



ELECTRONICS, INC.
 44 FARRAND STREET
 BLOOMFIELD, NJ 07003
 (973) 748-5089
<http://www.nteinc.com>

NTE3086 Optoisolator Dual NPN Transistor Output

Description:

The NTE3086 is a standard dual optocoupler consisting of a GaAs Infrared LED and a silicon photo-transistor per channel. This device is constructed with a high voltage insulation, double molded packaging process which offers 7.5KV withstand test capability.

Features:

- Two isolated Channels per Package
- 7500V Withstand Test Voltage
- CTR Minimum: 20%

Absolute Maximum Ratings:

Gallium Arsenide LED (Each Channel)

Power Dissipation ($T_A = +25^\circ\text{C}$), P_D	100mW
Derate Above 25°C	1.3mW/ $^\circ\text{C}$
Forward Current, I_F	
Continuous	60mA
Peak (Pulse Width 1 μ s, 300pps)	3A

Phototransistor (Each Channel)

Power Dissipation ($T_A = +25^\circ\text{C}$), P_D	150mW
Derate Above 25°C	2.0mW/ $^\circ\text{C}$
Collector–Emitter Breakdown Voltage, $V_{(BR)CEO}$	30V
Collector–Base Breakdown Voltage, $V_{(BR)CBO}$	80V
Emitter–Collector Breakdown Voltage, $V_{(BR)ECO}$	6V

Total Device

Power Dissipation ($T_A = +25^\circ\text{C}$), P_D	400mW
Derate Above 25°C	5.33mW/ $^\circ\text{C}$
Operating Temperature Range, T_{opr}	-55° to $+100^\circ\text{C}$
Storage Temperature Range, T_{stg}	-55° to $+150^\circ\text{C}$
Lead Temperature (During Soldering, 10sec Max), T_L	$+250^\circ\text{C}$

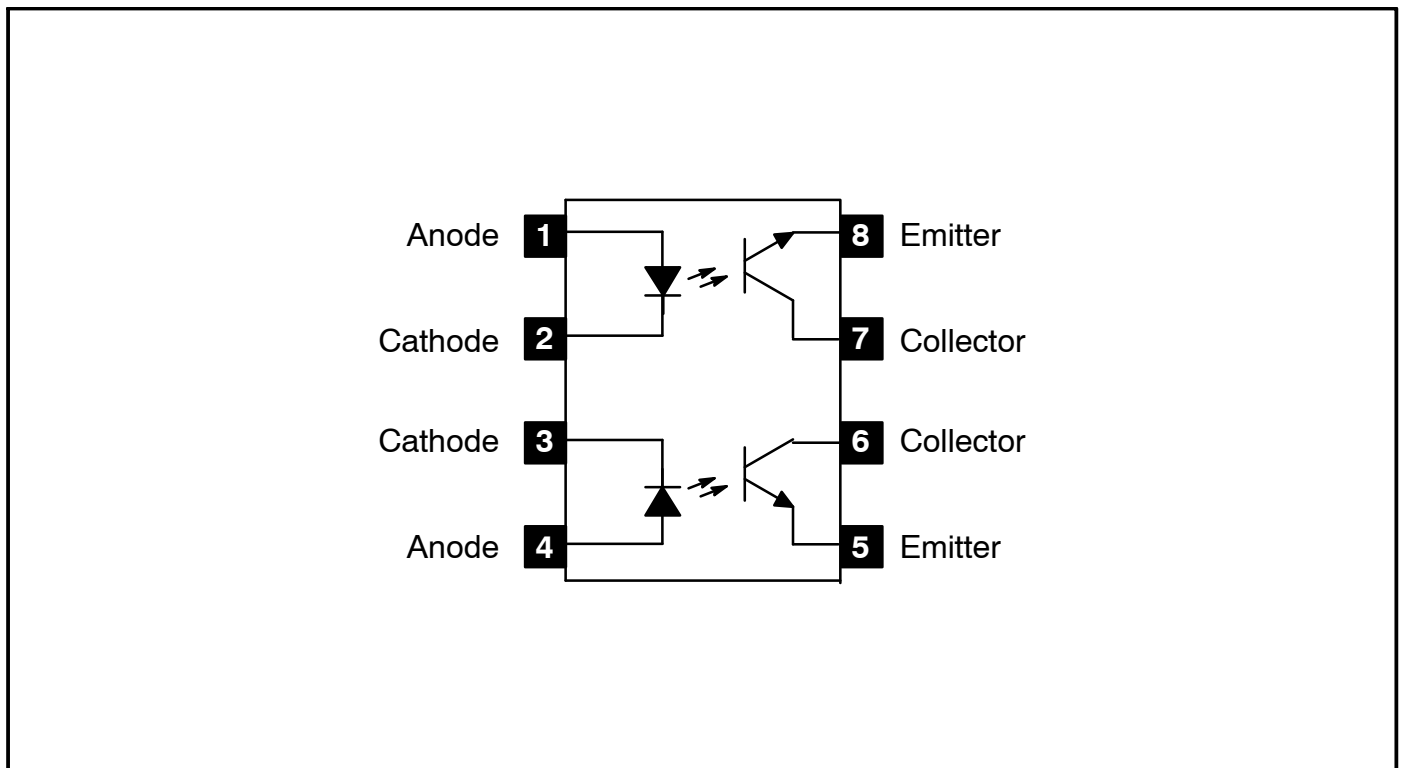
Electrical Characteristics: ($T_A = +25^\circ\text{C}$ unless otherwise specified)

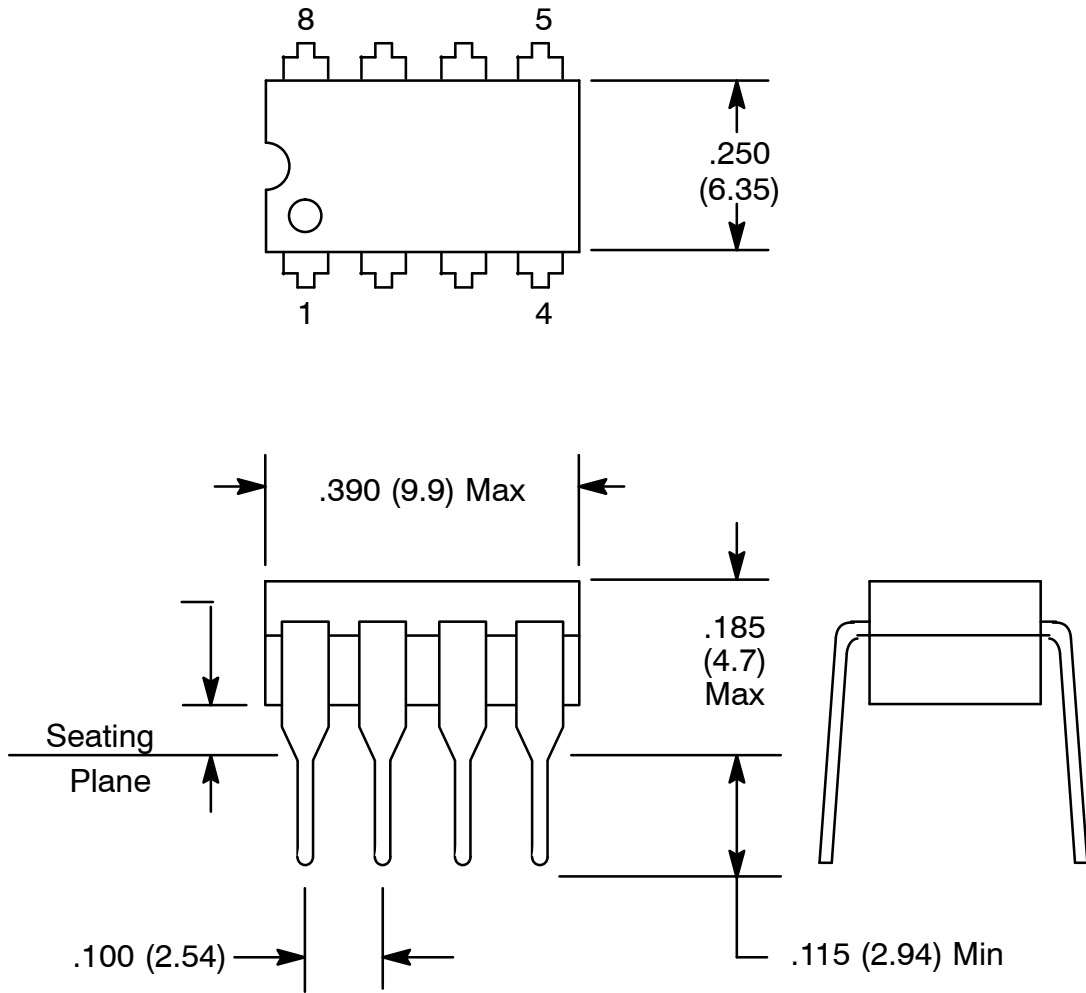
Parameter	Symbol	Test Conditions	Min	Typ	Max	Unit
Gallium Arsenide LED						
Forward Voltage	V_F	$I_F = 20\text{mA}$	–	1.1	1.5	V
Reverse Voltage	V_R	$I_R = 10 \text{ A}$	3	25	–	V
Reverse Current	I_R	$V_R = 3\text{V}$	–	–	10	A
Junction Capacitance		$V = 0, f = 1\text{MHz}$	–	80	–	pF

Electrical Characteristics (Cont'd): ($T_A = +25^\circ\text{C}$ unless otherwise specified)

Parameter	Symbol	Test Conditions	Min	Typ	Max	Unit
Phototransistor Detector						
Collector–Emitter Breakdown Voltage	$V_{(BR)CEO}$	$I_C = 100\text{ A}, I_F = 0$	30	85	–	V
Emitter–Collector Breakdown Voltage	$V_{(BR)ECO}$	$I_E = 100\text{ A}, I_F = 0$	6	13	–	V
Collector–Base Breakdown Voltage	$V_{(BR)CBO}$	$I_C = 10\text{ A}, I_F = 0$	80	–	–	V
Collector–Emitter Leakage Current	I_{CEO}	$V_{CE} = 10\text{V}, I_F = 0$	–	5	100	nA
Collector–Emitter Capacitance	C_{CE}	$V_{CE} = 0, I_F = 0$	–	8	–	pF
Coupled Electrical Characteristics						
Collector–Emitter Saturation Voltage	$V_{CE(sat)}$	$I_C = 2\text{mA}, I_F = 16\text{mA}$	–	0.2	0.4	V
DC Current Transfer Ratio	CTR	$V_{CE} = 10\text{V}, I_F = 10\text{mA}$	20	50	–	%
Isolation Voltage	$V_{(BR)(I-O)}$	$t = 1\text{sec}$	1500	2500	–	V
Isolation Resistance	$R_{(I-O)}$	$V_{I-O} = 500\text{V}$	10^{11}	10^{12}	–	$^\circ$
Input to Output Capacitance		$f = 1\text{MHz}$	–	0.4	–	pF
Bandwidth	BW	$I_C = 2\text{mA}, V_{CC} = 10\text{V}, R_L = 100^\circ$	–	150	–	kHz
Switching Times						
Non–Saturated Rise Time, Fall Time	t_r, t_f	$V_{CC} = 10\text{V}, I_C = 2\text{mA}, R_L = 100^\circ$, Note 1	–	2.4	–	s
Non–Saturated Rise Time, Fall Time	t_r, t_f	$V_{CC} = 10\text{V}, I_C = 2\text{mA}, R_L = 1\text{k}^\circ$, Note 1	–	15	–	s
Saturated Turn–On Time (From 5V to 0.8V)	$t_{on(sat)}$	$R_L = 2\text{k}^\circ, I_F = 40\text{mA}$	–	5	–	s
Saturated Turn–Off Time (From Saturation to 2V)	$t_{off(sat)}$	$R_L = 2\text{k}^\circ, I_F = 40\text{mA}$	–	25	–	s

Note 1. The frequency at which I_C is 3dB down from the 1kHz value.





NOTE: Pin1 locator dot is for reference ONLY.
 For additional Pin1 location options, [click here](#).

X-ON Electronics

Largest Supplier of Electrical and Electronic Components

Click to view similar products for [Transistor Output Optocouplers](#) category:

Click to view products by [NTE manufacturer](#):

Other Similar products are found below :

[LTV-814S-TA](#) [LTV-824HS](#) [LTV-852S](#) [66095-001](#) [MCT6-X007](#) [MOC8101-X017T](#) [PS2561-1-A](#) [PS2561A-1-W-A](#) [PS2561B-1-L-A](#)
[PS2561L-1-V-A](#) [MRF658](#) [IL755-1X007](#) [ILD74-X001](#) [ILQ615-3X016](#) [LDA102S](#) [LDA110S](#) [SFH615AGR-X007T](#) [PS2561-1-V-W-A](#)
[PS2561AL-1-V-A](#) [PS2561L1-1-L-A](#) [PS2701A-1-F3-P-A](#) [PS2801-1-F3-P-A](#) [PS2911-1-L-AX](#) [CNY17-4X001](#) [CNY17-4X017](#) [CNY17F-](#)
[1X007](#) [CNY17F-2X017](#) [CNY17F-4X001](#) [CNY17G-1](#) [LTV-214](#) [LTV-702V](#) [LTV-702VB](#) [LTV-733S](#) [LTV-816S-TA](#) [LTV-825S](#) [TCET2100](#)
[TLP187\(TPL,E\(T](#) [4N25-X007T](#) [IL215AT](#) [ILD615-1X007](#) [ILQ2-X007](#) [VOS615A-2T](#) [WPPC-A11066AA](#) [WPPC-A11066AD](#) [WPPC-](#)
[A11084ASS](#) [WPPC-A21068AA](#) [WPPC-D11066AA](#) [WPPC-D21068ED](#) [WPPC-D410616EA](#) [WPPC-D410616ED](#)