



ELECTRONICS, INC.
 44 FARRAND STREET
 BLOOMFIELD, NJ 07003
 (973) 748-5089
<http://www.nteinc.com>

NTE3144 thru NTE3147 Light Emitting Diode – 5mm

Features:

- All Plastic Mold Type ^{w/}Colored Diffused Lens:
 - NTE3144 (High Efficiency Red, AlGaP/GaAs)
 - NTE3145 (Yellow Green, GaInN/GaN)
 - NTE3146 (Yellow, AlInGaP/GaAs)
 - NTE3147 (Orange, AlInGaP/GaAs)

Absolute Maximum Ratings: ($T_A = +25^\circ\text{C}$ unless otherwise specified)

Power Dissipation, P_D	
NTE3144	100mW
NTE3145	84mW
NTE3146, NTE3147	90mW
Continuous Forward Current, I_F	
NTE3144	20mA
NTE3145, NTE3146	25mA
NTE3147	30mA
Peak Forward Current (0.1 ms pulse width, 1/10 duty cycle), I_{FM}	
NTE3144	100mA
All Others	50mA
Reverse Voltage, V_R	
5V	
LED Junction Temperature, T_j	
+100°C	
Operating Temperature Range, T_{opr}	
NTE3144	-40° to +85°C
All Others	-25° to +85°C
Storage Temperature Range, T_{stg}	
-40° to +100°C	
Lead Temperature (During Soldering, 3sec max, 1.6mm below package base), T_L	
+260°C	

Electrical Characteristics: ($T_A = +25^\circ\text{C}$ unless otherwise specified)

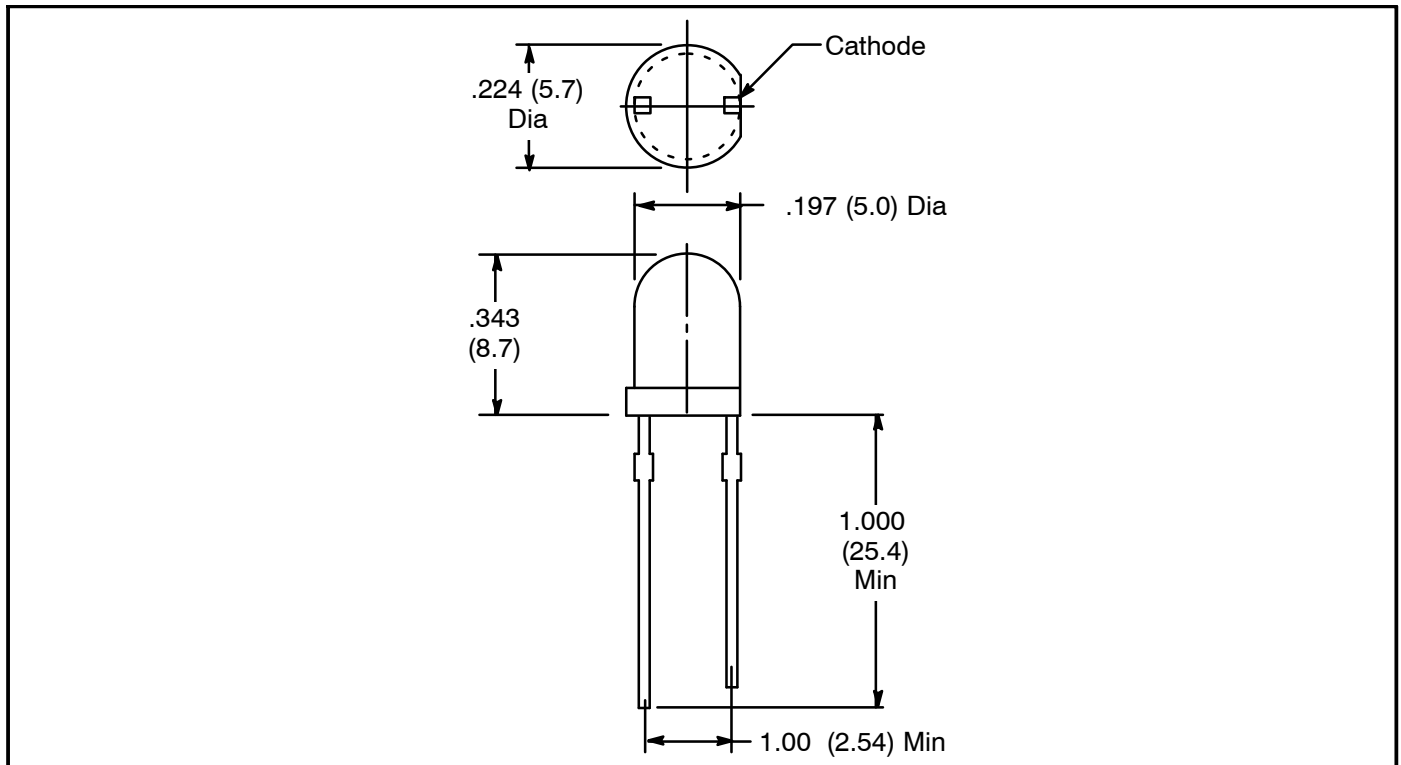
Parameter	Symbol	Test Conditions	Min	Typ	Max	Unit
View Angle of Half Power NTE3144	2θ1/2	$I_F = 20\text{mA}$	-	40	-	Degree
			-	30	-	Degree
Forward Voltage NTE3144	V_F	$I_F = 20\text{mA}$	-	2.00	2.50	V
			-	2.15	2.80	V
			-	2.10	2.80	V
			-	2.05	2.80	V
Reverse Current	I_R	$V_R = 5\text{V}$	-	-	10	µA

Note 1. Tolerance: 30%, measured using Exeltron 2001.

Electrical Characteristics (Cont'd): ($T_A = +25^\circ\text{C}$ unless otherwise specified)

Parameter	Symbol	Test Conditions	Min	Typ	Max	Unit
Luminous Intensity NTE3144	I_V	$I_F = 20\text{mA}$, Note 1	80	100	-	mcd
NTE3145			50	80	-	mcd
NTE3146			35	80	-	mcd
NTE3147			40	60	-	mcd
Peak Emission Wavelength NTE3144	λ_p	$I_F = 20\text{mA}$	630	-	635	nm
NTE3145			-	570	-	nm
NTE3146			-	589	-	nm
NTE3147			-	625	-	nm
Dominate Wave Length NTE3145	$\lambda_d(\text{HUE})$	$I_F = 20\text{mA}$, Note 2	-	567	-	nm
NTE3146			-	585	-	nm
NTE3147			-	618	-	nm
Spectrum Width of Half Valve NTE3144	$\Delta\lambda$	$I_F = 20\text{mA}$	-	20	-	nm
NTE3145			-	30	-	nm
NTE3146			-	35	-	nm
NTE3147			-	45	-	nm
Terminal Capacitance NTE3145, NTE3146	C_t	$V = 0\text{V}$, $F = 1\text{MHz}$	-	7	-	pF
NTE3147			-	6	-	pF
Response Frequency	F_C		-	4	-	MHz

Note 2. The dominate wavelength, λ_d , is derived from the CIE Chromaticity Diagram and represents the color of the device.



X-ON Electronics

Largest Supplier of Electrical and Electronic Components

Click to view similar products for [Standard LEDs - Through Hole category](#):

Click to view products by [NTE manufacturer](#):

Other Similar products are found below :

[LTL-10234W](#) [LTL-10254W](#) [LTL-1214A](#) [LTL-2231AT](#) [LTL-3251A](#) [LTL-4262N](#) [LTL-433P](#) [LTL-5234](#) [LTL87HTBK](#) [LTW-87HD4B](#)
[HLMP-3507-D00B1](#) [HLMP-EL30-PS0DD](#) [1L0532V23G0TD001](#) [NSPW500CS](#) [NTE30036](#) [NTE30044](#) [NTE30059](#) [LD CQDP-1U3U-W5-1-K](#) [LO566UHR3-70G-A3](#) [LP379PPG1C0G0300001](#) [SLX-LX3044GD](#) [SLX-LX3044ID](#) [SLX-LX3044YD](#) [1.90690.3330000](#) [SSS-LX4673ID-410B](#) [1L0532Y24I0TD001](#) [264-7SYGD/S530-E2](#) [HLMP1385](#) [LTL-10224W](#) [LTL-1224A](#) [LTL-1234A](#) [LTL-1BEHJ-012](#) [LTL-2251AT](#) [LTL-307YE-012](#) [LTL-403HR](#) [LTL-4222](#) [LU7-E-B](#) [4380H1](#) [TLHY44K1L2](#) [HLMP-3962-F0002](#) [HLMP-GG15-R0000](#) [323-2SURD/S530-A3](#)
[L53SRC/E-Z](#) [L-7679C1ZGC](#) [4302T1-5V](#) [4306D23](#) [4363D1/5](#) [WP1503SRC/J4](#) [WP153GDT](#) [WP153YDT](#)