



ELECTRONICS, INC.
 44 FARRAND STREET
 BLOOMFIELD, NJ 07003
 (973) 748-5089
<http://www.nteinc.com>

NTE360 Silicon NPN Transistor RF Power Output $P_O = 40W @ 175MHz$

Description:

The NTE360 is designed primarily for wideband large-signal amplifier stages in the 125–175MHz frequency range.

Features:

- Specified 28 Volt, 175MHz Characteristics:
 Output Power = 40 Watts
 Minimum Gain = 7.6dB
 Efficiency = 60%
- Characterized from 125 to 175MHz
- Includes Series Equivalent Impedances

Absolute Maximum Ratings:

Collector–Emitter Voltage, V_{CEO}	35V
Collector–Base Voltage, V_{CB}	65V
Emitter–Base Voltage, V_{EB}	4V
Collector Current–Continuous, I_C	5A
Total Device Dissipation ($T_C = +25^\circ C$), P_D	60W
Derate above $25^\circ C$	342mW/ $^\circ C$
Operating Junction Temperature Range, T_J	-65° to $+200^\circ C$
Storage Temperature Range, T_{stg}	-65° to $+200^\circ C$

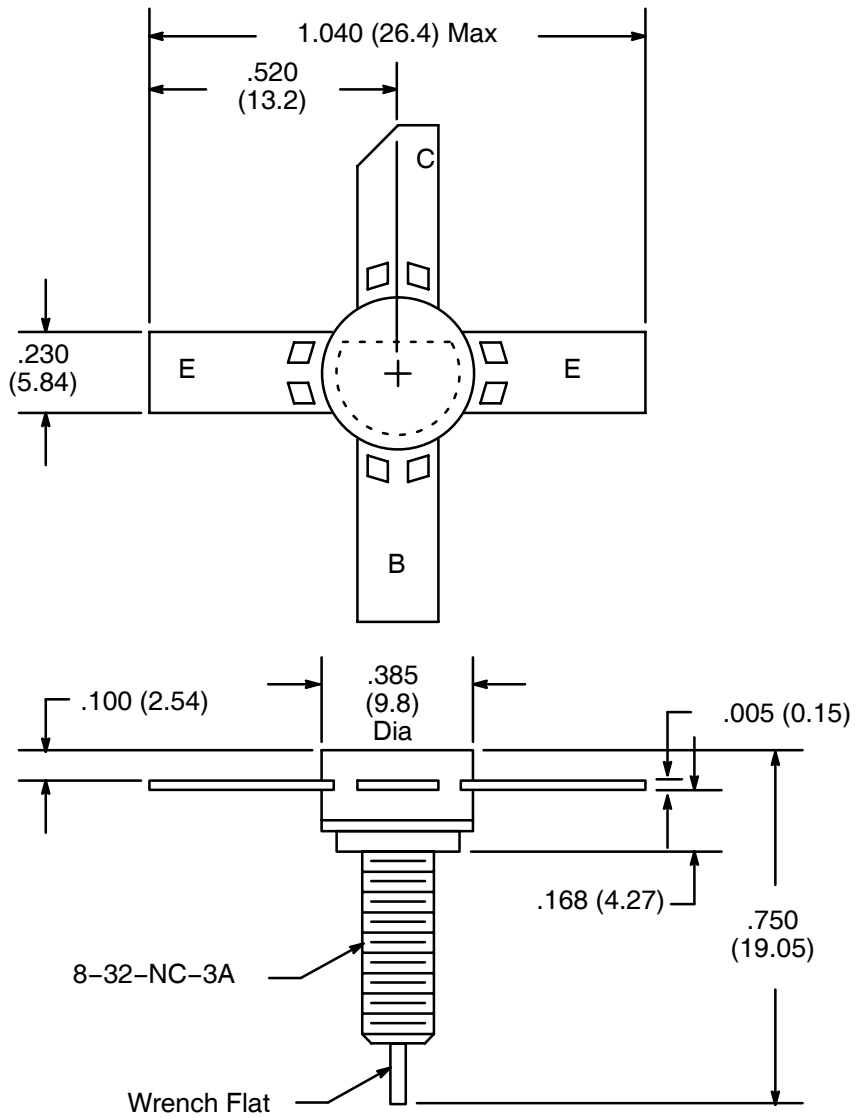
Electrical Characteristics: ($T_C = +25^\circ C$ unless otherwise specified)

Parameter	Symbol	Test Conditions	Min	Typ	Max	Unit
OFF Characteristics						
Collector–Emitter Breakdown Voltage	$V_{(BR)CEO}$	$I_C = 200mA, I_B = 0$, Note 1	35	–	–	V
	$V_{(BR)CES}$	$I_C = 200mA, V_{BE} = 0$, Note 1	65	–	–	V
Emitter–Base Breakdown Voltage	$V_{(BR)EBO}$	$I_E = 10mA, I_C = 0$	4	–	–	V
Collector Cutoff Current	I_{CBO}	$V_{CB} = 30V, I_E = 0$	–	–	1	mA
On Characteristics						
DC Current Gain	h_{FE}	$I_C = 500mA, V_{CE} = 5.0V$	5.0	–	–	–
Dynamic Characteristics						
Output Capacitance	C_{ob}	$V_{CB} = 30V, I_E = 0, f = 0.1$ to $1.0MHz$	–	45	65	pF

Note 1 Pulsed through 25mH inductor.

Electrical Characteristics (Cont'd): ($T_C = +25^\circ\text{C}$ unless otherwise specified)

Parameter	Symbol	Test Conditions	Min	Typ	Max	Unit
Functional Test						
Common-Emitter Amplifier Power Gain	G_{PE}	$P_{OUT} = 40\text{ W}$, $V_{CE} = 28\text{ V}$, $f = 175\text{ MHz}$	7.6	8.1	-	dB
Collector Efficiency	η	$P_{OUT} = 40\text{ W}$, $V_{CE} = 28\text{ V}$, $f = 175\text{ MHz}$	60	-	-	%



X-ON Electronics

Largest Supplier of Electrical and Electronic Components

Click to view similar products for [Bipolar Transistors - BJT category](#):

Click to view products by [NTE manufacturer](#):

Other Similar products are found below :

[619691C](#) [MCH4017-TL-H](#) [MJ15024/WS](#) [MJ15025/WS](#) [BC546/116](#) [BC556/FSC](#) [BC557/116](#) [BSW67A](#) [HN7G01FU-A\(T5L,F,T](#)
[NJVMJD148T4G](#) [NSVMMBT6520LT1G](#) [NTE187A](#) [NTE195A](#) [NTE2302](#) [NTE2330](#) [NTE2353](#) [NTE316](#) [IMX9T110](#) [NTE63](#) [NTE65](#)
[C4460](#) [SBC846BLT3G](#) [2SA1419T-TD-H](#) [2SA1721-O\(TE85L,F\)](#) [2SA1727TLP](#) [2SA2126-E](#) [2SB1202T-TL-E](#) [2SB1204S-TL-E](#) [2SC5488A-](#)
[TL-H](#) [2SD2150T100R](#) [SP000011176](#) [FMC5AT148](#) [2N2369ADCSM](#) [2SB1202S-TL-E](#) [2SC2412KT146S](#) [2SC4618TLN](#) [2SC5490A-TL-H](#)
[2SD1816S-TL-E](#) [2SD1816T-TL-E](#) [CMXT2207 TR](#) [CPH6501-TL-E](#) [MCH4021-TL-E](#) [BC557B](#) [TTC012\(Q\)](#) [BULD128DT4](#) [JANTX2N3810](#)
[Jantx2N5416](#) [US6T6TR](#) [KSF350](#) [068071B](#)