

NTE39
Silicon PNP Transistor
Line-Operated Series Pass/Switching Regulator
(Compl to NTE157)

Description:

The NTE39 is a silicon PNP transistor in a TO126 type package designed for use in line-operated applications such as low power, line-operated series pass and switching regulators requiring PNP capability.

Features:

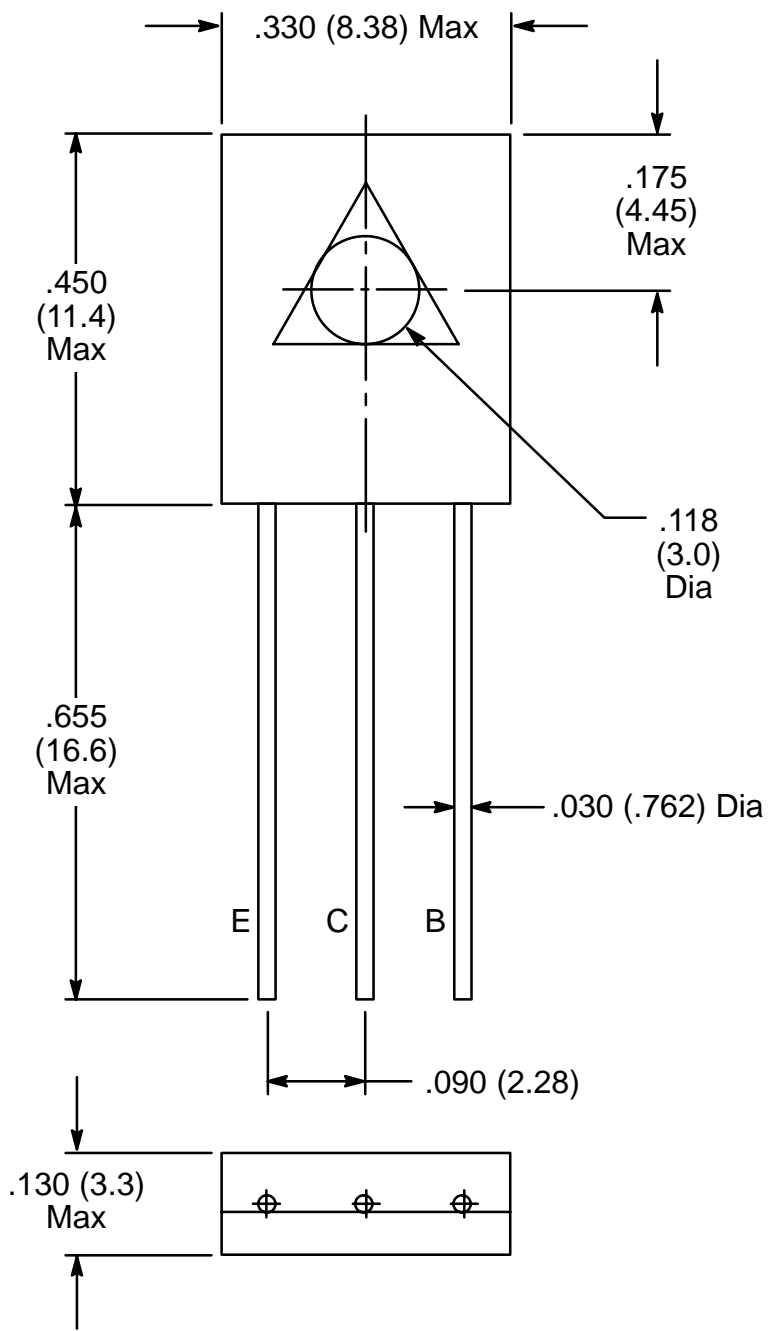
- High Collector-Emitter Sustaining Voltage: $V_{CEO(sus)} = 300V @ I_C = 1.0mA$
- Excellent DC Current Gain: $h_{FE} = 30 \text{ to } 240 @ I_C = 50mA$

Absolute Maximum Ratings:

Collector-Emitter Voltage, V_{CEO}	300V
Emitter-Base Voltage, V_{EB}	3V
Continuous Collector Current, I_C	500mA
Total Power Dissipation ($T_C = +25^\circ C$), P_D	20W
Derate Above $25^\circ C$	0.16W/ $^\circ C$
Operating Junction Temperature Range, T_J	-65° to $+150^\circ C$
Storage Temperature Range, T_{stg}	-65° to $+150^\circ C$
Thermal Resistance, Junction to case, $R_{\theta JC}$	6.25 $^\circ C/W$

Electrical Characteristics: ($T_C = +25^\circ C$ unless otherwise specified)

Parameter	Symbol	Test Conditions	Min	Typ	Max	Unit
OFF Characteristics						
Collector-Emitter Sustaining Voltage	$V_{CEO(sus)}$	$I_C = 1.0mA, I_B = 0$	300	-	-	V
Collector Cutoff Current	I_{CEO}	$V_{CB} = 300V, I_E = 0$	-	-	100	μA
Emitter Cutoff Current	I_{EBO}	$V_{EB} = 3V, I_C = 0$	-	-	100	μA
ON Characteristics						
DC Current Gain	h_{FE}	$I_C = 50mA, V_{CE} = 10V$	30	-	240	



X-ON Electronics

Largest Supplier of Electrical and Electronic Components

Click to view similar products for [Bipolar Transistors - BJT category](#):

Click to view products by [NTE manufacturer](#):

Other Similar products are found below :

[619691C](#) [MCH4017-TL-H](#) [MJ15024/WS](#) [MJ15025/WS](#) [BC546/116](#) [BC556/FSC](#) [BC557/116](#) [BSW67A](#) [HN7G01FU-A\(T5L,F,T](#)
[NJVMJD148T4G](#) [NSVMMBT6520LT1G](#) [NTE187A](#) [NTE195A](#) [NTE2302](#) [NTE2330](#) [NTE2353](#) [NTE316](#) [IMX9T110](#) [NTE63](#) [NTE65](#)
[C4460](#) [SBC846BLT3G](#) [2SA1419T-TD-H](#) [2SA1721-O\(TE85L,F\)](#) [2SA1727TLP](#) [2SA2126-E](#) [2SB1202T-TL-E](#) [2SB1204S-TL-E](#) [2SC5488A-](#)
[TL-H](#) [2SD2150T100R](#) [SP000011176](#) [FMC5AT148](#) [2N2369ADCSM](#) [2SB1202S-TL-E](#) [2SC2412KT146S](#) [2SC4618TLN](#) [2SC5490A-TL-H](#)
[2SD1816S-TL-E](#) [2SD1816T-TL-E](#) [CMXT2207 TR](#) [CPH6501-TL-E](#) [MCH4021-TL-E](#) [BC557B](#) [TTC012\(Q\)](#) [BULD128DT4](#) [JANTX2N3810](#)
[Jantx2N5416](#) [US6T6TR](#) [KSF350](#) [068071B](#)