



ELECTRONICS, INC.
 44 FARRAND STREET
 BLOOMFIELD, NJ 07003
 (973) 748-5089
<http://www.nteinc.com>

NTE459

N-Channel Silicon JFET Transistor AF Amplifier/Chopper/Switch TO72 Type Package

Absolute Maximum Ratings: ($T_A = +25^\circ\text{C}$ unless otherwise specified)

Drain-Source Voltage, V_{DS}	50V
Drain-Gate Voltage, V_{DG}	50V
Gate-Source Voltage, V_{GS}	-50V
Drain Current, I_D	10mA
Total Device Dissipation ($T_A = +25^\circ\text{C}$), P_D	300mW
Derate Above 25°C	2mW/ $^\circ\text{C}$
Operating Junction Temperature, T_J	+175 $^\circ\text{C}$
Storage Temperature Range, T_{stg}	-55 $^\circ$ to +200 $^\circ\text{C}$

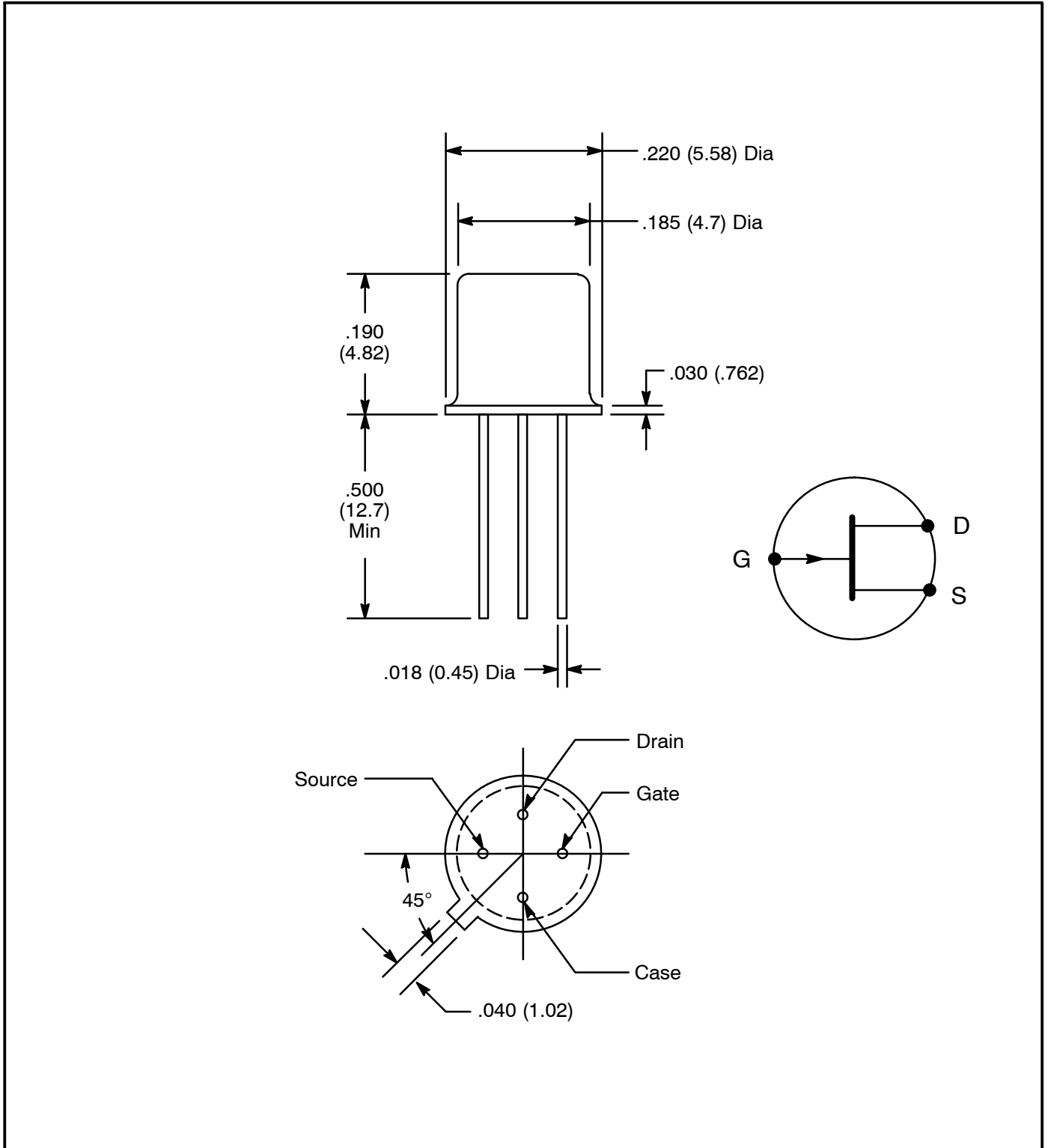
Electrical Characteristics: ($T_A = +25^\circ\text{C}$ unless otherwise specified)

Parameter	Symbol	Test Conditions	Min	Typ	Max	Unit
OFF Characteristics						
Gate-Source Breakdown Voltage	$V_{(BR)GSS}$	$I_G = -1^\circ\text{A}$, $V_{DS} = 0$	-50	-	-	V
Gate Reverse Current	I_{GSS}	$V_{GS} = -30\text{V}$, $V_{DS} = 0$	-	-	-0.1	nA
		$V_{GS} = -30\text{V}$, $V_{DS} = 0$, $T_A = +150^\circ\text{C}$	-	-	-100	nA
Gate-Source Cutoff Voltage	$V_{GS(off)}$	$I_D = 0.5\text{nA}$, $V_{DS} = 15\text{V}$	-	-	-6	V
Gate-Source Voltage	V_{GS}	$I_D = 200^\circ\text{A}$, $V_{DS} = 15\text{V}$	-1	-	-4	V
ON Characteristics						
Zero-Gate-Voltage Drain Current	I_{DSS}	$V_{DS} = 15\text{V}$, $V_{GS} = 0$, Note 1	2	-	10	mA
Small-Signal Characteristics						
Forward Transfer Admittance	$ y_{fs} $	$V_{DS} = 15\text{V}$, $V_{GS} = 0$, $f = 1\text{kHz}$, Note 1	3000	-	6500	$^\circ\text{mho}$
		$V_{DS} = 15\text{V}$, $V_{GS} = 0$, $f = 100\text{MHz}$	3000	-	-	$^\circ\text{mho}$
Output Admittance	$ y_{os} $	$V_{DS} = 15\text{V}$, $V_{GS} = 0$, $f = 1\text{kHz}$, Note 1	-	-	20	$^\circ\text{mho}$
Input Capacitance	C_{iss}	$V_{DS} = 15\text{V}$, $V_{GS} = 0$, $f = 1\text{MHz}$	-	-	6	pF
Reverse Transfer Capacitance	C_{rss}	$V_{DS} = 15\text{V}$, $V_{GS} = 0$, $f = 1\text{MHz}$	-	-	3	pF

Note 1. Pulse Test: Pulse Width $\leq 100\text{ms}$, Duty Cycle $\leq 10\%$.

Electrical Characteristics (Cont'd): ($T_A = +25^\circ\text{C}$ unless otherwise specified)

Parameter	Symbol	Test Conditions	Min	Typ	Max	Unit
Functional Characteristics						
Noise Figure	NF	$V_{DS} = 15\text{V}, V_{GS} = 0, R_G = 1\text{M}\Omega,$ $f = 10\text{Hz}, \text{BW} = 5\text{Hz}$	-	-	5	dB
Equivalent Short-Circuit Input Noise Voltage	e_n	$V_{DS} = 15\text{V}, V_{GS} = 0, f = 10\text{Hz},$ $\text{BW} = 5\text{Hz}$	-	-	200	$\text{nV}/\text{Hz}^{1/2}$



X-ON Electronics

Largest Supplier of Electrical and Electronic Components

Click to view similar products for [MOSFET](#) category:

Click to view products by [NTE](#) manufacturer:

Other Similar products are found below :

[614233C](#) [648584F](#) [MCH3443-TL-E](#) [MCH6422-TL-E](#) [FDPF9N50NZ](#) [FW216A-TL-2W](#) [FW231A-TL-E](#) [APT5010JVR](#) [NTNS3A92PZT5G](#)
[IRF100S201](#) [JANTX2N5237](#) [2SK2464-TL-E](#) [2SK3818-DL-E](#) [FCA20N60_F109](#) [FDZ595PZ](#) [STD6600NT4G](#) [FSS804-TL-E](#) [2SJ277-DL-E](#)
[2SK1691-DL-E](#) [2SK2545\(Q,T\)](#) [405094E](#) [423220D](#) [MCH6646-TL-E](#) [TPCC8103,L1Q\(CM](#) [367-8430-0972-503](#) [VN1206L](#) [424134F](#)
[026935X](#) [051075F](#) [SBVS138LT1G](#) [614234A](#) [715780A](#) [NTNS3166NZT5G](#) [751625C](#) [873612G](#) [IRF7380TRHR](#) [IPS70R2K0CEAKMA1](#)
[RJK60S3DPP-E0#T2](#) [RJK60S5DPK-M0#T0](#) [APT5010JVFR](#) [APT12031JFLL](#) [APT12040JVR](#) [DMN3404LQ-7](#) [NTE6400](#) [JANTX2N6796U](#)
[JANTX2N6784U](#) [JANTXV2N5416U4](#) [SQM110N05-06L-GE3](#) [SIHF35N60E-GE3](#) [2SK2614\(TE16L1,Q\)](#)