



ELECTRONICS, INC.  
 44 FARRAND STREET  
 BLOOMFIELD, NJ 07003  
 (973) 748-5089  
<http://www.nteinc.com>

## NTE460 Silicon P-Channel JFET Transistor AF Amp TO72 Type Package

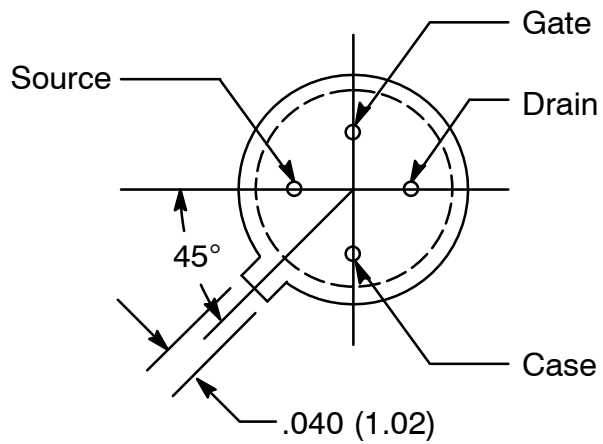
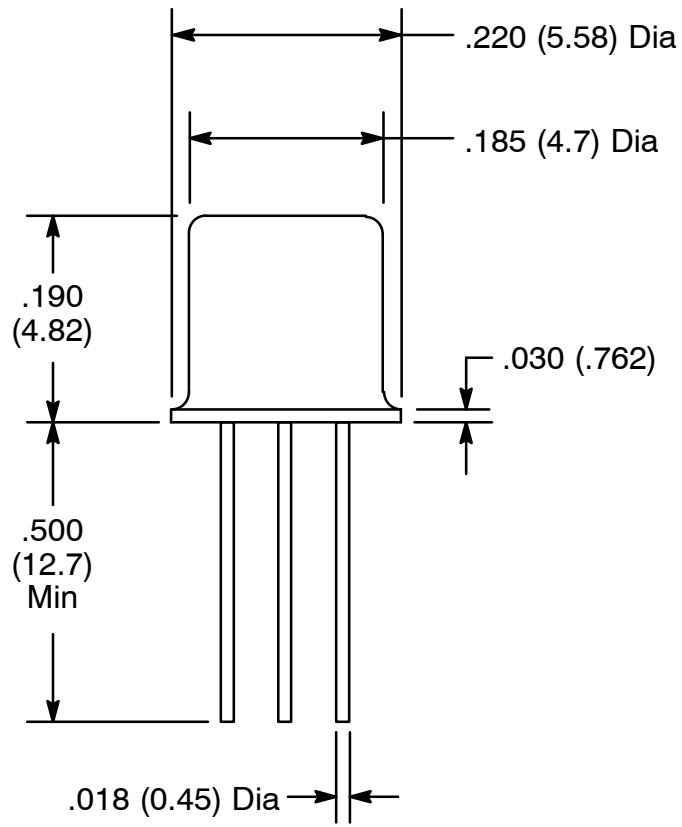
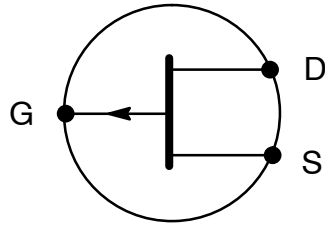
**Absolute Maximum Ratings:**

Drain-Gate Voltage, $V_{DG}$ .....	20V
Reverse Gate-Source Voltage, $V_{GSR}$ .....	20V
Gate Current, $I_G$ .....	10mA
Total Device Dissipation ( $T_A = +25^\circ C$ ), $P_D$ .....	0.3W
Derate above $25^\circ C$ .....	1.7mW/ $^\circ C$
Storage Temperature Range, $T_{stg}$ .....	$-65^\circ$ to $+200^\circ C$

**Electrical Characteristics:** ( $T_A = +25^\circ C$  unless otherwise specified)

Parameter	Symbol	Test Conditions	Min	Typ	Max	Unit
<b>OFF Characteristics</b>						
Gate-Source Breakdown Voltage	$V_{(BR)GSS}$	$I_G = 10^\circ A, V_{DS} = 0$	20	-	-	V
Gate Reverse Current	$I_{GSS}$	$V_{GS} = 10V, V_{DS} = 0$	-	-	10	nA
		$V_{GS} = 10V, V_{DS} = 0, T_A = +150^\circ C$	-	-	10	$^\circ A$
<b>ON Characteristics</b>						
Zero-Gate-Voltage Drain Current	$I_{DSS}$	$V_{DS} = -10V, V_{GS} = 0, \text{Note 1}$	2.0	-	6.0	mA
Gate-Source Voltage	$V_{GS}$	$V_{DG} = -15V, I_D = 10^\circ A$	-	-	6.0	V
Drain-Source Resistance	$r_{DS}$	$I_D = 100^\circ A, V_{GS} = 0$	-	-	800	$\leq$
<b>Small-Signal Characteristics</b>						
Forward Transfer Admittance	$ y_{fs} $	$V_{DS} = 10V, I_D = 2mA, f = 1kHz, \text{Note 1}$	1500	-	3000	$^\circ$ mhos
		$V_{DS} = 10V, I_D = 2mA, f = 10MHz, \text{Note 1}$	1350	-	-	$^\circ$ mhos
Output Admittance	$ y_{os} $	$V_{DS} = 10V, I_D = 2mA, f = 1kHz$	-	-	40	$^\circ$ mhos
Reverse Transfer Conductance	$ y_{rs} $	$V_{DS} = 10V, I_D = 2mA, f = 1kHz$	-	-	0.1	$^\circ$ mhos
Input Conductance	$ y_{is} $	$V_{DS} = 10V, I_D = 2mA, f = 1kHz$	-	-	0.2	$^\circ$ mhos
Input Capacitance	$C_{iss}$	$V_{DS} = 10V, V_{GS} = 1V, f = 1MHz$	-	-	20	pF
<b>Functional Characteristics</b>						
Noise Figure	NF	$V_{DS} = -5V, I_D = 1mA, R_g = 1M\leq, f = 1kHz$	-	-	3.0	dB

Note 1. Pulse Test: PulseWidth  $\leq$  630ms, Duty Cycle  $\leq$  10%.



## X-ON Electronics

Largest Supplier of Electrical and Electronic Components

*Click to view similar products for [MOSFET](#) category:*

*Click to view products by [NTE](#) manufacturer:*

Other Similar products are found below :

[614233C](#) [648584F](#) [MCH3443-TL-E](#) [MCH6422-TL-E](#) [FDPF9N50NZ](#) [FW216A-TL-2W](#) [FW231A-TL-E](#) [APT5010JVR](#) [NTNS3A92PZT5G](#)  
[IRF100S201](#) [JANTX2N5237](#) [2SK2464-TL-E](#) [2SK3818-DL-E](#) [FCA20N60\\_F109](#) [FDZ595PZ](#) [STD6600NT4G](#) [FSS804-TL-E](#) [2SJ277-DL-E](#)  
[2SK1691-DL-E](#) [2SK2545\(Q,T\)](#) [405094E](#) [423220D](#) [MCH6646-TL-E](#) [TPCC8103,L1Q\(CM](#) [367-8430-0972-503](#) [VN1206L](#) [424134F](#)  
[026935X](#) [051075F](#) [SBVS138LT1G](#) [614234A](#) [715780A](#) [NTNS3166NZT5G](#) [751625C](#) [873612G](#) [IRF7380TRHR](#) [IPS70R2K0CEAKMA1](#)  
[RJK60S3DPP-E0#T2](#) [RJK60S5DPK-M0#T0](#) [APT5010JVFR](#) [APT12031JFLL](#) [APT12040JVR](#) [DMN3404LQ-7](#) [NTE6400](#) [JANTX2N6796U](#)  
[JANTX2N6784U](#) [JANTXV2N5416U4](#) [SQM110N05-06L-GE3](#) [SIHF35N60E-GE3](#) [2SK2614\(TE16L1,Q\)](#)