



ELECTRONICS, INC.
 44 FARRAND STREET
 BLOOMFIELD, NJ 07003
 (973) 748-5089
<http://www.nteinc.com>

NTE517 Silicon High Voltage Plastic Rectifier for Industrial and Microwave Oven

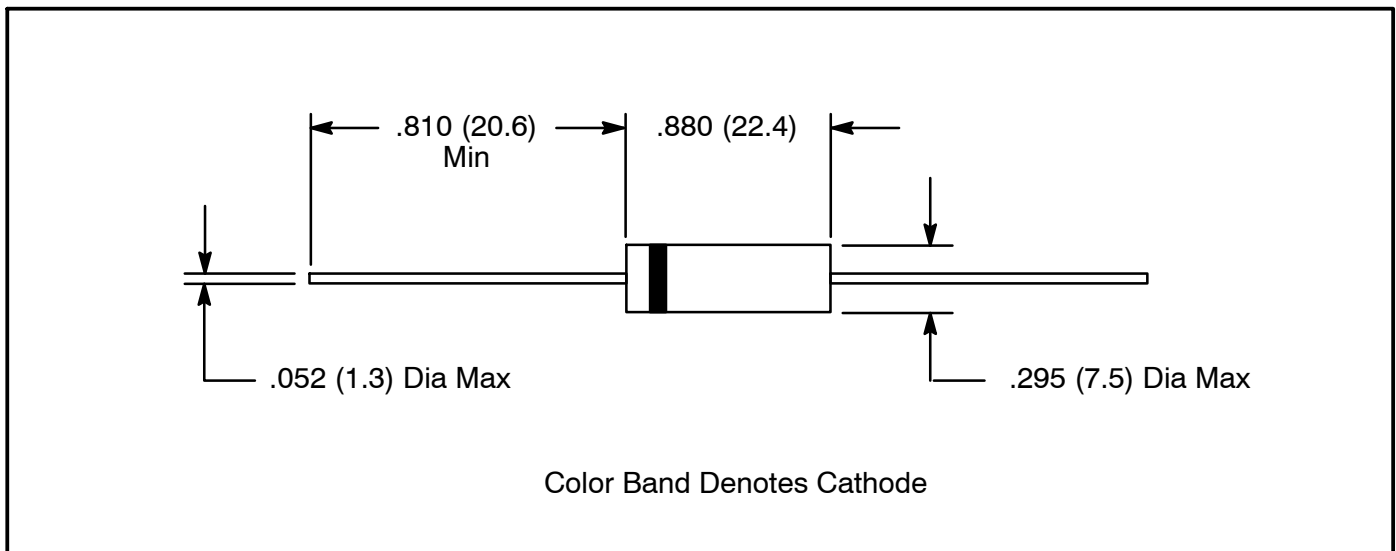
Features:

- Controlled Avalanche Characteristic Combined with the Ability to Dissipate Reverse Power
- Low Forward Voltage Drop
- Typical I_R less than $0.1\mu A$
- High Overload Surge Capacity

Maximum Ratings and Electrical Characteristics: ($T_A = +25^\circ C$ unless otherwise specified, Single phase, half wave, 60Hz, resistive or inductive load. For capacitive load derate current by 20%.)

Maximum Recurrent Peak Reverse Voltage, P_{RV}	15000V
Maximum RMS Voltage,	10500V
Maximum DC Blocking Voltage,	15000V
Maximum Average Forward Rectified Current ($T_A = +60^\circ C$), I_O	550mA
Peak Forward Surge Current, $I_{FM(Surge)}$ (8.3ms Single Half Sine-Wave Superimposed on Rated Load)	50A
Maximum Peak Reverse Surge Current, $I_{FRM(Surge)}$	100mA
Maximum Instantaneous Forward Voltage ($I_O = 550mA$), V_F	14V
Maximum DC Reverse Current (at Rated Blocking Voltage), I_R	$5\mu A$
Operating Junction Temperature Range, T_J	-65° to $+150^\circ C$
Storage Temperature Range, T_{stg}	-65° to $+150^\circ C$
Maximum Thermal Resistance, Junction-to-Ambient (Note 1), R_{thJA}	$18^\circ C/W$
Lead Temperature (During Soldering, 3/8" from body, 10sec), T_L	$+260^\circ C$
Reverse Recovery Time	100nS

Note 1. Thermal Resistance from Junction to Ambient at .375" (9.5mm) lead lengths.



X-ON Electronics

Largest Supplier of Electrical and Electronic Components

Click to view similar products for [nte manufacturer](#):

Other Similar products are found below :

[747](#) [797](#) [868](#) [1724](#) [NEH680M50FE](#) [NEHH1.0M450CB](#) [NTE48](#) [NTE526A](#) [228A](#) [231](#) [954](#) [2023](#) [510](#) [R04-11A30-120](#) [04-SLPE3750A](#)
[5615](#) [591](#) [7056](#) [7448](#) [NEH.10M50AA](#) [NEH2.2M63AA](#) [NEH330M35DD](#) [NEH33M10AA](#) [NEV.22M100AA](#) [NTE528](#) [NTE542](#) [NTE74154](#)
[04-SCBW25L-BK](#) [04-SCBW32L-BK](#) [04-SCW10C-BK](#) [04-SCBW19L-GR](#) [04-SCW19L-WH](#) [04-SCW19L-OR](#) [04-SCW38L-WH](#) [04-](#)
[SCBW50L-OR](#) [04-SCBW50L-GR](#) [04-SCW10C-GR](#) [04-SCW10C-OR](#) [04-SCBW32L-GR](#) [04-SCBW32L-WH](#) [04-SCBW32L-OR](#) [04-](#)
[SCBW6C-WH](#) [04-SCBW6C-GR](#) [04-SCBW6C-OR](#) [04-SCBW25L-GR](#) [04-SCBW25L-WH](#) [04-ESNF-500L](#) [04-SL.625-R-5](#) [04-SCW5C-WH](#)
[04-ESNF-1000L](#)