

## NTE555 Silicon Pin Diode UHF/VHF Detector

**Description:**

The NTE555 is designed primarily for high-efficiency UHF and VHF detector applications. It is readily adaptable to many other fast switching RF and digital applications.

**Features:**

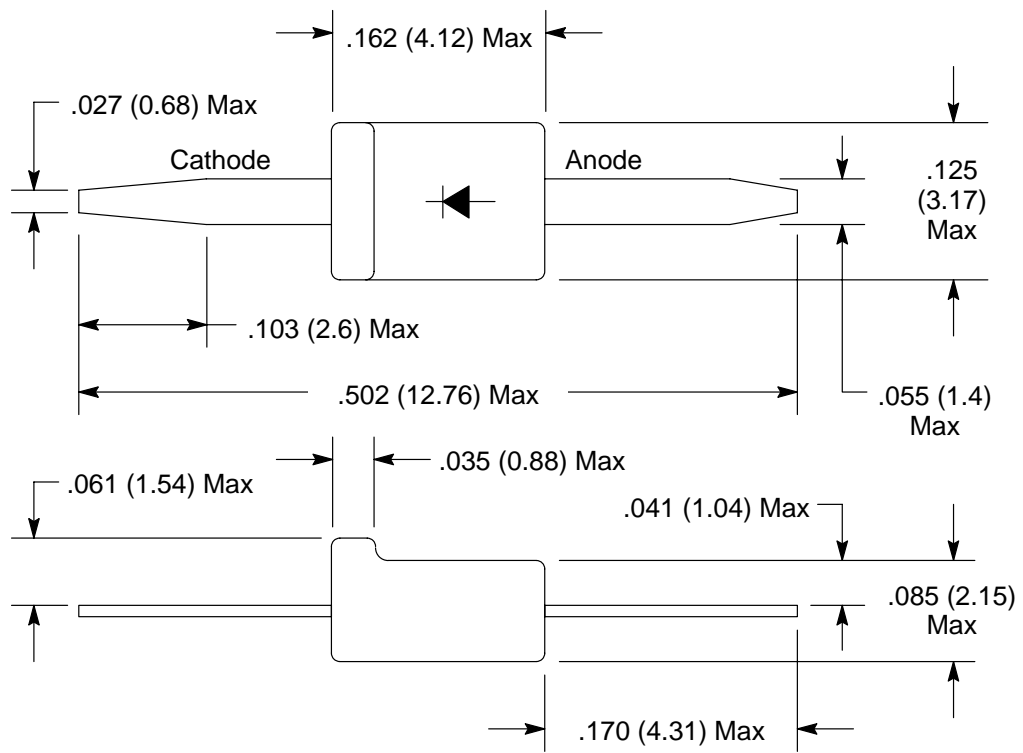
- Schottky Barrier Construction Provides Stable Characteristics by Eliminating the “Cat-Whisker” or “S-Bend” Contact
- Very Low Capacitance: 1.0pF
- Extremely Low Minority Carrier Lifetime: 100ps (Max)
- High Reverse Voltage:  $V_R = 50V$
- Low Reverse Leakage Current:  $I_R = 200nA$  (Max)

**Absolute Maximum Ratings:** ( $T_J = +125^\circ C$ , unless otherwise indicated)

Reverse Voltage, $V_R$ .....	50V
Forward Power Dissipation ( $T_A = 25^\circ C$ ), $P_F$ .....	400mW
Derate Above $25^\circ C$ .....	4mW/ $^\circ C$
Operating Junction Temperature Range, $T_J$ .....	$-55^\circ$ to $+125^\circ C$
Storage Temperature Range, $T_{stg}$ .....	$-65^\circ$ to $+150^\circ C$

**Electrical Characteristics:** ( $T_A = +25^\circ C$ , unless otherwise indicated)

Parameter	Symbol	Test Conditions	Min	Typ	Max	Unit
Reverse Breakdown Voltage	$V_{(BR)R}$	$I_R = 10\mu A$	50	–	–	V
Diode Capacitance	$C_T$	$V_R = 20V, f = 1MHz$	–	0.48	1.0	pF
Minority Carrier Lifetime	$\tau$	$I_F = 5mA$ , Krakauer Method	–	15	100	ps
Reverse Leakage Current	$I_R$	$V_R = 25V$	–	7	200	nA
Forward Voltage	$V_F$	$I_F = 10mA$	–	1.0	1.2	V
Case Capacitance	$C_C$	$f = 1MHz$	–	0.1	–	pF



## X-ON Electronics

Largest Supplier of Electrical and Electronic Components

*Click to view similar products for [Schottky Diodes & Rectifiers](#) category:*

*Click to view products by [NTE manufacturer](#):*

Other Similar products are found below :

[MA4E2508M-1112](#) [MBR1545CT](#) [MMBD301M3T5G](#) [GS1JE-TP](#) [RB160M-50TR](#) [D83C](#) [BAS16E6433HTMA1](#) [BAS 3010S-02LRH E6327](#)  
[BAT 54-02LRH E6327](#) [IDL02G65C5XUMA1](#) [NSR05F40QNXT5G](#) [NTE555](#) [JANS1N6640](#) [SB07-03C-TB-H](#) [SBM30-03-TR-E](#) [SBS818-TL-](#)  
[E](#) [SK310-T](#) [SK34B-TP](#) [SS3003CH-TL-E](#) [PDS3100Q-7](#) [GA01SHT18](#) [CRS10I30A\(TE85L,QM](#) [MA4E2501L-1290](#) [MBRB30H30CT-1G](#)  
[HSB123JTR-E](#) [JANTX1N5712-1](#) [DMJ3940-000](#) [SB007-03C-TB-E](#) [SB10015M-TL-E](#) [SB1003M3-TL-E](#) [SK33B-TP](#) [SK35A-TP](#)  
[NRVBM120LT1G](#) [NTE505](#) [NTSB30U100CT-1G](#) [SS0503SH-TL-E](#) [VS-6CWQ10FNHM3](#) [CRG04\(T5L,TEMQ\)](#) [ACDBA1100LR-HF](#)  
[ACDBA1200-HF](#) [ACDBA240-HF](#) [ACDBA3100-HF](#) [CDBQC0530L-HF](#) [ACDBA260LR-HF](#) [ACDBA1100-HF](#) [MA4E2502L-1246](#)  
[10BQ015-M3/5BT](#) [CRS08TE85LQM](#) [PMAD1108-LF](#) [12CWQ04FNTR-M3](#)