

NTE574 General Purpose Silicon Rectifier Fast Recovery

Features:

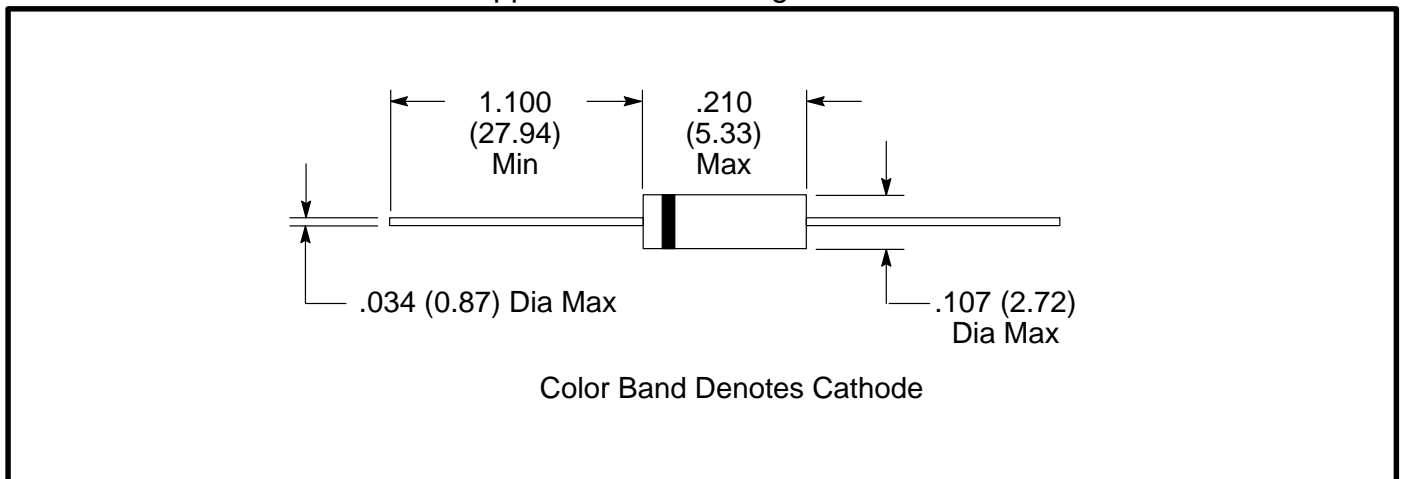
- Low Switching Noise
- Low Forward Voltage Drop
- Low Thermal Resistance
- High Current Capability
- High Switching Capability
- High Surge Capability
- High Reliability

Maximum Ratings and Electrical Characteristics:

($T_A = +25^\circ\text{C}$ unless otherwise specified. Single Phase, half wave, 60Hz, resistive or inductive load. For capacitive load, derate current by 20%)

Maximum Recurrent Peak Reverse Voltage, V_{RRM}	400V
Maximum RMS Voltage, V_{RMS}	280V
Maximum DC Blocking Voltage, V_{DC}	400V
Maximum Average Forward Rectified Output Current ($T_A = +55^\circ\text{C}$), $I_{(AV)}$	1A
Peak Forward Surge Current, I_{FSM} (8.3ms single half sine wave superimposed on rated load)	35A
Maximum Instantaneous Forward Voltage (At 1A), V_F	1V
Maximum DC Reverse Current ($V_{DC} = 400\text{V}$), I_R	50 μA
Maximum Reverse Recovery Time ($I_F = 0.5\text{A}$, $I_R = 1\text{A}$, $I_{RR} = 0.25\text{A}$), t_{rr}	35ns
Typical Junction Capacitance (Note 1), C_J	20pF
Thermal Resistance, Junction-to-Air ($^{\circ}\text{W}/\text{fin}$), R_{thJA}	50 $^{\circ}\text{C}/\text{W}$
Operating Junction Temperature Range, T_J	-65 $^{\circ}$ to +150 $^{\circ}\text{C}$
Storage Temperature Range, T_{stg}	-65 $^{\circ}$ to +150 $^{\circ}\text{C}$

Note 1. Measured at 1MHz and applied reverse voltage of 4V.



X-ON Electronics

Largest Supplier of Electrical and Electronic Components

Click to view similar products for [nte manufacturer](#):

Other Similar products are found below :

[747](#) [797](#) [868](#) [1724](#) [NEH680M50FE](#) [NEHH1.0M450CB](#) [NTE48](#) [NTE526A](#) [228A](#) [231](#) [954](#) [2023](#) [510](#) [R04-11A30-120](#) [04-SLPE3750A](#)
[5615](#) [591](#) [7056](#) [7448](#) [NEH.10M50AA](#) [NEH2.2M63AA](#) [NEH330M35DD](#) [NEH33M10AA](#) [NEV.22M100AA](#) [NTE528](#) [NTE542](#) [NTE74154](#)
[04-SCBW25L-BK](#) [04-SCBW32L-BK](#) [04-SCW10C-BK](#) [04-SCBW19L-GR](#) [04-SCW19L-WH](#) [04-SCW19L-OR](#) [04-SCW38L-WH](#) [04-](#)
[SCBW50L-OR](#) [04-SCBW50L-GR](#) [04-SCW10C-GR](#) [04-SCW10C-OR](#) [04-SCBW32L-GR](#) [04-SCBW32L-WH](#) [04-SCBW32L-OR](#) [04-](#)
[SCBW6C-WH](#) [04-SCBW6C-GR](#) [04-SCBW6C-OR](#) [04-SCBW25L-GR](#) [04-SCBW25L-WH](#) [04-ESNF-500L](#) [04-SL.625-R-5](#) [04-SCW5C-WH](#)
[04-ESNF-1000L](#)