



ELECTRONICS, INC.
 44 FARRAND STREET
 BLOOMFIELD, NJ 07003
 (973) 748-5089
<http://www.nteinc.com>

NTE5826 thru NTE5829 Silicon Power Rectifier Diode, 50 Amp, Press Fit

Description:

The NTE5826 thru NTE5829 are silicon power rectifier diodes in a press-fit type package designed for use in all medium-current applications or for higher current industrial alternators and chassis mounted power supply rectifiers.

Features:

- 50 Amp @ $T_C = +150^\circ\text{C}$
- 600 Amp Surge Capability
- Rugged Construction
- Available in Standard (NTE5826, NTE5828) and Reverse (NTE5827, NTE5829) Polarity

Absolute Maximum Ratings:

Peak Repetitive Reverse Voltage, V_{RRM}	NTE5826, NTE5827*	400V
	NTE5828, NTE5829*	800V
Working Peak Reverse Voltage, V_{RWM}	NTE5826, NTE5827*	400V
	NTE5828, NTE5829*	800V
DC Blocking Voltage, V_B	NTE5826, NTE5827*	400V
	NTE5828, NTE5829*	800V
Non-Repetitive Peak Reverse Voltage, V_{RSM}	NTE5826, NTE5827*	450V
	NTE5828, NTE5829*	850V
RMS Reverse Voltage, $V_{R(RMS)}$	NTE5826, NTE5827*	280V
	NTE5828, NTE5829*	560V
Average Rectified Forward Current (Single phase, resistive load, $T_C = +150^\circ\text{C}$), I_O		50A
Non-Repetitive Peak Surge Current (Surge applied at rated load conditions), I_{FSM}		600A
Operating Junction Temperature Range, T_J		-65° to $+195^\circ\text{C}$
Storage Temperature Range, T_{stg}		-65° to $+195^\circ\text{C}$
Maximum Thermal Resistance, Junction-to-Case, R_{thJC}		0.8°C/W

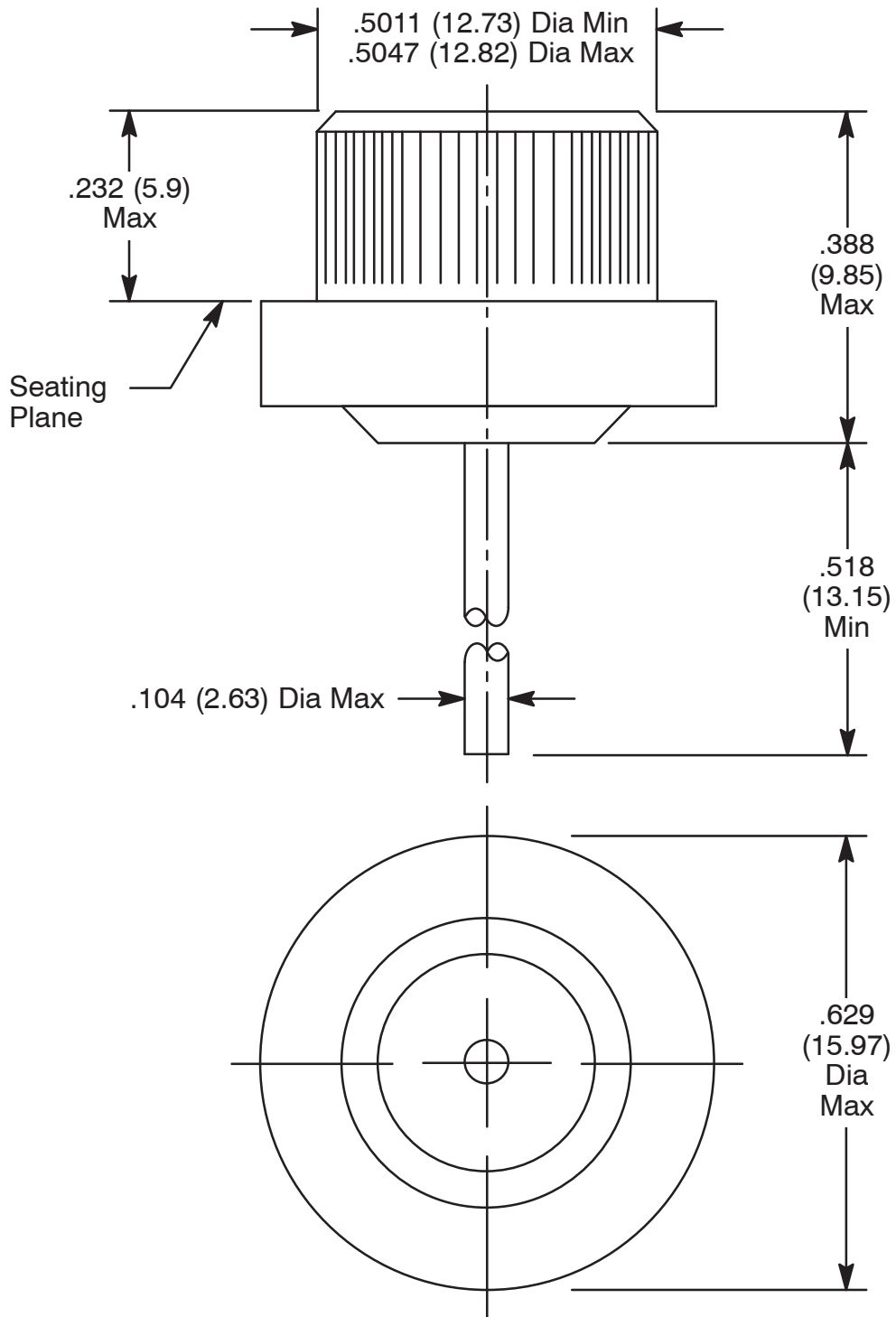
Note 1. Standard polarity is cathode to case, (*) indicated anode to case.

Electrical Characteristics:

Parameter	Symbol	Test Conditions	Min	Typ	Max	Unit
Instantaneous Forward Voltage	v_F	$i_F = 157\text{A}, T_J = +25^\circ\text{C}$	-	1.10	1.18	V
		$i_F = 50\text{A}, T_J = +25^\circ\text{C}$	-	0.95	1.00	V
Reverse Current	i_R	$V_{RRM} = \text{Rated Voltage}, T_C = +25^\circ\text{C}$	-	0.05	0.2	mA
		$V_{RRM} = \text{Rated Voltage}, T_C = +150^\circ\text{C}$	-	1.0	2.0	mA

Rev. 6-17





X-ON Electronics

Largest Supplier of Electrical and Electronic Components

Click to view similar products for [nte manufacturer](#):

Other Similar products are found below :

[747](#) [797](#) [868](#) [1724](#) [NEH680M50FE](#) [NEHH1.0M450CB](#) [NTE48](#) [NTE526A](#) [228A](#) [231](#) [954](#) [2023](#) [47-20848-R](#) [510](#) [R04-11A30-120](#) [04-SLPE3750A](#) [5615](#) [591](#) [7056](#) [NTE5710](#) [7448](#) [NEH.10M50AA](#) [NEH2.2M63AA](#) [NEH330M35DD](#) [NEH33M10AA](#) [NEV.22M100AA](#) [TP0006-100](#) [NTE182](#) [NTE528](#) [NTE542](#) [NTE74154](#) [WH20-02-25](#) [04-SCBW25L-BK](#) [04-SCBW32L-BK](#) [04-SCW10C-BK](#) [04-SCBW19L-GR](#) [04-SCW19L-WH](#) [04-SCW19L-OR](#) [04-SCW38L-WH](#) [04-SCBW50L-OR](#) [04-SCBW50L-GR](#) [04-SCW10C-GR](#) [04-SCW10C-OR](#) [04-SCBW32L-GR](#) [04-SCBW32L-WH](#) [04-SCBW32L-OR](#) [04-SCBW6C-WH](#) [04-SCBW6C-GR](#) [04-SCBW6C-OR](#) [04-SCBW25L-GR](#)