



ELECTRONICS, INC.  
 44 FARRAND STREET  
 BLOOMFIELD, NJ 07003  
 (973) 748-5089  
<http://www.nteinc.com>

## NTE5930 & NTE5931 Silicon Power Rectifier Diode, 70 Amp, DO5

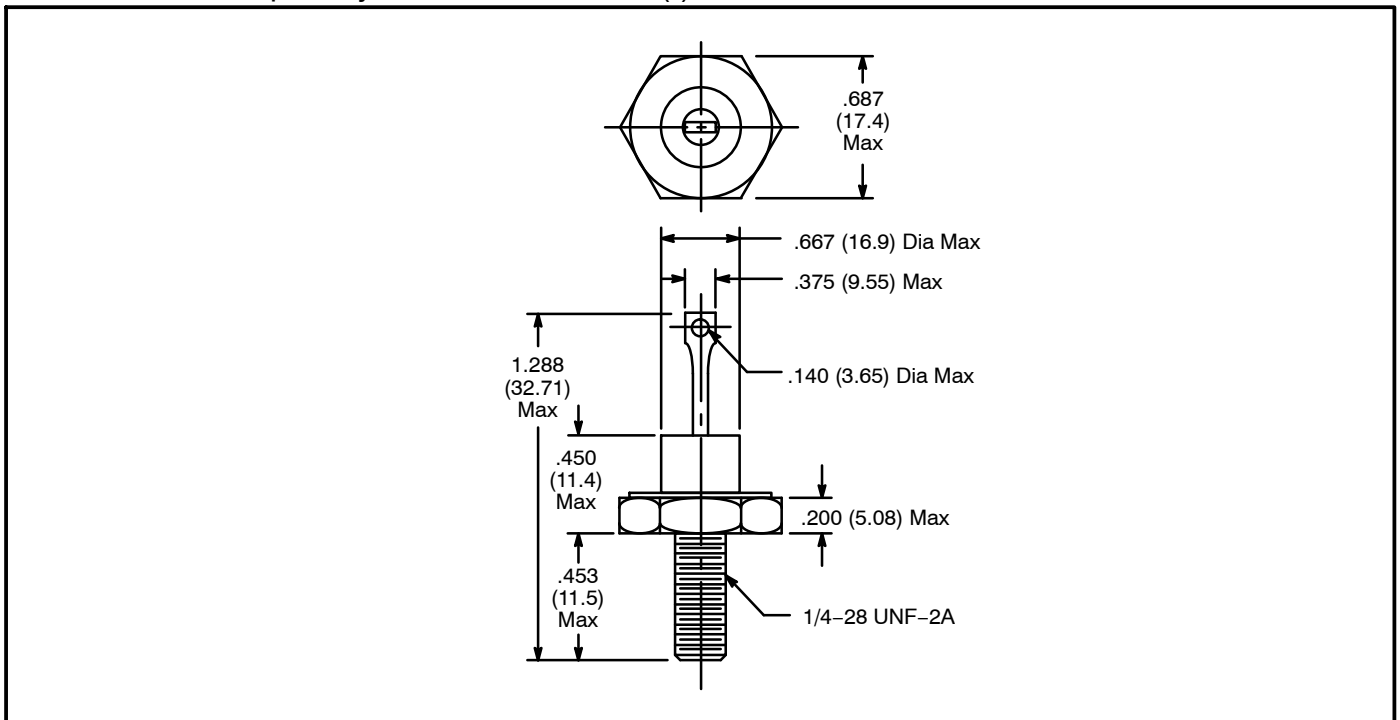
### Description:

The NTE5930 and NTE5931 are silicon power rectifier diodes in a DO5 type package designed with very low leakage current as well as good surge handling capability. These devices are ideal for a broad range of commercial uses including power supplies, ultrasonic systems, inverters, welders, emergency generators, battery chargers, DC motors, and motor controls.

### Ratings and Characteristics:

Peak Reverse Voltage, $P_{RV}$	
NTE5930, NTE5931*	1200V
Maximum Forward Current (Single Phase, Half Wave, $T_C = +138^\circ\text{C}$ ), $I_{F(AV)}$	70A
Maximum Forward Surge Current (Single Cycle Amps), $I_{FSM}$	1200A
Maximum Forward Voltage Drop ( $I_O = 200\text{A}$ , $T_C = +25^\circ\text{C}$ ), $V_F$	1.25V
Maximum Reverse Current (FCA at $+150^\circ\text{C}$ ), $I_R$	2mA
Fusing Current (Less than 8ms), $I^2t$	6000A <sup>2</sup> s
Reverse Power for Bulk Avalanche	0.6 Joules
Operating Temperature Range, $T_{opr}$	$-65^\circ$ to $+190^\circ\text{C}$
Storage Temperature Range, $T_{stg}$	$-65^\circ$ to $+200^\circ\text{C}$
Maximum Thermal Resistance, Junction-to-Case, $R_{thJC}$	$0.65^\circ\text{C/W}$

Note 1. Standard polarity is cathode to case, (\*) indicated anode to case.



## X-ON Electronics

Largest Supplier of Electrical and Electronic Components

*Click to view similar products for [nte manufacturer](#):*

Other Similar products are found below :

[747](#) [797](#) [868](#) [1724](#) [NEH680M50FE](#) [NEHH1.0M450CB](#) [NTE48](#) [NTE526A](#) [228A](#) [231](#) [954](#) [2023](#) [47-20848-R](#) [510](#) [R04-11A30-120](#) [04-SLPE3750A](#) [5615](#) [591](#) [7056](#) [NTE5710](#) [7448](#) [NEH.10M50AA](#) [NEH2.2M63AA](#) [NEH330M35DD](#) [NEH33M10AA](#) [NEV.22M100AA](#) [TP0006-100](#) [NTE182](#) [NTE528](#) [NTE542](#) [NTE74154](#) [WH20-02-25](#) [04-SCBW25L-BK](#) [04-SCBW32L-BK](#) [04-SCW10C-BK](#) [04-SCBW19L-GR](#) [04-SCW19L-WH](#) [04-SCW19L-OR](#) [04-SCW38L-WH](#) [04-SCBW50L-OR](#) [04-SCBW50L-GR](#) [04-SCW10C-GR](#) [04-SCW10C-OR](#) [04-SCBW32L-GR](#) [04-SCBW32L-WH](#) [04-SCBW32L-OR](#) [04-SCBW6C-WH](#) [04-SCBW6C-GR](#) [04-SCBW6C-OR](#) [04-SCBW25L-GR](#)