



ELECTRONICS, INC.
 44 FARRAND STREET
 BLOOMFIELD, NJ 07003
 (973) 748-5089
<http://www.nteinc.com>



NTE5934 & NTE5935 Industrial Rectifier 75 Amp, Ultra High Power, Heavy Duty, Press Fit

Features:

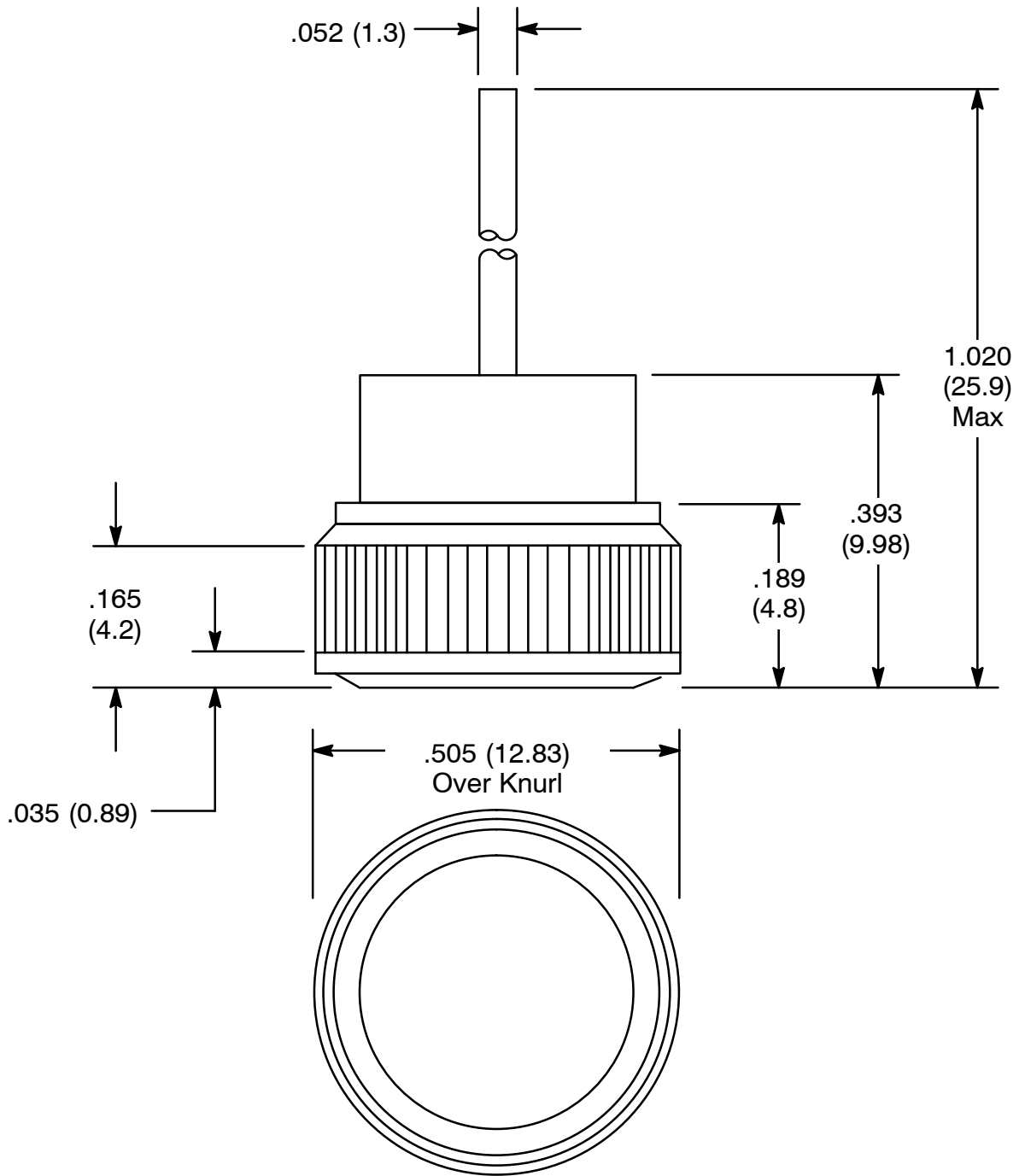
- Available in Cathode-to-Case (NTE5934) or Anode-to-Case (NTE5935)
- Void Free Vacuum Die Soldering for Maximum Mechanical Strength and Heat Dissipation
- Huge Round Die for Ultra High Power and Heavy Duty Performance
- Press Fit into Heat Sink to Further Enhance Heat Handling Capability
- High Temperature Junction Passivation for Superior Reliability and Performance
- Low Thermal Stress Structure – Pass 5 Cycle (–55° to +150°C) Thermal Shock Test

Absolute Maximum Ratings: ($T_A = +25^\circ\text{C}$ unless otherwise specified)

Maximum Recurrent Peak Reverse Voltage, V_{RRM}	400V
Working Peak Reverse Voltage, V_{RWM}	400V
Maximum DC Blocking Voltage, V_{DC}	400V
Non-Repetitive Peak Reverse Voltage (Half Wave, 60Hz, Single Phase), V_{RSM}	480V
Average Forward Rectified Current, I_O	75A
Non-Repetitive Peak Forward Surge Current, I_{FSM} (Half Wave, Single Phse, 60Hz, Sine Applied to rated Load)	800A
Operating Junction Temperature Range, T_J	–65° to +215°C
Storage Temperature Range, T_{stg}	–65° to +215°C
Maximum Soldering Temperature (1/4" from case, 10sec max)	+250°C
Mounting Position	Any
Maximum Mounting Force	12KN

Electrical Characteristics: ($T_A = +25^\circ\text{C}$ unless otherwise specified)

Parameter	Symbol	Test Conditions	Min	Typ	Max	Unit
Forward Voltage Drop	V_F	$I_F = 75\text{A}$	–	1.05	1.15	V
DC Reverse Current	I_R	$V_{DC} = 400\text{V}, T_C = +25^\circ\text{C}$	–	–	2	μA



X-ON Electronics

Largest Supplier of Electrical and Electronic Components

Click to view similar products for [nte manufacturer](#):

Other Similar products are found below :

[747](#) [797](#) [868](#) [1724](#) [NEH680M50FE](#) [NEHH1.0M450CB](#) [NTE48](#) [NTE526A](#) [228A](#) [231](#) [954](#) [2023](#) [47-20848-R](#) [510](#) [R04-11A30-120](#) [04-SLPE3750A](#) [5615](#) [591](#) [7056](#) [NTE5710](#) [7448](#) [NEH.10M50AA](#) [NEH2.2M63AA](#) [NEH330M35DD](#) [NEH33M10AA](#) [NEV.22M100AA](#) [TP0006-100](#) [NTE182](#) [NTE528](#) [NTE542](#) [NTE74154](#) [WH20-02-25](#) [04-SCBW25L-BK](#) [04-SCBW32L-BK](#) [04-SCW10C-BK](#) [04-SCBW19L-GR](#) [04-SCW19L-WH](#) [04-SCW19L-OR](#) [04-SCW38L-WH](#) [04-SCBW50L-OR](#) [04-SCBW50L-GR](#) [04-SCW10C-GR](#) [04-SCW10C-OR](#) [04-SCBW32L-GR](#) [04-SCBW32L-WH](#) [04-SCBW32L-OR](#) [04-SCBW6C-WH](#) [04-SCBW6C-GR](#) [04-SCBW6C-OR](#) [04-SCBW25L-GR](#)