



ELECTRONICS, INC.
 44 FARRAND STREET
 BLOOMFIELD, NJ 07003
 (973) 748-5089
<http://www.nteinc.com>

NTE6006 thru NTE6011 Fast Recovery Rectifier, 200ns 40 Amp, DO5

Description:

The NTE6006 through NTE6011 are fast recovery silicon rectifiers in a DO5 type package designed for special applications such as DC power supplies, inverters, converters, ultrasonic systems, choppers, low RF interference, sonar power supplies, and free wheeling diodes. A complete line of fast recovery rectifiers, these devices have a typical recovery time of 150ns providing high efficiency at frequencies to 250kHz.

Absolute Maximum Ratings: (Note 1)

Peak Repetitive Reverse Voltage, V_{RRM}

Working Peak Reverse Voltage, V_{RWM}

DC Blocking Voltage, V_R

NTE6006, NTE6007*	200V
NTE6008, NTE6009*	400V
NTE6010, NTE6011*	600V

Non-Repetitive Peak Reverse Voltage, V_{RSM}

NTE6006, NTE6007*	250V
NTE6008, NTE6009*	450V
NTE6010, NTE6011*	650V

RMS Reverse Voltage, $V_{R(RMS)}$

NTE6006, NTE6007*	140V
NTE6008, NTE6009*	280V
NTE6010, NTE6011*	420V

Average Rectified Forward Current (Single phase, resistive load, $T_C = +100^\circ C$), I_O 40A

Non-Repetitive Peak Surge Current (Surge applied at rated load conditions), I_{FSM} 350A

Operating Junction Temperature Range, T_J -65° to $+160^\circ C$

Storage Temperature Range, T_{stg} -65° to $+175^\circ C$

Thermal Resistance, Junction-to-Case, R_{thJC} $0.85^\circ C/W$

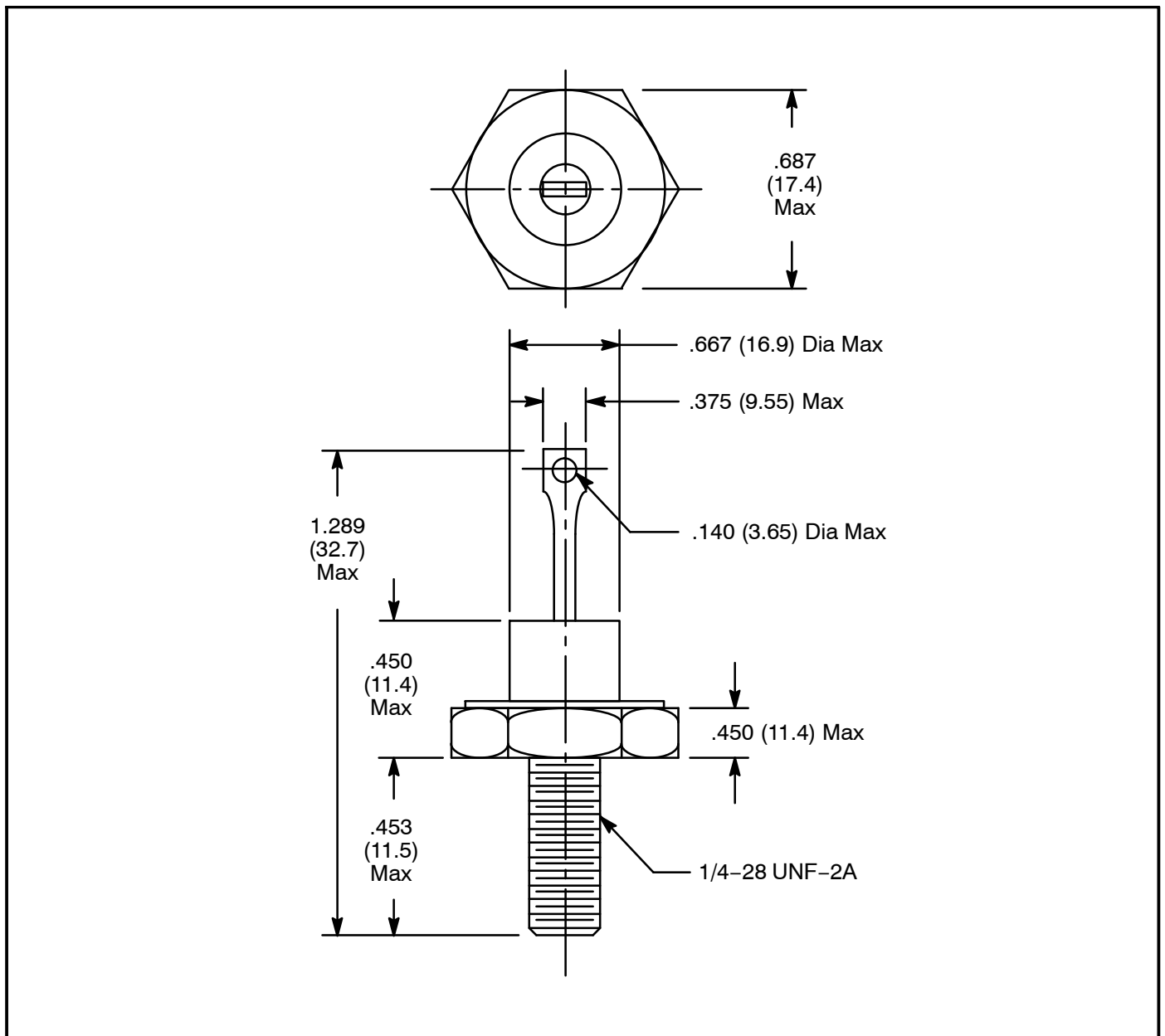
Note 1. * Indicates Anode-to-Case polarity, Cathode-to-Case is standard.

Electrical Characteristics:

Parameter	Symbol	Test Conditions	Min	Typ	Max	Unit
Instantaneous Forward Voltage	V_F	$i_F = 125A, T_J = +150^\circ C$	-	1.3	1.6	V
Forward Voltage	V_F	$I_F = 40A, T_C = +25^\circ C$	-	1.0	1.4	V
Reverse Current (Rated DC Voltage)	I_R	$T_C = +25^\circ C$	-	25	50	μA
		$T_C = +100^\circ C$	-	1.0	2.0	mA

Reverse Recovery Characteristics:

Parameter	Symbol	Test Conditions	Min	Typ	Max	Unit
Reverse Recovery Time	t_{rr}	$I_F = 1A$ to $V_R = 30V$	-	150	200	ns
		$I_{FM} = 36A, di/dt = 25A/\mu s$	-	200	400	ns
Reverse Recovery Current	$I_{RM(REC)}$	$I_F = 1A$ to $V_R = 30V$	-	2.0	3.0	A



X-ON Electronics

Largest Supplier of Electrical and Electronic Components

Click to view similar products for [Rectifiers](#) category:

Click to view products by [NTE](#) manufacturer:

Other Similar products are found below :

[D91A](#) [DA24F4100L](#) [DD89N1600K-A](#) [DD89N16K-K](#) [RL252-TP](#) [DLA11C-TR-E](#) [DSA17G](#) [1N4005-TR](#) [BAV199-TP](#) [UFS120Je3/TR13](#)
[JANS1N6640US](#) [VS-80-1293](#) [DD89N16K](#) [DD89N16K-A](#) [481235F](#) [DSP10G-TR-E](#) [RRE02VS6SGTR](#) [067907F](#) [MS306](#) [ND104N08K](#)
[SPA2003-B-D-A01](#) [VS-80-6193](#) [VS-66-9903](#) [VGF0136AB](#) [US2JFL-TP](#) [UFS105Je3/TR13](#) [A1N5404G-G](#) [ACGRA4007-HF](#) [ACGRB207-HF](#)
[RF301B2STL](#) [RF501B2STL](#) [UES1306](#) [UES1302](#) [BAV199E6433HTMA1](#) [ACGRC307-HF](#) [ACEFC304-HF](#) [JANTXV1N5660A](#) [UES1106](#)
[GS2K-LTP](#) [D126A45C](#) [D251N08B](#) [SCHJ22.5K](#) [SM100](#) [SCPA2](#) [SCH10000](#) [SDHD5K](#) [STTH20P035FP](#) [VS-8EWS12S-M3](#) [VS-](#)
[12FL100S10](#) [ACGRA4001-HF](#)