



ELECTRONICS, INC.
 44 FARRAND STREET
 BLOOMFIELD, NJ 07003
 (973) 748-5089
<http://www.nteinc.com>

NTE6006 thru NTE6011 Fast Recovery Rectifier, 200ns 40 Amp, DO5

Description:

The NTE6006 through NTE6011 are fast recovery silicon rectifiers in a DO5 type package designed for special applications such as DC power supplies, inverters, converters, ultrasonic systems, choppers, low RF interference, sonar power supplies, and free wheeling diodes. A complete line of fast recovery rectifiers, these devices have a typical recovery time of 150ns providing high efficiency at frequencies to 250kHz.

Absolute Maximum Ratings: (Note 1)

Peak Repetitive Reverse Voltage, V_{RRM}

Working Peak Reverse Voltage, V_{RWM}

DC Blocking Voltage, V_R

NTE6006, NTE6007*	200V
NTE6008, NTE6009*	400V
NTE6010, NTE6011*	600V

Non-Repertitive Peak Reverse Voltage, V_{RSM}

NTE6006, NTE6007*	250V
NTE6008, NTE6009*	450V
NTE6010, NTE6011*	650V

RMS Reverse Voltage, $V_{R(RMS)}$

NTE6006, NTE6007*	140V
NTE6008, NTE6009*	280V
NTE6010, NTE6011*	420V

Average Rectified Forward Current (Single phase, resistive load, $T_C = +100^\circ C$), I_O 40A

Non-Repertitive Peak Surge Current (Surge applied at rated load conditions), I_{FSM} 350A

Operating Junction Temperature Range, T_J -65° to $+160^\circ C$

Storage Temperature Range, T_{stg} -65° to $+175^\circ C$

Thermal Resistance, Junction-to-Case, R_{thJC} $0.85^\circ C/W$

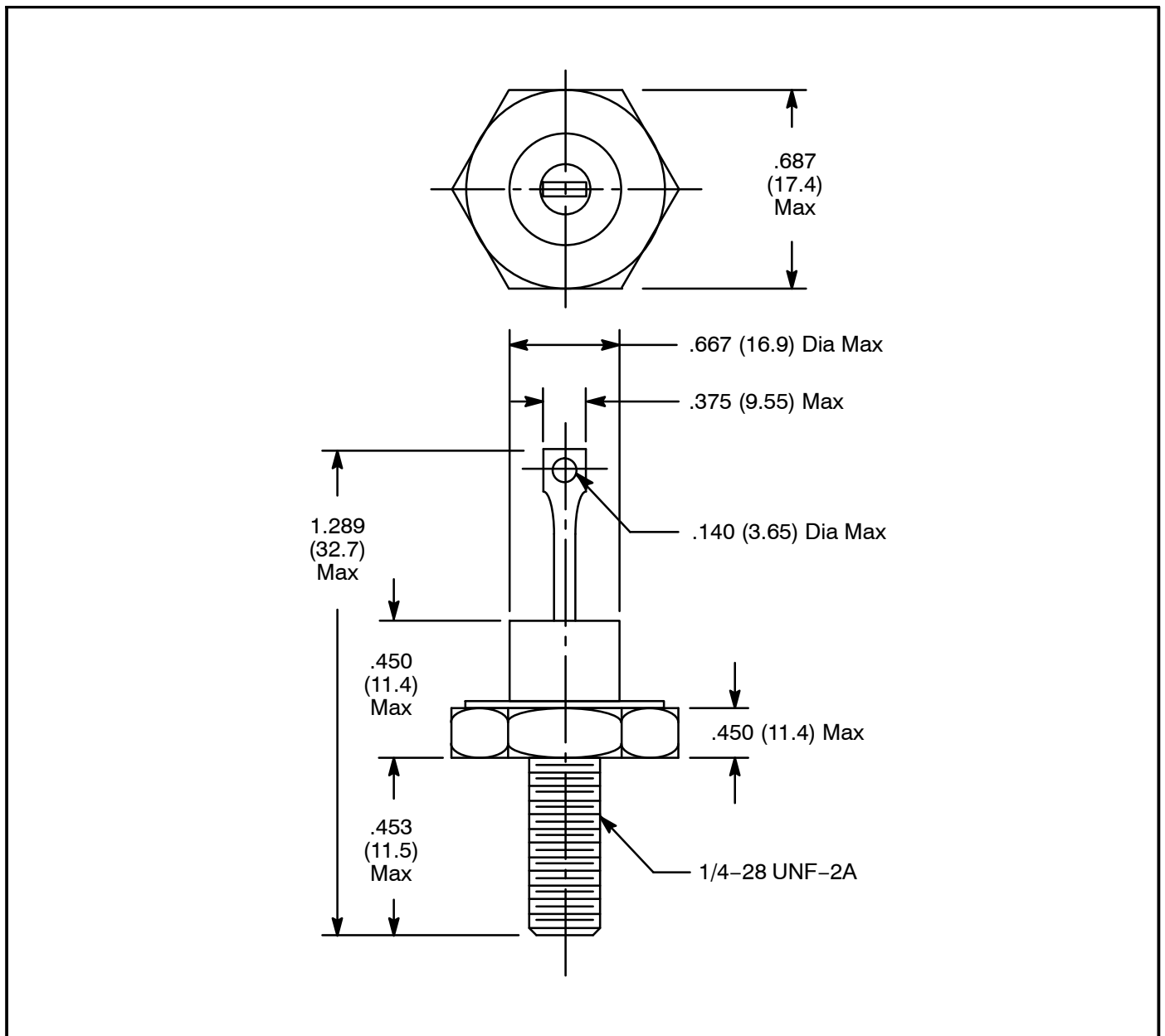
Note 1. * Indicates Anode-to-Case polarity, Cathode-to-Case is standard.

Electrical Characteristics:

Parameter	Symbol	Test Conditions	Min	Typ	Max	Unit
Instantaneous Forward Voltage	v_F	$i_F = 125A, T_J = +150^\circ C$	-	1.3	1.6	V
Forward Voltage	V_F	$I_F = 40A, T_C = +25^\circ C$	-	1.0	1.4	V
Reverse Current (Rated DC Voltage)	I_R	$T_C = +25^\circ C$	-	25	50	μA
		$T_C = +100^\circ C$	-	1.0	2.0	mA

Reverse Recovery Characteristics:

Parameter	Symbol	Test Conditions	Min	Typ	Max	Unit
Reverse Recovery Time	t_{rr}	$I_F = 1A$ to $V_R = 30V$	-	150	200	ns
		$I_{FM} = 36A, di/dt = 25A/\mu s$	-	200	400	ns
Reverse Recovery Current	$I_{RM(REC)}$	$I_F = 1A$ to $V_R = 30V$	-	2.0	3.0	A



X-ON Electronics

Largest Supplier of Electrical and Electronic Components

Click to view similar products for [nte manufacturer](#):

Other Similar products are found below :

[747](#) [797](#) [868](#) [1724](#) [NEH680M50FE](#) [NEHH1.0M450CB](#) [NTE48](#) [NTE526A](#) [228A](#) [231](#) [954](#) [2023](#) [47-20848-R](#) [510](#) [R04-11A30-120](#) [04-SLPE3750A](#) [5615](#) [591](#) [7056](#) [NTE5710](#) [7448](#) [NEH.10M50AA](#) [NEH2.2M63AA](#) [NEH330M35DD](#) [NEH33M10AA](#) [NEV.22M100AA](#) [TP0006-100](#) [NTE182](#) [NTE528](#) [NTE542](#) [NTE74154](#) [WH20-02-25](#) [04-SCBW25L-BK](#) [04-SCBW32L-BK](#) [04-SCW10C-BK](#) [04-SCBW19L-GR](#) [04-SCW19L-WH](#) [04-SCW19L-OR](#) [04-SCW38L-WH](#) [04-SCBW50L-OR](#) [04-SCBW50L-GR](#) [04-SCW10C-GR](#) [04-SCW10C-OR](#) [04-SCBW32L-GR](#) [04-SCBW32L-WH](#) [04-SCBW32L-OR](#) [04-SCBW6C-WH](#) [04-SCBW6C-GR](#) [04-SCBW6C-OR](#) [04-SCBW25L-GR](#)