



ELECTRONICS, INC.
 44 FARRAND STREET
 BLOOMFIELD, NJ 07003
 (973) 748-5089
<http://www.nteinc.com>

NTE6070 thru NTE6079 Industrial Silicon Rectifiers 85 Amp, DO5

Description:

The NTE6070 thru NTE6079 series of 85 Amp power rectifiers are stud mounted DO5 packages. Because the silicon junction is carefully fitted within a glass to-metal hermetically sealed case, reliable operation is assured, even with extreme humidity and under other severe environmental conditions.

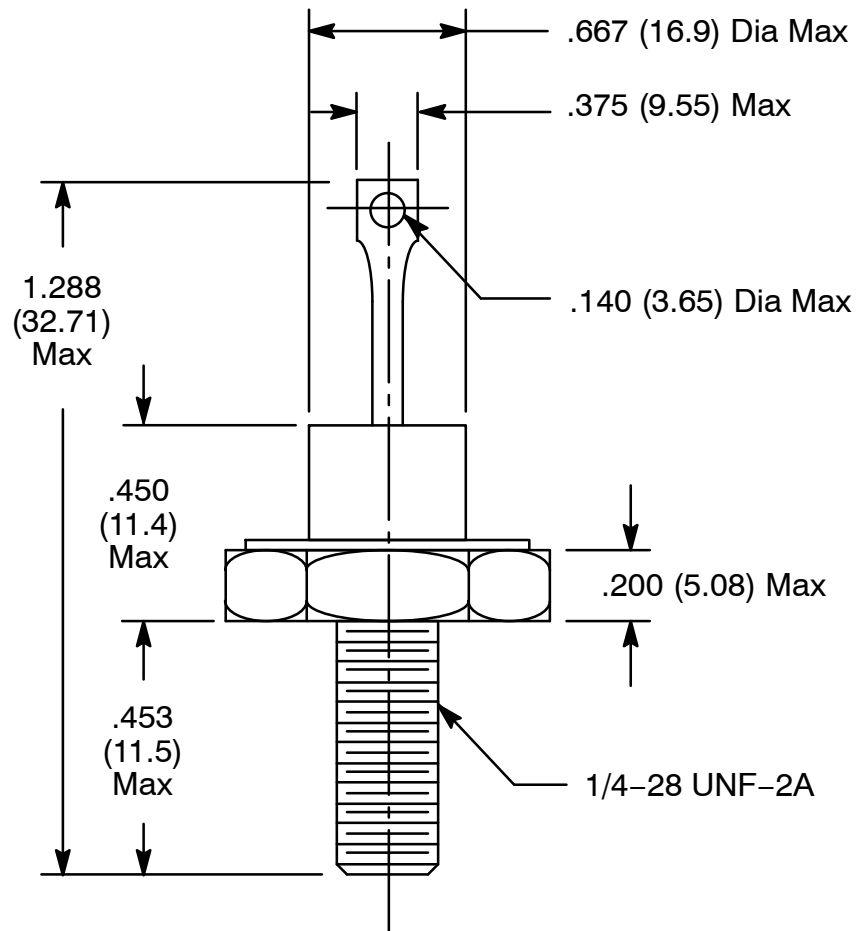
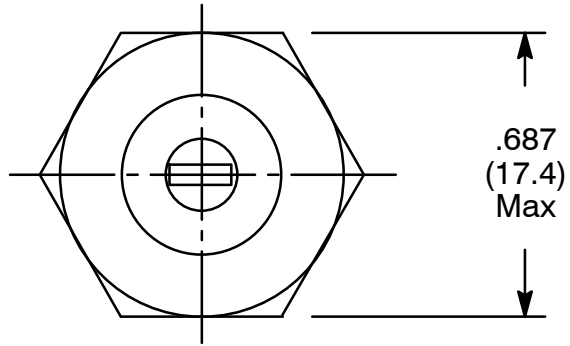
A double diffused, passivated junction technique is utilized to provide stable uniform electrical characteristics. Inherent in their design are very low leakage currents and excellent surge handling capability. These devices are available in standard and reverse polarities and in voltage ratings from 200 to 1600 volts PRV.

NTE silicon power rectifiers are ideal for a broad range of commercial and military uses including power supplies, ultrasonic systems, inverters, welders, emergency generators, battery chargers, DC motors, and motor controls.

Electrical Ratings:

Peak Reverse Voltage, P_{RV}	
NTE6074, NTE6075*	200V
NTE6076, NTE6077*	600V
NTE6078, NTE6079*	1200V
NTE6070, NTE6071*	1600V
Maximum Forward Current ($T_C = +132^\circ\text{C}$, Single Phase Half Wave), I_F	85A
Maximum Surge Current, Single Cycle, $I_{FM(\text{Surge})}$	1500A
Maximum Forward Voltage Drop ($I_F = 200\text{A}$), V_F	1.15V
Maximum Reverse Current (FCA @ 150°C), I_R	2mA
Maximum I^2t (Less than 8ms), I^2t	9300A ² Sec
Reverse Power for Bulk Avalanche	0.6 Joules
Storage Temperature Range, T_{stg}	-65° to +200°C
Operating Temperature Range, T_{opr}	-65° to +190°C
Maximum Thermal Resistance, Junction-to-Case, R_{thJC}	0.6°C/W

Note 1. * Indicates **Anode to case** polarity, Cathode to case is standard polarity.



X-ON Electronics

Largest Supplier of Electrical and Electronic Components

Click to view similar products for [nte manufacturer](#):

Other Similar products are found below :

[747](#) [797](#) [868](#) [1724](#) [NEH680M50FE](#) [NEHH1.0M450CB](#) [NTE48](#) [NTE526A](#) [228A](#) [231](#) [954](#) [2023](#) [47-20848-R](#) [510](#) [R04-11A30-120](#) [04-SLPE3750A](#) [5615](#) [591](#) [7056](#) [NTE5710](#) [7448](#) [NEH.10M50AA](#) [NEH2.2M63AA](#) [NEH330M35DD](#) [NEH33M10AA](#) [NEV.22M100AA](#) [TP0006-100](#) [NTE182](#) [NTE528](#) [NTE542](#) [NTE74154](#) [WH20-02-25](#) [04-SCBW25L-BK](#) [04-SCBW32L-BK](#) [04-SCW10C-BK](#) [04-SCBW19L-GR](#) [04-SCW19L-WH](#) [04-SCW19L-OR](#) [04-SCW38L-WH](#) [04-SCBW50L-OR](#) [04-SCBW50L-GR](#) [04-SCW10C-GR](#) [04-SCW10C-OR](#) [04-SCBW32L-GR](#) [04-SCBW32L-WH](#) [04-SCBW32L-OR](#) [04-SCBW6C-WH](#) [04-SCBW6C-GR](#) [04-SCBW6C-OR](#) [04-SCBW25L-GR](#)