



ELECTRONICS, INC.
 44 FARRAND STREET
 BLOOMFIELD, NJ 07003
 (973) 748-5089
<http://www.nteinc.com>

NTE6106 & NTE6107 Industrial Rectifier, 450A

Features:

- Standard and Reverse Polarities
- Flag Lead and Stud Top Terminals
- High Surge Current Ratings
- High Rated Blocking Voltages

Applications:

- Welders
- Battery Chargers
- Electrochemical Refining
- Metal Reduction
- General Industrial High Current Rectification

Electrical Characteristics:

Voltage (Blocking State Maximums at Maximum T_J)

Repetitive Peak Reverse Voltage, V_{RRM}	1600V
NTE6106, NTE6107*	
Non-Repetitive Transient Peak Reverse Voltage ($t \leq 5.0ms$), V_{RSM}	1800V
NTE6106, NTE6107*	
Reverse Leakage Current (Peak), I_{RRM}	50mA

Current (Conducting State Maximums)

RMS Forward Current, $I_F (RMS)$	700A
Average Forward Current, $I_F (AV)$	450A
Surge Current, I_{FSM}	
1/2 Cycle	8500A
3 Cycle	6400A
10 Cycle	5100A
Forward Voltage Drop, V_{FM}	
($I_{FM} = 1500A, T_J = +25^\circ C$)	1.6V
I^2t for Fusing (for times = 8.3ms), I^2t	266,000A ² sec

Note 1. * Indicates reverse (anode to case) polarity.

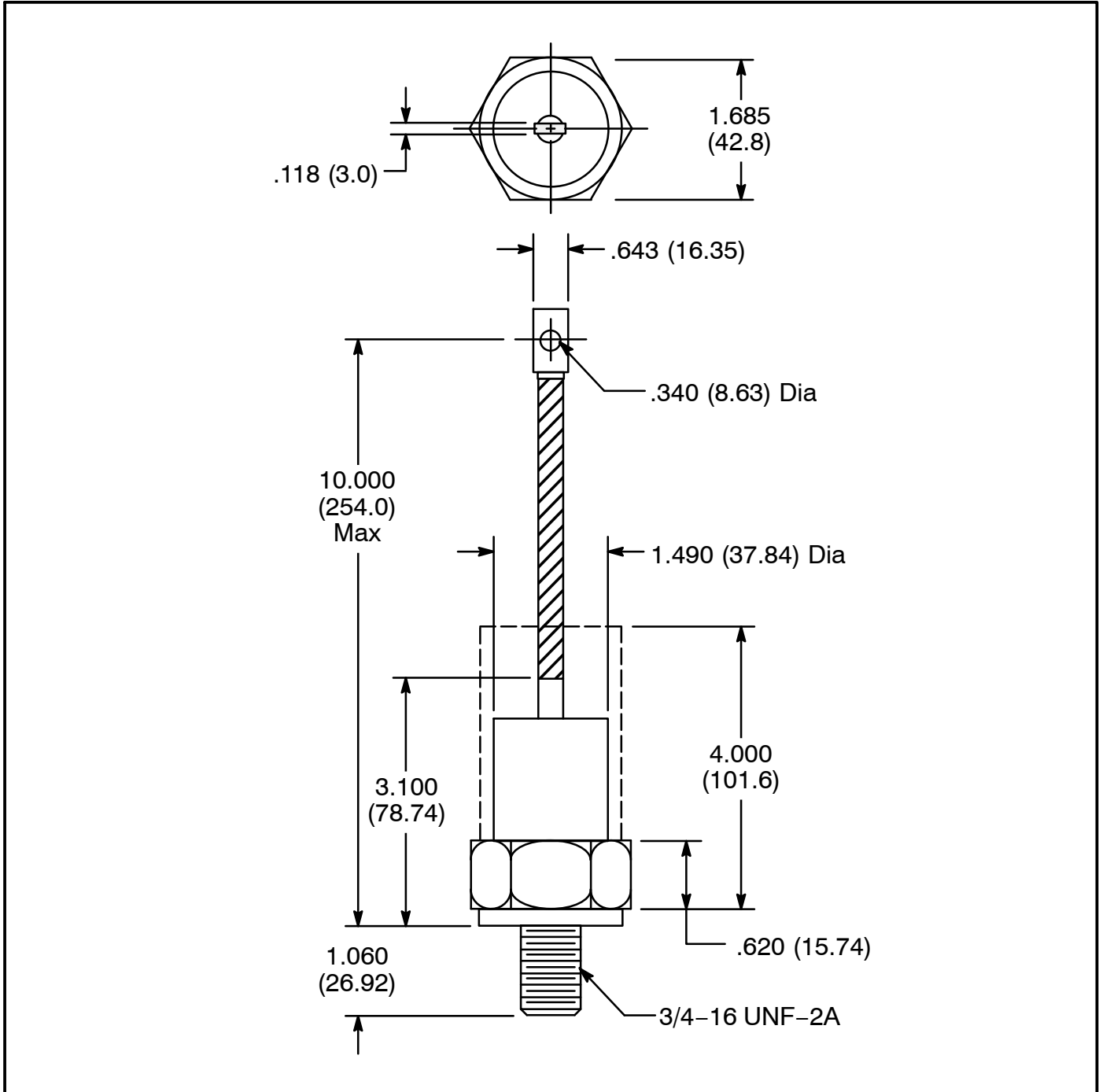
Electrical Characteristics (Cont'd):

Switching

Typical Reverse Recovery Time, t_{rr}
($I_{FM} = 1500A$, $t_p = 190\mu s$, $diR/dt = 25A/\mu s$, $T_C = +25^\circ C$) $11\mu s$

Thermal and Mechanical

Operating Junction Temperature Range, T_J -65° to $+175^\circ C$
Storage Temperature Range, T_{stg} -65° to $+200^\circ C$
Thermal Resistance, Junction-to-Case, R_{thJC} $0.12^\circ C/W$
Thermal Resistance, Case-to-Sink (Lubricated), R_{thCS} $0.04^\circ C/W$
Maximum Mounting Torque 360in. lb.



X-ON Electronics

Largest Supplier of Electrical and Electronic Components

Click to view similar products for [nte manufacturer](#):

Other Similar products are found below :

[747](#) [797](#) [868](#) [1724](#) [NEH680M50FE](#) [NEHH1.0M450CB](#) [NTE48](#) [NTE526A](#) [228A](#) [231](#) [954](#) [2023](#) [47-20848-R](#) [510](#) [R04-11A30-120](#) [04-SLPE3750A](#) [5615](#) [591](#) [7056](#) [NTE5710](#) [7448](#) [NEH.10M50AA](#) [NEH2.2M63AA](#) [NEH330M35DD](#) [NEH33M10AA](#) [NEV.22M100AA](#) [TP0006-100](#) [NTE182](#) [NTE528](#) [NTE542](#) [NTE74154](#) [WH20-02-25](#) [04-SCBW25L-BK](#) [04-SCBW32L-BK](#) [04-SCW10C-BK](#) [04-SCBW19L-GR](#) [04-SCW19L-WH](#) [04-SCW19L-OR](#) [04-SCW38L-WH](#) [04-SCBW50L-OR](#) [04-SCBW50L-GR](#) [04-SCW10C-GR](#) [04-SCW10C-OR](#) [04-SCBW32L-GR](#) [04-SCBW32L-WH](#) [04-SCBW32L-OR](#) [04-SCBW6C-WH](#) [04-SCBW6C-GR](#) [04-SCBW6C-OR](#) [04-SCBW25L-GR](#)