



ELECTRONICS, INC.
 44 FARRAND STREET
 BLOOMFIELD, NJ 07003
 (973) 748-5089
<http://www.nteinc.com>

NTE6102 thru NTE6109 Industrial Rectifier, 550 Amp

Features:

- Standard and Reverse Polarities
- Flag Lead and Stud Top Terminals
- High Surge Current Ratings
- High Rated Blocking Voltages

Applications:

- Welders
- Battery Chargers
- Electrochemical Refining
- Metal Reduction
- General Industrial High Current Rectification

Electrical Characteristics:

Voltage (Blocking State Maximums at Maximum T_J)

Repetitive Peak Reverse Voltage, V _{RRM}	
NTE6102, NTE6103*	600V
NTE6104, NTE6105*	1200V
NTE6108, NTE6109*	1600V

Non-Repetitive Transient Peak Reverse Voltage (t ≤ 5.0ms), V _{RSM}	
NTE6102, NTE6103*	700V
NTE6104, NTE6105*	1400V
NTE6108, NTE6109*	1700V

Reverse Leakage Current (Peak), I _{RRM}	50mA
--	------

Current (Conducting State Maximums)

RMS Forward Current, I _{F (RMS)}	470A
---	------

Average Forward Current, I _{F (AV)}	300A
--	------

Surge Current, I _{FSM}	
1/2 Cycle	7000A
3 Cycle	5250A
10 Cycle	4200A

Forward Voltage Drop, V _{FM}	
(I _{FM} = 1500A, T _J = +25°C)	2.15V
(Rated single phase average current and case temperature)	1.45V

I ² t for Fusing (for times = 8.3ms), I ² t	204,000A ² sec
---	---------------------------

Note 1. * Indicates reverse (anode to case) polarity.

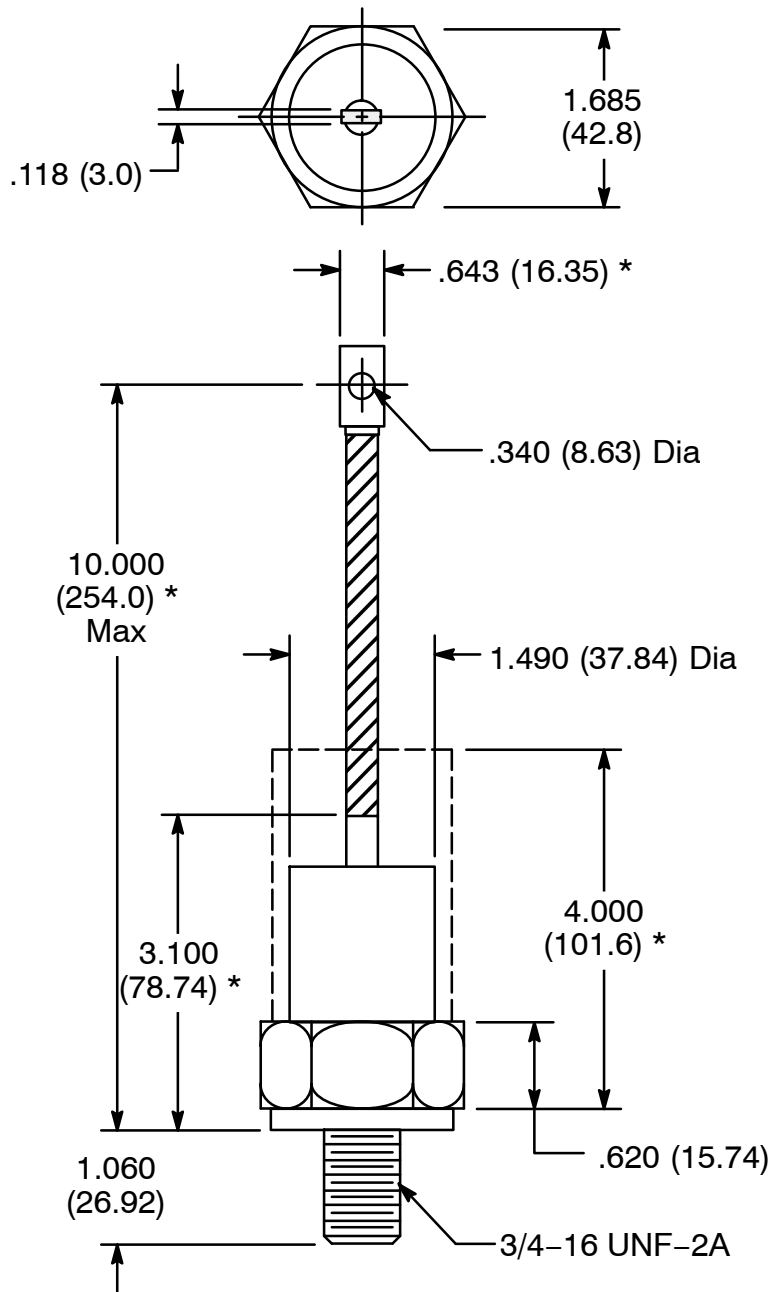
Electrical Characteristics (Cont'd):

Switching

Typical Reverse Recovery Time, t_{rr}
($I_{FM} = 1500A$, $t_p = 190\mu s$, $diR/dt = 25A/\mu s$, $T_C = +25^\circ C$) $9\mu s$

Thermal and Mechanical

Operating Junction Temperature Range, T_J -65° to $+200^\circ C$
Storage Temperature Range, T_{stg} -65° to $+200^\circ C$
Thermal Resistance, Junction-to-Case, R_{thJC} $0.12^\circ C/W$
Thermal Resistance, Case-to-Sink (Lubricated), R_{thCS} $0.04^\circ C/W$
Maximum Mounting Torque 360in. lb.



* These dimensions are for reference only, please consult the factory for actual size.

X-ON Electronics

Largest Supplier of Electrical and Electronic Components

Click to view similar products for [nte manufacturer](#):

Other Similar products are found below :

[747](#) [797](#) [868](#) [1724](#) [NEH680M50FE](#) [NEHH1.0M450CB](#) [NTE48](#) [NTE526A](#) [228A](#) [231](#) [954](#) [2023](#) [47-20848-R](#) [510](#) [R04-11A30-120](#) [04-SLPE3750A](#) [5615](#) [591](#) [7056](#) [NTE5710](#) [7448](#) [NEH.10M50AA](#) [NEH2.2M63AA](#) [NEH330M35DD](#) [NEH33M10AA](#) [NEV.22M100AA](#) [TP0006-100](#) [NTE182](#) [NTE528](#) [NTE542](#) [NTE74154](#) [WH20-02-25](#) [04-SCBW25L-BK](#) [04-SCBW32L-BK](#) [04-SCW10C-BK](#) [04-SCBW19L-GR](#) [04-SCW19L-WH](#) [04-SCW19L-OR](#) [04-SCW38L-WH](#) [04-SCBW50L-OR](#) [04-SCBW50L-GR](#) [04-SCW10C-GR](#) [04-SCW10C-OR](#) [04-SCBW32L-GR](#) [04-SCBW32L-WH](#) [04-SCBW32L-OR](#) [04-SCBW6C-WH](#) [04-SCBW6C-GR](#) [04-SCBW6C-OR](#) [04-SCBW25L-GR](#)