



ELECTRONICS, INC.
 44 FARRAND STREET
 BLOOMFIELD, NJ 07003
 (973) 748-5089
<http://www.nteinc.com>

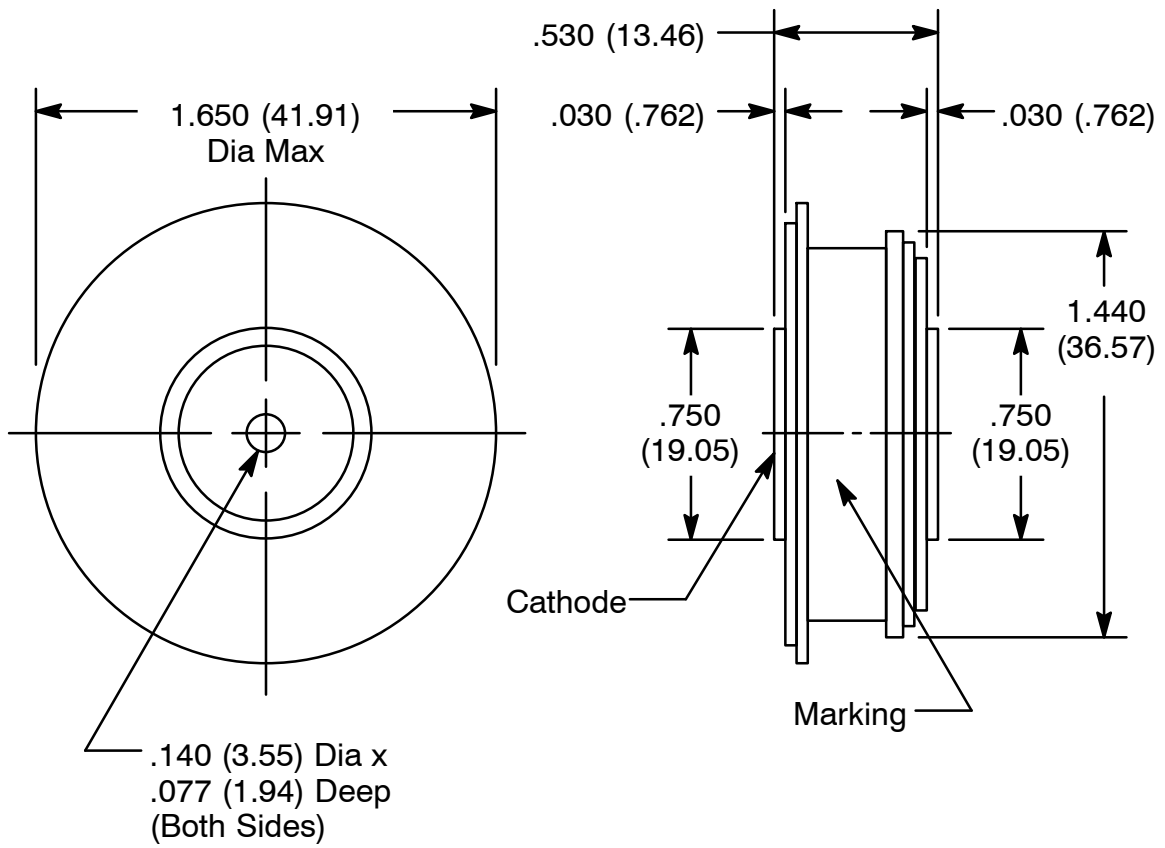
NTE6110, NTE6112, & NTE6120 Industrial Rectifier 500 Amp, DO200AA

Absolute Maximum Ratings: ($T_J = +190^\circ\text{C}$ unless otherwise specified)

Repetitive Voltage, V_{RRM}	
NTE6110	600V
NTE6112	1200V
NTE6120	1600V
Non-Repetitive Voltage, V_{RSM}	
NTE6110	700V
NTE6112	1300V
NTE6120	1700V
Average Forward Current, $I_{F(AV)}$	
500A	
RMS Current (+25°C Heatsink Temperature, Double Side Cooled), $I_{F(RMS)}$	
1420A	
DC Forward Current (+25°C Heatsink Temperature, Double Side Cooled), I_F	
1240A	
Peak One-Cycle Surge (Non-Repetitive) of Forward Current (8.3ms Duration), I_{FSM}	
60% V_{RRM} Re-Applied	7950A
$V_R \leq 10V$	8745A
Maximum Permissible Surge Energy, I^2t	
8.3ms Duration, 60% V_{RRM} Re-Applied	272570A ² s
8.3ms Duration, $V_R \leq 10V$	329800A ² s
3ms Duration, $V_R \leq 10V$	245000A ² s
Operating Temperature Range, T_{hs}	
-30° to +190°C	
Storage Temperature Range, T_{stg}	
-40° to +200°C	
Typical Thermal Resistance, Junction-to-Heatsink, $R_{th(j-hs)}$	
(For a Device with a Max Forward Volt-Drop)	
Single Side Cooled	0.18°C/W
Double Side Cooled	0.09°C/W

Electrical Characteristics: (Maximum Values @ $T_J = +190^\circ\text{C}$ unless otherwise specified)

Peak Forward Voltage Drop ($I_{FM} = 500A$), V_{FM}	1.4V
Forward Conduction Threshold Voltage, V_O	0.8V
Forward Conduction Slope Resistance, r	0.55mΩ
Peak Reverse Current (At V_{RRM}), I_{RRM}	15mA



X-ON Electronics

Largest Supplier of Electrical and Electronic Components

Click to view similar products for [nte manufacturer](#):

Other Similar products are found below :

[747](#) [797](#) [868](#) [1724](#) [NEH680M50FE](#) [NEHH1.0M450CB](#) [NTE48](#) [NTE526A](#) [228A](#) [231](#) [954](#) [2023](#) [47-20848-R](#) [510](#) [R04-11A30-120](#) [04-SLPE3750A](#) [5615](#) [591](#) [7056](#) [NTE5710](#) [7448](#) [NEH.10M50AA](#) [NEH2.2M63AA](#) [NEH330M35DD](#) [NEH33M10AA](#) [NEV.22M100AA](#) [TP0006-100](#) [NTE182](#) [NTE528](#) [NTE542](#) [NTE74154](#) [WH20-02-25](#) [04-SCBW25L-BK](#) [04-SCBW32L-BK](#) [04-SCW10C-BK](#) [04-SCBW19L-GR](#) [04-SCW19L-WH](#) [04-SCW19L-OR](#) [04-SCW38L-WH](#) [04-SCBW50L-OR](#) [04-SCBW50L-GR](#) [04-SCW10C-GR](#) [04-SCW10C-OR](#) [04-SCBW32L-GR](#) [04-SCBW32L-WH](#) [04-SCBW32L-OR](#) [04-SCBW6C-WH](#) [04-SCBW6C-GR](#) [04-SCBW6C-OR](#) [04-SCBW25L-GR](#)