



ELECTRONICS, INC.
 44 FARRAND STREET
 BLOOMFIELD, NJ 07003
 (973) 748-5089
<http://www.nteinc.com>

NTE6128 Silicon Power Rectifier Diode 430 Amp, DO200AA

Features:

- Fast Recovery Time
- Soft Recovery Characteristics
- High Surge Current Rating
- High Rated Blocking Voltages

Applications:

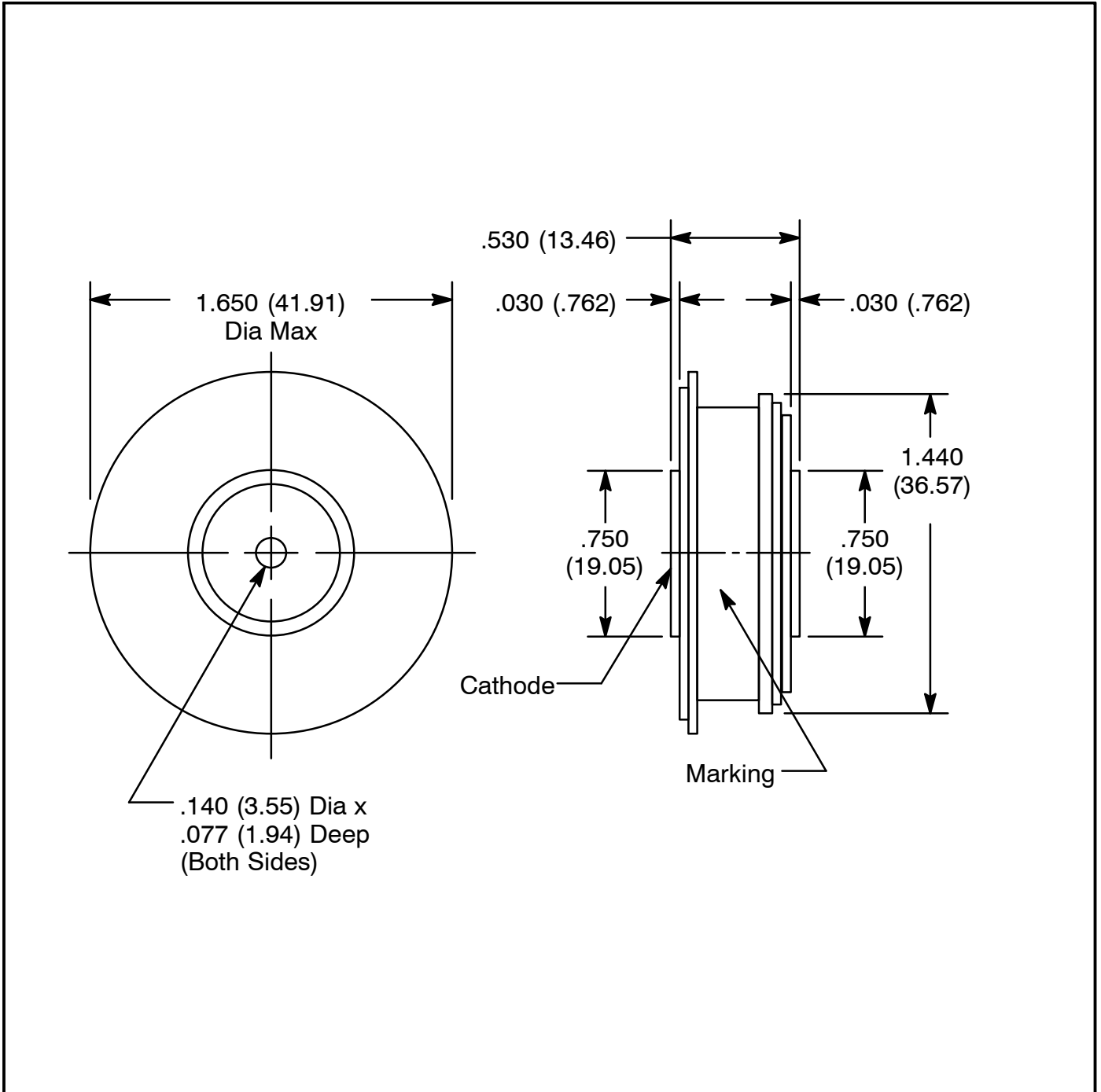
- Inverter
- Chopper
- Transmitter
- Free-Wheeling Diode

Absolute Maximum Ratings:

RMS Forward Current, $I_{F(rms)}$	625A
Average Forward Current, $I_{F(AV)}$	430A
Maximum Repetitive Peak Reverse Voltage, V_{RRM}	1400V
Maximum Reverse Current ($T_J = +150^{\circ}C$), I_{RRM}	50mA
Maximum Forward Surge Current (One Half Cycle), I_{FSM}	4500A
Maximum Permissible Surge Energy (8.3ms), I^2t	
For Fusing	85000A ² s
Of Package	20 x 10 ⁶ A ² s
Operating Junction Temperature Range, T_J	-40° to +150°C
Storage Temperature Range, T_{stg}	-40° to +190°C
Thermal Resistance, Junction-to-Case, R_{thJC}	0.095°C/W
Thermal Resistance, Case-to-Sink (Lubricated), R_{thCS}	0.025°C/W
Maximum Mounting Force, F	1000 to 1400 lbs.

Electrical Characteristics:

Parameter	Symbol	Test Conditions	Rating	Unit
Forward Voltage Drop	V_{FM}	$T_J = +25^{\circ}C, I_{FM} = 800A$	2.0	V
Repetitive Peak Reverse Voltage	V_{RRM}		1600	V
Non-Repertitive Peak Reverse Voltage	V_{RSM}	$t \leq 5ms$	1800	V
Reverse Leakage Current (Peak)	I_{RRM}	$T_J = +150C, V_{RRM} = 1400V$	50	mA
Maximum Reverse Recovery Time	t_{rr}	$I_{FM} = 785A, t_p = 100\mu s, di_F/dt = 25A/\mu s, T_C = +25^{\circ}C$	1.0	μs



X-ON Electronics

Largest Supplier of Electrical and Electronic Components

Click to view similar products for [nte manufacturer](#):

Other Similar products are found below :

[747](#) [797](#) [868](#) [1724](#) [NEH680M50FE](#) [NEHH1.0M450CB](#) [NTE48](#) [NTE526A](#) [228A](#) [231](#) [954](#) [2023](#) [47-20848-R](#) [510](#) [R04-11A30-120](#) [04-SLPE3750A](#) [5615](#) [591](#) [7056](#) [NTE5710](#) [7448](#) [NEH.10M50AA](#) [NEH2.2M63AA](#) [NEH330M35DD](#) [NEH33M10AA](#) [NEV.22M100AA](#) [TP0006-100](#) [NTE182](#) [NTE528](#) [NTE542](#) [NTE74154](#) [WH20-02-25](#) [04-SCBW25L-BK](#) [04-SCBW32L-BK](#) [04-SCW10C-BK](#) [04-SCBW19L-GR](#) [04-SCW19L-WH](#) [04-SCW19L-OR](#) [04-SCW38L-WH](#) [04-SCBW50L-OR](#) [04-SCBW50L-GR](#) [04-SCW10C-GR](#) [04-SCW10C-OR](#) [04-SCBW32L-GR](#) [04-SCBW32L-WH](#) [04-SCBW32L-OR](#) [04-SCBW6C-WH](#) [04-SCBW6C-GR](#) [04-SCBW6C-OR](#) [04-SCBW25L-GR](#)