



ELECTRONICS, INC.
 44 FARRAND STREET
 BLOOMFIELD, NJ 07003
 (973) 748-5089
<http://www.nteinc.com>



NTE6156 & NTE6157
Silicon Industrial Rectifier
150 Amp, DO8

Description:

The NTE6156 and NTE6157 are power rectifiers in a stud mounted DO8 type package. These power rectifiers are ideal for a broad range of commercial uses including power supplies, ultrasonic systems, inverters, welders, emergency generators, battery chargers, DC motors, and motor controls.

Features:

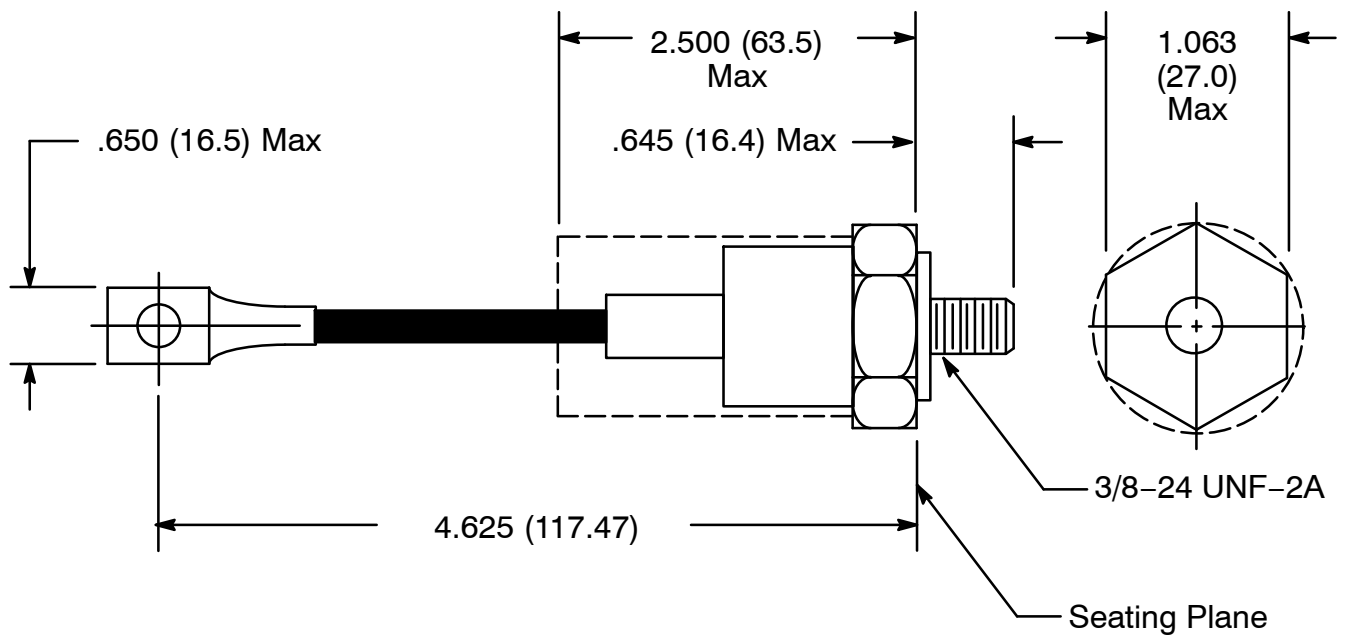
- Alloy Diode
- Standard DO8 Type Package
- Available in Cathode to Case (NTE6156) and Anode to Case (NTE6157) Polarity
- Recommended Stud Mounting Torque (Non-Lubricated): 2.0 M-Kg (Min) – 3.0 M-Kg (Max)

Applications:

- Welders
- Power Supplies
- Motor Controls
- Battery Chargers
- General Industrial Current Rectification

Electrical Ratings:

Maximum Repetitive Peak Reverse Voltage, V_{RRM}	600V
Maximum Non-Repetitive Peak Reverse Voltage, V_{RSM}	700V
Maximum RMS Reverse Voltage, $V_{R(RMS)}$	420V
Maximum DC Blocking Voltage, V_R	600V
Recommended RMS Working Voltage	240V
Maximum Peak Reverse Leakage Current ($V_{RRM} = 600V$, $T_C = +130^\circ C$), I_{RM}	12mA
Maximum Average Forward Current ($T_C = +130^\circ C$), $I_{F(AV)}$	150A
Maximum Peak Forward Voltage Drop (At Rated $I_{F(peak)}$), V_{FM}	1.4V
Maximum Peak One Cycle (Non-Repetitive) Surge Current (10ms), I_{FSM}	3570A
Maximum Repetitive Peak Forward Current, I_{FRM}	750A
Maximum I^2t (Non-Repetitive) for Fusing (10ms)	64000A ² Sec
Maximum Forward Current Single Phase Half Wave ($T_C = +125^\circ C$), I_O	150A
Storage Temperature Range, T_{stg}	-40° to +200°C
Operating Junction Temperature Range, T_J	-40° to +200°C
Maximum Thermal Resistance, Junction-to-Case, R_{thJC}	0.25°C/W Max



X-ON Electronics

Largest Supplier of Electrical and Electronic Components

Click to view similar products for [nte manufacturer](#):

Other Similar products are found below :

[747](#) [797](#) [868](#) [1724](#) [NEH680M50FE](#) [NEHH1.0M450CB](#) [NTE48](#) [NTE526A](#) [228A](#) [231](#) [954](#) [2023](#) [47-20848-R](#) [510](#) [R04-11A30-120](#) [04-SLPE3750A](#) [5615](#) [591](#) [7056](#) [NTE5710](#) [7448](#) [NEH.10M50AA](#) [NEH2.2M63AA](#) [NEH330M35DD](#) [NEH33M10AA](#) [NEV.22M100AA](#) [TP0006-100](#) [NTE182](#) [NTE528](#) [NTE542](#) [NTE74154](#) [WH20-02-25](#) [04-SCBW25L-BK](#) [04-SCBW32L-BK](#) [04-SCW10C-BK](#) [04-SCBW19L-GR](#) [04-SCW19L-WH](#) [04-SCW19L-OR](#) [04-SCW38L-WH](#) [04-SCBW50L-OR](#) [04-SCBW50L-GR](#) [04-SCW10C-GR](#) [04-SCW10C-OR](#) [04-SCBW32L-GR](#) [04-SCBW32L-WH](#) [04-SCBW32L-OR](#) [04-SCBW6C-WH](#) [04-SCBW6C-GR](#) [04-SCBW6C-OR](#) [04-SCBW25L-GR](#)