



ELECTRONICS, INC.
 44 FARRAND STREET
 BLOOMFIELD, NJ 07003
 (973) 748-5089
<http://www.nteinc.com>

NTE6154 thru NTE6165 Silicon Industrial Rectifier 150 Amp, DO8

Description:

The NTE6154 through NTE6165 power rectifiers are stud mounted DO8 type packages. Because the silicon junction is carefully fitted within a glass-to-metal hermetically sealed case, reliable operation is assured even with extreme humidity and under other severe environmental conditions.

These power rectifiers are ideal for a broad range of commercial uses including power supplies, ultrasonic systems, inverters, welders, emergency generators, battery chargers, DC motors, and motor controls.

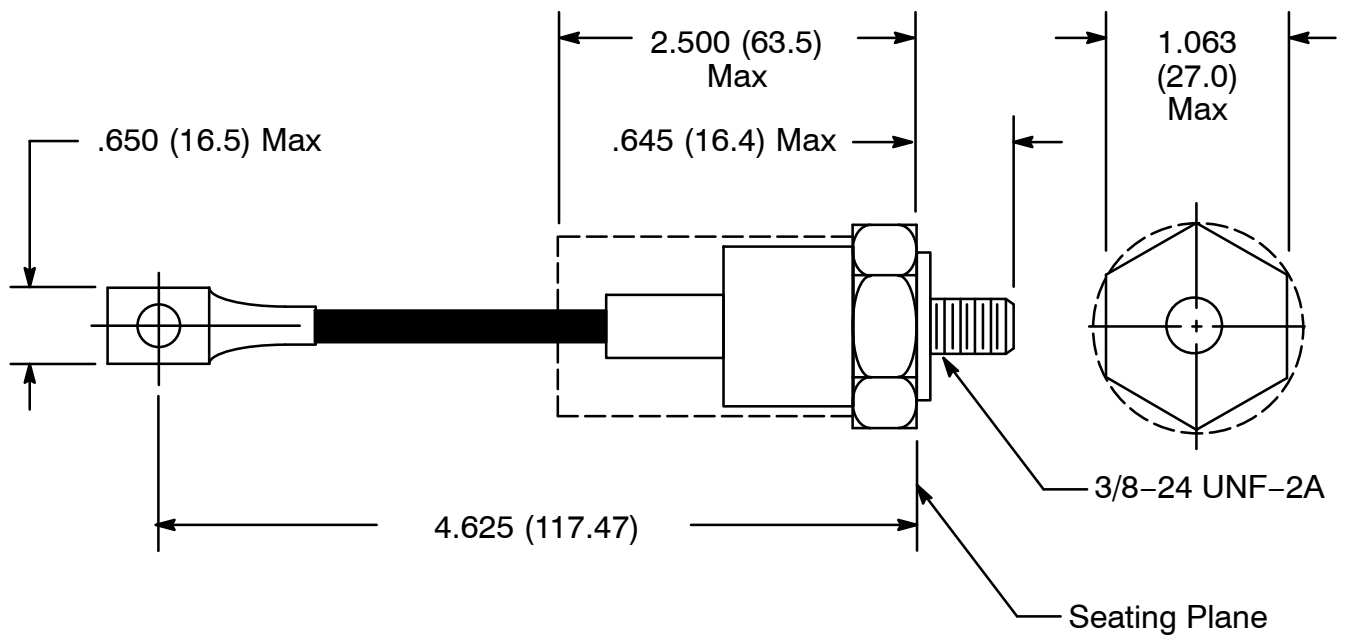
Features:

- Standard DO8 Type Package
- Available in Standard (Cathode to Case) and Reverse (Anode to Case) Polarity
- Recommended Stud Mounting Torque: 120in. lbs. Lubricated.

Electrical Ratings:

Peak Reverse Voltage, P_{RV}	
NTE6154, NTE6155*	400V
NTE6158, NTE6159*	1000V
NTE6162, NTE6163*	1400V
NTE6164, NTE6165*	1600V
Maximum Forward Current Single Phase Half Wave ($T_C = +125^\circ\text{C}$), I_O	150A
Maximum Surge Current, Single Cycle, I_{FSM}	2100A
Maximum Forward Voltage Drop ($T_C = +25^\circ\text{C}$, $I_O = 200\text{A}$), V_F	1.1V
Maximum Reverse Current (FCA @ $+150^\circ\text{C}$), I_R	5mA
Maximum I^2t for Fusing (less than 8ms)	18200A ² Sec
Reverse Power for Bulk Available	1.0Joules
Storage Temperature Range, T_{stg}	-65° to $+200^\circ\text{C}$
Operating Temperature Range, T_{opr}	-65° to $+190^\circ\text{C}$
Maximum Thermal Impedance (Junction-to-Case)	0.35 $^\circ\text{C}/\text{W}$ Max

* Indicates Anode to Case polarity



X-ON Electronics

Largest Supplier of Electrical and Electronic Components

Click to view similar products for [nte manufacturer](#):

Other Similar products are found below :

[747](#) [797](#) [868](#) [1724](#) [NEH680M50FE](#) [NEHH1.0M450CB](#) [NTE48](#) [NTE526A](#) [228A](#) [231](#) [954](#) [2023](#) [47-20848-R](#) [510](#) [R04-11A30-120](#) [04-SLPE3750A](#) [5615](#) [591](#) [7056](#) [NTE5710](#) [7448](#) [NEH.10M50AA](#) [NEH2.2M63AA](#) [NEH330M35DD](#) [NEH33M10AA](#) [NEV.22M100AA](#) [TP0006-100](#) [NTE182](#) [NTE528](#) [NTE542](#) [NTE74154](#) [WH20-02-25](#) [04-SCBW25L-BK](#) [04-SCBW32L-BK](#) [04-SCW10C-BK](#) [04-SCBW19L-GR](#) [04-SCW19L-WH](#) [04-SCW19L-OR](#) [04-SCW38L-WH](#) [04-SCBW50L-OR](#) [04-SCBW50L-GR](#) [04-SCW10C-GR](#) [04-SCW10C-OR](#) [04-SCBW32L-GR](#) [04-SCBW32L-WH](#) [04-SCBW32L-OR](#) [04-SCBW6C-WH](#) [04-SCBW6C-GR](#) [04-SCBW6C-OR](#) [04-SCBW25L-GR](#)