



ELECTRONICS, INC.

44 FARRAND STREET
BLOOMFIELD, NJ 07003
(973) 748-5089

NTE6246 & NTE6247 Ultrafast Switchmode Power Rectifier, 30 Amp

Features:

- Low Forward Drop
- Current Derating Specified at both Case and Ambient Temperatures

Applications:

- Switching Power Supplies
- Inverters
- For use as Free Wheeling Diodes

Absolute Maximum Ratings:

Peak Repetitive Reverse Voltage, V_{RRM}	
NTE6246	200V
NTE6247	600V
Working Peak Reverse Voltage, V_{RWM}	
NTE6246	200V
NTE6247	600V
DC Blocking Voltage, V_R	
NTE6246	200V
NTE6247	600V
Average Rectified Forward Current, (Rated V_R), $I_F(AV)$	
Per Leg ($T_C = +150^\circ C$ (NTE6246), $T_C = +145^\circ C$ (NTE6247))	15A
Per Device ($T_C = +150^\circ C$ (NTE6246), $T_C = +145^\circ C$ (NTE6247))	30A
Peak Repetitive Forward Current, Per Leg, I_{FRM}	
(Rated V_R , Square Wave, 20kHz), $T_C = +150^\circ C$ (NTE6246), $T_C = +145^\circ C$ (NTE6247) .	30A
Nonrepetitive Peak Surge Current, I_{FSM}	
(Surge applied at rated load conditions halfwave, single phase, 60Hz) Per Leg	
NTE6246	200A
NTE6247	150A
Operating Junction Temperature Range, T_J	-65° to $+175^\circ C$
Storage Temperature Range, T_{stg}	-65° to $+175^\circ C$
Maximum Thermal Resistance (Per Diode Leg)	
Junction-to-Case, R_{thJC}	1.5°C/W
Junction-to-Ambient, R_{thJA}	40°C/W

Electrical Characteristics (Per Diode Leg):

Maximum Instantaneous Forward Voltage, v_F

($i_F = 15A$, $T_C = +150^\circ C$, Note 1)

NTE6246 0.85V

NTE6247 1.2V

($i_F = 15A$, $T_C = +25^\circ C$, Note 1)

NTE6246 1.05V

NTE6247 1.5V

Maximum Instantaneous Reverse Current, i_R

(Rated DC Voltage, $T_C = +150^\circ C$, Note 1)

NTE6246 500 μA

NTE6247 1000 μA

(Rated DC Voltage, $T_C = +25^\circ C$, Note 1) 10 μA

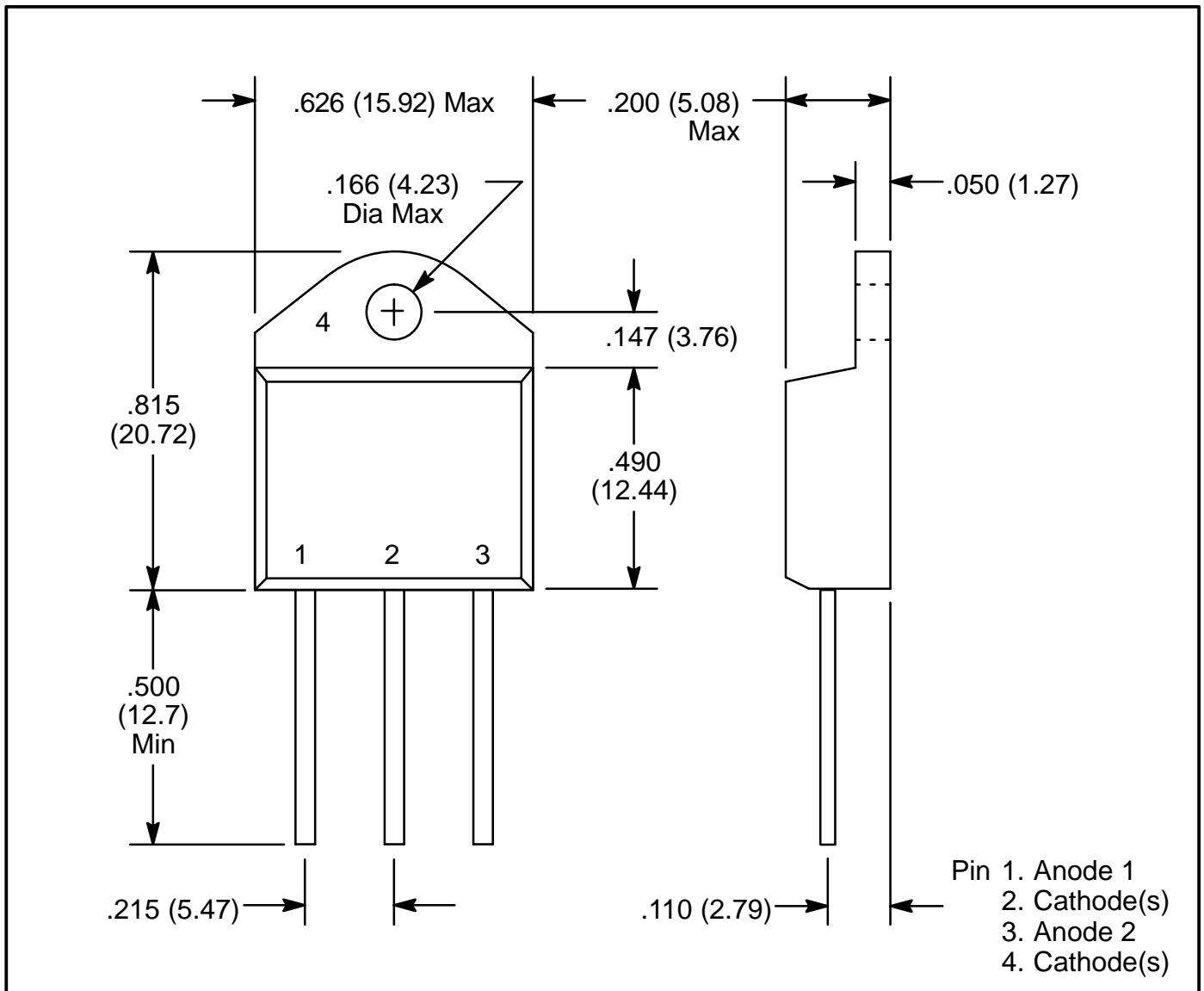
Maximum Reverse Recovery Time, t_{rr}

($I_F = 1A$, $di/dt = 50A/\mu s$)

NTE6246 35ns

NTE6247 60ns

Note 1. Pulse Test: Pulse Width = 300 μs , Duty Cycle $\leq 2\%$.



X-ON Electronics

Largest Supplier of Electrical and Electronic Components

Click to view similar products for [nte manufacturer](#):

Other Similar products are found below :

[747](#) [797](#) [868](#) [1724](#) [NEH680M50FE](#) [NEHH1.0M450CB](#) [NTE48](#) [NTE526A](#) [228A](#) [231](#) [954](#) [2023](#) [47-20848-R](#) [510](#) [R04-11A30-120](#) [04-SLPE3750A](#) [5615](#) [591](#) [7056](#) [NTE5710](#) [7448](#) [NEH.10M50AA](#) [NEH2.2M63AA](#) [NEH330M35DD](#) [NEH33M10AA](#) [NEV.22M100AA](#) [TP0006-100](#) [NTE182](#) [NTE528](#) [NTE542](#) [NTE74154](#) [WH20-02-25](#) [04-SCBW25L-BK](#) [04-SCBW32L-BK](#) [04-SCW10C-BK](#) [04-SCBW19L-GR](#) [04-SCW19L-WH](#) [04-SCW19L-OR](#) [04-SCW38L-WH](#) [04-SCBW50L-OR](#) [04-SCBW50L-GR](#) [04-SCW10C-GR](#) [04-SCW10C-OR](#) [04-SCBW32L-GR](#) [04-SCBW32L-WH](#) [04-SCBW32L-OR](#) [04-SCBW6C-WH](#) [04-SCBW6C-GR](#) [04-SCBW6C-OR](#) [04-SCBW25L-GR](#)