



ELECTRONICS, INC.
 44 FARRAND STREET
 BLOOMFIELD, NJ 07003
 (973) 748-5089

NTE6410 Unijunction Transistor (UJT)

Description:

The NTE6410 is a PN unijunction transistor in a TO92 type package designed for use in pulse and timing circuits, sensing circuits and thyristor trigger circuits.

Absolute Maximum Ratings: ($T_A = +25^\circ\text{C}$ unless other specified)

RMS Power Dissipation, P_D	300mW
Derate Above 25°C	3.0mW/ $^\circ\text{C}$
RMS Emitter Current, I_E	50mA
Peak-Pulse Emitter Current (Note 1), I_E	1.5A
Emitter Reverse Voltage, V_{B2E}	30V
Interbase Voltage (Note 2), V_{B2B1}	35V
Operating Junction Temperature Range, T_J	-65° to $+125^\circ\text{C}$
Storage Temperature Range, T_{stg}	-65° to $+150^\circ\text{C}$

Note 1. Duty cycle $\leq 1\%$, PRR = 10 PPS

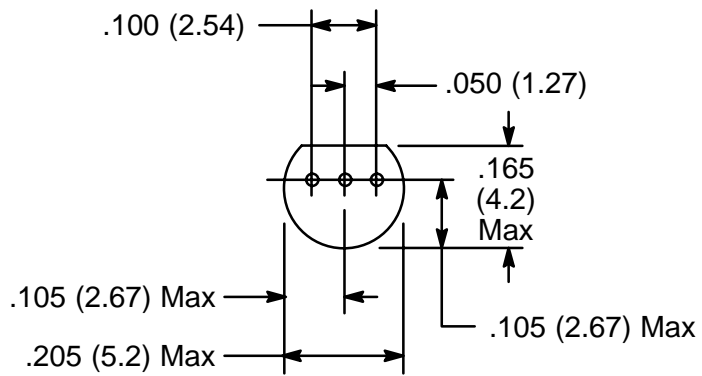
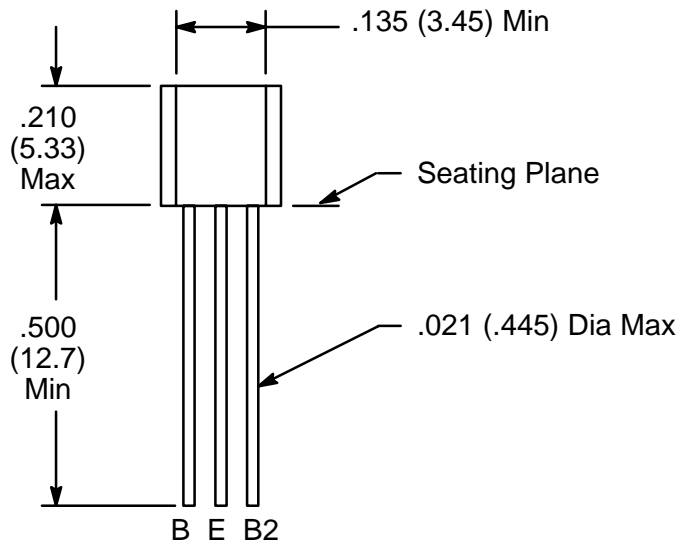
Note 2. Based upon power dissipation at $T_A = +25^\circ\text{C}$

Electrical Characteristics: ($T_A = +25^\circ\text{C}$ unless other specified)

Parameter	Symbol	Test Conditions	Min	Typ	Max	Unit
Intrinsic Standoff Ratio	η	$V_{B2B1} = 10\text{V}$, Note 3	0.70	–	0.85	
Interbase Resistance	R_{BB}		4.0	6.0	9.1	k Ω
Interbase Resistance Temperature Coefficient	αR_{BB}		0.1	–	0.9	%/ $^\circ\text{C}$
Emitter Saturation Voltage	$V_{BE1(sat)}$	$V_{B2B1} = 10\text{V}$, $I_E = 50\text{mA}$, Note 4	–	2.5	–	V
Modulated Interbase Current	$I_{B2(Mod)}$	$V_{B2B1} = 10\text{V}$, $I_E = 50\text{mA}$	–	15	–	mA
Emitter Reverse Current	I_{EB2O}	$V_{B2E} = 30\text{V}$, $I_{B1} = 0$	–	0.005	1.0	μA
Peak-Point Emitter Current	I_P	$V_{B2B1} = 25\text{V}$	–	1.0	5.0	μA
Valley-Point Current	I_V	$V_{B2B1} = 20\text{V}$, $R_{B2} = 100\Omega$, Note 4	4.0	7.0	–	mA
Base-One Peak Pulse Voltage	V_{OB1}		5.0	8.0	–	V

Note 3. Intrinsic standoff ratio, is defined in terms of peak-point voltage, V_P , by means of the equation: $V_P = \eta V_{B2B1} V_F$, where V_F is approximately 0.49 volts at $+25^\circ\text{C}$ @ $I_F = 10\mu\text{A}$ and decreases with temperature at approximately $2.5\text{mV}/^\circ\text{C}$. Components R_1 , C_1 , and the UJT form a relaxation oscillator, the remaining circuitry serves as a peak-voltage detector. The forward drop of Diode D_1 compensates for V_F . To use, the “call” button is pushed, and R_3 is adjusted to make the current meter, M_1 , read full scale. When the “call” button is released, the value of η is read directly from the meter, if full scale on the meter reads 1.0.

Note 4. Use pulse techniques: $PW \sim 300\mu\text{s}$, duty cycle $\leq 2.0\%$ to avoid internal heating, which may result in erroneous readings.



X-ON Electronics

Largest Supplier of Electrical and Electronic Components

Click to view similar products for [MOSFET](#) category:

Click to view products by [NTE](#) manufacturer:

Other Similar products are found below :

[614233C](#) [648584F](#) [MCH3443-TL-E](#) [MCH6422-TL-E](#) [FDPF9N50NZ](#) [FW216A-TL-2W](#) [FW231A-TL-E](#) [APT5010JVR](#) [NTNS3A92PZT5G](#)
[IRF100S201](#) [JANTX2N5237](#) [2SK2464-TL-E](#) [2SK3818-DL-E](#) [FCA20N60_F109](#) [FDZ595PZ](#) [STD6600NT4G](#) [FSS804-TL-E](#) [2SJ277-DL-E](#)
[2SK1691-DL-E](#) [2SK2545\(Q,T\)](#) [405094E](#) [423220D](#) [MCH6646-TL-E](#) [TPCC8103,L1Q\(CM](#) [367-8430-0972-503](#) [VN1206L](#) [424134F](#)
[026935X](#) [051075F](#) [SBVS138LT1G](#) [614234A](#) [715780A](#) [NTNS3166NZT5G](#) [751625C](#) [873612G](#) [IRF7380TRHR](#) [IPS70R2K0CEAKMA1](#)
[RJK60S3DPP-E0#T2](#) [RJK60S5DPK-M0#T0](#) [APT5010JVFR](#) [APT12031JFLL](#) [APT12040JVR](#) [DMN3404LQ-7](#) [NTE6400](#) [JANTX2N6796U](#)
[JANTX2N6784U](#) [JANTXV2N5416U4](#) [SQM110N05-06L-GE3](#) [SIHF35N60E-GE3](#) [2SK2614\(TE16L1,Q\)](#)