



ELECTRONICS, INC.
 44 FARRAND STREET
 BLOOMFIELD, NJ 07003
 (973) 748-5089
<http://www.nteinc.com>

NTE910 & NTE910D Integrated Circuits High-Speed Differential Comparator

Description:

The NTE910 (8-Lead Metal Can) and NTE910D (14-Lead DIP) are differential voltage comparators intended for applications requiring high accuracy and faast response times. The device is useful as a variable threshold Schmitt trigger, a pulse-height discriminator, a voltage comparator in high-speed A/D converters, a memory sense amplifier or a high noise immunity line receiver. The output of the comparator is compatible with all intergrated logic forms.

Features:

- 5mV Maximum Offset Voltage
- 5μA Maximum Offset Current
- 1000 Minimum Voltage Gain
- 20μV/°C Maximum Offset Voltage Drift

Absolute Maximum Ratings:

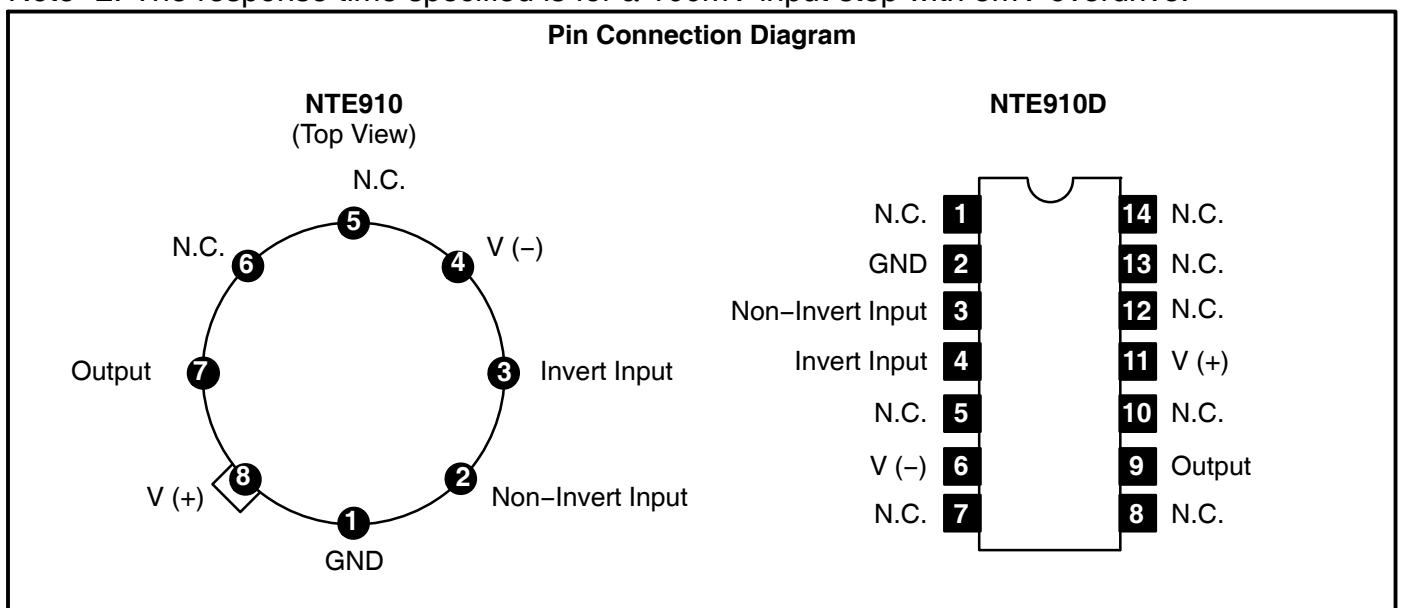
Positive Supply Voltage	±14V
Negative Supply Voltage	-7V
Peak Output Current	10mA
Differential Input Voltage	±5V
Input Voltage	±7V
Power Dissipation (T _A ≤ +70°C)	
NTE910	500mW
Derate Linearly Above +70°C	6.3mW/°C
NTE910D	670mW
Derate Linearly Above +70°C	8.3mW/°C
Storage Temperature Range	
NTE910	-65° to +150°C
NTE910D	-55° to +125°C
Operating Temperature Range	0° to +70°C
Lead Temperature (During Soldering)	
NTE910 (60sec)	+300°C
NTE910D (10sec)	+260°C

Electrical Characteristics: ($T_A = +25^\circ\text{C}$, $V_+ = 12\text{V}$, $V_- = -6\text{V}$ unless otherwise specified)

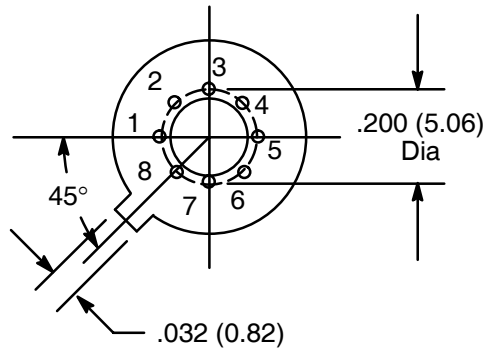
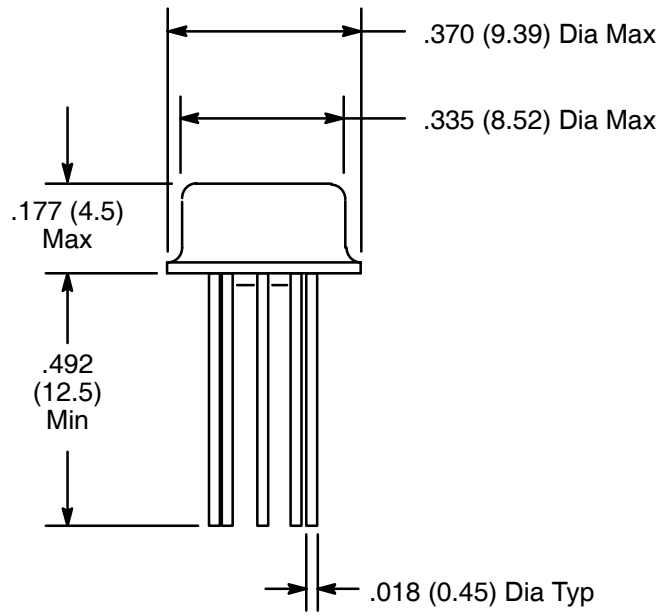
Parameter	Test Conditions (Note 1)	Min	Typ	Max	Unit
Input Offset Voltage	$R_A \leq 200\Omega$	-	1.6	5.0	mV
	$T_A = 0^\circ$ to $+70^\circ\text{C}$	-	-	6.5	mV
Input Offset Current		-	1.8	5.0	μA
	$T_A = 0^\circ$ to $+70^\circ\text{C}$	-	-	7.5	μA
Input Bias Current		-	16	25	μA
	$T_A = 0^\circ\text{C}$	-	25	40	μA
Voltage Gain		1000	1500	-	
	$T_A = 0^\circ$ to $+70^\circ\text{C}$	800	-	-	
Output Resistance		-	200	-	Ω
Output Sink Current	$\Delta V_{IN} \geq 5\text{mV}$, $V_{OUT} = 0$	1.6	2.5	-	mA
	$T_A = 0^\circ$ to $+70^\circ\text{C}$	0.5	-	-	mA
Response Time	Note 2	-	40	-	ns
Average Temperature Coefficient of Input Offset Voltage	$R_S = 50\Omega$, $T_A = 0^\circ$ to $+70^\circ\text{C}$	-	5.0	20	$\mu\text{V}/^\circ\text{C}$
Average Temperature Coefficient of Input Offset Current	$T_A = +25^\circ$ to $+70^\circ\text{C}$	-	15	50	$\text{nA}/^\circ\text{C}$
	$T_A = +25^\circ$ to 0°C	-	24	100	$\text{nA}/^\circ\text{C}$
Input Voltage Range	$V = -7\text{V}$, $T_A = 0^\circ$ to $+70^\circ\text{C}$	± 5	-	-	V
Common Mode Rejection Ratio	$R_A \leq 200\Omega$, $T_A = 0^\circ$ to $+70^\circ\text{C}$	70	98	-	dB
Output HIGH Voltage	$\Delta V_{IN} \geq 5\text{mV}$, $0 \leq I_{OUT} \leq 5\text{mA}$, $T_A = 0^\circ$ to $+70^\circ\text{C}$	2.5	3.2	4.0	V
Output LOW Voltage	$\Delta V_{IN} \geq 5\text{mV}$, $T_A = 0^\circ$ to $+70^\circ\text{C}$	-1.0	-0.5	0	V
Output Sink Current	$\Delta V_{IN} \geq 5\text{mV}$, $V_{OUT} = 0$, $T_A = 0^\circ$ to $+70^\circ\text{C}$	0.5	-	-	mA
Positive Supply Current	$V_{OUT} \leq 0$, $T_A = 0^\circ$ to $+70^\circ\text{C}$	-	5.2	9.0	mA
Negative Supply Current	$V_{OUT} = \text{GND}$, Inverting Input = 5mV , $T_A = 0^\circ$ to $+70^\circ\text{C}$	-	4.6	7.0	mA
Power Consumption	$V_{OUT} = \text{GND}$, Inverting Input = 10mV , $T_A = 0^\circ$ to $+70^\circ\text{C}$	-	90	150	mW

Note 1. The input offset voltage and input offset current are specified for a logic threshold voltage as follows: 1.5V at 0°C , 1.4V at $+25^\circ\text{C}$, and 1.2V at $+70^\circ\text{C}$.

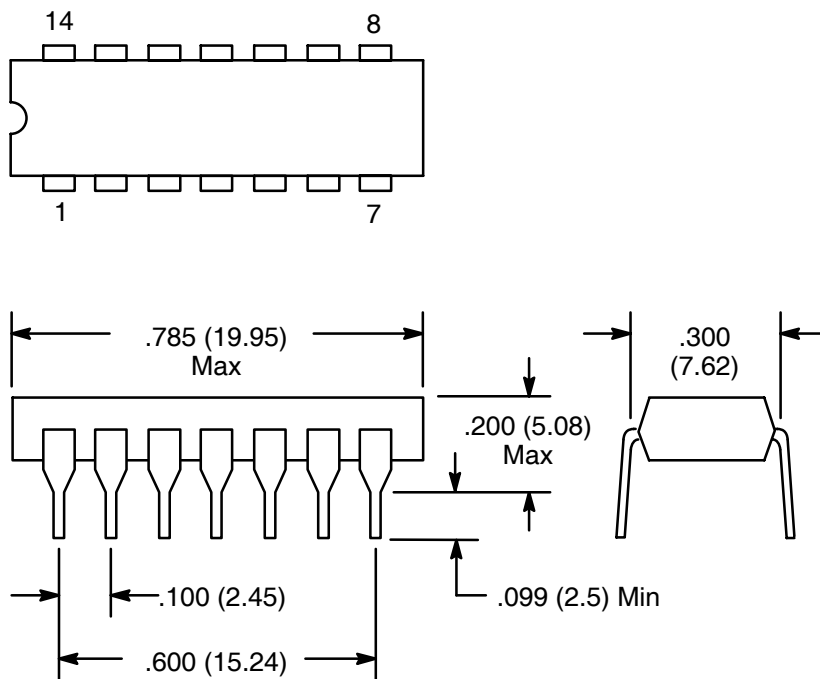
Note 2. The response time specified is for a 100mV input step with 5mV overdrive.



NTE910



NTE910D



X-ON Electronics

Largest Supplier of Electrical and Electronic Components

Click to view similar products for [Analog Comparators](#) category:

Click to view products by [NTE manufacturer](#):

Other Similar products are found below :

[633740E](#) [ADCMP396ARZ-RL7](#) [NCV2200SN2T1G](#) [NCV2200SQ2T2G](#) [SC339DR2G](#) [LM2901SNG](#) [LM339SNG](#) [AP393AM8G-13](#)
[418524AB](#) [TS393CD C3](#) [LM393SNG](#) [55122](#) [5962-8757203IA](#) [MAX971ESA+T](#) [MAX961ESAT](#) [MAX944ESD+T](#) [MAX931ESAT](#)
[MAX984CPE](#) [MAX9062EBSTG45](#) [MAX9041AEUTT](#) [MAX9022ASAT](#) [RT2902YDT](#) [M38510/11201B2A](#) [NTE911](#) [5962-8751601DA](#)
[5962-8751601CA](#) [MAX961EUA+T](#) [MAX9065EBS+TG45](#) [NCV2202SN2T1G](#) [MAX919ESA+T](#) [LT6700HS6-2#TRMPBF](#) [MAX19005CCS+](#)
[LM339EDR2G](#) [LT6700HS6-2#TRM](#) [NTE919](#) [NTE922](#) [TS883IQ2T](#) [LT6700HVCS6-3#TRMPBF](#) [LT6700HVHS6-3#TRMPBF](#)
[MAX978EEE+T](#) [MAX975ESA+T](#) [MAX9602EUG+T](#) [MAX997EUA+T](#) [MIC841NYC5-T5](#) [LM393WDT](#) [MCP6564T-E/STVAO](#)
[MAX983ESA+T](#) [NCX2200GMAZ](#) [LTC1540CMS8#PBF](#) [MC10E1651FNG](#)