



ELECTRONICS, INC.
 44 FARRAND STREET
 BLOOMFIELD, NJ 07003
 (973) 748-5089

NTE952 Integrated Circuit Precision 2.5V Shunt

Description:

The NTE952 integrated circuit is a precision 2.5V shunt regulator diode. This monolithic IC voltage reference operates as a low temperature coefficient 2.5V zener with 0.2Ω dynamic impedance. This device is rated for operation over a 0° to +70°C temperature range and is available in a TO-92 package.

Features:

- Low Temperature Coefficient
- Wide Operating Current of 300μA to 10mA
- 0.2Ω Dynamic Impedance
- ±1% Initial Tolerance Available
- Guaranteed Temperature Stability
- Easily Trimmed for Minimum Temperature Drift
- Fast Turn-On

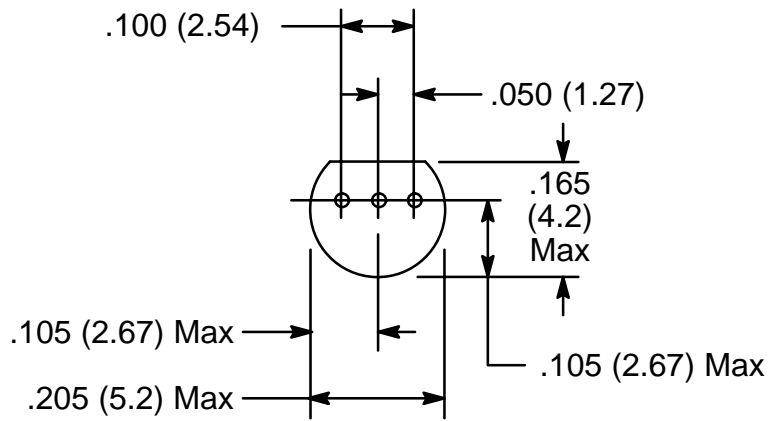
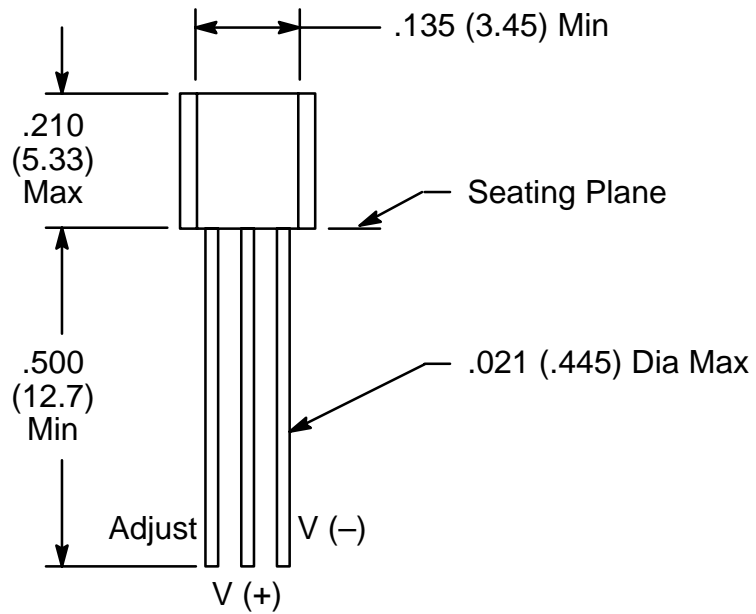
Absolute Maximum Ratings:

Reverse Current, I_R 15mA
 Forward Current, I_F 10mA
 Operating Temperature Range, T_{opr} 0° to +70°C
 Storage Temperature Range, T_{stg} -60° to +150°C
 Lead Temperature (During Soldering, 10sec), T_L +300°C

Electrical Characteristics: (0° ≤ T_A ≤ +70°C, Note 1 unless otherwise specified)

Parameter	Test Conditions	Min	Typ	Max	Unit
Reverse Breakdown Voltage	$T_A = +25^\circ\text{C}$, $I_R = 1\text{mA}$	2.390	2.490	2.590	V
Reverse Breakdown Change with Current	$T_A = +25^\circ\text{C}$, $400\mu\text{A} \leq I_R \leq 10\text{mA}$	-	2.6	10	mV
Reverse Dynamic Impedance	$T_A = 25^\circ\text{C}$, $I_R = 1\text{mA}$	-	0.2	1	Ω
Temperature Stability	V_R Adjusted to 2.490V, $I_R = 1\text{mA}$	-	1.8	6	mV
Reverse Breakdown Change with Current	$400\mu\text{A} \leq I_R \leq 10\text{mA}$	-	3	12	mV
Reverse Dynamic Impedance	$I_R = 1\text{mA}$	-	0.4	1.4	Ω
Long Term Stability	$T_A = +25^\circ\text{C} \pm 0.1^\circ\text{C}$, $I_R = 1\text{mA}$	-	-	20	ppm

Note 1 Unless otherwise specified the NTE952 is specified from 0°C ≤ T_A ≤ +70°C. The maximum junction temperature is 100°C. For elevated junction temperature the derating is based on 180°C/W junction to ambient with 0.4" leads from a PC board and 160°C/W junction to ambient with 0.125" lead length to a PC board.



X-ON Electronics

Largest Supplier of Electrical and Electronic Components

Click to view similar products for [Voltage References](#) category:

Click to view products by [NTE manufacturer](#):

Other Similar products are found below :

[622664A](#) [636116E](#) [748389C](#) [AS431ARTR-E1](#) [NCP431BCSNT1G](#) [NCP432BCSNT1G](#) [NCV431BSNT1G](#) [AP4313UKTR-G1](#)
[TL1431AIYDT](#) [AZ431BR-ATRE1](#) [622668D](#) [NCP432BVSNT1G](#) [5962-8686103XC](#) [NCV431BVDMR2G](#) [AP4306BUKTR-G1](#)
[SC431BVSNT1G](#) [MAX6023EBT30+T](#) [NCV431ASNT1G](#) [LM4040CEM3-5.0/V+T](#) [LT1460KCS3-3#TRM](#) [LT1460KCS3-3.3#TRM](#)
[LT1019AIS8-2.5](#) [LT6660KCDC-10#TRMPBF](#) [LTC6652BHLS8-5#PBF](#) [LTC6652AHLS8-4.096#PBF](#) [LTC6655BHLS8-4.096#PBF](#)
[LT6660HCDC-5#TRMPBF](#) [LM336Z-2.5#PBF](#) [LT1021BMH-10](#) [SC431ILPRAG](#) [TLVH431MIL3T](#) [MAX6023EBT21+T](#) [AP432AQG-7](#)
[ADR4540CRZ](#) [LM4040B25QFTA](#) [TS3325AQPR](#) [REF102AU/2K5](#) [TL4050B25QDBZR](#) [TL4051C12QDCKR](#) [TL431ACZ](#) [KA431SLMF2TF](#)
[KA431SMF2TF](#) [KA431SMFTF](#) [LM385BXZ/NOPB](#) [LM4040QCEM3-3.0/NOPB](#) [LM4041C12ILPR](#) [LM4050AEM3X-5.0/NOPB](#)
[LM4050AIM3X-5.0/NOPB](#) [LM4120AIM5-2.5/NOP](#) [LM431SCCMFX](#)