



ELECTRONICS, INC.
 44 FARRAND STREET
 BLOOMFIELD, NJ 07003
 (973) 748-5089

NTE976 Integrated Circuit Operational Amplifier

Description:

The NTE976 is a general purpose operational amplifier with the necessary frequency compensation built into a single 8-Lead DIP type package. Advanced processing techniques make the input currents a factor of ten lower than industry standards like the NTE909. Yet, it is a direct plug-in replacement for the NTE909 and the NTE941M.

This device provides better accuracy and lower noise in high impedance circuitry. The low input currents also make it particularly well suited for long interval integrators or timers, sample and hold circuits, and low frequency waveform generators. Further, replacing circuits where matched transistor pairs buffer the inputs of conventional IC op amps, the NTE976 can give lower offset voltage and drift at a lower cost.

Features:

- Offset Voltage over Temperature: 3mV Max
- Input Current over Temperature: 100nA Max
- Offset Current over Temperature: 20nA Max
- Guaranteed Drift Characteristics

Absolute Maximum Ratings:

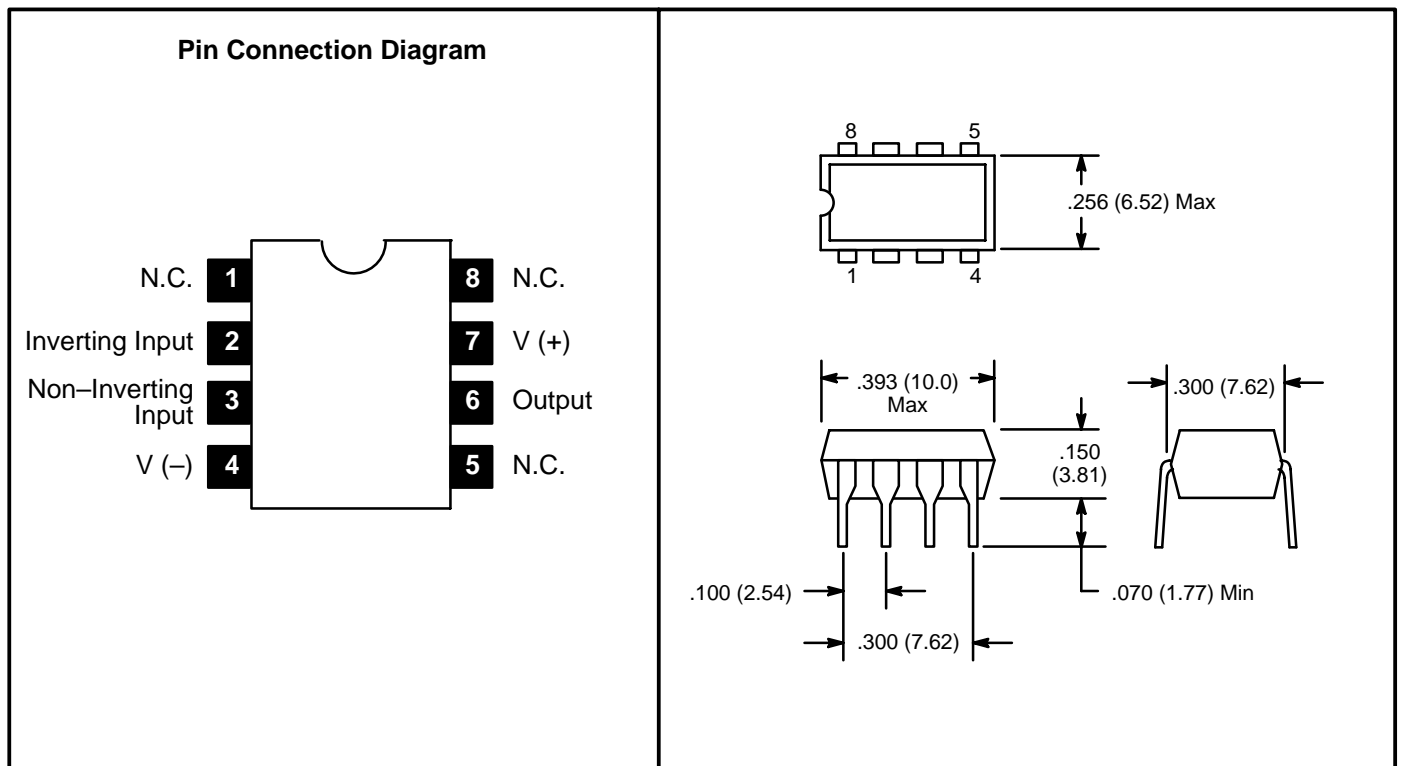
Supply Voltage,	
V_{CC}	+18V
V_{EE}	-18V
Power Dissipation (Note 1), P_D	500mW
Differential Input Voltage, V_{ID}	$\pm 30V$
Input Voltage (Note 2), V_{IN}	15V
Output Short-Circuit Duration, t_s	Indefinite
Operating Temperature Range, T_A	0° to +70°C
Storage Temperature Range, T_{stg}	-65° to +150°C
Lead Temperature (During Soldering, 10sec), T_L	+300°C

Note 1. The maximum junction temperature of the NTE976 is +100°C. The thermal resistance junction to ambient is +100°C/W.

Note 2. For supply voltages less than -15V, the absolute maximum input voltage is equal to the supply voltage.

Electrical Characteristics: ($0^{\circ} \leq T_A \leq +70^{\circ}\text{C}$, $\pm 5\text{V} \leq V_S \leq \pm 15\text{V}$ unless otherwise specified)

Parameter	Symbol	Test Conditions	Min	Typ	Max	Unit
Input Offset Voltage	V_{IO}	$T_A = +25^{\circ}\text{C}$, $R_S \leq 50\text{k}\Omega$	–	2.0	7.5	mV
		$R_S \leq 50\text{k}\Omega$	–	–	10	mV
Input Offset Current	I_{IO}	$T_A = +25^{\circ}\text{C}$	–	3.0	50	nA
			–	–	70	nA
Input Bias Current	I_{IB}	$T_A = +25^{\circ}\text{C}$	–	70	250	nA
			–	–	300	nA
Input Resistance	r_i	$T_A = +25^{\circ}\text{C}$	0.5	2.0	–	$\text{M}\Omega$
Supply Current	I_D	$T_A = +25^{\circ}\text{C}$, $V_S = \pm 15\text{V}$	–	1.8	3.0	mA
Large Signal Voltage Gain	A_v	$T_A = +25^{\circ}\text{C}$, $V_S = \pm 15\text{V}$, $V_{OUT} = \pm 10\text{V}$, $R_L \geq 2\text{k}\Omega$	25	160	–	V/mV
		$V_S = \pm 15\text{V}$, $V_{OUT} = \pm 10\text{V}$, $R_L \geq 2\text{k}\Omega$	15	–	–	V/mV
Average Temperature Coefficient of Input Offset Voltage	TCV_{IO}		–	6.0	30	$\mu\text{V}/^{\circ}\text{C}$
Average Temperature Coefficient of Input Offset Current	TCI_{IO}	$+25^{\circ}\text{C} \leq T_A \leq +70^{\circ}\text{C}$	–	0.01	0.3	$\text{nA}/^{\circ}\text{C}$
		$0^{\circ}\text{C} \leq T_A \leq +25^{\circ}\text{C}$	–	0.02	0.6	$\text{nA}/^{\circ}\text{C}$
Output Voltage Swing	V_O	$V_S = \pm 15\text{V}$, $R_L = 10\text{k}\Omega$	± 12	± 14	–	V
		$V_S = \pm 15\text{V}$, $R_L = 2\text{k}\Omega$	± 10	± 13	–	V
Input Voltage Range	V_{ICR}	$V_S = \pm 15\text{V}$	± 12	+15 –13	–	V
Common Mode Rejection Ratio	CMRR	$R_S \leq 50\text{k}\Omega$	70	90	–	dB
Supply Voltage Rejection Ratio	PSRR	$R_S \leq 50\text{k}\Omega$	70	96	–	dB



X-ON Electronics

Largest Supplier of Electrical and Electronic Components

Click to view similar products for [Operational Amplifiers - Op Amps](#) category:

Click to view products by [NTE manufacturer](#):

Other Similar products are found below :

[OPA2991IDSGR](#) [OPA607IDCKT](#) [007614D](#) [633773R](#) [635798C](#) [635801A](#) [702115D](#) [709228FB](#) [741528D](#) [NCV33072ADR2G](#) [SC2903DR2G](#)
[SC2903VDR2G](#) [LM258AYDT](#) [LM358SNG](#) [430227FB](#) [430228DB](#) [460932C](#) [AZV831KTR-G1](#) [409256CB](#) [430232AB](#) [LM2904DR2GH](#)
[LM358YDT](#) [LT1678IS8](#) [042225DB](#) [058184EB](#) [070530X](#) [714228XB](#) [714846BB](#) [873836HB](#) [MIC918YC5-TR](#) [TS912BIYDT](#)
[NCS2004MUTAG](#) [NCV33202DMR2G](#) [M38510/13101BPA](#) [NTE925](#) [SC2904DR2G](#) [SC358DR2G](#) [LM358EDR2G](#) [AZV358MTR-G1](#)
[AP4310AUMTR-AG1](#) [HA1630D02MMEL-E](#) [NJM358CG-TE2](#) [HA1630S01LPEL-E](#) [LM324AWPT](#) [HA1630Q06TELL-E](#) [NJM4558CG-TE2](#)
[AZV358MMTR-G1](#) [SCY33178DR2G](#) [NCS4325DR2G](#) [LM7301SN1T1G](#)