

1T 8051
8-bit Microcontroller

NuMicro[®] Family
ML51/ML54/ML56 Series
Datasheet

The information described in this document is the exclusive intellectual property of Nuvoton Technology Corporation and shall not be reproduced without permission from Nuvoton.

Nuvoton is providing this document only for reference purposes of NuMicro[®] microcontroller based system design. Nuvoton assumes no responsibility for errors or omissions.

All data and specifications are subject to change without notice.

For additional information or questions, please contact: Nuvoton Technology Corporation.

www.nuvoton.com

TABLE OF CONTENTS

1 GENERAL DESCRIPTION 10

2 FEATURES 11

3 PART INFORMATION 16

 3.1 ML51/ML54/ML56 Series Package Type..... 16

 3.2 ML51/ML54/ML56 Series Selection Guide..... 17

 3.2.1 ML51 Series17

 3.2.2 ML54 Series20

 3.2.3 ML56 Series21

 3.3 ML51/ML54/ML56 Series Selection Code..... 22

4 PIN CONFIGURATION 23

 4.1 Pin Configuration..... 23

 4.1.1 ML51/ML54/ML56 Series Pin Diagram23

 4.1.2 ML51/ML54/ML56 Series Multi Function Pin Diagram31

 4.2 Pin Description..... 71

 4.2.1 ML51/ML54/ML56 Series Pin Mapping.....71

 4.2.2 ML51/ML54/ML56 Series Pin Functional Description.....73

5 BLOCK DIAGRAM..... 78

 5.1 ML51/ML54/ML56 Series Full Function Block 78

6 FUNCTIONAL DESCRIPTION..... 79

 6.1 Memory Organization..... 79

 6.2 System Manager 80

 6.3 Flash Memory Control 81

 6.3.1 In-application-programming (IAP)81

 6.3.2 In-Circuit-Programming (ICP)81

 6.3.3 On-Chip-Debugger (ICE).....81

 6.4 GPIO Port Structure and Operation..... 82

 6.4.1 GPIO Mode82

 6.5 Timer..... 83

 6.5.1 Overview83

 6.6 Watchdog Timer (WDT)..... 84

 6.7 Self Wake-up Timer (WKT) 85

 6.7.1 Overview85

 6.8 Pulse Width Modulated (PWM)..... 86

 6.8.1 Overview86

 6.8.2 Features.....86

 6.9 Serial Port (UART0 & UART1) 87

6.9.1	Overview.....	87
6.9.2	Features.....	87
6.10	Smart Card Interface (SC)	88
6.10.1	Overview.....	88
6.10.2	Features.....	88
6.11	Serial Peripheral Interface (SPI)	89
6.11.1	Overview.....	89
6.11.2	Features.....	89
6.12	Inter-Integrated Circuit (I ² C).....	90
6.12.1	Overview.....	90
6.12.2	Features.....	90
6.13	12-bit Analog-to-digital Converter (ADC)	91
6.13.1	Overview.....	91
6.14	Voltage Reference (VREF).....	92
6.15	Analog Comparator Controller (ACMP).....	93
6.15.1	Overview.....	93
6.15.2	Feature.....	93
6.16	PDMA Controller (PDMA).....	94
6.16.1	Overview.....	94
6.16.2	Feature.....	94
6.17	LCD Driver	95
6.17.1	Overview.....	95
6.17.2	Features.....	95
6.18	Real Time Clock (RTC).....	96
6.18.1	Overview.....	96
6.18.2	Features.....	96
6.19	Touch Key (TK)	97
6.19.1	Overview.....	97
6.19.2	Features.....	97
6.20	Auxiliary Features.....	98
6.20.1	Dual DPTRs	98
6.20.2	96-Bit Unique Code (UID)	102
6.21	Instruction Set	103
6.21.1	Instruction Set And Addressing Modes	103
6.21.2	Read-Modify-Write Instructions	105
6.21.3	Instruction Set.....	105
7	APPLICATION CIRCUIT.....	109
7.1	Power Supply Scheme	109
7.2	Peripheral Application Scheme	110

8 ELECTRICAL CHARACTERISTICS..... 111

- 8.1 General Operating Conditions 111
 - 8.1.1 ML51 32KB/16KB Flash Series.....111
 - 8.1.2 ML51 64KB Flash/ML54/ML56 Series111
- 8.2 DC Electrical Characteristics 112
 - 8.2.1 Supply Current Characteristics.....112
 - 8.2.2 On-Chip Peripheral Current Consumption.....120
 - 8.2.3 Wakeup Time from Low-Power Modes122
 - 8.2.4 I/O DC Characteristics123
- 8.3 AC Electrical Characteristics 125
 - 8.3.1 24 MHz Internal High Speed RC Oscillator (HIRC).....125
 - 8.3.2 38.4 kHz Internal Low Speed RC Oscillator (LIRC)126
 - 8.3.3 External 4~24 MHz High Speed Crystal/Ceramic Resonator (HXT) characteristics
127
 - 8.3.4 External 4~24 MHz High Speed Clock Input Signal Characteristics129
 - 8.3.5 External 32.768 kHz Low Speed Crystal/Ceramic Resonator (LXT) characteristics
130
 - 8.3.6 I/O AC Characteristics131
- 8.4 Analog Characteristics 132
 - 8.4.1 Reset and Power Control Block Characteristics132
 - 8.4.2 12-bit SAR ADC133
 - 8.4.3 Analog Comparator Controller (ACMP).....135
 - 8.4.4 Internal Voltage Reference136
 - 8.4.5 Temperature Sensor137
 - 8.4.6 LCD Controller138
- 8.5 Flash DC Electrical Characteristics 142
- 8.6 Absolute Maximum Ratings 143
 - 8.6.1 Voltage Characteristics143
 - 8.6.2 Current Characteristics144
 - 8.6.3 Thermal Characteristics.....145
 - 8.6.4 EMC Characteristics146
 - 8.6.5 Package Moisture Sensitivity(MSL)148
 - 8.6.6 Soldering Profile149

9 PACKAGE DIMENSIONS 150

- 9.1 LQFP 64L-pin (7.0 x 7.0 x 1.4 mm) 150
- 9.2 LQFP 48-pin (7.0 x 7.0 x 1.4 mm)..... 151
- 9.3 LQFP 44-pin (10 x 10 x 1.4mm 152
- 9.4 QFN 33-pin (4.0 x 4.0 x 0.8 mm) 153
- 9.5 LQFP 32-pin (7.0 x 7.0 x 1.4 mm)..... 154
- 9.6 TSSOP 28-pin (4.4 x 9.7 x 1.0 mm) 155

9.7 SOP 28-pin (300mil)..... 156

9.8 TSSOP 20-pin (4.4 x 6.5 x 0.9 mm) 157

9.9 SOP 20-pin (300 mil) 158

9.10 QFN 20-pin (3.0 x 3.0 x 0.8 mm) 159

9.11 TSSOP 14-pin (4.4 x 5.0 x 0.9 mm)..... 160

9.12 MSOP 10-pin (3.0 x 3.0 x 0.85 mm) 161

10 ABBREVIATIONS 162

 10.1 Abbreviations..... 162

11 REVISION HISTORY 163

LIST OF FIGURES

Figure 4.1-1 ML51SD1AE Pin Assignment..... 23

Figure 4.1-2 ML54SD1AE / ML56SD1AE Pin Assignment..... 24

Figure 4.1-3 ML51LD1AE Pin Assignment 24

Figure 4.1-4 ML54LD1AE / ML56LD1AE Pin Assignment..... 25

Figure 4.1-5 ML54MD1AE / ML56MD1AE Pin Assignment..... 25

Figure 4.1-6 ML51TD1AE / ML51TC0AE / ML51TB9AE Pin Assignment..... 26

Figure 4.1-7 ML51PC0AE / ML51PB9AE Pin Assignment 27

Figure 4.1-8 ML51EC0AE / ML51EB9AE Pin Assignment 27

Figure 4.1-9 ML51UC0AE / ML51UB9AE Pin Assignment..... 28

Figure 4.1-10 ML51FB9AE Pin Assignment 28

Figure 4.1-11 ML51OB9AE Pin Assignment..... 29

Figure 4.1-12 ML51XB9AE Pin Assignment..... 29

Figure 4.1-13 ML51DB9AE Pin Assignment..... 30

Figure 4.1-14 ML51BB9AE Pin Assignment 30

Figure 4.1-15 ML51SD1AE Multi-Function Pin assignment 31

Figure 4.1-16 ML54SD1AE Multi-Function Pin assignment 34

Figure 4.1-17 ML56SD1AE Multi-Function Pin assignment 37

Figure 4.1-18 ML51LD1AE Multi-Function Pin assignment..... 40

Figure 4.1-19 ML54LD1AE Multi-Function Pin assignment..... 43

Figure 4.1-20 ML56LD1AE Multi-Function Pin assignment..... 46

Figure 4.1-21 ML54MD1AE Multi-Function Pin assignment..... 49

Figure 4.1-22 ML56MD1AE Multi-Function Pin assignment..... 52

Figure 4.1-23 ML51TD1AE Multi-Function Pin assignment..... 55

Figure 4.1-24 ML51TC0AE / ML51TB9AE Multi-Function Pin Assignment..... 57

Figure 4.1-25 ML51PC0AE / ML51PB9AE Multi-Function Pin Assignment 59

Figure 4.1-26 ML51EC0AE / ML51EB9AE Multi-Function Pin Assignment 61

Figure 4.1-27 ML51UC0AE / ML51UB9AE Multi Function Pin Assignment 63

Figure 4.1-28 ML51FB9AE Multi Function Pin Assignment..... 65

Figure 4.1-29 ML51OB9AE Multi Function Pin Assignment 66

Figure 4.1-30 ML51XB9AE Multi Function Pin Assignment 67

Figure 4.1-31 ML51DB9AE Multi Function Pin Assignment 69

Figure 4.1-32 ML51BB9AE Pin Assignment..... 70

Figure 5.1-1 Functional Block Diagram..... 78

Figure 6.2-1 Clock System Block Diagram 80

Figure 7.1-1 NuMicro[®] ML51/ML54/ML56 Series Power supply circuit 109

Figure 7.2-1 NuMicro[®] ML51/ML54/ML56 Series Peripheral interface circuit 110

Figure 8.4-1 Typical Connection With Internal Voltage Reference 136

Figure 8.6-1 Soldering Profile From J-STD-020C 149

Figure 9.1-1 LQFP 64L Package Dimension 150

Figure 9.2-1 LQFP-48 Package Dimension 151

Figure 9.3-1 LFP44 Package Dimension 152

Figure 9.4-1 QFN-33 Package Dimension 153

Figure 9.5-1 LQFP-32 Package Dimension 154

Figure 9.6-1 TSSOP-28 Package Dimension 155

Figure 9.7-1 SOP-28 Package Dimension 156

Figure 9.8-1 TSSOP-20 Package Dimension 157

Figure 9.9-1 SOP-20 Package Dimension 158

Figure 9.10-1 QFN-20 Package Dimension 159

Figure 9.11-1 TSSOP-14 Package Dimension 160

Figure 9.12-1 MSOP-10 Package Dimension 161

List of Tables

Table 6.4-1 Configuration for Different I/O Modes 82

Table 6.6-1 Watchdog Timer-out Interval Under Different Pre-scalars..... 84

Table 6.21-1 Instruction Set And Addressing Modes 103

Table 6.21-2 Instructions Affect Flag Settings 104

Table 6.21-3 Instruction Set..... 108

Table 8.1-1 ML51 32KB/16KB Flash Series General Operating Conditions 111

Table 8.1-2 ML56/ML54/ML51 64KB Flash Series General Operating Conditions 111

Table 8.2-1 ML51 32KB / 16KB Series Current Consumption In Normal Run Mode 113

Table 8.2-2 ML51 32KB/16KB Flash Series Current Consumption In Low Power Run Mode 113

Table 8.2-3 ML51 32KB/16KB Flash Series Current Consumption In Idle Mode..... 114

Table 8.2-4 ML51 32KB/16KB Flash Series Current Consumption In Low Power Idle Mode 114

Table 8.2-5 ML51 32KB/16KB Flash Series Chip Current Consumption in Power down mode . 115

Table 8.2-6 ML56/ML54/ML51 64KB Flash Series Current Consumption In Normal Run Mode 117

Table 8.2-7 ML56/ML54/ML51 64KB Flash Series Current Consumption In Low Power Run Mode 117

Table 8.2-8 ML56/ML54/ML51 64KB Flash Series Current Consumption In Idle Mode..... 118

Table 8.2-9 ML56/ML54/ML51 64KB Flash Series Current consumption in Low Power Idle mode 118

Table 8.2-10 ML56/ML54/ML51 64KB Flash Series Series Chip Current Consumption In Power Down Mode 119

Table 8.2-11 Peripheral Current Consumption 121

Table 8.2-12 Low-Power Mode Wakeup Timings 122

Table 8.2-13 I/O Input Characteristics 123

Table 8.2-14 nRESET Input Characteristics 124

Table 8.3-1 24 MHz Internal High Speed RC Oscillator(HIRC) Characteristic 125

Table 8.3-2 38.4 kHz Internal Low Speed RC Oscillator(LIRC) Characteristics 126

Table 8.3-3 External 4~24 MHz High Speed Crystal (HXT) Oscillator 127

Table 8.3-4 Typical Crystal Application..... 128

Table 8.3-5 External 4~24 MHz High Speed Clock Input Signal 129

Table 8.3-6 External 32.768 kHz Low Speed Crystal (LXT) Oscillator Characteristics 130

Table 8.3-7 Typical 32.768 kHz Crystal Application Circuit 130

Table 8.3-8 I/O AC characteristics 131

Table 8.4-1 Reset And Power Control Unit..... 132

Table 8.4-2 ADC Characteristics..... 133

Table 8.4-3 ACMP Characteristics..... 135

Table 8.4-4 Voltage Reference Character 136

Table 8.4-5 Temperature Sensor Character 137

Table 8.4-6 LCD Digital Characteristics 139

Table 8.4-7 Current Consumption In Power Down Mode With LCD Voltage Source From Internal Charge Pump 140

Table 8.4-8 Current Consumption In Power Down Mode With LCD Voltage Source From AV_{DD} 140

Table 8.4-9 Current Consumption In Power Down Mode With LCD Voltage Source From External VLCD pin..... 141

Table 8.5-1 Flash Memory Characteristics 142

Table 8.6-1 ML51 32KB/16KB Flash Series Voltage Characteristics 143

Table 8.6-2 ML51 64KB Flash/ML54/ML56 Series Voltage Characteristics..... 143

Table 8.6-3 Current Characteristics 144

Table 8.6-4 Thermal Characteristics 145

Table 8.6-5 ML51 32KB/16KB Flash Series EMC Characteristics 146

Table 8.6-6 ML51 64KB Flash/ML54/ML56 Series EMC Characteristics..... 147

Table 8.6-7 Package Moisture Sensitivity(MSL) 148

Table 8.6-8 Soldering Profile..... 149

Table 10.1-1 List of Abbreviations..... 162

1 GENERAL DESCRIPTION

The NuMicro®ML51/ML54/ML56 series is a Flash embedded 1T 8051-based microcontroller. The instruction set of the ML51 series is fully compatible with the standard 80C51 with enhanced performance; This series is a three-to-one single microcontrollers, intergrated with up to 14 channels of capacitive touch and LCD driver.

The ML51/ML54/ML56 series is 1T 8051 core based low-power microcontrollers running at less 80µA/MHz in normal run mode, and power down current is below 1uA. It Provides operating frequency up to 24 MHz. 16KB and 32KB Flash of ML51 series voltage range supports 1.8V to 5.5V, and 64KB Flash of ML51 series supports 1.8 to 3.6V voltage range.

The ML51/ML54/ML56 series microcontroller provides 3 power modes to reduce power consumption –Low power run mode, Low power Idle mode, and Power-down mode. In Low power run mode, the power consumption can be down to 15 uA at 38.4 kHz LIRC. In Low power idle mode, CPU processing is suspended by holding the Program Counter. No program code is fetched and run in low power idle mode if the power consumption does not exceed 13 uA. Power-down mode stops the whole system clock for minimum power consumption with the leakage current less than 1 uA. The system clock of the ML51 series can also be slowed down by software clock divider, which allows for flexibility between execution performance and power consumption.

The ML51/ML54/ML56 series provides rich peripherals including 256 bytes of SRAM, 4 Kbytes of auxiliary RAM (XRAM), up to 56 general purpose I/O, two 16-bit Timers/Counters 0/1, one 16-bit Timer2 with three-channel input capture module, one Watchdog Timer (WDT), one Self Wake-up Timer (WKT), one 16-bit auto-reload Timer3 for general purpose or baud rate generator, two UARTs with frame error detection and automatic address recognition, two ISO7816 Smartcard interface, two SPI, two I2C, 6 enhanced PWM output channels with dead zone control, 6 PWM output channels with 3 individual configurable period, two analog comparators, eight-channel shared pin interrupt for all I/O ports, and one 12-bit ADC at 500 ksp/s. There are a total of 31 sources with 4-level-priority interrupts capability.

All series contains up to 64 Kbytes Flash, called APROM designed for programming. Flash supports In-Application-Programming (IAP) function, which supports on-chip firmware upgrade. Partial flash can be configured as Data Flash programmed by IAP and read by IAP or MOVc instruction. The ML51/ML54/ML56 series includes an additional configurable up to 4/3/2/1 Kbytes Flash area called LDROM, in which the Boot Code normally resides for carrying out the In-System-Programming (ISP). To facilitate mass production programming and verification, the Flash is allowed to be programmed and read electronically by parallel Writer/Programmer or In-Circuit-Programming (ICP) with Nu-Link. Once programmed and verified, the programmed code can be protected by the Flash lock mechanism from being read out by external programming tool.

Through the high performance and low power features of ML51/ML54/ML56 series, this series benefits for low-power, battery powered devices, general purpose, home appliances, and motor control system.

Series	V _{DD} Voltage	LCD Driver	Touch Key
ML51 32/16KB Flash Series	1.8 ~ 5.5 V	-	-
ML51 64KB Flash Series	1.8 ~3.6 V	-	-
ML54 Series	1.8 ~3.6 V	✓	-
ML56 Series	1.8 ~3.6 V	✓	✓

2 FEATURES

Core and System

- | | |
|-------------|---|
| 8051 | <ul style="list-style-type: none"> Fully static design 8-bit high performance 1T 8051-based CMOS microcontroller. Instruction set fully compatible with MCS-51. 4-priority-level interrupts capability. Dual Data Pointers (DPTRs). |
|-------------|---|

- | | |
|-----------------------------|--|
| Power on Reset (POR) | <ul style="list-style-type: none"> POR with 1.55V threshold voltage level |
|-----------------------------|--|

- | | |
|---------------------------------|--|
| Brown-out Detector (BOD) | <ul style="list-style-type: none"> 7-level selection, with brown-out interrupt and reset option. (4.4V / 3.7V / 3.0V / 2.7V / 2.4V / 2.0V / 1.8V) |
|---------------------------------|--|

- | | |
|--------------------------------|--|
| Low Voltage Reset (LVR) | <ul style="list-style-type: none"> LVR with 1.63V threshold voltage level |
|--------------------------------|--|

- | | |
|-----------------|---|
| Security | <ul style="list-style-type: none"> 96-bit Unique ID (UID) 128-bit Unique Customer ID (UCID) 128-bytes security protection memory SPROM |
|-----------------|---|

Memories

- | | |
|--------------|--|
| Flash | <ul style="list-style-type: none"> Up to 64 KBytes of APROM for User Code. 4/3/2/1 Kbytes of Flash for loader (LDROM) configure from APROM for In-System-Programmable (ISP) Flash Memory accumulated with pages of 128 Bytes from APROM by In-Application-Programmable (IAP) means whole APROM can be use as Data Flash An additional 128 bytes security protection memory SPROM Code lock for security by CONFIG |
|--------------|--|

- | | |
|-------------|--|
| SRAM | <ul style="list-style-type: none"> 256 Bytes on-chip RAM. Additional 4 KBytes on-chip auxiliary RAM (XRAM) accessed by MOVX instruction. |
|-------------|--|

- | | |
|--------------|--|
| PDMA: | <ul style="list-style-type: none"> Three modes: peripheral-to-memory, memory-to-peripheral, and memory-to-memory transfer. Source address and destination address must be word alignment in all modes. Memory-to-memory mode: transfer length must be word alignment. |
|--------------|--|

Clocks

- | | |
|------------------------------|--|
| External Clock Source | <ul style="list-style-type: none"> 4~24 MHz High-speed external crystal oscillator (HXT) for precise timing operation |
|------------------------------|--|

	<ul style="list-style-type: none"> 32.768 kHz High-speed external crystal oscillator (LXT) for RTC operation
Internal Clock Source	<ul style="list-style-type: none"> Default 24 MHz high-speed internal oscillator (HIRC) trimmed to $\pm 1\%$ (accuracy at 25 °C, 3.3 V), $\pm 2\%$ in -20~105°C. 38.4 kHz low-speed internal oscillator (LIRC) calibrating to $\pm 2\%$ by software from high-speed internal oscillator
Timers	
16-bit Timer	<ul style="list-style-type: none"> Two 16-bit Timers/Counters 0 and 1 compatible with standard 8051. One 16-bit Timer 2 with three-channel input capture module and 9 input pin can be selected. One 16-bit auto-reload Timer 3, which can be the baud rate clock source of UARTs.
Watchdog	<ul style="list-style-type: none"> 6-bit free running up counter for WDT time-out interval. Selectable time-out interval is 1.66 ms ~ 3413.12 ms since WDT_CLK = 38.4 kHz (LIRC). Able to wake up from Power-down or Idle mode Interrupt or reset selectable on watchdog time-out
Wake-up Timer	<ul style="list-style-type: none"> 16-bit free running up counter for time-out interval. Clock sources from LIRC Able self Wake-up wake up from Power-down or Idle mode, and auto reload count value. Supports Interrupt
PWM	<ul style="list-style-type: none"> Up To 12 output pins can be selected Supports maximum clock source frequency up to 24 MHz Supports up to Three PWM modules, each module provides 6 output channels. Supports independent mode for PWM output Supports complementary mode for 3 complementary paired PWM output channels Dead-time insertion with 8-bit resolution Supports 16-bit resolution PWM counter Supports mask function and tri-state enable for each PWM pin Supports brake function Supports trigger ADC on the following events
RTC	<ul style="list-style-type: none"> Supports real time counter and calendar counter for RTC time and calendar check. Supports alarm time and calendar settings

- Supports alarm time and calendar mask enable settings.
- Selectable 12-hour or 24-hour time scale setting.
- Supports Leap Year indication setting.
- Supports Day of the Week counter setting.
- Frequency of RTC clock source compensate by RTC_FREQADJ register.
- All time and calendar message expressed in BCD format.
- Supports periodic RTC Time Tick interrupt with 8 period interval options 1/128, 1/64, 1/32, 1/16, 1/8, 1/4, 1/2 and 1 second.
- Supports RTC Time Tick and Alarm Match interrupt.
- Supports chip wake-up from Idle or Power-down mode while a RTC interrupt signal is generated.
- Support clock source selectable from LXT or LIRC.

Analog Interfaces

Analog-to-Digital Converter (ADC)

- Analog input voltage range: 0 ~ AV_{DD}.
- External or internal Voltage reference input selectable.
- 12-bit resolution and 10-bit accuracy is guaranteed.
- Up to 16 single-end analog input channels
- 1 internal channels, they are band-gap voltage (VBG).
- Maximum ADC peripheral clock frequency is 1 MHz.
- Up to 500 KSPS sampling rate.
- Software Write 1 to ADCS bit to trig ADC start.
- External pin (STADC) trigger
- PWM trigger.

Communication Interfaces

UART

- Supports up to 2 UARTs: UART0, UART1
- Supports 2 Smart Card configuration as UART function as UART2 and UART3.
- UART baud rate clock from HIRC or HXT.
- Full-duplex asynchronous communications
- Programmable 9th bit.
- TXD and RXD pins of UART0 exchangeable via software.

I²C

- 2 sets of I²C devices
- Master/Slave mode
- Bidirectional data transfer between masters and slaves
- Multi-master bus (no central master)
- 7-bit addressing mode

	<ul style="list-style-type: none"> • Standard mode (100 kbps) and Fast mode (400 kbps). • Supports 8-bit time-out counter requesting the I²C interrupt if the I²C bus hangs up and timer-out counter overflows • Multiple address recognition (four slave addresses with mask option) • Supports hold time programmable
SPI	<ul style="list-style-type: none"> • 2 sets of SPI devices • Supports Master or Slave mode operation • Supports MSB first or LSB first transfer sequence • Slave mode up to 12 Mhz
ISO 7816-3	<ul style="list-style-type: none"> • Two sets ISO 7816-3 device • Supports ISO 7816-3 compliant T=0, T=1 • Supports full-duplex UART mode.
GPIO	<ul style="list-style-type: none"> • Four I/O modes: • Quasi-bidirectional mode • Push-Pull Output mode • Open-Drain Output mode • Input only with high impedance mode • Schmitt trigger input / TTL mode selectable. • Each I/O pin configured as interrupt source with edge/level trigger setting • Standard interrupt pins $\overline{INT0}$ and $\overline{INT1}$. • Supports high drive and high sink current I/O • I/O pin internal pull-up or pull-down resistor enabled in input mode. • Maximum I/O Speed is 24 MHz • Enabling the pin interrupt function will also enable the wake-up function • Supports 5V-tolerance function for • ML51 Series: ML51TD1AE/ML51LD1AE/ML51SD1AD • ML54 Series: ML54MD1AE/ML54LD1AE/ML54SD1AE • ML56 Series: ML56MD1AE/ML56LD1AE/ML56SD1AE
LCD Driver	<ul style="list-style-type: none"> • Support Internal resistor bias, capacitor bias • Support programmable internal VLCD charge pump mode • 1/2, 1/3, 1/4 bias selectable • 4 COM x 32 SEG, 6 COM x 30 SEG, 8 COM x 28 SEG • Support 2.8V to 5.5V LCD operating voltage
Touch Key	<ul style="list-style-type: none"> • Supports up to 14 touch key + 1 reference pin.

- Programmable sensitivity levels for each channel.
- Programmable scanning speed for different applications.
- Supports effect when in power down mode.
- Supports single key-scan and programmable periodic key-scan.
- Programmable interrupt options for key-scan complete with/without threshold control.

ESD & EFT

ESD

- HBM 8 kV for ML51 32KB/16KB Flash Series pass
- HBM 7 kV for ML51 64KB Flash/ML54/ML56 Series pass

EFT

- $> \pm 4.4$ kV

Latch-up

- 150 mA for ML51 32KB/16KB Flash Series pass
- 200 mA for ML51 64KB Flash/ML54/ML56 Series pass

3 PART INFORMATION

3.1 ML51/ML54/ML56 Series Package Type

Package	ML51			ML54	ML56
	ML51xB	ML51xC	ML51xD	ML54xD	ML56xD
MSOP10	ML51BB9AE				
TSSOP14	ML51DB9AE				
TSSOP20	ML51FB9AE				
SOP20	ML51OB9AE				
QFN20(3x3)	ML51XB9AE				
TSSOP28	ML51EB9AE	ML51EC0AE			
SOP28	ML51UB9AE	ML51UC0AE			
LQFP32	ML51PB9AE	ML51PC0AE			
QFN33(4x4)	ML51TB9AE	ML51TC0AE	ML51TD1AE		
LQFP44				ML54MD1AE	ML56MD1AE
LQFP48			ML51LD1AE	ML54LD1AE	ML56LD1AE
LQFP64			ML51SD1AE	ML54SD1AE	ML56SD1AE

3.2 ML51/ML54/ML56 Series Selection Guide

3.2.1 ML51 Series

ML51 16KB Flash Series

Part Number		ML51							
		BB9AE	DB9AE	FB9AE	OB9AE	XB9AE	EB9AE	UB9AE	PB9AE
Flash (KB)		16	16	16	16	16	16	16	16
SRAM (KB)		1	1	1	1	1	1	2	2
ISP ROM (KB)		4	4	4	4	4	4	4	4
SPROM (bytes)		128	128	128	128	128	128	128	128
System Frequency (MHz)		24	24	24	24	24	24	24	24
GPIO		7	11	16	16	17	24	24	28
16-bit Timer		4	4	4	4	4	4	4	4
PWM		5	6	6	6	6	6	6	6
Analog Comparator		-	-	-	-	-	-	2	2
Internal Voltage Reference		-	-	-	-	-	-	Y	Y
PDMA		2	2	2	2	2	2	2	2
RTC		-	-	-	-	-	-	-	-
LCD		-	-	-	-	-	-	-	-
Connectivity	ISO 7816-3	-	1	1	1	1	1	1	1
	UART	2	2	2	2	2	2	2	2
	SPI	-	1	1	1	1	1	1	1
	I ² C	1	2	2	2	2	2	2	2
12-bit SAR ADC		2	3	6	6	6	8	8	8
Package		MSOP10	TSSOP14	TSSOP20	SOP20	QFN20	TSSOP28	SOP28	LQFP32
Note: 1. ISP ROM programmable 1K/2K/3K/4KB Flash for user program loader (LDROM) share from ARPOM. 2. ISO 7816-3 configurable as standard UART function.									

ML51 32KB Flash Series

Part Number		ML51					
		EC0AE	UC0AE	PC0AE	TC0AE	TC1AE	LC1AE
Flash (KB)		32	32	32	32	32	32
SRAM (KB)		2	2	2	2	2	2
ISP ROM (KB)		4	4	4	4	4	4
SPROM (bytes)		128	128	128	128	128	128
System Frequency (MHz)		24	24	24	24	24	24
GPIO		24	24	28	28	28	43
16-bit Timer		4	4	4	4	4	4
PWM		6	6	6	6	6	6
Analog Comparator		2	2	2	2	2	2
Internal Voltage Reference		Y	Y	Y	Y	Y	Y
PDMA		2	2	2	2	2	2
RTC		-	-	-	-	-	-
LCD		-	-	-	-	-	-
Connectivity	ISO 7816-3	1	1	1	1	2	2
	UART	2	2	2	2	2	2
	SPI	2 ^[3]	2 ^[3]	2	2	2	2
	I ² C	2	2	2	2	2	2
12-bit SAR ADC		8	8	8	8	9	10
Package		TSSOP28	SOP28	LQFP32	QFN33	QFN33	LQFP48
<p>Note:</p> <ol style="list-style-type: none"> 1. ISP ROM programmable 1K/2K/3K/4KB Flash for user program loader (LDROM) share from ARPOM. 2. ISO 7816-3 configurable as standard UART function. 3. SPI0 and SPI1 share with same SS pin in 28pin package. 							

ML51 64KB Flash Series

Part Number		ML51		
		TD1AE	LD1AE	SD1AE
Flash (KB)		64	64	64
SRAM (KB)		4	4	4
ISP ROM (KB)		4	4	4
SPROM (bytes)		128	128	128
System Frequency (MHz)		24	24	24
GPIO		28	43	56
16-bit Timer		4	4	4
PWM		6+2+2+2	6+2+2+2	6+2+2+2
Analog Comparator		2	2	2
Internal Voltage Reference		Y	Y	Y
PDMA		4	4	4
RTC		Y	Y	Y
LCD		-	-	-
Connectivity	ISO 7816-3	2	2	2
	UART	2	2	2
	SPI	2	2	2
	I ² C	2	2	2
12-bit SAR ADC		9	10	14
Package		QFN33	LQFP48	LQFP64
Note: 1. ISP ROM programmable 1K/2K/3K/4KB Flash for user program loader (LDROM) share from ARPOM. 2. ISO 7816-3 configurable as standard UART function.				

3.2.2 ML54 Series

Part Number		ML54		
		MD1AE	LD1AE	SD1AE
Flash (KB)		64	64	64
SRAM (KB)		4	4	4
ISP ROM (KB)		4	4	4
SPROM (bytes)		128	128	128
System Frequency (MHz)		24	24	24
GPIO		38	42	55
16-bit Timer		4	4	4
PWM		6+2+2+2	6+2+2+2	6+2+2+2
Analog Comparator		2	2	2
Internal Voltage Reference		Y	Y	Y
PDMA		4	4	4
RTC		Y	Y	Y
LCD		8x17	8x18	8x28
		6x19	6x20	6x30
		4x21	4x22	4x32
Connectivity	ISO 7816-3	2	2	2
	UART	2	2	2
	SPI	2	2	2
	I ² C	2	2	2
12-bit SAR ADC		10	10	14
Package		LQFP44	LQFP48	LQFP64
Note: 1. ISP ROM programmable 1K/2K/3K/4KB Flash for user program loader (LDROM) share from ARPOM. 2. ISO 7816-3 configurable as standard UART function.				

3.2.3 ML56 Series

Part Number		ML56		
		MD1AE	LD1AE	SD1AE
Flash (KB)		64	64	64
SRAM (KB)		4	4	4
ISP ROM (KB)		4	4	4
SPROM (bytes)		128	128	128
System Frequency (MHz)		24	24	24
GPIO		38	42	55
16-bit Timer		4	4	4
PWM		6+2+2+2	6+2+2+2	6+2+2+2
Analog Comparator		2	2	2
Internal Voltage Reference		Y	Y	Y
PDMA		4	4	4
RTC		Y	Y	Y
LCD		8x17	8x18	8x28
		6x19	6x20	6x30
		4x21	4x22	4x32
Touch Key		6+1	9+1	14+1
Connectivity	ISO 7816-3	2	2	2
	UART	2	2	2
	SPI	2	2	2
	I ² C	2	2	2
12-bit SAR ADC		10	10	14
Package		LQFP44	LQFP48	LQFP64
Note: 1. ISP ROM programmable 1K/2K/3K/4KB Flash for user program loader (LDROM) share from ARPOM. 2. ISO 7816-3 configurable as standard UART function. 3.Touch key should define 1 key as reference pin.				

3.3 ML51/ML54/ML56 Series Selection Code

ML	51	F	B	9	A	E
Core	Line	Package	Flash	SRAM	Reserve	Temperature
1T 8051 Low power	51: Base	B: MSOP10 (3x3 mm)	A: 8 KB	0: 2 KB		E:-40 ~ 105° C
	54: LCD	D: TSSOP14 (4.4x5.0 mm)	B: 16 KB	1: 4 KB		
	56: Touch	E: TSSOP28 (4.4x9.7 mm)	C: 32 KB	2: 8/12 KB		
		F: TSSOP20 (4.4x6.5 mm)	D: 64 KB	3: 16 KB		
		L: LQFP48 (7x7 mm)		6: 32 KB		
		M: LQFP44(10x10 mm)		8: 64 KB		
		O: SOP20 (300 mil)		9: 1 KB		
		P: LQFP32 (7x7 mm)		A: 96 KB		
		S: LQFP64 (7x7 mm)				
		T: QFN33 (4x4 mm)				
		U: SOP28 (300 mil)				
		X: QFN20 (3x3mm)				

4 PIN CONFIGURATION

4.1 Pin Configuration

Users can find pin configuration informations in chapter 4 or by using [NuTool - PinConfigure](#). The NuTool - PinConfigure contains all Nuvoton NuMicro[®] Family chip series with all part number, and helps users configure GPIO multi-function correctly and handily.

4.1.1 ML51/ML54/ML56 Series Pin Diagram

4.1.1.1 LQFP64 Package

Corresponding Part Number: ML51SD1AE/ ML54SD1AE / ML56SD1AE

ML51SD1AE

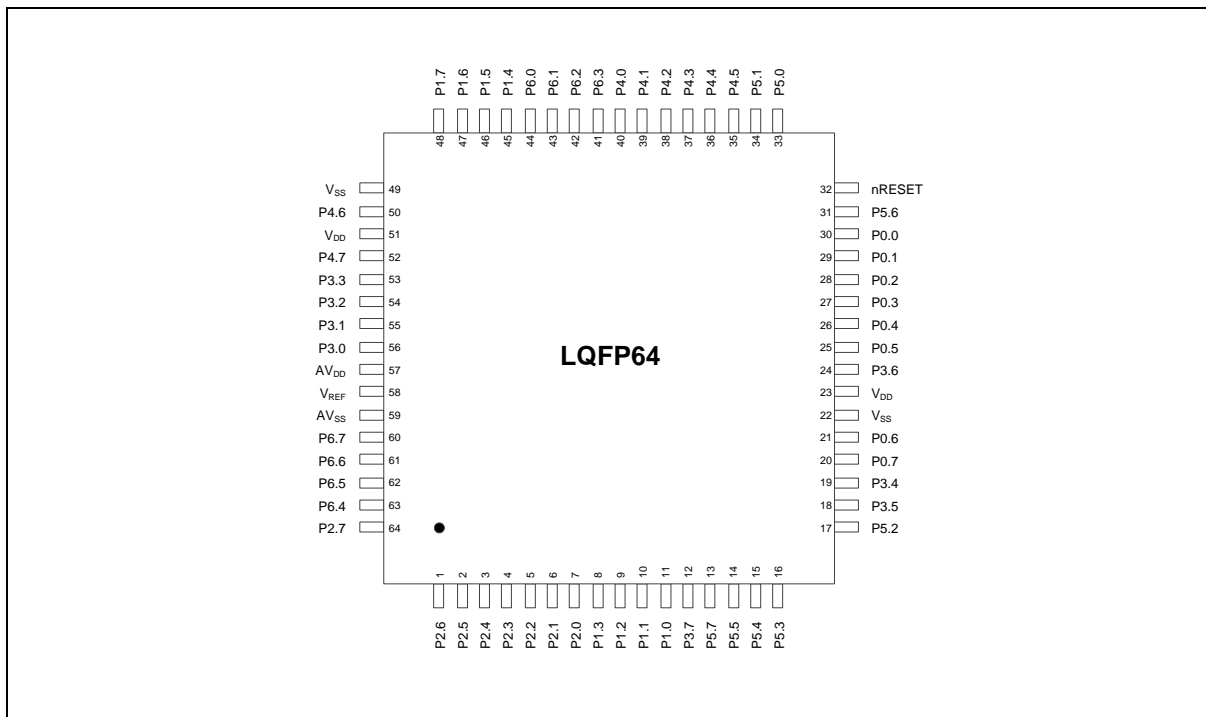


Figure 4.1-1 ML51SD1AE Pin Assignment

ML54SD1AE / ML56SD1AE

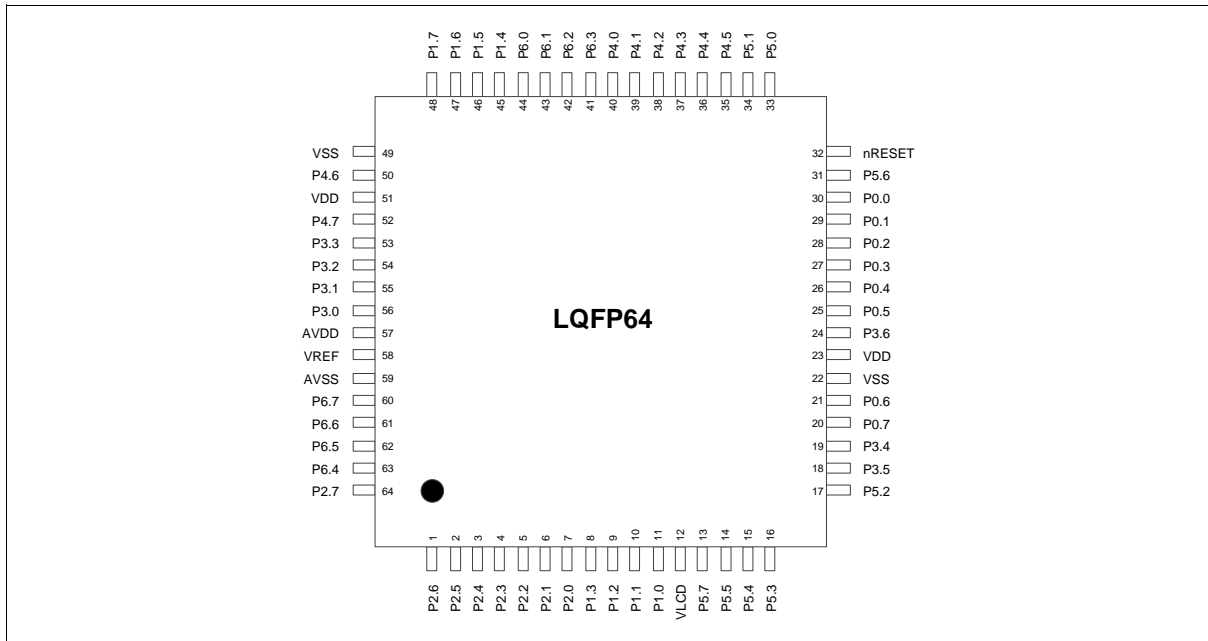


Figure 4.1-2 ML54SD1AE / ML56SD1AE Pin Assignment

4.1.1.2 LQFP48 Package

Corresponding Part Number: ML51LD1AE/ ML54LD1AE / ML56LD1AE

ML51LD1AE

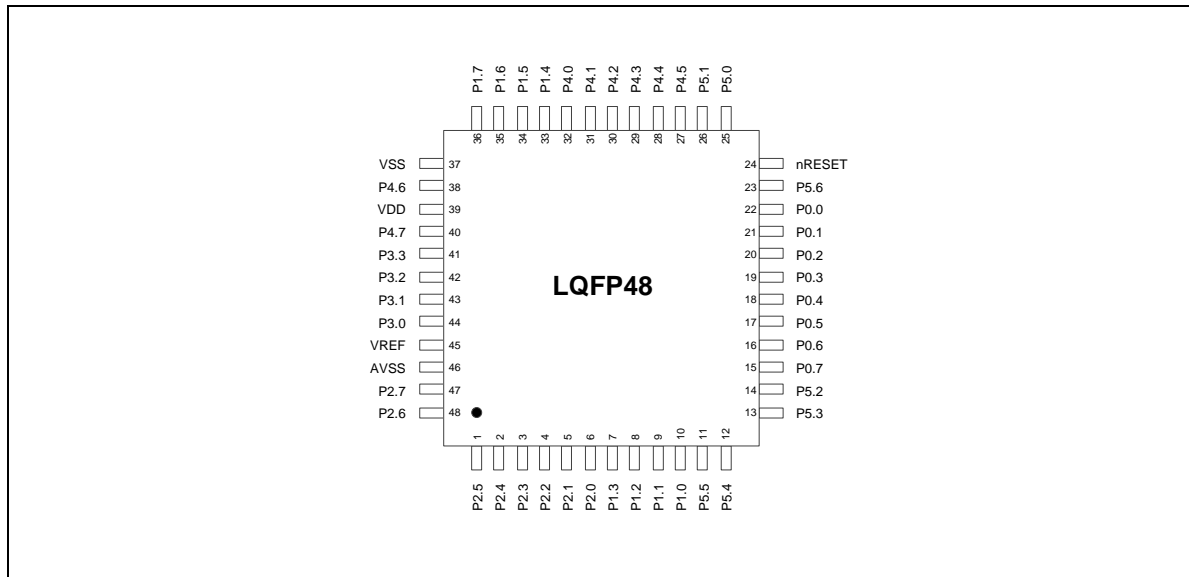


Figure 4.1-3 ML51LD1AE Pin Assignment

ML54LD1AE / ML56LD1AE

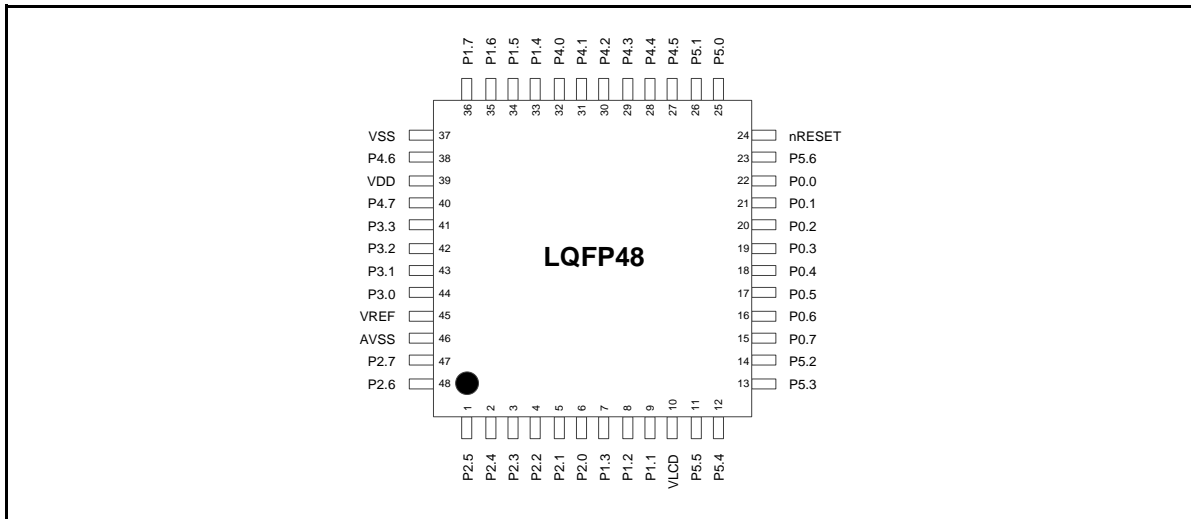


Figure 4.1-4 ML54LD1AE / ML56LD1AE Pin Assignment

4.1.1.3 LQFP44 Package

Corresponding Part Number: ML54MD1AE / ML56MD1AE

ML54MD1AE / ML56MD1AE

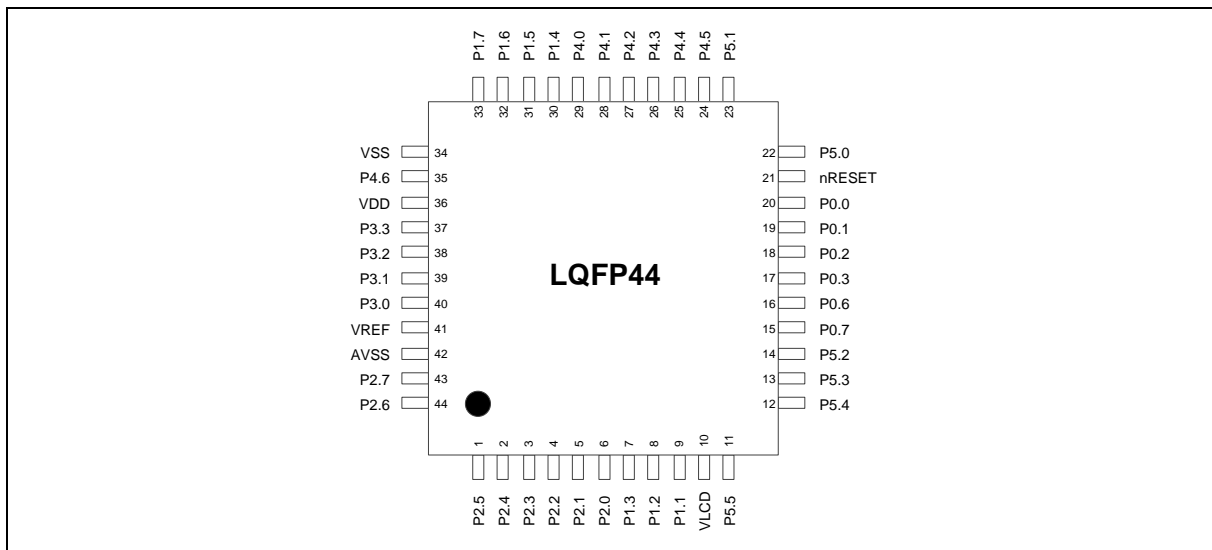


Figure 4.1-5 ML54MD1AE / ML56MD1AE Pin Assignment

4.1.1.4 QFN33 Package

Corresponding Part Number: ML51TD1AE / ML51TC0AE / ML51TB9AE

ML51TD1AE / ML51TC0AE / ML51TB9AE

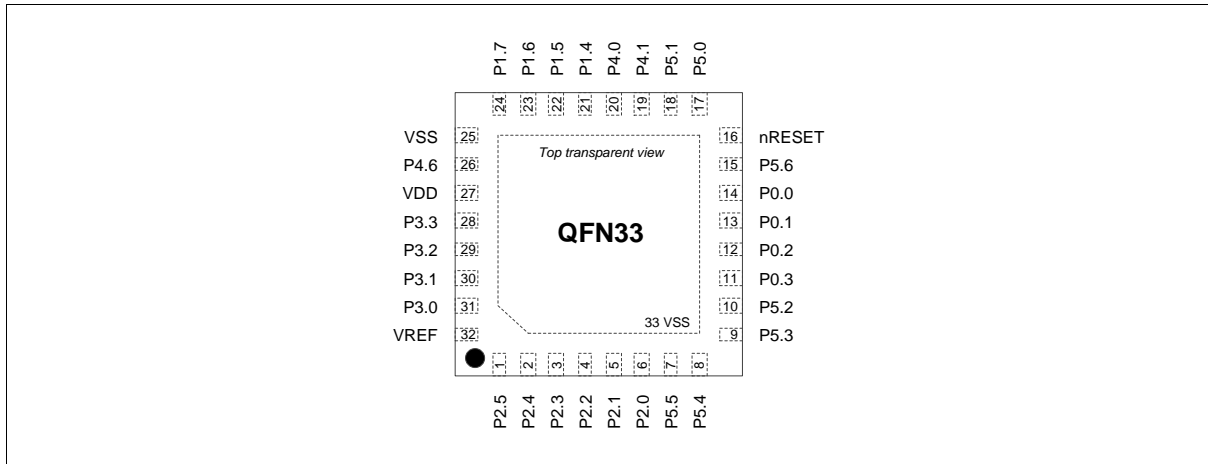


Figure 4.1-6 ML51TD1AE / ML51TC0AE / ML51TB9AE Pin Assignment

4.1.1.5 LQFP32 Package

Corresponding Part Number: ML51PC0AE / ML51PB9AE

ML51PC0AE / ML51PB9AE

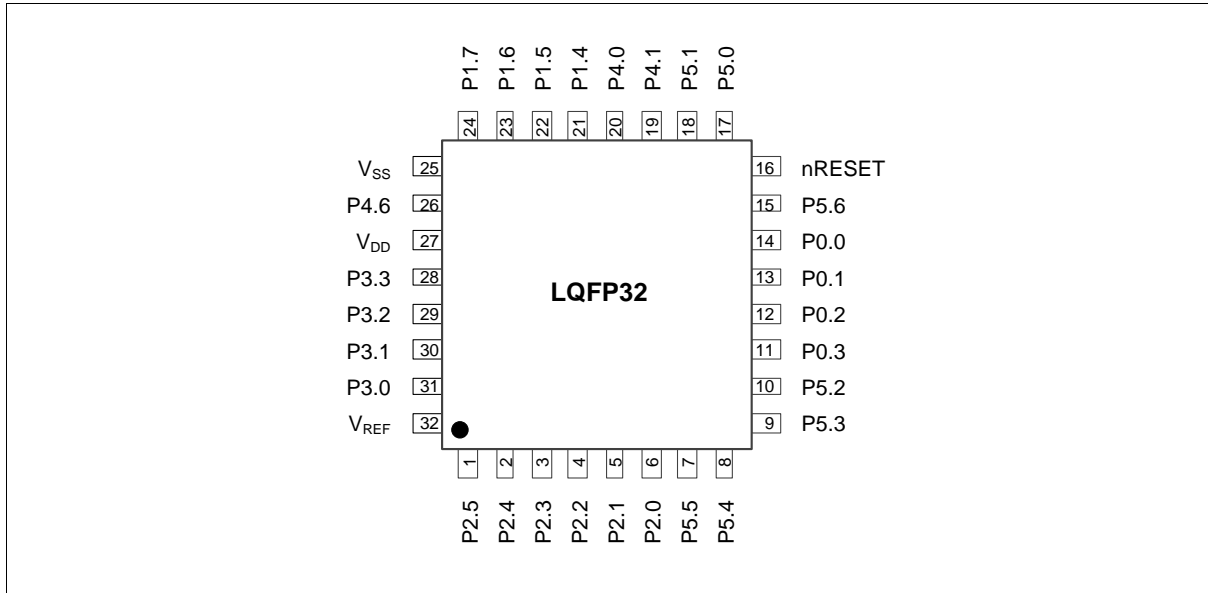


Figure 4.1-7 ML51PC0AE / ML51PB9AE Pin Assignment

4.1.1.6 TSSOP28 Package

Corresponding Part Number: ML51EC0AE / ML51EB9AE

ML51EC0AE / ML51EB9AE

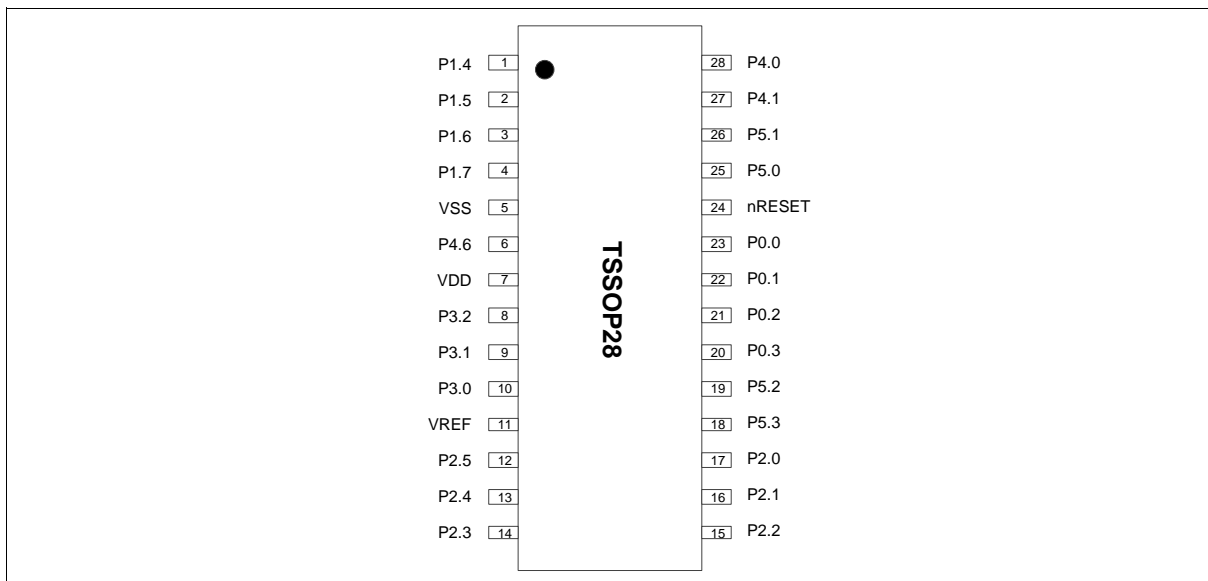


Figure 4.1-8 ML51EC0AE / ML51EB9AE Pin Assignment

4.1.1.7 SOP28 Package

Corresponding Part Number: ML51UC0AE / ML51UB9AE

ML51UC0AE / ML51UB9AE

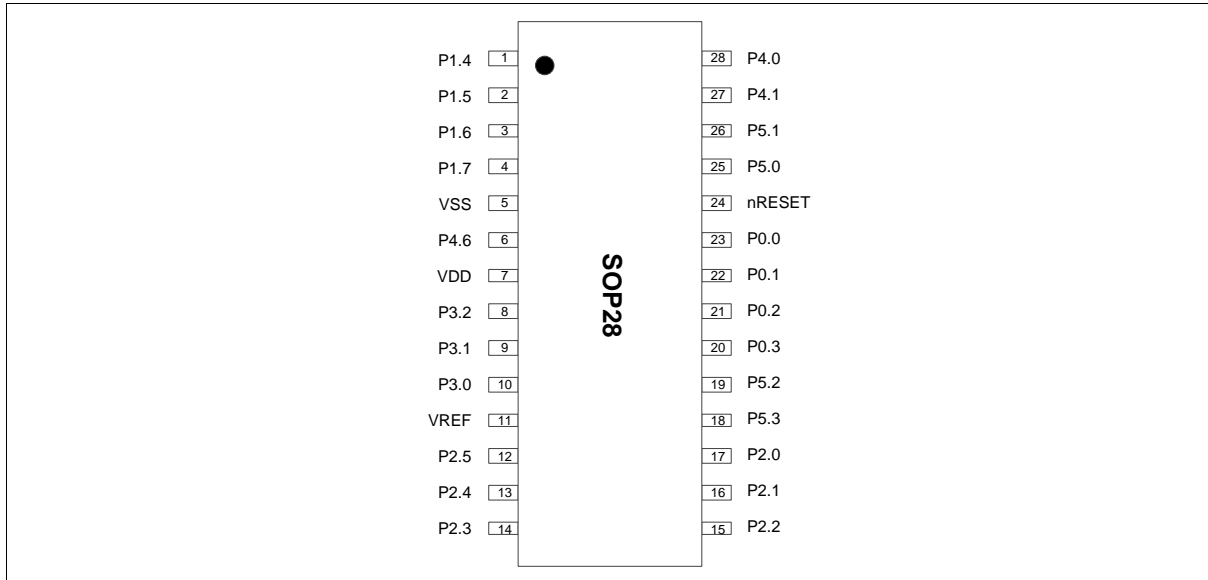


Figure 4.1-9 ML51UC0AE / ML51UB9AE Pin Assignment

4.1.1.8 TSSOP20 Package

Corresponding Part Number: ML51FB9AE

ML51FB9AE

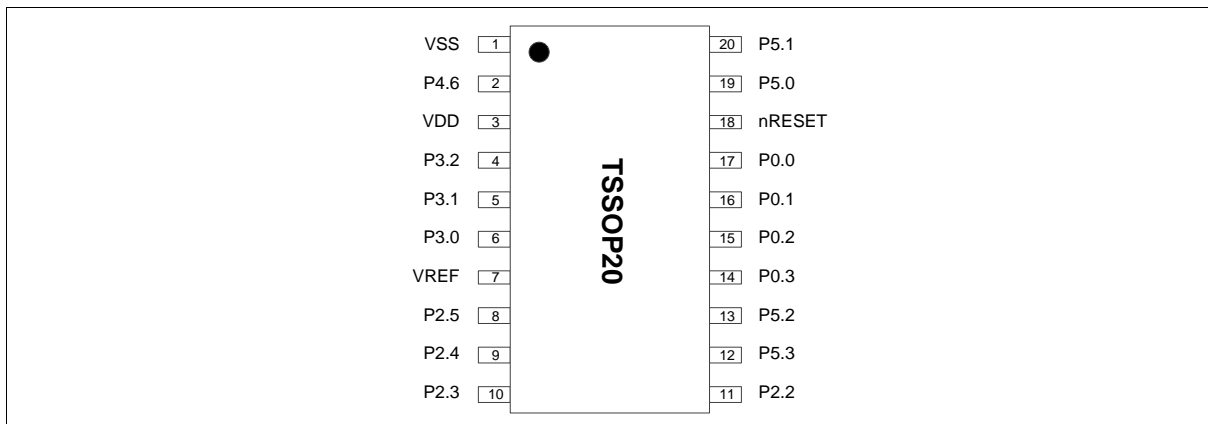


Figure 4.1-10 ML51FB9AE Pin Assignment

4.1.1.9 SOP20 Package

Corresponding Part Number: ML51OB9AE

ML51OB9AE

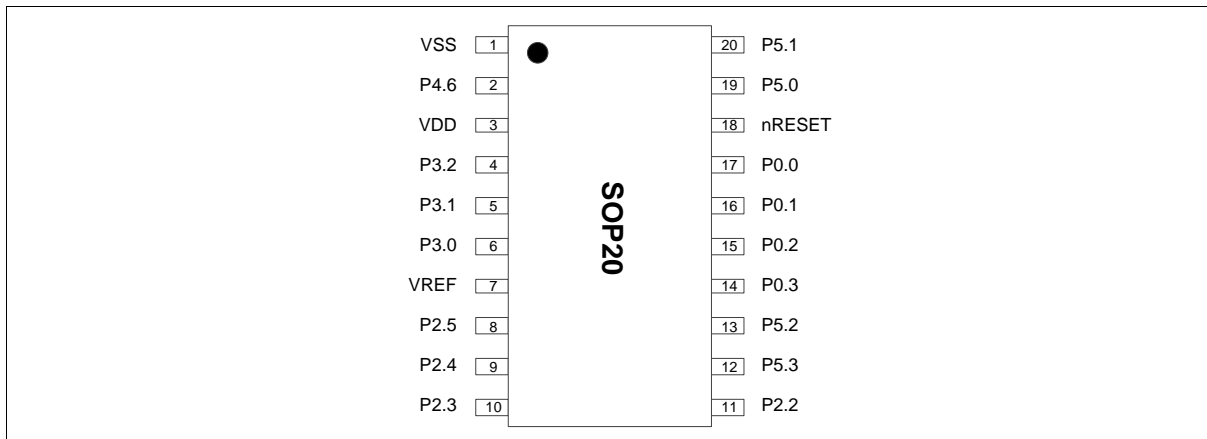


Figure 4.1-11 ML51OB9AE Pin Assignment

4.1.1.10 QFN20 Package

Corresponding Part Number: ML51XB9AE

ML51XB9AE

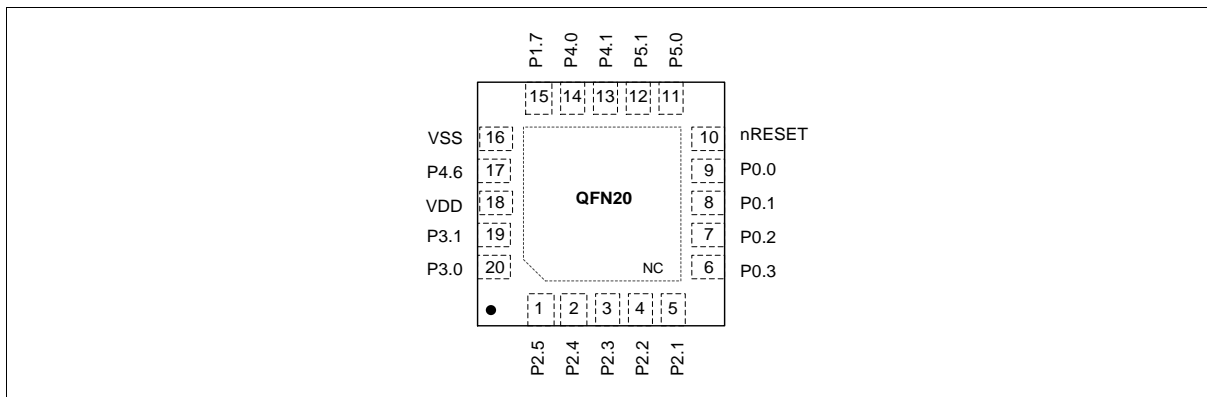


Figure 4.1-12 ML51XB9AE Pin Assignment

4.1.1.11 TSSOP14 Package

Corresponding Part Number: ML51DB9AE

ML51DB9AE

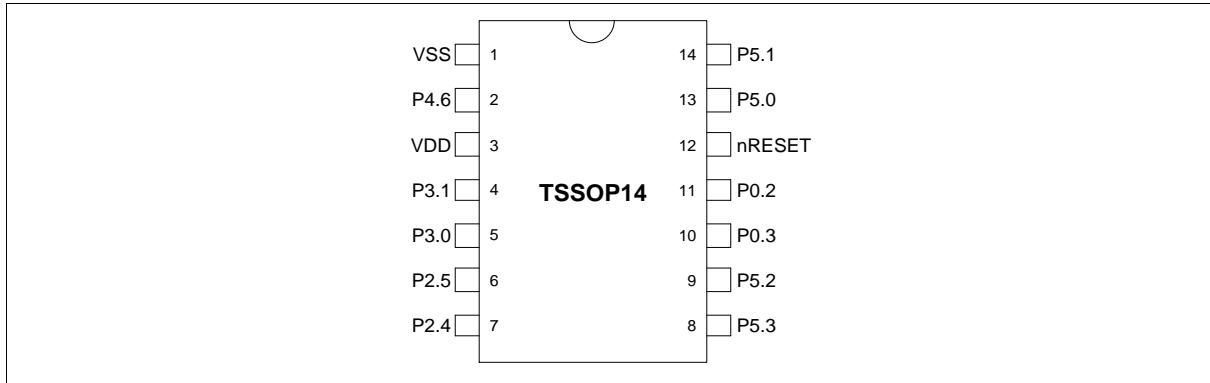


Figure 4.1-13 ML51DB9AE Pin Assignment

4.1.1.12 MSOP10 Package

Corresponding Part Number: ML51BB9AE

ML51BB9AE

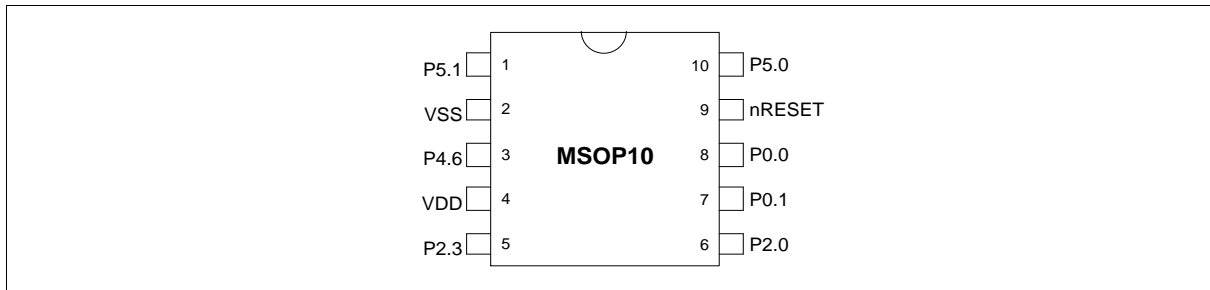


Figure 4.1-14 ML51BB9AE Pin Assignment

4.1.2 ML51/ML54/ML56 Series Multi Function Pin Diagram

4.1.2.1 LQFP64 Package

Corresponding Part Number: ML51SD1AE / ML54SD1AE / ML56SD1AE

ML51SD1AE Pin Function

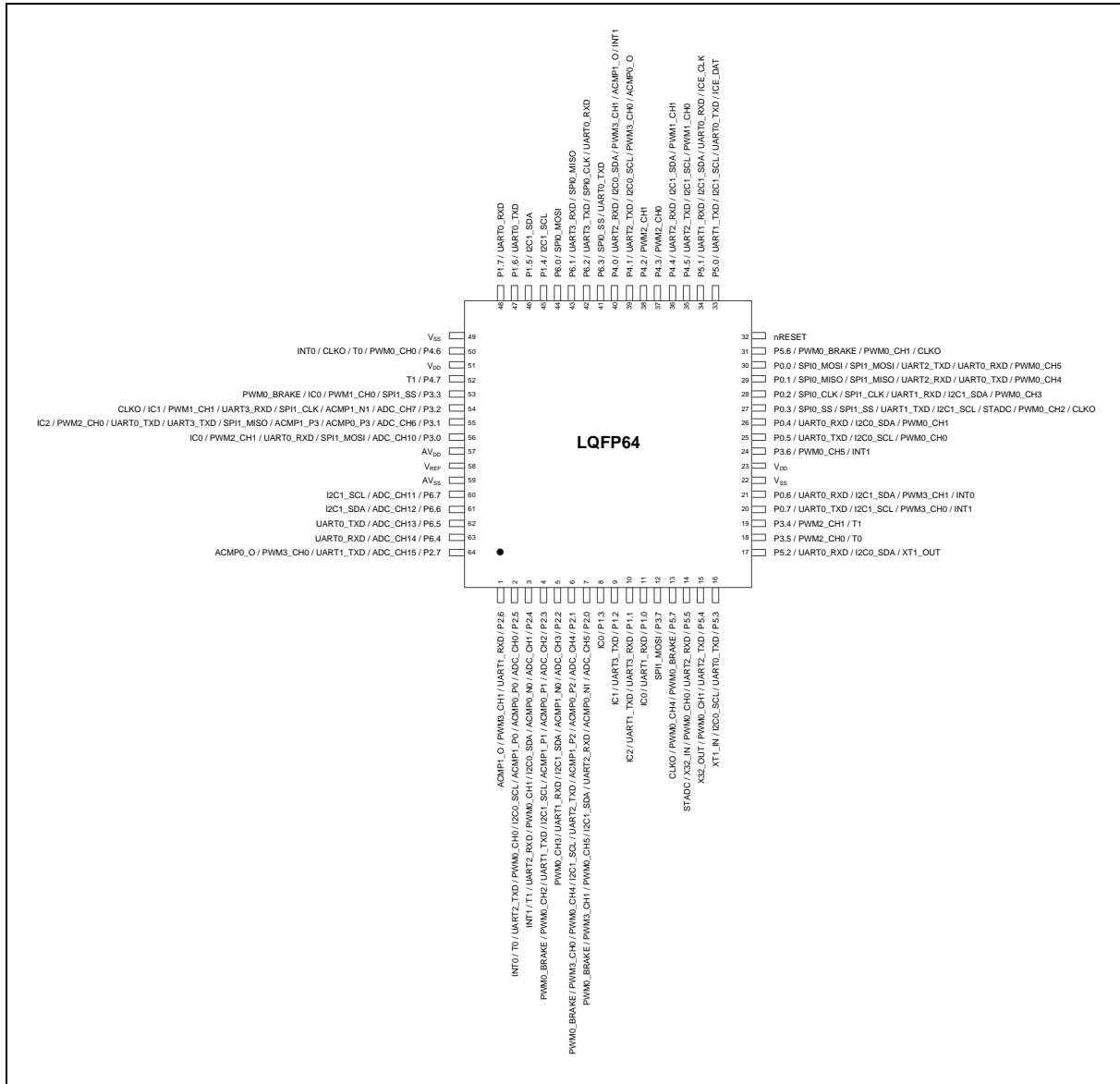


Figure 4.1-15 ML51SD1AE Multi-Function Pin assignment

Pin	ML51SD1AE Pin Function
1	P2.6 / UART1_RXD / PWM3_CH1 / ACMP1_O
2	P2.5 / ADC_CH0 / ACMP0_P0 / ACMP1_P0 / I2C0_SCL / PWM0_CH0 / UART2_TXD / T0 / INTO
3	P2.4 / ADC_CH1 / ACMP0_N0 / I2C0_SDA / PWM0_CH1 / UART2_RXD / T1 / INT1
4	P2.3 / ADC_CH2 / ACMP0_P1 / ACMP1_P1 / I2C1_SCL / UART1_TXD / PWM0_CH2 / PWM0_BRAKE

Pin	ML51SD1AE Pin Function
5	P2.2 / ADC_CH3 / ACMP1_N0 / I2C1_SDA / UART1_RXD / PWM0_CH3
6	P2.1 / ADC_CH4 / ACMP0_P2 / ACMP1_P2 / UART2_TXD / I2C1_SCL / PWM0_CH4 / PWM3_CH0 / PWM0_BRAKE
7	P2.0 / ADC_CH5 / ACMP0_N1 / UART2_RXD / I2C1_SDA / PWM0_CH5 / PWM3_CH1 / PWM0_BRAKE
8	P1.3 / IC0
9	P1.2 / UART3_TXD / IC1
10	P1.1 / UART3_RXD / UART1_TXD / IC2
11	P1.0 / UART1_RXD / IC0
12	P3.7 / SPI1_MOSI
13	P5.7 / PWM0_BRAKE / PWM0_CH4 / CLKO
14	P5.5 / UART2_RXD / PWM0_CH0 / X32_IN / STADC
15	P5.4 / UART2_TXD / PWM0_CH1 / X32_OUT
16	P5.3 / UART0_TXD / I2C0_SCL / XT1_IN
17	P5.2 / UART0_RXD / I2C0_SDA / XT1_OUT
18	P3.5 / PWM2_CH0 / T0
19	P3.4 / PWM2_CH1 / T1
20	P0.7 / UART0_TXD / I2C1_SCL / PWM3_CH0 / INT1
21	P0.6 / UART0_RXD / I2C1_SDA / PWM3_CH1 / INT0
22	V _{SS}
23	V _{DD}
24	P3.6 / PWM0_CH5 / INT1
25	P0.5 / UART0_TXD / I2C0_SCL / PWM0_CH0
26	P0.4 / UART0_RXD / I2C0_SDA / PWM0_CH1
27	P0.3 / SPI0_SS / SPI1_SS / UART1_TXD / I2C1_SCL / STADC / PWM0_CH2 / CLKO
28	P0.2 / SPI0_CLK / SPI1_CLK / UART1_RXD / I2C1_SDA / PWM0_CH3
29	P0.1 / SPI0_MISO / SPI1_MISO / UART2_RXD / UART0_TXD / PWM0_CH4
30	P0.0 / SPI0_MOSI / SPI1_MOSI / UART2_TXD / UART0_RXD / PWM0_CH5
31	P5.6 / PWM0_BRAKE / PWM0_CH1 / CLKO
32	nRESET
33	P5.0 / UART1_TXD / I2C1_SCL / UART0_TXD / ICE_DAT
34	P5.1 / UART1_RXD / I2C1_SDA / UART0_RXD / ICE_CLK
35	P4.5 / UART2_TXD / I2C1_SCL / PWM1_CH0
36	P4.4 / UART2_RXD / I2C1_SDA / PWM1_CH1

Pin	ML51SD1AE Pin Function
37	P4.3 / PWM2_CH0
38	P4.2 / PWM2_CH1
39	P4.1 / UART2_TXD / I2C0_SCL / PWM3_CH0 / ACMP0_O
40	P4.0 / UART2_RXD / I2C0_SDA / PWM3_CH1 / ACMP1_O / INT1
41	P6.3 / SPI0_SS / UART0_TXD
42	P6.2 / UART3_TXD / SPI0_CLK / UART0_RXD
43	P6.1 / UART3_RXD / SPI0_MISO
44	P6.0 / SPI0_MOSI
45	P1.4 / I2C1_SCL
46	P1.5 / I2C1_SDA
47	P1.6 / UART0_TXD
48	P1.7 / UART0_RXD
49	V _{SS}
50	P4.6 / PWM0_CH0 / T0 / CLKO / INT0
51	V _{DD}
52	P4.7 / T1
53	P3.3 / SPI1_SS / PWM1_CH0 / IC0 / PWM0_BRAKE
54	P3.2 / ADC_CH7 / ACMP1_N1 / SPI1_CLK / UART3_RXD / PWM1_CH1 / IC1 / CLKO
55	P3.1 / ADC_CH6 / ACMP0_P3 / ACMP1_P3 / SPI1_MISO / UART3_TXD / UART0_TXD / PWM2_CH0 / IC2
56	P3.0 / ADC_CH10 / SPI1_MOSI / UART0_RXD / PWM2_CH1 / IC0
57	AV _{DD}
58	V _{REF}
59	AV _{SS}
60	P6.7 / ADC_CH11 / I2C1_SCL
61	P6.6 / ADC_CH12 / I2C1_SDA
62	P6.5 / ADC_CH13 / UART0_TXD
63	P6.4 / ADC_CH14 / UART0_RXD
64	P2.7 / ADC_CH15 / UART1_TXD / PWM3_CH0 / ACMP0_O

ML54SD1AE Pin Function

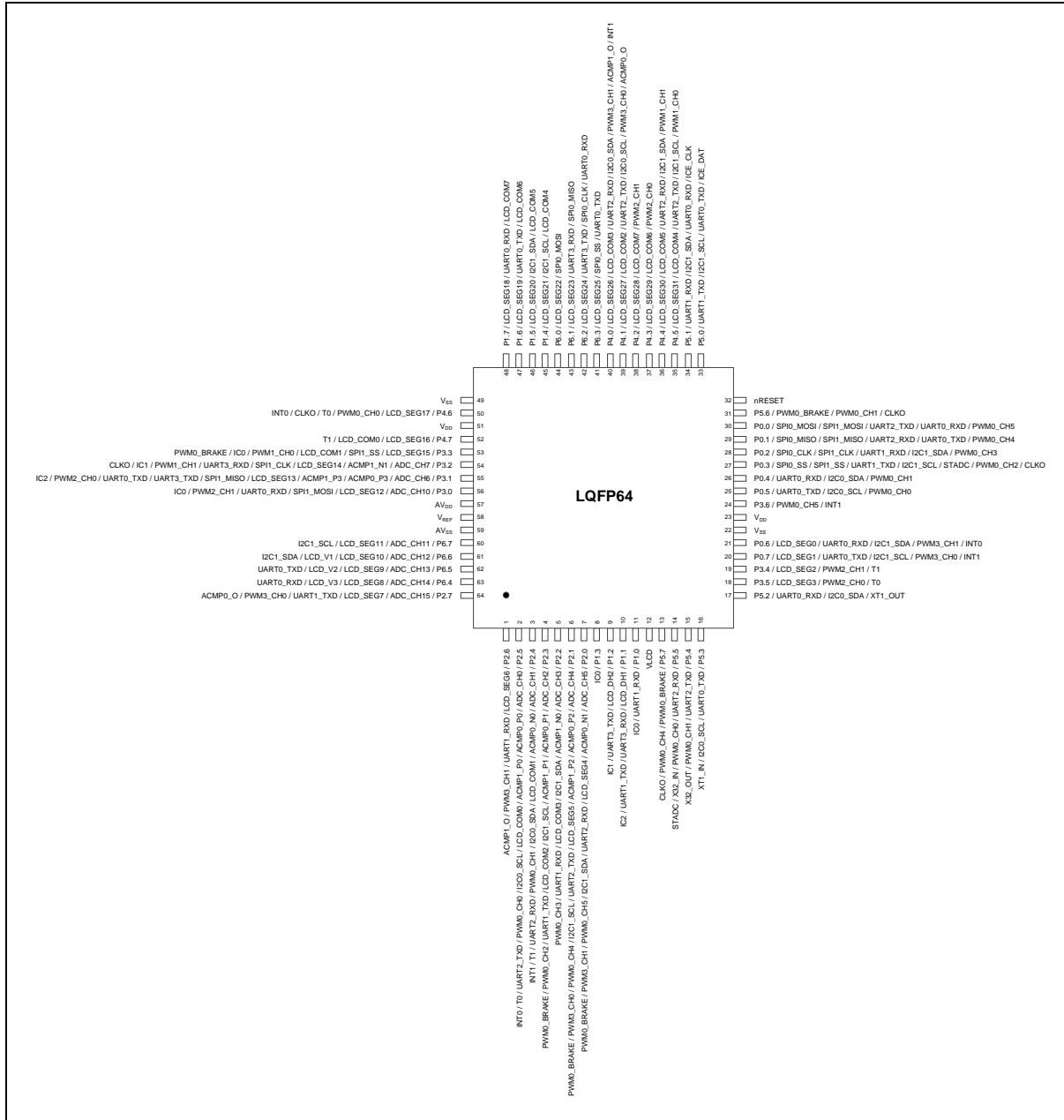


Figure 4.1-16 ML54SD1AE Multi-Function Pin assignment

Pin	ML54SD1AE Pin Function
1	P2.6 / LCD_SEG6 / UART1_RXD / PWM3_CH1 / ACMP1_O
2	P2.5 / ADC_CH0 / ACMP0_P0 / ACMP1_P0 / LCD_COM0 / I2C0_SCL / PWM0_CH0 / UART2_TXD / T0 / INT0
3	P2.4 / ADC_CH1 / ACMP0_N0 / LCD_COM1 / I2C0_SDA / PWM0_CH1 / UART2_RXD / T1 / INT1
4	P2.3 / ADC_CH2 / ACMP0_P1 / ACMP1_P1 / I2C1_SCL / LCD_COM2 / UART1_TXD / PWM0_CH2 / PWM0_BRAKE

Pin	ML54SD1AE Pin Function
5	P2.2 / ADC_CH3 / ACMP1_N0 / I2C1_SDA / LCD_COM3 / UART1_RXD / PWM0_CH3
6	P2.1 / ADC_CH4 / ACMP0_P2 / ACMP1_P2 / LCD_SEG5 / UART2_TXD / I2C1_SCL / PWM0_CH4 / PWM3_CH0 / PWM0_BRAKE
7	P2.0 / ADC_CH5 / ACMP0_N1 / LCD_SEG4 / UART2_RXD / I2C1_SDA / PWM0_CH5 / PWM3_CH1 / PWM0_BRAKE
8	P1.3 / IC0
9	P1.2 / LCD_DH2 / UART3_TXD / IC1
10	P1.1 / LCD_DH1 / UART3_RXD / UART1_TXD / IC2
11	P1.0 / UART1_RXD / IC0
12	VLCD
13	P5.7 / PWM0_BRAKE / PWM0_CH4 / CLKO
14	P5.5 / UART2_RXD / PWM0_CH0 / X32_IN / STADC
15	P5.4 / UART2_TXD / PWM0_CH1 / X32_OUT
16	P5.3 / UART0_TXD / I2C0_SCL / XT1_IN
17	P5.2 / UART0_RXD / I2C0_SDA / XT1_OUT
18	P3.5 / LCD_SEG3 / PWM2_CH0 / T0
19	P3.4 / LCD_SEG2 / PWM2_CH1 / T1
20	P0.7 / LCD_SEG1 / UART0_TXD / I2C1_SCL / PWM3_CH0 / INT1
21	P0.6 / LCD_SEG0 / UART0_RXD / I2C1_SDA / PWM3_CH1 / INT0
22	V _{SS}
23	V _{DD}
24	P3.6 / PWM0_CH5 / INT1
25	P0.5 / UART0_TXD / I2C0_SCL / PWM0_CH0
26	P0.4 / UART0_RXD / I2C0_SDA / PWM0_CH1
27	P0.3 / SPI0_SS / SPI1_SS / UART1_TXD / I2C1_SCL / STADC / PWM0_CH2 / CLKO
28	P0.2 / SPI0_CLK / SPI1_CLK / UART1_RXD / I2C1_SDA / PWM0_CH3
29	P0.1 / SPI0_MISO / SPI1_MISO / UART2_RXD / UART0_TXD / PWM0_CH4
30	P0.0 / SPI0_MOSI / SPI1_MOSI / UART2_TXD / UART0_RXD / PWM0_CH5
31	P5.6 / PWM0_BRAKE / PWM0_CH1 / CLKO
32	nRESET
33	P5.0 / UART1_TXD / I2C1_SCL / UART0_TXD / ICE_DAT
34	P5.1 / UART1_RXD / I2C1_SDA / UART0_RXD / ICE_CLK
35	P4.5 / LCD_SEG31 / LCD_COM4 / UART2_TXD / I2C1_SCL / PWM1_CH0

Pin	ML54SD1AE Pin Function
36	P4.4 / LCD_SEG30 / LCD_COM5 / UART2_RXD / I2C1_SDA / PWM1_CH1
37	P4.3 / LCD_SEG29 / LCD_COM6 / PWM2_CH0
38	P4.2 / LCD_SEG28 / LCD_COM7 / PWM2_CH1
39	P4.1 / LCD_SEG27 / LCD_COM2 / UART2_TXD / I2C0_SCL / PWM3_CH0 / ACMP0_O
40	P4.0 / LCD_SEG26 / LCD_COM3 / UART2_RXD / I2C0_SDA / PWM3_CH1 / ACMP1_O / INT1
41	P6.3 / LCD_SEG25 / SPI0_SS / UART0_TXD
42	P6.2 / LCD_SEG24 / UART3_TXD / SPI0_CLK / UART0_RXD
43	P6.1 / LCD_SEG23 / UART3_RXD / SPI0_MISO
44	P6.0 / LCD_SEG22 / SPI0_MOSI
45	P1.4 / LCD_SEG21 / I2C1_SCL / LCD_COM4
46	P1.5 / LCD_SEG20 / I2C1_SDA / LCD_COM5
47	P1.6 / LCD_SEG19 / UART0_TXD / LCD_COM6
48	P1.7 / LCD_SEG18 / UART0_RXD / LCD_COM7
49	V _{SS}
50	P4.6 / LCD_SEG17 / PWM0_CH0 / T0 / CLKO / INT0
51	V _{DD}
52	P4.7 / LCD_SEG16 / LCD_COM0 / T1
53	P3.3 / LCD_SEG15 / SPI1_SS / LCD_COM1 / PWM1_CH0 / IC0 / PWM0_BRAKE
54	P3.2 / ADC_CH7 / ACMP1_N1 / LCD_SEG14 / SPI1_CLK / UART3_RXD / PWM1_CH1 / IC1 / CLKO
55	P3.1 / ADC_CH6 / ACMP0_P3 / ACMP1_P3 / LCD_SEG13 / SPI1_MISO / UART3_TXD / UART0_TXD / PWM2_CH0 / IC2
56	P3.0 / ADC_CH10 / LCD_SEG12 / SPI1_MOSI / UART0_RXD / PWM2_CH1 / IC0
57	AV _{DD}
58	V _{REF}
59	AV _{SS}
60	P6.7 / ADC_CH11 / LCD_SEG11 / I2C1_SCL
61	P6.6 / ADC_CH12 / LCD_SEG10 / LCD_V1 / I2C1_SDA
62	P6.5 / ADC_CH13 / LCD_SEG9 / LCD_V2 / UART0_TXD
63	P6.4 / ADC_CH14 / LCD_SEG8 / LCD_V3 / UART0_RXD
64	P2.7 / ADC_CH15 / LCD_SEG7 / UART1_TXD / PWM3_CH0 / ACMP0_O

ML56SD1AE Pin Function

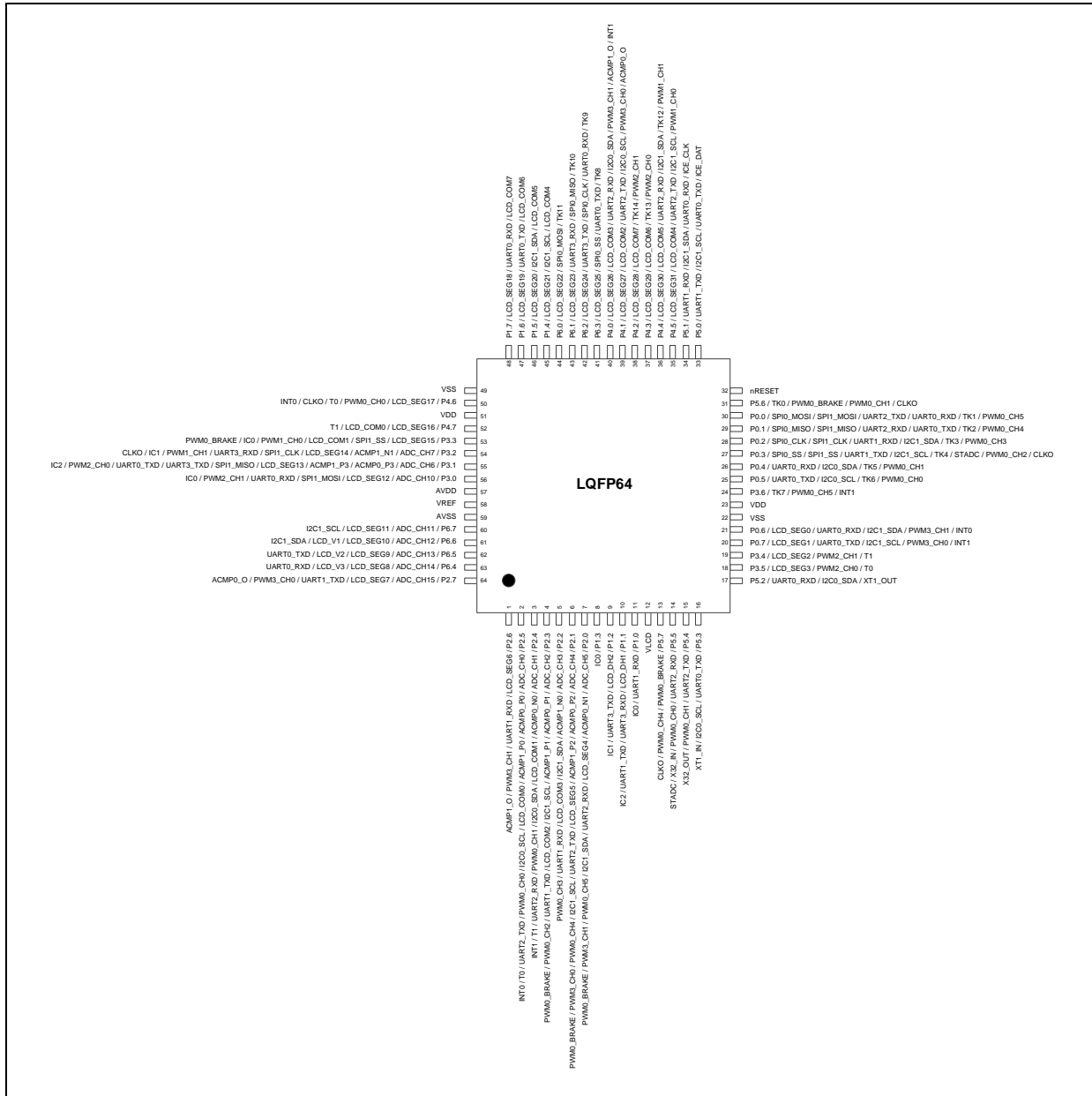


Figure 4.1-17 ML56SD1AE Multi-Function Pin assignment

Pin	ML56SD1AE Pin Function
1	P2.6/LCD_SEG6/UART1_RXD/PWM3_CH1/ACMP1_O
2	P2.5/ADC_CH0/ACMP0_P0/ACMP1_P0/LCD_COM0/I2C0_SCL/PWM0_CH0/UART2_TXD/T0/INT0
3	P2.4/ADC_CH1/ACMP0_N0/LCD_COM1/I2C0_SDA/PWM0_CH1/UART2_RXD/T1/INT1
4	P2.3/ADC_CH2/ACMP0_P1/ACMP1_P1/I2C1_SCL/LCD_COM2/UART1_TXD/PWM0_CH2/PWM0_BRAKE
5	P2.2/ADC_CH3/ACMP1_N0/I2C1_SDA/LCD_COM3/UART1_RXD/PWM0_CH3
6	P2.1/ADC_CH4/ACMP0_P2/ACMP1_P2/LCD_SEG5/UART2_TXD/I2C1_SCL/PWM0_CH4/PWM3_CH0/PWM0_BRAK

Pin	ML56SD1AE Pin Function
	E
7	P2.0/ADC_CH5/ACMP0_N1/LCD_SEG4/UART2_RXD/I2C1_SDA/PWM0_CH5/PWM3_CH1/PWM0_BRAKE
8	P1.3/IC0
9	P1.2/LCD_DH2/UART3_TXD/IC1
10	P1.1/LCD_DH1/UART3_RXD/UART1_TXD/IC2
11	P1.0/UART1_RXD/IC0
12	VLCD
13	P5.7/PWM0_BRAKE/PWM0_CH4/CLKO
14	P5.5/UART2_RXD/PWM0_CH0/X32_IN/STADC
15	P5.4/UART2_TXD/PWM0_CH1/X32_OUT
16	P5.3/UART0_TXD/I2C0_SCL/XT1_IN
17	P5.2/UART0_RXD/I2C0_SDA/XT1_OUT
18	P3.5/LCD_SEG3/PWM2_CH0/T0
19	P3.4/LCD_SEG2/PWM2_CH1/T1
20	P0.7/LCD_SEG1/UART0_TXD/I2C1_SCL/PWM3_CH0/INT1
21	P0.6/LCD_SEG0/UART0_RXD/I2C1_SDA/PWM3_CH1/INT0
22	VSS
23	VDD
24	P3.6/TK7/PWM0_CH5/INT1
25	P0.5/UART0_TXD/I2C0_SCL/TK6/PWM0_CH0
26	P0.4/UART0_RXD/I2C0_SDA/TK5/PWM0_CH1
27	P0.3/SPI0_SS/SPI1_SS/UART1_TXD/I2C1_SCL/TK4/STADC/PWM0_CH2/CLKO
28	P0.2/SPI0_CLK/SPI1_CLK/UART1_RXD/I2C1_SDA/TK3/PWM0_CH3
29	P0.1/SPI0_MISO/SPI1_MISO/UART2_RXD/UART0_TXD/TK2/PWM0_CH4
30	P0.0/SPI0_MOSI/SPI1_MOSI/UART2_TXD/UART0_RXD/TK1/PWM0_CH5
31	P5.6/TK0/PWM0_BRAKE/PWM0_CH1/CLKO
32	nRESET
33	P5.0/UART1_TXD/I2C1_SCL/UART0_TXD/ICE_DAT
34	P5.1/UART1_RXD/I2C1_SDA/UART0_RXD/ICE_CLK
35	P4.5/LCD_SEG31/LCD_COM4/UART2_TXD/I2C1_SCL/PWM1_CH0
36	P4.4/LCD_SEG30/LCD_COM5/UART2_RXD/I2C1_SDA/TK12/PWM1_CH1
37	P4.3/LCD_SEG29/LCD_COM6/TK13/PWM2_CH0
38	P4.2/LCD_SEG28/LCD_COM7/TK14/PWM2_CH1
39	P4.1/LCD_SEG27/LCD_COM2/UART2_TXD/I2C0_SCL/PWM3_CH0/ACMP0_O
40	P4.0/LCD_SEG26/LCD_COM3/UART2_RXD/I2C0_SDA/PWM3_CH1/ACMP1_O/INT1

Pin	ML56SD1AE Pin Function
41	P6.3/LCD_SEG25/SPI0_SS/UART0_TXD/TK8
42	P6.2/LCD_SEG24/UART3_TXD/SPI0_CLK/UART0_RXD/TK9
43	P6.1/LCD_SEG23/UART3_RXD/SPI0_MISO/TK10
44	P6.0/LCD_SEG22/SPI0_MOSI/TK11
45	P1.4/LCD_SEG21/I2C1_SCL/LCD_COM4
46	P1.5/LCD_SEG20/I2C1_SDA/LCD_COM5
47	P1.6/LCD_SEG19/UART0_TXD/LCD_COM6
48	P1.7/LCD_SEG18/UART0_RXD/LCD_COM7
49	VSS
50	P4.6/LCD_SEG17/PWM0_CH0/T0/CLKO/INT0
51	VDD
52	P4.7/LCD_SEG16/LCD_COM0/T1
53	P3.3/LCD_SEG15/SPI1_SS/LCD_COM1/PWM1_CH0/IC0/PWM0_BRAKE
54	P3.2/ADC_CH7/ACMP1_N1/LCD_SEG14/SPI1_CLK/UART3_RXD/PWM1_CH1/IC1/CLKO
55	P3.1/ADC_CH6/ACMP0_P3/ACMP1_P3/LCD_SEG13/SPI1_MISO/UART3_TXD/UART0_TXD/PWM2_CH0/IC2
56	P3.0/ADC_CH10/LCD_SEG12/SPI1_MOSI/UART0_RXD/PWM2_CH1/IC0
57	AV _{DD}
58	V _{REF}
59	AVSS
60	P6.7/ADC_CH11/LCD_SEG11/I2C1_SCL
61	P6.6/ADC_CH12/LCD_SEG10/LCD_V1/I2C1_SDA
62	P6.5/ADC_CH13/LCD_SEG9/LCD_V2/UART0_TXD
63	P6.4/ADC_CH14/LCD_SEG8/LCD_V3/UART0_RXD
64	P2.7/ADC_CH15/LCD_SEG7/UART1_TXD/PWM3_CH0/ACMP0_O

4.1.2.2 LQFP48 Package

Corresponding Part Number: ML51LD1AE

ML51LD1AE Pin Function

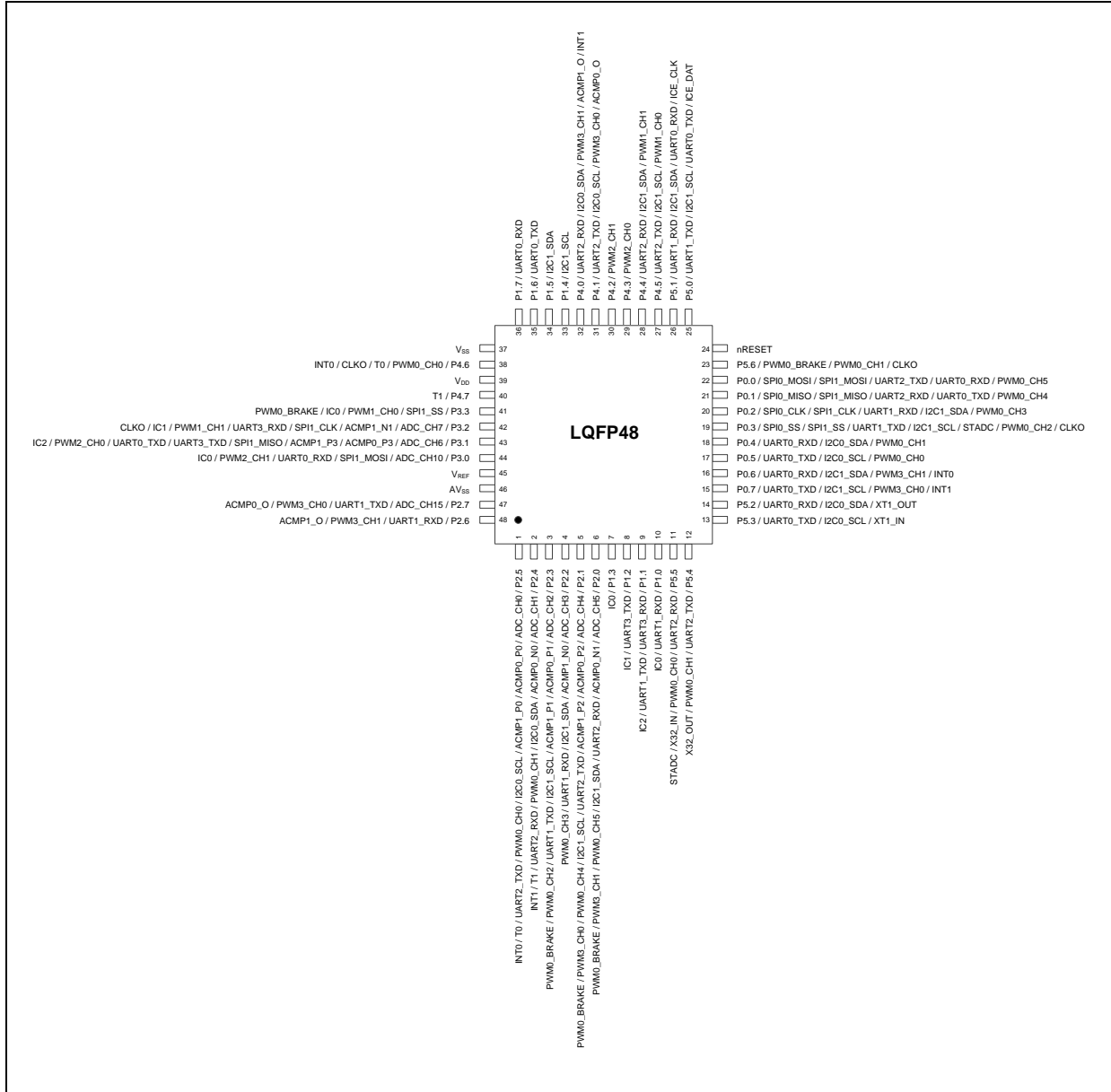


Figure 4.1-18 ML51LD1AE Multi-Function Pin assignment

Pin	ML51LD1AE Pin Function
1	P2.5 / ADC_CH0 / ACMP0_P0 / ACMP1_P0 / I2C0_SCL / PWM0_CH0 / UART2_TXD / T0 / INTO
2	P2.4 / ADC_CH1 / ACMP0_N0 / I2C0_SDA / PWM0_CH1 / UART2_RXD / T1 / INT1
3	P2.3 / ADC_CH2 / ACMP0_P1 / ACMP1_P1 / I2C1_SCL / UART1_TXD / PWM0_CH2 / PWM0_BRAKE
4	P2.2 / ADC_CH3 / ACMP1_N0 / I2C1_SDA / UART1_RXD / PWM0_CH3

Pin	ML51LD1AE Pin Function
5	P2.1 / ADC_CH4 / ACMP0_P2 / ACMP1_P2 / UART2_TXD / I2C1_SCL / PWM0_CH4 / PWM3_CH0 / PWM0_BRAKE
6	P2.0 / ADC_CH5 / ACMP0_N1 / UART2_RXD / I2C1_SDA / PWM0_CH5 / PWM3_CH1 / PWM0_BRAKE
7	P1.3 / IC0
8	P1.2 / UART3_TXD / IC1
9	P1.1 / UART3_RXD / UART1_TXD / IC2
10	P1.0 / UART1_RXD / IC0
11	P5.5 / UART2_RXD / PWM0_CH0 / X32_IN / STADC
12	P5.4 / UART2_TXD / PWM0_CH1 / X32_OUT
13	P5.3 / UART0_TXD / I2C0_SCL / XT1_IN
14	P5.2 / UART0_RXD / I2C0_SDA / XT1_OUT
15	P0.7 / UART0_TXD / I2C1_SCL / PWM3_CH0 / INT1
16	P0.6 / UART0_RXD / I2C1_SDA / PWM3_CH1 / INT0
17	P0.5 / UART0_TXD / I2C0_SCL / PWM0_CH0
18	P0.4 / UART0_RXD / I2C0_SDA / PWM0_CH1
19	P0.3 / SPI0_SS / SPI1_SS / UART1_TXD / I2C1_SCL / STADC / PWM0_CH2 / CLKO
20	P0.2 / SPI0_CLK / SPI1_CLK / UART1_RXD / I2C1_SDA / PWM0_CH3
21	P0.1 / SPI0_MISO / SPI1_MISO / UART2_RXD / UART0_TXD / PWM0_CH4
22	P0.0 / SPI0_MOSI / SPI1_MOSI / UART2_TXD / UART0_RXD / PWM0_CH5
23	P5.6 / PWM0_BRAKE / PWM0_CH1 / CLKO
24	nRESET
25	P5.0 / UART1_TXD / I2C1_SCL / UART0_TXD / ICE_DAT
26	P5.1 / UART1_RXD / I2C1_SDA / UART0_RXD / ICE_CLK
27	P4.5 / UART2_TXD / I2C1_SCL / PWM1_CH0
28	P4.4 / UART2_RXD / I2C1_SDA / PWM1_CH1
29	P4.3 / PWM2_CH0
30	P4.2 / PWM2_CH1
31	P4.1 / UART2_TXD / I2C0_SCL / PWM3_CH0 / ACMP0_O
32	P4.0 / UART2_RXD / I2C0_SDA / PWM3_CH1 / ACMP1_O / INT1
33	P1.4 / I2C1_SCL
34	P1.5 / I2C1_SDA
35	P1.6 / UART0_TXD
36	P1.7 / UART0_RXD

Pin	ML51LD1AE Pin Function
37	VSS
38	P4.6 / PWM0_CH0 / T0 / CLKO / INTO
39	V _{DD}
40	P4.7 / T1
41	P3.3 / SPI1_SS / PWM1_CH0 / IC0 / PWM0_BRAKE
42	P3.2 / ADC_CH7 / ACMP1_N1 / SPI1_CLK / UART3_RXD / PWM1_CH1 / IC1 / CLKO
43	P3.1 / ADC_CH6 / ACMP0_P3 / ACMP1_P3 / SPI1_MISO / UART3_TXD / UART0_TXD / PWM2_CH0 / IC2
44	P3.0 / ADC_CH10 / SPI1_MOSI / UART0_RXD / PWM2_CH1 / IC0
45	V _{REF}
46	AV _{SS}
47	P2.7 / ADC_CH15 / UART1_TXD / PWM3_CH0 / ACMP0_O
48	P2.6 / UART1_RXD / PWM3_CH1 / ACMP1_O

ML54LD1AE Pin Function

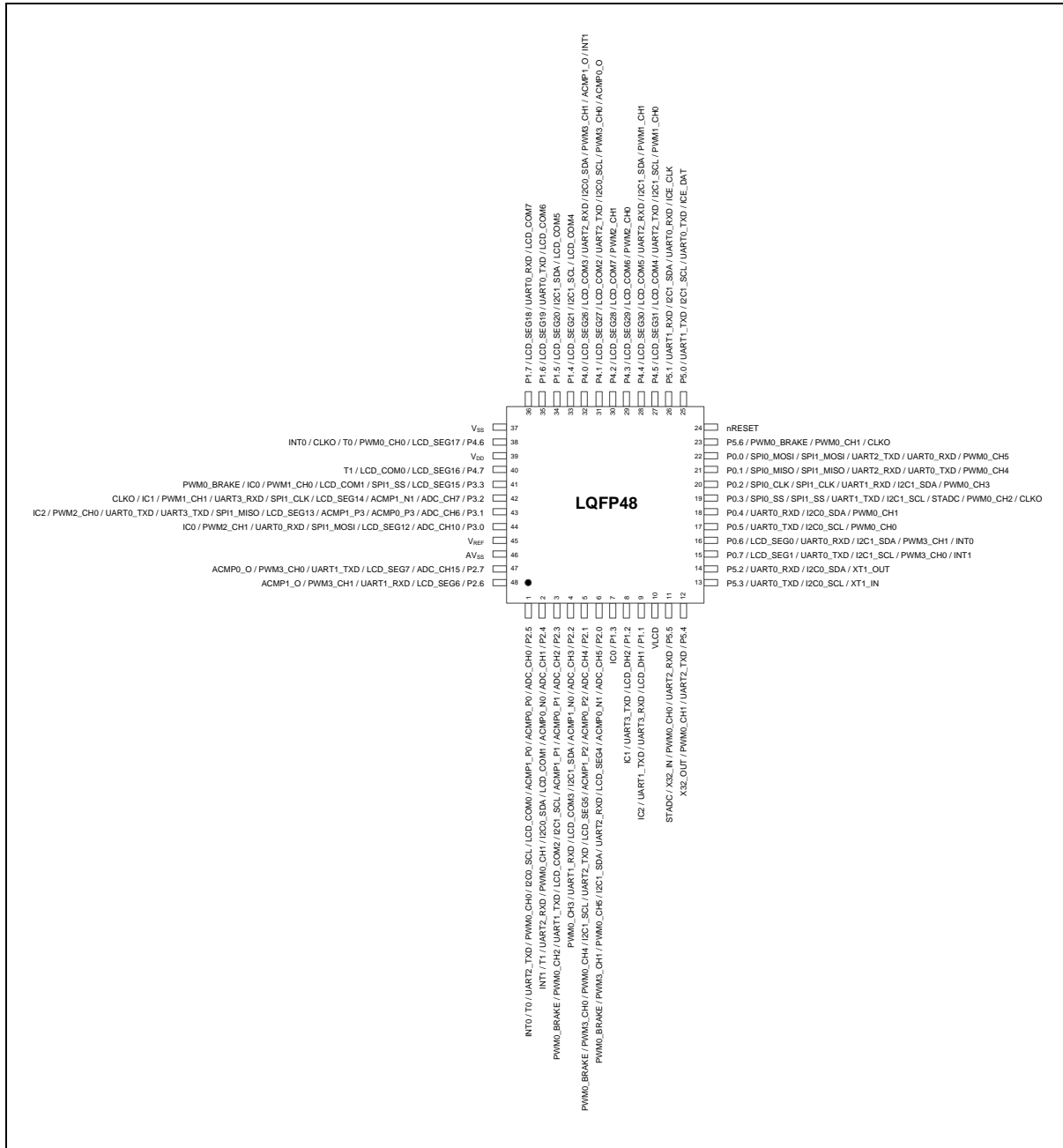


Figure 4.1-19 ML54LD1AE Multi-Function Pin assignment

Pin	ML54LD1AE Pin Function
1	P2.5 / ADC_CH0 / ACMP0_P0 / ACMP1_P0 / LCD_COM0 / I2C0_SCL / PWM0_CH0 / UART2_TXD / T0 / INT0
2	P2.4 / ADC_CH1 / ACMP0_N0 / LCD_COM1 / I2C0_SDA / PWM0_CH1 / UART2_RXD / T1 / INT1
3	P2.3 / ADC_CH2 / ACMP0_P1 / ACMP1_P1 / I2C1_SCL / LCD_COM2 / UART1_TXD / PWM0_CH2 / PWM0_BRAKE

Pin	ML54LD1AE Pin Function
4	P2.2 / ADC_CH3 / ACMP1_N0 / I2C1_SDA / LCD_COM3 / UART1_RXD / PWM0_CH3
5	P2.1 / ADC_CH4 / ACMP0_P2 / ACMP1_P2 / LCD_SEG5 / UART2_TXD / I2C1_SCL / PWM0_CH4 / PWM3_CH0 / PWM0_BRAKE
6	P2.0 / ADC_CH5 / ACMP0_N1 / LCD_SEG4 / UART2_RXD / I2C1_SDA / PWM0_CH5 / PWM3_CH1 / PWM0_BRAKE
7	P1.3 / IC0
8	P1.2 / LCD_DH2 / UART3_TXD / IC1
9	P1.1 / LCD_DH1 / UART3_RXD / UART1_TXD / IC2
10	VLCD
11	P5.5 / UART2_RXD / PWM0_CH0 / X32_IN / STADC
12	P5.4 / UART2_TXD / PWM0_CH1 / X32_OUT
13	P5.3 / UART0_TXD / I2C0_SCL / XT1_IN
14	P5.2 / UART0_RXD / I2C0_SDA / XT1_OUT
15	P0.7 / LCD_SEG1 / UART0_TXD / I2C1_SCL / PWM3_CH0 / INT1
16	P0.6 / LCD_SEG0 / UART0_RXD / I2C1_SDA / PWM3_CH1 / INT0
17	P0.5 / UART0_TXD / I2C0_SCL / PWM0_CH0
18	P0.4 / UART0_RXD / I2C0_SDA / PWM0_CH1
19	P0.3 / SPI0_SS / SPI1_SS / UART1_TXD / I2C1_SCL / STADC / PWM0_CH2 / CLKO
20	P0.2 / SPI0_CLK / SPI1_CLK / UART1_RXD / I2C1_SDA / PWM0_CH3
21	P0.1 / SPI0_MISO / SPI1_MISO / UART2_RXD / UART0_TXD / PWM0_CH4
22	P0.0 / SPI0_MOSI / SPI1_MOSI / UART2_TXD / UART0_RXD / PWM0_CH5
23	P5.6 / PWM0_BRAKE / PWM0_CH1 / CLKO
24	nRESET
25	P5.0 / UART1_TXD / I2C1_SCL / UART0_TXD / ICE_DAT
26	P5.1 / UART1_RXD / I2C1_SDA / UART0_RXD / ICE_CLK
27	P4.5 / LCD_SEG31 / LCD_COM4 / UART2_TXD / I2C1_SCL / PWM1_CH0
28	P4.4 / LCD_SEG30 / LCD_COM5 / UART2_RXD / I2C1_SDA / PWM1_CH1
29	P4.3 / LCD_SEG29 / LCD_COM6 / PWM2_CH0
30	P4.2 / LCD_SEG28 / LCD_COM7 / PWM2_CH1
31	P4.1 / LCD_SEG27 / LCD_COM2 / UART2_TXD / I2C0_SCL / PWM3_CH0 / ACMP0_O
32	P4.0 / LCD_SEG26 / LCD_COM3 / UART2_RXD / I2C0_SDA / PWM3_CH1 / ACMP1_O / INT1
33	P1.4 / LCD_SEG21 / I2C1_SCL / LCD_COM4
34	P1.5 / LCD_SEG20 / I2C1_SDA / LCD_COM5

Pin	ML54LD1AE Pin Function
35	P1.6 / LCD_SEG19 / UART0_TXD / LCD_COM6
36	P1.7 / LCD_SEG18 / UART0_RXD / LCD_COM7
37	VSS
38	P4.6 / LCD_SEG17 / PWM0_CH0 / T0 / CLKO / INT0
39	V _{DD}
40	P4.7 / LCD_SEG16 / LCD_COM0 / T1
41	P3.3 / LCD_SEG15 / SPI1_SS / LCD_COM1 / PWM1_CH0 / IC0 / PWM0_BRAKE
42	P3.2 / ADC_CH7 / ACMP1_N1 / LCD_SEG14 / SPI1_CLK / UART3_RXD / PWM1_CH1 / IC1 / CLKO
43	P3.1 / ADC_CH6 / ACMP0_P3 / ACMP1_P3 / LCD_SEG13 / SPI1_MISO / UART3_TXD / UART0_TXD / PWM2_CH0 / IC2
44	P3.0 / ADC_CH10 / LCD_SEG12 / SPI1_MOSI / UART0_RXD / PWM2_CH1 / IC0
45	V _{REF}
46	AV _{SS}
47	P2.7 / ADC_CH15 / LCD_SEG7 / UART1_TXD / PWM3_CH0 / ACMP0_O
48	P2.6 / LCD_SEG6 / UART1_RXD / PWM3_CH1 / ACMP1_O

ML56LD1AE Pin Function

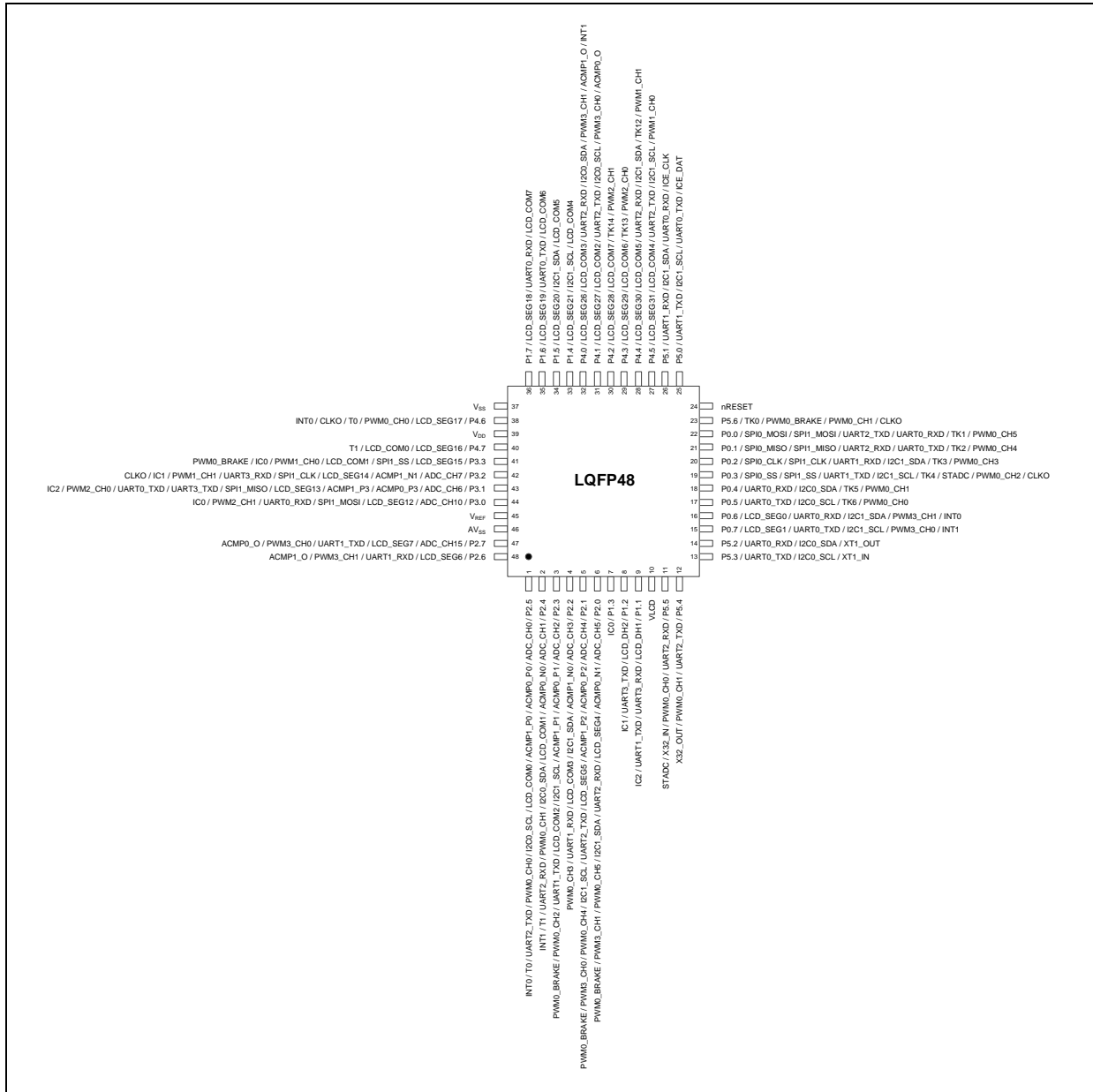


Figure 4.1-20 ML56LD1AE Multi-Function Pin assignment

Pin	ML56LD1AE/ML56LC1AE Pin Function
1	P2.5/ADC_CH0/ACMP0_P0/ACMP1_P0/LCD_COM0/I2C0_SCL/PWM0_CH0/UART2_TXD/T0/INT0
2	P2.4/ADC_CH1/ACMP0_N0/LCD_COM1/I2C0_SDA/PWM0_CH1/UART2_RXD/T1/INT1
3	P2.3/ADC_CH2/ACMP0_P1/ACMP1_P1/I2C1_SCL/LCD_COM2/UART1_TXD/PWM0_CH2/PWM0_BRAKE
4	P2.2/ADC_CH3/ACMP1_N0/I2C1_SDA/LCD_COM3/UART1_RXD/PWM0_CH3
5	P2.1/ADC_CH4/ACMP0_P2/ACMP1_P2/LCD_SEG5/UART2_TXD/I2C1_SCL/PWM0_CH4/PWM3_CH0/PWM0_BRAKE

Pin	ML56LD1AE/ML56LC1AE Pin Function
6	P2.0/ADC_CH5/ACMP0_N1/LCD_SEG4/UART2_RXD/I2C1_SDA/PWM0_CH5/PWM3_CH1/PWM0_BRAKE
7	P1.3/IC0
8	P1.2/LCD_DH2/UART3_TXD/IC1
9	P1.1/LCD_DH1/UART3_RXD/UART1_TXD/IC2
10	VLCD
11	P5.5/UART2_RXD/PWM0_CH0/X32_IN/STADC
12	P5.4/UART2_TXD/PWM0_CH1/X32_OUT
13	P5.3/UART0_TXD/I2C0_SCL/XT1_IN
14	P5.2/UART0_RXD/I2C0_SDA/XT1_OUT
15	P0.7/LCD_SEG1/UART0_TXD/I2C1_SCL/PWM3_CH0/INT1
16	P0.6/LCD_SEG0/UART0_RXD/I2C1_SDA/PWM3_CH1/INT0
17	P0.5/UART0_TXD/I2C0_SCL/TK6/PWM0_CH0
18	P0.4/UART0_RXD/I2C0_SDA/TK5/PWM0_CH1
19	P0.3/SPI0_SS/SPI1_SS/UART1_TXD/I2C1_SCL/TK4/STADC/PWM0_CH2/CLKO
20	P0.2/SPI0_CLK/SPI1_CLK/UART1_RXD/I2C1_SDA/TK3/PWM0_CH3
21	P0.1/SPI0_MISO/SPI1_MISO/UART2_RXD/UART0_TXD/TK2/PWM0_CH4
22	P0.0/SPI0_MOSI/SPI1_MOSI/UART2_TXD/UART0_RXD/TK1/PWM0_CH5
23	P5.6/TK0/PWM0_BRAKE/PWM0_CH1/CLKO
24	nRESET
25	P5.0/UART1_TXD/I2C1_SCL/UART0_TXD/ICE_DAT
26	P5.1/UART1_RXD/I2C1_SDA/UART0_RXD/ICE_CLK
27	P4.5/LCD_SEG31/LCD_COM4/UART2_TXD/I2C1_SCL/PWM1_CH0
28	P4.4/LCD_SEG30/LCD_COM5/UART2_RXD/I2C1_SDA/TK12/PWM1_CH1
29	P4.3/LCD_SEG29/LCD_COM6/TK13/PWM2_CH0
30	P4.2/LCD_SEG28/LCD_COM7/TK14/PWM2_CH1
31	P4.1/LCD_SEG27/LCD_COM2/UART2_TXD/I2C0_SCL/PWM3_CH0/ACMP0_O
32	P4.0/LCD_SEG26/LCD_COM3/UART2_RXD/I2C0_SDA/PWM3_CH1/ACMP1_O/INT1
33	P1.4/LCD_SEG21/I2C1_SCL/LCD_COM4
34	P1.5/LCD_SEG20/I2C1_SDA/LCD_COM5
35	P1.6/LCD_SEG19/UART0_TXD/LCD_COM6
36	P1.7/LCD_SEG18/UART0_RXD/LCD_COM7
37	VSS
38	P4.6/LCD_SEG17/PWM0_CH0/T0/CLKO/INT0
39	VDD

Pin	ML56LD1AE/ML56LC1AE Pin Function
40	P4.7/LCD_SEG16/LCD_COM0/T1
41	P3.3/LCD_SEG15/SPI1_SS/LCD_COM1/PWM1_CH0/IC0/PWM0_BRAKE
42	P3.2/ADC_CH7/ACMP1_N1/LCD_SEG14/SPI1_CLK/UART3_RXD/PWM1_CH1/IC1/CLKO
43	P3.1/ADC_CH6/ACMP0_P3/ACMP1_P3/LCD_SEG13/SPI1_MISO/UART3_TXD/UART0_TXD/PWM2_CH0/IC2
44	P3.0/ADC_CH10/LCD_SEG12/SPI1_MOSI/UART0_RXD/PWM2_CH1/IC0
45	V _{REF}
46	AVSS
47	P2.7/ADC_CH15/LCD_SEG7/UART1_TXD/PWM3_CH0/ACMP0_O
48	P2.6/LCD_SEG6/UART1_RXD/PWM3_CH1/ACMP1_O

4.1.2.3 LQFP44 Package

ML54MD1AE Pin Function

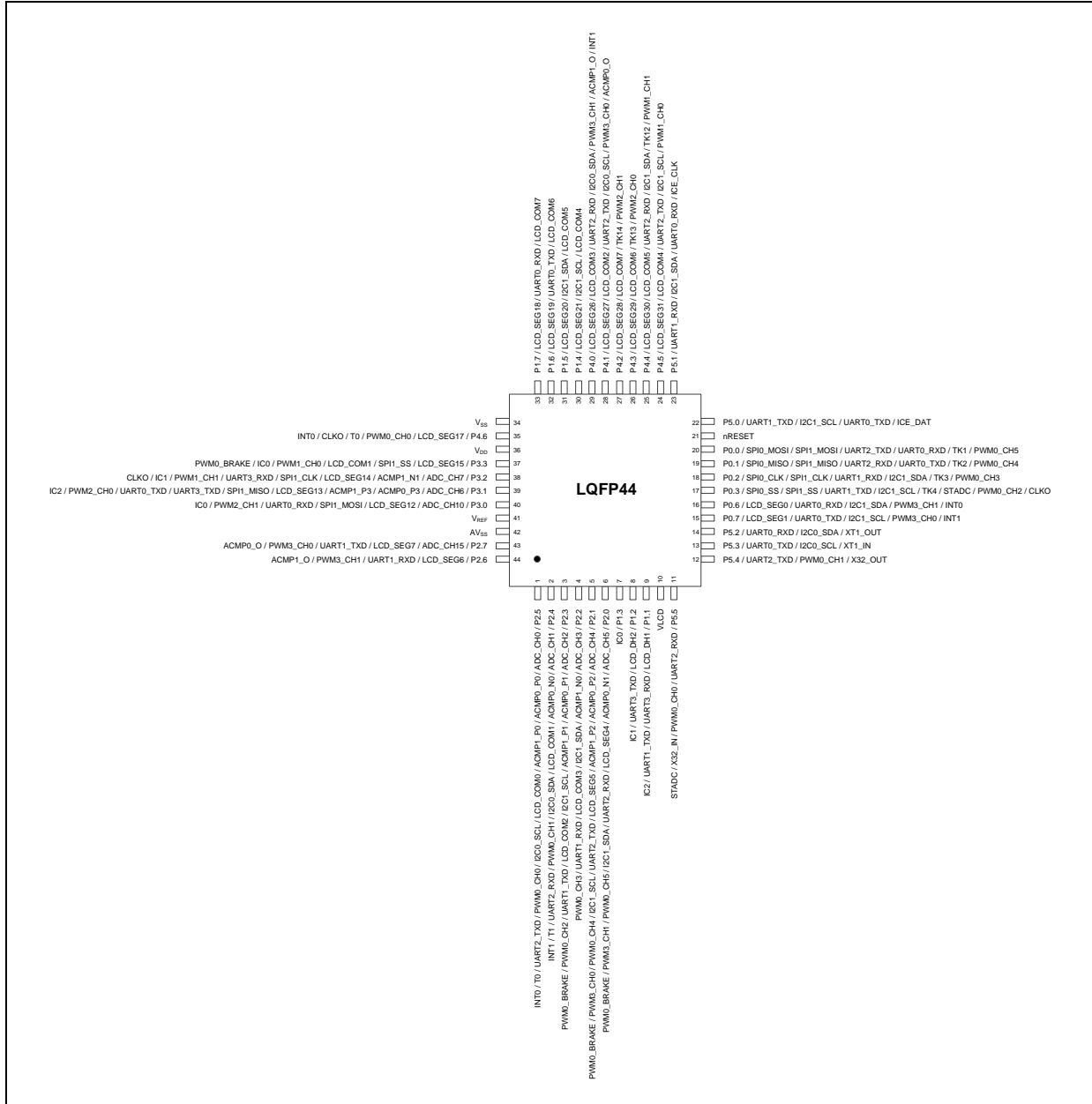


Figure 4.1-21 ML54MD1AE Multi-Function Pin assignment

Pin	ML54MD1AE Pin Function
1	P2.5 / ADC_CH0 / ACMP0_P0 / ACMP1_P0 / LCD_COM0 / I2C0_SCL / PWM0_CH0 / UART2_TXD / T0 / INT0
2	P2.4 / ADC_CH1 / ACMP0_N0 / LCD_COM1 / I2C0_SDA / PWM0_CH1 / UART2_RXD / T1 / INT1
3	P2.3 / ADC_CH2 / ACMP0_P1 / ACMP1_P1 / I2C1_SCL / LCD_COM2 / UART1_TXD / PWM0_CH2 / PWM0_BRAKE

Pin	ML54MD1AE Pin Function
4	P2.2 / ADC_CH3 / ACMP1_N0 / I2C1_SDA / LCD_COM3 / UART1_RXD / PWM0_CH3
5	P2.1 / ADC_CH4 / ACMP0_P2 / ACMP1_P2 / LCD_SEG5 / UART2_TXD / I2C1_SCL / PWM0_CH4 / PWM3_CH0 / PWM0_BRAKE
6	P2.0 / ADC_CH5 / ACMP0_N1 / LCD_SEG4 / UART2_RXD / I2C1_SDA / PWM0_CH5 / PWM3_CH1 / PWM0_BRAKE
7	P1.3 / IC0
8	P1.2 / LCD_DH2 / UART3_TXD / IC1
9	P1.1 / LCD_DH1 / UART3_RXD / UART1_TXD / IC2
10	VLCD
11	P5.5 / UART2_RXD / PWM0_CH0 / X32_IN / STADC
12	P5.4 / UART2_TXD / PWM0_CH1 / X32_OUT
13	P5.3 / UART0_TXD / I2C0_SCL / XT1_IN
14	P5.2 / UART0_RXD / I2C0_SDA / XT1_OUT
15	P0.7 / LCD_SEG1 / UART0_TXD / I2C1_SCL / PWM3_CH0 / INT1
16	P0.6 / LCD_SEG0 / UART0_RXD / I2C1_SDA / PWM3_CH1 / INT0
17	P0.3 / SPI0_SS / SPI1_SS / UART1_TXD / I2C1_SCL / STADC / PWM0_CH2 / CLKO
18	P0.2 / SPI0_CLK / SPI1_CLK / UART1_RXD / I2C1_SDA / PWM0_CH3
19	P0.1 / SPI0_MISO / SPI1_MISO / UART2_RXD / UART0_TXD / PWM0_CH4
20	P0.0 / SPI0_MOSI / SPI1_MOSI / UART2_TXD / UART0_RXD / PWM0_CH5
21	nRESET
22	P5.0 / UART1_TXD / I2C1_SCL / UART0_TXD / ICE_DAT
23	P5.1 / UART1_RXD / I2C1_SDA / UART0_RXD / ICE_CLK
24	P4.5 / LCD_SEG31 / LCD_COM4 / UART2_TXD / I2C1_SCL / PWM1_CH0
25	P4.4 / LCD_SEG30 / LCD_COM5 / UART2_RXD / I2C1_SDA / PWM1_CH1
26	P4.3 / LCD_SEG29 / LCD_COM6 / PWM2_CH0
27	P4.2 / LCD_SEG28 / LCD_COM7 / PWM2_CH1
28	P4.1 / LCD_SEG27 / LCD_COM2 / UART2_TXD / I2C0_SCL / PWM3_CH0 / ACMP0_O
29	P4.0 / LCD_SEG26 / LCD_COM3 / UART2_RXD / I2C0_SDA / PWM3_CH1 / ACMP1_O / INT1
30	P1.4 / LCD_SEG21 / I2C1_SCL / LCD_COM4
31	P1.5 / LCD_SEG20 / I2C1_SDA / LCD_COM5
32	P1.6 / LCD_SEG19 / UART0_TXD / LCD_COM6
33	P1.7 / LCD_SEG18 / UART0_RXD / LCD_COM7
34	V _{SS}

Pin	ML54MD1AE Pin Function
35	P4.6 / LCD_SEG17 / PWM0_CH0 / T0 / CLKO / INT0
36	V _{DD}
37	P3.3 / LCD_SEG15 / SPI1_SS / LCD_COM1 / PWM1_CH0 / IC0 / PWM0_BRAKE
38	P3.2 / ADC_CH7 / ACMP1_N1 / LCD_SEG14 / SPI1_CLK / UART3_RXD / PWM1_CH1 / IC1 / CLKO
39	P3.1 / ADC_CH6 / ACMP0_P3 / ACMP1_P3 / LCD_SEG13 / SPI1_MISO / UART3_TXD / UART0_TXD / PWM2_CH0 / IC2
40	P3.0 / ADC_CH10 / LCD_SEG12 / SPI1_MOSI / UART0_RXD / PWM2_CH1 / IC0
41	V _{REF}
42	AV _{SS}
43	P2.7 / ADC_CH15 / LCD_SEG7 / UART1_TXD / PWM3_CH0 / ACMP0_O
44	P2.6 / LCD_SEG6 / UART1_RXD / PWM3_CH1 / ACMP1_O

ML56MD1AE Pin Function

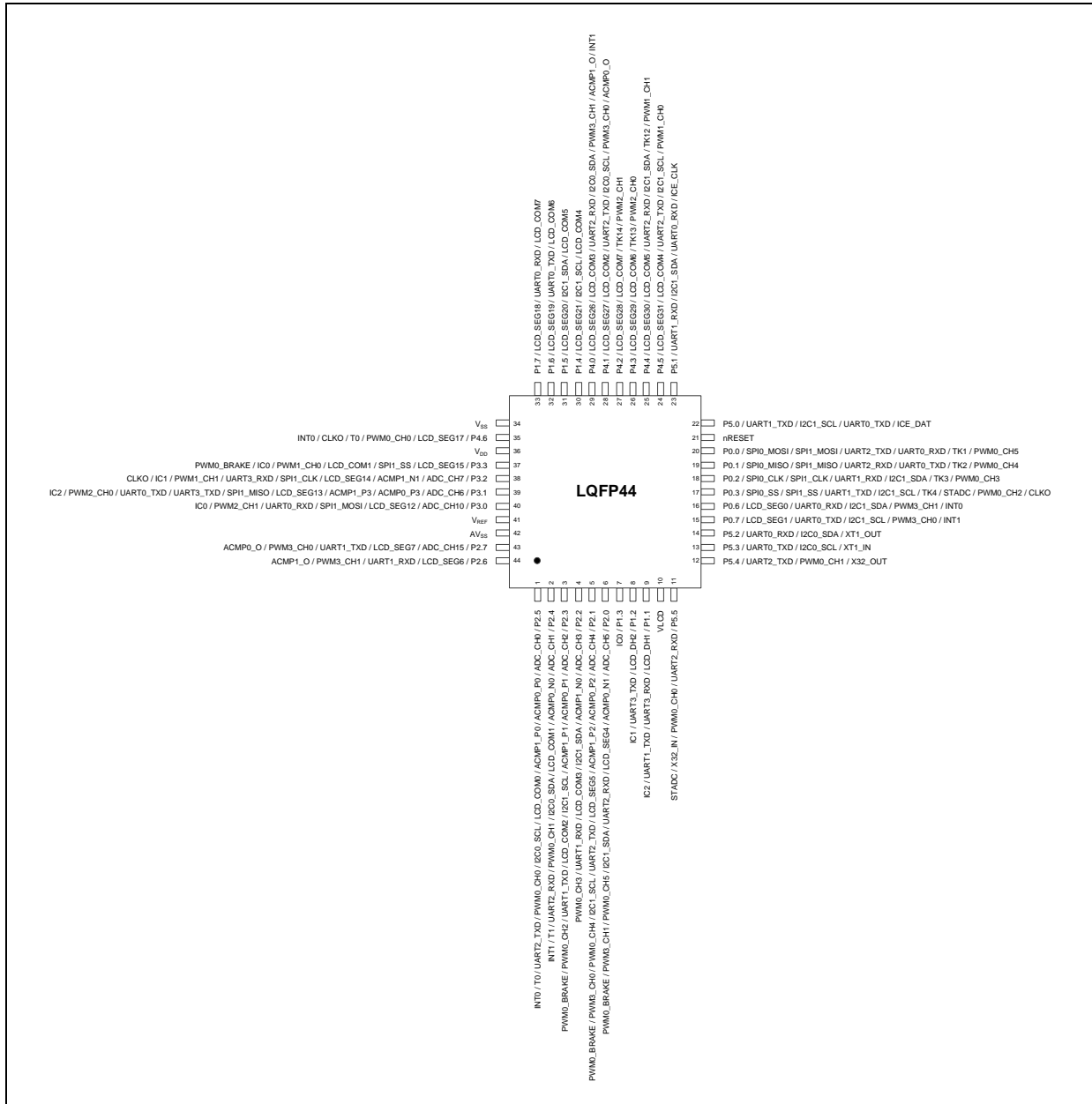


Figure 4.1-22 ML56MD1AE Multi-Function Pin assignment

Pin	ML56MD1AE Pin Function
1	P2.5/ADC_CH0/ACMP0_P0/ACMP1_P0/LCD_COM0/I2C0_SCL/PWM0_CH0/UART2_TXD/T0/INT0
2	P2.4/ADC_CH1/ACMP0_N0/LCD_COM1/I2C0_SDA/PWM0_CH1/UART2_RXD/T1/INT1
3	P2.3/ADC_CH2/ACMP0_P1/ACMP1_P1/I2C1_SCL/LCD_COM2/UART1_TXD/PWM0_CH2/PWM0_BRAKE
4	P2.2/ADC_CH3/ACMP1_N0/I2C1_SDA/LCD_COM3/UART1_RXD/PWM0_CH3
5	P2.1/ADC_CH4/ACMP0_P2/ACMP1_P2/LCD_SEG5/UART2_TXD/I2C1_SCL/PWM0_CH4/PWM3_CH0/PWM0_BRAKE

Pin	ML56MD1AE Pin Function
6	P2.0/ADC_CH5/ACMP0_N1/LCD_SEG4/UART2_RXD/I2C1_SDA/PWM0_CH5/PWM3_CH1/PWM0_BRAKE
7	P1.3/IC0
8	P1.2/LCD_DH2/UART3_TXD/IC1
9	P1.1/LCD_DH1/UART3_RXD/UART1_TXD/IC2
10	VLCD
11	P5.5/UART2_RXD/PWM0_CH0/X32_IN/STADC
12	P5.4/UART2_TXD/PWM0_CH1/X32_OUT
13	P5.3/UART0_TXD/I2C0_SCL/XT1_IN
14	P5.2/UART0_RXD/I2C0_SDA/XT1_OUT
15	P0.7/LCD_SEG1/UART0_TXD/I2C1_SCL/PWM3_CH0/INT1
16	P0.6/LCD_SEG0/UART0_RXD/I2C1_SDA/PWM3_CH1/INT0
17	P0.3/SPI0_SS/SPI1_SS/UART1_TXD/I2C1_SCL/TK4/STADC/PWM0_CH2/CLKO
18	P0.2/SPI0_CLK/SPI1_CLK/UART1_RXD/I2C1_SDA/TK3/PWM0_CH3
19	P0.1/SPI0_MISO/SPI1_MISO/UART2_RXD/UART0_TXD/TK2/PWM0_CH4
20	P0.0/SPI0_MOSI/SPI1_MOSI/UART2_TXD/UART0_RXD/TK1/PWM0_CH5
21	nRESET
22	P5.0/UART1_TXD/I2C1_SCL/UART0_TXD/ICE_DAT
23	P5.1/UART1_RXD/I2C1_SDA/UART0_RXD/ICE_CLK
24	P4.5/LCD_SEG31/LCD_COM4/UART2_TXD/I2C1_SCL/PWM1_CH0
25	P4.4/LCD_SEG30/LCD_COM5/UART2_RXD/I2C1_SDA/TK12/PWM1_CH1
26	P4.3/LCD_SEG29/LCD_COM6/TK13/PWM2_CH0
27	P4.2/LCD_SEG28/LCD_COM7/TK14/PWM2_CH1
28	P4.1/LCD_SEG27/LCD_COM2/UART2_TXD/I2C0_SCL/PWM3_CH0/ACMP0_O
29	P4.0/LCD_SEG26/LCD_COM3/UART2_RXD/I2C0_SDA/PWM3_CH1/ACMP1_O/INT1
30	P1.4/LCD_SEG21/I2C1_SCL/LCD_COM4
31	P1.5/LCD_SEG20/I2C1_SDA/LCD_COM5
32	P1.6/LCD_SEG19/UART0_TXD/LCD_COM6
33	P1.7/LCD_SEG18/UART0_RXD/LCD_COM7
34	VSS
35	P4.6/LCD_SEG17/PWM0_CH0/T0/CLKO/INT0
36	VDD
37	P3.3/LCD_SEG15/SPI1_SS/LCD_COM1/PWM1_CH0/IC0/PWM0_BRAKE
38	P3.2/ADC_CH7/ACMP1_N1/LCD_SEG14/SPI1_CLK/UART3_RXD/PWM1_CH1/IC1/CLKO
39	P3.1/ADC_CH6/ACMP0_P3/ACMP1_P3/LCD_SEG13/SPI1_MISO/UART3_TXD/UART0_TXD/PWM2_CH0/IC2

Pin	ML56MD1AE Pin Function
40	P3.0/ADC_CH10/LCD_SEG12/SPI1_MOSI/UART0_RXD/PWM2_CH1/IC0
41	V _{REF}
42	AVSS
43	P2.7/ADC_CH15/LCD_SEG7/UART1_TXD/PWM3_CH0/ACMP0_O
44	P2.6/LCD_SEG6/UART1_RXD/PWM3_CH1/ACMP1_O

4.1.2.4 QFN33 Package

ML51TD1AE Pin Function

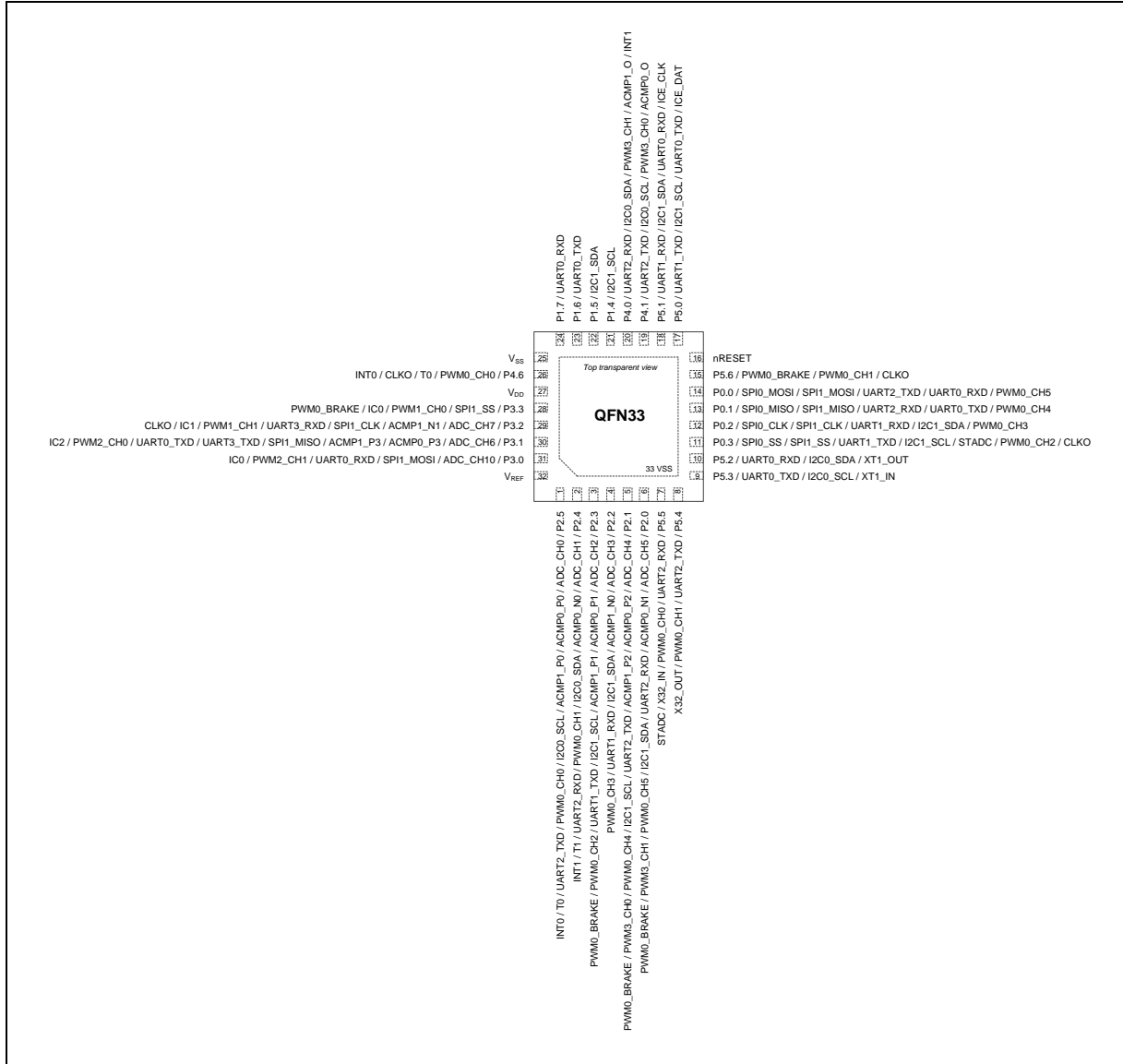


Figure 4.1-23 ML51TD1AE Multi-Function Pin assignment

Pin	ML56TD1AE Pin Function
1	P2.5/ADC_CH0/ACMP0_P0/ACMP1_P0/LCD_COM0/I2C0_SCL/PWM0_CH0/UART2_TXD/T0/INT0
2	P2.4/ADC_CH1/ACMP0_N0/LCD_COM1/I2C0_SDA/PWM0_CH1/UART2_RXD/T1/INT1
3	P2.3/ADC_CH2/ACMP0_P1/ACMP1_P1/I2C1_SCL/LCD_COM2/UART1_TXD/PWM0_CH2/PWM0_BRAKE
4	P2.2/ADC_CH3/ACMP1_N0/I2C1_SDA/LCD_COM3/UART1_RXD/PWM0_CH3
5	P2.1/ADC_CH4/ACMP0_P2/ACMP1_P2/LCD_SEG5/UART2_TXD/I2C1_SCL/PWM0_CH4/PWM3_CH0/PWM0_BRAKE
6	P2.0/ADC_CH5/ACMP0_N1/LCD_SEG4/UART2_RXD/I2C1_SDA/PWM0_CH5/PWM3_CH1/PWM0_BRAKE

Pin	ML56TD1AE Pin Function
7	P5.5/UART2_RXD/PWM0_CH0/X32_IN/STADC
8	P5.4/UART2_TXD/PWM0_CH1/X32_OUT
9	P5.3/UART0_TXD/I2C0_SCL/XT1_IN
10	P5.2/UART0_RXD/I2C0_SDA/XT1_OUT
11	P0.3/SPI0_SS/SPI1_SS/UART1_TXD/I2C1_SCL/TK4/STADC/PWM0_CH2/CLKO
12	P0.2/SPI0_CLK/SPI1_CLK/UART1_RXD/I2C1_SDA/TK3/PWM0_CH3
13	P0.1/SPI0_MISO/SPI1_MISO/UART2_RXD/UART0_TXD/TK2/PWM0_CH4
14	P0.0/SPI0_MOSI/SPI1_MOSI/UART2_TXD/UART0_RXD/TK1/PWM0_CH5
15	P5.6/TK0/PWM0_BRAKE/PWM0_CH1/CLKO
16	nRESET
17	P5.0/UART1_TXD/I2C1_SCL/UART0_TXD/ICE_DAT
18	P5.1/UART1_RXD/I2C1_SDA/UART0_RXD/ICE_CLK
19	P4.1/LCD_SEG27/LCD_COM2/UART2_TXD/I2C0_SCL/PWM3_CH0/ACMP0_O
20	P4.0/LCD_SEG26/LCD_COM3/UART2_RXD/I2C0_SDA/PWM3_CH1/ACMP1_O/INT1
21	P1.4/LCD_SEG21/I2C1_SCL/LCD_COM4
22	P1.5/LCD_SEG20/I2C1_SDA/LCD_COM5
23	P1.6/LCD_SEG19/UART0_TXD/LCD_COM6
24	P1.7/LCD_SEG18/UART0_RXD/LCD_COM7
25	VSS
26	P4.6/LCD_SEG17/PWM0_CH0/T0/CLKO/INT0
27	VDD
28	P3.3/LCD_SEG15/SPI1_SS/LCD_COM1/PWM1_CH0/IC0/PWM0_BRAKE
29	P3.2/ADC_CH7/ACMP1_N1/LCD_SEG14/SPI1_CLK/UART3_RXD/PWM1_CH1/IC1/CLKO
30	P3.1/ADC_CH6/ACMP0_P3/ACMP1_P3/LCD_SEG13/SPI1_MISO/UART3_TXD/UART0_TXD/PWM2_CH0/IC2
31	P3.0/ADC_CH10/LCD_SEG12/SPI1_MOSI/UART0_RXD/PWM2_CH1/IC0
32	V _{REF}
33	VSS

ML51TC0AE / ML51TB9AE Pin Function

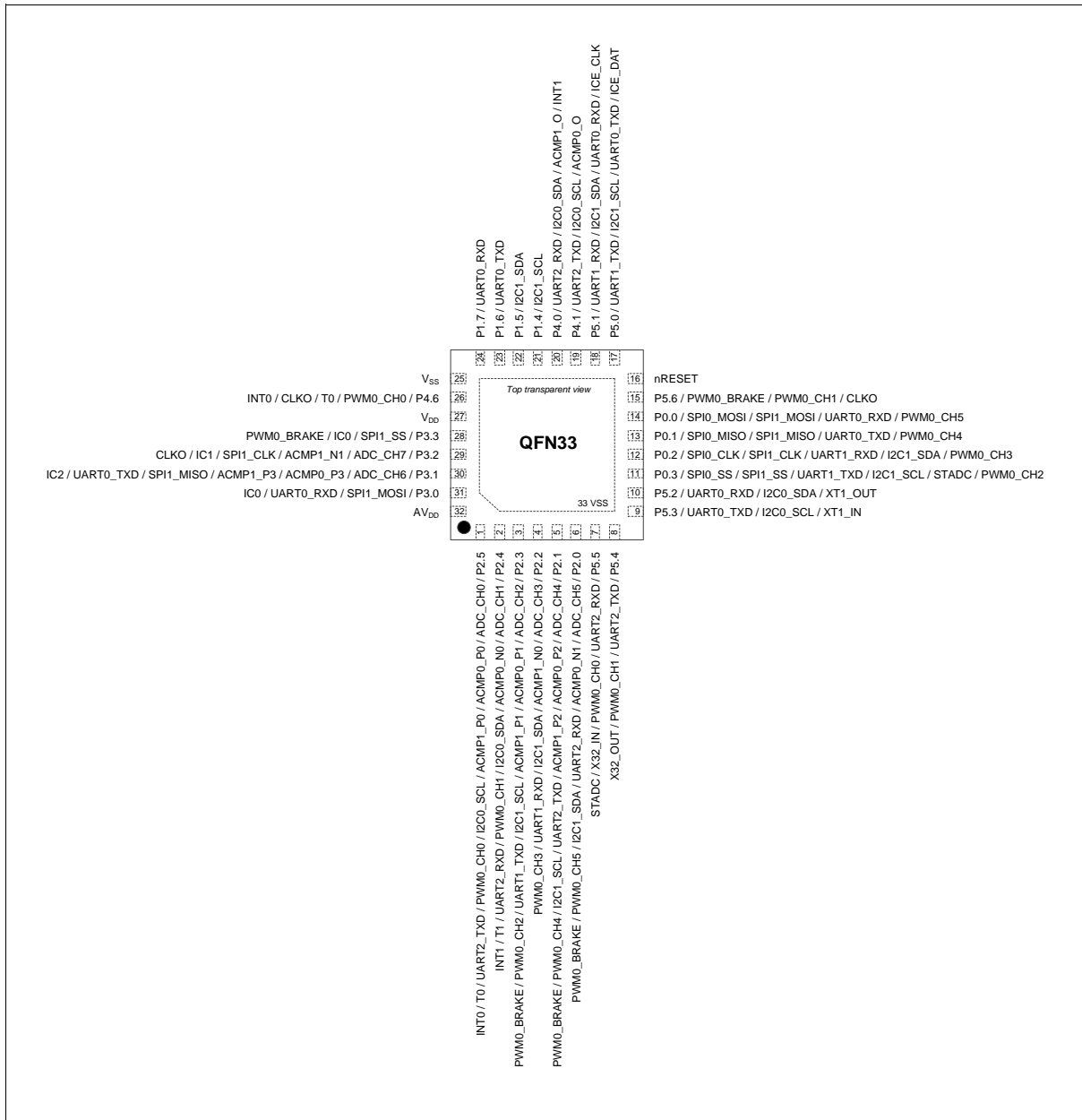


Figure 4.1-24 ML51TC0AE / ML51TB9AE Multi-Function Pin Assignment

Pin	ML51TC0AE / ML51TB9AE Pin Function
1	P2.5 / ADC_CH0 / ACMP0_P0 / ACMP1_P0 / I2C0_SCL / PWM0_CH0 / UART2_TXD / T0 / INT0
2	P2.4 / ADC_CH1 / ACMP0_N0 / I2C0_SDA / PWM0_CH1 / UART2_RXD / T1 / INT1
3	P2.3 / ADC_CH2 / ACMP0_P1 / ACMP1_P1 / I2C1_SCL / UART1_TXD / PWM0_CH2 / PWM0_BRAKE
4	P2.2 / ADC_CH3 / ACMP1_N0 / I2C1_SDA / UART1_RXD / PWM0_CH3
5	P2.1 / ADC_CH4 / ACMP0_P2 / ACMP1_P2 / UART2_TXD / I2C1_SCL / PWM0_CH4 / PWM0_BRAKE

Pin	ML51TC0AE / ML51TB9AE Pin Function
6	P2.0 / ADC_CH5 / ACMP0_N1 / UART2_RXD / I2C1_SDA / PWM0_CH5 / PWM0_BRAKE
7	P5.5 / UART2_RXD / PWM0_CH0 / X32_IN / STADC
8	P5.4 / UART2_TXD / PWM0_CH1 / X32_OUT
9	P5.3 / UART0_TXD / I2C0_SCL / XT1_IN
10	P5.2 / UART0_RXD / I2C0_SDA / XT1_OUT
11	P0.3 / SPI0_SS / SPI1_SS / UART1_TXD / I2C1_SCL / STADC / PWM0_CH2
12	P0.2 / SPI0_CLK / SPI1_CLK / UART1_RXD / I2C1_SDA / PWM0_CH3
13	P0.1 / SPI0_MISO / SPI1_MISO / UART0_TXD / PWM0_CH4
14	P0.0 / SPI0_MOSI / SPI1_MOSI / UART0_RXD / PWM0_CH5
15	P5.6 / PWM0_BRAKE / PWM0_CH1 / CLKO
16	nRESET
17	P5.0 / UART1_TXD / I2C1_SCL / UART0_TXD / ICE_DAT
18	P5.1 / UART1_RXD / I2C1_SDA / UART0_RXD / ICE_CLK
19	P4.1 / UART2_TXD / I2C0_SCL / ACMP0_O
20	P4.0 / UART2_RXD / I2C0_SDA / ACMP1_O / INT1
21	P1.4 / I2C1_SCL
22	P1.5 / I2C1_SDA
23	P1.6 / UART0_TXD
24	P1.7 / UART0_RXD
25	V _{SS}
26	P4.6 / PWM0_CH0 / T0 / CLKO / INT0
27	V _{DD}
28	P3.3 / SPI1_SS / IC0 / PWM0_BRAKE
29	P3.2 / ADC_CH7 / ACMP1_N1 / SPI1_CLK / IC1 / CLKO
30	P3.1 / ADC_CH6 / ACMP0_P3 / ACMP1_P3 / SPI1_MISO / UART0_TXD / IC2
31	P3.0 / SPI1_MOSI / UART0_RXD / IC0
32	AV _{DD}
33	VSS

4.1.2.5 LQFP32 Package

ML51PC0AE / ML51PB9AE Pin Function

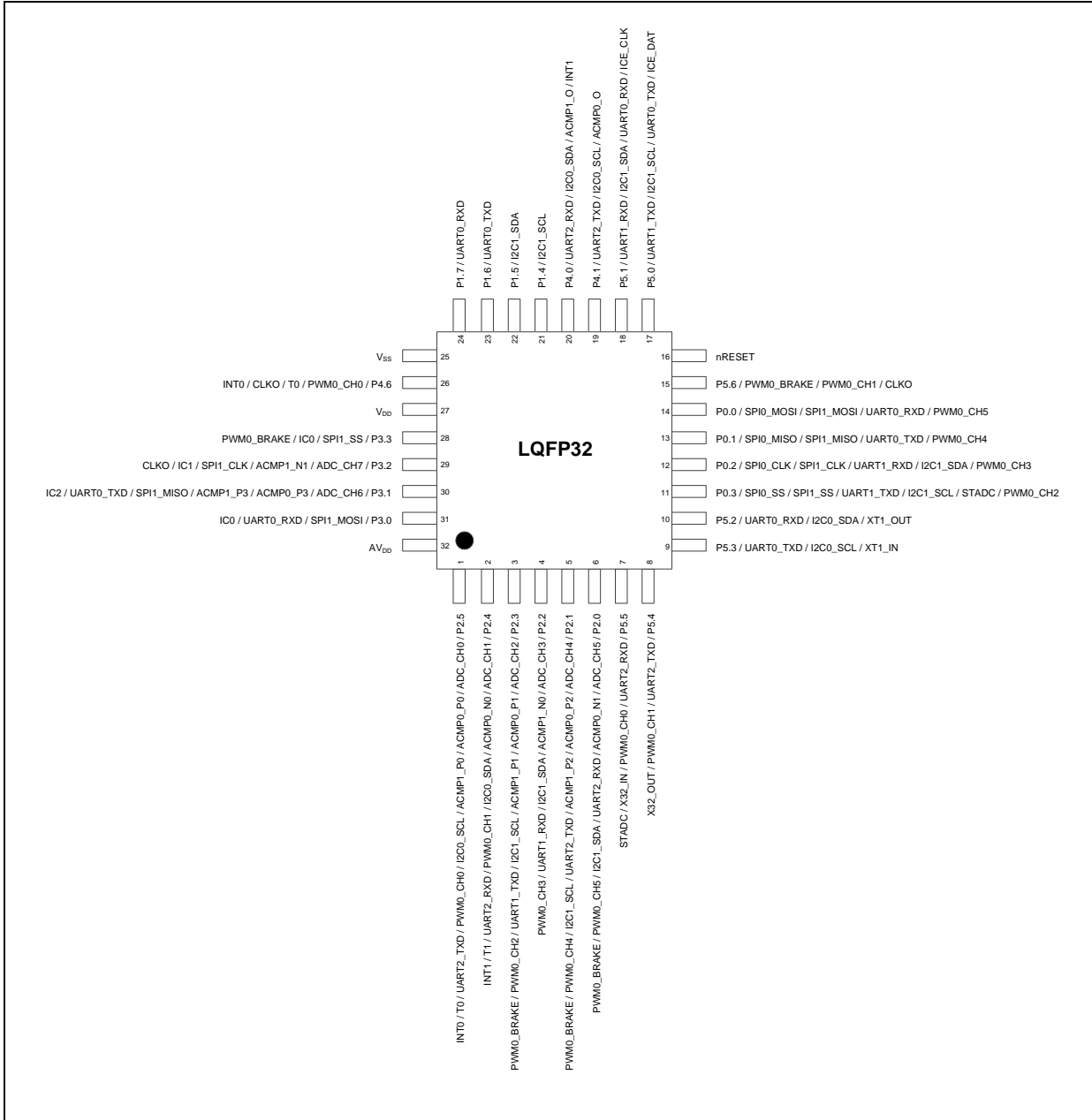


Figure 4.1-25 ML51PC0AE / ML51PB9AE Multi-Function Pin Assignment

Pin	ML51PC0AE Pin Function
1	P2.5 / ADC_CH0 / ACMP0_P0 / ACMP1_P0 / I2C0_SCL / PWM0_CH0 / UART2_TXD / T0 / INT0
2	P2.4 / ADC_CH1 / ACMP0_N0 / I2C0_SDA / PWM0_CH1 / UART2_RXD / T1 / INT1
3	P2.3 / ADC_CH2 / ACMP0_P1 / ACMP1_P1 / I2C1_SCL / UART1_TXD / PWM0_CH2 / PWM0_BRAKE
4	P2.2 / ADC_CH3 / ACMP1_N0 / I2C1_SDA / UART1_RXD / PWM0_CH3

Pin	ML51PC0AE Pin Function
5	P2.1 / ADC_CH4 / ACMP0_P2 / ACMP1_P2 / UART2_TXD / I2C1_SCL / PWM0_CH4 / PWM0_BRAKE
6	P2.0 / ADC_CH5 / ACMP0_N1 / UART2_RXD / I2C1_SDA / PWM0_CH5 / PWM0_BRAKE
7	P5.5 / UART2_RXD / PWM0_CH0 / X32_IN / STADC
8	P5.4 / UART2_TXD / PWM0_CH1 / X32_OUT
9	P5.3 / UART0_TXD / I2C0_SCL / XT1_IN
10	P5.2 / UART0_RXD / I2C0_SDA / XT1_OUT
11	P0.3 / SPI0_SS / SPI1_SS / UART1_TXD / I2C1_SCL / STADC / PWM0_CH2
12	P0.2 / SPI0_CLK / SPI1_CLK / UART1_RXD / I2C1_SDA / PWM0_CH3
13	P0.1 / SPI0_MISO / SPI1_MISO / UART0_TXD / PWM0_CH4
14	P0.0 / SPI0_MOSI / SPI1_MOSI / UART0_RXD / PWM0_CH5
15	P5.6 / PWM0_BRAKE / PWM0_CH1 / CLKO
16	nRESET
17	P5.0 / UART1_TXD / I2C1_SCL / UART0_TXD / ICE_DAT
18	P5.1 / UART1_RXD / I2C1_SDA / UART0_RXD / ICE_CLK
19	P4.1 / UART2_TXD / I2C0_SCL / ACMP0_O
20	P4.0 / UART2_RXD / I2C0_SDA / ACMP1_O / INT1
21	P1.4 / I2C1_SCL
22	P1.5 / I2C1_SDA
23	P1.6 / UART0_TXD
24	P1.7 / UART0_RXD
25	V _{SS}
26	P4.6 / PWM0_CH0 / T0 / CLKO / INT0
27	V _{DD}
28	P3.3 / SPI1_SS / IC0 / PWM0_BRAKE
29	P3.2 / ADC_CH7 / ACMP1_N1 / SPI1_CLK / IC1 / CLKO
30	P3.1 / ADC_CH6 / ACMP0_P3 / ACMP1_P3 / SPI1_MISO / UART0_TXD / IC2
31	P3.0 / SPI1_MOSI / UART0_RXD / IC0
32	AV _{DD}

4.1.2.6 TSSOP28 Package

ML51EC0AE / ML51EB9AE Pin Function

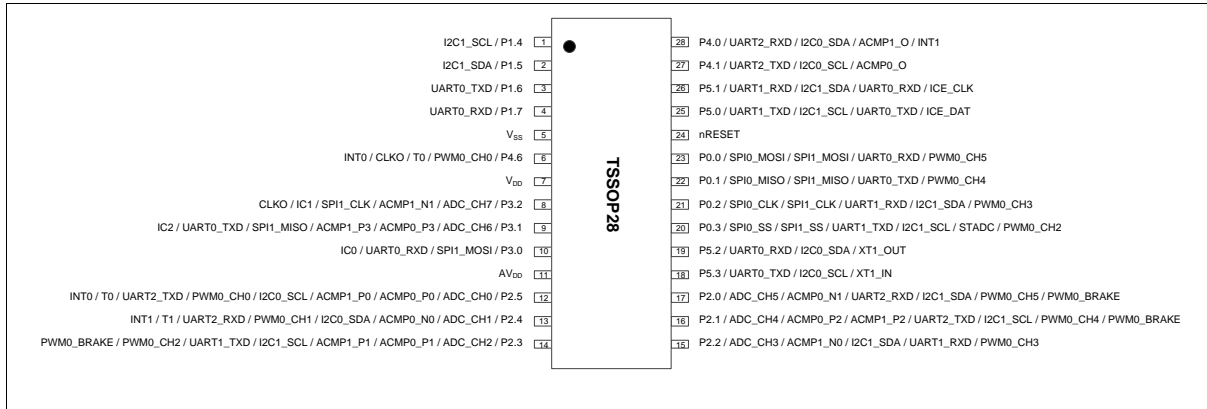


Figure 4.1-26 ML51EC0AE / ML51EB9AE Multi-Function Pin Assignment

Pin	ML51EC0AE / ML51EB9AE Pin Function
1	P1.4 / I2C1_SCL
2	P1.5 / I2C1_SDA
3	P1.6 / UART0_TXD
4	P1.7 / UART0_RXD
5	V _{SS}
6	P4.6 / PWM0_CH0 / T0 / CLK0 / INTO
7	V _{DD}
8	P3.2 / ADC_CH7 / ACMP1_N1 / SPI1_CLK / IC1 / CLK0
9	P3.1 / ADC_CH6 / ACMP0_P3 / ACMP1_P3 / SPI1_MISO / UART0_TXD / IC2
10	P3.0 / SPI1_MOSI / UART0_RXD / IC0
11	AV _{DD}
12	P2.5 / ADC_CH0 / ACMP0_P0 / ACMP1_P0 / I2C0_SCL / PWM0_CH0 / UART2_TXD / T0 / INTO
13	P2.4 / ADC_CH1 / ACMP0_N0 / I2C0_SDA / PWM0_CH1 / UART2_RXD / T1 / INT1
14	P2.3 / ADC_CH2 / ACMP0_P1 / ACMP1_P1 / I2C1_SCL / UART1_TXD / PWM0_CH2 / PWM0_BRAKE
15	P2.2 / ADC_CH3 / ACMP1_N0 / I2C1_SDA / UART1_RXD / PWM0_CH3
16	P2.1 / ADC_CH4 / ACMP0_P2 / ACMP1_P2 / UART2_TXD / I2C1_SCL / PWM0_CH4 / PWM0_BRAKE
17	P2.0 / ADC_CH5 / ACMP0_N1 / UART2_RXD / I2C1_SDA / PWM0_CH5 / PWM0_BRAKE
18	P5.3 / UART0_TXD / I2C0_SCL / XT1_IN
19	P5.2 / UART0_RXD / I2C0_SDA / XT1_OUT
20	P0.3 / SPI0_SS / SPI1_SS / UART1_TXD / I2C1_SCL / STADC / PWM0_CH2
21	P0.2 / SPI0_CLK / SPI1_CLK / UART1_RXD / I2C1_SDA / PWM0_CH3

Pin	ML51EC0AE / ML51EB9AE Pin Function
22	P0.1 / SPI0_MISO / SPI1_MISO / UART0_TXD / PWM0_CH4
23	P0.0 / SPI0_MOSI / SPI1_MOSI / UART0_RXD / PWM0_CH5
24	nRESET
25	P5.0 / UART1_TXD / I2C1_SCL / UART0_TXD / ICE_DAT
26	P5.1 / UART1_RXD / I2C1_SDA / UART0_RXD / ICE_CLK
27	P4.1 / UART2_TXD / I2C0_SCL / ACMP0_O
28	P4.0 / UART2_RXD / I2C0_SDA / ACMP1_O / INT1

4.1.2.7 SOP28 Package

Corresponding Part Number: ML51UC0AE / ML51UB9AE

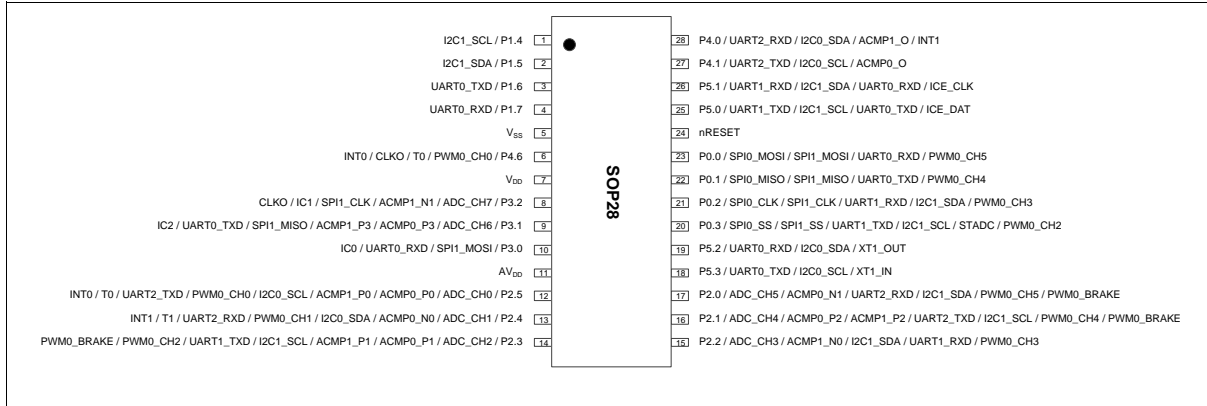


Figure 4.1-27 ML51UC0AE / ML51UB9AE Multi Function Pin Assignment

ML51UC0AE / ML51UB9AE Pin Function

Pin	ML51UC0AE / ML51UB9AE Pin Function
1	P1.4 / I2C1_SCL
2	P1.5 / I2C1_SDA
3	P1.6 / UART0_TXD
4	P1.7 / UART0_RXD
5	V _{SS}
6	P4.6 / PWM0_CH0 / T0 / CLK0 / INT0
7	V _{DD}
8	P3.2 / ADC_CH7 / ACMP1_N1 / SPI1_CLK / IC1 / CLK0
9	P3.1 / ADC_CH6 / ACMP0_P3 / ACMP1_P3 / SPI1_MISO / UART0_TXD / IC2
10	P3.0 / SPI1_MOSI / UART0_RXD / IC0
11	AV _{DD}
12	P2.5 / ADC_CH0 / ACMP0_P0 / ACMP1_P0 / I2C0_SCL / PWM0_CH0 / UART2_TXD / T0 / INT0
13	P2.4 / ADC_CH1 / ACMP0_N0 / I2C0_SDA / PWM0_CH1 / UART2_RXD / T1 / INT1
14	P2.3 / ADC_CH2 / ACMP0_P1 / ACMP1_P1 / I2C1_SCL / UART1_TXD / PWM0_CH2 / PWM0_BRAKE
15	P2.2 / ADC_CH3 / ACMP1_N0 / I2C1_SDA / UART1_RXD / PWM0_CH3
16	P2.1 / ADC_CH4 / ACMP0_P2 / ACMP1_P2 / UART2_TXD / I2C1_SCL / PWM0_CH4 / PWM0_BRAKE
17	P2.0 / ADC_CH5 / ACMP0_N1 / UART2_RXD / I2C1_SDA / PWM0_CH5 / PWM0_BRAKE
18	P5.3 / UART0_TXD / I2C0_SCL / XT1_IN
19	P5.2 / UART0_RXD / I2C0_SDA / XT1_OUT
20	P0.3 / SPI0_SS / SPI1_SS / UART1_TXD / I2C1_SCL / STADC / PWM0_CH2

Pin	ML51UC0AE / ML51UB9AE Pin Function
21	P0.2 / SPI0_CLK / SPI1_CLK / UART1_RXD / I2C1_SDA / PWM0_CH3
22	P0.1 / SPI0_MISO / SPI1_MISO / UART0_TXD / PWM0_CH4
23	P0.0 / SPI0_MOSI / SPI1_MOSI / UART0_RXD / PWM0_CH5
24	nRESET
25	P5.0 / UART1_TXD / I2C1_SCL / UART0_TXD / ICE_DAT
26	P5.1 / UART1_RXD / I2C1_SDA / UART0_RXD / ICE_CLK
27	P4.1 / UART2_TXD / I2C0_SCL / ACMP0_O
28	P4.0 / UART2_RXD / I2C0_SDA / ACMP1_O / INT1

4.1.2.8 TSSOP20 Package

ML51FB9AE Pin Function

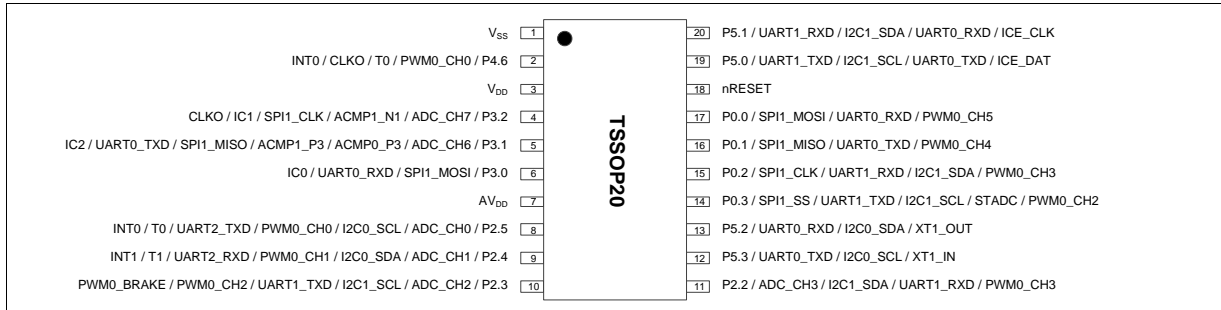


Figure 4.1-28 ML51FB9AE Multi Function Pin Assignment

Pin	ML51FB9AE Pin Function
1	V _{SS}
2	P4.6 / PWM0_CH0 / T0 / CLKO / INT0
3	V _{DD}
4	P3.2 / ADC_CH7 / ACMP1_N1 / SPI1_CLK / IC1 / CLKO
5	P3.1 / ADC_CH6 / ACMP0_P3 / ACMP1_P3 / SPI1_MISO / UART0_TXD / IC2
6	P3.0 / SPI1_MOSI / UART0_RXD / IC0
7	AV _{DD}
8	P2.5 / ADC_CH0 / I2C0_SCL / PWM0_CH0 / UART2_TXD / T0 / INT0
9	P2.4 / ADC_CH1 / I2C0_SDA / PWM0_CH1 / UART2_RXD / T1 / INT1
10	P2.3 / ADC_CH2 / I2C1_SCL / UART1_TXD / PWM0_CH2 / PWM0_BRAKE
11	P2.2 / ADC_CH3 / I2C1_SDA / UART1_RXD / PWM0_CH3
12	P5.3 / UART0_TXD / I2C0_SCL / XT1_IN
13	P5.2 / UART0_RXD / I2C0_SDA / XT1_OUT
14	P0.3 / SPI1_SS / UART1_TXD / I2C1_SCL / STADC / PWM0_CH2
15	P0.2 / SPI1_CLK / UART1_RXD / I2C1_SDA / PWM0_CH3
16	P0.1 / SPI1_MISO / UART0_TXD / PWM0_CH4
17	P0.0 / SPI1_MOSI / UART0_RXD / PWM0_CH5
18	nRESET
19	P5.0 / UART1_TXD / I2C1_SCL / UART0_TXD / ICE_DAT
20	P5.1 / UART1_RXD / I2C1_SDA / UART0_RXD / ICE_CLK

4.1.2.9 SOP20 Package

ML51OB9AE Pin Function

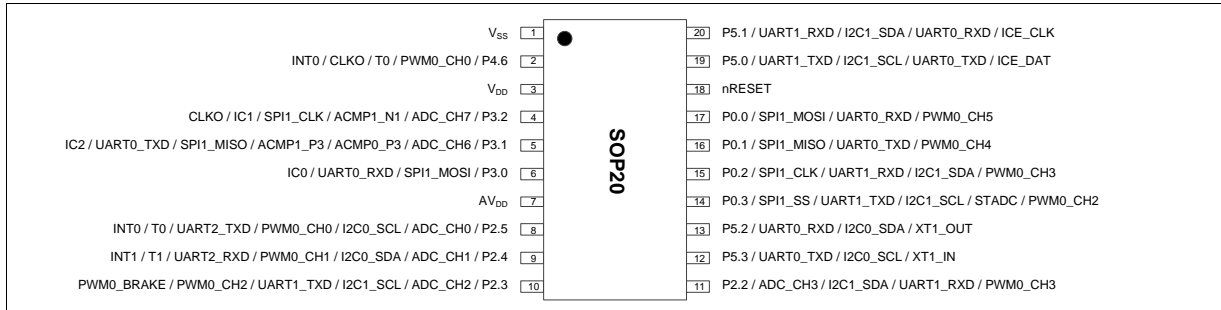


Figure 4.1-29 ML51OB9AE Multi Function Pin Assignment

Pin	ML51OB9AE Pin Function
1	V _{SS}
2	P4.6 / PWM0_CH0 / T0 / CLK0 / INT0
3	V _{DD}
4	P3.2 / ADC_CH7 / ACMP1_N1 / SPI1_CLK / IC1 / CLK0
5	P3.1 / ADC_CH6 / ACMP0_P3 / ACMP1_P3 / SPI1_MISO / UART0_TXD / IC2
6	P3.0 / SPI1_MOSI / UART0_RXD / IC0
7	AV _{DD}
8	P2.5 / ADC_CH0 / I2C0_SCL / PWM0_CH0 / UART2_TXD / T0 / INT0
9	P2.4 / ADC_CH1 / I2C0_SDA / PWM0_CH1 / UART2_RXD / T1 / INT1
10	P2.3 / ADC_CH2 / I2C1_SCL / UART1_TXD / PWM0_CH2 / PWM0_BRAKE
11	P2.2 / ADC_CH3 / I2C1_SDA / UART1_RXD / PWM0_CH3
12	P5.3 / UART0_TXD / I2C0_SCL / XT1_IN
13	P5.2 / UART0_RXD / I2C0_SDA / XT1_OUT
14	P0.3 / SPI1_SS / UART1_TXD / I2C1_SCL / STADC / PWM0_CH2
15	P0.2 / SPI1_CLK / UART1_RXD / I2C1_SDA / PWM0_CH3
16	P0.1 / SPI1_MISO / UART0_TXD / PWM0_CH4
17	P0.0 / SPI1_MOSI / UART0_RXD / PWM0_CH5
18	nRESET
19	P5.0 / UART1_TXD / I2C1_SCL / UART0_TXD / ICE_DAT
20	P5.1 / UART1_RXD / I2C1_SDA / UART0_RXD / ICE_CLK

4.1.2.10 QFN20 Package

ML51XB9AE Pin Function

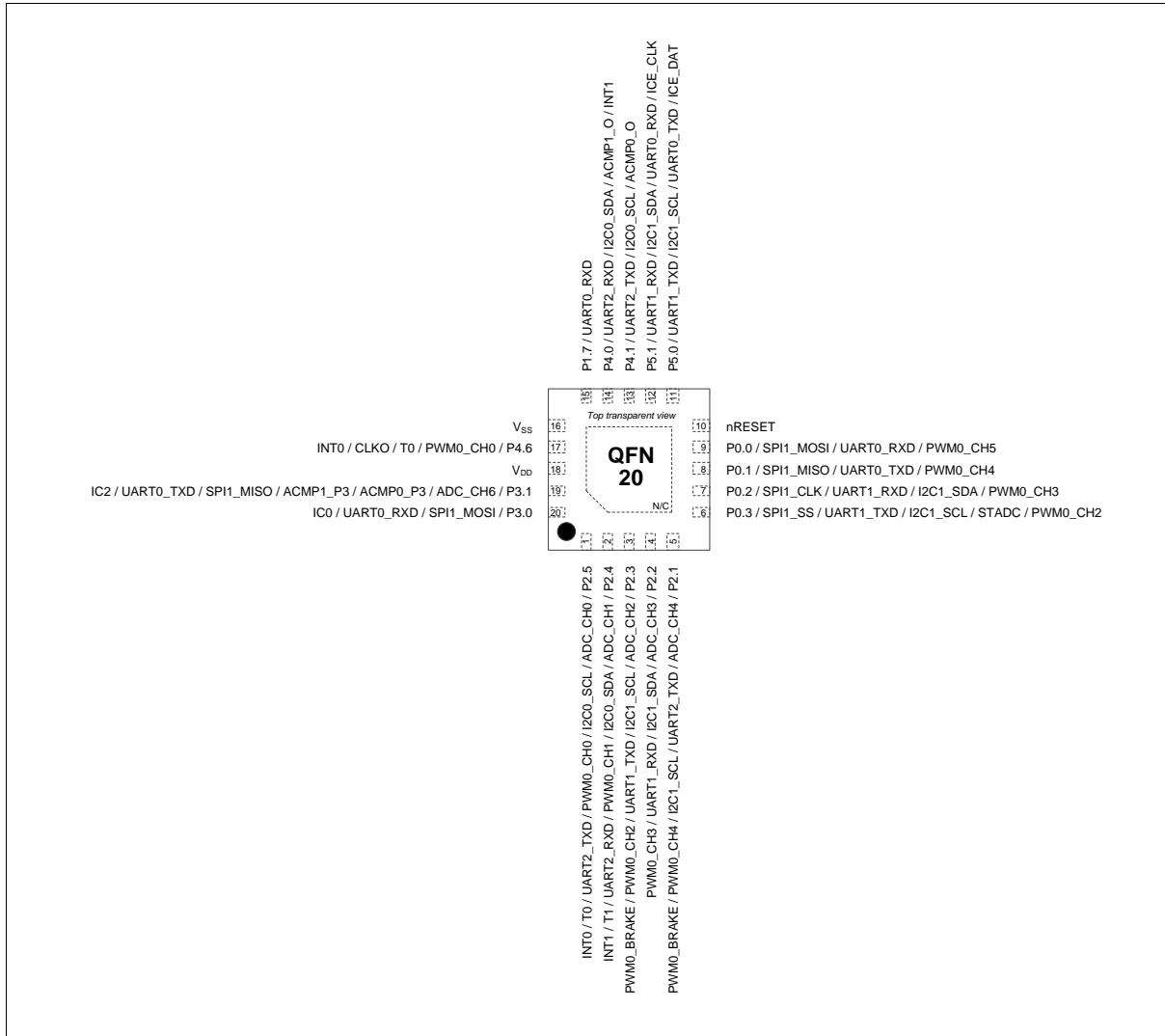


Figure 4.1-30 ML51XB9AE Multi Function Pin Assignment

Pin	ML51XB9AE Pin Function
1	P2.5 / ADC_CH0 / I2C0_SCL / PWM0_CH0 / UART2_TXD / T0 / INT0
2	P2.4 / ADC_CH1 / I2C0_SDA / PWM0_CH1 / UART2_RXD / T1 / INT1
3	P2.3 / ADC_CH2 / I2C1_SCL / UART1_TXD / PWM0_CH2 / PWM0_BRAKE
4	P2.2 / ADC_CH3 / I2C1_SDA / UART1_RXD / PWM0_CH3
5	P2.1 / ADC_CH4 / UART2_TXD / I2C1_SCL / PWM0_CH4 / PWM0_BRAKE
6	P0.3 / SPI1_SS / UART1_TXD / I2C1_SCL / STADC / PWM0_CH2
7	P0.2 / SPI1_CLK / UART1_RXD / I2C1_SDA / PWM0_CH3
8	P0.1 / SPI1_MISO / UART0_TXD / PWM0_CH4

Pin	ML51XB9AE Pin Function
9	P0.0 / SPI1_MOSI / UART0_RXD / PWM0_CH5
10	nRESET
11	P5.0 / UART1_TXD / I2C1_SCL / UART0_TXD / ICE_DAT
12	P5.1 / UART1_RXD / I2C1_SDA / UART0_RXD / ICE_CLK
13	P4.1 / UART2_TXD / I2C0_SCL / ACMP0_O
14	P4.0 / UART2_RXD / I2C0_SDA / ACMP1_O / INT1
15	P1.7 / UART0_RXD
16	V _{SS}
17	P4.6 / PWM0_CH0 / T0 / CLKO / INT0
18	V _{DD}
19	P3.1 / ADC_CH6 / ACMP0_P3 / ACMP1_P3 / SPI1_MISO / UART0_TXD / IC2
20	P3.0 / SPI1_MOSI / UART0_RXD / IC0

4.1.2.11 TSSOP14 Package

ML51DB9AE Pin Function

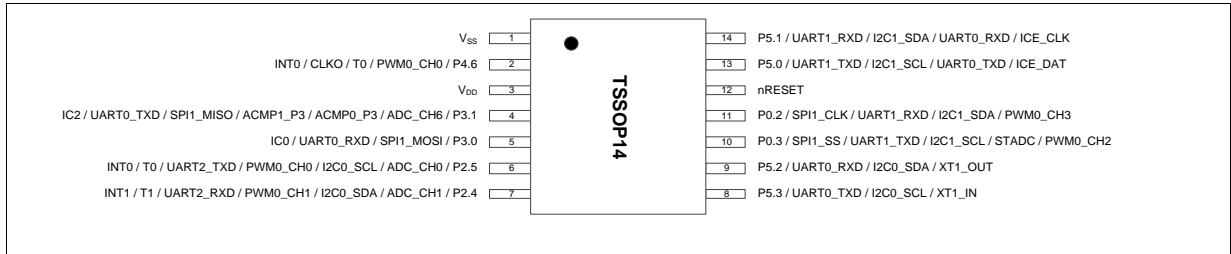


Figure 4.1-31 ML51DB9AE Multi Function Pin Assignment

Pin	ML51DB9AE Pin Function
1	V _{SS}
2	P4.6 / PWM0_CH0 / T0 / CLKO / INT0
3	V _{DD}
4	P3.1 / ADC_CH6 / ACMP0_P3 / ACMP1_P3 / SPI1_MISO / UART0_TXD / IC2
5	P3.0 / SPI1_MOSI / UART0_RXD / IC0
6	P2.5 / ADC_CH0 / I2C0_SCL / PWM0_CH0 / UART2_TXD / T0 / INT0
7	P2.4 / ADC_CH1 / I2C0_SDA / PWM0_CH1 / UART2_RXD / T1 / INT1
8	P5.3 / UART0_TXD / I2C0_SCL / XT1_IN
9	P5.2 / UART0_RXD / I2C0_SDA / XT1_OUT
10	P0.3 / SPI1_SS / UART1_TXD / I2C1_SCL / STADC / PWM0_CH2
11	P0.2 / SPI1_CLK / UART1_RXD / I2C1_SDA / PWM0_CH3
12	nRESET
13	P5.0 / UART1_TXD / I2C1_SCL / UART0_TXD / ICE_DAT
14	P5.1 / UART1_RXD / I2C1_SDA / UART0_RXD / ICE_CLK

4.1.2.12 MSOP10 Package

ML51BB9AE Pin Function

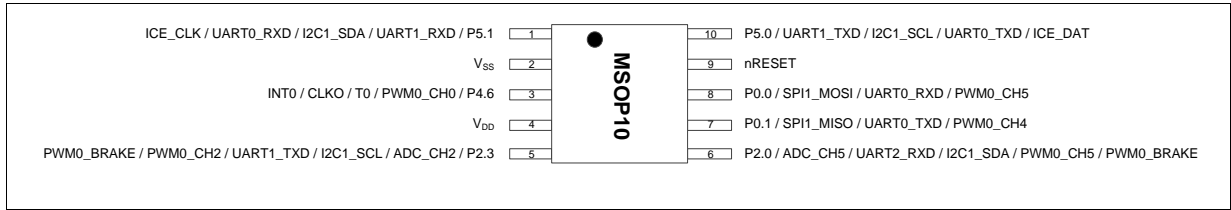


Figure 4.1-32 ML51BB9AE Pin Assignment

Pin	ML51BB9AE Pin Function
1	P5.1 / UART1_RXD / I2C1_SDA / UART0_RXD / ICE_CLK
2	V _{SS}
3	P4.6 / PWM0_CH0 / T0 / CLKO / INT0
4	V _{DD}
5	P2.3 / ADC_CH2 / I2C1_SCL / UART1_TXD / PWM0_CH2 / PWM0_BRAKE
6	P2.0 / ADC_CH5 / UART2_RXD / I2C1_SDA / PWM0_CH5 / PWM0_BRAKE
7	P0.1 / SPI1_MISO / UART0_TXD / PWM0_CH4
8	P0.0 / SPI1_MOSI / UART0_RXD / PWM0_CH5
9	nRESET
10	P5.0 / UART1_TXD / I2C1_SCL / UART0_TXD / ICE_DAT

4.2 Pin Description

4.2.1 ML51/ML54/ML56 Series Pin Mapping

Pin Number	ML54/ML56			ML51							
	64	48	44	64	48	33/32	28	20	QFN20	14	10
P2.6	1	48	44	1	48						
P2.5	2	1	1	2	1	1	12	8	1	6	
P2.4	3	2	2	3	2	2	13	9	2	7	
P2.3	4	3	3	4	3	3	14	10	3		5
P2.2	5	4	4	5	4	4	15	11	4		
P2.1	6	5	5	6	5	5	16		5		
P2.0	7	6	6	7	6	6	17				6
P1.3	8	7	7	8	7						
P1.2	9	8	8	9	8						
P1.1	10	9	9	10	9						
P1.0	11			11	10						
VLCD	12	10	10								
P3.7				12							
P5.7	13			13							
P5.5	14	11	11	14	11	7					
P5.4	15	12	12	15	12	8					
P5.3	16	13	13	16	13	9	18	12		8	
P5.2	17	14	14	17	14	10	19	13		9	
P3.5	18			18							
P3.4	19			19							
P0.7	20	15	15	20	15						
P0.6	21	16	16	21	16						
VSS	22			22		33					
VDD	23			23							
P3.6	24			24							
P0.5	25	17		25	17						
P0.4	26	18		26	18						
P0.3	27	19	17	27	19	11	20	14	6	10	
P0.2	28	20	18	28	20	12	21	15	7	11	
P0.1	29	21	19	29	21	13	22	16	8		7
P0.0	30	22	20	30	22	14	23	17	9		8
P5.6	31	23		31	23	15					
nRESET	32	24	21	32	24	16	24	18	10	12	9

Pin Number	ML54/ML56			ML51							
	64	48	44	64	48	33/32	28	20	QFN20	14	10
P5.0	33	25	22	33	25	17	25	19	11	13	10
P5.1	34	26	23	34	26	18	26	20	12	14	1
P4.5	35	27	24	35	27						
P4.4	36	28	25	36	28						
P4.3	37	29	26	37	29						
P4.2	38	30	27	38	30						
P4.1	39	31	28	39	31	19	27		13		
P4.0	40	32	29	40	32	20	28		14		
P6.3	41			41							
P6.2	42			42							
P6.1	43			43							
P6.0	44			44							
P1.4	45	33	30	45	33	21	1				
P1.5	46	34	31	46	34	22	2				
P1.6	47	35	32	47	35	23	3				
P1.7	48	36	33	48	36	24	4		15		
VSS	49	37	34	49	37	25	5	1	16	1	2
P4.6	50	38	35	50	38	26	6	2	17	2	3
VDD	51	39	36	51	39	27	7	3	18	3	4
P4.7	52	40		52	40						
P3.3	53	41	37	53	41	28					
P3.2	54	42	38	54	42	29	8	4			
P3.1	55	43	39	55	43	30	9	5	19	4	
P3.0	56	44	40	56	44	31	10	6	20	5	
AVDD	57	39	36	57	39	27	7				
VREF	58	45	41	58	45	32	11	7			
AVSS	59	46	42	59	46				16		
P6.7	60			60							
P6.6	61			61							
P6.5	62			62							
P6.4	63			63							
P2.7	64	47	43	64	47						

4.2.2 ML51/ML54/ML56 Series Pin Functional Description

As default all GPIO type is defined as input mode. User should setting the GPIO Mode by PxMx register.

A: Analog suggest disable digial function O: output, I: input, I/O: bi-direction (Quasi)

Group	Pin Name	Type	Description
ACMP0	ACMP0_N0	A	Analog comparator 0 negative input 0 pin.
	ACMP0_N1		Analog comparator 0 negative input 1 pin.
	ACMP0_O	O	Analog comparator 0 output pin.
	ACMP0_P0	A	Analog comparator 0 positive input 0 pin.
	ACMP0_P1		Analog comparator 0 positive input 1 pin.
	ACMP0_P2		Analog comparator 0 positive input 2 pin.
	ACMP0_P3		Analog comparator 0 positive input 3 pin.
ACMP1	ACMP1_N0	A	Analog comparator 1 negative input 0 pin.
	ACMP1_N1		Analog comparator 1 negative input 1 pin.
	ACMP1_O	O	Analog comparator 1 output pin.
	ACMP1_P0	A	Analog comparator 1 positive input 0 pin.
	ACMP1_P1		Analog comparator 1 positive input 1 pin.
	ACMP1_P2		Analog comparator 1 positive input 2 pin.
	ACMP1_P3		Analog comparator 1 positive input 3 pin.
ADC	ADC_CH0	A	ADC_ channel analog input.
	ADC_CH1		ADC_ channel analog input.
	ADC_CH2		ADC_ channel analog input.
	ADC_CH3		ADC_ channel analog input.
	ADC_CH4		ADC_ channel analog input.
	ADC_CH5		ADC_ channel analog input.
	ADC_CH6		ADC_ channel analog input.
	ADC_CH7		ADC_ channel analog input.
	ADC_CH10		ADC_ channel analog input.
	ADC_CH11		ADC_ channel analog input.
	ADC_CH12		ADC_ channel analog input.
	ADC_CH13		ADC_ channel analog input.
	ADC_CH14		ADC_ channel analog input.
	ADC_CH15		ADC_ channel analog input.
	CLKO		CLKO
I2C0	I2C0_SCL	I/O	I2C0 clock pin.

Group	Pin Name	Type	Description
	I2C0_SDA	I/O	I2C0 data input/output pin.
I2C1	I2C1_SCL	I/O	I2C1 clock pin.
	I2C1_SDA	I/O	I2C1 data input/output pin.
IC0	IC0	I/O	Input Capture channel 0
IC1	IC1	I/O	Input Capture channel 1
IC2	IC2	I/O	Input Capture channel 2
ICE	ICE_CLK	I	Serial wired debugger clock pin. Note: It is recommended to use 100 kΩ pull-up resistor on ICE_CLK pin
	ICE_DAT	O	Serial wired debugger data pin. Note: It is recommended to use 100 kΩ pull-up resistor on ICE_DAT pin
INT0	INT0	I	External interrupt 0 input pin.
INT1	INT1	I	External interrupt 1 input pin.
LCD	LCD_COM0	O	LCD Common 0 output.
	LCD_COM1	O	LCD Common 1 output.
	LCD_COM2	O	LCD Common 2 output.
	LCD_COM3	O	LCD Common 3 output.
	LCD_COM4	O	LCD Common 4 output.
	LCD_COM5	O	LCD Common 5 output.
	LCD_COM6	O	LCD Common 6 output.
	LCD_COM7	O	LCD Common 7 output.
	LCD_DH1	O	LCD external capacitor pin of charge pump circuit.
	LCD_DH2	O	LCD external capacitor pin of charge pump circuit.
	LCD_SEG0	O	LCD segment 0 output
	LCD_SEG1	O	LCD segment 1 output
	LCD_SEG2	O	LCD segment 2 output
	LCD_SEG3	O	LCD segment 3 output
	LCD_SEG4	O	LCD segment 4 output
	LCD_SEG5	O	LCD segment 5 output
	LCD_SEG6	O	LCD segment 6 output
	LCD_SEG7	O	LCD segment 7 output
	LCD_SEG8	O	LCD segment 8 output
	LCD_SEG9	O	LCD segment 9 output
LCD_SEG10	O	LCD segment 10 output	
LCD_SEG11	O	LCD segment 11 output	

Group	Pin Name	Type	Description
	LCD_SEG12	O	LCD segment 12 output
	LCD_SEG13	O	LCD segment 13 output
	LCD_SEG14	O	LCD segment 14 output
	LCD_SEG15	O	LCD segment 15 output
	LCD_SEG16	O	LCD segment 16 output
	LCD_SEG17	O	LCD segment 17 output
	LCD_SEG18	O	LCD segment 18 output
	LCD_SEG19	O	LCD segment 19 output
	LCD_SEG20	O	LCD segment 20 output
	LCD_SEG21	O	LCD segment 21 output
	LCD_SEG22	O	LCD segment 22 output
	LCD_SEG23	O	LCD segment 23 output
	LCD_SEG24	O	LCD segment 24 output
	LCD_SEG25	O	LCD segment 25 output
	LCD_SEG26	O	LCD segment 26 output
	LCD_SEG27	O	LCD segment 27 output
	LCD_SEG28	O	LCD segment 28 output
	LCD_SEG29	O	LCD segment 29 output
	LCD_SEG30	O	LCD segment 30 output
	LCD_SEG31	O	LCD segment 31 output
	LCD_V1	I	Input pin of the 1 st most positive LCD level.
	LCD_V2	I	Input pin of the 2 nd most positive LCD level.
	LCD_V3	I	Input pin of the 3 rd most positive LCD level.
nRESET	nRESET	I	External reset input: active LOW, with an internal pull-up. Set this pin low reset to initial state. Note: It is recommended to use 10 kΩ pull-up resistor and 10 uF capacitor on nRESET pin.
PWM0	PWM0_BRAKE	I	PWM0 Brake input pin.
	PWM0_CH0	I/O	PWM0 channel 0 output/capture input.
	PWM0_CH1	I/O	PWM0 channel 1 output/capture input.
	PWM0_CH2	I/O	PWM0 channel 2 output/capture input.
	PWM0_CH3	I/O	PWM0 channel 3 output/capture input.
	PWM0_CH4	I/O	PWM0 channel 4 output/capture input.
	PWM0_CH5	I/O	PWM0 channel 5 output/capture input.
PWM1	PWM1_CH0	I/O	PWM1 channel 0 output/capture input.
	PWM1_CH1	I/O	PWM1 channel 1 output/capture input.

Group	Pin Name	Type	Description
PWM2	PWM2_CH0	I/O	PWM2 channel 0 output/capture input.
	PWM2_CH1	I/O	PWM2 channel 1 output/capture input.
PWM3	PWM3_CH0	I/O	PWM3 channel 0 output/capture input.
	PWM3_CH1	I/O	PWM3 channel 1 output/capture input.
SPI0	SPI0_CLK	I/O	SPI0 serial clock pin.
	SPI0_MISO	I/O	SPI0 MISO (Master In, Slave Out) pin.
	SPI0_MOSI	I/O	SPI0 MOSI (Master Out, Slave In) pin.
	SPI0_SS	I/O	SPI0 slave select pin.
SPI1	SPI1_CLK	I/O	SPI1 serial clock pin.
	SPI1_MISO	I/O	SPI1 MISO (Master In, Slave Out) pin.
	SPI1_MOSI	I/O	SPI1 MOSI (Master Out, Slave In) pin.
	SPI1_SS	I/O	SPI1 slave select pin.
STADC	STADC	I	ADC external trigger input.
T0	T0	I/O	External count input to Timer/Counter 0 or its toggle output.
T1	T1	I/O	External count input to Timer/Counter 1 or its toggle output.
TK	TK0	A	Touch Key 0.
	TK1	A	Touch Key 1.
	TK2	A	Touch Key 2.
	TK3	A	Touch Key 3.
	TK4	A	Touch Key 4.
	TK5	A	Touch Key 5.
	TK6	A	Touch Key 6.
	TK7	A	Touch Key 7.
	TK8	A	Touch Key 8.
	TK9	A	Touch Key 9.
	TK10	A	Touch Key 10.
	TK11	A	Touch Key 11.
	TK12	A	Touch Key 12.
	TK13	A	Touch Key 13.
TK14	A	Touch Key 14.	
UART0	UART0_RXD	I	UART0 data receiver input pin.
	UART0_TXD	O	UART0 data transmitter output pin.
UART1	UART1_RXD	I	UART1 data receiver input pin.
	UART1_TXD	O	UART1 data transmitter output pin.
UART2	UART2_RXD	I	UART2 data receiver input pin.

Group	Pin Name	Type	Description
	UART2_TXD	O	UART2 data transmitter output pin.
UART3	UART3_RXD	I	UART3 data receiver input pin.
	UART3_TXD	O	UART3 data transmitter output pin.
V _{REF}	VREF	A	ADC reference voltage input. Note: This pin needs to be connected with a 1uF capacitor when use internal voltage reference output.
X32	X32_IN	I	External 32.768 kHz crystal input pin.
	X32_OUT	O	External 32.768 kHz crystal output pin.
XT1	XT1_IN	I	External 4~24 MHz (high speed) crystal input pin.
	XT1_OUT	O	External 4~24 MHz (high speed) crystal output pin.

5 BLOCK DIAGRAM

5.1 ML51/ML54/ML56 Series Full Function Block

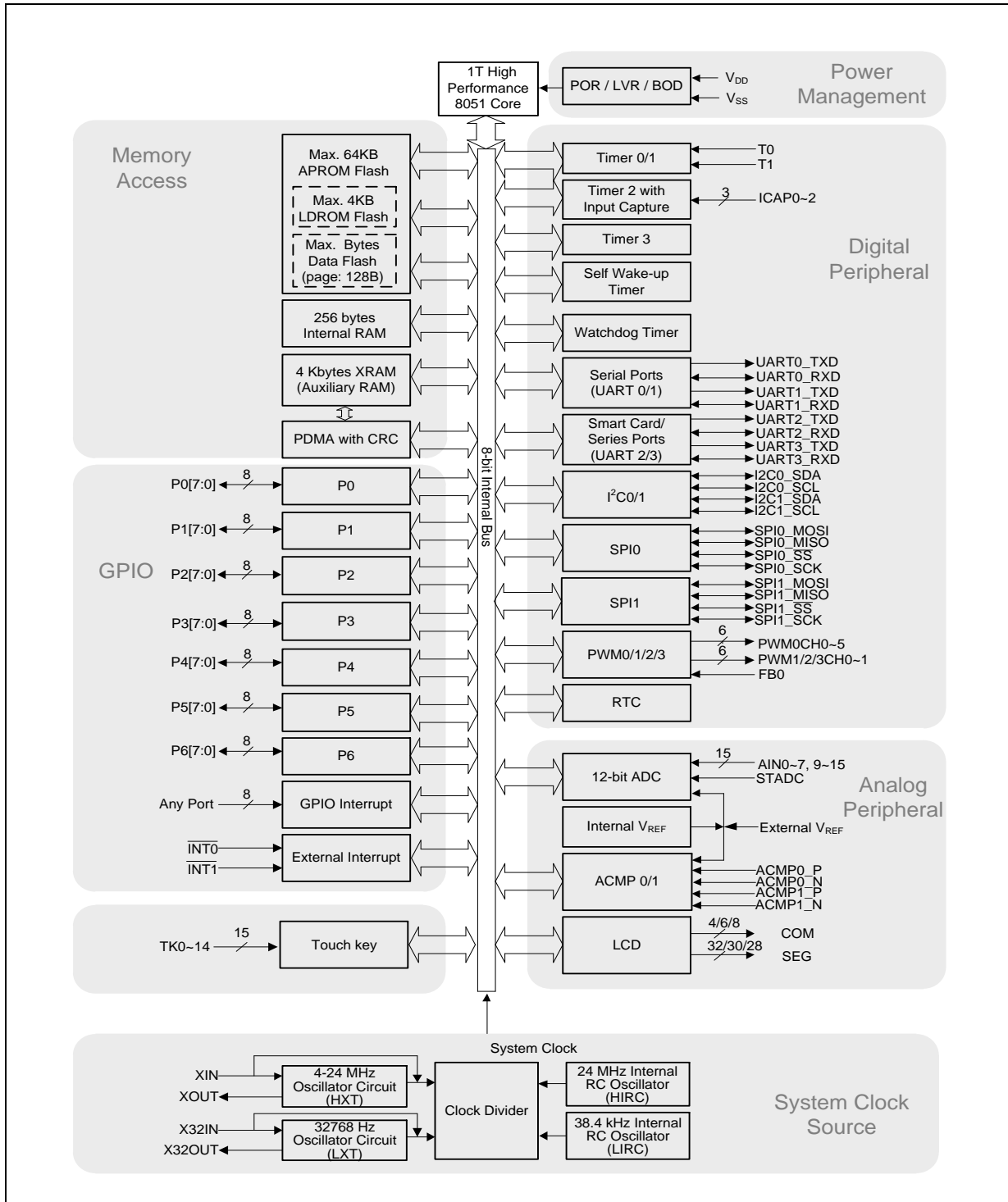


Figure 5.1-1 Functional Block Diagram

6 FUNCTIONAL DESCRIPTION

6.1 Memory Organization

A standard 80C51 based microcontroller divides the memory into two different sections, Program Memory and Data Memory. The Program Memory is used to store the instruction codes, whereas the Data Memory is used to store data or variations during the program execution.

The Data Memory occupies a separate address space from Program Memory. In ML51/ML54/ML56 Series, there are 256 bytes of internal scratch-pad RAM. For many applications those need more internal RAM, the ML51/ML54/ML56 Series provides another on-chip 4 Kbytes of RAM, which is called XRAM, accessed by MOVX instruction.

The whole embedded Flash, functioning as Program Memory, is divided into three blocks: Application ROM (APROM) normally for User Code, Loader ROM (LDROM) normally for Boot Code, and CONFIG bytes for hardware initialization. Actually, APROM and LDROM function in the same way but have different size. Each block is accumulated page by page and the page size is 128 bytes. The Flash control unit supports Erase, Program, and Read modes. The external writer tools though specific I/O pins, In-Application-Programming (IAP), or In-System-Programming (ISP) can both perform these modes.

6.2 System Manager

The ML51/ML54/ML56 Series has a wide variety of clock sources and selection features that allow it to be used in a wide range of applications while maximizing performance and minimizing power consumption. The ML51/ML54/ML56 Series provides five options of the system clock sources including internal oscillator, crystal/resonator, or external clock from X_{IN} pin via software. The ML51/ML54/ML56 Series is embedded with two internal oscillators: one 38.4 kHz low-speed and one 24 MHz high-speed, which is factory trimmed to ±2% under all conditions. A clock divider CKDIV is also available on ML51/ML54/ML56 Series for adjustment of the flexibility between power consumption and operating performance.

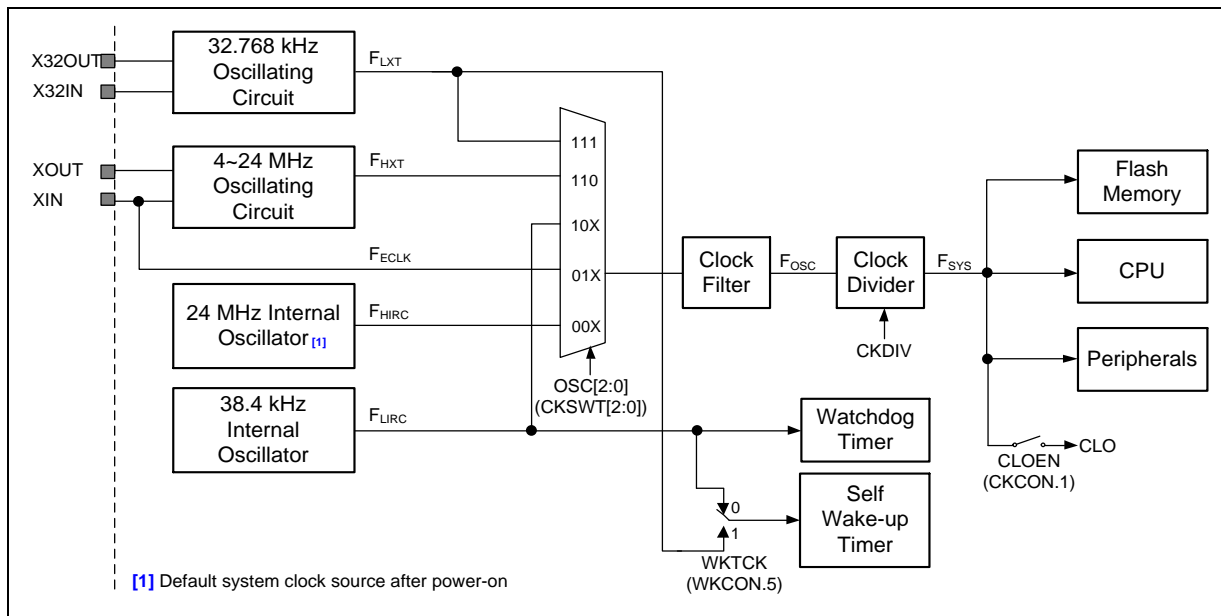


Figure 6.2-1 Clock System Block Diagram

6.3 Flash Memory Control

6.3.1 In-application-programming (IAP)

Unlike RAM's real-time operation, to update Flash data often takes long time. Furthermore, it is a quite complex timing procedure to erase, program, or read Flash data. The ML51/ML54/ML56 Series carried out the Flash operation with convenient mechanism to help user re-programming the Flash content by In-Application-Programming (IAP). IAP is an in-circuit electrical erasure and programming method through software.

After IAP enabling by setting IAPEN (CHPCON.0 with TA protected) and setting the enable bit in IAPUEN that allows the target block to be updated, user can easily fill the 16-bit target address in IAPAH and IAPAL, data in IAPFD, and command in IAPCN. Then the IAP is ready to begin by setting a triggering bit IAPGO (IAPTRG.0). Note that IAPTRG is also TA protected. At this moment, the CPU holds the Program Counter and the built-in IAP automation takes over to control the internal charge-pump for high voltage and the detail signal timing. The erase and program time is internally controlled disregard of the operating voltage and frequency. Nominally, a page-erase time is 5 ms and a byte-program time is 23.5 μ s. After IAP action completed, the Program Counter continues to run the following instructions. The IAPGO bit will be automatically cleared. An IAP failure flag, IAPFF (CHPCON.6), can be check whether the previous IAP operation was successful or not. Through this progress, user can easily erase, program, and verify the Flash Memory by just taking care of pure software.

6.3.2 In-Circuit-Programming (ICP)

The Flash Memory can be programmed by "In-Circuit-Programming" (ICP). If the product is just under development or the end product needs firmware updating in the hand of an end customer, the hardware programming mode will make repeated programming difficult and inconvenient. ICP method makes it easy and possible without removing the microcontroller from the system. ICP mode also allows customers to manufacture circuit boards with un-programmed devices. Programming can be done after the assembly process allowing the device to be programmed with the most recent firmware or a customized firmware.

There are three signal pins, \overline{RST} , ICPDA, and ICPCCK, involved in ICP function. \overline{RST} is used to enter or exit ICP mode. ICPDA is the data input and output pin. ICPCCK is the clock input pin, which synchronizes the data shifted in to or out from MCU under programming. User should leave these three pins plus V_{DD} and GND pins on the circuit board to make ICP possible.

Nuvoton provides ICP tool for ML51/ML54/ML56 Series, which enables user to easily perform ICP through Nuvoton ICP programmer. The ICP programmer developed by Nuvoton has been optimized according to the electric characteristics of MCU. It also satisfies the stability and efficiency during production progress. For more details, please visit Nuvoton 8-bit Microcontroller website: [Nuvoton 80C51 Microcontroller Technical Support](#).

6.3.3 On-Chip-Debugger (ICE)

The ML51/ML54/ML56 Series is embedded in an on-chip-debugger (OCD) providing developers with a low cost method for debugging user code, which is available on each package. The OCD gives debug capability of complete program flow control with eight hardware address breakpoints, single step, free running, and non-intrusive commands for memory access. The OCD system does not occupy any locations in the memory map and does not share any on-chip peripherals.

6.4 GPIO Port Structure and Operation

6.4.1 GPIO Mode

The ML51/ML54/ML56 Series has a maximum of 56 general purpose I/O pins which 40 bit-addressable general I/O pins grouped as 5 ports, P0 to P4, and 16 general I/O pins grouped as P5 and P6. Each port has its port control register (Px register). The writing and reading of a port control register have different meanings. A write to port control register sets the port output latch logic value, where as a read gets the port pin logic state. These four modes are quasi-bidirectional (standard 8051 port structure), push-pull, input-only, and open-drain modes. Each port spends two special function registers PxM1 and PxM2 to select the I/O mode of port Px. The list below illustrates how to select the I/O mode of Px.n. Note that the default configuration of is input-only (high-impedance) after any reset.

PnM1.X ^[1]	PnM2.X ^[1]	I/O Type
0	0	Quasi-bidirectional
0	1	Push-pull
1	0	Input-only (high-impedance)
1	1	Open-drain

Note: N = 0~5, x = 0~7

Table 6.4-1 Configuration for Different I/O Modes

All I/O pins can be selected as TTL level inputs or Schmitt triggered inputs by selecting corresponding bit in PxS register. Schmitt triggered input has better glitch suppression capability. All I/O pins also have bit-controllable, slew rate select ability via software. The Register Description are PxSR. By default, the slew rate is slow. If user would like to increase the I/O output speed, setting the corresponding bit in PxSR, the slew rate is selected in a faster level.

6.5 Timer

6.5.1 Overview

ML51/ML54/ML56 Series provides following 16-bit Timer. Two 16-bit Timers/Counters 0 and 1 compatible with standard 8051. One 16-bit Timer 2 with three-channel input capture module and 9 input pin can be selected. One 16-bit auto-reload Timer 3, which can be the baud rate clock source of UARTs.

6.6 Watchdog Timer (WDT)

The ML51/ML54/ML56 Series provides one Watchdog Timer (WDT). It can be configured as a time-out reset timer to reset whole device. Once the device runs in an abnormal status or hangs up by outward interference, a WDT reset recover the system. It provides a system monitor, which improves the reliability of the system. Therefore, WDT is especially useful for system that is susceptible to noise, power glitches, or electrostatic discharge. The WDT also can be configured as a general purpose timer, of which the periodic interrupt serves as an event timer or a durational system supervisor in a monitoring system, which is able to operate during Idle or Power-down mode. WDTEN[3:0] (CONFIG4[7:4]) initialize the WDT to operate as a time-out reset timer or a general purpose timer.

The Watchdog time-out interval is determined by the formula $\frac{1}{F_{LIRC} \times \text{clockdividerscalar}} \times 64$, where F_{LIRC} is the frequency of internal 38.4 kHz oscillator. The following table shows an example of the Watchdog time-out interval with different pre-scales.

WDPS.3	WDPS.2	WDPS.1	WDPS.0	Clock Divider Scale	WDT Time-Out Timing ^[1]
0	0	0	0	1/1	1.66 ms
0	0	0	1	1/4	6.64 ms
0	0	1	0	1/8	13.31 ms
0	0	1	1	1/16	26.62 ms
0	1	0	0	1/32	53.25 ms
0	1	0	1	1/64	106.66 ms
0	1	1	0	1/128	213.12 ms
0	1	1	1	1/256	426.64 ms
1	0	0	0	1/512	853.28ms
1	0	0	1	1/1024	1706.56ms
1	0	1	0	1/2048	3413.12ms
Others				1/2048	3413.12ms

Note: This is an approximate value since the deviation of LIRC.

Table 6.6-1 Watchdog Timer-out Interval Under Different Pre-scalars

Since the limitation of the maxima vaule of WDT timer delay. To wake up ML51/ML54/ML56 Series from idle mode or power down mode suggest use WKT function see Chapter 6.7 .

The WDT is implemented with a set of divider that divides the low-speed internal oscillator clock nominal 38.4 kHz. The divider output is selectable and determines the time-out interval. When the time-out interval is fulfilled, it will wake the system up from Idle or Power-down mode and an interrupt event will occur if WDT interrupt is enabled. If WDT is initialized as a time-out reset timer, a system reset will occur after a period of delay if without any software action.

6.7 Self Wake-up Timer (WKT)

6.7.1 Overview

The ML51/ML54/ML56 Series has a dedicated Self Wake-up Timer (WKT), which serves for a periodic wake-up timer in low power mode or for general purpose timer. WKT remains counting in Idle or Power-down mode. When WKT is being used as a wake-up timer, a start of WKT can occur just prior to entering a power management mode. WKT has two clock source, internal LIRC 38.4 kHz or LXT 32.768 kHz. Note that the system clock frequency must be twice over WKT clock. If WKT starts counting, the selected clock source will remain active once the device enters Idle or Power-down mode. Note that the selected clock source of WKT will not automatically enabled along with WKT configuration. User should manually enable the selected clock source and waiting for stability to ensure a proper operation.

The WKT is implemented simply as a 16-bit auto-reload, up-counting timer with pre-scale 1/1 to 1/2048 selected by WKPS[2:0] (WKCON[2:0]). User fills the reload value into RWK register to determine its overflow rate. The RWK can reloadable when counter is count to overflow. The CWK can read current count value. The WKTR (WKCON.3) can be set to start counting. When the counter rolls over FFH, WKTF (WKCON.4) is set as 1 and a reload is generated and causes the contents of the RWK register to be reloaded into the internal 8-bit counter. If EWKT (EIE1.2) is set as 1, WKT interrupt service routine will be served.

6.8 Pulse Width Modulated (PWM)

6.8.1 Overview

The PWM (Pulse Width Modulation) signal is a useful control solution in wide application field. It can be used on motor driving, fan control, backlight brightness tuning, LED light dimming, or simulating as a simple digital to analog converter output through a low pass filter circuit.

The ML51/ML54/ML56 Series PWM0 is especially designed for motor control by providing three pairs, maximum 16-bit resolution of PWM0 output with programmable period and duty. The architecture makes user easy to drive the one-phase or three-phase brushless DC motor (BLDC), or three-phase AC induction motor. Each of six PWM can be configured as one of independent mode, complementary mode, or synchronous mode. If the complementary mode is used, a programmable dead-time insertion is available to protect MOS turn-on simultaneously. The PWM waveform can be edge-aligned or center-aligned with variable interrupt points.

The ML51/ML54/ML56 Series PWM1/2/3 provide individual configurable period and duty. maximum 16-bit resolution output. Each of two PWM1/2/3 can be configured as one of independent mode, complementary mode, or synchronous mode. The PWM1/2/3 waveform can be edge-aligned or center-aligned with variable interrupt points.

6.8.2 Features

- ◆ Up To 12 output pins can be selected
- ◆ Supports maximum clock source frequency up to 24 MHz
- ◆ Supports up to Three PWM modules, each module provides 6 output channels.
- ◆ Supports independent mode for PWM output
- ◆ Supports complementary mode for 3 complementary paired PWM output channels
- ◆ Dead-time insertion with 8-bit resolution
- ◆ Supports 16-bit resolution PWM counter
- ◆ Supports mask function and tri-state enable for each PWM pin
- ◆ Supports brake function
- ◆ Supports trigger ADC on the following events

6.9 Serial Port (UART0 & UART1)

6.9.1 Overview

The ML51/ML54/ML56 Series includes two enhanced full duplex serial ports enhanced with automatic address recognition and framing error detection. As control bits of these two serial ports are implemented the same. Generally speaking, in the following contents, there will not be any reference to serial port 1, but only to serial port 0.

Each serial port supports one synchronous communication mode, Mode 0, and three modes of full duplex UART (Universal Asynchronous Receiver and Transmitter), Mode 1, 2, and 3. This means it can transmit and receive simultaneously. The serial port is also receiving-buffered, meaning it can commence reception of a second byte before a previously received byte has been read from the register. The receiving and transmitting registers are both accessed at SBUF. Writing to SBUF loads the transmitting register, and reading SBUF accesses a physically separate receiving register. There are four operation modes in serial port. In all four modes, transmission initiates by any instruction that uses SBUF as a destination register.

6.9.2 Features

- ◆ Supports up to 2 UARTs: UART0, UART1
- ◆ Supports 2 Smart Card configuration as UART function as UART2 and UART3.
- ◆ UART baud rate clock from HIRC or HXT.
- ◆ Full-duplex asynchronous communications
- ◆ Programmable 9th bit.
- ◆ TXD and RXD pins of UART0 exchangeable via software.

6.10 Smart Card Interface (SC)

6.10.1 Overview

The ML51/ML54/ML56 Series provides Smart Card Interface controller (SC controller) with asynchronous protocol based on ISO/IEC 7816-3 standard. Software controls GPIO pins as the smartcard reset function and card detection function. This controller also provides UART emulation for high precision baud rate communication.

6.10.2 Features

- ◆ ISO 7816-3 T = 0, T = 1 compliant
- ◆ Programmable transmission clock frequency
- ◆ Programmable extra guard time selection
- ◆ Supports auto inverse convention function
- ◆ Supports UART mode
 - Full duplex, asynchronous communications
 - Supports programmable baud rate generator for each channel
 - Programmable transmitting data delay time between the last stop bit leaving the TX-FIFO and the de-assertion by setting SCnEGT register
 - Programmable even, odd or no parity bit generation and detection
 - Programmable stop bit, 1 or 2 stop bit generation

6.11 Serial Peripheral Interface (SPI)

6.11.1 Overview

The ML51/ML54/ML56 Series provides two Serial Peripheral Interface (SPI) block to support high-speed serial communication. SPI is a full-duplex, high-speed, synchronous communication bus between microcontrollers or other peripheral devices such as serial EEPROM, LCD driver, or D/A converter. It provides either Master or Slave mode, high-speed rate up to $F_{SYS}/4$, transfer complete and write collision flag. For a multi-master system, SPI supports Master Mode Fault to protect a multi-master conflict.

6.11.2 Features

- ◆ 2 sets of SPI devices
- ◆ Supports Master or Slave mode operation
- ◆ Supports MSB first or LSB first transfer sequence
- ◆ Slave mode up to 12 Mhz

6.12 Inter-Integrated Circuit (I²C)

6.12.1 Overview

The ML51/ML54/ML56 Series provides two Inter-Integrated Circuit (I²C) bus to serve as a serial interface between the microcontrollers and the I²C devices such as EEPROM, LCD module, temperature sensor, and so on. The I²C bus uses a two-wire design (a serial data line SDA and a serial clock line SCL) to transfer information between devices.

The I²C bus uses bi-directional data transfer between masters and slaves. There is no central master and the multi-master system is allowed by arbitration between simultaneously transmitting masters. The serial clock synchronization allows devices with different bit rates to communicate via one serial bus. The I²C bus supports four transfer modes including master transmitter, master receiver, slave receiver, and slave transmitter. The I²C interface only supports 7-bit addressing mode. A special mode General Call is also available. The I²C can meet both standard (up to 100kbps) and fast (up to 400k bps) speeds.

6.12.2 Features

- ◆ 2 sets of I²C devices
- ◆ Master/Slave mode
- ◆ Bidirectional data transfer between masters and slaves
- ◆ Multi-master bus (no central master)
- ◆ 7-bit addressing mode
- ◆ Standard mode (100 kbps) and Fast mode (400 kbps).
- ◆ Supports 8-bit time-out counter requesting the I²C interrupt if the I²C bus hangs up and timer-out counter overflows
- ◆ Multiple address recognition (four slave addresses with mask option)
- ◆ Supports hold time programmable

6.13 12-bit Analog-to-digital Converter (ADC)

6.13.1 Overview

The ML51/ML54/ML56 Series is embedded with a 12-bit SAR ADC. The ADC (analog-to-digital converter) allows conversion of an analog input signal to a 12-bit binary representation of that signal. The ML51/ML54/ML56 Series is selected as 8-channel inputs in single end mode. The internal band-gap voltage 0.814 V also can be the internal ADC input. The analog input, multiplexed into one sample and hold circuit, charges a sample and hold capacitor. The output of the sample and hold capacitor is the input into the converter. The converter then generates a digital result of this analog level via successive approximation and stores the result in the result registers. The ADC controller also supports DMA (direct memory access) function for ADC continuous conversion and storage result data into XRAM no need special enable PDMA module.

6.14 Voltage Reference (VREF)

The V_{REF} pin is for analog multiplexer, such as ADC, ACMP. It default be used as an external source (set $ENVRF = 0$). It also could be configurable as on-chip reference voltage generator (V_{REF_IN}) by setting $ENVRF = 1$. The output voltage is selectable by setting $VRFSEL[2:0]$. The maximum load of the V_{REF_IN} must be less than 200 μA to AV_{SS} . Set pre-load is to reduce stable time of V_{REF_IN} . At first enable V_{REF_IN} and turn on pre-load at the same time, the minimum stable time of pre-load on the V_{REF_IN} must be greater than 3 ms. After the V_{REF_IN} stable, user should be turn off pre-load to avoid any interference on analog multiplexer. Pre-load is only for internal V_{REF} use. For detailed electrical characteristics

6.15 Analog Comparator Controller (ACMP)

6.15.1 Overview

The ML51/ML54/ML56 Series contains two comparators. The comparator output is logic 1 when positive input is greater than negative input; otherwise, the output is 0. The comparator can be configured to generate an interrupt when the comparator output value changes.

6.15.2 Feature

- Analog input voltage range: 0 ~ AV_{DD}(voltage of AV_{DD} pin)
- Supports hysteresis function
- Supports wake-up function
- Selectable input sources of negative input
- Comparator ACMP0 supports
 - ◆ 4 positive source
 - P2.5 (ACMPn_P0)
 - P2.3 (ACMPn_P1)
 - P2.1 (ACMPn_P2)
 - P3.1 (ACMPn_P3)
 - ◆ 4 negative sources
 - P2.4 (ACMP0_N0)
 - Comparator Reference Voltage (CRV)
 - VBG (BANDGAP voltage)
 - P2.0 (ACMP0_N1)
- Comparator ACMP1 supports
 - ◆ 4 positive source
 - P2.5 (ACMPn_P0)
 - P2.3 (ACMPn_P1)
 - P2.1 (ACMPn_P2)
 - P3.1 (ACMPn_P3)
 - ◆ 4 negative sources
 - P2.2 (ACMP1_N0)
 - Comparator Reference Voltage (CRV)
 - VBG (BANDGAP voltage)
 - P3.2 (ACMP1_N1)

6.16 PDMA Controller (PDMA)

6.16.1 Overview

The ML51/ML54/ML56 Series provides peripheral direct memory access (PDMA) controller. The PDMA controller is used to provide high-speed data transfer between memory and peripherals or between memory and memory. The PDMA controller can transfer data from one address to another without CPU intervention. This has the benefit of reducing the workload of CPU and keeps CPU resources free for other applications.

6.16.2 Feature

- ◆ Supports transfer data width of 8 bits
- ◆ Supports software and SPI and SMC/UART request
- ◆ Supports source and destination address increment size can be byte
- ◆ Supports transfer done and half done interrupt
- ◆ Supports using PDMA to write data to perform CRC operation

6.17 LCD Driver

6.17.1 Overview

The Liquid Crystal Displays (LCD) panel is widely used to meet the display need in applications. The ML54/ML56 series is equipped with LCD driver that can directly drive the LCD panel with 4 COM x 32 SEG, 6 COM x 30 SEG or 8 COM x 28 SEG. Use the corresponding COM and SEM according to the definition of multiple function pin. The LCD driver supports 1/4 duty, 1/6 duty, or 1/8 duty. The driving voltage supports 1/2 bias, 1/3 bias or 1/4 bias with waveform type A or Type B. The source of LCD clock is based on the choice of LIRC or LXT. The LCD display can keep display on or off during chip in power-down mode. The LCD power supply VLCD source is selectable from internal charge pump, external VLCD pin or analog power AV_{DD}.

6.17.2 Features

- ◆ 1.8V to 5.5V LCD operating voltage.
- ◆ Selectable LCD clock source from LIRC or LXT
- ◆ 1/2, 1/3, 1/4 bias selectable
- ◆ Maximum 4 COM x 32 SEG, 6 COM x 30 SEG, 8 COM x 28 SEG
- ◆ Supports buffer mode for high current driving
- ◆ Support enhanced resistor mode for low power application
- ◆ Support external VLCD source or AV_{DD} as LCD voltage source.
- ◆ Support programmable internal charge pump circuit for LCD voltage level is higher or lower than V_{DD} application.
- ◆ Support blink function.
- ◆ Support display on or off during chip in power down mode

6.18 Real Time Clock (RTC)

6.18.1 Overview

The Real Time Clock (RTC) controller provides the real time and calendar message. The RTC offers programmable time tick and alarm match interrupts. The data format of time and calendar messages are expressed in BCD format. A digital frequency compensation feature is available to compensate external crystal oscillator frequency accuracy.

6.18.2 Features

- Supports real time counter and calendar counter for RTC time and calendar check.
- Supports alarm time and calendar settings
- Supports alarm time and calendar mask enable settings.
- Selectable 12-hour or 24-hour time scale setting.
- Supports Leap Year indication setting.
- Supports Day of the Week counter setting.
- Frequency of RTC clock source compensate by RTCFREQADJ0/1 register.
- All time and calendar message expressed in BCD format.
- Supports periodic RTC Time Tick interrupt with 8 period interval options 1/128, 1/64, 1/32, 1/16, 1/8, 1/4, 1/2 and 1 second.
- Supports RTC Time Tick and Alarm Match interrupt.
- Supports chip wake-up from Idle or Power-down mode while a RTC interrupt signal is generated.

6.19 Touch Key (TK)

6.19.1 Overview

The capacitive touch key sensing controller supports several programmable sensitivity levels for different applications to detect the finger touched or near the electrode covered by dielectric. It supports total 15 keys with single scan or programmable periodic key scans, and system can be waked up by any key for low power applications.

6.19.2 Features

- Supports up to 14 touch keys + 1 reference
- Supports any CLKO pin as shielding and any TK pin as reference.
- Programmable sensitivity levels for each channel.
- Programmable scanning speed for different applications.
- Supports any touch key wake up for low power applications.
- Supports single key scan and programmable periodic key scan.
- Programmable interrupt options for key scan complete with/without threshold control.

6.20 Auxiliary Features

6.20.1 Dual DPTRs

The original 8051 contains one DPTR (data pointer) only. With single DPTR, it is difficult to move data from one address to another with wasting code size and low performance. The ML51/ML54/ML56 Series provides two data pointers. Thus, software can load both a source and a destination address when doing a block move. Once loading, the software simply switches between DPTR and DPTR1 by the active data pointer selection DPS (AUXR0.0) bit.

An example of 64 bytes block move with dual DPTRs is illustrated below. By giving source and destination addresses in data pointers and activating cyclic makes block RAM data move more simple and efficient than only one DPTR. The INC AUXR0 instruction is the shortest (2 bytes) instruction to accomplish DPTR toggling rather than ORL or ANL. For AUXR0.1 contains a hard-wired 0, it allows toggling of the DPS bit by incrementing AUXR0 without interfering with other bits in the register.

```

MOV    R0, #64                ;number of bytes to move
MOV    DPTR, #D_Addr         ;load destination address
INC    AUXR0                  ;change active DPTR
MOV    DPTR, #S_Addr         ;load source address
LOOP:
MOVX   A, @DPTR              ;read source data byte
INC    AUXR0                  ;change DPTR to destination
MOVX   @DPTR, A              ;write data to destination
INC    DPTR                   ;next destination address
INC    AUXR0                  ;change DPTR to source
INC    DPTR                   ;next source address
DJNZ   R0, LOOP
INC    AUXR0                  ;(optional) restore DPS
    
```

AUXR0 also contains a general purpose flag GF2 in its bit 3 that can be set or cleared by the user via software.

DPL – Data Pointer Low Byte

Register	SFR Address	Reset Value
DPL	82H, All pages	0000_0000b

7	6	5	4	3	2	1	0
DPTR[7:0]							
R/W							

Bit	Name	Description
7:0	DPTR[7:0]	<p>Data Pointer Low Byte</p> <p>This is the low byte of 16-bit data pointer. DPL combined with DPH serve as a 16-bit data pointer DPTR to access indirect addressed RAM or Program Memory. DPS (AUXR0.0) bit decides which data pointer, DPTR or DPTR1, is activated.</p>

DPH – Data Pointer High Byte

Register	SFR Address	Reset Value
DPH	83H, All pages	0000_0000b

7	6	5	4	3	2	1	0
DPTR[15:8]							
R/W							

Bit	Name	Description
7:0	DPTR[15:8]	<p>Data Pointer High Byte</p> <p>This is the high byte of 16-bit data pointer. DPH combined with DPL serve as a 16-bit data pointer DPTR to access indirect addressed RAM or Program Memory. DPS (AUXR0.0) bit decides which data pointer, DPTR or DPTR1, is activated.</p>

AUXR0 – Auxiliary Register 0

Register	SFR Address	Reset Value
AUXR0	A2H , Page 0	POR: 0000 0000b, Software reset: 1U00 0000b, nRESET pin: U100 0000b, Hard fault: UU10 0000b Others: UUU0 0000b

7	6	5	4	3	2	1	0
SWRF	RSTPINF	HardF	HardFlnt	GF2	-	0	DPS
R/W	R/W	R/W	R/W	R/W	-	R	R/W

Bit	Name	Description
3	GF2	General Purpose Flag 2 The general purpose flag that can be set or cleared by the user via software.
2	-	Reserved
1	0	Reserved This bit is always read as 0.
0	DPS	Data Pointer Select 0 = Data pointer 0 (DPTR) is active by default. 1 = Data pointer 1 (DPTR1) is active. After DPS switches the activated data pointer, the previous inactivated data pointer remains its original value unchanged.

6.20.2 96-Bit Unique Code (UID)

Before shipping out, each ML51/ML54/ML56 Series chip was factory pre-programmed with a 96-bit width serial number, which is guaranteed to be unique for each piece of ML51/ML54/ML56 Series. The serial number is called Unique Code or UID. The user can read the Unique Code only by IAP command. More details please see Chapter 6.3 Flash Memory Control

In-application-programming (IAP).

IAP Mode	IAPCN				IAPA[15:0] {IAPAH, IAPAL}	IAPFD[7:0]
	IAPB [1:0]	FOEN	FCEN	FCTRL [3:0]		
96-bit Unique Code read	XX	0	0	0100	0000H to 000BH	Data out

6.21 Instruction Set

6.21.1 Instruction Set And Addressing Modes

The ML51/ML54/ML56 Series executes all the instructions of the standard 80C51 family fully compatible with MCS-51. However, the timing of each instruction is different for it uses high performance 1T 8051 core. The architecture eliminates redundant bus states and implements parallel execution of fetching, decode, and execution phases. The ML51/ML54/ML56 Series uses one clock per machine-cycle. It leads to performance improvement of rate 8.1 (in terms of MIPS) with respect to traditional 12T 80C51 device working at the same clock frequency. However, the real speed improvement seen in any system will depend on the instruction mix.

All instructions are coded within an 8-bit field called an OPCODE. This single byte should be fetched from Program Memory. The OPCODE is decoded by the CPU. It determines what action the CPU will take and whether more operation data is needed from memory. If no other data is needed, then only one byte was required. Thus the instruction is called a one byte instruction. In some cases, more data is needed, which is two or three byte instructions.

Following lists all instructions for details. The note of the instruction set and addressing modes are shown below.

Rn (N = 0~7)	Register R0 To R7 Of The Currently Selected Register Bank.
Direct	8-bit internal data location's address. It could be an internal data RAM location (00H to 7FH) or an SFR (80H to FFH).
@RI (I = 0, 1)	8-bit internal data RAM location (00H to FFH) addressed indirectly through register R0 or R1.
#data	8-bit constant included in the instruction.
#data16	16-bit constant included in the instruction.
Addr16	16-bit destination address. Used by LCALL and LJMP. A branch can be any-where within the Program Memory address space.
Addr11	11-bit destination address. Used by ACALL and AJMP. The branch will be within the same 2K-Byte page of Program Memory as the first byte of the following instruction.
Rel	Signed (2's complement) 8-bit offset Byte. Used by SJMP and all conditional branches. The range is -128 to +127 bytes relative to first byte of the following instruction.
Bit	Direct addressed bit in internal data RAM or SFR.

Table 6.21-1 Instruction Set And Addressing Modes

Instruction	CY	OV	AC	Instruction	CY	OV	AC
ADD	X[1]	X	X	CLR C	0		
ADDC	X	X	X	CPL C	X		
SUBB	X	X	X	ANL C, bit	X		
MUL	0	X		ANL C, /bit	X		
DIV	0	X		ORL C, bit	X		
DA A	X			ORL C, /bit	X		
RRC A	X			MOV C, bit	X		
RLC A	X			CJNE	X		
SETB C	1						

Note: X indicates the modification depends on the result of the instruction.

Table 6.21-2 Instructions Affect Flag Settings

6.21.2 Read-Modify-Write Instructions

Instructions that read a byte from SFR or internal RAM, modify it, and rewrite it back, are called “Read-Modify-Write” instructions. When the destination is an I/O port or a port bit, these instructions read the internal output latch rather than the external pin state. This kind of instructions read the port SFR value, modify it and write back to the port SFR. All “Read-Modify-Write” instructions are listed as follows.

<u>Instruction</u>	<u>Description</u>
ANL	Logical AND. (ANL direct, A and ANL direct, #data)
ORL	Logical OR. (ORL direct, A and ORL direct, #data)
XRL #data)	Logical exclusive OR. (XRL direct, A and XRL direct, #data)
JBC	Jump if bit = 1 and clear it. (JBC bit, rel)
CPL	Complement bit. (CPL bit)
INC	Increment. (INC direct)
DEC	Decrement. (DEC direct)
DJNZ	Decrement and jump if not zero. (DJNZ direct, rel)
MOV bit, C	Move carry to bit. (MOV bit, C)
CLR bit	Clear bit. (CLR bit)
SETB bit	Set bit. (SETB bit)

The last three seem not obviously “Read-Modify-Write” instructions but actually they are. They read the entire port latch value, modify the changed bit, and then write the new value back to the port latch.

6.21.3 Instruction Set

Instruction	OPCODE	Bytes	Clock Cycles	ML51/ML54/ML56 Series V.S. Tradition 80C51 Speed Ratio
NOP	00	1	1	12
ADD A, Rn	28~2F	1	2	6
ADD A, direct	25	2	3	4
ADD A, @Ri	26, 27	1	4	3
ADD A, #data	24	2	2	6
ADDC A, Rn	38~3F	1	2	6
ADDC A, direct	35	2	3	4
ADDC A, @Ri	36, 37	1	4	3
ADDC A, #data	34	2	2	6
SUBB A, Rn	98~9F	1	2	6
SUBB A, direct	95	2	3	4
SUBB A, @Ri	96, 97	1	4	3
SUBB A, #data	94	2	2	6

Instruction	OPCODE	Bytes	Clock Cycles	ML51/ML54/ML56 Series V.S. Tradition 80C51 Speed Ratio
INC A	04	1	1	12
INC Rn	08-0F	1	3	4
INC direct	05	2	4	3
INC @Ri	06, 07	1	5	2.4
INC DPTR	A3	1	1	24
DEC A	14	1	1	12
DEC Rn	18-1F	1	3	4
DEC direct	15	2	4	3
DEC @Ri	16, 17	1	5	2.4
MUL AB	A4	1	4	12
DIV AB	84	1	4	12
DA A	D4	1	1	12
ANL A, Rn	58-5F	1	2	6
ANL A, direct	55	2	3	4
ANL A, @Ri	56, 57	1	4	3
ANL A, #data	54	2	2	6
ANL direct, A	52	2	4	3
ANL direct, #data	53	3	4	6
ORL A, Rn	48-4F	1	2	6
ORL A, direct	45	2	3	4
ORL A, @Ri	46, 47	1	4	3
ORL A, #data	44	2	2	6
ORL direct, A	42	2	4	3
ORL direct, #data	43	3	4	6
XRL A, Rn	68-6F	1	2	6
XRL A, direct	65	2	3	4
XRL A, @Ri	66, 67	1	4	3
XRL A, #data	64	2	2	6
XRL direct, A	62	2	4	3
XRL direct, #data	63	3	4	6
CLR A	E4	1	1	12
CPL A	F4	1	1	12
RL A	23	1	1	12
RLC A	33	1	1	12
RR A	03	1	1	12
RRC A	13	1	1	12
SWAP A	C4	1	1	12
MOV A, Rn	E8-EF	1	1	12
MOV A, direct	E5	2	3	4
MOV A, @Ri	E6, E7	1	4	3

Instruction	OPCODE	Bytes	Clock Cycles	ML51/ML54/ML56 Series V.S. Tradition 80C51 Speed Ratio
MOV A, #data	74	2	2	6
MOV Rn, A	F8~FF	1	1	12
MOV Rn, direct	A8~AF	2	4	6
MOV Rn, #data	78~7F	2	2	6
MOV direct, A	F5	2	2	6
MOV direct, Rn	88~8F	2	3	8
MOV direct, direct	85	3	4	6
MOV direct, @Ri	86, 87	2	5	4.8
MOV direct, #data	75	3	3	8
MOV @Ri, A	F6, F7	1	3	4
MOV @Ri, direct	A6, A7	2	4	6
MOV @Ri, #data	76, 77	2	3	6
MOV DPTR, #data16	90	3	3	8
MOVC A, @A+DPTR	93	1	4	6
MOVC A, @A+PC	83	1	4	6
MOVX A, @Ri[1]	E2, E3	1	5	4.8
MOVX A, @DPTR[1]	E0	1	4	6
MOVX @Ri, A[1]	F2, F3	1	6	4
MOVX @DPTR, A[1]	F0	1	5	4.8
PUSH direct	C0	2	4	6
POP direct	D0	2	3	8
XCH A, Rn	C8~CF	1	2	6
XCH A, direct	C5	2	3	4
XCH A, @Ri	C6, C7	1	4	3
XCHD A, @Ri	D6, D7	1	5	2.4
CLR C	C3	1	1	12
CLR bit	C2	2	4	3
SETB C	D3	1	1	12
SETB bit	D2	2	4	3
CPL C	B3	1	1	12
CPL bit	B2	2	4	3
ANL C, bit	82	2	3	8
ANL C, /bit	B0	2	3	8
ORL C, bit	72	2	3	8
ORL C, /bit	A0	2	3	8
MOV C, bit	A2	2	3	4
MOV bit, C	92	2	4	6
ACALL addr11	11, 31, 51, 71, 91, B1, D1, F1[2]	2	4	6
LCALL addr16	12	3	4	6
RET	22	1	5	4.8

Instruction	OPCODE	Bytes	Clock Cycles	ML51/ML54/ML56 Series V.S. Tradition 80C51 Speed Ratio
RETI	32	1	5	4.8
AJMP addr11	01, 21, 41, 61, 81, A1, C1, E1[3]	2	3	8
LJMP addr16	02	3	4	6
SJMP rel	80	2	3	8
JMP @A+DPTR	73	1	3	8
JZ rel	60	2	3	8
JNZ rel	70	2	3	8
JC rel	40	2	3	8
JNC rel	50	2	3	8
JB bit, rel	20	3	5	4.8
JNB bit, rel	30	3	5	4.8
JBC bit, rel	10	3	5	4.8
CJNE A, direct, rel	B5	3	5	4.8
CJNE A, #data, rel	B4	3	4	6
CJNE Rn, #data, rel	B8–BF	3	4	6
CJNE @Ri, #data, rel	B6, B7	3	6	4
DJNZ Rn, rel	D8–DF	2	4	6
DJNZ direct, rel	D5	3	5	4.8
Note: 1. The ML51/ML54/ML56 Series does not have external memory bus. MOVX instructions are used to access internal XRAM. 2. The most three significant bits in the 11-bit address [A10:A8] decide the ACALL hex code. The code will be [A10, A9, A8, 1, 0, 0, 0, 1]. 3. The most three significant bits in the 11-bit address [A10:A8] decide the AJMP hex code. The code will be [A10, A9, A8, 0, 0, 0, 0, 1].				

Table 6.21-3 Instruction Set

7 APPLICATION CIRCUIT

7.1 Power Supply Scheme

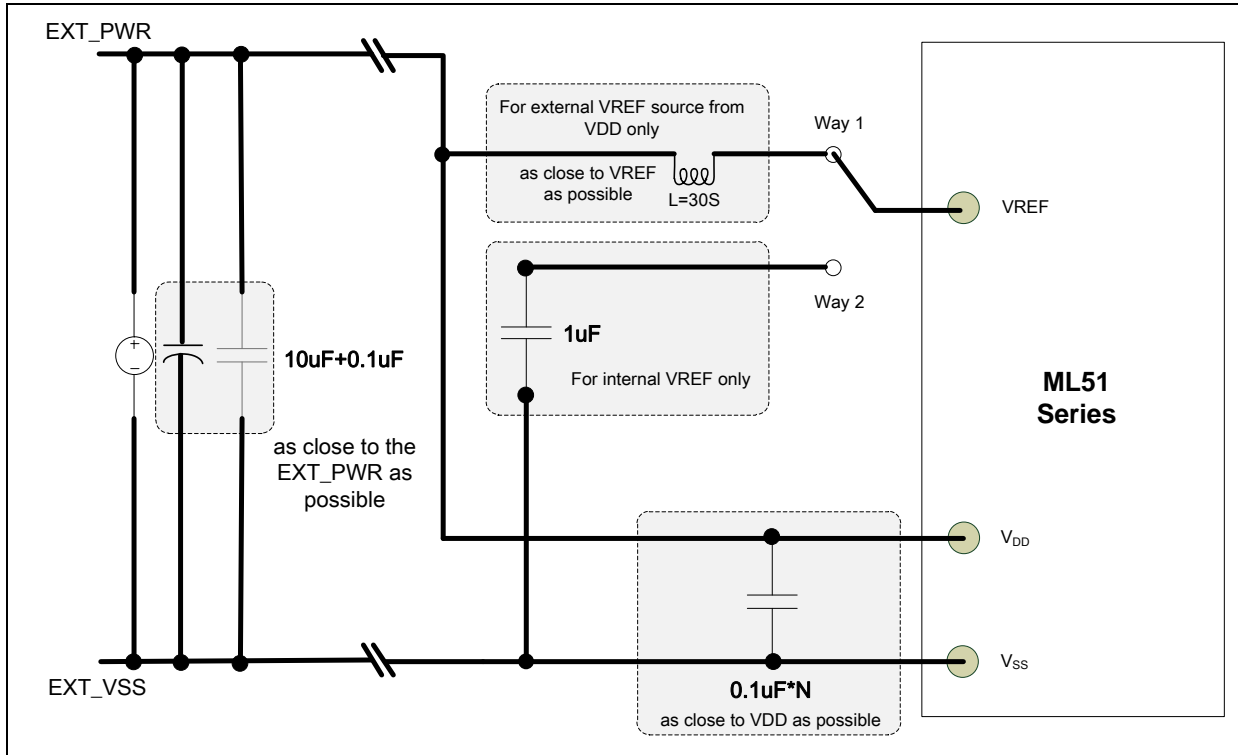


Figure 7.1-1 NuMicro® ML51/ML54/ML56 Series Power supply circuit

7.2 Peripheral Application Scheme

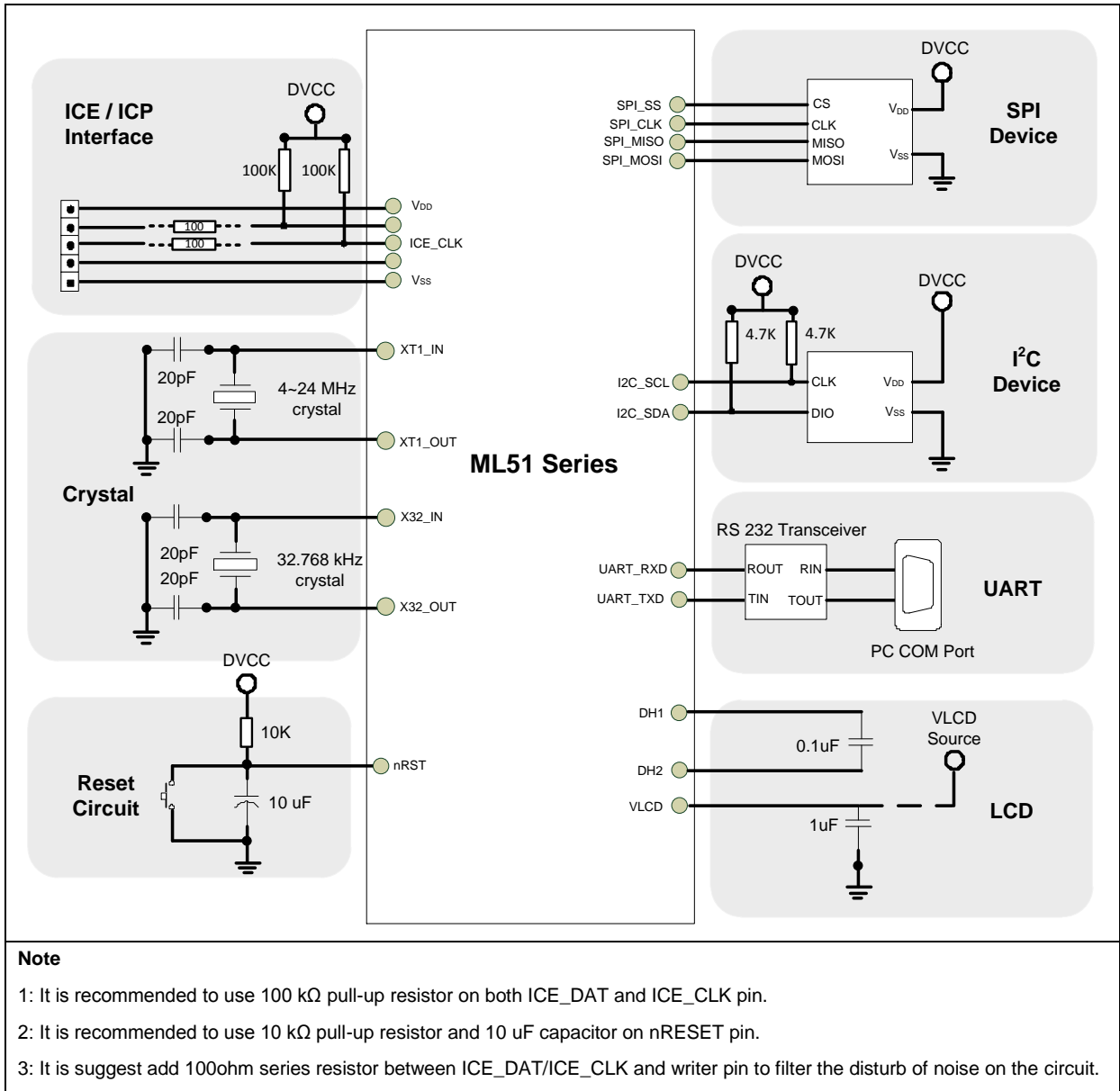


Figure 7.2-1 NuMicro® ML51/ML54/ML56 Series Peripheral interface circuit

8 ELECTRICAL CHARACTERISTICS

Please refer to the relative Datasheet for detailed information about the ML51/ML54/ML56 series electrical characteristics.

8.1 General Operating Conditions

($V_{DD}-V_{SS} = 1.8 \sim 5.5V$, $T_A = 25^{\circ}C$, $F_{sys} = 24$ MHz unless otherwise specified.)

8.1.1 ML51 32KB/16KB Flash Series

Symbol	Parameter	Min	Typ	Max	Unit	Test Conditions
T_A	Temperature	-40	-	105	$^{\circ}C$	
V_{DD}	Operation voltage	1.8	-	5.5	V	
$AV_{DD}^{[1]}$	Analog operation voltage	V_{DD}				
Note:						
1. It is recommended to power V_{DD} and AV_{DD} from the same source. A maximum difference of 0.3V between V_{DD} and AV_{DD} can be tolerated during power-on and power-off operation .						
2. Based on characterization, tested in production.						

Table 8.1-1 ML51 32KB/16KB Flash Series General Operating Conditions

8.1.2 ML51 64KB Flash/ML54/ML56 Series

Symbol	Parameter	Min	Typ	Max	Unit	Test Conditions
T_A	Temperature	-40	-	105	$^{\circ}C$	
V_{DD}	Operation voltage	1.8	-	3.6	V	
$AV_{DD}^{[1]}$	Analog operation voltage	V_{DD}				
Note:						
1. It is recommended to power V_{DD} and AV_{DD} from the same source. A maximum difference of 0.3V between V_{DD} and AV_{DD} can be tolerated during power-on and power-off operation .						
2. Based on characterization, tested in production.						

Table 8.1-2 ML56/ML54/ML51 64KB Flash Series General Operating Conditions

8.2 DC Electrical Characteristics

8.2.1 Supply Current Characteristics

The current consumption is a combination of internal and external parameters and factors such as operating frequencies, device software configuration, I/O pin loading, I/O pin switching rate, program location in memory and so on. The current consumption is measured as described in below condition and table to inform test characterization result.

8.2.1.1 ML51 32KB/16KB Flash Series

- All GPIO pins are in push pull mode and output high.
- The maximum values are obtained for $V_{DD} = 1.8V \sim 5.5V$ and maximum ambient temperature (T_A), and the typical values for $T_A = 25^\circ C$ and $V_{DD} = 3.3V$ unless otherwise specified.
- $V_{DD} = AV_{DD}$
- When the peripherals clock base is the system clock F_{sys} .
- Program run “while (1);” in flash.

Normal Run Mode

Symbol	Conditions	Fsys	Typ ^[6]	Max ^{[6][7]}				Unit
			$T_A = 25^\circ C$	$T_A = 25^\circ C$	$T_A = 85^\circ C$	$T_A = 105^\circ C$		
I _{DD_RUN}	Normal run mode, executed from Flash, all peripherals disable	24 MHz (HIRC) ^[1]	2.40	2.64	2.87	2.90	mA	
		24 MHz (HXT) ^{[2][5]}	2.52	2.97	3.10	3.16		
		12 MHz (HXT) ^{[2][5]}	1.56	2.04	2.13	2.20		
		4 MHz (HXT) ^{[2][5]}	0.91	1.33	1.39	1.43		
		38.4 kHz (LIRC) ^[3]	0.22	0.29	0.32	0.35		
		32.768 kHz (LXT) ^[4]	0.24	0.30	0.32	0.35		
	Normal run mode, executed from Flash, all peripherals enable	24 MHz (HIRC) ^[1]	3.50	3.78	3.86	3.89		
		24 MHz (HXT) ^{[2][5]}	3.62	4.11	4.24	4.31		
		12 MHz (HXT) ^{[2][5]}	2.26	2.74	2.83	2.92		
		4 MHz (HXT) ^{[2][5]}	1.30	1.74	1.81	1.83		
		38.4 kHz (LIRC) ^[3]	0.37	0.57	0.59	0.61		
		32.768 kHz (LXT) ^[4]	0.40	0.58	0.60	0.62		

Notes:

1. This value base on HIRC enable, HXT disable, LIRC enable, LXT enable
2. This value base on HIRC disable, HXT enable, LIRC enable, LXT disable
3. This value base on HIRC disable, HXT disable, LIRC enable, LXT disable

Symbol	Conditions	Fsys	Typ ^[6]	Max ^{[6][7]}			Unit
			T _A = 25 °C	T _A = 25 °C	T _A = 85 °C	T _A = 105 °C	
4. This value base on HIRC disable, HXT disable, LIRC enable, LXT enable 5. Crystal used: Abracon ABS07-120-32.768 kHz-T with a CL of 6 pF for typical values 6. AV _{DD} = V _{DD} = 3.3V, LVR17 enabled, POR enable and BOD enable. 7. Based on characterization, not tested in production unless otherwise specified.							

Table 8.2-1 ML51 32KB / 16KB Series Current Consumption In Normal Run Mode

Low Power Run Mode

Symbol	Conditions	Fsys	Typ ^[3]	Max ^{[3][4]}			Unit
			T _A = 25 °C	T _A = 25 °C	T _A = 85 °C	T _A = 105 °C	
I _{DD_LPRUN}	Low power run mode, executed from Flash, all peripherals disable	38.4 kHz (LIRC) ^[1]	15	21	42	66	µA
		32.768 kHz (LXT) ^[2]	19	23	44	67	
	Low power run mode, executed from Flash, all peripherals enable	38.4 kHz (LIRC) ^[1]	193	307	320	344	
		32.768 kHz (LXT) ^[2]	194	308	321	345	

Notes:

1. This value base on HIRC disable, HXT disable, LIRC enable, LXT disable
2. This value base on HIRC disable, HXT disable, LIRC enable, LXT enable
3. Based on characterization, not tested in production unless otherwise specified.
4. AV_{DD} = V_{DD} = 3.3V, LVR17 enabled, POR enable and BOD disable.

Table 8.2-2 ML51 32KB/16KB Flash Series Current Consumption In Low Power Run Mode

Idle Mode

Symbol	Conditions	Fsys	Typ ^[6]	Max ^{[6][7]}			Unit
			T _A = 25 °C	T _A = 25 °C	T _A = 85 °C	T _A = 105 °C	
I _{DD_IDLE}	Idle mode, all peripherals disable	24 MHz (HIRC) ^[1]	1.43	1.58	1.62	1.64	mA
		24 MHz (HXT) ^{[2][5]}	1.52	1.91	2.00	2.05	
		12 MHz (HXT) ^{[2][5]}	1.07	1.44	1.50	1.56	
		4 MHz (HXT) ^{[2][5]}	0.76	1.10	1.15	1.19	
		38.4 kHz (LIRC) ^[3]	0.20	0.30	0.32	0.35	
		32.768 kHz (LXT) ^[4]	0.22	0.32	0.34	0.36	
	Idle mode, all peripherals enable	24 MHz (HIRC) ^[1]	2.46	2.72	2.78	2.80	
		24 MHz (HXT) ^{[2][5]}	2.55	3.04	3.15	3.19	

Symbol	Conditions	Fsys	Typ ^[6]	Max ^{[6][7]}			Unit
			T _A = 25 °C	T _A = 25 °C	T _A = 85 °C	T _A = 105 °C	
		12 MHz (HXT) ^{[2][5]}	1.67	2.14	2.22	2.26	
		4 MHz (HXT) ^{[2][5]}	1.08	1.51	1.57	1.60	
		38.4 kHz (LIRC) ^[3]	0.37	0.57	0.60	0.61	
		32.768 kHz (LXT) ^[4]	0.38	0.59	0.61	0.62	

Notes:

1. This value base on HIRC enable, HXT disable, LIRC enable, LXT enable
2. This value base on HIRC disable, HXT enable, LIRC enable, LXT disable
3. This value base on HIRC disable, HXT disable, LIRC enable, LXT disable
4. This value base on HIRC disable, HXT disable, LIRC enable, LXT enable
5. Crystal used: Abracon ABS07-120-32.768 kHz-T with a CL of 6 pF for typical values
6. Based on characterization, not tested in production unless otherwise specified.
7. AV_{DD} = V_{DD} = 3.3V, LVR17 enabled, POR enable and BOD enable.

Table 8.2-3 ML51 32KB/16KB Flash Series Current Consumption In Idle Mode

Low Power Idle Mode

Symbol	Conditions	Fsys	Typ ^[3]	Max ^{[3][4]}			Unit
			T _A = 25 °C	T _A = 25 °C	T _A = 85 °C	T _A = 105 °C	
I _{DD_LPIDLE}	Low power idle mode, executed from Flash, all peripherals disable	38.4 kHz (LIRC) ^[1]	13	19	40	63	μA
		32.768 kHz (LXT) ^[2]	15	20	41	65	
	Low power idle mode, executed from Flash, all peripherals enable	38.4 kHz (LIRC) ^[1]	173	304	317	341	
		32.768 kHz (LXT) ^[2]	174	306	319	342	

Notes:

1. This value base on HIRC disable, HXT disable, LIRC enable, LXT disable
2. This value base on HIRC disable, HXT disable, LIRC enable, LXT enable
3. Based on characterization, not tested in production unless otherwise specified.
4. AV_{DD} = V_{DD} = 3.3V, LVR17 enabled, POR enable and BOD enable.

Table 8.2-4 ML51 32KB/16KB Flash Series Current Consumption In Low Power Idle Mode

Power Down Mode

Symbol	Test Conditions	Typ ^[1]	Max ^{[2][3]}			Unit
		T _A = 25 °C	T _A = 25 °C	T _A = 85 °C	T _A = 105 °C	
I _{DD_PD}	Power down mode, all peripherals disable @3.3V	0.8	1.6 ^[4]	18	34	μA
	Power down mode, all peripherals disable @5.5V	1.6	2.5	25	50	
	Power down mode, LVR enable all other peripherals disable	1.4	3.2	19	36	
	Power down mode, LVR enable BOD enable all other peripherals disable	60	80	70	100	
	Power down mode, WDT / WKT enable all use LIRC, BOD disable	2.87	5.2	21	37	
	Power down mode, WDT use LIRC, WKT use LXT, BOD disable	2.42	4.2	20	38	
Notes: <ol style="list-style-type: none"> 1. AV_{DD} = V_{DD} = 3.3V unless otherwise specified, LVR17 enabled, POR disabled and BOD disabled. 2. Based on characterization, not tested in production unless otherwise specified. 3. When analog peripheral blocks such as ADC and ACMP are ON, an additional power consumption should be considered. 4. Based on characterization, tested in production. 						

Table 8.2-5 ML51 32KB/16KB Flash Series Chip Current Consumption in Power down mode

8.2.1.2 ML51 64KB Flash/ML54/ML56 Series

- All GPIO pins are in push pull mode and output high.
- The maximum values are obtained for $V_{DD} = 1.8V \sim 3.6V$ and maximum ambient temperature (T_A), and the typical values for $T_A = 25^\circ C$ and $V_{DD} = 3.3V$ unless otherwise specified.
- $V_{DD} = AV_{DD}$
- When the peripherals clock base is the system clock F_{sys} .
- Program run “while (1);” in flash.

Normal Run Mode

Symbol	Conditions	Fsys	Typ ^[6]	Max ^{[6][7]}				Unit
			T _A = 25 °C	T _A = 25 °C	T _A = 85 °C	T _A = 105 °C		
I _{DD_RUN}	Normal run mode, executed from Flash, all peripherals disable	24 MHz (HIRC) ^[1]	2.86	3.67	3.92	4.15	mA	
		12 MHz (HIRC) ^[1]	1.98	2.37	2.6	2.89		
		1 MHz (HIRC) ^[1]	0.91	1.14	1.2	1.32		
		24 MHz (HXT) ^{[2][5]}	2.94	3.76	4.02	4.23		
		12 MHz (HXT) ^{[2][5]}	2.08	2.47	2.7	2.98		
		1 MHz (HXT) ^{[2][5]}	0.96	1.2	1.3	1.48		
		38.4 kHz (LIRC) ^[3]	0.23	0.32	0.34	0.39		
		32.768 kHz (LXT) ^[4]	0.25	0.35	0.37	0.42		
	Normal run mode, executed from Flash, all peripherals enable	24 MHz (HIRC) ^[1]	4.50	4.78	4.86	4.89		
		12 MHz (HIRC) ^[1]	2.8	3.4	3.6	3.98		
		1 MHz (HIRC) ^[1]	1.17	1.45	1.6	1.75		
		24 MHz (HXT) ^{[2][5]}	4.9	5.21	5.46	5.89		
		12 MHz (HXT) ^{[2][5]}	2.67	3.12	3.33	3.69		
		1 MHz (HXT) ^{[2][5]}	1.21	1.49	1.75	1.83		
38.4 kHz (LIRC) ^[3]	0.41	0.61	0.67	0.72				
32.768 kHz (LXT) ^[4]	0.42	0.62	0.69	0.73				

Notes:
 1. This value base on HIRC enable, HXT disable, LIRC enable, LXT enable

Symbol	Conditions	Fsys	Typ ^[6]				Unit
			T _A = 25 °C	T _A = 25 °C	T _A = 85 °C	T _A = 105 °C	
2. This value base on HIRC disable, HXT enable, LIRC enable, LXT disable 3. This value base on HIRC disable, HXT disable, LIRC enable, LXT disable 4. This value base on HIRC disable, HXT disable, LIRC enable, LXT enable 5. Crystal used: Abracon ABS07-120-32.768 kHz-T with a CL of 6 pF for typical values 6. AV _{DD} = V _{DD} = 3.3V, LVR17 enabled, POR enable and BOD enable. 7. Based on characterization, not tested in production unless otherwise specified.							

Table 8.2-6 ML56/ML54/ML51 64KB Flash Series Current Consumption In Normal Run Mode

Low Power Run Mode

Symbol	Conditions	Fsys	Typ ^[3]				Unit
			T _A = 25 °C	T _A = 25 °C	T _A = 85 °C	T _A = 105 °C	
I _{DD_LPRUN}	Low power run mode, executed from Flash, all peripherals disable	38.4 kHz (LIRC) ^[1]	19	29	52	83	μA
		32.768 kHz (LXT) ^[2]	21	32	55	85	
	Low power run mode, executed from Flash, all peripherals enable	38.4 kHz (LIRC) ^[1]	223	314	327	351	
		32.768 kHz (LXT) ^[2]	230	326	339	362	

Notes:

- This value base on HIRC disable, HXT disable, LIRC enable, LXT disable
- This value base on HIRC disable, HXT disable, LIRC enable, LXT enable
- Based on characterization, not tested in production unless otherwise specified.
- AV_{DD} = V_{DD} = 3.3V, LVR17 enabled, POR enable and BOD disable.

Table 8.2-7 ML56/ML54/ML51 64KB Flash Series Current Consumption In Low Power Run Mode

Idle Mode

Symbol	Conditions	Fsys	Typ ^[6]				Unit
			T _A = 25 °C	T _A = 25 °C	T _A = 85 °C	T _A = 105 °C	
I _{DD_IDLE}	Idle mode, all peripherals disable	24 MHz (HIRC) ^[1]	1.8	2.25	2.43	2.46	mA
		24 MHz (HXT) ^{[2][5]}	1.74	1.91	2.00	2.05	
		12 MHz (HXT) ^{[2][5]}	1.07	1.44	1.50	1.56	
		4 MHz (HXT) ^{[2][5]}	0.97	1.10	1.15	1.19	
		38.4 kHz (LIRC) ^[3]	0.20	0.30	0.32	0.35	
		32.768 kHz (LXT) ^[4]	0.22	0.32	0.34	0.36	

Symbol	Conditions	Fsys	Typ ^[6]	Max ^{[6][7]}			Unit
			T _A = 25 °C	T _A = 25 °C	T _A = 85 °C	T _A = 105 °C	
	Idle mode, all peripherals enable	24 MHz (HIRC) ^[1]	2.46	2.72	2.78	2.80	
		24 MHz (HXT) ^{[2][5]}	2.55	3.04	3.15	3.19	
		12 MHz (HXT) ^{[2][5]}	1.67	2.14	2.22	2.26	
		4 MHz (HXT) ^{[2][5]}	1.08	1.51	1.57	1.60	
		38.4 kHz (LIRC) ^[3]	0.37	0.57	0.60	0.61	
		32.768 kHz (LXT) ^[4]	0.38	0.59	0.61	0.62	

Notes:

1. This value base on HIRC enable, HXT disable, LIRC enable, LXT enable
2. This value base on HIRC disable, HXT enable, LIRC enable, LXT disable
3. This value base on HIRC disable, HXT disable, LIRC enable, LXT disable
4. This value base on HIRC disable, HXT disable, LIRC enable, LXT enable
5. Crystal used: Abracon ABS07-120-32.768 kHz-T with a CL of 6 pF for typical values
6. Based on characterization, not tested in production unless otherwise specified.
7. AV_{DD} = V_{DD} = 3.3V, LVR17 enabled, POR enable and BOD enable.

Table 8.2-8 ML56/ML54/ML51 64KB Flash Series Current Consumption In Idle Mode

Low Power Idle Mode

Symbol	Conditions	Fsys	Typ ^[3]	Max ^{[3][4]}			Unit
			T _A = 25 °C	T _A = 25 °C	T _A = 85 °C	T _A = 105 °C	
I _{DD_LPIDLE}	Low power idle mode, executed from Flash, all peripherals disable	38.4 kHz (LIRC) ^[1]	17	27	50	81	μA
		32.768 kHz (LXT) ^[2]	22	32	55	87	
	Low power idle mode, executed from Flash, all peripherals enable	38.4 kHz (LIRC) ^[1]	213	302	317	340	
		32.768 kHz (LXT) ^[2]	220	312	320	342	

Notes:

5. This value base on HIRC disable, HXT disable, LIRC enable, LXT disable
6. This value base on HIRC disable, HXT disable, LIRC enable, LXT enable
7. Based on characterization, not tested in production unless otherwise specified.
8. AV_{DD} = V_{DD} = 3.3V , LVR17 enabled, POR enable and BOD enable.

Table 8.2-9 ML56/ML54/ML51 64KB Flash Series Current consumption in Low Power Idle mode

Power Down Mode

Symbol	Test Conditions	Typ ^[1]	Max ^{[2][3]}			Unit
		T _A = 25 °C	T _A = 25 °C	T _A = 85 °C	T _A = 105 °C	
I _{DD_PD}	Power down mode, all peripherals disable @3.3V	1.2	1.6 ^[4]	20	37	μA
	Power down mode, all peripherals disable @5.5V	1.7	2.6	27	47	

Symbol	Test Conditions	Typ ^[1]	Max ^{[2][3]}			Unit
		TA = 25 °C	TA = 25 °C	TA = 85 °C	TA = 105 °C	
	Power down mode, LVR enable all other peripherals disable	1.7	3.2	25	42	
	Power down mode, LVR enable, Low power BOD enable all other peripherals disable	4.8	10	52	69	
	Power down mode, LVR enable BOD enable all other peripherals disable	61	82	98	110	
	Power down mode, WDT / WKT enable all use LIRC, BOD disable	3	6.4	44	52	
	Power down mode, WDT use LIRC, WKT use LXT, BOD disable	3.5	7.2	48	68	
	Power-down mode, RTC use LIRC, BOD disable, HIRC off / HXT off / LIRC on / LXT off	2.9	5.9	32	49	
	Power-down mode, RTC/TK use LIRC, BOD disable, HIRC off / HXT off / LIRC on / LXT off	3.4	6.8	42	56	
	Power-down mode, RTC use LXT, BOD disable, HIRC off / HXT off / LIRC off / LXT on	3.9	7.3	48	77	

Notes:

1. AVDD = VDD = 3.3V unless otherwise specified, LVR17 enabled, POR disabled and BOD disabled.
2. Based on characterization, not tested in production unless otherwise specified.
3. When analog peripheral blocks such as ADC and ACMP are ON, an additional power consumption should be considered.
4. Based on characterization, tested in production.

Table 8.2-10 ML56/ML54/ML51 64KB Flash Series Series Chip Current Consumption In Power Down Mode

8.2.2 On-Chip Peripheral Current Consumption

- The typical values for $T_A = 25\text{ }^\circ\text{C}$ and $V_{DD} = AV_{DD} = 3.3\text{ V}$ unless otherwise specified.
- All GPIO pins are set as output high of push pull mode without multi-function.
- The system clock = 24 MHz.
- The result value is calculated by measuring the difference of current consumption between all peripherals clocked off and only one peripheral clocked on

Peripheral	$I_{DD\text{ Base}}$	$I_{DD}^{[1]}$	Unit
ADC ^[2]	309.2		μA
ACMP0 ^[3]	1.0		
ACMP1 ^[3]	1.1		
PWM0	152.3		
SPI0	40.2		
SPI1	44.2		
UART0	98.8	1	
UART1		1	
I2C0	118.7	1	
I2C1		1	
SC0	67.8		
PIN Interrupt	0.2		
TIMER 0	145	4.1	
TIMER 1		3.9	
TIMER 2		4.4	
TIMER 3		10	
INT0	0.3		
INT1	0.3		
WDT	0.4		
WKT	0.7		
PDMA0	13.4	0.5	
PDMA1		0.5	
PDMA2		0.5	
PDMA3		0.5	
CAPTURE0	145	0.5	
CAPTURE1		0.3	
CAPTURE2		0.5	
RTC	1		
LCD	23		

Peripheral	$I_{DD \text{ Base}}$	$I_{DD}^{[1]}$	Unit
<p>Notes:</p> <ol style="list-style-type: none"> 1. Guaranteed by characterization results, not tested in production. 2. When the ADC is turned on, add an additional power consumption per ADC for the analog part. 3. When the ACMP is turned on, add an additional power consumption per ACMP for the analog part. 			

Table 8.2-11 Peripheral Current Consumption

8.2.3 Wakeup Time from Low-Power Modes

The wakeup times given in Table 8.2-12 Low-Power Mode Wakeup Timings is measured on a wakeup phase with a 24 MHz HIRC oscillator.

Symbol	Parameter	Typ	Max	Unit
t _{WU_IDLE}	Wakeup from IDLE mode	5	6	cycles
t _{WU_NPD} [1][2]	Fsys = HIRC @5.5V	7	20	μs
	Fsys = HIRC @3.6V	10	20	μs
	Fsys = HIRC @1.8V	13	20	μs
	Fsys = HXT@24MHz @5.5V ^[3]	370	-	μs
	Fsys = HXT@24MHz @3.6V ^[3]	440	-	
	Fsys = HXT@24MHz @1.8V ^[3]	600	-	μs
	Fsys = LIRC	938	1500	μs
	Fsys = LXT@32.768KHz ^[4]	860	-	μs

Notes:

1. Based on test during characterization, not tested in production.
2. The wakeup times are measured from the wakeup event to the point in which the application code reads the first
3. Value variable based on extnrl Crystal stable time.
- 4 Crystal used: Abracon ABS07-120-32.768 kHz-T with a CL of 6 pF for typical values, LXT not disabled when ML51/ML54/ML56 Series into Power down mode.

Table 8.2-12 Low-Power Mode Wakeup Timings

8.2.4 I/O DC Characteristics

8.2.4.1 PIN Input Characteristics

Symbol	Parameter	Min	Typ	Max	Unit	Test Conditions
V_{IL}	Input low voltage	0	-	$0.3 \cdot V_{DD}$	V	
V_{IL1}	Input low voltage (I/O with TTL input)	$V_{SS}-0.3$	-	$0.2V_{DD}-0.1$	V	
V_{IH}	Input high voltage	$0.2V_{DD}+0.9$	-	$V_{DD}+0.3$	V	
V_{IH1}	Input high voltage (I/O with Schmitt trigger input and Xin)	$0.7 \cdot V_{DD}$	-	V_{DD}	V	
$V_{HY}^{[1]}$	Hysteresis voltage of schmitt input	-	$0.2 \cdot V_{DD}$	-	V	
$I_{LK}^{[2]}$	Input leakage current	-1		1	μA	$V_{SS} < V_{IN} < V_{DD}$, Open-drain or input only mode
		-1		1		$V_{DD} < V_{IN} < 5.5 V$, Open-drain or input only mode
$R_{PU}^{[1][3]}$	Pull up resistor	40	-	60	k Ω	$V_{DD} = 5.5 V$, Quasi mode and Input mode with pull up enable
		40	-	60		$V_{DD} = 3.3 V$, Quasi mode and Input mode with pull up enable
		40	-	70		$V_{DD} = 1.8 V$, Quasi mode and Input mode pull up enable
$R_{PD}^{[1][3]}$	Pull down resistor	40	-	60	k Ω	$V_{DD} = 5.5 V$, Quasi mode and Input mode with pull up enable
		40	-	60		$V_{DD} = 3.3 V$, Quasi mode and Input mode with pull up enable
		40	-	70		$V_{DD} = 1.8 V$, Quasi mode and Input mode pull up enable

Notes:

1. Guaranteed by characterization result, not tested in production.
2. Leakage could be higher than the maximum value, if abnormal injection happens.
3. To sustain a voltage higher than $V_{DD} + 0.3 V$, the internal pull-up resistors must be disabled. Leakage could be higher than the maximum value, if positive current is injected on adjacent pins
4. Test condition of V_{DD} is base on the maximum value of V_{DD}

Table 8.2-13I/O Input Characteristics

8.2.4.2 nRESET Input Characteristics

Symbol	Parameter	Min	Typ	Max	Unit	Test Conditions
V_{ILR}	Negative going threshold, nRESET	-	-	$0.3 \cdot V_{DD}$	V	
V_{IHR}	Positive going threshold, nRESET	$0.7 \cdot V_{DD}$	-	-	V	
$R_{RST}^{[1]}$	Internal nRESET pull up resistor	45	-	60	K Ω	$V_{DD} = 5.5 \text{ V}$
		45	-	60		$V_{DD} = 3.6 \text{ V}$
		50	-	65		$V_{DD} = 1.8 \text{ V}$
$t_{FR}^{[1]}$	nRESET input response time	-	1.5	-	μs	Normal run and Idle mode
		10	-	25		Power down mode
Notes: 1. Guaranteed by characterization result, not tested in production. 2. It is recommended to add a 10 k Ω and 10 μF capacitor at nRESET pin to keep reset signal stable.						

Table 8.2-14 nRESET Input Characteristics

8.3 AC Electrical Characteristics

The maximum values are obtained for $V_{DD} = 1.8\text{ V} \sim 5.5\text{ V}$ and maximum ambient temperature (T_A), and the typical values for $T_A = 25\text{ }^\circ\text{C}$ and $V_{DD} = 3.3\text{ V}$ unless otherwise specified. $V_{DD} = AV_{DD}$.

8.3.1 24 MHz Internal High Speed RC Oscillator (HIRC)

The 24 MHz RC oscillator is calibrated in production.

Symbol.	Parameter	Min	Typ	Max	Unit	Test Conditions
V_{DD}	Operating voltage	1.8	-	5.5	V	
F_{HIRC}	Oscillator frequency	23.76	24	24.24	MHz	$T_A = 25\text{ }^\circ\text{C}$, $V_{DD} = 5\text{V}$
	Frequency drift over temperature and voltage	-1 ^[1]	-	1 ^[1]	%	$T_A = 25\text{ }^\circ\text{C}$, $V_{DD} = 3.3\text{V}$
		-2 ^[2]	-	2 ^[2]	%	$T_A = -20\text{ }^\circ\text{C} \sim +105\text{ }^\circ\text{C}$, $V_{DD} = 1.8 \sim 5.5\text{V}$
		-5 ^[2]	-	5 ^[2]	%	$T_A = -40\text{ }^\circ\text{C} \sim -20\text{ }^\circ\text{C}$, $V_{DD} = 1.8 \sim 5.5\text{V}$
I_{HIRC} ^[2]	Operating current	-	490	550	μA	
T_S ^[3]	Stable time	-	3	5	μs	$T_A = -40\text{ }^\circ\text{C} \sim +105\text{ }^\circ\text{C}$, $V_{DD} = 1.8 \sim 5.5\text{V}$
Notes:						
1. Based on characterization, tested in production.						
2. Guaranteed by characterization result, not tested in production.						
3. Guaranteed by design.						

Table 8.3-1 24 MHz Internal High Speed RC Oscillator(HIRC) Characteristic

8.3.2 38.4 kHz Internal Low Speed RC Oscillator (LIRC)

Symbol	Parameter	Min	Typ	Max	Unit	Test Conditions
V _{DD}	Operating voltage	1.8	-	5.5	V	
F _{LRC}	Oscillator frequency	-	38.4	-	kHz	
	Frequency drift over temperature and voltage	-2 ^[1]	-	2 ^[1]	%	T _A = 25 °C, V _{DD} = 5V
-10 ^[2]		-	10 ^[2]	%	T _A =-40~105°C V _{DD} =1.8V~5.5V Without software calibration	
I _{LRC} ^[2]	Operating current	-	0.85	1	µA	V _{DD} = 3.3V
T _S	Stable time	-	500	-	µs	T _A =-40~105°C V _{DD} =1.8V~5.5V
Notes: <ol style="list-style-type: none"> 1. Guaranteed by characterization, tested in production. 2. Guaranteed by characterization, not tested in production. 3. The 38.4 kHz low speed RC oscillator can be calibrated by user. 4. Guaranteed by design. 						

Table 8.3-2 38.4 kHz Internal Low Speed RC Oscillator(LIRC) Characteristics

8.3.3 External 4~24 MHz High Speed Crystal/Ceramic Resonator (HXT) characteristics

The high-speed external (HXT) clock can be supplied with a 4 to 24 MHz crystal/ceramic resonator oscillator. All the information given in this section are based on characterization results obtained with typical external components. In the application, the external components have to be placed as close as possible to the XT1_IN and XT1_Out pins and must not be connected to any other devices in order to minimize output distortion and startup stabilization time. Refer to the crystal resonator manufacturer for more details on the resonator characteristics (frequency, package, accuracy).

Symbol	Parameter	Min ^[1]	Typ	Max ^[1]	Unit	Test Conditions ^[2]
V _{DD}	Operating voltage	1.8	-	5.5	V	
R _f	Internal feedback resistor	-	500	-	kΩ	
f _{HXT}	Oscillator frequency	4	-	24	MHz	
I _{HXT}	Current consumption	-	80	180	μA	4 MHz, Gain = L0
		-	110	300		8 MHz, Gain = L1
		-	180	500		12 MHz, Gain = L2
		-	230	650		16 MHz, Gain = L3
		-	360	975		24 MHz, Gain = L4
T _s	Stable time ^[3]	-	3500	-	μs	4 MHz, Gain = L0
		-	950	-		8 MHz, Gain = L1
		-	700	-		12 MHz, Gain = L2
		-	450	-		16 MHz, Gain = L3
		-	400	-		24 MHz, Gain = L4
D _{U_{HXT}}	Duty cycle	40	-	60	%	

Notes:

1. Guaranteed by characterization, not tested in production.
2. L0 ~ L4 defined by SFR_XLTCO_N[6:4]_HXSG
3. Value variable based on external Crystal stable time.

Table 8.3-3 External 4~24 MHz High Speed Crystal (HXT) Oscillator

Typical Crystal Application Circuits

For C1 and C2, it is recommended to use high-quality external ceramic capacitors in 10 pF ~ 25 pF range, designed for high-frequency applications, and selected to match the requirements of the crystal or resonator. The crystal manufacturer typically specifies a load capacitance which is the series combination of C1 and C2. PCB and MCU pin capacitance must be included (8 pF can be used as a rough estimate of the combined pin and board capacitance) when sizing C1 and C2.

CRYSTAL	C1	C2	R1
4 MHz ~ 24 MHz	10 ~ 25 pF	10 ~ 25 pF	without

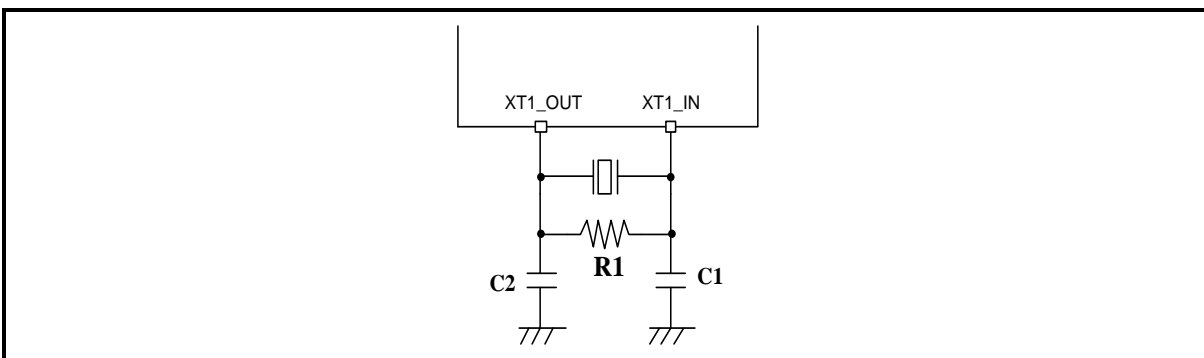


Table 8.3-4 Typical Crystal Application

8.3.4 External 4~24 MHz High Speed Clock Input Signal Characteristics

For clock input mode the HXT oscillator is switched off and XT1_IN is a standard input pin to receive external clock. The external clock signal has to respect the below Table. The characteristics result from tests performed using a waveform generator.

Symbol	Parameter	Min ^[1]	Typ	Max ^[1]	Unit	Test Conditions
f_{HXT_ext}	External user clock source frequency	4	-	24	MHz	
t_{CHCX}	Clock high time	8	-	-	ns	
t_{CLCX}	Clock low time	8	-	-	ns	
t_{CLCH}	Clock rise time	-	-	10	ns	Low (10%) to high level (90%) rise time
t_{CHCL}	Clock fall time	-	-	10	ns	High (90%) to low level (10%) fall time
D_{UE_HXT}	Duty cycle	40	-	60	%	
V_{IH}	Input high voltage	$0.7 \cdot V_{DD}$	-	V_{DD}	V	
V_{IL}	Input low voltage	V_{SS}	-	$0.3 \cdot V_{DD}$	V	

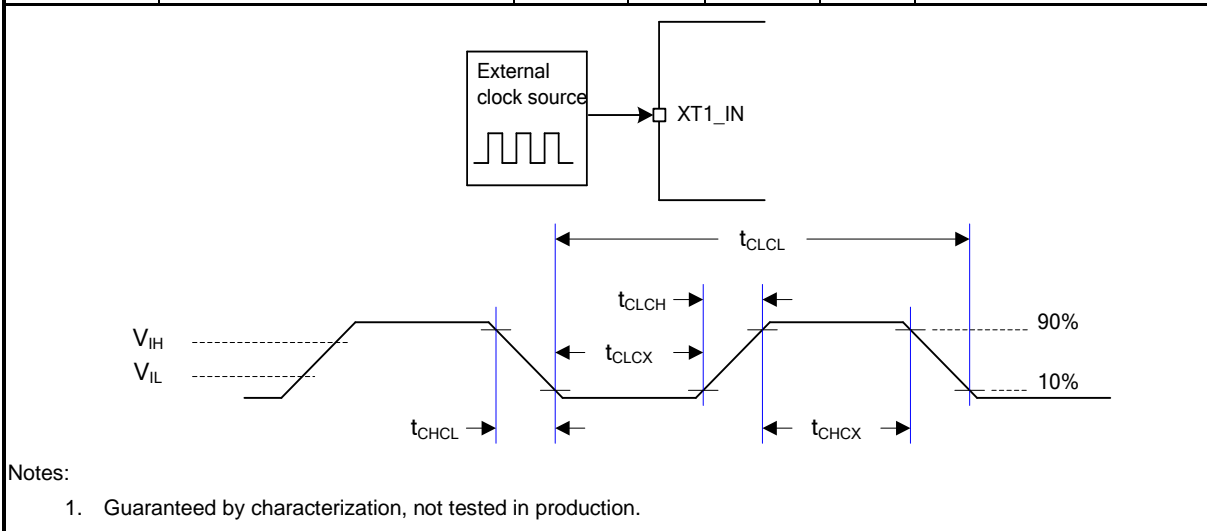


Table 8.3-5 External 4~24 MHz High Speed Clock Input Signal

8.3.5 External 32.768 kHz Low Speed Crystal/Ceramic Resonator (LXT) characteristics

The low-speed external (LXT) clock can be supplied with a 32.768 kHz crystal/ceramic resonator oscillator. All the information given in this section are based on characterization results obtained with typical external components. In the application, the external components have to be placed as close as possible to the X32_OUT and X32_IN pins and must not be connected to any other devices in order to minimize output distortion and startup stabilization time. Refer to the crystal resonator manufacturer for more details on the resonator characteristics (frequency, package, accuracy).

Symbol	Parameter	Min ^[1]	Typ	Max ^[1]	Unit	Test Conditions ^[2]
V _{DD}	Operation voltage	1.8	-	5.5	V	
T _{LXT}	Temperature range	-40	-	105	°C	
R _f	Internal feedback resistor	-	6	-	MΩ	
F _{LXT}	Oscillator frequency	32.768			kHz	
I _{LXT}	Current consumption	-	1.3	3.7	μA	ESR=35 kΩ, Gain = L2
		-	1.6	6		ESR=70 kΩ, Gain = L3
T _{sLXT}	Stable time ^[3]	-	2	-	s	
Du _{LXT}	Duty cycle	30	-	70	%	
Rs	Equivalent Series Resistor(ESR)	-	35	70	kΩ	Crystal @32.768 kHz

Notes:

1. Guaranteed by characterization, not tested in production.
2. L1 ~ L2 defined by SFR XLTCN[1:0] LXSG
3. Crystal used: Abracon ABS07-120-32.768 kHz-T with a CL of 6 pF for typical values, Value variable based on external Crystal stable time.

Table 8.3-6 External 32.768 kHz Low Speed Crystal (LXT) Oscillator Characteristics

Typical Crystal Application Circuits

CRYSTAL	C1	C2	R1
32.768 kHz, ESR < 70 KΩ	20 pF	20 pF	without

Table 8.3-7 Typical 32.768 kHz Crystal Application Circuit

8.3.6 I/O AC Characteristics

Symbol	Parameter	Typ.	Max ^[1]	Unit	Test Conditions ^[2]
t _{f(I/O)out}	Normal mode ^[4] output high (90%) to low level (10%) falling time	4.6	5.1	ns	C _L = 30 pF, V _{DD} ≥ 5.5 V
		2.9	3.3		C _L = 10 pF, V _{DD} ≥ 5.5 V
		6.6	8		C _L = 30 pF, V _{DD} ≥ 3.3 V
		4.3	5		C _L = 10 pF, V _{DD} ≥ 3.3 V
		8.5	12.5		C _L = 30 pF, V _{DD} ≥ 1.8 V
		8.0	10.7		C _L = 10 pF, V _{DD} ≥ 1.8 V
t _{f(I/O)out}	High slew rate mode ^[5] output high (90%) to low level (10%) falling time	4.0	4.3	ns	C _L = 30 pF, V _{DD} ≥ 5.5 V
		2.1	2.5		C _L = 10 pF, V _{DD} ≥ 5.5 V
		4.9	5.8		C _L = 30 pF, V _{DD} ≥ 3.3 V
		3.0	3.7		C _L = 10 pF, V _{DD} ≥ 3.3 V
		9.5	13.8		C _L = 30 pF, V _{DD} ≥ 1.8 V
		5.4	7.4		C _L = 10 pF, V _{DD} ≥ 1.8 V
t _{r(I/O)out}	Normal mode ^[4] output low (10%) to high level (90%) rising time	5.6	6.1	ns	C _L = 30 pF, V _{DD} ≥ 5.5 V
		3.4	3.7		C _L = 10 pF, V _{DD} ≥ 5.5 V
		8.1	9.4		C _L = 30 pF, V _{DD} ≥ 3.3 V
		5.1	5.8		C _L = 10 pF, V _{DD} ≥ 3.3 V
		15.1	20.3		C _L = 30 pF, V _{DD} ≥ 1.8 V
		9.6	12.4		C _L = 10 pF, V _{DD} ≥ 1.8 V
t _{r(I/O)out}	High slew rate mode ^[5] output low (10%) to high level (90%) rising time	4.8	5.2	ns	C _L = 30 pF, V _{DD} ≥ 5.5 V
		2.1	2.5		C _L = 10 pF, V _{DD} ≥ 5.5 V
		6.4	7.4		C _L = 30 pF, V _{DD} ≥ 3.3 V
		3.0	3.7		C _L = 10 pF, V _{DD} ≥ 3.3 V
		12.7	16.9		C _L = 30 pF, V _{DD} ≥ 1.8 V
		5.4	7.4		C _L = 10 pF, V _{DD} ≥ 1.8 V
f _{max(I/O)out} ^[3]	I/O maximum frequency	24	24	MHz	C _L = 30 pF, V _{DD} ≥ 1.8 V
					C _L = 10 pF, V _{DD} ≥ 1.8 V

Notes:

1. Guaranteed by characterization result, not tested in production.
2. C_L is a external capacitive load to simulate PCB and device loading.
3. The maximum frequency is defined by $f_{max} = \frac{2}{3 \times (t_f + t_r)}$.
4. PxSR.n bit value = 0, Normal output slew rate
5. PxSR.n bit value = 1, high speed output slew rate

Table 8.3-8 I/O AC characteristics

8.4 Analog Characteristics

8.4.1 Reset and Power Control Block Characteristics

The maximum values are obtained for $V_{DD} = 1.8V \sim 5.5V$ and maximum ambient temperature (T_A), and the typical values for $T_A = 25^\circ C$ and $V_{DD} = 3.3V$. The parameters in below table are derived from tests performed under ambient temperature unless otherwise specified.

Symbol	Parameter	Min	Typ	Max	Unit	Test Conditions
$I_{POR}^{[1]}$	POR Operating Current	-	60	100	μA	$AV_{DD} = 5.5V$
$I_{LVR}^{[1]}$	LVR Operating Current	-	30	80		$AV_{DD} = 5.5V$
	LVR Low Power Run Mode Operating Current		0.5	1		$AV_{DD} = 5.5V$
$I_{BOD}^{[1]}$	BOD Operating Current	-	0.5	2.9		$AV_{DD} = 5.5V$
V_{POR}	POR Reset Voltage	1.45	1.55	1.65	V	-
V_{LVR}	LVR Reset Voltage	1.55	1.63	1.70		-
V_{BOD}	BOD Brown-Out Detect Voltage	1.7	1.8	2		
		1.9	2	2.2		
		2.3	2.4	2.5		
		2.55	2.7	2.8		
		2.85	3	3.2		
		3.55	3.7	3.9		
4.2	4.4	4.5				
$T_{LVR_SU}^{[1]}$	LVR Startup Time	-	1	2	μs	-
$T_{LVR_RE}^{[1]}$	LVR Respond Time	-	15	20		-
	LVR Low Power Run Mode Respond Time	-	20	30		-
$T_{BOD_SU}^{[1]}$	BOD Startup Time	-	250	350		-
$T_{BOD_RE}^{[1]}$	BOD Respond Time	-	19	30	-	
Notes:						
1. Guaranteed by characterization, not tested in production.						
2. Design for specified applicaiton.						

Table 8.4-1 Reset And Power Control Unit

8.4.2 12-bit SAR ADC

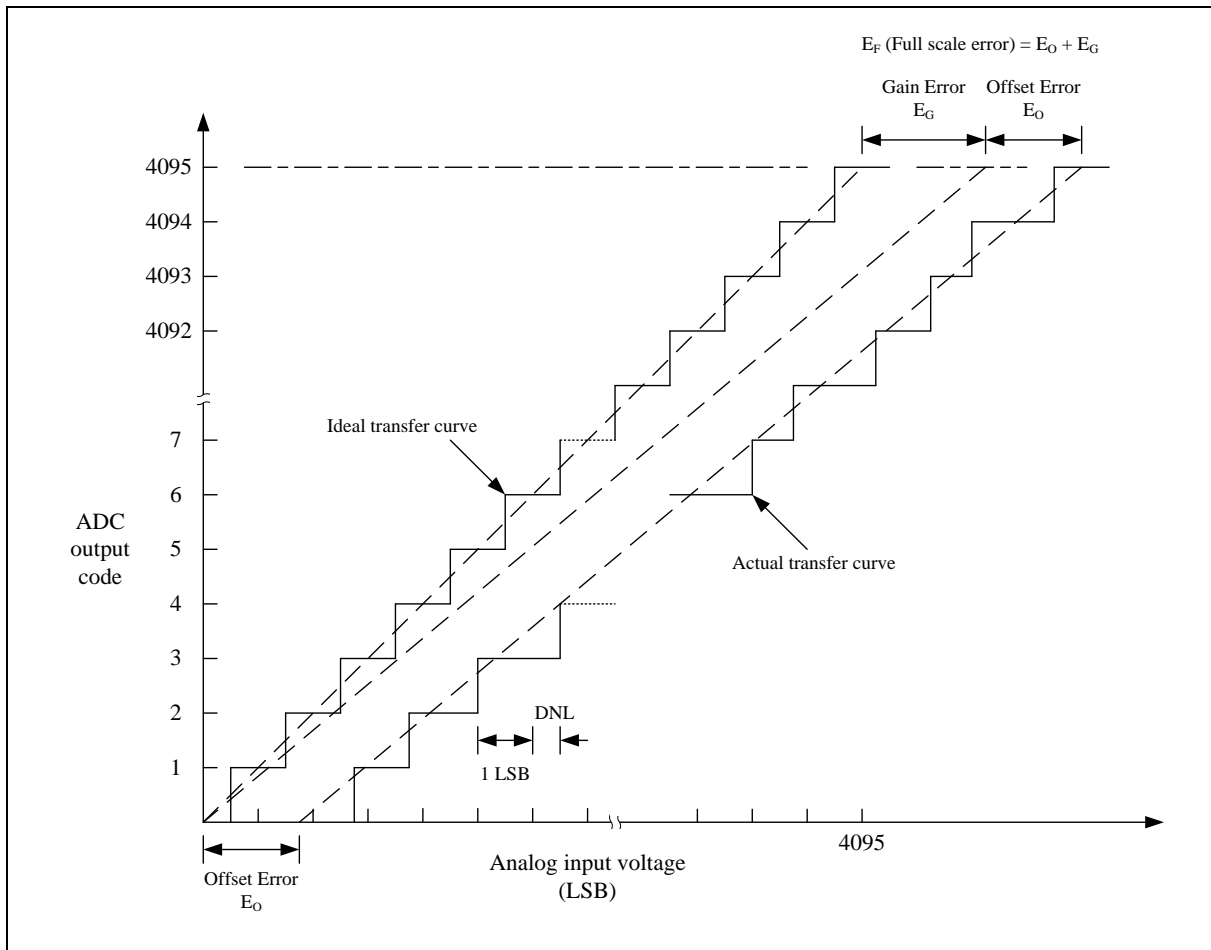
The maximum values are obtained for $V_{DD} = 1.8V \sim 5.5V$ and maximum ambient temperature (T_A), and the typical values for $T_A = 25^\circ C$ and $V_{DD} = 3.3V$. The parameters in below table are derived from tests performed under ambient temperature unless otherwise specified.

Symbol	Parameter	Min	Typ	Max	Unit	Test Conditions
T_A	Temperature	-40	-	105	$^\circ C$	
AV_{DD}	Analog Operating Voltage	1.8	-	V_{DD}	V	$V_{DD} = AV_{DD}$
V_{REF}	Reference Voltage	1.8	-	AV_{DD}	V	$AV_{DD} - V_{REF} < 1.2V$
V_{IN}	ADC Channel Input Voltage	0	-	V_{REF}	V	
$I_{ADC}^{[1]}$	Operating Current ($AV_{DD} + V_{REF}$ Current)	-	-	360	μA	$AV_{DD} = V_{DD} = V_{REF} = 5V$ $F_{ADC} = 500kHz$
N_R	Resolution	12			Bit	
$F_{ADC}^{[1]}$	ADC Conversion Rate	-	-	500	F_{ADC}	ADC conversion rate
T_{SMP}	Sampling Time ^[2]	0.375	-	2.12	T_{SMP}	Sampling Time ^[2]
		0.417	-	1.54		
T_{CONV}	Conversion Time	1	-	128	$1/F_{ADC}$	
T_{EN}	Enable To Ready Time	20	-	-	μs	
$INL^{[1]}$	Integral Non-Linearity Error	-4	-	+4	LSB	$V_{REF} = AV_{DD}$
$DNL^{[1]}$	Differential Non-Linearity Error	-2	-	+4.5	LSB	$V_{REF} = AV_{DD}$
$E_G^{[1]}$	Gain Error	-3.5	-	+0.4	LSB	$V_{REF} = AV_{DD}$
$E_O^{[1]T}$	Offset Error	-2	-	+2.5	LSB	$V_{REF} = AV_{DD}$
$E_A^{[1]}$	Absolute Error	-7		+7	LSB	$V_{REF} = AV_{DD}$

Notes:

- Guaranteed by characterization result, not tested in production.
- ADC sampling time = $\frac{4 * ADCAQT + 6}{F_{ADCAQT}}$, F_{ADCAQT} is defined in ADCDIV (ADCCON2[3:1]). As default $F_{ADCAQT} = F_{SYS}$ (ADCDIV=0),
- Since the minima sampling time must over 370ns that means when $F_{ADCAQT} = 24MHz$, $ADCAQT$ should be defined as 1 at least. This value is defined by software.

Table 8.4-2 ADC Characteristics



Note: The INL is the peak difference between the transition point of the steps of the calibrated transfer curve and the ideal transfer curve. A calibrated transfer curve means it has calibrated the offset and gain error from the actual transfer curve.

8.4.3 Analog Comparator Controller (ACMP)

The maximum values are obtained for VDD = 5.5 V and maximum ambient temperature (TA), and the typical values for TA= 25 °C and VDD = 3.3 V unless otherwise specified.

Symbol	Parameter	Min	Typ	Max	Unit	Test Conditions
AVDD	Analog supply voltage	1.8	-	5.5	V	VDD = AVDD
TA	Temperature	-40	-	105	°C	
IDD	Operating current	-	2	5	μA	
VCM ^[2]	Input common mode voltage range	0.35	1/2 AVDD	AVDD -0.3		
VDI ^[2]	Differential input voltage sensitivity	10	20	-	mV	Hysteresis disable
Voffset ^[2]	Input offset voltage	-	10	20	mV	Hysteresis disable
Vhys ^[2]	Hysteresis window	-	10	20	mV	
Av ^[1]	DC voltage Gain	45	65	75	dB	
Td ^[2]	Propagation delay	-	-	5	μS	
TStable ^[2]	Stable time	-	-	5	μS	
ACRV ^[2]	CRV output voltage	-5	-	5	%	AVDD x (1/6+CRVCTL/24)
RCRV ^[2]	Unit resistor value	-	4.5	-	kΩ	
TSETUP_CRV ^[2]	Stable time	-	-	2	μS	CRV output voltage settle to ±5%
IDD_CRV ^[2]	Operating current	-	2	-	μA	

Notes:

1. Guaranteed by design, not tested in production
2. Guaranteed by characteristic, not tested in production. unless otherwise specified.

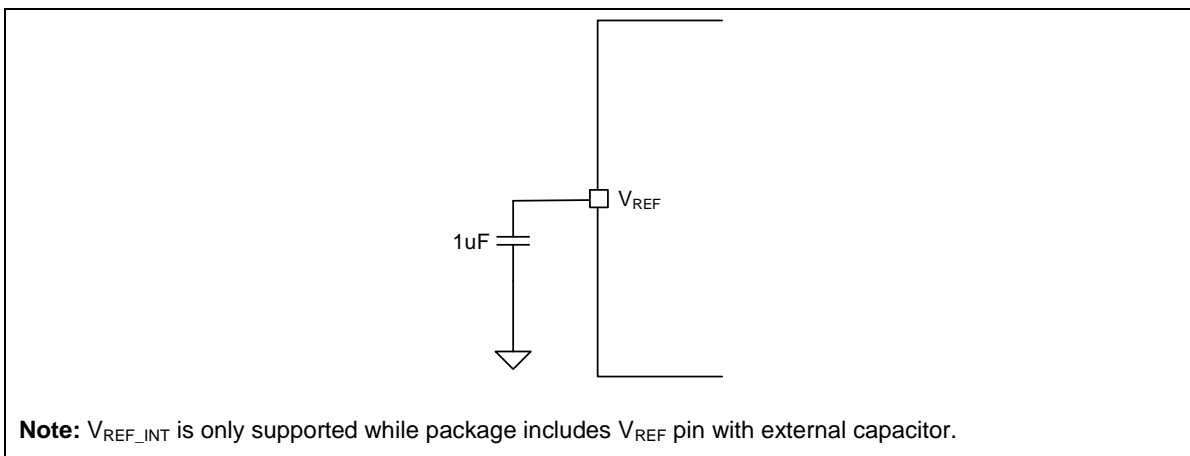
Table 8.4-3 ACMP Characteristics

8.4.4 Internal Voltage Reference

The maximum values are obtained for $V_{DD} = 5.5\text{ V}$ and maximum ambient temperature (T_A), and the typical values for $T_A = 25\text{ }^\circ\text{C}$ and $V_{DD} = 3.3\text{ V}$ unless otherwise specified.

Symbol	Parameter	Min	Typ	Max	Unit	Test Conditions
V_{REF_EXT}	External Analog reference voltage	1.8	-	AV_{DD}		
V_{REF_INT}	Internal reference voltage	1.49	1.538	1.59	V	$AV_{DD} \geq 2.0\text{ V}$, $T_A = 25^\circ\text{C}$ Internal analog reference voltage $V_{RFSEL}[2:0] = 000$ [2]
		2.018	2.048	2.078		$AV_{DD} \geq 2.4\text{ V}$, $T_A = 25^\circ\text{C}$ Internal Analog reference voltage $V_{RFSEL}[2:0] = 001$ [2] Test in product.
		2.48	2.560	2.64		$AV_{DD} \geq 2.9\text{ V}$, $T_A = 25^\circ\text{C}$ Internal analog reference voltage $V_{RFSEL}[2:0] = 010$ [2]
		3.042	3.072	3.102		$AV_{DD} \geq 3.4\text{ V}$, $T_A = 25^\circ\text{C}$ Internal Analog reference voltage $V_{RFSEL}[2:0] = 011$ [2] Test in product.
		3.97	4.096	4.22		$AV_{DD} \geq 4.5\text{ V}$, $T_A = 25^\circ\text{C}$ Internal analog reference voltage $V_{RFSEL}[2:0] = 100$ [2]
V_{BG}	Band-gap voltage	0.793	0.814	0.835	V	$T_A = -40^\circ\text{C} \sim 105^\circ\text{C}$, Test in product.
T_s	Stable time	-	24	180	mS	$C_L = 1\text{ }\mu\text{F}$, V_{REF} initial=0, Preload is enabled.
		-	2	2.6	mS	$C_L = 1\text{ }\mu\text{F}$, V_{REF} initial=5.5, Preload is enabled.
I_{VREF_INT}	V_{REF_INT} operating current	-	-	1	mA	
I_{VREF_LOAD}	V_{REF_INT} output loading current	-	-	1	mA	
Note:						
1. Guaranteed by characterization, not tested in production						

Table 8.4-4 Voltage Reference Character



Note: V_{REF_INT} is only supported while package includes V_{REF} pin with external capacitor.

Figure 8.4-1 Typical Connection With Internal Voltage Reference

8.4.5 Temperature Sensor

The maximum values are obtained for $V_{DD} = 1.8 \sim 5.5$ V and maximum ambient temperature (T_A), and the typical values for $T_A = 25$ °C and $V_{DD} = 3.3$ V unless otherwise specified.

Symbol	Parameter	Min	Typ	Max	Unit	Test Conditions
$V_{TEMP_OS}^{[1]}$	Temperature sensor offset voltage	645	675	705	mV	
$T_C^{[1]}$	Temperature Coefficient	1.74	1.83	1.9	mV/°C	$T_J = 25$ °C
$I_{TEMP}^{[1]}$	Temperature sensor operating current	-	16	30	μA	

Note:

1. Guaranteed by characterization, not tested in production
2. V_{TEMP} (mV) = T_C (mV/°C) x Temperature (°C) + V_{TEMP_OS} (mV)

Table 8.4-5 Temperature Sensor Character

8.4.6 LCD Controller

The maximum values are obtained for $V_{DD} = 3.6\text{ V}$ and maximum ambient temperature (T_A), and the typical values for $T_A = 25\text{ }^\circ\text{C}$ and $V_{DD} = 3.3\text{ V}$ unless otherwise specified.

Symbol	Parameter	Min	Typ	Max	Unit	Test Conditions
V_{DD}	Supply voltage	1.8	-	3.6	V	
V_{LCD}	LCD external pin voltage	1.8	-	5.5	V	
T_A	Temperature	0	-	85	$^\circ\text{C}$	
C_{LCD}	VLCD pin external pin capacitor ^[2]		0.1		μF	Withtout charge pump mode
		0.1		1		With charge pump mode
$C_{DH1-DH2}$	External charge-pump capacitor ^[2]	1		10	μF	The capacitor between DH1 and DH2
C_{VX}	V1/V2/V3 external capacitance	-	N/A	-	μF	
V_{LCDCP}	LCD internal Charge Pump Voltage Output Value	-	5.4	-	V	VCP_SEL[5:0]=000000
		-	5.2	-		VCP_SEL[5:0]=000101
		-	5.0	-		VCP_SEL[5:0]=001010
		-	4.8	-		VCP_SEL[5:0]=001110
		-	4.6	-		VCP_SEL[5:0]=010011
		-	4.4	-		VCP_SEL[5:0]=011000
		-	4.2	-		VCP_SEL[5:0]=011101
		-	4.0	-		VCP_SEL[5:0]=100010
		-	3.8	-		VCP_SEL[5:0]=100111
		-	3.6	-		VCP_SEL[5:0]=101100
		-	3.4	-		VCP_SEL[5:0]=110000
		-	3.2	-		VCP_SEL[5:0]=110101
		-	3.0	-		VCP_SEL[5:0]=111010
		-	2.8	-		VCP_SEL[5:0]=111111
$V_{3/4}$	COM/SEG 3/4 V_{LCD} (1/4 Bias)	-	$3/4 V_{LCD}$	-	V	
$V_{2/4}$	COM/SEG 2/4 V_{LCD} (1/4 Bias)	-	$2/4 V_{LCD}$	-	V	
$V_{1/4}$	COM/SEG 1/4 V_{LCD} (1/4 Bias)	-	$1/4 V_{LCD}$	-	V	
$V_{2/3}$	COM/SEG 2/3 V_{LCD} (1/3 Bias)	-	$2/3 V_{LCD}$	-	V	
$V_{1/3}$	COM/SEG 1/3 V_{LCD} (1/3 Bias)	-	$1/3 V_{LCD}$	-	V	
R_{R_MODE}	Resistor Mode total internal Resistor Value	-	240	-	K Ω	
R_{RE_MODE}	Resistor Enhance Mode total internal Resistor Value	-	6	-	M Ω	
$I_{LCD}^{[3]}$	Supply current from V_{DD} with built-in charge pump and buffer mode	-	18	-	μA	$V_{DD}=1.8, V_{LCD}=V_{CP}=3.2$, Buffer Mode, all LCD display on
			31			$V_{DD}=1.8, V_{LCD}=V_{CP}=3.2$, Resistor Mode, all LCD display on

Symbol	Parameter	Min	Typ	Max	Unit	Test Conditions
		-	5.5	-		$V_{DD}=1.8, V_{LCD}=V_{CP}=3.2$, Resistor Enhance Mode, all LCD display on
		-	24	-		$V_{DD}=3.3, V_{LCD}=V_{CP}=5.4$, Buffer Mode, all LCD display on
		-	1.8	-		$V_{DD}=1.8, V_{LCD}=V_{CP}=3.2$, Buffer Mode, all LCD display off
$I_{VLCD}^{[3]}$	Supply current from V_{LCD} without Built-In Charge Pump	-	7	-	μA	$V_{DD}=1.8, V_{LCD}=3.3$, Buffer Mode, all LCD display on
			14			$V_{DD}=1.8, V_{LCD}=3.3$, Resistor Mode, all LCD display on
			0.8			$V_{DD}=1.8, V_{LCD}=3.3$, Resistor Enhance Mode, all LCD display on
		-	9.2	-		$V_{DD}=1.8, V_{LCD}=5.4$, Buffer Mode, all LCD display on
		-	7	-		$V_{DD}=3.3, V_{LCD}=3.3$, Buffer Mode, all LCD display on
		-	9	-		$V_{DD}=1.8, V_{LCD}=5.4$, Buffer Mode, all LCD display off

Notes:

- All condition not special defined is guaranteed by design, not tested in production
- $C_{DH1-DH2}$ value should be $1/10 C_{LCD}$
- LCD COM/SEG is set to clock source is LIRC, 1/8 duty, 1/4 bias, type B 64 Hz frame rate, all pixels active, waveform, without LCD panel loading.

Table 8.4-6 LCD Digital Characteristics

LCD Voltage Source From Internal Charge Pump

Symbol	Parameter	LCD Status	V_{DD}	V_{LCD}	Typ.									Unit
					Buffer Mode			Resistor Mode			Resistor Enhance Mode			
					0	25	85	0	25	85	0	25	85	$^{\circ}C$
$I_{LCDCPPD}^{(LIRC)}$	VDD Supply Current in Power Down Mode with LIRC, VLCD source internal Charge Pump	LCD On	1.8V	3.2V	17	18	24	30	31	36	5.1	5.5	10	μA
			3.3V	3.2V	20	22	29	37	39	44	6	6.3	6	
				5.4V	22	24	31	49	52	58	7	7	6	
		LCD Off	1.8V	3.2V	1.6	1.6	5	1.6	1.6	5	1.6	1.6	5	
			3.3V	3.2V	1.8	2	5.7	1.8	2	5.7	1.8	2	5.7	
				5.4V	1.8	2	5.7	1.8	2	5.7	1.8	2	5.7	
$I_{LCDCPPD}^{(LXT)}$	VDD Supply Current in Power Down Mode with LXT, VLCD	LCD On	1.8V	3.2V	17	18	25	30	32	37	5.5	6	11	
			3.3V	3.2V	21	22	30	37	40	45	6	6.5	16	
				5.4V	22	24	32	50	52	59	7	7.5	17	

Symbol	Parameter	LCD Status	V _{DD}	V _{LCD}	Typ.									Unit
					Buffer Mode			Resistor Mode			Resistor Enhance Mode			
					0	25	85	0	25	85	0	25	85	°C
	source internal Charge Pump	LCD Off	1.8V	3.2V	1.6	1.6	5	1.6	1.6	5	1.6	1.6	5	
			3.3V	3.2V	1.8	2	5.7	1.8	2	5.7	1.8	2	5.7	
				5.4V	1.8	2	5.7	1.8	2	5.7	1.8	2	5.7	

Notes:

1. All condition not special defined is guaranteed by design, not tested in production
2. The values are obtained for TA= 25 °C and VDD = 3.3 V unless otherwise specified.
3. LCD COM/SEG is set as 1/8 duty, 1/4 bias, type B 64 Hz frame rate, all pixels active, without LCD panel loading.

Table 8.4-7 Current Consumption In Power Down Mode With LCD Voltage Source From Internal Charge Pump

LCD Voltage Source From AV_{DD}

Symbol	Parameter	LCD Status	V _{LCD} (AV _{DD})	Typ.									Unit
				Buffer Mode			Resistor Mode			Resistor Enhance Mode			
				0	25	85	0	25	85	0	25	85	°C
I _{LCDVDDP} D(LIRC)	VDD Supply Current in Power Down Mode with LIRC, VLCD source internal AVDD	LCD On	1.8V	6.2	6.8	13	9	9.2	13	2.1	2.4	6	μA
			3.3V	9	9.5	15	16	16.4	21	2.6	3	7	
		LCD Off	1.8V	5.2	6	11	8	8.3	12	1.2	1.4	5	
			3.3V	8	8.5	13.5	14.2	14.6	19	1.6	1.8	6	
I _{LCDVDDP} D(LXT)	VDD Supply Current in Power Down Mode with LXT, VLCD source internal AVDD	LCD On	1.8V	6.6	7.5	5.2	9.6	10	12.1	2.7	3	4.8	
			3.3V	9	10	6.2	16.8	14.5	19.2	3.2	3.5	5.8	
		LCD Off	1.8V	5.2	6	11	8	8.3	12	1.2	1.4	5	
			3.3V	8	8.5	13.5	14.2	14.6	19	1.6	1.8	6	

Notes:

1. All condition not special defined is guaranteed by design, not tested in production
2. The values are obtained for TA= 25 °C unless otherwise specified.
3. LCD COM/SEG is set to 1/8 duty, 1/4 bias, 128 Hz frame rate, all pixels active, type B waveform, no LCD panel loading.

Table 8.4-8 Current Consumption In Power Down Mode With LCD Voltage Source From AV_{DD}

LCD Voltage Source From External VLCD Pin

Symbol	Parameter	LCD Status	Typ.									Unit	
			V _{LCD}	Buffer Mode			Resistor Mode			Resistor Enhance Mode			°C
				0	25	85	0	25	85	0	25	85	
I _{LCDVLCDP} D(LIRC)	VLCD Supply Current in Power Down Mode with LIRC, VLCD source External VLCD pin	LCD On	3.3	6.5	7	9	13.5	14	15	0.7	0.8	1.2	μA
			5.4V	8.6	9.2	11	22	23	24	1.2	1.2	2	
		LCD Off	3.3V	6.5	7	8.5	14	14	14.5	0.5	0.6	1	
			5.4V	8.3	9	11	22	23	23.5	0.9	1	2	
I _{LCDVLCDP} D(LXT)	Supply Current in Power Down Mode with LXT, VLCD source External VLCD pin	LCD On	3.3	6.5	7	9	13.5	14	15	0.7	0.8	1.2	
			5.4V	8.6	9.2	11	22	23	24	1.2	1.2	2	
		LCD Off	3.3V	6.5	7	8.5	14	14	14.5	0.5	0.6	1	
			5.4V	8.3	9	11	22	23	23.5	0.9	1	2	

Notes:

1. All condition not special defined is guaranteed by design, not tested in production
2. The values are obtained for TA= 25 °C and VDD = 3.3 V unless otherwise specified.
3. LCD COM/SEG is set to 1/8 duty, 1/4 bias, 128 Hz frame rate, all pixels active, type B waveform, no LCD panel loading

Table 8.4-9 Current Consumption In Power Down Mode With LCD Voltage Source From External VLCD pin

8.5 Flash DC Electrical Characteristics

The devices are shipped to customers with the Flash memory erased.

Symbol	Parameter	Min	Typ	Max	Unit	Test Condition
V _{FLA} ^[1]	Supply voltage	1.62	1.8	1.98	V	T _A = 25°C
T _{ERASE}	Page erase time	-	5	-	ms	
T _{PROG}	Program time	-	10	-	μs	
I _{DD1}	Read current	-	4	-	mA	
I _{DD2}	Program current	-	4	-	mA	
I _{DD3}	Erase current	-	12	-	mA	
N _{ENDUR}	Endurance	100,000	-		cycles ^[2]	T _J = -40°C~125°C
T _{RET}	Data retention	50	-	-	year	100 kcycle ^[3] T _A = 55°C
		25	-	-	year	100 kcycle ^[3] T _A = 85°C
		10	-	-	year	100 kcycle ^[3] T _A = 105°C
Notes:						
1. V _{FLA} is source from chip internal LDO output voltage.						
2. Number of program/erase cycles.						
3. Guaranteed by design.						

Table 8.5-1 Flash Memory Characteristics

8.6 Absolute Maximum Ratings

Voltage Stresses above the absolute maximum ratings may cause permanent damage to the device. The limiting values are stress ratings only and cannot be used to functional operation of the device. Exposure to the absolute maximum ratings may affect device reliability and proper operation is not guaranteed.

8.6.1 Voltage Characteristics

8.6.1.1 ML51 32KB/16KB Flash Series

Symbol	Description	Min	Max	Unit
$V_{DD}-V_{SS}^{[1]}$	DC power supply	-0.3	6.5	V
ΔV_{DD}	Variations between different power pins	-	50	mV
$ V_{DD}-AV_{DD} $	Allowed voltage difference for V_{DD} and AV_{DD}	-	50	mV
ΔV_{SS}	Variations between different ground pins	-	50	mV
$ V_{SS}-AV_{SS} $	Allowed voltage difference for V_{SS} and AV_{SS}	-	50	mV
V_{IN}	Input voltage on I/O	$V_{SS}-0.3$	6.5	V

Notes:
 1. All main power (V_{DD} , AV_{DD}) and ground (V_{SS} , AV_{SS}) pins must be connected to the external power supply.

Table 8.6-1 ML51 32KB/16KB Flash Series Voltage Characteristics

8.6.1.2 ML51 64KB Flash/ML54/ML56 Series

Symbol	Description	Min	Max	Unit
$V_{DD}-V_{SS}^{[1]}$	DC power supply	-0.3	4.0	V
ΔV_{DD}	Variations between different power pins	-	50	mV
$ V_{DD}-AV_{DD} $	Allowed voltage difference for V_{DD} and AV_{DD}	-	50	mV
ΔV_{SS}	Variations between different ground pins	-	50	mV
$ V_{SS}-AV_{SS} $	Allowed voltage difference for V_{SS} and AV_{SS}	-	50	mV
V_{IN}	Input voltage on I/O	$V_{SS}-0.3$	3.6	V

Notes:
 2. All main power (V_{DD} , AV_{DD}) and ground (V_{SS} , AV_{SS}) pins must be connected to the external power supply.

Table 8.6-2 ML51 64KB Flash/ML54/ML56 Series Voltage Characteristics

8.6.2 Current Characteristics

Symbol	Description	Min	Max	Unit
$\Sigma I_{DD}^{[1]}$	Maximum current into V_{DD}	-	150	mA
ΣI_{SS}	Maximum current out of V_{SS}	-	150	
I_{IO}	Maximum current sunk by a I/O Pin	-	22	
	Maximum current sourced by a I/O Pin	-	10	
	Maximum current sunk by total I/O Pins ^[2]	-	100	
	Maximum current sourced by total I/O Pins ^[2]	-	100	
$I_{INJ(PIN)}^{[3]}$	Maximum injected current by a I/O Pin	-	±5	
$\Sigma I_{INJ(PIN)}^{[3]}$	Maximum injected current by total I/O Pins	-	±25	

Note:

- Maximum allowable current is a function of device maximum power dissipation.
- This current consumption must be correctly distributed over all I/Os and control pins. The total output current must not be sunk/sourced between two consecutive power supply pins.
- A positive injection is caused by $V_{IN} > A_{VDD}$ and a negative injection is caused by $V_{IN} < V_{SS}$. $I_{INJ(PIN)}$ must never be exceeded. It is recommended to connect an overvoltage protection diode between the analog input pin and the voltage supply pin.

Table 8.6-3 Current Characteristics

8.6.3 Thermal Characteristics

The average junction temperature can be calculated by using the following equation:

$$T_J = T_A + (P_D \times \theta_{JA})$$

- T_A = ambient temperature (°C)
- θ_{JA} = thermal resistance junction-ambient (°C/Watt)
- P_D = sum of internal and I/O power dissipation

Symbol	Description	Min	Typ	Max	Unit
T_A	Operating ambient temperature	-40	-	105	°C
T_J	Operating junction temperature	-40	-	125	
T_{ST}	Storage temperature	-65	-	150	
$\theta_{JA}^{[1]}$	Thermal resistance junction-ambient 10-pin MSOP(3x3 mm)	-	160	-	°C/Watt
	Thermal resistance junction-ambient 14-pin TSSOP(4.4x5 mm)	-	100	-	°C/Watt
	Thermal resistance junction-ambient 20-pin QFN(3x3 mm)	-	68	-	°C/Watt
	Thermal resistance junction-ambient 20-pin TSSOP(4.4x6.5 mm)	-	38	-	°C/Watt
	Thermal resistance junction-ambient 20-pin SOP(300mil)	-	60	-	°C/Watt
	Thermal resistance junction-ambient 28-pin TSSOP(4.4x9.7 mm)	-	30	-	°C/Watt
	Thermal resistance junction-ambient 28-pin SOP(300 mil)	-	55	-	°C/Watt
	Thermal resistance junction-ambient 32-pin LQFP(7x7 mm)	-	62	-	°C/Watt
	Thermal resistance junction-ambient 33-pin QFN(4x4 mm)	-	28	-	°C/Watt
	Thermal resistance junction-ambient 44-pin LQFP(10x10 mm)	-	49	-	°C/Watt
	Thermal resistance junction-ambient 48-pin LQFP(7x7 mm)	-	60	-	°C/Watt
Thermal resistance junction-ambient 64-pin LQFP(7x7 mm)	-	50	-	°C/Watt	
Note:					
1. Determined according to JESD51-2 Integrated Circuits Thermal Test Method Environment Conditions					

Table 8.6-4 Thermal Characteristics

8.6.4 EMC Characteristics

8.6.4.1 Electrostatic discharge (ESD)

For the Nuvoton MCU products, there are ESD protection circuits which built into chips to avoid any damage that can be caused by typical levels of ESD.

8.6.4.2 Static latchup

Two complementary static tests are required on six parts to assess the latchup performance:

- A supply overvoltage is applied to each power supply pin
- A current injection is applied to each input, output and configurable I/O pin

8.6.4.3 Electrical fast transients (EFT)

In some application circuit compoment will produce fast and narrow high-frequency trasnients bursts of narrow high-frequency transients on the power distribution system..

- Inductive loads:
 - Relays, switch contactors
 - Heavy-duty motors when de-energized etc.

The fast transient immunity requirements for electronic products are defined in IEC 61000-4-4 by International ElectrotechnicalCommission (IEC).

8.6.4.4 EMC Character Table

ML51 32KB/16KB Flash Series

Symbol	Description	Min	Typ	Max	Unit
V _{HBM} ^[1]	Electrostatic discharge,human body mode	-8000	-	+8000	V
V _{CDM} ^[2]	Electrostatic discharge,charge device model	-1000	-	+1000	
LU ^[3]	Pin current for latch-up ^[3] @V _{DD} = 5.5V	-150	-	+150	mA
V _{EFT} ^{[4][5]}	Fast transient voltage burst	-4.4	-	+4.4	kV

Notes:

1. Determined according to ANSI/ESDA/JEDEC JS-001 Standard, Electrostatic Discharge Sensitivity Testing – Human Body Model (HBM) – Component Level
2. Determined according to ANSI/ESDA/JEDEC JS-002 standard for Electrostatic Discharge Sensitivity (ESD) Testing – Charged Device Model (CDM) – Component Level.
3. Determined according to JEDEC EIA/JESD78 standard.
4. Determined according to IEC 61000-4-4 Electrical fast transient/burst immunity test.
5. The performace cretia class is 4A.

Table 8.6-5 ML51 32KB/16KB Flash Series EMC Characteristics

ML51 64KB Flash/ML54/ML56 Series

Symbol	Description	Min	Typ	Max	Unit
V _{HBM} ^[1]	Electrostatic discharge,human body mode	-7000	-	+7000	V
V _{CDM} ^[2]	Electrostatic discharge,charge device model	-1000	-	+1000	
LU ^[3]	Pin current for latch-up ^[3] @V _{DD} = 3.6V	-200	-	+200	mA

Symbol	Description	Min	Typ	Max	Unit
$V_{EFT}^{[4][5]}$	Fast transient voltage burst	-4.4	-	+4.4	kV
Notes: <ol style="list-style-type: none"> 1. Determined according to ANSI/ESDA/JEDEC JS-001 Standard, Electrostatic Discharge Sensitivity Testing – Human Body Model (HBM) – Component Level 2. Determined according to ANSI/ESDA/JEDEC JS-002 standard for Electrostatic Discharge Sensitivity (ESD) Testing – Charged Device Model (CDM) – Component Level. 3. Determined according to JEDEC EIA/JESD78 standard. 4. Determined according to IEC 61000-4-4 Electrical fast transient/burst immunity test. 5. The performance criteria class is 4A. 					

Table 8.6-6 ML51 64KB Flash/ML54/ML56 Series EMC Characteristics

8.6.5 Package Moisture Sensitivity(MSL)

The MSL rating of an IC determines its floor life before the board mounting once its dry bag has been opened. All Nuvoton surface mount chips have a moisture level classification. The information is also displayed on the bag packing.

Pacakge	MSL
10-pin MSOP(3x3 mm) ^[1]	MSL 3
14-pin TSSOP(4.4x5 mm) ^[1]	MSL 3
20-pin QFN(3x3 mm) ^[1]	MSL 3
20-pin TSSOP(4.4x6.5 mm) ^[1]	MSL 3
20-pin SOP(300mil) ^[1]	MSL 3
28-pin TSSOP(4.4x9.7 mm) ^[1]	MSL 3
28-pin SOP(300 mil) ^[1]	MSL 3
32-pin LQFP(7x7 mm) ^[1]	MSL 3
33-pin QFN(4x4 mm) ^[1]	MSL 3
44-pin LQFP(10x10 mm)	MSL 3
48-pin LQFP(7x7 mm) ^[1]	MSL 3
64-pin LQFP(7x7 mm) ^[1]	MSL 3
Note:	
1. Determined according to IPC/JEDEC J-STD-020	

Table 8.6-7 Package Moisture Sensitivity(MSL)

8.6.6 Soldering Profile

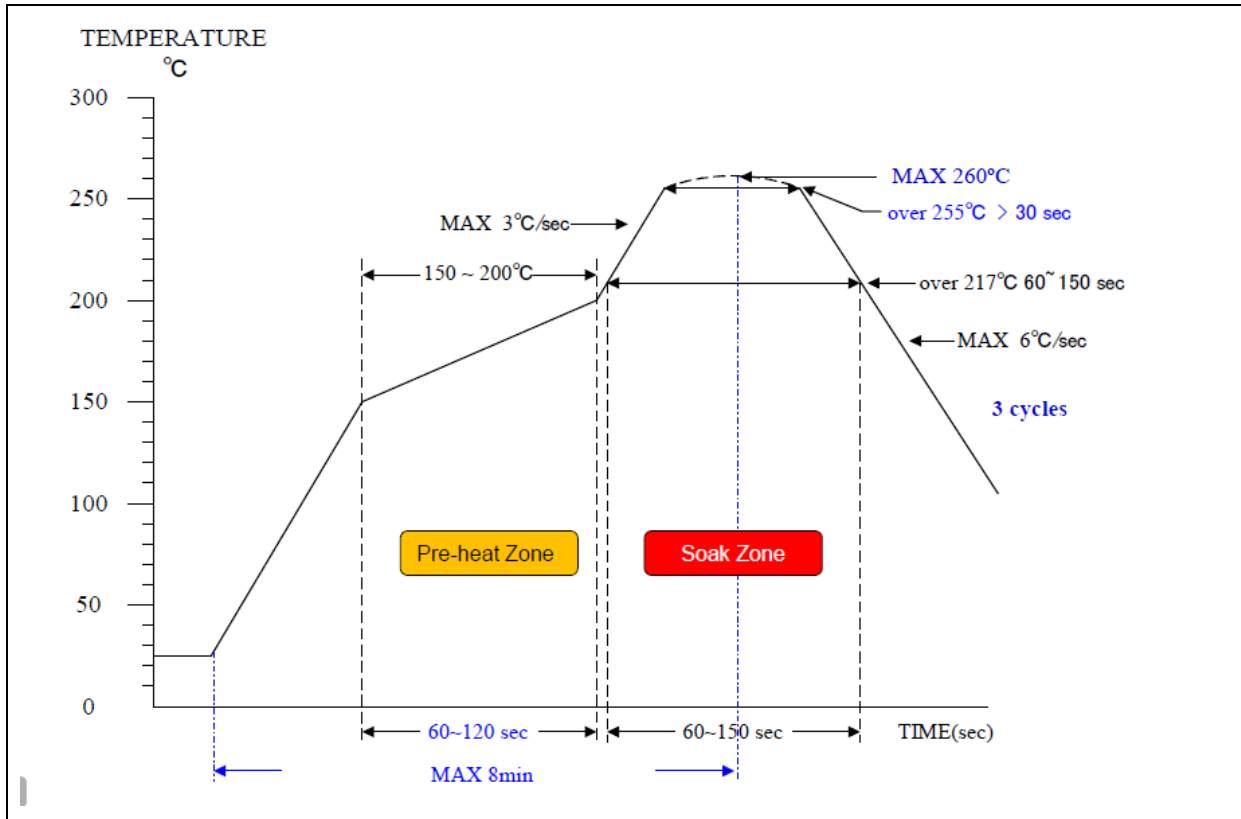


Figure 8.6-1 Soldering Profile From J-STD-020C

Porfile Feature	Pb Free Package
Average ramp-up rate (217°C to peak)	3°C/sec. max
Preheat temperature 150°C ~200°C	60 sec. to 120 sec.
Temperature maintained above 217°C	60 sec. to 150 sec.
Time with 5°C of actual peak temperature	> 30 sec.
Peak temperature range	260°C
Ramp-down rate	6°C/sec ax.
Time 25°C to peak temperature	8 min. max
Note:	
1. Determined according to J-STD-020C	

Table 8.6-8 Soldering Profile

9 PACKAGE DIMENSIONS

9.1 LQFP 64L-pin (7.0 x 7.0 x 1.4 mm)

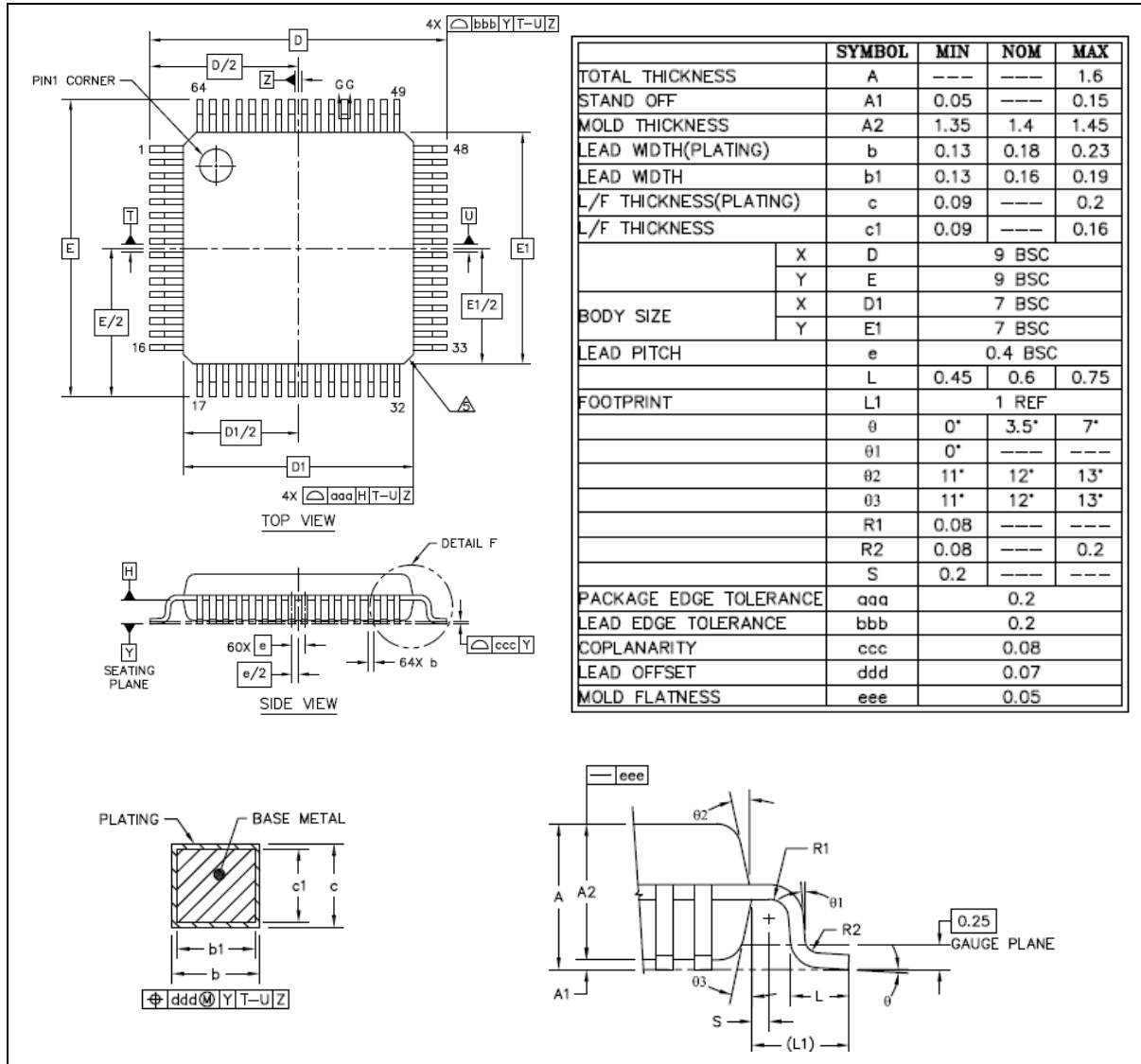


Figure 9.1-1 LQFP 64L Package Dimension

9.2 LQFP 48-pin (7.0 x 7.0 x 1.4 mm)

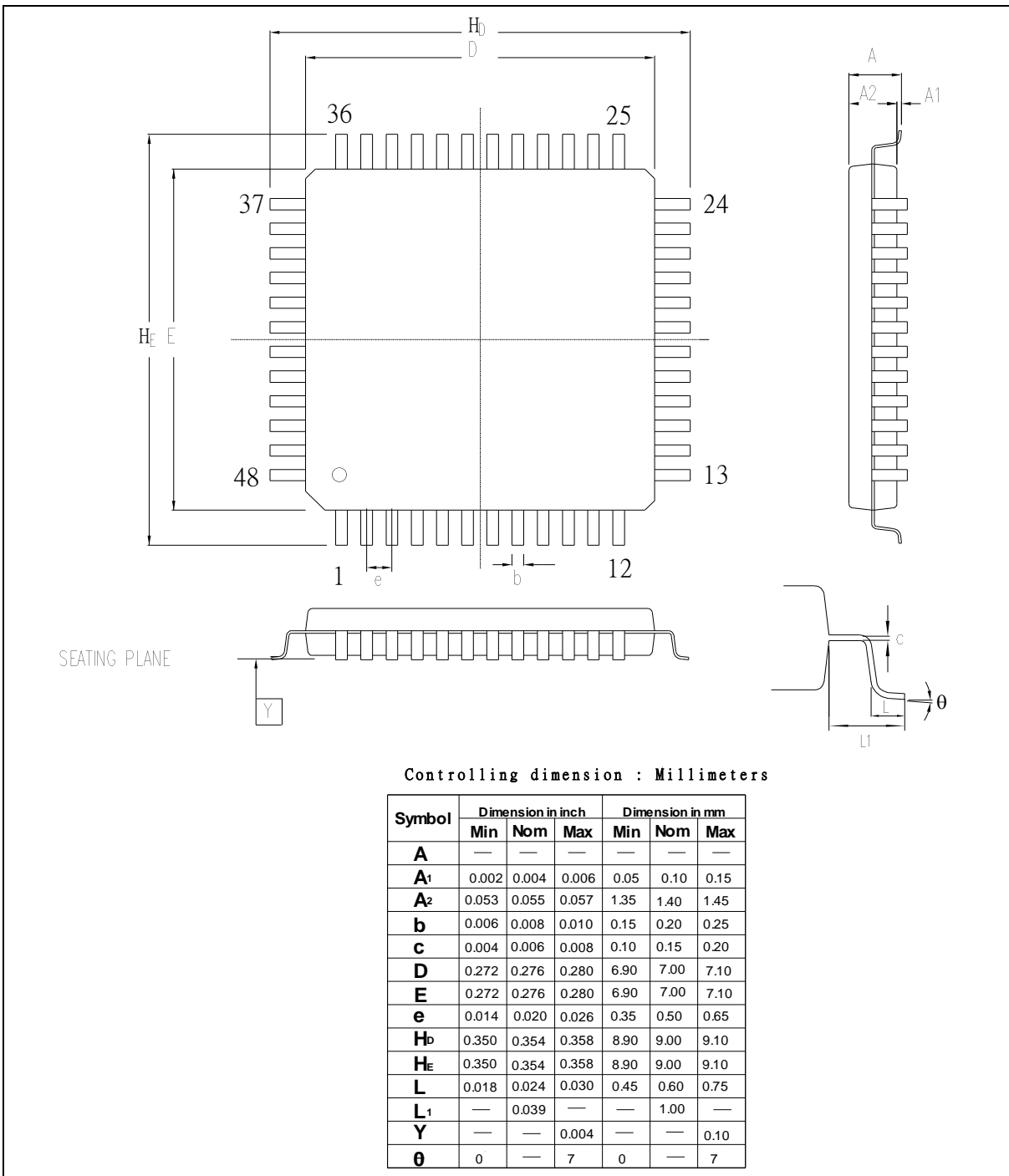


Figure 9.2-1 LQFP-48 Package Dimension

9.3 LQFP 44-pin (10 x 10 x 1.4mm)

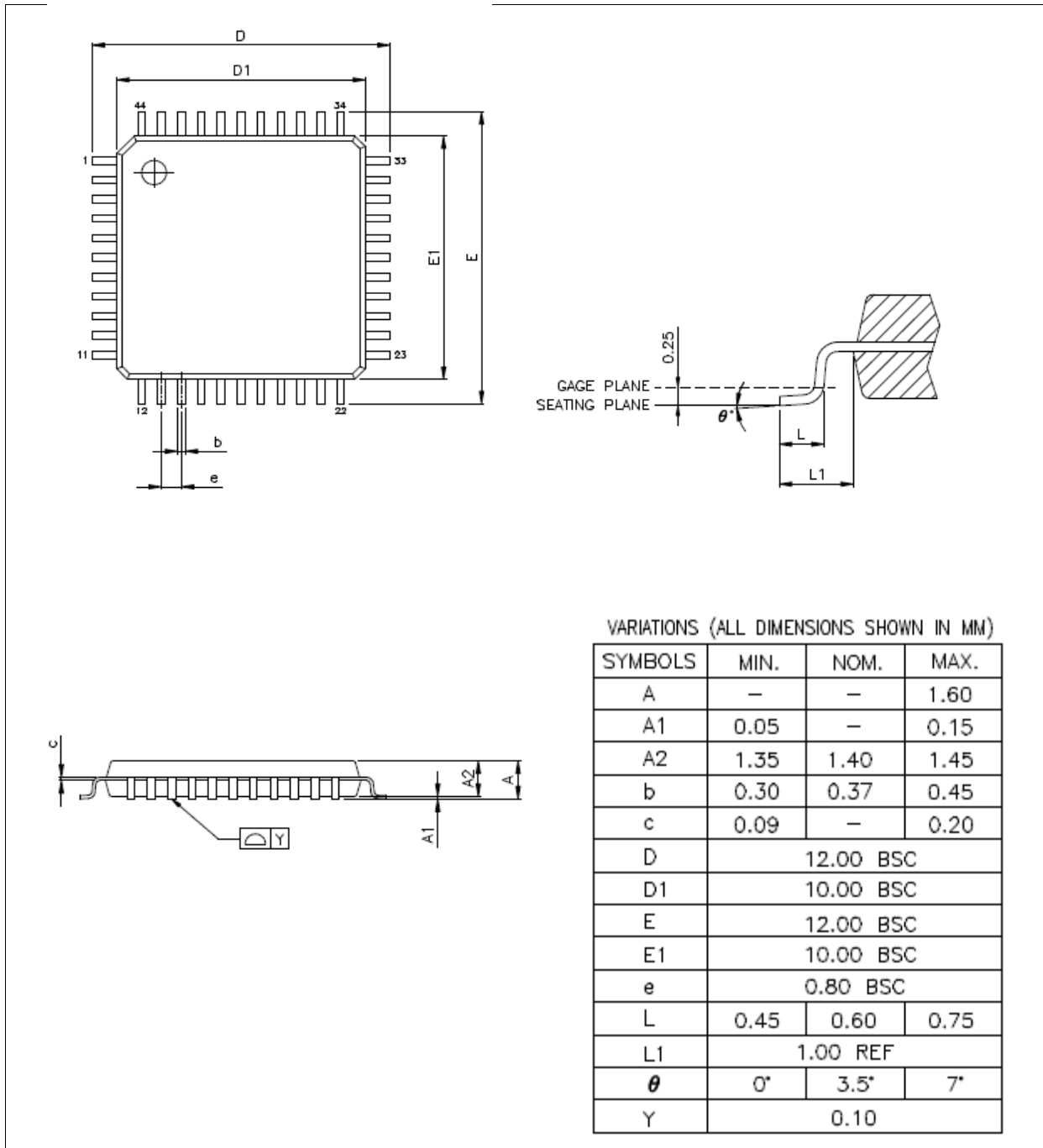


Figure 9.3-1 LFP44 Package Dimension

9.4 QFN 33-pin (4.0 x 4.0 x 0.8 mm)

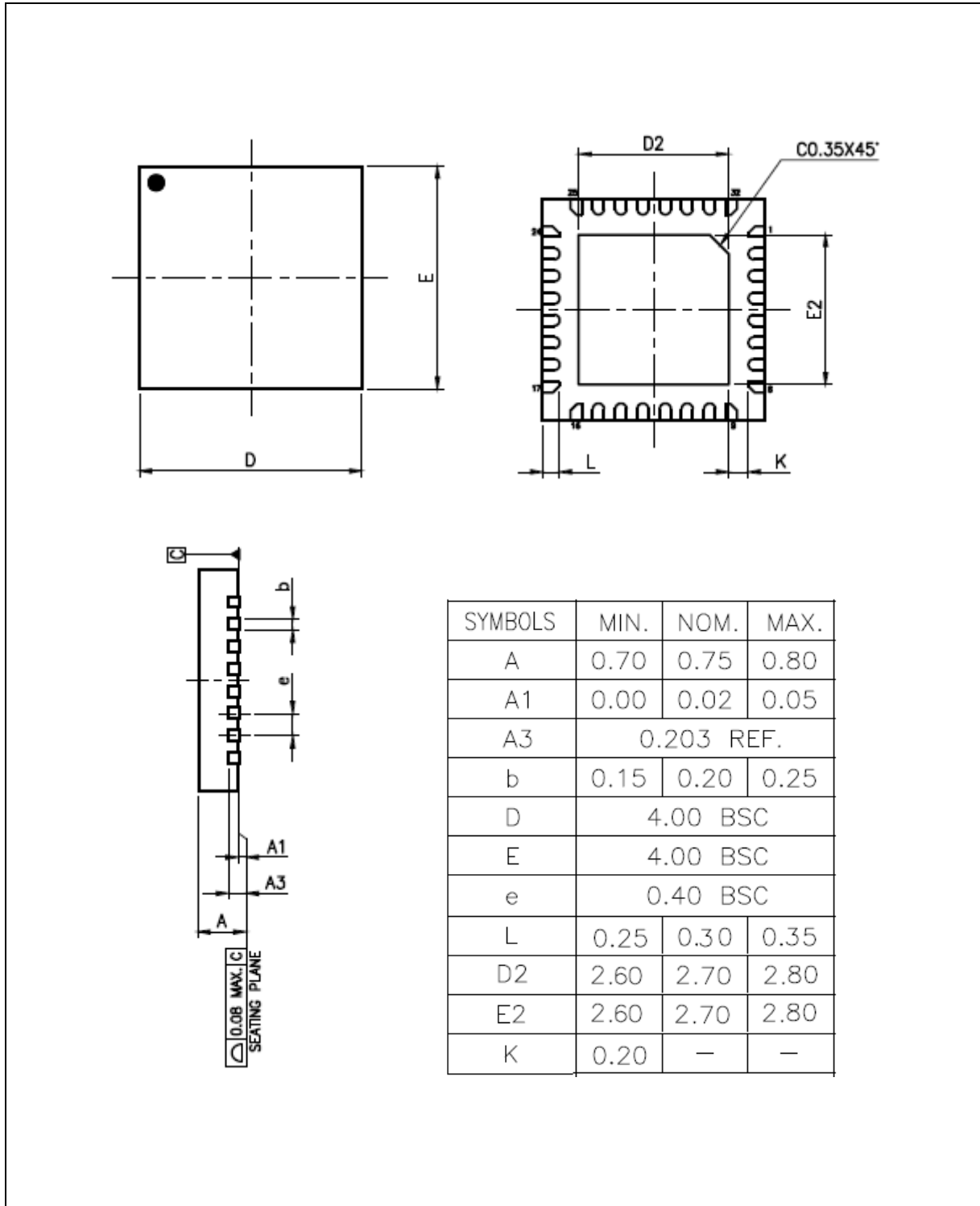


Figure 9.4-1 QFN-33 Package Dimension

9.5 LQFP 32-pin (7.0 x 7.0 x 1.4 mm)

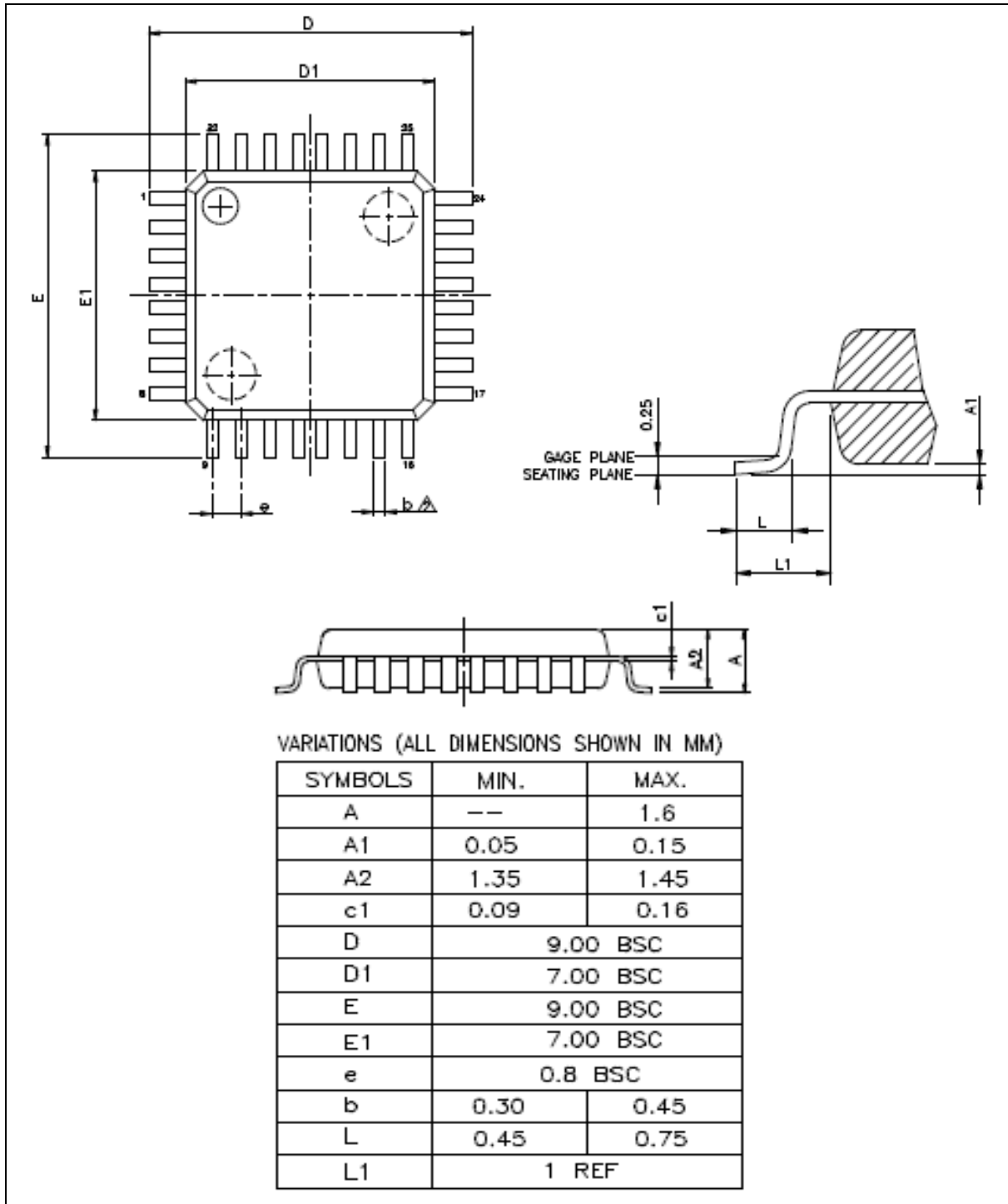


Figure 9.5-1 LQFP-32 Package Dimension

9.6 TSSOP 28-pin (4.4 x 9.7 x 1.0 mm)

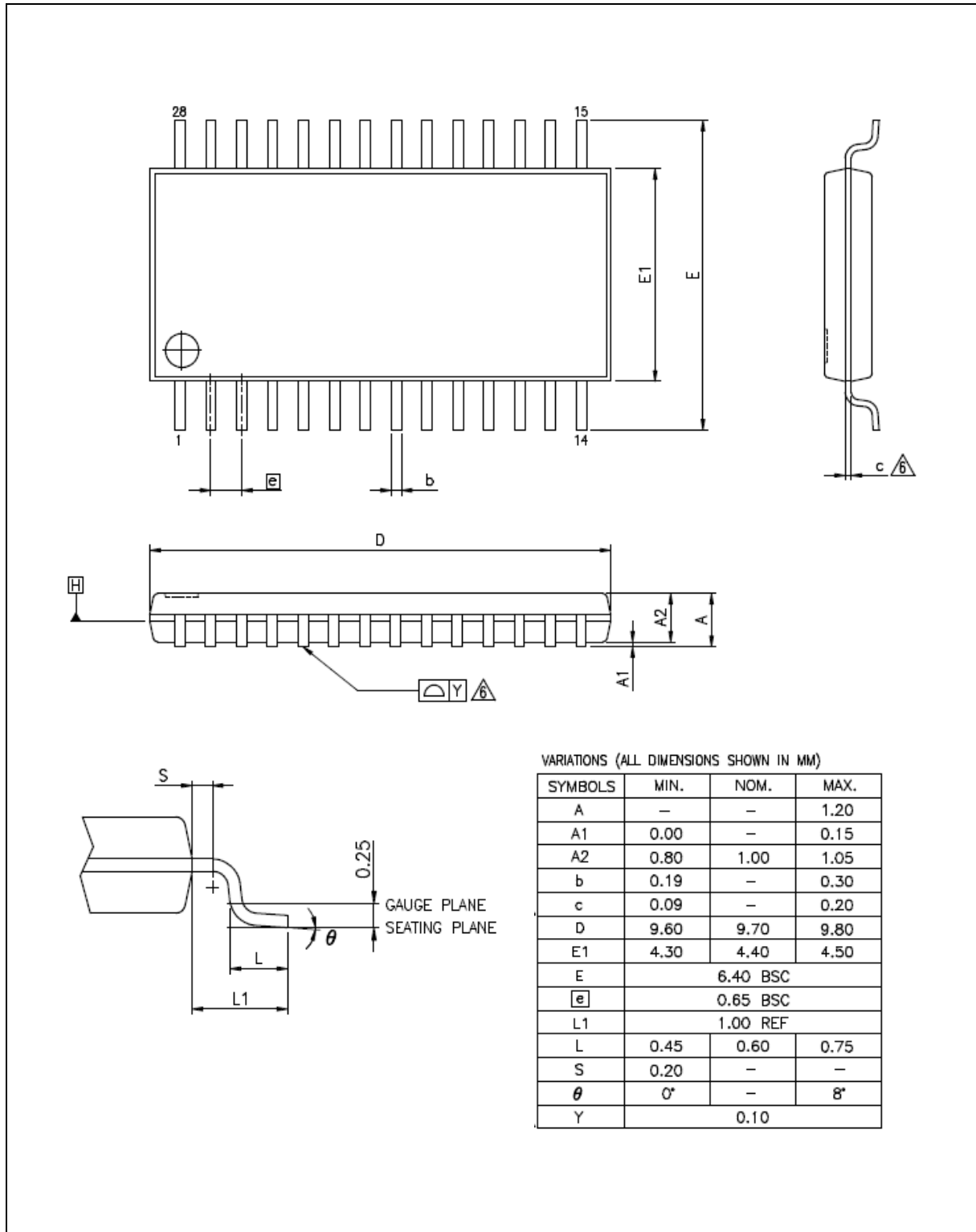


Figure 9.6-1 TSSOP-28 Package Dimension

9.7 SOP 28-pin (300mil)

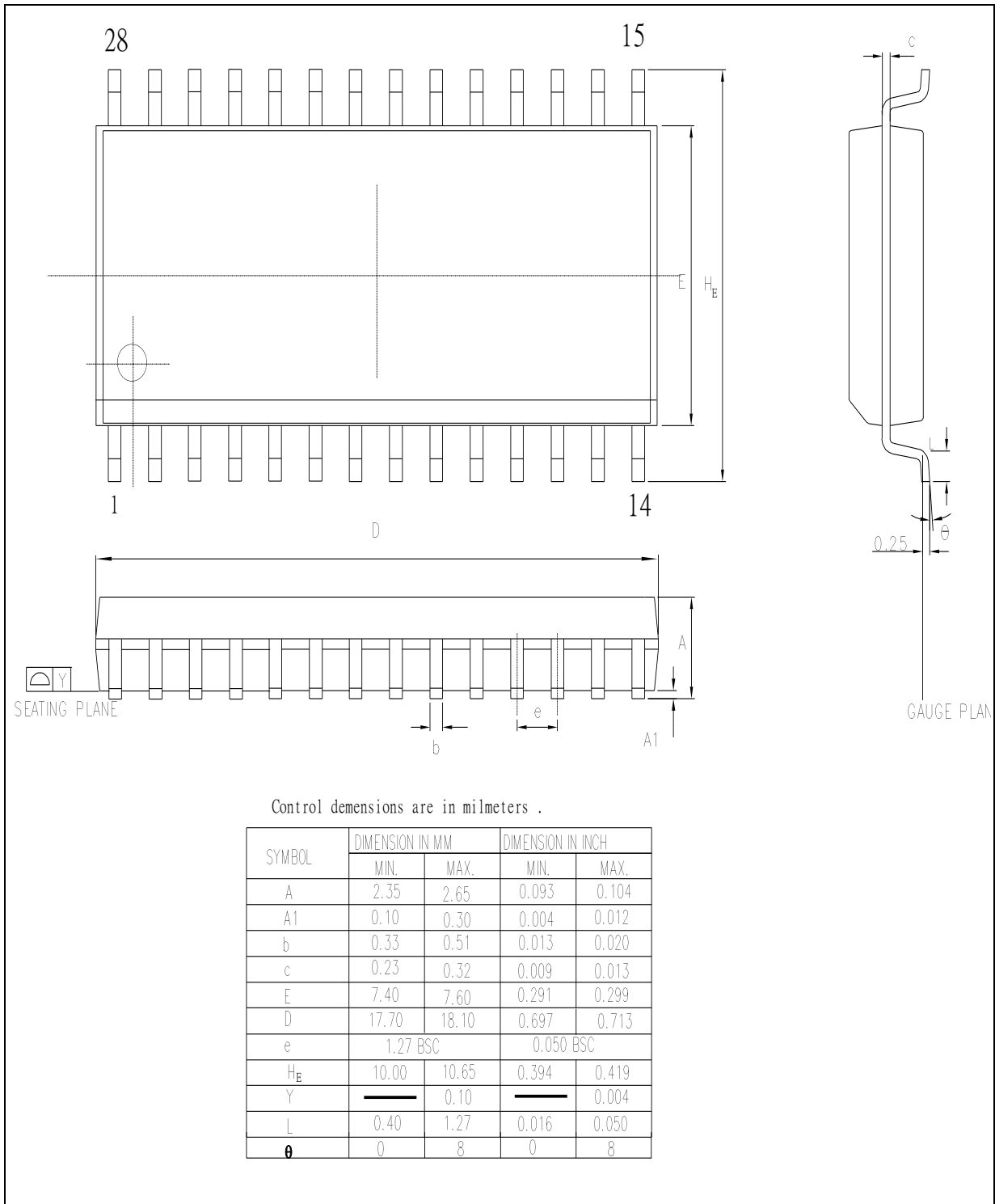


Figure 9.7-1 SOP-28 Package Dimension

9.8 TSSOP 20-pin (4.4 x 6.5 x 0.9 mm)

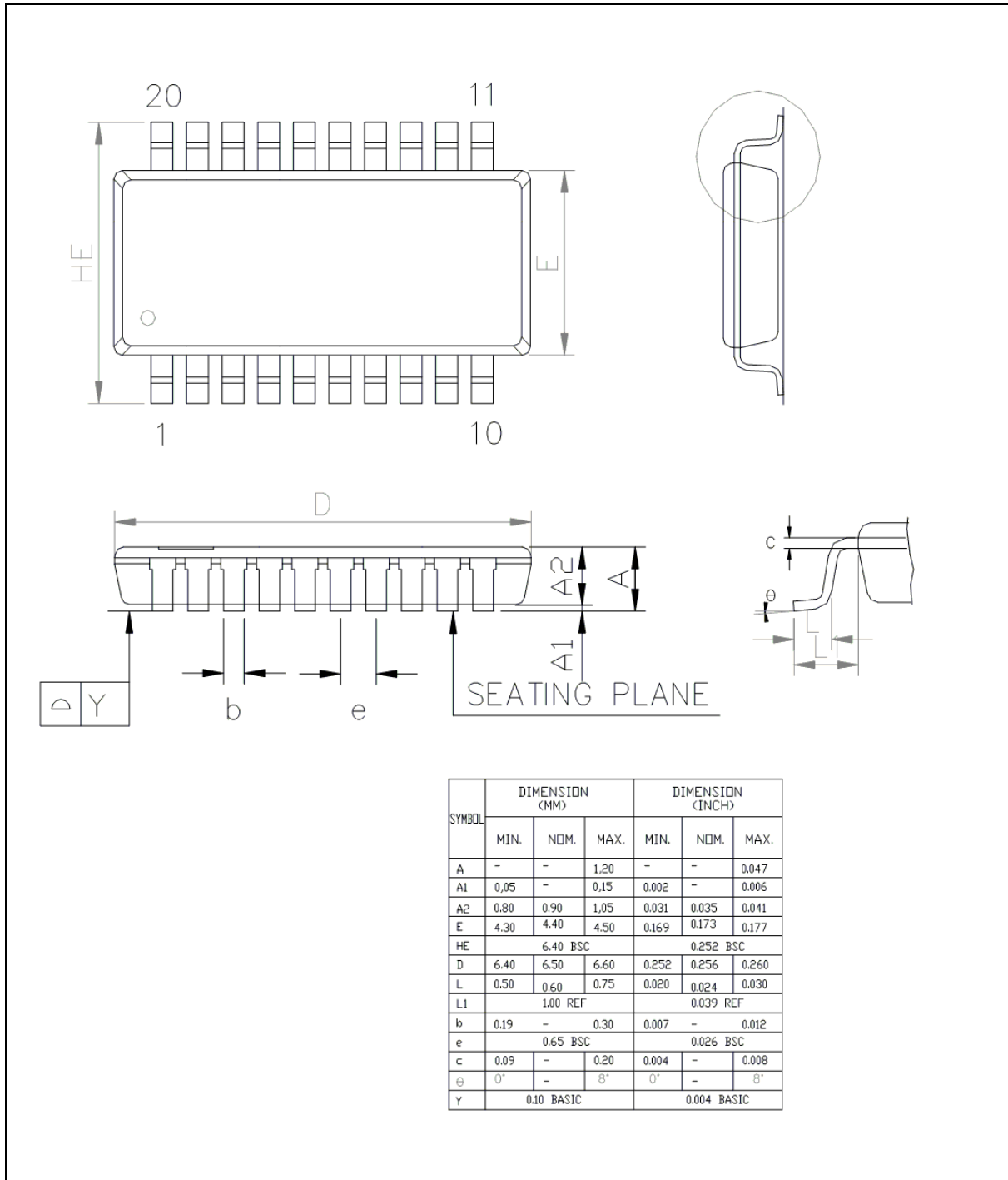


Figure 9.8-1 TSSOP-20 Package Dimension

9.9 SOP 20-pin (300 mil)

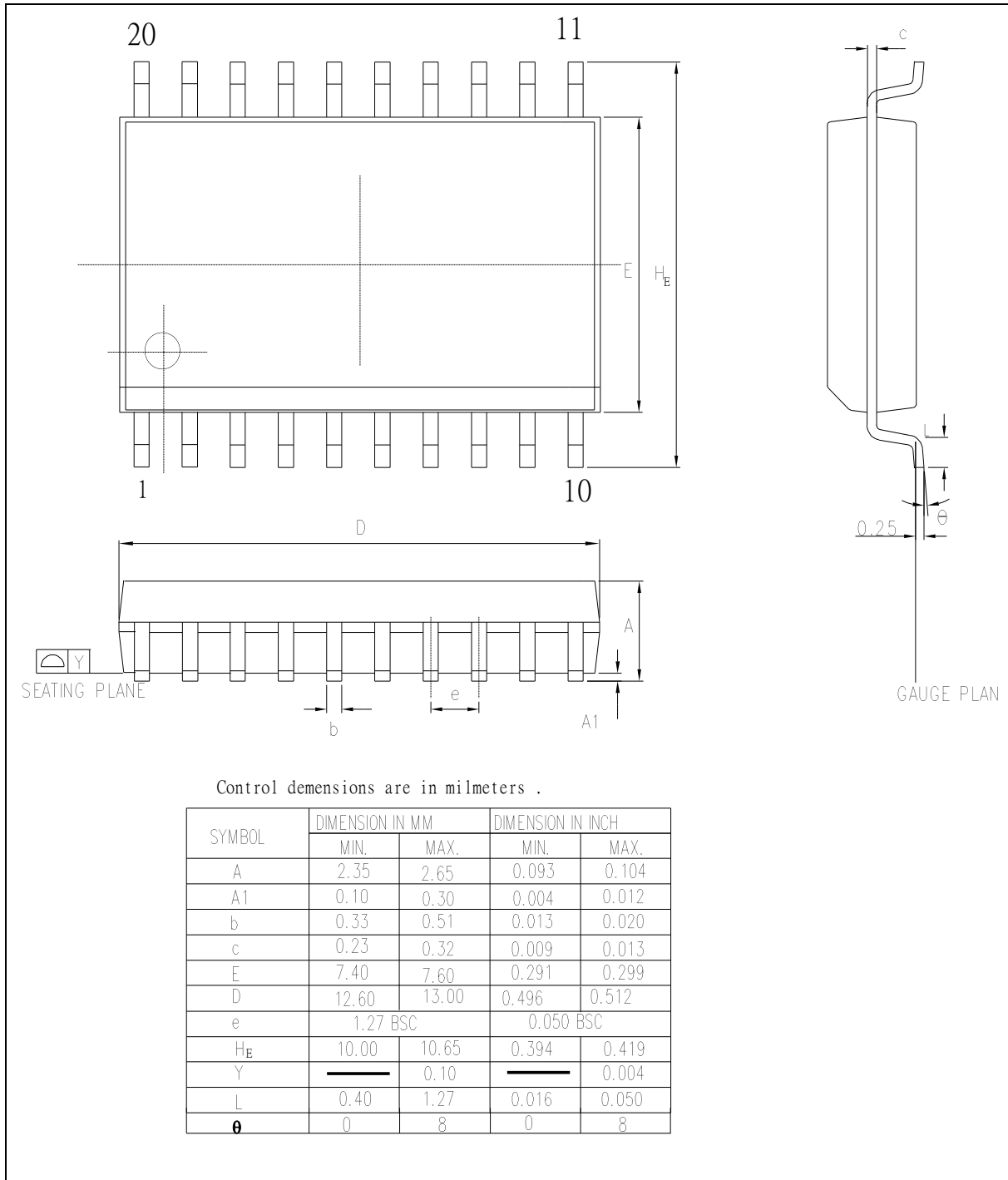


Figure 9.9-1 SOP-20 Package Dimension

9.10 QFN 20-pin (3.0 x 3.0 x 0.8 mm)

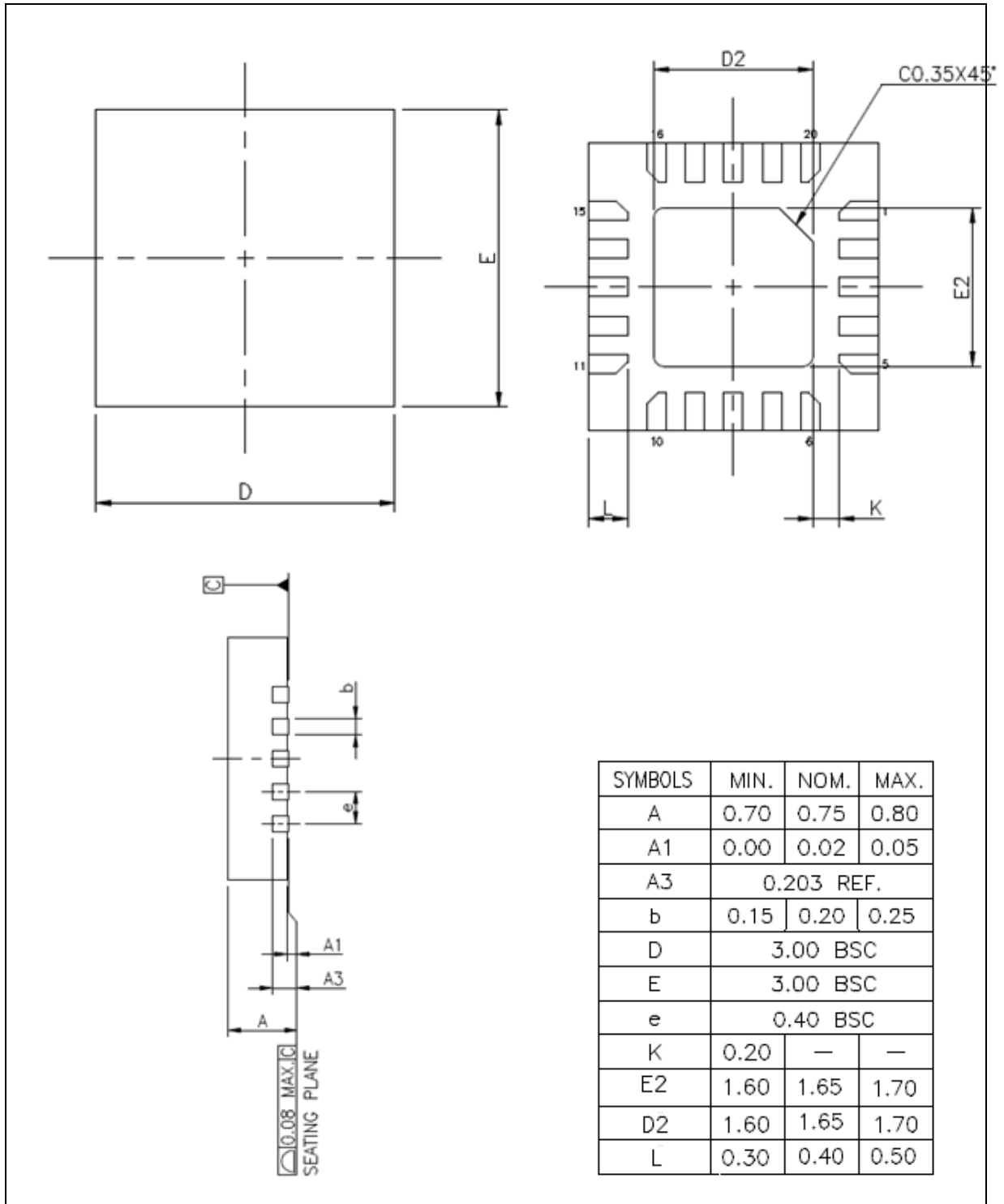


Figure 9.10-1 QFN-20 Package Dimension

9.11 TSSOP 14-pin (4.4 x 5.0 x 0.9 mm)

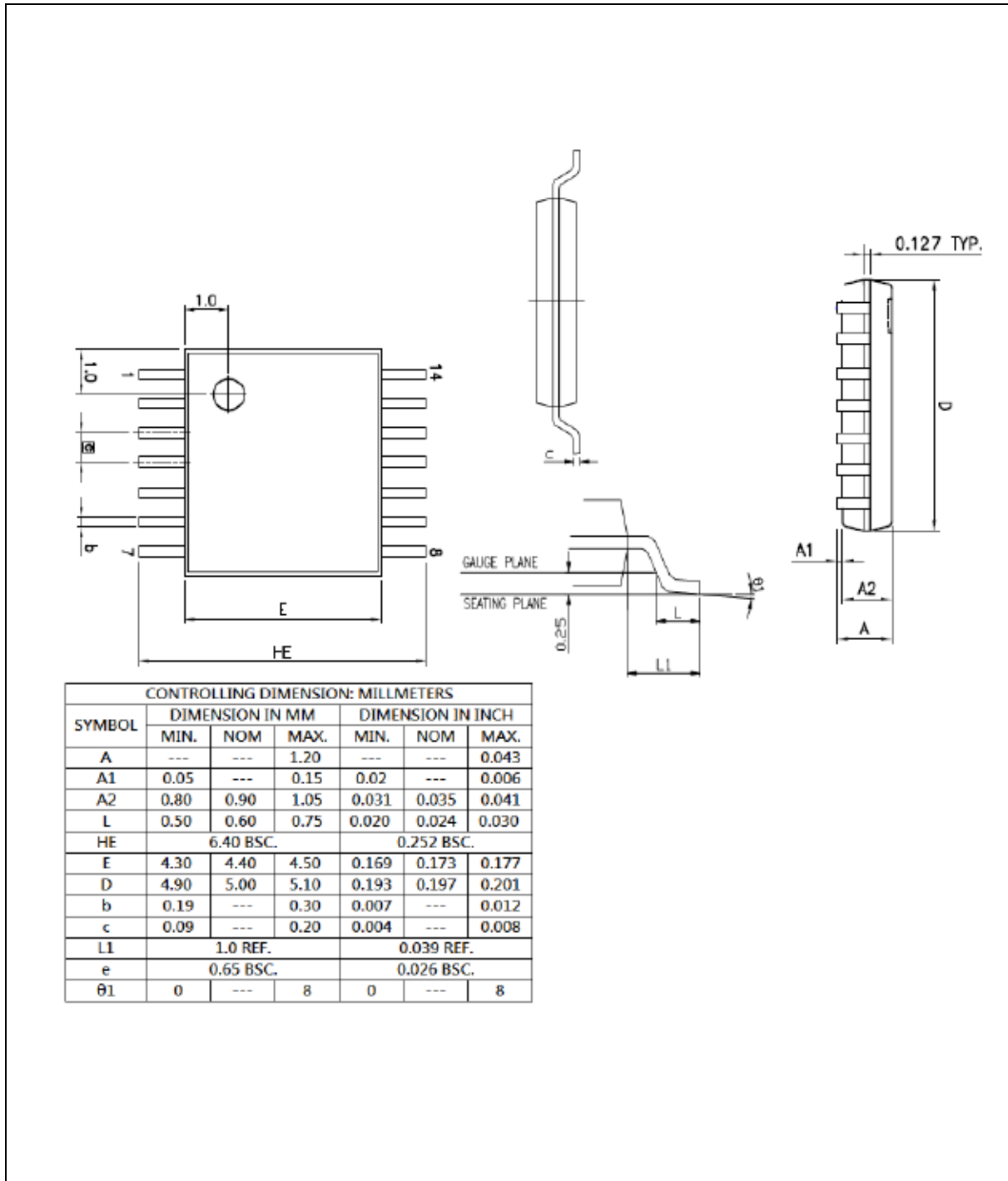


Figure 9.11-1 TSSOP-14 Package Dimension

9.12 MSOP 10-pin (3.0 x 3.0 x 0.85 mm)

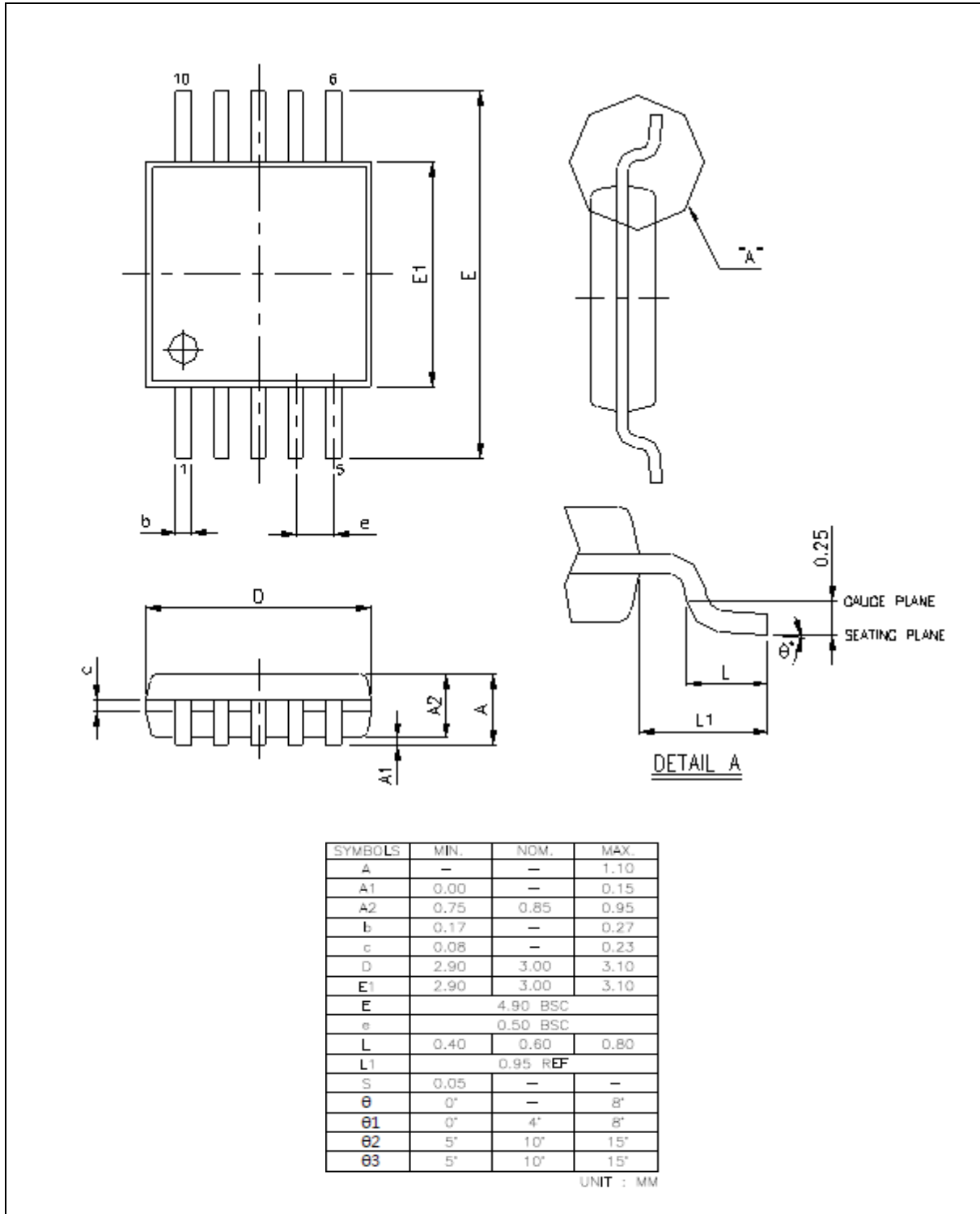


Figure 9.12-1 MSOP-10 Package Dimension

10 ABBREVIATIONS

10.1 Abbreviations

Acronym	Description
ADC	Analog-to-Digital Converter
BOD	Brown-out Detection
GPIO	General-Purpose Input/Output
Fsys	Frequency of system clock
HIRC	12 MHz Internal High Speed RC Oscillator
IAP	In Application Programming
ICP	In Circuit Programming
ISP	In System Programming
LCD	Liquid Crystal Displays
LDO	Low Dropout Regulator
LIRC	10 kHz internal low speed RC oscillator (LIRC)
LVR	Low Voltage \$eset
PDMA	Peripheral Direct Memory Access
POR	Power On Reset
PWM	Pulse Width Modulation
RTC	Real Time Clock
SPI	Serial Peripheral Interface
TK	Touch Key
UART	Universal Asynchronous Receiver/Transmitter
UCID	Unique Customer ID
WKT	Wakeup Timer
WDT	Watchdog Timer

Table 10.1-1 List of Abbreviations

11 REVISION HISTORY

Date	Revision	Description
2018.12.05	1.00	Initial release.
2019.09.03	1.01	Section 3.1 Added package type table.
		Section 4.2.2 Added Multi-function summary table.
		Section 6.2 Added ICP connect circuit.
		Section 7.2.4 Modified I _{SR} value.
		Section 7.3 Removed 32.768kHz external clock input and deviation figure.
		Section 7.4.1 Modified POR/LVR/BOD operating current value.
		Section 7.6.1 Modified DC power supply item.
2020.03.11	1.02	Section 8.6 Modified TSSOP20 package dimension in title.
		Section 37.6 Modified TSSOP20 package value.
		Section 6.2 Added note in application circuit.
		Section 7.4.2 Added R _S and C _{IN} value in table.
2020.06.29	1.03	Section 7.4.4 Added section 7.4.4. Moved internal voltage character table to this section.
		Chapter 8.1 Modified QFN33 package L value to 0.3.
		Chapter 7.6.2 Modified Maximum current to 150mA
		Chapter 7.6.4 Modified Pin current for latch-up value to 150mA . Modified Fast transient voltage burst value to 4.4kV.
2020.09.01	2.00	Chapter 7.4.2 Modified ADC conversion rate and sampling timing description.
		Added ML51 64KB/ML54/ML56 Series description.

Important Notice

Nuvoton Products are neither intended nor warranted for usage in systems or equipment, any malfunction or failure of which may cause loss of human life, bodily injury or severe property damage. Such applications are deemed, "Insecure Usage".

Insecure usage includes, but is not limited to: equipment for surgical implementation, atomic energy control instruments, airplane or spaceship instruments, the control or operation of dynamic, brake or safety systems designed for vehicular use, traffic signal instruments, all types of safety devices, and other applications intended to support or sustain life.

All Insecure Usage shall be made at customer's risk, and in the event that third parties lay claims to Nuvoton as a result of customer's Insecure Usage, customer shall indemnify the damages and liabilities thus incurred by Nuvoton.

*Please note that all data and specifications are subject to change without notice.
All the trademarks of products and companies mentioned in this datasheet belong to their respective owners.*

X-ON Electronics

Largest Supplier of Electrical and Electronic Components

Click to view similar products for [32-bit Microcontrollers - MCU category](#):

Click to view products by [Nuvoton manufacturer](#):

Other Similar products are found below :

[MCF51AC256AVFUE](#) [MCF51AC256BCFUE](#) [MCF51AC256BVFUE](#) [MB91F464AAPMC-GSE2](#) [R5S726B0D216FP#V0](#) [MB91F248PFV-GE1](#) [MB91243PFV-GS-136E1](#) [SAK-TC1782F-320F180HR BA](#) [TC364DP64F300WAAKXUMA1](#) [R5F566NNDDFP#30](#)
[R5F566NNDDFC#30](#) [R5F566NNDDBD#20](#) [MC96F8216ADBN](#) [A96G181HDN](#) [A96G140KNN](#) [A96G174FDN](#) [A31G213CL2N](#)
[A96G148KNN](#) [A96G174AEN](#) [AC33M3064TLBN-01](#) [V3s](#) [T3](#) [A40i-H](#) [V526](#) [A83T](#) [R11](#) [V851s](#) [A133](#) [V833](#) [F1C100S](#) [T3L](#) [T507](#) [A33](#)
[A63](#) [T113-i](#) [H616](#) [V853](#) [V533](#) [R16-J](#) [V536-H](#) [A64-H](#) [V831](#) [V3LP](#) [T113-S3](#) [F1C200S](#) [F133-A](#) [R128-S2](#) [D1-H](#) [ADUCM360BCPZ128-TR](#)
[APT32S003F8PT](#)