

## NPCA110B Audio Enhancing Engine and CODEC

### General Description

The Nuvoton NPCA110B device is a member of Nuvoton's Sound Enhancing family optimized for low cost TV, portable devices such as docking stations for MP3-players and mobile phones, Multi-Media speakers, PC monitor speakers and Boom boxes.

The NPCA110B integrates Waves® MaxxAudio-3 Lite sound enhancement algorithms. These are proprietary, patented, psychoacoustic algorithms that compensate for the acoustic limitations of small CE devices.

MaxxAudio-3 Lite algorithms enable reproduction of rich content, with a wide dynamic range and a full frequency range, on a limited audio system. For low-frequency reproduction, MaxxBass® uses a patented psychoacoustic technique to create a perceived low bass, which can be extended up to 1.5 octaves lower than the original. This technique reproduces full and rich sounding bass tones. Power handling is done by MaxxVolume®, which utilizes the power amplifiers and speakers to their full extent yet avoids clipping and distortion.

The MaxxAudio-3 Lite software suite provides an additional algorithm to design a resonance-free audio system: MaxxEQ provides a flexible equalizer with 10 bands.




The NPCA110B enables digital control over the volume and bass, replacing traditional analog potentiometers.

The Maxx family of devices includes:

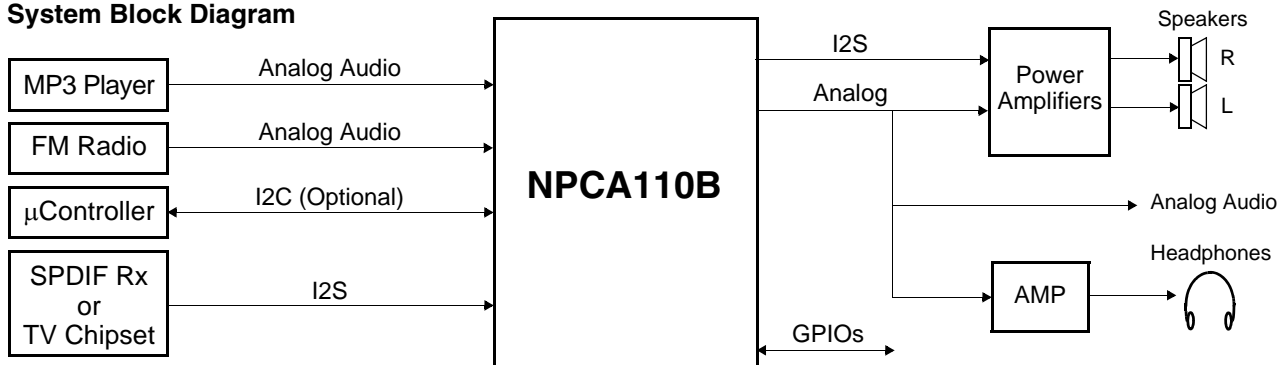
- High-performance, 24-bit audio enhancing engine pre-programmed with Waves MaxxAudio-3 Lite algorithms
- Optional Audio ADC
- Optional Audio DAC
- Digital I/O and other features for high-performance audio systems

The MaxxAudio Graphical User Interface (GUI) enables sound engineers to easily tune the device and customize presettings for different audio products.

### Outstanding Features

- Improves audio quality for low-performance speakers
- System-level BOM savings
- Stereo operation
- I2C controlled
- 24-bit accuracy
- Audio algorithms
  -  **MAXXBASS®**
  -  **MAXXEQ**
  -  **MAXXVOLUME®**
- Audio input
  - One I2S or Synchronous Serial Interface (SSI) input
  - Up to two stereo analog inputs: typical SNR of 90 dB; typical THD of -75 dB
- Audio output
  - One I2S or SSI output
  - Two analog outputs: typical SNR of 96 dB; typical THD of -86 dB
- Several General-Purpose digital signals available to the application (GPIOs)
- Typical operational power target of less than 0.15W
- Power-down target of less than 0.5 mW
- 3.3V operation

### System Block Diagram



## Features

### Bus Interfaces

- Synchronous Serial Interface (SSI)
  - Compatible with I2S
  - Master and slave timing support
- I2C Interface
  - Compliant with *I2C-BUS Specification Revision 1.0, 1992*
  - Master or slave interface
  - Supports 7-bit address mode

### Audio Enhancing Engine

- Processing Unit
  - 24-bit accuracy
  - 90 MIPs

### Audio Algorithms

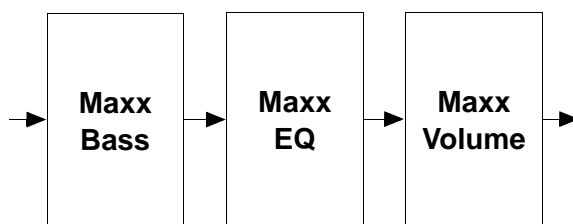
- Sample frequency of 44.1 KHz or 48 KHz supported
- MaxxBass®
  - Patented Waves MaxxBass psycho-acoustic bass extension delivers a more natural sound than traditional bass boost technologies, which use EQ and can overpower your system. MaxxBass analyzes low frequencies to create harmonics that are perceived as lower, deeper tones.
- MaxxEQ
  - MaxxEQ provides the ability to design EQ curves and shape sound with surgical precision, using up to 10 programmable filters with bell, shelf, low pass, and high pass, plus adjustable frequency, gain, and Q parameters. MaxxEQ's intuitive Graphic User Interface makes click-and-drag filter design fast and easy.

- MaxxVolume®
  - MaxxVolume is an all-in-one volume control, with High-Level Compression to increase RMS levels, Low-Level Compression to increase the clarity of soft sounds, Noise Gating to eliminate signal and system noise, and Leveling to smooth out volume levels.

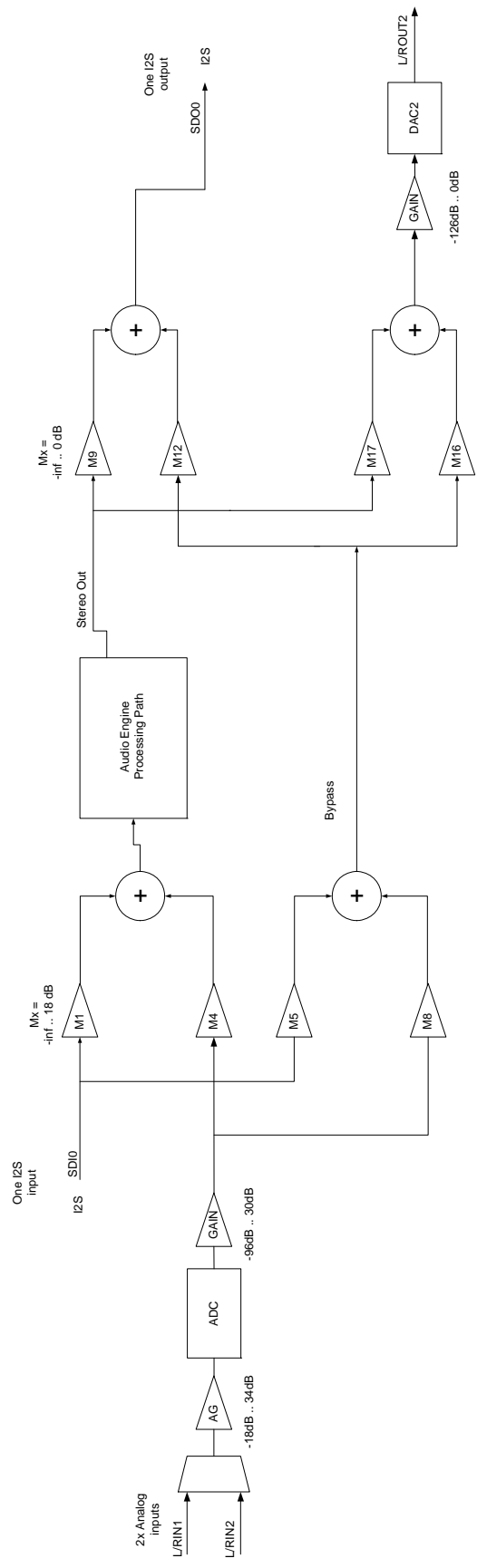
### Straps, Clocks, Supply and Package Information

- Strap Input Controlled Operating Modes
  - PLL reference clock select (REF strap)
  - Test mode select (nTEST strap)
  - I2C master or slave select (I2CMS strap)
  - Boot options
    - ROM code operation
    - Loadable algorithms for new functions or ROM code patching
- Input Clocks
  - SSI / I2S clock: 64 x sample frequency
  - Optional crystal oscillator or input clock
- Power Supply
  - 3.3V supply operation
- Power-Save Modes
  - Clock switch to a lower frequency
  - WAIT state (clock stopped)
  - PLL power-down
- Package
  - 5 x 5 mm, 32-pin Quad Flat No-Lead (QFN) package

### Algorithm Processing Chain



Features (Continued)



Note: All paths in the diagram are stereo.

Figure 1. Device Block Diagram

## Revision Record

Date	Status	Comments
February 2011	Revision 0.10	Datasheet first revision.
June 2011	Revision 0.75	Changes: <ul style="list-style-type: none"> <li>• Added algorithm processing Chain diagram</li> <li>• Added block diagram</li> <li>• Added Clocks section in Chapter 2</li> <li>• Added current consumption in Electrical Specification</li> <li>• Various small changes</li> </ul>
August 2011	Revision 0.80	Changes: <ul style="list-style-type: none"> <li>• Pins: Corrected that SDA and SCL are OD6 pins</li> <li>• Power and Reset: <ul style="list-style-type: none"> <li>— Removed TBD from crystal circuit</li> <li>— Added Clocks section</li> </ul> </li> <li>• Electrical Specifications: <ul style="list-style-type: none"> <li>— Changed input type ST <math>V_{IH}</math> level to minimum 2.0 V, <math>V_H</math> to 280 mV</li> <li>— Section 4.2.5: Changed maximum leakage of all pins from <math>&lt;30 \mu A</math> to <math>&lt;10 \mu A</math></li> <li>— Changed pull-up resistor minimum value to 34 K<math>\Omega</math></li> <li>— Removed DAC current consumption in Analog section</li> <li>— In DAC Characteristics, for LRCT, changed values to -67 (typical) and -64 (max)</li> <li>— Added that CLKOUT duty cycle is characterized only</li> <li>— Changed I2C timing AC levels to 0.8 and 2.0V</li> <li>— I2C Slave: removed <math>t_{HD:DS}</math> from spec; changed <math>t_{HD:DAT}</math> minimum to 18 ns</li> <li>— SSI slave: Changed <math>t_{HR}</math> minimum to 2 ns</li> </ul> </li> </ul>
November 2011	Revision 1.0	Changes: <ul style="list-style-type: none"> <li>• Changed device description</li> <li>• Changed package marking</li> </ul>
February 2011	Revision 1.1	Changes: <ul style="list-style-type: none"> <li>• Fixed typo: "I2CMS" signal is "I2C Master/Slave Strap" (not I2S).</li> </ul>

**Table of Contents**

General Description ..... 1

Features..... 2

Revision Record ..... 4

**1.0 Signal/Pin Description**

1.1 CONNECTION DIAGRAM ..... 7

1.2 PIN TYPES ..... 8

1.3 PIN DESCRIPTION ..... 8

1.3.1 Clocks and Reset ..... 8

1.3.2 GPIO ..... 8

1.3.3 I2S / GPIO / STRAPS ..... 9

1.3.4 I2C / GPIO ..... 9

1.3.5 CODEC ..... 10

1.3.6 Power ..... 10

**2.0 Power, Clocks and Reset**

2.1 POWER ..... 11

2.1.1 Power Planes ..... 11

2.1.2 Power States ..... 11

Illegal Power States ..... 11

2.1.3 Power Connection and Layout Guidelines ..... 11

Ground Connection ..... 11

Power Connection ..... 12

2.2 CLOCKS ..... 15

2.3 RESET SOURCES AND TYPES ..... 16

2.3.1 Power-Up Reset ..... 16

2.3.2 Watchdog Reset ..... 16

**3.0 Device Specifications**

3.1 GENERAL DC ELECTRICAL CHARACTERISTICS ..... 17

3.1.1 Recommended Operating Conditions ..... 17

3.1.2 Absolute Maximum Ratings ..... 17

3.1.3 Capacitance ..... 17

3.1.4 Power Supply Current Consumption under Recommended Operating Conditions ..... 18

3.2 DC CHARACTERISTICS OF PINS BY I/O BUFFER TYPES ..... 18

3.2.1 Input, TTL Compatible ..... 18

3.2.2 Input, TTL Compatible, with Schmitt Trigger ..... 18

3.2.3 Output, TTL/CMOS-Compatible, Push-Pull Buffer ..... 19

3.2.4 Output, TTL/CMOS-Compatible, Open-Drain Buffer ..... 19

3.2.5 Notes and Exceptions ..... 19

3.2.6 Terminology ..... 19

3.3 INTERNAL RESISTORS ..... 20

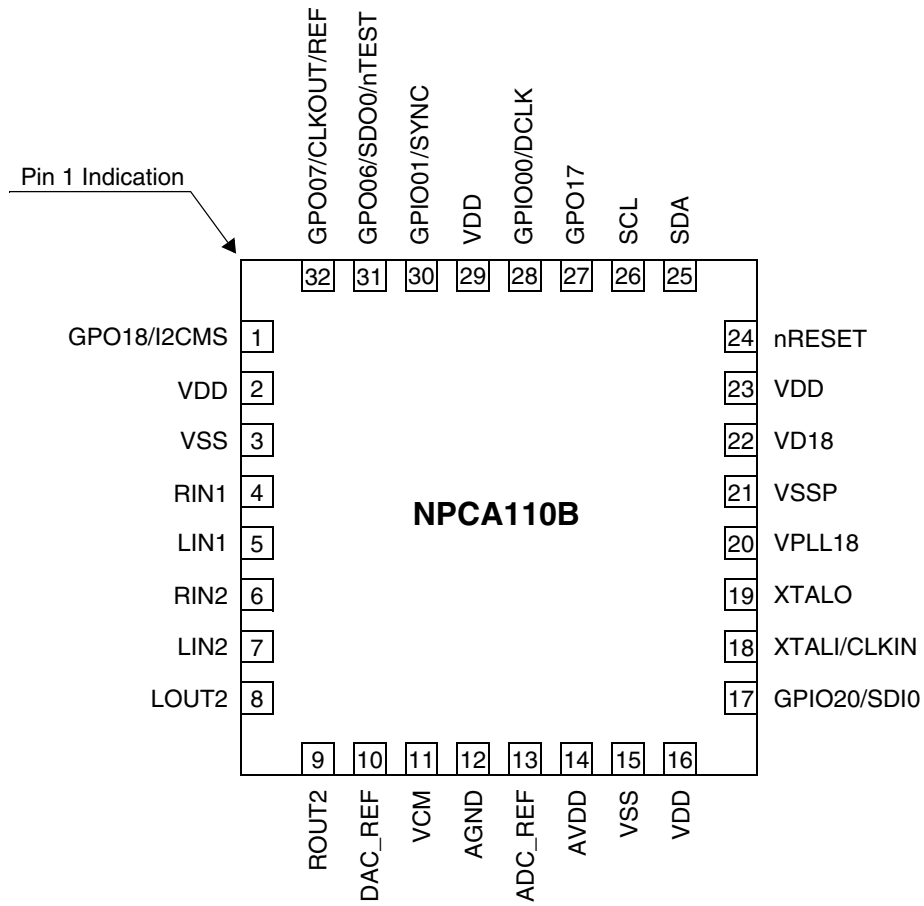
3.3.1 Pull-Up Resistors ..... 20

**Table of Contents** (Continued)

3.4	ANALOG CHARACTERISTICS .....	21
3.4.1	ADC Characteristics .....	21
3.4.2	DAC Characteristics .....	21
3.5	AC ELECTRICAL CHARACTERISTICS .....	22
3.5.1	AC Test Conditions .....	22
3.5.2	Reset Timing .....	23
3.5.3	Clock Timing .....	24
3.5.4	Input Signals Detection Timing .....	25
3.5.5	I2C Slave Timing .....	25
3.5.6	I2C Master Timing .....	26
3.5.7	SSI Timing .....	27
3.6	PACKAGE THERMAL INFORMATION .....	28
	Physical Dimensions.....	29

# 1.0 Signal/Pin Description

## 1.1 CONNECTION DIAGRAM



**Note:** Bottom Pad is VSS.

**32-Pin Quad Flat No-Lead (QFN) Package  
Order Number: NPCA110BA0YX**

## 1.0 Signal/Pin Description (Continued)

### 1.2 PIN TYPES

Table 1. Abbreviations

Abbreviations	Description
GPIO	General-Purpose I/O
GPO	General-Purpose Output
Ox/y	Output, Source x mA, Sink y mA
ODy	Output, Open-Drain, Sink y mA
5V	Input tolerant to 5 volts
PU	Input buffer with a pull-up resistor. This pull-up resistor is intended to maintain unconnected input pins at high logic level. The voltage measured externally on an unconnected input pin is in the range of 1.5 to 2.5V, although the input itself is near V <sub>DD</sub> level.
T	Input buffer with CMOS / LVTTTL levels
ST	Schmitt trigger input buffer with CMOS / LVTTTL levels
A	Analog input or output
XO	Crystal Oscillator

### 1.3 PIN DESCRIPTION

#### 1.3.1 Clocks and Reset

**Note:** Crystal oscillator connections are found in [Figure 4 on page 13](#).

Signal	I/O	Description	Pull-Up / Down	Power Well	Buffer Type	Comments
XTALI/CLKIN	I	<b>Crystal Clock Input.</b> Used for a crystal connection circuit or as a clock input (clock input at LVTTTL levels). The crystal should have a frequency of 12.288 MHz (48 KHz sample rate) or 11.2896 MHz (44.1 KHz sample rate).		VDD	XO	
XTALO	O	<b>Crystal Clock Output.</b> Used for a crystal connection circuit.				
nRESET	I	<b>Power-Up Reset Input.</b> If driven low, forces reset.	PU	VDD	5V, ST	

#### 1.3.2 GPIO

Signal	I/O	Description	Pull-Up / Down	Power Well	Buffer Type	Comments
GPO17	O	<b>General-Purpose Output Signal 17.</b>	PU	VDD	T, 5V, O8/8	
GPIO20 / SDI0	I/O I	<b>General-Purpose I/O Signal 20. / I2S Serial Data In 0.</b> Carries input stereo data stream 0.	PU	VDD	T, 5V, O2/2	



## 1.0 Signal/Pin Description (Continued)

### 1.3.3 I2S / GPIO / STRAPS

Signal	I/O	Description	Pull-Up / Down	Power Well	Buffer Type	Comments
GPIO00 / DCLK	I/O I/O	<b>General-Purpose I/O Signal 00.</b> / <b>I2S Clock.</b> Input for an I2S slave and output for an I2S master. The frequency must be either 32 or 64 times the sample frequency. When used as output, a 33Ω to 100Ω series resistor is required.	PU	VDD	T,5V,O2/2	
GPIO01 / SYNC	I/O I/O	<b>General-Purpose I/O Signal 01.</b> / <b>I2S SYNC.</b> Input for an I2S slave and output for an I2S master. Indicates the sample frequency. When used as output, a 33Ω to 100Ω series resistor is required.	PU	VDD	T,5V,O2/2	
GPO06 / SDO0 /  nTEST	O O I	<b>General-Purpose Output Signal 06.</b> / <b>I2S Serial Data Out 0.</b> Carries output stereo data stream 0. A 33Ω to 100Ω series resistor is required. / <b>Test Strap.</b> Sampled during Power-Up reset. The pin is pulled up by an internal resistor for normal operation or set to 0 by an external 8.2 KΩ pull-down resistor.	PU	VDD	T,5V,O2/2	
GPO07 / CLKOUT /  REF	O O I	<b>General-Purpose Output Signal 07.</b> / <b>General-Purpose Clock Output.</b> A 33Ω to 100Ω series resistor is required. / <b>Reference Strap.</b> Sampled during Power-Up. The pin is pulled up by an internal resistor (selects DCLK in) or set to 0 by an external 8.2 KΩ pull-down resistor (selects crystal oscillator).	PU	VDD	T,5V,O2/2	
GPO18 / I2CMS	O I	<b>General-Purpose Output Signal 18.</b> / <b>I2C Master/Slave Strap.</b> Sampled during Power-Up reset. The pin is pulled up by an internal resistor (selects slave) or set to 0 by an external 8.2 KΩ pull-down resistor (selects master).	PU	VDD	T,5V,O2/2	

### 1.3.4 I2C / GPIO

Signal	I/O	Description	Pull-Up / Down	Power Well	Buffer Type	Comments
SDA	I/O	<b>Master/Slave I2C Data Line.</b>		VDD	ST,5V,OD6	
SCL	I/O	<b>Master/Slave I2C Clock Line.</b> When used as an input, ignores short pulses of a length of less than 5 ns and rejects more signal changes within 20 ns (reducing signal reflections hazards).		VDD	ST,5V,OD6	

## 1.0 Signal/Pin Description (Continued)

### 1.3.5 CODEC

**Note:** Codec power connections are found in [Figure 5 on page 14](#)

Signal	I/O	Description	Power Well	Buffer Type
LIN1, RIN1	A	<b>Analog-to-Digital Converter Input Pair 1.</b> Left Input and Right Input are analog inputs and require AC coupling with a 1 $\mu$ F capacitor (0.33 $\mu$ F capacitor if 30 K $\Omega$ input impedance is selected).	AVDD	analog
LIN2, RIN2	A	<b>Analog-to-Digital Converter Input Pair 2.</b> Left Input and Right Input are analog inputs and require AC coupling with a 1 $\mu$ F capacitor (0.33 $\mu$ F capacitor if 30 K $\Omega$ input impedance is selected).	AVDD	analog
LOUT2	A	<b>Digital-to-Analog Converter Left Output.</b> Left Output is an analog output of DAC2.	AVDD	analog
ROUT2	A	<b>Digital-to-Analog Converter Right Output.</b> Right Output is an analog output of DAC2.	AVDD	analog
VCM	P	<b>CODEC Internally Generated Common-Mode Voltage.</b> Should be connected via a 0.1 $\mu$ F ceramic capacitor, parallel with a tantalum/Ceramic 22 $\mu$ F capacitor, to AVSS.	AVDD	analog
ADC_REF	P	<b>CODEC Internally Generated ADC Reference Voltage.</b> Should be connected via a 0.1 $\mu$ F ceramic capacitor, parallel with a tantalum/Ceramic 22 $\mu$ F capacitor to AVSS.	AVDD	analog
DAC_REF	P	<b>CODEC Internally Generated DAC Reference Voltage.</b> Should be connected via a 0.1 $\mu$ F ceramic capacitor, parallel with a tantalum/Ceramic 22 $\mu$ F capacitor, to AVSS.	AVDD	analog
AVDD	P	<b>CODEC Analog 3.3V Supply.</b> Should be connected to a filtered supply. Bypass capacitors of 0.1 $\mu$ F (ceramic) and 22 $\mu$ F should be connected to AVSS. A 20 $\Omega$ series resistor to VDD may be used as the filter.		
AVSS	G	<b>CODEC Analog Ground.</b> Should be connected to ground. The user may use a separate analog ground plane, connected to the digital (main) ground plane at one point near the NPCA110B.		

### 1.3.6 Power

**Note:** Power connections are found in [Figure 2 on page 12](#) and [Figure 3 on page 13](#).

Signal	I/O	Description
VSSP	G	<b>PLL Ground.</b> Should be connected to a digital ground plane via a 0 $\Omega$ resistor.
VPLL18	P	<b>PLL 1.8V Supply.</b> Internally generated for PLL. Should be connected via a 4.7 $\mu$ F ceramic capacitor to VSSP.
VD18	P	<b>Internal 1.8V Supply.</b> Internally generated for internal logic. Should be connected via a 4.7 $\mu$ F ceramic capacitor to digital ground.
VSS	G	<b>Digital Ground.</b> Should be connected to a digital ground plane. The QFN32 package bottom pad must be connected to digital ground.
VDD	P	<b>3.3V Digital Supply.</b>

## 2.0 Power, Clocks and Reset

### 2.1 POWER

#### 2.1.1 Power Planes

The NPCA110B has three power plane groups (wells), as shown in [Table 2](#).

**Table 2. NPCA110B Power Planes**

Power Plane Group	Description	Power Plane Notation	Power Pins	Ground Pins
Internal group	Powers the internal PLL. Supply is generated internally, but requires filtering.	$V_{D18}$	VPLL18	VSSP
	Powers the internal logic of all the device modules. Supply is generated internally but requires filtering.	$V_{D18}$	VD18	VSS
Active group	3.3V power to the I/O interface and internal regulators.	$V_{DD}$	VDD	VSS
Analog Active	Powers the CODEC; requires filtering	$AV_{DD}$	AVDD	AGND

For correct NPCA110B operation,  $AV_{DD}$  must be applied at the same time that  $V_{DD}$  is applied. Protection is provided only against rise-time differences between the different power planes.

#### 2.1.2 Power States

The NPCA110B has the following main power states:

- **Power Fail**  
All power planes are powered off; (i.e.,  $V_{DD}$ ,  $AV_{DD}$  are inactive).
- **Power Active**  
All power planes are powered on (i.e.,  $V_{DD}$ ,  $AV_{DD}$  are active).

#### Illegal Power States

The following power states are illegal (i.e., NPCA110B operation is not guaranteed):

- Active power plane on and analog power plane off.
- Active power plane off and analog power plane on.

#### 2.1.3 Power Connection and Layout Guidelines

The NPCA110B requires a power supply voltage of 3.13V–3.47V for the digital supplies ( $V_{DD}$ ) and 3.00V–3.47V for the analog power supply ( $AV_{DD}$ ).

$V_{DD}$  uses a common ground return named Digital Ground and marked  $V_{SS}$ . The analog circuits use a separate ground return. This ensures effective isolation of the analog modules from noise caused by the digital modules.

The following directives are recommended for the NPCA110B power and ground connections.

#### Ground Connection

Use two ground planes, one for digital signals ( $V_{SS}$ ) and one or more for analog signals ( $AV_{SS}$ ). Make the following ground connections:

- Connect a specific analog ground plane ( $AV_{SS}$ ) to the digital ground plane ( $V_{SS}$ ) at one point only. This point should be physically located near the relevant NPCA110B analog supply pin,  $AV_{DD}$ .
- Connect the analog ground return pin (AGND) of the NPCA110B to the analog ground plane.
- Connect the decoupling capacitors of the analog supply ( $AV_{DD}$ ) to the analog ground plane, as close as possible to the AGND pin.
- Connect all  $V_{SS}$  pins and the bottom pad of the NPCA110B to the GND plane.
- Locate the decoupling capacitors of the Active power plane's digital supply ( $V_{DD}$ ) pins close to a  $V_{DD}$  pin; connect one terminal of each capacitor to the ground plane.
- If there is insufficient room for decoupling capacitors, place smaller capacitors close to the power-ground pins and larger capacitors further away.

Note that low-impedance ground layers improve noise isolation and reduce ground bounce problems.

## 2.0 Power, Clocks and Reset (Continued)

### Power Connection

All NPCA110B supply pins must be connected to the appropriate power plane. Decoupling capacitors must be used as recommended as follows:

- Connect the digital supply pins (VDD) to a 3.3V power supply. A 10  $\mu\text{F}$  (or larger) capacitor should be connected between VDD and the digital ground plane. A 0.1  $\mu\text{F}$  capacitor should be connected to ground near each VDD pin of the device.
- Connect the analog supply pins (AVDD) to a low-noise, 3.3V power supply. If the AVDD pin is connected to the same power supply as the VDD pins, it is recommended to use an external L-C or R-C filter for the AVDD pin.

The recommend power connections are shown below:

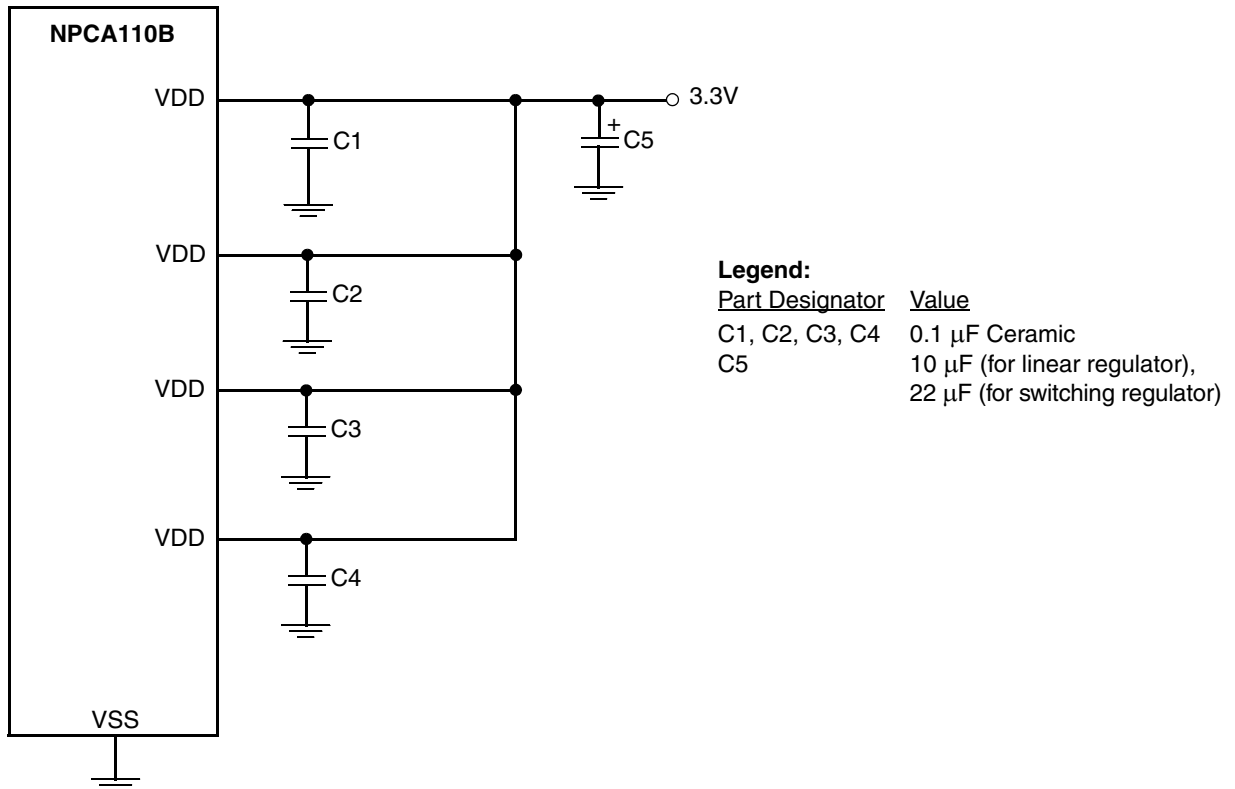
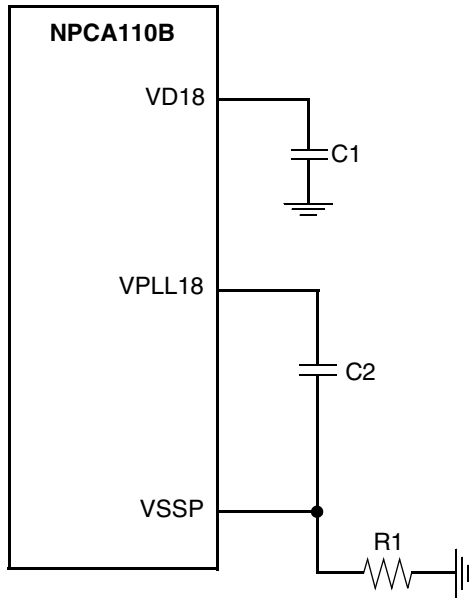


Figure 2. 3.3V Digital Power Connection Diagram

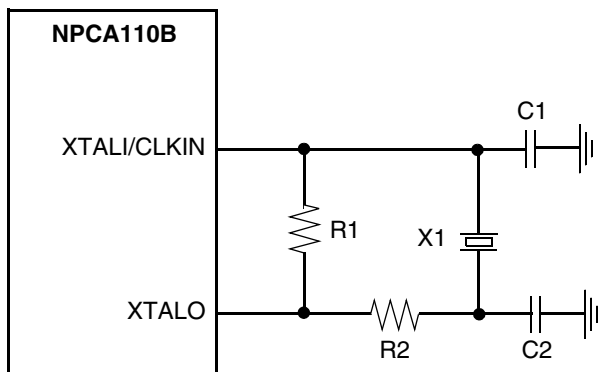
2.0 Power, Clocks and Reset (Continued)



**Legend:**

Part Designator	Value
R1	0Ω
C1, C2	4.7 μF Ceramic

Figure 3. 1.8V Power Connection Diagram



**Legend:**

Part Designator	Final Values
R1	2 MΩ 5%,
C1	20 pF Ceramic 5%,
C2	20 pF Ceramic 5%
Option 1:	
R2	2000Ω 1%,
X1	12.288 or 11.2896 MHz, C <sub>L</sub> =12 pF, ESR < 75Ω, Drive level up to 500 μW
Option 2:	
R2	4990Ω 1%,
X1	12.288 or 11.2896 MHz, C <sub>L</sub> =12 pF, ESR < 75Ω, Drive level up to 100 μW

Figure 4. Typical Crystal Oscillator Connection Diagram

2.0 Power, Clocks and Reset (Continued)

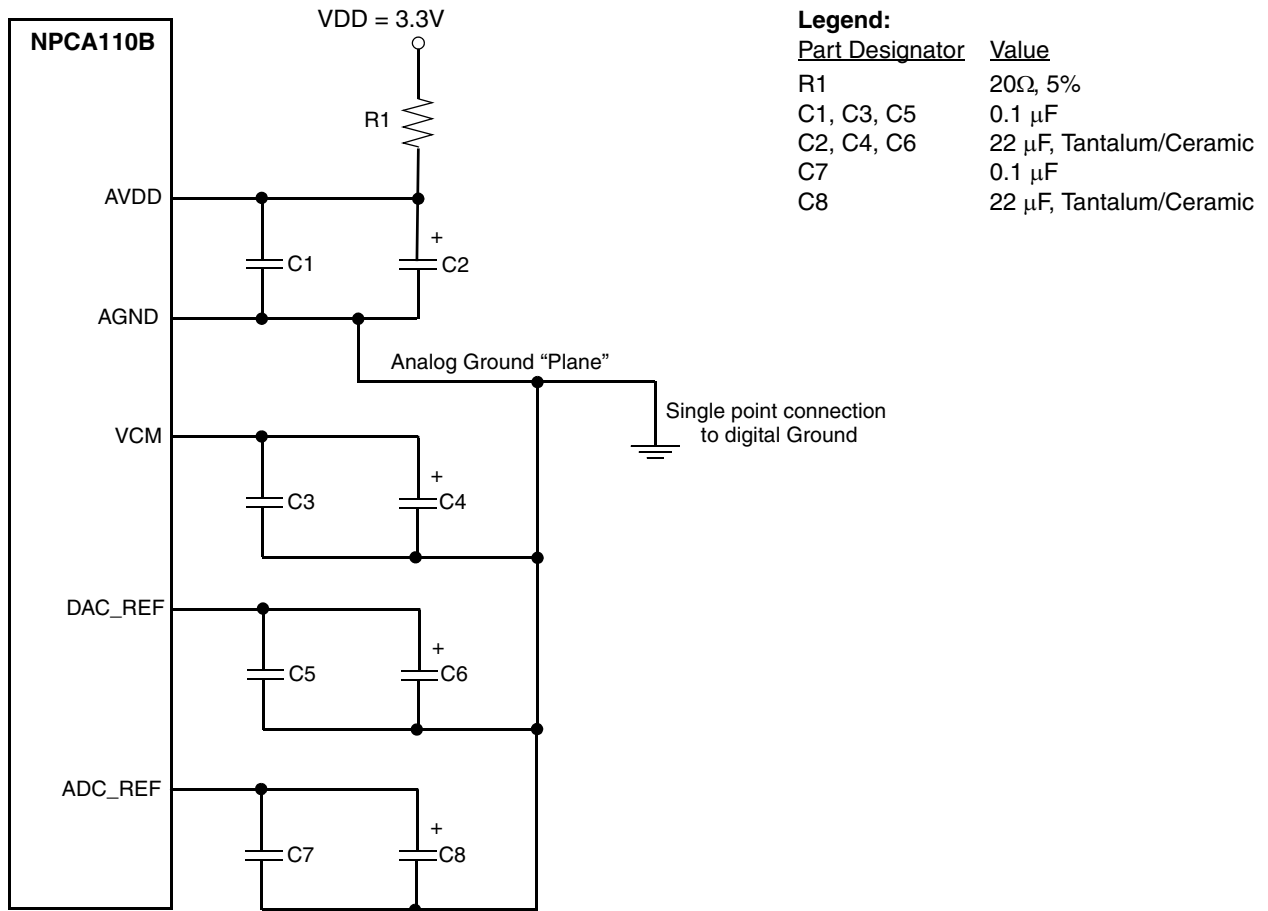


Figure 5. Recommended CODEC Power Connection Diagram

## 2.0 Power, Clocks and Reset (Continued)

### 2.2 CLOCKS

The NPCA110B clock structure is shown below. The clock generation parameters are supplied to the device at initialization.

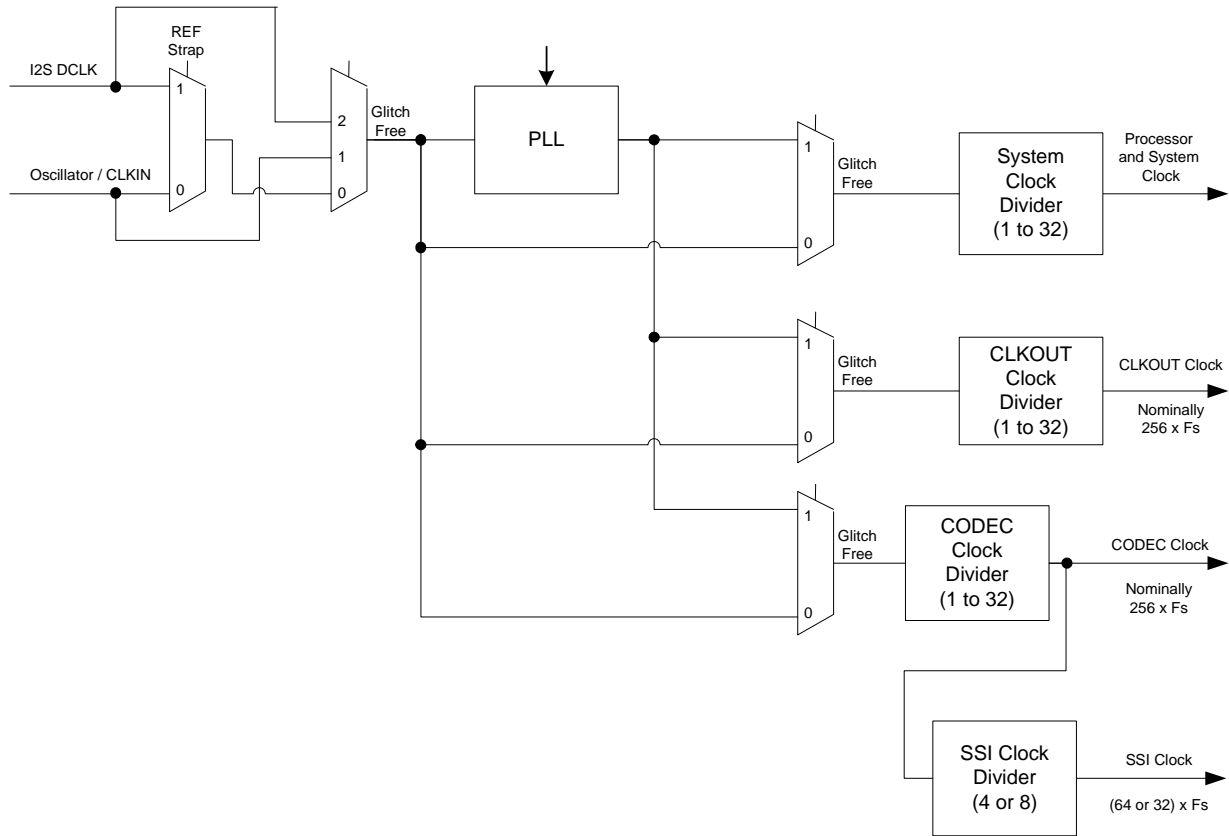


Figure 6. Clocks in the NPCA110B

#### Clock Source

The clock source is either DCLK (I2S serial clock, in slave mode) or the crystal oscillator, and is used as the reference clock of the PLL. The clock is selected initially by the REF strap and may be changed later.

When DCLK is a stable clock, the oscillator may be omitted. The oscillator may be replaced by a clock input.

The best selection for a crystal frequency is 256 times the sample clock used.

#### PLL

The PLL is used to generate the Processor and the CODEC clock (if the oscillator is omitted) and can be used to generate the SSI (I2S) clock as well (if the device is in I2S master mode).

The PLL reference clock may be as low as 44 KHz; however, for low jitter, a higher frequency reference clock is recommended.

## 2.0 Power, Clocks and Reset (Continued)

### 2.3 RESET SOURCES AND TYPES

The NPCA110B has one reset domain.

#### Reset Types

- Power-Up reset - Activated when nReset signal is asserted (when the  $V_{DD}$  and  $V_{D18}$  supplies are powered up).
- Watchdog reset - Activated when a watchdog condition is detected.

The following sections describe the sources and effects of the various resets on the NPCA110B, per reset type.

#### 2.3.1 Power-Up Reset

$V_{DD}$  Power-Up reset is generated when nRESET signal is asserted.

On Power-Up reset, the NPCA110B performs the following:

- Puts pins with strap options into TRI-STATE<sup>®</sup> mode and enables the internal pull-up/down resistors on the strap pins.
- Samples the values of the strap pins (after nRESET deassertion).
- Performs all actions done by a Watchdog reset.

**Note:** The internal reset signal is active for at least 3 ms.

#### 2.3.2 Watchdog Reset

Watchdog reset is generated by the Watchdog module on detection of a watchdog event.

The NPCA110B loads default values to all registers.



### 3.0 Device Specifications

#### 3.1 GENERAL DC ELECTRICAL CHARACTERISTICS

##### 3.1.1 Recommended Operating Conditions

Symbol	Parameter <sup>1</sup>	Min	Typ	Max	Unit
V <sub>DD</sub>	3.3V Supply Voltage (VDD pins)	3.13	3.3	3.47	V
AV <sub>DD</sub>	3.3V Analog Supply Voltage (AVDD pin)	3.00	3.3	3.47	V
V <sub>OFF</sub>	V <sub>DD</sub> and AV <sub>DD</sub> Power Off Voltage	-0.3	0	+0.5	V
T <sub>A</sub>	Operating Ambient Temperature	0		+70	°C

1. Unless otherwise specified, all voltages are relative to ground.

##### 3.1.2 Absolute Maximum Ratings

Absolute maximum ratings are values beyond which damage to the device may occur. Unless otherwise specified, all voltages are relative to ground. These parameters are characterized and not fully tested.

Symbol	Parameter	Conditions	Min	Max	Unit
V <sub>DD</sub>	3.3V Supply Voltage, including AV <sub>DD</sub> <sup>1</sup>		-0.5	3.6	V
V <sub>I</sub>	Input Voltage <sup>1</sup>	All buffer types (except analog)	-0.5	V <sub>DD</sub> + 0.5	V
		5V buffer types	-0.5	5.5	V
		V <sub>DD</sub> < 0.5V, all digital signals	-0.5	3.47	V
V <sub>O</sub>	Output Voltage <sup>1</sup>	All buffer types (except analog)	-0.5	V <sub>DD</sub> + 0.5	V
I <sub>SINK</sub>	Total NPCA110B Sink or Source Current	Total of all output pins		50	mA
	ESD Tolerance	C <sub>ZAP</sub> = 100 pF, R <sub>ZAP</sub> = 1.5 KΩ <sup>2</sup>	2000		V
T <sub>STG</sub>	Storage Temperature		-65	+150	°C
T <sub>BIAS</sub>	Ambient Temperature Under Bias		0	+70	°C
P <sub>D</sub>	Power Dissipation	For correct operation		0.5	W

1. All voltages are relative to ground.

2. Value based on test complying with RAI-5-048-RA human body model ESD testing.

##### 3.1.3 Capacitance

Symbol	Parameter	Conditions	Min <sup>1</sup>	Typ <sup>2</sup>	Max <sup>1</sup>	Unit
C <sub>IO</sub>	I/O Pin Capacitance	All pins		8	12	pF

1. Not fully tested; characterized only.

2. T<sub>A</sub> = 25°C; f = 1 MHz.

### 3.0 Device Specifications (Continued)

#### 3.1.4 Power Supply Current Consumption under Recommended Operating Conditions

These table values are preliminary:

Symbol	Parameter	Power Mode	Conditions <sup>1</sup>	Typ <sup>2</sup>	Max <sup>2</sup>	Unit
I <sub>DD</sub>	V <sub>DD</sub> Average <sup>3</sup> Supply Current (including ADC, DACs)	Active	V <sub>IL</sub> = 0.5V, V <sub>IH</sub> = 2.4V, DAC load = 10 KΩ Processor clock is 125 MHz	55	70 <sup>4</sup>	mA
I <sub>DD</sub>	V <sub>DD</sub> Stop <sup>5</sup> Supply Current	Idle		0.7		mA
I <sub>ADC</sub>	ADC Average current	Active		4	6	mA
I <sub>DAC</sub>	Each DAC Average current (R <sub>L</sub> = 10 KΩ)	Active		2.5	5	mA

1. Unless stated otherwise, all parameters are specified for 0°C ≤ T<sub>A</sub> ≤ 70°C, V<sub>33</sub> = 3.13V - 3.47V and no resistive load on outputs.
2. Not fully tested; characterized only.
3. Average current is used for power calculation.
4. Resistive loads (such as I2C) on outputs may increase this current, especially if the LEDs are driven directly from the device.
5. Stop is defined as: Processor and system clock is halted, PLL is in power-down (Reference clock selected as clock, PLLPD bit set, crystal oscillator disabled).

### 3.2 DC CHARACTERISTICS OF PINS BY I/O BUFFER TYPES

The tables in this section summarize the DC characteristics of all device pins described in (Section 1.3 on page 8). The characteristics describe the I/O buffer types defined in Section 1.2 on page 8. For exceptions, see Section 3.2.5 on page 19.

#### 3.2.1 Input, TTL Compatible

Symbol: T

Symbol	Parameter	Conditions	Min	Max	Unit
V <sub>IH</sub>	Input High Voltage	Non-5V types	2.0	V <sub>DD</sub> +0.5	V
		5V types	2.0	5.5	V
V <sub>IL</sub>	Input Low Voltage		-0.5	0.8	V
I <sub>ILK</sub> <sup>1</sup>	Input Leakage Current	V <sub>DD</sub> = 3.13V – 3.47V and 0 < V <sub>IN</sub> < V <sub>DD</sub>		±2	μA

1. For additional conditions, see Section 3.2.5 on page 19.

#### 3.2.2 Input, TTL Compatible, with Schmitt Trigger

Symbol: ST

Symbol	Parameter	Conditions	Min	Max	Unit
V <sub>IH</sub>	Input High Voltage	Non-5V types	2.0	V <sub>DD</sub> +0.5	V
		5V types	2.0	5.5	V
V <sub>IL</sub>	Input Low Voltage		-0.5	0.8	V
V <sub>H</sub>	Input Hysteresis		280 <sup>1</sup>		mV
I <sub>ILK</sub> <sup>2</sup>	Input Leakage Current	V <sub>DD</sub> = 3.13V – 3.47V and 0 < V <sub>IN</sub> < V <sub>DD</sub>		±2	μA

1. Not tested; guaranteed by characterization guardband.
2. For additional conditions, see Section 3.2.5 on page 19.

### 3.0 Device Specifications (Continued)

#### 3.2.3 Output, TTL/CMOS-Compatible, Push-Pull Buffer

Symbol:  $O_{p/n}$

Output, TTL/CMOS-compatible, rail-to-rail push-pull buffer that is capable of sourcing  $p$  mA and sinking  $n$  mA.

Symbol	Parameter	Conditions	Min	Max	Unit
$V_{OH}$	Output High Voltage	$I_{OH} = -p$ mA	2.4		V
		$I_{OH} = -50$ $\mu$ A	$V_{DD} - 0.2$		V
$V_{OL}$	Output Low Voltage	$I_{OL} = n$ mA		0.4	V
		$I_{OL} = 50$ $\mu$ A		0.2	V
$I_{OLK}^1$	Output Leakage Current	$V_{DD} = 3.13V - 3.47V$ and $0 < V_{IN} < V_{DD}$		$\pm 2$	$\mu$ A

1. For additional conditions, see [Section 3.2.5 on page 19](#).

#### 3.2.4 Output, TTL/CMOS-Compatible, Open-Drain Buffer

Symbol:  $OD_n$

Output, TTL/CMOS-compatible open-drain output buffer capable of sinking  $n$  mA. Output from these signals is open-drain and is never forced high.

Symbol	Parameter	Conditions	Min	Max	Unit
$V_{OL}$	Output Low Voltage	$I_{OL} = n$ mA		0.4	V
		$I_{OL} = 50$ $\mu$ A		0.2	V
$I_{OLK}^1$	Output Leakage Current	$V_{DD} = 3.13V - 3.47V$ and $0 < V_{IN} < V_{DD}$		$\pm 2$	$\mu$ A

1. For additional conditions, see [Section 3.2.5 on page 19](#).

#### 3.2.5 Notes and Exceptions

- $I_{ILK}$  and  $I_{OLK}$  are measured in the following cases (where applicable):
  - Internal pull-up or pull-down resistor is disabled
  - Push-pull output buffer is disabled (TRI-STATE mode)
  - Open-drain output buffer is at high level
- Pins marked with '5V' in the Buffer Type column in [Section 1.3 on page 8](#) are 5V tolerant. The analog type pins, are not 5V tolerant. This applies if these buffer types are stand-alone or if they are multiplexed with 5V tolerant buffer types.
- Maximum leakage of all the NPCA110B pins together is  $< 10$   $\mu$ A when input voltage is within the supply rails voltage and when PU resistors are disabled in Hi-Z (not fully tested; characterized only).
- A pin (nRESET) that has an internal static pull-up resistor therefore has leakage current from  $V_{DD}$  (when  $V_{IN} = 0$ ).
- Strap pins have an internal pull-up resistor enabled during Power-Up reset and therefore may have leakage current from  $V_{DD}$  (when  $V_{IN} = 0$ ).
- $I_{OH}$  is valid for a GPIO pin only when it is not configured as open-drain.
- All digital pins of output type  $O_{p/n}$  have a back-drive protection capability of up to 3.6V.

#### 3.2.6 Terminology

**Back-Drive Protection.** Back-drive protected pins sustain any voltage within the specified voltage limits when the device power supply is off.

**5-Volt Tolerance.** 5V tolerant pins sustain 5V even if the applied voltage is above the device power supply voltage. A pin is 5V tolerant in the following conditions (where applicable):

- Internal pull-down resistor is disabled. If it is enabled, leakage current is high.
- Push-pull output buffer is disabled (TRI-STATE mode)

### 3.0 Device Specifications (Continued)

#### 3.3 INTERNAL RESISTORS

##### DC Test Conditions

##### Pull-Up Resistor Test Circuit

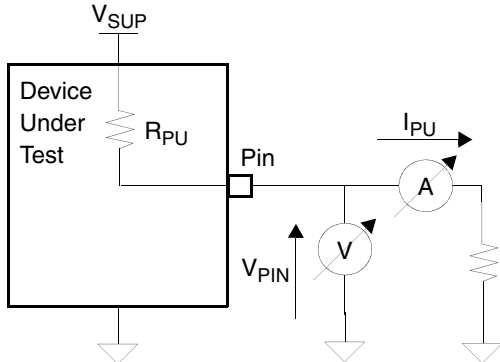


Figure 7. Internal Resistor Test Conditions,  $T_A = 0^{\circ}\text{C}$  to  $70^{\circ}\text{C}$

##### Internal Pull-Up Strap

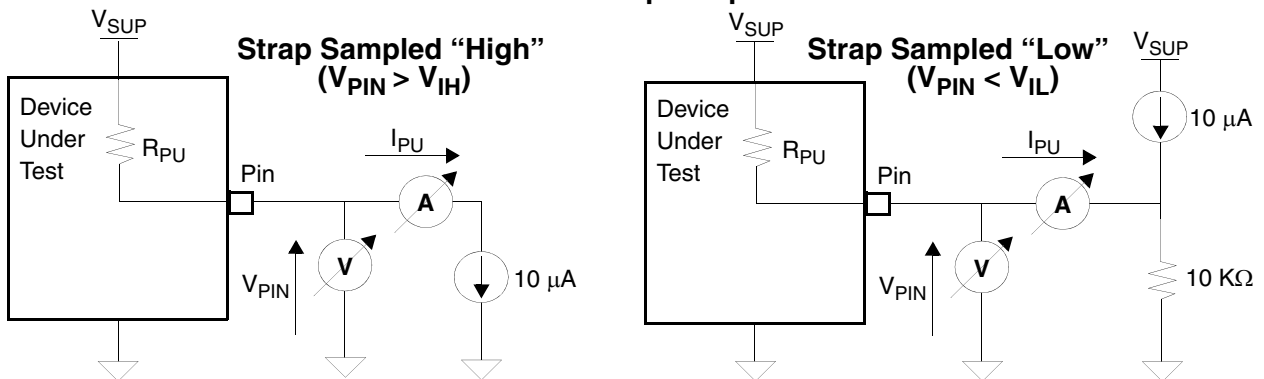


Figure 8. Internal Resistor Design Requirements,  $T_A = 0^{\circ}\text{C}$  to  $70^{\circ}\text{C}$

**Notes:**

1. The equivalent resistance of the pull-up resistor is calculated by  $R_{PU} = (V_{SUP} - V_{PIN}) / I_{PU}$ .
2. The equivalent resistance of the pull-down resistor is calculated by  $R_{PD} = V_{PIN} / I_{PD}$ .

#### 3.3.1 Pull-Up Resistors

Symbol: PU

Symbol	Parameter	Conditions <sup>1</sup>	Min <sup>2</sup>	Typical	Max <sup>2</sup>	Unit
$R_{PU}$	Pull-Up Equivalent Resistance for other pins	$V_{PIN} = 0\text{V}$	34	60	95	$\text{K}\Omega$

1.  $T_A = 0^{\circ}\text{C}$  to  $70^{\circ}\text{C}$ ,  $V_{SUP} = 3.3\text{V} \pm 5\%$ .
2. Not fully tested; characterized only.

### 3.0 Device Specifications (Continued)

#### 3.4 ANALOG CHARACTERISTICS

##### 3.4.1 ADC Characteristics

Parameter	Symbol	Conditions <sup>1</sup>	Min	Typ	Max	Unit
Resolution	RES			24		Bit
Input Impedance <sup>2</sup>	Z <sub>IN</sub>	Selecting 10 KΩ, AC coupled	10	25		KΩ
		Selecting 30 KΩ, AC coupled	30	75		KΩ
Input Capacitance <sup>3</sup>	C <sub>AIN</sub>				20	pF
Dynamic Range	DR		80	90		dB
Signal-to-Noise Ratio	SNR		80	90		dB
Total Harmonic Distortion	THD	At -9 dB of Full-Scale @1 KHz, AV <sub>DD</sub> = 3.13 – 3.47V		-75 <sup>4</sup>	-70	dB
Total Harmonic Distortion	THD	At -9 dB of Full-Scale @1 KHz <sup>3</sup>		-75		dB
Full Scale Voltage	V <sub>FS</sub>			AV <sub>DD</sub> /3.3		V <sub>RMS</sub>
Left and Right Channel Mismatch	LRMM			±0.1	±0.3	dB
Analog Multiplexer DC Offset	MOFS				±15	mV
Analog Multiplexer Gain Mismatch	MGM				±0.5	dB
Overall Passband Ripple	OPR				±0.5	dB

- All parameters specified for 0°C ≤ T<sub>A</sub> ≤ 70°C and AV<sub>DD</sub>= 3.00V – 3.47V and using the calibration data, unless otherwise specified.
- Defined when ADC Programmable Gain Amplifier (PGA) Volume control is set to 0 dB.  
When set to 10 KΩ: Minimum Z<sub>IN</sub> at highest PGA gain is 1 KΩ.  
When set to 30 KΩ: Minimum Z<sub>IN</sub> at highest PGA gain is 2 KΩ.
- Not fully tested; characterized only.
- Typical value is specified for T<sub>A</sub> = 25°C and AV<sub>33</sub>= 3.30V.

##### 3.4.2 DAC Characteristics

Parameter	Symbol	Conditions <sup>1</sup>	Min	Typ	Max	Unit
Resolution	RES			24		Bit
Output Load Resistance	Z <sub>L</sub>	AC coupled	0.6	10		KΩ
Output Capacitance <sup>2</sup>	C <sub>AOUT</sub>	AC coupled		30	1000	pF
Dynamic Range	DR		90	96		dB
Signal-to-Noise Ratio	SNR		90	96		dB
Total Harmonic Distortion	THD	At -1 dB of Full-Scale @1 KHz input		-86	-76	dB
Full-Scale Voltage	V <sub>FS</sub>			AV <sub>DD</sub> /3.3		V <sub>RMS</sub>
Left and Right Channel Mismatch	LRMMO			±0.1	±0.3	dB
Left and Right Channel Crosstalk	LRCT			-67	-64	dB

- All parameters specified for 0°C ≤ T<sub>A</sub> ≤ 70°C and AV<sub>33</sub>= 3.00V – 3.47V and using the calibration data, unless otherwise specified.
- Not fully tested; characterized only.

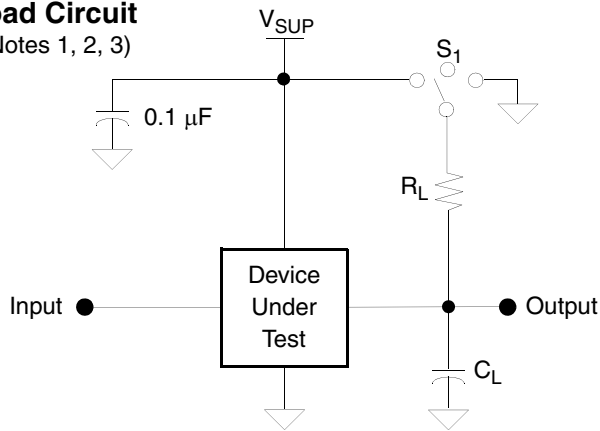
### 3.0 Device Specifications (Continued)

#### 3.5 AC ELECTRICAL CHARACTERISTICS

##### 3.5.1 AC Test Conditions

###### Load Circuit

(Notes 1, 2, 3)



###### AC Testing Input, Output Waveform

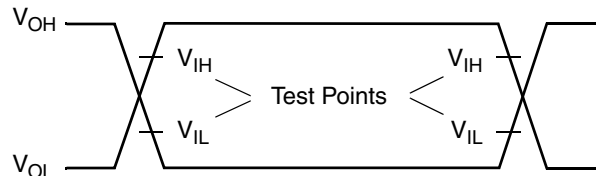


Figure 9. AC Test Conditions,  $T_A = 0^\circ\text{C} \text{ to } 70^\circ\text{C}$ ,  $V_{SUP} = 3.13\text{V} - 3.47\text{V}$

###### Notes:

- $V_{SUP}$  is  $V_{33}$  according to the power well of the pin, relevant for all signals at LVTTTL levels.
- $C_L = 50 \text{ pF}$  for all output pins except the following pin groups (values include both jig and oscilloscope capacitance)  
 $C_L = 100 \text{ pF}$  for I2C  
 $C_L = \text{as otherwise defined}$
- $S_1 = \text{Open}$  – for push-pull output pins  
 $S_1 = V_{SUP}$  – for high-impedance to active low and active low to high-impedance transition measurements  
 $S_1 = \text{GND}$  – for high-impedance to active high and active high to high-impedance transition measurements  
 $R_L = 1.0 \text{ K}\Omega$  – for all pins
- The following abbreviations are used in [Section 3.5](#): RE = Rising Edge; FE = Falling Edge.

###### Definitions

The timing specifications in this section are relative to  $V_{IL}$  or  $V_{IH}$  (according to the specific buffer type) on the rising or falling edges of all the signals, as shown in the following figures (unless specifically stated otherwise).

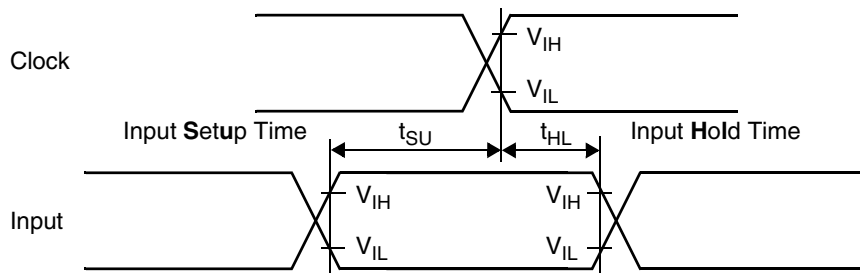


Figure 10. Input Setup and Hold Time

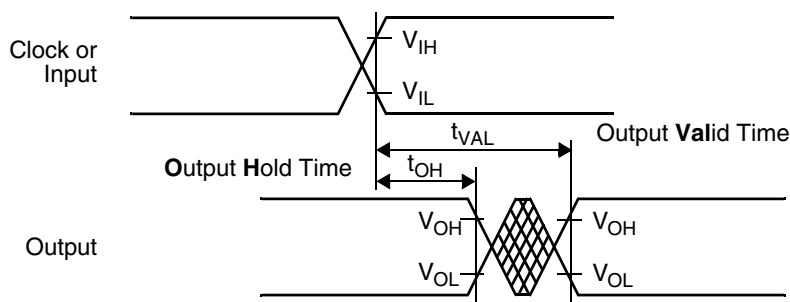


Figure 11. Clock-to-Output and Propagation Delay

### 3.0 Device Specifications (Continued)

#### 3.5.2 Reset Timing

Symbol	Figure	Description	Conditions	Min	Max	Units
$t_{CORD}$	12	Power-Up Requirement: all power supplies at valid level until nRESET deasserted <sup>1</sup>	After reset delay	5		ms
$t_{PRST}$	12	nRESET Pulse Width	To assure reset	1		ms
$t_{RSTC}$	12	Internal reset delay after nRESET deasserted	REF latched high	11000	12500	$t_{REFCLK}$
			REF latched low	48000	52000	$t_{REFCLK}$
$t_{CLKRSTD}$	12	Stable reference clock to reset end		100		$\mu s$
$t_{STSU}$	12	Valid straps signals level setup time to nRESET rising		100		$\mu s$
$t_{STH}$	12	Valid straps signals level hold after nRESET rising		10		$t_{REFCLK}$
$t_{OE}$	12	Internal reset end to outputs enabled on strap pins		-100		$t_{REFCLK}$

1. Requirement for system.

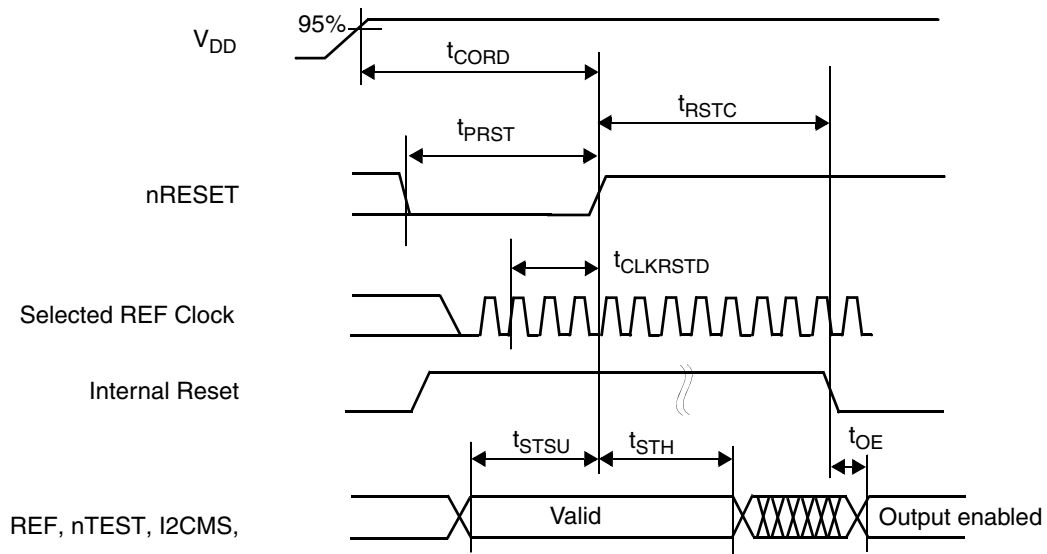


Figure 12. Device Reset

### 3.0 Device Specifications (Continued)

#### 3.5.3 Clock Timing

##### CLKREF (DCLK or Oscillator) Clock Timing

Symbol	Figure	Description	Conditions	Min	Typ	Max	Units
$t_{REFCLK}$	13	CLKREF Average Clock Period	From RE to RE of CLKREF	50		1000	ns
$A_{CLK}$		CLKREF Accuracy	For a specific system		50	100	ppm
$t_{CLKH}$	13	CLKREF High Time	From RE to FE of CLKREF	35			ns
$t_{CLKL}$	13	CLKREF Low Time	From FE to RE of CLKREF	35			ns
$t_{CLKR}$	13	CLKREF Rise Time	From 0.8V to 2.0V			5	ns
$t_{CLKF}$	13	CLKREF Fall Time	From 2.0V to 0.8V			5	ns
Duty Cycle		CLKREF Duty Cycle	At 1.4V	40		60	%
$J_{PERIOD}$		Period Jitter <sup>1</sup>	At 1.4V			1.5	ns

1. Measured over a 20  $\mu$ s window.

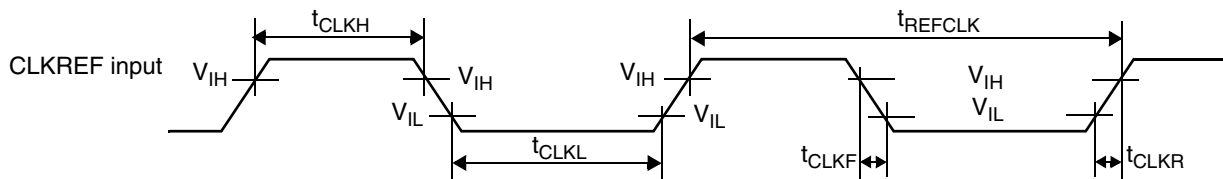


Figure 13. CLKREF Clock Waveforms

##### CLKOUT Timing

Symbol	Figure	Description	Conditions	Min	Max	Units
$t_{CLK}$	14	CLKOUT Clock Period	From RE to RE of CLKOUT, $C_L = 20$ pF	50		ns
$t_{CLKH}$	14	CLKOUT High Time <sup>1</sup>	From RE to FE of CLKOUT, $C_L = 20$ pF	15		ns
$t_{CLKL}$	14	CLKOUT Low Time <sup>1</sup>	From FE to RE of CLKOUT, $C_L = 20$ pF	15		ns
$t_{CLKR}$	14	CLKOUT Rise Time <sup>1</sup>	From $V_{IL}$ to $V_{IH}$ of CLKOUT, $C_L = 20$ pF		5	ns
$t_{CLKF}$	14	CLKOUT Fall Time <sup>1</sup>	From $V_{IH}$ to $V_{IL}$ of CLKOUT, $C_L = 20$ pF		5	ns
$D_{CLK}$		CLKOUT Duty Cycle <sup>1</sup>	$C_L = 20$ pF	28		%

1. Not fully tested; characterized only.

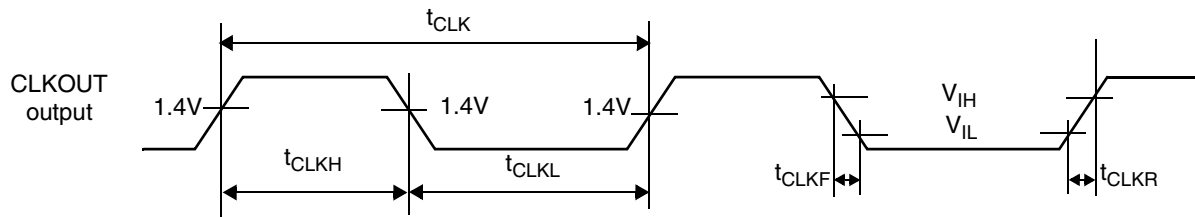


Figure 14. CLKOUT Clock Waveforms



### 3.0 Device Specifications (Continued)

#### 3.5.4 Input Signals Detection Timing

Symbol	Figure	Description	Conditions	Min	Max	Units
$t_{SSCL}$	15	Debounced SCL input pulse width (which guarantees detection)		15		ns

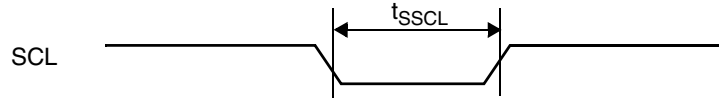


Figure 15. Input Signal Detection Timing

#### 3.5.5 I2C Slave Timing

Symbol	Figure	Description	Conditions	Min	Max	Units
$f_{SCL}$	16	SCL Frequency	At 1.2V SCL RE to RE		400 <sup>1</sup>	KHz
$t_{LOW}$		SCL Low Time	At 0.8V (both edges)	0.5		$\mu$ s
$t_{HIGH}$	16	SCL High Time	At 2.0V (both edges)	0.26		$\mu$ s
$t_{I2CR}$	16	SCL, SDA Rise Time	From 0.8V to 2.0V <sup>1</sup>		0.25 <sup>2</sup>	$\mu$ s
$t_{I2CF}$	16	SCL, SDA Fall Time	From 2.0V to 0.8V <sup>1</sup>		100	ns
$t_{SU:DAT}$	16	SDA Setup Time	Before SCL RE	50		ns
$t_{HD:DAT}$	17	SDA Hold Time	After SCL FE	18		ns
$t_{SU:STA}$	17	SCL Setup Time	Before Restart condition	0.26		$\mu$ s
$t_{HD:STA}$	17	SCL Hold Time	After Start/Restart condition	0.26		$\mu$ s
$t_{SU:STO}$	17	SCL Setup Time	Before Stop condition	0.26		$\mu$ s
$t_{BUF}$	17	Bus Free Time	Between Stop and Start conditions	0.5		$\mu$ s
$t_{VD:DAT}$	17	Data Valid Time	After SCL FE		0.45	$\mu$ s
$t_{VD:ACK}$	17	Data Valid Acknowledge Time	After SCL FE		0.45	$\mu$ s

1. Test conditions:  $R_L = 1\text{ K}\Omega$  to  $V_{DD} = 3.3\text{V}$ ,  $C_L = 100\text{ pF}$  to GND
2. Not tested; based on design simulation.

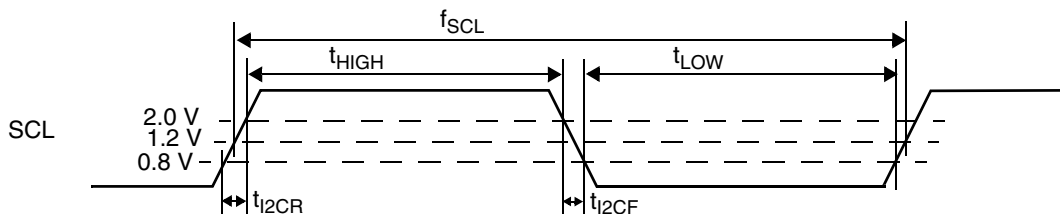


Figure 16. I2C SCL Signal Timing

### 3.0 Device Specifications (Continued)

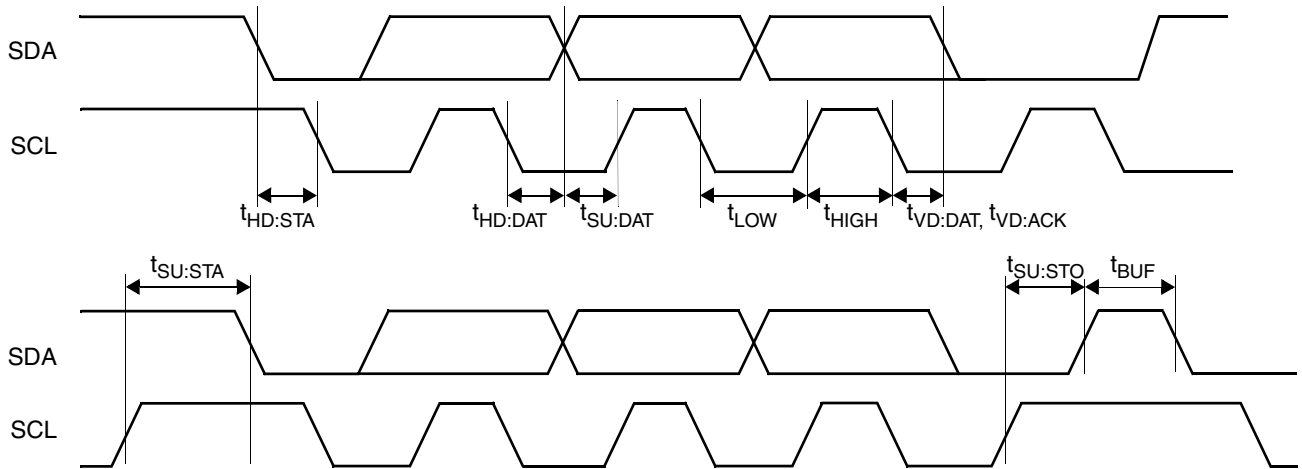


Figure 17. I2C Timing

#### 3.5.6 I2C Master Timing

Symbol	Figure	Description	Conditions	Min	Typ	Max	Units
$f_{SCL}$	16	SCL Frequency <sup>4</sup>	Programming capability	$f_{AEE} / 16384$		$f_{AEE} / 8$	
		SCL Frequency <sup>4</sup>	At 1.2V SCL RE to RE	0		400 <sup>1</sup>	KHz
$t_{LOW}$	16	SCL Low Time <sup>4</sup>	At 0.8V (both edges)	$8 \times T_{AEE}$ <sup>2</sup>	$0.5 \times T_{SCL}$ <sup>3</sup>		
$t_{HIGH}$	16	SCL High Time <sup>4</sup>	At 2.0V (both edges)	$8 \times T_{AEE}$	$0.5 \times T_{SCL}$		
$t_{I2CR}$	16	SCL, SDA Rise Time	From 0.8V to 2.0V <sup>1</sup>			0.25 <sup>4</sup>	$\mu s$
$t_{I2CF}$	16	SCL, SDA Fall Time <sup>4</sup>	From 2.0V to 0.8V <sup>1</sup>			100	ns
$t_{SU:DAT}$	17	SDA Setup Time <sup>4</sup>	Before SCL RE	$4 \times T_{AEE}$	$0.25 \times T_{SCL}$		
$t_{HD:DAT}$	17	SDA Hold Time <sup>4</sup>	After SCL FE	$4 \times T_{AEE}$	$0.25 \times T_{SCL}$		
$t_{SU:STA}$	17	SCL Setup Time <sup>4</sup>	Before Restart condition	$12 \times T_{AEE}$	$0.5 \times T_{SCL}$		
$t_{HD:STA}$	17	SCL Hold Time <sup>4</sup>	After Start/Restart condition	$4 \times T_{AEE}$	$0.5 \times T_{SCL}$		
$t_{SU:STO}$	17	SCL Setup Time <sup>4</sup>	Before Stop condition	$4 \times T_{AEE}$	$0.5 \times T_{SCL}$		
$t_{BUF}$	17	Bus Free Time <sup>4</sup>	Between Stop and Start conditions	$16 \times T_{AEE}$	$0.5 \times T_{SCL}$		
$t_{VD:DAT}$	17	Data Valid Time <sup>4</sup>	After SCL FE	$4 \times T_{AEE}$	$0.5 \times T_{SCL}$		
$t_{VD:ACK}$		Data Valid Acknowledge Time <sup>4</sup>	After SCL FE	$4 \times T_{AEE}$	$0.5 \times T_{SCL}$		

1. Test conditions:  $R_L = 1 \text{ K}\Omega$  to  $V_{DD} = 3.3V$ ,  $C_L = 100 \text{ pF}$  to GND.
2.  $T_{AEE}$  is the Processor core clock period.
3.  $T_{SCL}$  is the SCL clock period ( $1/f_{SCL}$ ).
4. Not tested; based on design simulation.

### 3.0 Device Specifications (Continued)

#### 3.5.7 SSI Timing

Symbol	Figure	Description	Conditions	Min	Typ	Max	Units
$t_T$	18	DCLK Cycle Time	At 1.3V DCLK RE to RE	1/64	1/64	1/32	$1/F_S^1$
$f_{DCLK}$		DCLK Frequency		32	64	64	$F_S^1$
$t_{LOW}$	18	DCLK Low Time	At 0.8V (both edges)	0.35	0.5		$t_T$
$t_{HIGH}$	18	DCLK High Time	At 2.0V (both edges)	0.35	0.5		$t_T$
$t_{HTR}$	18	Output Hold Time	After DCLK RE	15 ns	$0.5 * t_T$		
$t_{DTR}$	18	Output Valid Time	After DCLK RE		0.5	0.75	$t_T$
$t_{HR}$	18	Input Hold Time	After DCLK RE	2			$t_T$
$t_{SR}$	18	Input Setup Time	Before DCLK RE	0.2			$t_T$

1.  $F_S$  is the audio sampling frequency

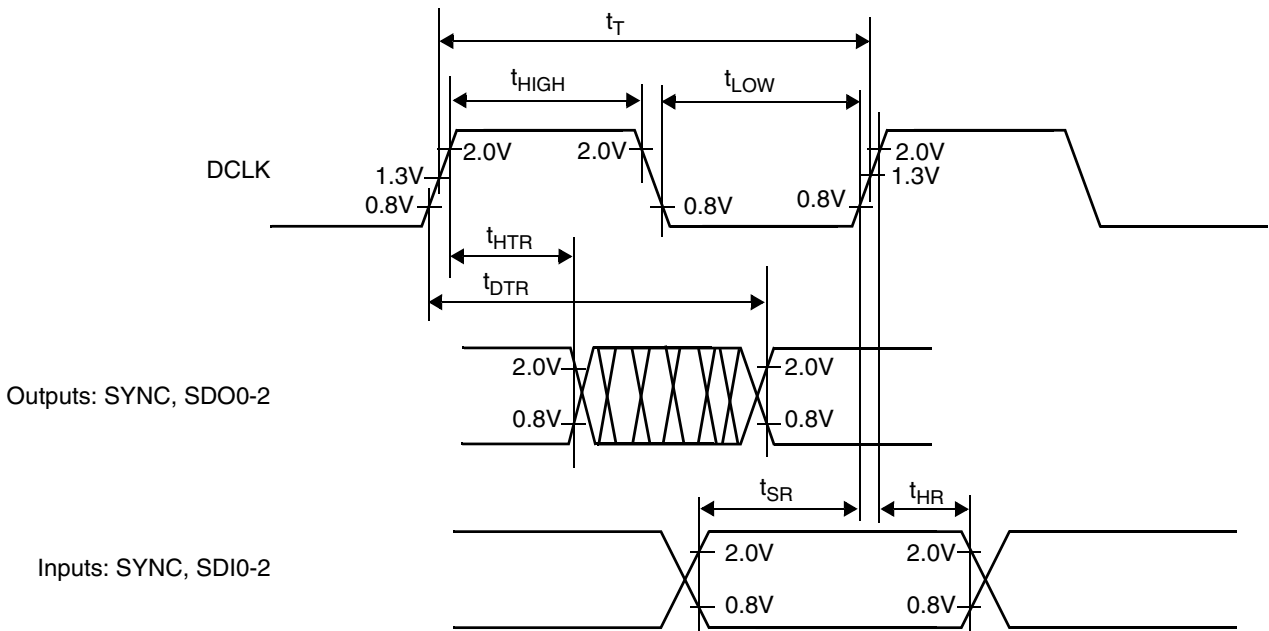


Figure 18. SSI Signal Timing

### 3.0 Device Specifications (Continued)

#### 3.6 PACKAGE THERMAL INFORMATION

Thermal resistance (degrees °C/W)  $\Theta_{JA}$  values for the NPCA110B packages are as follows:

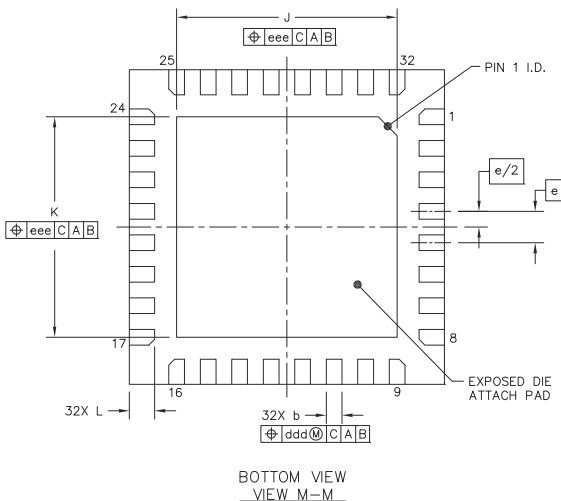
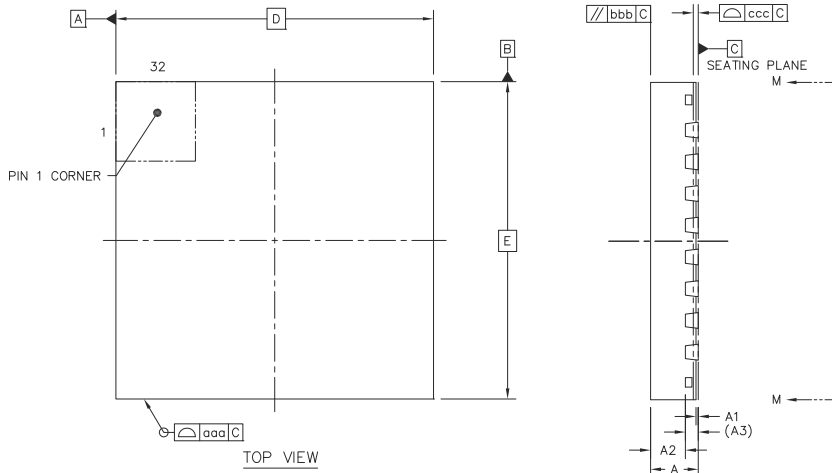
**Table 3. Theta ( $\Theta$ ) J-A Values**

Package	$\Theta_{JA}$ (Degrees Kelvin/Watt)		
	0 m/s	1 m/s	2 m/s
32-Pin QFN32	54	46	45

**Note:** All values apply to a device soldered to a 4-layer PCB.

### Physical Dimensions

Control dimensions are in millimeters.



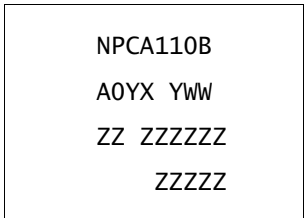
	SYMBOL	MIN	NOM	MAX	
TOTAL THICKNESS	A	0.7	0.75	0.8	
STAND OFF	A1	0	0.035	0.05	
MOLD THICKNESS	A2	---	0.55	0.57	
L/F THICKNESS	A3	0.203 REF			
LEAD WIDTH	b	0.2	0.25	0.3	
BODY SIZE	X	D 5 BSC			
	Y	E 5 BSC			
LEAD PITCH	e	0.5 BSC			
EP SIZE	X	J	3.4	3.5	3.6
	Y	K	3.4	3.5	3.6
LEAD LENGTH	L	0.35	0.4	0.45	
PACKAGE EDGE TOLERANCE	aaa	0.1			
MOLD FLATNESS	bbb	0.1			
COPLANARITY	ccc	0.08			
LEAD OFFSET	ddd	0.1			
EXPOSED PAD OFFSET	eee	0.1			

NOTES  
 1.0 COPLANARITY APPLIES TO LEADS, CORNER LEADS AND DIE ATTACH PAD.

### 32-Pin Quad Flat No-Lead (QFN) Package Order Number: NPCA110BA0YX

**Device topside mark specification:**

- 1st Line:** Part number - NPCA110B
- 2nd Line:** A0YX YWW.  
 A0 - End of part number; 'Y': QFN package indicator;  
 'X': Green package finish indicator.  
 YWW: Date Code.
- 3rd and 4th Lines:** Nuvoton proprietary information.
- Date code:** YWW, where Y is the year and WW is the week. For example, date code 035 indicates that device assembly was done on week 35, year 2010.



**Important Notice**

Nuvoton products are not designed, intended, authorized or warranted for use as components in systems or equipment intended for surgical implantation, atomic energy control instruments, airplane or spaceship instruments, transportation instruments, traffic signal instruments, combustion control instruments, or for other applications intended to support or sustain life. Furthermore, Nuvoton products are not intended for applications wherein failure of Nuvoton products could result or lead to a situation wherein personal injury, death or severe property or environmental damage could occur.

Nuvoton customers using or selling these products for use in such applications do so at their own risk and agree to fully indemnify Nuvoton for any damages resulting from such improper use or sales.

**Headquarters**

No. 4, Creation Rd. 3,  
Science-Based Industrial Park,  
Hsinchu, Taiwan, R.O.C  
TEL: 886-3-5770066  
FAX: 886-3-5665577  
<http://www.nuvoton.com.tw> (Chinese)  
<http://www.nuvoton.com> (English)

**Nuvoton Technology Corporation America**

2727 North First Street,  
San Jose, CA 95134, U.S.A.  
TEL: 1-408-544-1718  
FAX: 1-408-544-1787

**Nuvoton Technology (Shanghai) Ltd.**

27F, 2299 Yan An W. Rd.  
Shanghai, 200336 China  
TEL: 86-21-62365999  
FAX: 86-21-62365998

**Taipei Office**

9F, No.480, Rueiguang Rd.,  
Neihu District, Taipei, 114,  
Taiwan, R.O.C.  
TEL: 886-2-2658-8066  
FAX: 886-2-8751-3579

**Winbond Electronics Corporation Japan**

NO. 2 Ueno-Bldg., 7-18, 3-chome  
Shinyokohama Kohoku-ku,  
Yokohama, 222-0033  
TEL: 81-45-4781881  
FAX: 81-45-4781800

**Nuvoton Technology (H.K.) Ltd.**

Unit 9-15, 22F, Millennium City 2,  
378 Kwun Tong Rd.,  
Kowloon, Hong Kong  
TEL: 852-27513100  
FAX: 852-27552064

For Advanced PC Product Line information contact: [APC.Support@nuvoton.com](mailto:APC.Support@nuvoton.com)

Please note that all data and specifications are subject to change without notice.

All trademarks of products and companies mentioned in this document belong to their respective owners.

## X-ON Electronics

Largest Supplier of Electrical and Electronic Components

*Click to view similar products for [Interface - CODECs](#) category:*

*Click to view products by [Nuvoton](#) manufacturer:*

Other Similar products are found below :

[CS4205-KQZ](#) [WM8944BECS/R](#) [TSCS42A2X1NLGIZAX](#) [DA7219-02VBA](#) [TLC320AD52CPT](#) [TDA7293V-E](#) [WM8998ECS/R](#) [CS42L73-CRZR](#) [STA529Q](#) [TLV320AIC14IDBT](#) [TLV320AIC23BIPWRQ1](#) [TLV320AIC23IPW](#) [TLV320AIC34IZASR](#) [TLV320AIC3262IYZFR](#) [SGTL5000XNLA3R2](#) [CS42436-CMZ](#) [TLV320DAC3203IRGER](#) [DA7212-01UM2](#) [WM8904CGEFL/RV](#) [6PAIC3106IRGZRQ1](#) [CS42436-DMZ](#) [TSCS25A3X1NDGXZAX](#) [ISD17120PY](#) [6PAIC3109TRHBRQ1](#) [HT34118ANZ](#) [AD1835AASZ](#) [ADAU1961WBCPZ-R7](#) [AD1938WBSTZ](#) [AD1938WBSTZ-RL](#) [TLV320AIC33IGQE](#) [CS42448-DQZR](#) [WM8904CGEFL/V](#) [WM8994ECS/R](#) [CS4207-CNZ](#) [CS4234-ENZ](#) [CS42416-CQZ](#) [CS42426-CQZ](#) [CS42432-CMZ](#) [CS42432-DMZ](#) [CS42438-CMZ](#) [CS42448-CQZ](#) [CS42448-DQZ](#) [CS4244-CNZ](#) [CS4244-DNZ](#) [CS4245-CQZ](#) [CS42516-CQZ](#) [CS42526-CQZ](#) [CS42528-CQZ](#) [CS4265-CNZ](#) [CS4270-CZZ](#)