

# ARM® ARM926EJ-S Based 32-bit Microprocessor

## NUC970 Series Datasheet

*The information described in this document is the exclusive intellectual property of Nuvoton Technology Corporation and shall not be reproduced without permission from Nuvoton.*

*Nuvoton is providing this document only for reference purposes of ARM926EJ-S based system design. Nuvoton assumes no responsibility for errors or omissions.*

*All data and specifications are subject to change without notice.*

For additional information or questions, please contact: Nuvoton Technology Corporation.

[www.nuvoton.com](http://www.nuvoton.com)

Table of Contents

List of Figures ..... 7

List of Tables ..... 8

1 GENERAL DESCRIPTION..... 9

2 FEATURES ..... 10

    1.1 NUC970 Series Features .....10

3 PARTS INFORMATION LIST AND PIN CONFIGURATION ..... 17

    3.1 NUC970 Series Part Number Naming Guide .....17

    3.2 NUC970 Series Part Selection Guide .....18

    3.3 Pin Configuration .....19

        3.3.1 NUC972DFxxYC Pin Diagram..... 19

        3.3.2 NUC975DKxxYC Pin Diagram ..... 20

        3.3.3 NUC976DKxxYC Pin Diagram ..... 21

        3.3.4 NUC977DKxxYC Pin Diagram ..... 22

    3.4 Pin Description.....23

4 BLOCK DIAGRAM ..... 43

    4.1 NUC970 Series Block Diagram .....43

5 FUNCTIONAL DESCRIPTION ..... 44

    5.1 ARM® ARM926EJ-S CPU Core .....44

        5.1.1 Overview ..... 44

    5.2 System Manager .....45

        5.2.1 Overview ..... 45

    5.3 Clock Controller (CLK\_CTL).....45

        5.3.1 Overview ..... 45

        5.3.2 Features..... 45

    5.4 Advanced Interrupt Controller (AIC).....45

        5.4.1 Overview ..... 45

        5.4.2 Features..... 46

    5.5 SDRAM Interface Controller (SDIC).....46

        5.5.1 Overview ..... 46

        5.5.2 Features..... 47

    5.6 MTP Controller (MTP) .....47

        5.6.1 Overview ..... 47

5.6.2 Features..... 47

5.7 External Bus Interface (EBI) .....47

    5.7.1 Overview ..... 47

    5.7.2 Features..... 47

5.8 General Purpose I/O (GPIO) .....47

    5.8.1 Overview ..... 48

    5.8.2 Features..... 48

5.9 General DMA Controller (GDMA) .....48

    5.9.1 Overview ..... 48

    5.9.2 Features..... 48

5.10 Timer Controller (TMR) .....48

    5.10.1 Overview ..... 49

    5.10.2 Features..... 49

5.11 Enhance Timer Controller (ETMR) .....49

    5.11.1 Overview ..... 49

    5.11.2 Features..... 49

5.12 Pulse Width Modulation (PWM).....49

    5.12.1 Overview ..... 50

    5.12.2 Features..... 50

5.13 Watchdog Timer (WDT) .....50

    5.13.1 Overview ..... 50

    5.13.2 Features..... 50

5.14 Windowed Watchdog Timer (WWDT).....51

    5.14.1 Overview ..... 51

    5.14.2 Features..... 51

5.15 Real Time Clock (RTC).....52

    5.15.1 Overview ..... 52

    5.15.2 Features..... 52

5.16 UART Interface Controller (UART) .....53

    5.16.1 Overview ..... 53

    5.16.2 Features..... 54

5.17 Smart Card Host Interface (SC).....54

    5.17.1 Overview ..... 54

    5.17.2 Features..... 54

5.18 I<sup>2</sup>C Synchronous Serial Interface Controller (I<sup>2</sup>C) .....55

5.18.1 Overview ..... 55

5.18.2 Features ..... 55

5.19 SPI Interface Controller (SPI) ..... 56

5.19.1 Overview ..... 56

5.19.2 Features ..... 56

5.20 I<sup>2</sup>S Controller (I<sup>2</sup>S) ..... 56

5.20.1 Overview ..... 56

5.20.2 Features ..... 56

5.21 Ethernet MAC Controller (EMAC) ..... 57

5.21.1 Overview ..... 57

5.21.2 Features ..... 57

5.22 USB 2.0 Device Controller (USB D) ..... 57

5.22.1 Overview ..... 57

5.22.2 Features ..... 58

5.23 USB Host Controller (USB H) ..... 58

5.23.1 Overview ..... 58

5.23.2 Features ..... 58

5.24 Controller Area Network (CAN) ..... 58

5.24.1 Overview ..... 58

5.24.2 Features ..... 59

5.25 Flash Memory Interface (FMI) ..... 59

5.25.1 Overview ..... 59

5.25.2 Features: ..... 59

5.26 Secure Digital Host Controller (SDH) ..... 60

5.26.1 Overview ..... 60

5.26.2 Features ..... 60

5.27 Cryptographic Accelerator (CRYPTO) ..... 61

5.27.1 Overview ..... 61

5.27.2 Features ..... 61

5.28 2D Graphic Engine (GE2D) ..... 62

5.28.1 Overview ..... 62

5.28.2 Features ..... 62

5.29 JPEG Codec (JPEG) ..... 63

5.29.1 Overview ..... 63

5.29.2 Features ..... 63

5.30 LCD Display Interface Controller (LCM) .....64

    5.30.1 Overview ..... 64

    5.30.2 Features ..... 64

5.31 Capture Sensor Interface Controller (CAP) .....64

    5.31.1 Overview ..... 64

    5.31.2 Feature ..... 65

5.32 Analog to Digital Converter (ADC).....65

    5.32.1 Overview ..... 65

    5.32.2 Features ..... 65

**6 ELECTRICAL CHARACTERISTICS ..... 66**

6.1 Absolute Maximum Ratings.....66

6.2 ARM Microprocessor Power Performance .....66

6.3 DC Electrical Characteristics .....67

    6.3.1 NUC970 Series DC Electrical Characteristics ..... 67

6.4 AC Electrical Characteristics .....70

    6.4.1 External 4~24 MHz High Speed Oscillator ..... 70

    6.4.2 External 4~24 MHz High Speed Crystal ..... 71

    6.4.3 External 32.768 kHz Low Speed Crystal..... 72

    6.4.4 EBI Timing ..... 73

    6.4.5 I<sup>2</sup>C Interface Timing ..... 74

    6.4.6 SPI Interface Timing ..... 75

    6.4.7 I<sup>2</sup>S Interface Timing ..... 76

    6.4.8 Ethernet Interface Timing ..... 77

    6.4.9 NAND Interface Timing ..... 79

    6.4.10 SD Interface Timing ..... 80

    6.4.11 LCD Display Interface Timing..... 82

    6.4.12 Capture Sensor Interface Timing..... 83

6.5 Analog Characteristics.....84

    6.5.1 12-bit SARADC ..... 84

    6.5.2 Low Voltage Detection (LVD) and Low Voltage Reset (LVR) ..... 85

    6.5.3 3.3V Power-On Reset (POR33) ..... 86

    6.5.4 1.2V Power-On Reset (POR12) ..... 86

    6.5.5 USB 2.0 PHY ..... 86

**7 PACKAGE DIMENSIONS ..... 88**

7.1 216L LQFP (24x24x1.4mm footprint 2.0mm) .....88

7.2 128L LQFP (14x14x1.4mm footprint 2.0mm) .....89  
8 REVISION HISTORY ..... 90

**LIST OF FIGURES**

Figure 3-1 NUC970 Series Part Number Naming Guide ..... 17

Figure 3.3-1 NUC972DFxxYC LQFP 216-pin Pin Diagram ..... 19

Figure 3.3-2 NUC975DKxxYC LQFP 128-pin Pin Diagram ..... 20

Figure 3.3-2 NUC976DKxxYC LQFP 128-pin Pin Diagram ..... 21

Figure 3.3-3 NUC977DKxxYC LQFP 128-pin Pin Diagram ..... 22

Figure 6.4-1 External 4~24 MHz High Speed Oscillator Timing Diagram ..... 70

Figure 6.4-2 Typical HXT Crystal Application Circuit ..... 71

Figure 6.4-3 Typical LXT Crystal Application Circuit ..... 72

Figure 6.4-4 External Bus Interface Timing Diagram ..... 73

Figure 6.4-5 I<sup>2</sup>C Interface Timing Diagram ..... 74

Figure 6.4-6 SPI Interface Timing Diagram ..... 75

Figure 6.4-7 I<sup>2</sup>S Interface Timing Diagram ..... 76

Figure 6.4-8 RMI Interface Timing Diagram ..... 77

Figure 6.4-9 Ethernet PHY Management Interface Timing Diagram ..... 78

Figure 6.4-10 NAND Interface Timing Diagram ..... 79

Figure 6.4-11 SD Interface Default Mode Timing Diagram ..... 80

Figure 6.4-12 SD Interface High-Speed Mode Timing Diagram ..... 81

Figure 6.4-13 LCD Display Interface SYNC Type Timing Diagram ..... 82

Figure 6.4-14 Capture Sensor Interface Timing Diagram ..... 83

**LIST OF TABLES**

No table of figures entries found.



## 1 GENERAL DESCRIPTION

The NUC970 series targeted for general purpose 32-bit microcontroller embeds an outstanding CPU core ARM926EJ-S, a RISC processor designed by Advanced RISC Machines Ltd., runs up to 300 MHz, with 16 KB I-cache, 16 KB D-cache and MMU, 56KB embedded SRAM and 16 KB IBR (Internal Boot ROM) for booting from USB, NAND and SPI FLASH.

The NUC970 series integrates two 10/100 Mb Ethernet MAC controllers, USB 2.0 HS HOST/Device controller with HS transceiver embedded, TFT type LCD controller, CMOS sensor I/F controller, 2D graphics engine, DES/3DES/AES crypto engine, I<sup>2</sup>S I/F controller, SD/MMC/NAND FLASH controller, GDMA and 8 channels 12-bit ADC controller with resistance touch screen functionality. It also integrates UART, SPI/MICROWIRE, I<sup>2</sup>C, CAN, LIN, PWM, Timer, WDT/Windowed-WDT, GPIO, Smart Card I/F, 32.768 KHz XTL for RTC (Real Time Clock) and an External Bus Interface (EBI) that supports SRAM and external device with DMA request and ack.

In addition, the NUC970 series stacked a SDRAM with DDR or DDR2 type in LQFP package that to ease PCB design and reduce the BOM cost.

## 2 FEATURES

### 1.1 NUC970 Series Features

#### Core

- ARM® ARM926EJ-S™ processor core runs up to 300 MHz
- Support 16 KB instruction cache and 16 KB data cache
- Support MMU
- Support JTAG Debug interface

#### External Bus Interface (EBI)

- Support SRAM and external I/O devices
- Support 8/16-bit data bus width
- Support up to five chip selects for SRAM and external I/O devices
- Support programmable access cycle
- Support four 32-bit write buffers
- DDR SDRAM Controller
  - Support DDR and DDR2 SDRAM
  - Clock speed up to 150 MHz
  - Support 16-bit data bus width
  - Memory size depended on embedded SDRAM configuration by different part number.
- Embedded SRAM and ROM
  - Support 56K bytes embedded SRAM
  - Support 16K bytes Internal Boot ROM (IBR)
  - Support up to four booting modes
  - Boot from USB
  - Boot from eMMC
  - Boot from NAND Flash
  - Boot from SPI Flash
- Clock Control
  - Support two PLLs, up to 500 MHz, for high performance system operation
  - External 12 MHz high speed crystal input for precise timing operation
  - External 32.768 kHz low speed crystal input for RTC function and low speed clock source
- Ethernet MAC Controller
  - Support up to 2 Ethernet MAC controllers
  - Support IEEE Std. 802.3 CSMA/CD protocol
  - Support packet time stamping for IEEE Std. 1588 protocol
  - Support 10 and 100 Mbps operations
  - Support Half- and Full-duplex operations
  - Support RMII interface to Ethernet physical layer PHY
  - Support Ethernet physical layer PHY management through MDC and MDIO interface
  - Support flow control in Full-duplex mode to receive, recognize and transmit PAUSE frame
  - Support CAM-like function to recognize 48-bit Ethernet MAC address
  - Support Wake-On-LAN by detecting Magic Packet
  - Support 256 bytes transmit FIFO and 256 bytes receive FIFO
  - Support DMA function
  - Support internal loop back mode for diagnostic
- USB 2.0 Controller
  - Support USB Revision 2.0 specification
  - Support one set of USB 2.0 High-Speed (HS) Device/Host with embedded transceiver

- Support one set of USB 2.0 High-Speed (HS) Host with embedded transceiver
- Support Control, Bulk, Interrupt, Isochronous and Split transfers
- Support USB host function compliant to Enhanced Host Controller Interface (EHCI) 1.0 specification to connect with USB 2.0 High-Speed (HS) device.
- Support USB host function compliant to Open Host Controller Interface (OHCI) 1.0 specification to connect with USB 1.1 Full-Speed (FS) and Low-Speed (LS) devices
- Support USB High-Speed (HS) and Full-Speed (FS) device function
- Support USB device function with 1 endpoint for Control IN/OUT transfers and 12 programmable endpoints for Bulk, Interrupt and Isochronous IN/OUT transfers
- Support suspend, resume and remote wake-up capability
- Support DMA function
- Support 2048 Bytes internal SRAM for USB host function and 4096 Bytes internal SRAM for USB device function
- Flash Memory Interface
  - Support NAND flash interface
  - Support 8-bit data bus width
  - Support SLC and MLC type NAND flash device
  - Support 512 B, 2 KB, 4 KB and 8 KB page size NAND flash device
  - Support ECC4, ECC8, ECC12, ECC15 and ECC24 BCH algorithm for ECC code generation, error detection and error correction.
  - Support eMMC flash interface
  - Support DMA function to accelerate the data transfer between system memory and NAND and eMMC flash.
- I<sup>2</sup>S Controller
  - Support I<sup>2</sup>S interface
    - ◆ Support both mono and stereo
    - ◆ Support both record and playback
    - ◆ Support 8-bit, 16-bit 20-bit and 24-bit data precision
    - ◆ Support master and slave mode
  - Support PCM interface
    - ◆ Support 2 slots mode to connect 2 device
    - ◆ Support 8-bit, 16-bit 20-bit and 24-bit data precision
    - ◆ Support master mode
  - Support four 8x24 (8 24-bit) buffer for left/right channel record and left/right playback
  - Support DMA function to accelerate the data transfer between system memory and internal buffer
  - Support 2 buffer address for left/right channel and 2 slots data transfer
- LCD Display Controller
  - Support 8/9/16/18/24-bit data with to connect with 80/68 series MPU type LCD module
  - Support resolution up to 1024x768
  - Support data format conversion from RGB444, RGB565, RGB666, RGB888, YUV422 and YUV444 to RGB444, RGB565, RGB666, RGB888, YUV422 and YUV444 for display output
  - Support CCIR-656 (with VSYNC, HSYNC and data enable sync signal) 8/16-bit YUV data output to connect with external TV encoder
  - Support 8/16 bpp OSD data with video overlay function to facilitate the diverse graphic UI
  - Support linear 1X to 8X image scaling up function
  - Support Picture-In-Picture display function
  - Support hardware cursor
- Capture (CMOS Sensor Interface)
  - Support CCIR601 & CCIR656 interfaces to connect with CMOS image sensor
  - Support resolution up to 3M pixels

- Support YUV422 and RGB565 color format for data output by CMOS image sensor
- Support YUV422, RGB565, RGB555 and Y-only color format for data storing to system memory
- Support planar and packet data format for data storing to system memory
- Support image cropping and the cropping window is up to 4096x2048
- Support image scaling-down:
- Support vertical and horizontal scaling-down for preview mode
- Support N/M scaling factor where N is equal to or less than M
- Support 2 pairs of configurable 16-bit N and 16-bit M
- Support to combine two interlace-fields to a single frame for data output by TV-decoder.
- Support 3 color processing effects
- Negative picture
- Sepia picture
- Posterization
- 2D Graphic Engine
  - Support 2D Bit Block Transfer (BitBLT) functions defined in Microsoft GDI
  - Support Host BLT
  - Support Pattern BLT
  - Support Color/Font Expanding BLT
  - Support Transparent BLT
  - Support Tile BLT
  - Support Block Move BLT
  - Support Copy File BLT
  - Support Color/Font Expansion
  - Support Rectangle Fill
  - Support RGB332/RGB565/RGB888 data format.
  - Support fore/background colors and all Microsoft 256 ternary raster-operation codes (ROP)
  - Support both inside and outside clipping function
  - Support alpha-blending for source/destination picture overlaying
  - Support fast Bresenham line drawing algorithm to draw solid/textured line
  - Support rectangular border and frame drawing
  - Support picture re-sizing
  - Support down-scaling from 1/255 to 254/255
  - Support up-scaling from 1 to 1.996 (1+254/255)
  - Support object rotation with different degree
  - Support L45 (45 degree left rotation) and L90 (90 degree left rotation)
  - Support R45 (45 degree right rotation) and R90 (90 degree right rotation)
  - Support M180 (mirror/flop)
  - Support F180 (up-side-down (flip) and X180 (180 degree rotation)
- JPEG Codec
  - Support Baseline Sequential mode JPEG codec function compliant with ISO/IEC 10918-1 international JPEG standard
  - Planar Format
  - Support to encode interleaved YCbCr 4:2:2/4:2:0 and gray-level (Y only) format image
  - Support to decode interleaved YCbCr 4:4:4/4:2:2/4:2:0/4:1:1 and gray-level (Y only) format image
  - Support to decode YCbCr 4:2:2 transpose format
  - Support arbitrary width and height image encode and decode
  - Support three programmable quantization-tables
  - Support standard default Huffman-table and programmable Huffman-table for decode
  - Support arbitrarily 1X~8X image up-scaling function for encode mode
  - Support down-scaling function for encode and decode modes

- Support specified window decode mode
- Support quantization-table adjustment for bit-rate and quality control in encode mode
- Support rotate function in encode mode
- Packet Format
- Support to encode interleaved YUYV format input image, output bit stream 4:2:2 and 4:2:0 format
- Support to decode interleaved YCbCr 4:4:4/4:2:2/4:2:0 format image
- Support decoded output image RGB555, RGB565 and RGB888 formats.
- The encoded JPEG bit-stream format is fully compatible with JFIF and EXIF standards
- Support arbitrary width and height image encode and decode
- Support three programmable quantization-tables
- Support standard default Huffman-table and programmable Huffman-table for decode
- Support arbitrarily 1X~8X image up-scaling function for encode mode
- Support down-scaling function 1X~ 16X for Y422 and Y420, 1X~ 8X for Y444 for decode mode
- Support specified window decode mode
- Support quantization-table adjustment for bit-rate and quality control in encode mode
- Crypto Engine
  - PRNG
  - Support 64-bit, 128-bit, 192-bit and 256-bit key generation
  - DES
  - Support FIPS 46-3
  - Support both encryption and decryption
  - Support ECB, CBC, CFB, OFB and CTR modes
  - 3DES
  - Support FIPS NIST 800-67
  - Implements according to the X9.52 standard
  - Support 112-bit and 168-bit key
  - Support both encryption and decryption
  - Support ECB, CBC, CFB, OFB and CTR modes
  - AES
  - Support FIPS NIST 197
  - Support SP800-38A & addendum
  - Support 128-bit, 192-bit and 256-bit key
  - Support both encryption and decryption
  - Support ECB, CBC, CFB, OFB , CTR, CBC-CS1, CBC-CS2 and CBC-CS3 modes
  - Support Key Expander
  - SHA/HMAC
  - Support FIPS NIST 180, 180-1, 180-2
  - Support SHA-160, SHA-224, SHA-256, SHA-384, SHA-512 and corresponding HMAC algorithm
  - Support 128-bit MTP key
- GDMA (General DMA)
  - Support 2 channels GDMA for memory-to-memory data transfer without CPU intervention
  - Support increment and decrement for source and destination address calculation
  - Support 8-bit, 16-bit and 32-bit width data transfer
  - Support four 8-bit/16-bit/32-bit burst transfer
- UART
  - Support up to 11 UART controllers
  - Support 1 UART (UART 1) port with full model function (TXD, RXD, CTS, RTS, CDn, RIn, DTR and DSR) and 64-byte FIFO
  - Support 5 UART (UART 2/4/6/8/10) ports with flow control (TXD, RXD, CTS and RTS) and 64-byte FIFO

- Support 5 TXD/RXD only UART ports (UART 0/3/5/7/9) with 16-byte FIFO for standard device
- Support IrDA (SIR) and LIN function
- Support RS-485 9-bit mode and direction control
- Support programmable baud-rate generator up to 1/16 system clock
- C-CAN
  - Supports CAN protocol version 2.0 part A and B
  - Bit rates up to 1M bit/s
  - 32 Message Objects
  - Each Message Object has its own identifier mask
  - Programmable FIFO mode (concatenation of Message Object)
  - Maskable interrupt
  - Disabled Automatic Re-transmission mode for Time Triggered CAN applications
  - Support power down wake-up function
- Smart Card Host (SC)
  - Compliant to ISO-7816-3 T=0, T=1
  - Supports up to two ISO-7816-3 ports
  - Separate receive / transmit 4 bytes entry FIFO for data payloads
  - Programmable transmission clock frequency
  - Programmable receiver buffer trigger level
  - Programmable guard time selection (11 ETU ~ 266 ETU)
  - One 24-bit and two 8-bit time-out counters for Answer to Request (ATR) and waiting times processing
  - Supports auto inverse convention function
  - Supports transmitter and receiver error retry and error limit function
  - Supports hardware activation sequence process
  - Supports hardware warm reset sequence process
  - Supports hardware deactivation sequence process
  - Supports hardware auto deactivation sequence when detecting the card removal
- Timer
  - Support 5 sets of 32-bit timers with 24-bit up-timer and one 8-bit pre-scale counter
  - Independent clock source for each timer
  - Support one-shot, periodic, toggle and continuous operation modes
- Enhanced Timer
  - Support 4 sets of 32-bit timers with 24-bit up-timer and one 8-bit pre-scale counter
  - Independent clock source for each timer
  - Support one-shot, periodic, toggle and continuous operation modes
  - Supports external pin capture for interval measurement
  - Supports external pin capture for timer counter reset
- Watchdog Timer
  - Multiple clock sources
  - 8 selectable time out period from 1.333us ~ 14.316sec (depends on clock source)
  - WDT can wake-up from power down or idle mode
  - Interrupt or reset selectable on watchdog timer time-out
- Windowed-Watchdog Timer
  - 6-bit down counter with 11-bit pre-scale for wide range window selected
  - Interrupt on windowed-watchdog timer time-out
  - Reset on windowed-watchdog timer time out or reload in an unexpected time window
- Real Time Clock (RTC)
  - Supports software compensation by setting frequency compensate register (FCR)
  - Supports RTC counter (second, minute, hour) and calendar counter (day, month, year)

- Supports Alarm registers (second, minute, hour, day, month, year)
- Selectable 12-hour or 24-hour mode
- Automatic leap year recognition
- Supports periodic time tick interrupt with 8 period options 1/128, 1/64, 1/32, 1/16, 1/8, 1/4, 1/2 and 1 second
- Supports battery power pin (VBAT)
- Supports wake-up function
- PWM
  - Built-in up to two 16-bit PWM generators provide four PWM outputs
  - Each PWM generator equipped with one clock source selector, one clock divider, one 8-bit pre-scale, two 16-bit counters, and one Dead-Zone generator
- SPI
  - Built-in up to two sets of SPI controller
  - Support SPI master mode
  - Support single/dual/quad bit data bus width
  - Full duplex synchronous serial data transfer
  - Variable length of transfer data from 8 to 32 bits
  - MSB or LSB first data transfer
  - Support burst mode operation that transmission and reception can be executed up to four times in a transfer
  - Support 2 slave/device select lines
- I<sup>2</sup>C
  - Up to two sets of I<sup>2</sup>C device
  - Support master mode
  - Bidirectional data transfer between masters and slaves
  - Multi-master bus (no central master)
  - Arbitration between simultaneously transmitting masters without corruption of serial data on the bus
  - Serial clock synchronization allows devices with different bit rates to communicate via one serial bus
  - Serial clock synchronization can be used as a handshake mechanism to suspend and resume serial transfer
  - Programmable clocks allow versatile rate control
  - Support software mode to generate I<sup>2</sup>C signaling
- Advanced Interrupt Controller
  - Support 58 interrupt sources, including 8 external interrupt sources
  - Support programmable normal or fast interrupt mode (IRQ, FIQ)
  - Support programmable edge-triggered or level-sensitive for 8 external interrupt sources
  - Support programmable low-active or high-active for 8 external interrupt sources
  - Support encoded priority methodology to allow for interrupt daisy-chaining
  - Support lower priority interrupt automatically mask out for nested interrupt
  - Support to clear interrupt flag automatically if interrupt source is programmed as edge-triggered
- GPIO
  - TTL/Schmitt trigger input selectable
  - I/O pin can be configured as interrupt source with edge/level setting
  - Support pull-up and pull-down control
- ADC
  - 12-bit SAR ADC with 800K/160K SPS
  - Up to 8-ch single-end input



- Support up to 800K SPS in channel 1 and up to 160K SPS in others channels.
- Support 4-wire or 5-wire resistance touch screen interface
- Support touch pressure measurement for 4-wire touch screen application
- Support pen down detection
- Support battery measurement
- Support keypad scan
- MTP
  - Support 256-bit programmable memory for key of Crypto functionality
  - Support up to 15 times of programming and erase.
- Low Voltage Detect (LVD) and Low Voltage Reset (LVR)
  - Support two, 2.6V and 2.8V, voltage detection levels
  - Interrupt when low voltage detected
  - Reset when low voltage detected
  - Low voltage reset threshold voltage levels: 2.4 V
- Power Management
  - Advanced power management including Power Down, Deep Standby, CPU Standby and Normal Operating modes
  - Normal Operating mode
    - ◆ CPU run normally and all clocks on, the current consumption of CORE\_VDD is around 185 mA (at CPU/DRAM clock is 300/150 MHz CPU).
  - CPU Standby mode
    - ◆ CPU clock stop, and all other clocks on.
  - Deep Standby mode
    - ◆ All clocks stop, except LXT, with SRAM retention, and the current consumption of CORE\_VDD is typically 3 mA
  - Power Down mode
    - ◆ All powers are off except RTC\_VDD (3.3V) and the current consumption of RTC\_VDD is typically 7uA with RTC functionality on.
- Operating Voltage
  - 1.2V for core logic operating
  - 1.8V for DDR or DDR2 SDRAM I/O operating
  - 3.3V for normal I/O operating
- Operating Temperature: -40°C ~85°C
- Packages:
  - All Green package (RoHS)
  - LQFP 216-pin
  - LQFP 128-pin



3 PARTS INFORMATION LIST AND PIN CONFIGURATION

3.1 NUC970 Series Part Number Naming Guide

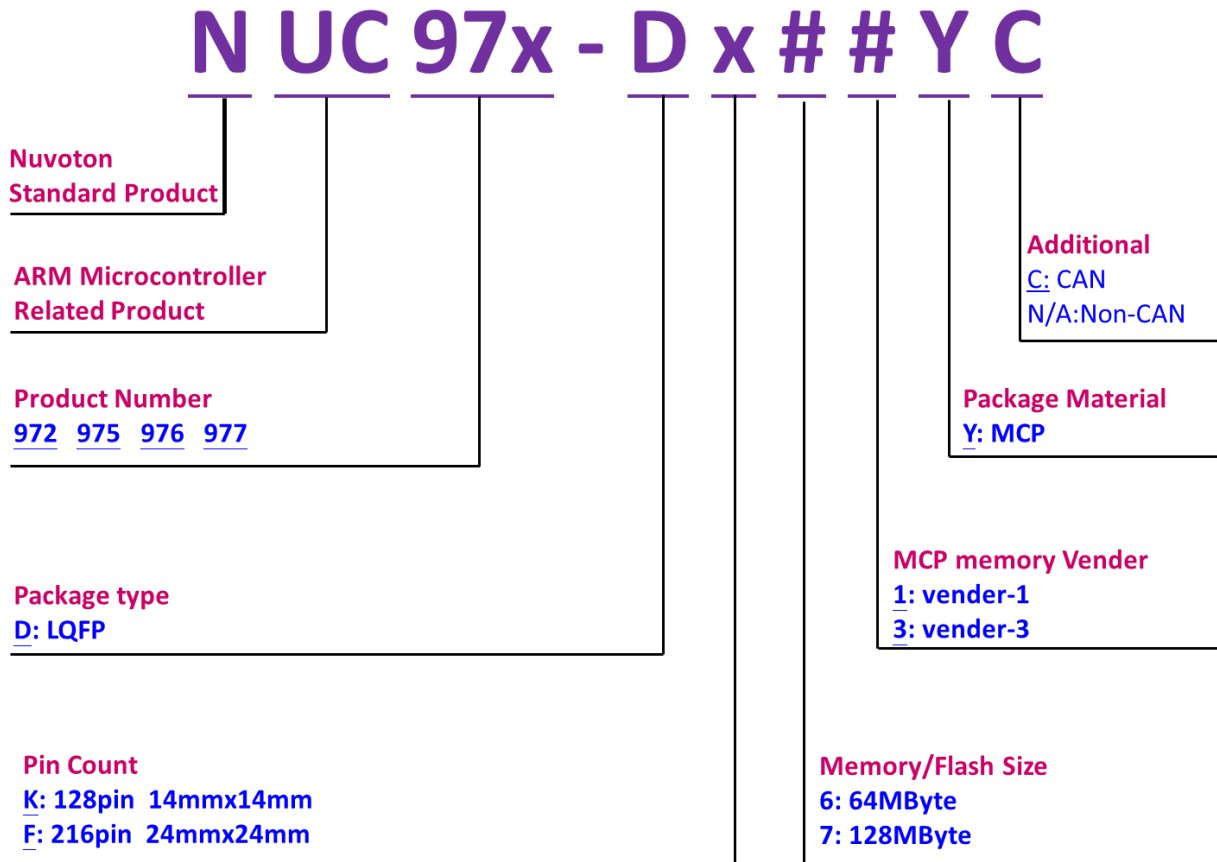


Figure 3-1 NUC970 Series Part Number Naming Guide



### 3.3 Pin Configuration

#### 3.3.1 NUC972DFxxYC Pin Diagram

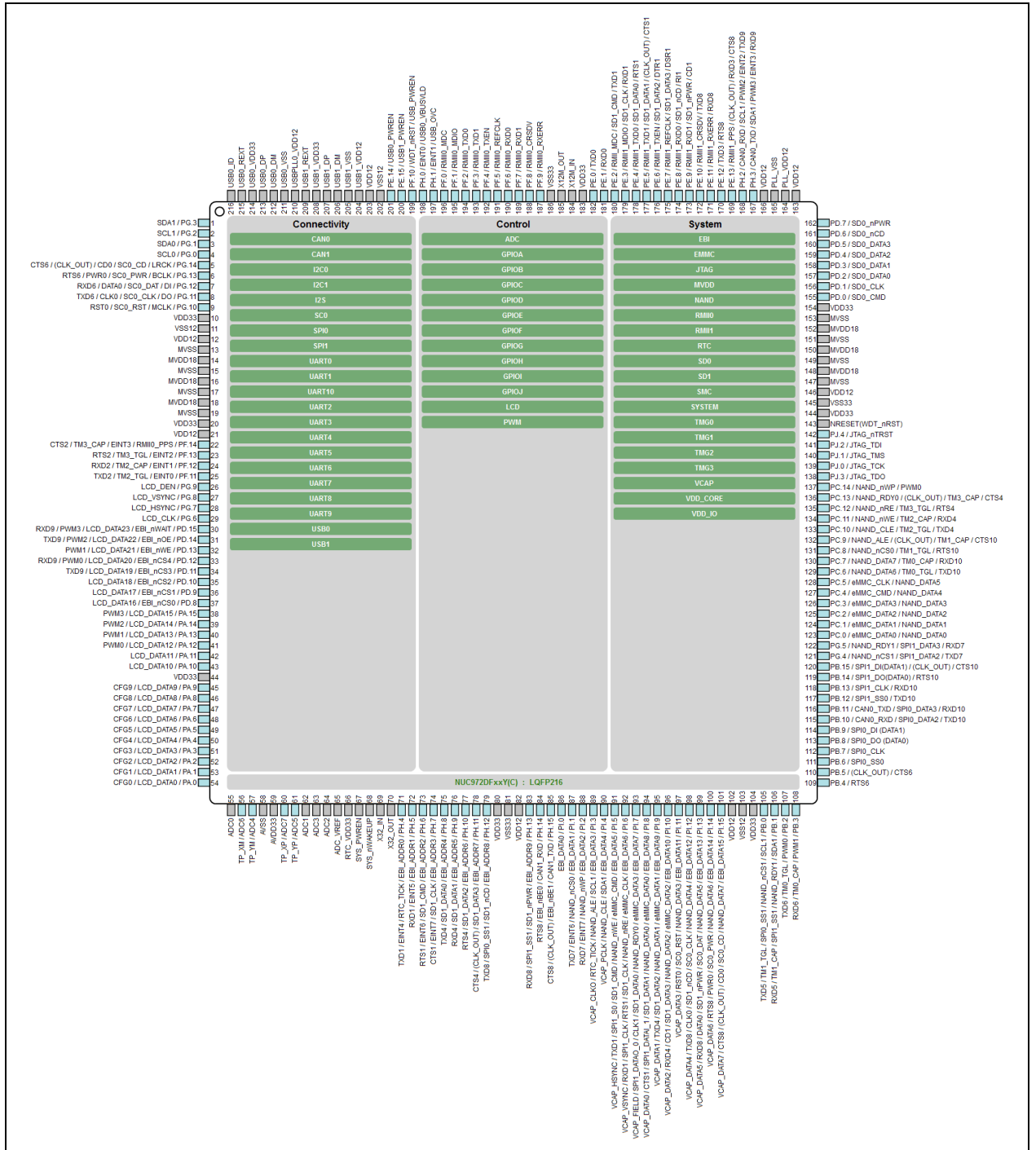


Figure 3.3-1 NUC972DFxxYC LQFP 216-pin Pin Diagram

3.3.2 NUC975DKxxYC Pin Diagram

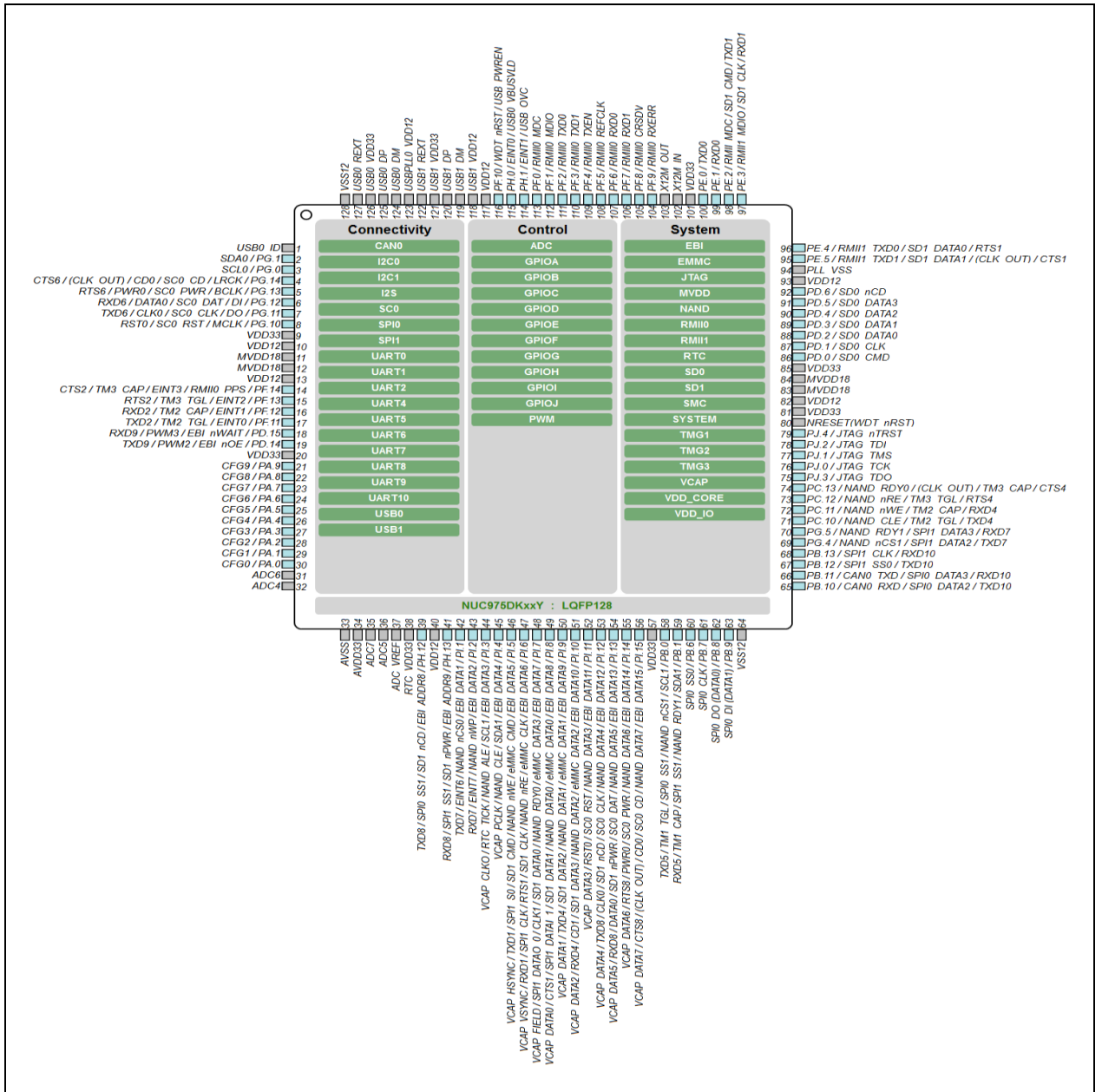


Figure 3.3-2 NUC975DKxxYC LQFP 128-pin Pin Diagram

3.3.3 NUC976DKxxYC Pin Diagram

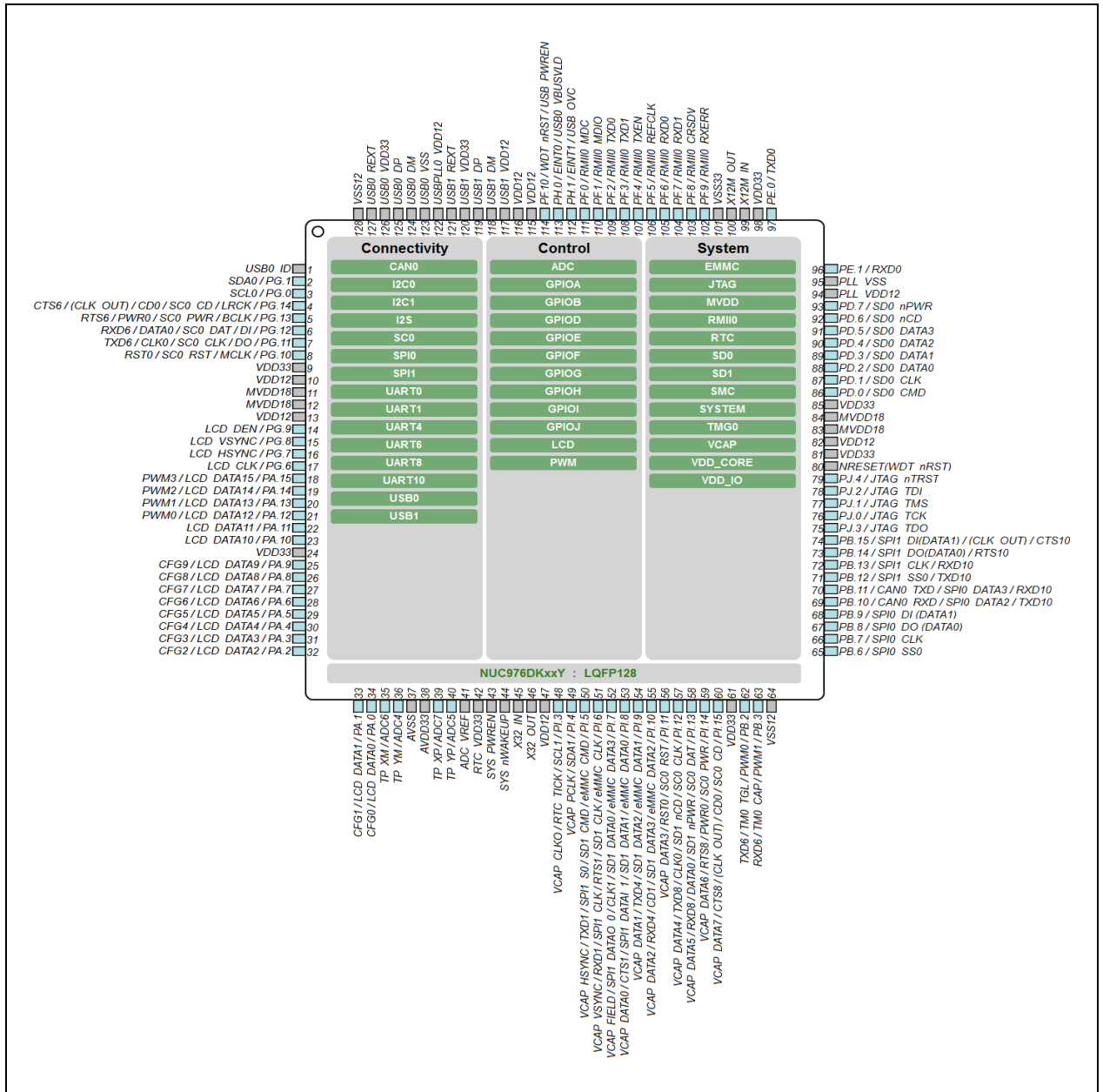


Figure 3.3-3 NUC976DKxxYC LQFP 128-pin Pin Diagram

3.3.4 NUC977DKxxYC Pin Diagram

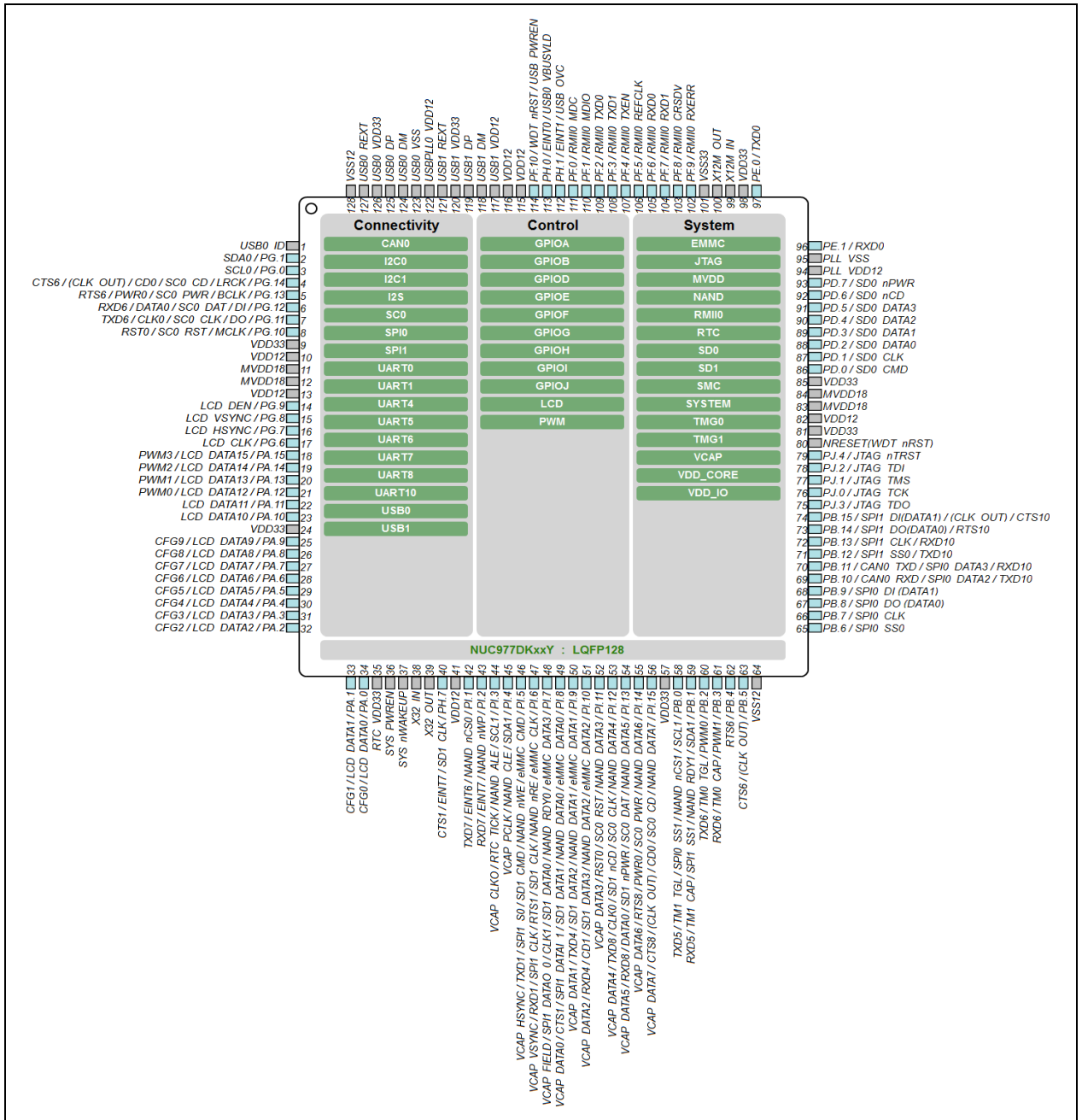


Figure 3.3-4 NUC977DKxxYC LQFP 128-pin Pin Diagram

### 3.4 Pin Description

| NUC972<br>DFxxYC | NUC975<br>DKxxYC | NUC976<br>DKxxYC | NUC977<br>DKxxYC | Pin Name  | Pin Type | Description  |
|------------------|------------------|------------------|------------------|-----------|----------|--|
| 1                | -                | -                | -                | PG.3      | I/O      | General purpose digital I/O pin Port G Pin 3   |
|                  |                  |                  |                  | I2C1_SDA  | I/O      | I <sup>2</sup> C 1 data input/output pin   |
| 2                | -                | -                | -                | PG.2      | I/O      | General purpose digital I/O pin Port G Pin 2   |
|                  |                  |                  |                  | I2C1_SCL  | O        | I <sup>2</sup> C 1 clock pin   |
| 3                | 2                | 2                | 2                | PG.1      | I/O      | General purpose digital I/O pin Port G Pin 1   |
|                  |                  |                  |                  | I2C0_SDA  | I/O      | I <sup>2</sup> C 0 data input/output pin   |
| 4                | 3                | 3                | 3                | PG.0      | I/O      | General purpose digital I/O pin Port G Pin 0   |
|                  |                  |                  |                  | I2C0_SCL  | O        | I <sup>2</sup> C 0 clock pin   |
| 5                | 4                | 4                | 4                | PG.14     | I/O      | General purpose digital I/O pin Port G Pin 14  |
|                  |                  |                  |                  | I2S_LRCK  | O        | I <sup>2</sup> S left right channel clock  |
|                  |                  |                  |                  | UART6_CTS | I        | Clear to send input pin for UART6  |
|                  |                  |                  |                  | SC0_CD    | I        | SmartCard0 card detect pin   |
|                  |                  |                  |                  | CLK_OUT   | O        | Reference Clock Output<br>Note. about CLK output programming please refer CLK_DIVCTL9 of TRM |
| 6                | 5                | 5                | 5                | PG.13     | I/O      | General purpose digital I/O pin Port G Pin 13  |
|                  |                  |                  |                  | I2S_BCLK  | I        | I <sup>2</sup> S bit clock pin   |
|                  |                  |                  |                  | UART6_RTS | O        | Request to send output pin for UART 6  |
|                  |                  |                  |                  | SC0_PWR   | O        | SmartCard 0 power pin  |
| 7                | 6                | 6                | 6                | PG.12     | I/O      | General purpose digital I/O pin Port G Pin 12  |
|                  |                  |                  |                  | I2S_DI    | I        | I <sup>2</sup> S data input  |
|                  |                  |                  |                  | UART6_RXD | I        | Data receiver input pin for UART 6   |
|                  |                  |                  |                  | SC0_DAT   | I/O      | SmartCard 0 data pin   |
| 8                | 7                | 7                | 7                | PG.11     | I/O      | General purpose digital I/O pin Port G Pin 11  |
|                  |                  |                  |                  | I2S_DO    | O        | I <sup>2</sup> S data output   |
|                  |                  |                  |                  | UART6_TXD | O        | Data transmitter output pin for UART 6   |
|                  |                  |                  |                  | SC0_CLK   | O        | SmartCard 0 clock pin  |
| 9                | 8                | 8                | 8                | PG.10     | I/O      | General purpose digital I/O pin Port G Pin 10  |
|                  |                  |                  |                  | I2S_MCLK  | O        | I <sup>2</sup> S master clock output pin   |
|                  |                  |                  |                  | SC0_RST   | O        | SmartCard 0 reset pin  |

|    |    |    |    |           |     |  |
|----|----|----|----|-----------|-----|--|
| 10 | 9  | 9  | 9  | IO_VDD    | P   | I/O power pin (3.3V)   |
| 11 | -  | -  | -  | VSS       | P   | Ground pin   |
| 12 | 10 | 10 | 10 | CORE_VDD  | P   | Internal core power pin (1.2V)   |
| 13 | -  | -  | -  | VSS       | P   | Ground pin   |
| 14 | 11 | 11 | 11 | DDR_VDD   | P   | DDR power pin (1.8V)   |
| 15 | -  | -  | -  | VSS       | P   | Ground pin   |
| 16 | 11 | 11 | 11 | DDR_VDD   | P   | DDR power pin (1.8V)   |
| 17 | -  | -  | -  | VSS       | P   | Ground pin   |
| 18 | 12 | 12 | 12 | DDR_VDD   | P   | DDR power pin (1.8V)   |
| 19 | -  | -  | -  | VSS       | P   | Ground pin   |
| 20 | -  | -  | -  | IO_VDD    | P   | I/O power pin (3.3V)   |
| 21 | 13 | 13 | 13 | CORE_VDD  | P   | Internal core power pin (1.2V)   |
| -  | -  | -  | -  | PF.15     | I/O | General purpose digital I/O pin Port F Pin 15                            |
| -  | -  | -  | -  | INT4      | I   | External interrupt 4 input pin<br>Note. support deep standby mode wakeup |
| 22 | 14 | -  | -  | PF.14     | I/O | General purpose digital I/O pin Port F Pin 14                            |
|    |    |    |    | UART2_CTS | I   | Clear to send input pin for UART 2                                       |
|    |    |    |    | TM3_CAP   | I   | Enhanced TIMER 3 capture input pin                                       |
|    |    |    |    | INT3      | I   | External interrupt 3 input pin<br>Note. support deep standby mode wakeup |
| 23 | 15 | -  | -  | PF.13     | I/O | General purpose digital I/O pin Port F Pin 13                            |
|    |    |    |    | UART2_RTS | O   | Request to send output pin for UART 2                                    |
|    |    |    |    | TM3_TGL   | O   | Enhanced TIMER 3 toggle output pin                                       |
|    |    |    |    | INT2      | I   | External interrupt 2 input pin<br>Note. support deep standby mode wakeup |
| 24 | 16 | -  | -  | PF.12     | I/O | General purpose digital I/O pin Port F Pin 12                            |
|    |    |    |    | UART2_RXD | I   | Data receiver input pin for UART 2                                       |
|    |    |    |    | TM2_CAP   | I   | Enhanced TIMER 2 capture input pin                                       |
|    |    |    |    | INT1      | I   | External interrupt 1 input pin and support deep standby mode wakeup      |
| 25 | 17 | -  | -  | PF.11     | I/O | General purpose digital I/O pin Port F Pin 11                            |
|    |    |    |    | UART2_TXD | O   | Data transmitter output pin for UART 2                                   |
|    |    |    |    | TM2_TGL   | O   | Enhanced TIMER 2 toggle output pin                                       |
|    |    |    |    | INT0      | I   | External interrupt 0 input pin<br>Note.support deep standby mode wakeup  |
| 26 | -  | 14 | 14 | PG.9      | I/O | General purpose digital I/O pin Port G Pin 9                             |



|    |    |    |    |            |     |   |
|----|----|----|----|------------|-----|---|
|    |    |    |    | LCD_DEN    | O   | Data enable or display control signal         |
| 27 | -  | 15 | 15 | PG.8       | I/O | General purpose digital I/O pin Port G Pin 8  |
|    |    |    |    | LCD_VSYNC  | O   | Vertical sync or frame sync                   |
| 28 | -  | 16 | 16 | PG.7       | I/O | General purpose digital I/O pin Port G Pin 7  |
|    |    |    |    | LCD_HSYNC  | O   | Horizontal sync or line sync                  |
| 29 | -  | 17 | 17 | PG.6       | I/O | General purpose digital I/O pin Port G Pin 6  |
|    |    |    |    | LCD_CLK    | O   | Pixel clock output                            |
| 30 | 18 | -  | -  | PD.15      | I/O | General purpose digital I/O pin Port D Pin 15 |
|    |    |    |    | LCD_DATA23 | O   | LCD pixel data output bit 23                  |
|    |    |    |    | UART9_RXD  | I   | Data receiver input pin for UART 9            |
|    |    |    |    | PWM3       | O   | PWM 3 output pin                              |
|    |    |    |    | EBI_nWAIT  | I   | External I/O waiting control                  |
| 31 | 19 | -  | -  | PD.14      | I/O | General purpose digital I/O pin Port D Pin 14 |
|    |    |    |    | LCD_DATA22 | O   | LCD pixel data output bit 22                  |
|    |    |    |    | UART9_TXD  | O   | Data transmitter output pin for UART9         |
|    |    |    |    | PWM2       | O   | PWM 2 output pin                              |
|    |    |    |    | EBI_nOE    | O   | External I/O output enable                    |
| 32 | -  | -  | -  | PD.13      | I/O | General purpose digital I/O pin Port D Pin 13 |
|    |    |    |    | LCD_DATA21 | O   | LCD pixel data output bit 21                  |
|    |    |    |    | PWM1       | O   | PWM 1 output pin                              |
|    |    |    |    | EBI_nWE    | O   | External I/O chip write enable                |
| 33 | -  | -  | -  | PD.12      | I/O | General purpose digital I/O pin Port D Pin 12 |
|    |    |    |    | LCD_DATA20 | O   | LCD pixel data output bit 20                  |
|    |    |    |    | UART9_RXD  | I   | Data receiver input pin for UART 9            |
|    |    |    |    | PWM0       | O   | PWM 0 output pin                              |
|    |    |    |    | EBI_nCS4   | O   | External I/O chip select 4                    |
| 34 | -  | -  | -  | PD.11      | I/O | General purpose digital I/O pin Port D Pin 11 |
|    |    |    |    | LCD_DATA19 | O   | LCD pixel data output bit 19                  |
|    |    |    |    | UART9_TXD  | O   | Data transmitter output pin for UART9         |
|    |    |    |    | EBI_nCS3   | O   | External I/O chip select 3                    |
| 35 | -  | -  | -  | PD.10      | I/O | General purpose digital I/O pin Port D Pin 10 |

|    |    |    |    |            |     |   |
|----|----|----|----|------------|-----|---|
|    |    |    |    | LCD_DATA18 | O   | LCD pixel data output bit 18                  |
|    |    |    |    | EBI_nCS2   | O   | External I/O chip select 2                    |
| 36 | -  | -  | -  | PD.9       | I/O | General purpose digital I/O pin Port D Pin 9  |
|    |    |    |    | LCD_DATA17 | O   | LCD pixel data output bit 17                  |
|    |    |    |    | EBI_nCS1   | O   | External I/O chip select 1                    |
| 37 | -  | -  | -  | PD.8       | I/O | General purpose digital I/O pin Port D Pin 8  |
|    |    |    |    | LCD_DATA16 | O   | LCD pixel data output bit 16                  |
|    |    |    |    | EBI_nCS0   | O   | External I/O chip select 0                    |
| 38 | -  | 18 | 18 | PA.15      | I/O | General purpose digital I/O pin Port A Pin 15 |
|    |    |    |    | LCD_DATA15 | O   | LCD pixel data output bit 15                  |
|    |    |    |    | PWM3       | O   | PWM 3 output pin                              |
| 39 | -  | 19 | 19 | PA.14      | I/O | General purpose digital I/O pin Port A Pin 14 |
|    |    |    |    | LCD_DATA14 | O   | LCD pixel data output bit 14                  |
|    |    |    |    | PWM2       | O   | PWM 2 output pin                              |
| 40 | -  | 20 | 20 | PA.13      | I/O | General purpose digital I/O pin Port A Pin 13 |
|    |    |    |    | LCD_DATA13 | O   | LCD pixel data output bit 13                  |
|    |    |    |    | PWM1       | O   | PWM 1 output pin                              |
| 41 | -  | 21 | 21 | PA.12      | I/O | General purpose digital I/O pin Port A Pin 12 |
|    |    |    |    | LCD_DATA12 | O   | LCD pixel data output bit 12                  |
|    |    |    |    | PWM0       | O   | PWM 0 output pin                              |
| 42 | -  | 22 | 22 | PA.11      | I/O | General purpose digital I/O pin Port A Pin 11 |
|    |    |    |    | LCD_DATA11 | O   | LCD pixel data output bit 11                  |
| 43 | -  | 23 | 23 | PA.10      | I/O | General purpose digital I/O pin Port A Pin 10 |
|    |    |    |    | LCD_DATA10 | O   | LCD pixel data output bit 10                  |
| 44 | 20 | 24 | 24 | IO_VDD     | P   | I/O power pin (3.3V)                          |
| 45 | 21 | 25 | 25 | PA.9       | I/O | General purpose digital I/O pin Port A Pin 9  |
|    |    |    |    | LCD_DATA9  | O   | LCD pixel data output bit 9                   |
|    |    |    |    | PWRON_SET9 | IU  | Power On Setting bit 9                        |
| 46 | 22 | 26 | 26 | PA.8       | I/O | General purpose digital I/O pin Port A Pin 8  |
|    |    |    |    | LCD_DATA8  | O   | LCD pixel data output bit 8                   |
|    |    |    |    | PWRON_SET8 | IU  | Power On Setting bit 8                        |

|    |    |    |    |            |     |   |
|----|----|----|----|------------|-----|---|
| 47 | 23 | 27 | 27 | PA.7       | I/O | General purpose digital I/O pin Port A Pin 7    |
|    |    |    |    | LCD_DATA7  | O   | LCD pixel data output bit 7                     |
|    |    |    |    | PWRON_SET7 | IU  | Power On Setting bit 7                          |
| 48 | 24 | 28 | 28 | PA.6       | I/O | General purpose digital I/O pin Port A Pin 6    |
|    |    |    |    | LCD_DATA6  | O   | LCD pixel data output bit 6                     |
|    |    |    |    | PWRON_SET6 | IU  | Power On Setting bit 6                          |
| 49 | 25 | 29 | 29 | PA.5       | I/O | General purpose digital I/O pin Port A Pin 5    |
|    |    |    |    | LCD_DATA5  | O   | LCD pixel data output bit 5                     |
|    |    |    |    | PWRON_SET5 | IU  | Power On Setting bit 5                          |
| 50 | 26 | 30 | 30 | PA.4       | I/O | General purpose digital I/O pin Port A Pin 4    |
|    |    |    |    | LCD_DATA4  | O   | LCD pixel data output bit 4                     |
|    |    |    |    | PWRON_SET4 | IU  | Power On Setting bit 4                          |
| 51 | 27 | 31 | 31 | PA.3       | I/O | General purpose digital I/O pin Port A Pin 3    |
|    |    |    |    | LCD_DATA3  | O   | LCD pixel data output bit 3                     |
|    |    |    |    | PWRON_SET3 | IU  | Power On Setting bit 3                          |
| 52 | 28 | 32 | 32 | PA.2       | I/O | General purpose digital I/O pin Port A Pin 2    |
|    |    |    |    | LCD_DATA2  | O   | LCD pixel data output bit 2                     |
|    |    |    |    | PWRON_SET2 | IU  | Power On Setting bit 2                          |
| 53 | 29 | 33 | 33 | PA.1       | I/O | General purpose digital I/O pin Port A Pin 1    |
|    |    |    |    | LCD_DATA1  | O   | LCD pixel data output bit 1                     |
|    |    |    |    | PWRON_SET1 | IU  | Power On Setting bit 1                          |
| 54 | 30 | 34 | 34 | PA.0       | I/O | General purpose digital I/O pin Port A Pin 0    |
|    |    |    |    | LCD_DATA0  | O   | LCD pixel data output bit 0                     |
|    |    |    |    | PWRON_SET0 | IU  | Power On Setting bit 0                          |
| 55 | -  | -  | -  | ADC0       | A   | ADC input channel 0 or VBAT detection           |
| 56 | 31 | 35 | -  | ADC6       | A   | ADC input channel 6 or Touch XM                 |
| 57 | 32 | 36 | -  | ADC4       | A   | ADC input channel 4 or Touch YM                 |
| 58 | 33 | 37 | -  | AVSS       | AP  | Ground pin for analog circuit                   |
| 59 | 34 | 38 | -  | AVDD       | AP  | Power supply for internal analog circuit (3.3V) |
| 60 | 35 | 39 | -  | ADC7       | A   | ADC input channel 7 or Touch XP                 |
| 61 | 36 | 40 | -  | ADC5       | A   | ADC input channel 5 or Touch YP                 |

|    |      |    |    |             |     |   |
|----|------|----|----|-------------|-----|---|
| 62 | -    | -  | -  | ADC1        | A   | ADC input channel 1   |
| 63 | -    | -  | -  | ADC3        | A   | ADC input channel 3 or Touch VSENSE   |
| 64 | -    | -  | -  | ADC2        | A   | ADC input channel 2   |
| 65 | 37   | 41 | -  | VREF        | A   | ADC external reference voltage input<br>Note. VREF can be NC or tied a 1uF cap to AVSS if don't need to use it.   |
| 66 | 38 * | 42 | 35 | RTC_VDD     | P   | RTC power input (3V)  |
| 67 | -    | 43 | 36 | SYS_PWREN   | O   | RTC wake-up output pin for external DC/DC enable pin control<br>Note. please refers development board schematic for system design. It can be NC if don't need to use. |
| 68 | -    | 44 | 37 | SYS_nWAKEUP | IU  | RTC wake-up interrupt input with internal pull-high<br>Note. please refers development board schematic for system design. It can be NC if don't need to use.          |
| 69 | -    | 45 | 38 | X32_IN      | A   | External 32.768kHz crystal input  |
| 70 | -    | 46 | 39 | X32_OUT     | A   | External 32.768kHz crystal output   |
| 71 | -    | -  | -  | PH.4        | I/O | General purpose digital I/O pin Port H Pin 4  |
|    |      |    |    | UART1_TXD   | O   | Data transmitter output pin for UART1   |
|    |      |    |    | RTC_TICK    | O   | RTC tick output   |
|    |      |    |    | EBI_ADDR0   | O   | External I/O address bus bit 0  |
|    |      |    |    | INT4        | I   | External interrupt 4 input pin<br>Note. support deep standby mode wakeup  |
| 72 | -    | -  | -  | PH.5        | I/O | General purpose digital I/O pin Port H Pin 5  |
|    |      |    |    | UART1_RXD   | I   | Data receiver input pin for UART1   |
|    |      |    |    | EBI_ADDR1   | O   | External I/O address bus bit 1  |
|    |      |    |    | INT5        | I   | External interrupt 5 input pin<br>Note. support deep standby mode wakeup  |
| 73 | -    | -  | -  | PH.6        | I/O | General purpose digital I/O pin Port H Pin 6  |
|    |      |    |    | SD1_CMD     | O   | SD/SDIO #1 command/ response  |
|    |      |    |    | UART1_RTS   | O   | Request to send output pin for UART 1   |
|    |      |    |    | EBI_ADDR2   | O   | External I/O address bus bit 2  |
|    |      |    |    | INT6        | I   | External interrupt 6 input pin<br>Note. support deep standby mode wakeup  |
| 74 | -    | -  | 40 | PH.7        | I/O | General purpose digital I/O pin Port H Pin 7  |
|    |      |    |    | SD1_CLK     | O   | SD/SDIO #1 clock  |
|    |      |    |    | UART1_CTS   | I   | Clear to send input pin for UART 1  |
|    |      |    |    | EBI_ADDR3   | O   | External I/O address bus bit 3  |
|    |      |    |    | INT7        | I   | External interrupt 7 input pin<br>Note. support deep standby mode wakeup  |
| 75 | -    | -  | -  | PH.8        | I/O | General purpose digital I/O pin Port H Pin 8  |
|    |      |    |    | SD1_DAT0    | I/O | SD/SDIO #1 data line bit 0  |

|    |    |    |    |           |     |   |
|----|----|----|----|-----------|-----|---|
|    |    |    |    | UART4_TXD | O   | Data transmitter output pin for UART 4        |
|    |    |    |    | EBI_ADDR4 | O   | External I/O address bus bit 4                |
| 76 | -  | -  | -  | PH.9      | I/O | General purpose digital I/O pin Port H Pin 9  |
|    |    |    |    | SD1_DAT1  | I/O | SD/SDIO #1 data line bit 1                    |
|    |    |    |    | UART4_RXD | I   | Data receiver input pin for UART 4            |
|    |    |    |    | EBI_ADDR5 | O   | External I/O address bus bit 5                |
| 77 | -  | -  | -  | PH.10     | I/O | General purpose digital I/O pin Port H Pin 10 |
|    |    |    |    | SD1_DAT2  | I/O | SD/SDIO #1 data line bit 2                    |
|    |    |    |    | UART4_RTS | O   | Request to send output pin for UART 4         |
|    |    |    |    | EBI_ADDR6 | O   | External I/O address bus bit 6                |
| 78 | -  | -  | -  | PH.11     | I/O | General purpose digital I/O pin Port H Pin 11 |
|    |    |    |    | SD1_DAT3  | I/O | SD/SDIO #1 data line bit 3                    |
|    |    |    |    | UART4_CTS | I   | Clear to send input pin for UART 4            |
|    |    |    |    | EBI_ADDR7 | O   | External I/O address bus bit 7                |
| 79 | 39 | -  | -  | PH.12     | I/O | General purpose digital I/O pin Port H Pin 12 |
|    |    |    |    | SD1_nCD   | I   | SD/SDIO #1 card detect                        |
|    |    |    |    | UART8_TXD | O   | Data transmitter output pin for UART 8        |
|    |    |    |    | SPI0_SS1  | O   | SPI 0 chip select 1 pin                       |
|    |    |    |    | EBI_ADDR8 | O   | External I/O address bus bit 8                |
| 80 | -  | -  | -  | IO_VDD    | P   | I/O power pin (3.3V)                          |
| 81 | -  | -  | -  | VSS       | P   | Ground pin                                    |
| 82 | 40 | 47 | 41 | CORE_VDD  | P   | Internal core power pin (1.2V)                |
| 83 | 41 | -  | -  | PH.13     | I/O | General purpose digital I/O pin Port H Pin 13 |
|    |    |    |    | SD1_nPWR  | O   | SD/SDIO #1 power enable                       |
|    |    |    |    | UART8_RXD | I   | Data receiver input pin for UART 8            |
|    |    |    |    | SPI1_SS1  | O   | SPI 1 chip select 1 pin                       |
|    |    |    |    | EBI_ADDR9 | O   | External I/O address bus bit 9                |
| 84 | -  | -  | -  | PH.14     | I/O | General purpose digital I/O pin Port H Pin 14 |
|    |    |    |    | UART8_RTS | O   | Request to send output pin for UART8          |
|    |    |    |    | CAN1_RXD  | I   | CAN bus receiver 1 input                      |
|    |    |    |    | EBI_nBE0  | O   | External I/O low byte enable                  |

|    |    |    |    |            |     |  |
|----|----|----|----|------------|-----|--|
| 85 | -  | -  | -  | PH.15      | I/O | General purpose digital I/O pin Port H Pin 15                            |
|    |    |    |    | UART8_CTS  | I   | Clear to send input pin for UART 8                                       |
|    |    |    |    | CAN1_TXD   | O   | CAN bus transmitter 1 output   |
|    |    |    |    | EBI_nBE1   | O   | External I/O high byte enable  |
| 86 | -  | -  | -  | PI.0       | I/O | General purpose digital I/O pin Port I Pin 0                             |
|    |    |    |    | EBI_DATA0  | I/O | External I/O data bus bit 0  |
| 87 | 42 | -  | 42 | PI.1       | I/O | General purpose digital I/O pin Port I Pin 1                             |
|    |    |    |    | NAND_nCS0  | O   | NAND flash chip select 0   |
|    |    |    |    | UART7_TXD  | O   | Data transmitter output pin for UART 7                                   |
|    |    |    |    | EBI_DATA1  | I/O | External I/O data bus bit 1  |
|    |    |    |    | INT6       | I   | External interrupt 6 input pin<br>Note. support deep standby mode wakeup |
| 88 | 43 | -  | 43 | PI.2       | I/O | General purpose digital I/O pin Port I Pin 2                             |
|    |    |    |    | NAND_nWP   | O   | NAND flash write protection  |
|    |    |    |    | UART7_RXD  | I   | Data receiver input pin for UART 7                                       |
|    |    |    |    | EBI_DATA2  | I/O | External I/O data bus bit 2  |
|    |    |    |    | INT7       | I   | External interrupt 7 input pin<br>Note. support deep standby mode wakeup |
| 89 | 44 | 48 | 44 | PI.3       | I/O | General purpose digital I/O pin Port I Pin 3                             |
|    |    |    |    | VCAP_CLKO  | O   | Sensor interface system clock potput                                     |
|    |    |    |    | NAND_ALE   | O   | NAND flash address latch enable  |
|    |    |    |    | I2C1_SCL   | O   | I <sup>2</sup> C 1 clock pin   |
|    |    |    |    | EBI_DATA3  | I/O | External I/O data bus bit 3  |
|    |    |    |    | CAN0_RXD   | I   | CAN bus receiver 0 input   |
|    |    |    |    | RTC_TICK   | O   | RTC tick output  |
| 90 | 45 | 49 | 45 | PI.4       | I/O | General purpose digital I/O pin Port I Pin 4                             |
|    |    |    |    | VCAP_PCLK  | I   | Sensor interface pixel clock   |
|    |    |    |    | NAND_CLE   | O   | NAND flash command latch enable  |
|    |    |    |    | I2C1_SDA   | I/O | I <sup>2</sup> C 1 data input/output pin                                 |
|    |    |    |    | EBI_DATA4  | I/O | External I/O data bus bit 4  |
|    |    |    |    | CAN0_TX    | O   | CAN bus transmitter0 output  |
| 91 | 46 | 50 | 46 | PI.5       | I/O | General purpose digital I/O pin Port I Pin 5                             |
|    |    |    |    | VCAP_HSYNC | I   | Sensor interface HSYNC   |

|    |    |    |    |                         |            |  |
|----|----|----|----|-------------------------|------------|--|
|    |    |    |    | NAND_nWE                | O          | NAND flash write enable                                |
|    |    |    |    | eMMC_CMD                | I/O        | eMMC command/Response                                  |
|    |    |    |    | EBI_DATA5               | I/O        | External I/O data bus bit 5                            |
|    |    |    |    | SD1_CMD                 | O          | SD/SDIO #1 command/response                            |
|    |    |    |    | UART1_TXD               | O          | Data transmitter output pin for UART 1                 |
|    |    |    |    | SPI1_SS0                | O          | SPI 1 chip select 0 pin                                |
| 92 | 47 | 51 | 47 | PI.6                    | I/O        | General purpose digital I/O pin Port I Pin 6           |
|    |    |    |    | VCAP_VSYNC              | I          | Sensor interface VSYNC                                 |
|    |    |    |    | NAND_nRE                | O          | NAND flash read enable                                 |
|    |    |    |    | eMMC_CLK                | O          | eMMC clock output                                      |
|    |    |    |    | SC1_RST                 | O          | SmartCard 1 reset pin                                  |
|    |    |    |    | EBI_DATA6               | I/O        | External I/O data bus bit 6                            |
|    |    |    |    | SD1_CLK                 | O          | SD/SDIO #1 clock                                       |
|    |    |    |    | UART1_RXD               | I          | Data receiver input pin for UART 1                     |
|    |    |    |    | SPI1_CLK                | O          | SPI 1 serial clock pin                                 |
| 93 | 48 | 52 | 48 | PI.7                    | I/O        | General purpose digital I/O pin Port I Pin 7           |
|    |    |    |    | VCAP_FIELD              | I          | Sensor interface even/odd field indicator              |
|    |    |    |    | NAND_RDY0               | I          | NAND flash ready/busy channel 0                        |
|    |    |    |    | eMMC_DATA3              | I/O        | eMMC data line bit 3                                   |
|    |    |    |    | SC1_CLK                 | O          | SmartCard 1 clock pin                                  |
|    |    |    |    | EBI_DATA7               | I/O        | External I/O data bus bit 7                            |
|    |    |    |    | SD1_DAT0                | I/O        | SD/SDIO #1 data line bit 0                             |
|    |    |    |    | UART1_RTS               | O          | Request to send output pin for UART 1                  |
|    |    |    |    | SPI1_DO<br>(SPI1_DATA0) | I<br>(I/O) | SPI 1 Data out pin<br>(SPI 1 data 0 in dual/quad mode) |
| 94 | 49 | 53 | 49 | PI.8                    | I/O        | General purpose digital I/O pin Port I Pin 8           |
|    |    |    |    | VCAP_DATA0              | I          | Sensor interface data bus bit 0                        |
|    |    |    |    | NAND_DATA0              | I/O        | NAND flash data bus bit 0                              |
|    |    |    |    | eMMC_DATA0              | I/O        | eMMC data line bit 0                                   |
|    |    |    |    | SC1_DAT                 | I/O        | SmartCard 1 data pin                                   |
|    |    |    |    | EBI_DATA8               | I/O        | External I/O data bus bit 8                            |
|    |    |    |    | SD1_DAT1                | I/O        | SD/SDIO #1 data line bit 1                             |

|    |    |    |    |                         |            |  |
|----|----|----|----|-------------------------|------------|--|
|    |    |    |    | UART1_CTS               | I          | Clear to send input pin for UART1                        |
|    |    |    |    | SPI1_DI<br>(SPI1_DATA1) | I<br>(I/O) | SPI 1 Data input pin<br>(SPI 1 data 1 in dual/quad mode) |
| 95 | 50 | 54 | 50 | PI.9                    | I/O        | General purpose digital I/O pin Port I Pin 9             |
|    |    |    |    | VCAP_DATA1              | I          | Sensor interface data bus bit 1                          |
|    |    |    |    | NAND_DATA1              | I/O        | NAND flash data bus bit 1                                |
|    |    |    |    | eMMC_DATA1              | I/O        | eMMC data line bit 1                                     |
|    |    |    |    | SC1_PWR                 | O          | SmartCard 1 power pin                                    |
|    |    |    |    | EBI_DATA9               | I/O        | External I/O data bus bit 9                              |
|    |    |    |    | SD1_DAT2                | I/O        | SD/SDIO #1 data line bit 2                               |
|    |    |    |    | UART4_TXD               | O          | Data transmitter output pin for UART 4                   |
| 96 | 51 | 55 | 51 | PI.10                   | I/O        | General purpose digital I/O pin Port I Pin 10            |
|    |    |    |    | VCAP_DATA2              | I          | Sensor interface data bus bit 2                          |
|    |    |    |    | NAND_DATA2              | I/O        | NAND flash data bus bit 2                                |
|    |    |    |    | eMMC_DATA2              | I/O        | eMMC data line bit 2                                     |
|    |    |    |    | SC1_CD                  | I          | SmartCard 1 card detect pin                              |
|    |    |    |    | EBI_DATA10              | I/O        | External I/O data bus bit 10                             |
|    |    |    |    | SD1_DAT3                | I/O        | SD/SDIO #1 data line bit 3                               |
|    |    |    |    | UART4_RXD               | I          | Data receiver input pin for UART 4                       |
| 97 | 52 | 56 | 52 | PI.11                   | I/O        | General purpose digital I/O pin Port I Pin 11            |
|    |    |    |    | VCAP_DATA3              | I          | Sensor interface data bus bit 3                          |
|    |    |    |    | NAND_DATA3              | I/O        | NAND flash data bus bit 3                                |
|    |    |    |    | SC0_RST                 | O          | SmartCard 0 reset pin                                    |
|    |    |    |    | EBI_DATA11              | I/O        | External I/O data bus bit 11                             |
| 98 | 53 | 57 | 53 | PI.12                   | I/O        | General purpose digital I/O pin Port I Pin 12            |
|    |    |    |    | VCAP_DATA4              | I          | Sensor interface data bus bit 4                          |
|    |    |    |    | NAND_DATA4              | I/O        | NAND flash data bus bit 4                                |
|    |    |    |    | UART8_TXD               | O          | Data transmitter output pin for UART 8                   |
|    |    |    |    | SC0_CLK                 | O          | SmartCard 0 clock pin                                    |
|    |    |    |    | EBI_DATA12              | I/O        | External I/O data bus bit 12                             |
|    |    |    |    | SD1_nCD                 | I          | SD/SDIO #1 card detect                                   |



|     |    |    |    |            |     |  |
|-----|----|----|----|------------|-----|--|
| 99  | 54 | 58 | 54 | PI.13      | I/O | General purpose digital I/O pin Port I Pin 13  |
|     |    |    |    | VCAP_DATA5 | I   | Sensor interface data bus bit 5  |
|     |    |    |    | NAND_DATA5 | I/O | NAND flash data bus bit 5  |
|     |    |    |    | UART8_RXD  | I   | Data receiver input pin for UART 8   |
|     |    |    |    | SC0_DAT    | I/O | SmartCard 0 data pin   |
|     |    |    |    | EBI_DATA13 | I/O | External I/O data bus bit 13   |
|     |    |    |    | SD1_nPWR   | O   | SD/SDIO #1 power enable  |
| 100 | 55 | 59 | 55 | PI.14      | I/O | General purpose digital I/O pin Port I Pin 14  |
|     |    |    |    | VCAP_DATA6 | I   | Sensor interface data bus bit 6  |
|     |    |    |    | NAND_DATA6 | I/O | NAND flash data bus bit 6  |
|     |    |    |    | UART8_RTS  | O   | Request to send output pin for UART 8  |
|     |    |    |    | SC0_PWR    | O   | SmartCard 0 power pin  |
|     |    |    |    | EBI_DATA14 | I/O | External I/O data bus bit 14   |
| 101 | 56 | 60 | 56 | PI.15      | I/O | General purpose digital I/O pin Port I Pin 15  |
|     |    |    |    | VCAP_DATA7 | I   | Sensor interface data bus bit 7  |
|     |    |    |    | NAND_DATA7 | I/O | NAND flash data bus bit 7  |
|     |    |    |    | UART8_CTS  | I   | Clear to send input pin for UART 8   |
|     |    |    |    | SC0_CD     | I   | SmartCard0 card detect pin   |
|     |    |    |    | EBI_DATA15 | I/O | External I/O data bus bit 15   |
|     |    |    |    | CLK_OUT    | O   | Clock output pin<br>Note. about CLK output programming please refer CLK_DIVCTL9 of TRM |
| 102 | -  | -  | -  | CORE_VDD   | P   | Internal core power pin (1.2V)   |
| 103 | -  | -  | -  | VSS        | P   | Ground pin   |
| 104 | 57 | 61 | 57 | IO_VDD     | P   | I/O power pin (3.3V)   |
| -   | -  | -  | -  | PG.15      | I/O | General purpose digital I/O pin Port G Pin 15.   |
|     |    |    |    | INT5       | I   | External interrupt 5 input pin<br>Note. support deep standby mode wakeup               |
| 105 | 58 | -  | 58 | PB.0       | I/O | General purpose digital I/O pin Port B Pin 0   |
|     |    |    |    | NAND_nCS1  | O   | NAND flash chip select 1   |
|     |    |    |    | UART5_TXD  | O   | Data transmitter output pin for UART 5   |
|     |    |    |    | SPI0_SS1   | O   | SPI 0 chip select 1 pin  |
|     |    |    |    | TM1_TGL    | O   | Enhanced TIMER 1 toggle output pin   |
| 106 | 59 | -  | 59 | PB.1       | I/O | General purpose digital I/O pin Port B Pin 1   |

|     |    |    |    |                         |            |  |
|-----|----|----|----|-------------------------|------------|--|
|     |    |    |    | NAND_RDY1               | I          | NAND flash ready/busy channel 1 pin                      |
|     |    |    |    | UART5_RXD               | I          | Data receiver input pin for UART 5                       |
|     |    |    |    | SPI1_SS1                | O          | SPI 1 chip select 1 pin                                  |
|     |    |    |    | TM1_CAP                 | I          | Enhanced TIMER 1 capture input pin                       |
| 107 | -  | 62 | 60 | PB.2                    | I/O        | General purpose digital I/O pin Port B Pin 2             |
|     |    |    |    | UART6_TXD               | O          | Data transmitter output pin for UART 6                   |
|     |    |    |    | PWM0                    | O          | PWM 0 output pin   |
|     |    |    |    | TM0_TGL                 | O          | Enhanced TIMER 0 toggle output pin                       |
| 108 | -  | 63 | 61 | PB.3                    | I/O        | General purpose digital I/O pin Port B Pin 3             |
|     |    |    |    | UART6_RXD               | I          | Data receiver input pin for UART 6                       |
|     |    |    |    | PWM1                    | O          | PWM 1 output pin   |
|     |    |    |    | TM0_CAP                 | I          | Enhanced TIMER 0 capture input pin                       |
| 109 | -  | -  | 62 | PB.4                    | I/O        | General purpose digital I/O pin Port B Pin 4             |
|     |    |    |    | UART6_RTS               | O          | Request to send output pin for UART 6                    |
| 110 | -  | -  | 63 | PB.5                    | I/O        | General purpose digital I/O pin Port B Pin 5             |
|     |    |    |    | UART6_CTS               | I          | Clear to send input pin for UART 6                       |
| -   | -  | 64 | 64 | VSS                     | P          | Ground pin   |
| 111 | 60 | 65 | 65 | PB.6                    | I/O        | General purpose digital I/O pin Port B Pin 6             |
|     |    |    |    | SPI0_SS0                | O          | SPI 0 chip select 0 pin                                  |
| 112 | 61 | 66 | 66 | PB.7                    | I/O        | General purpose digital I/O pin Port B Pin 7             |
|     |    |    |    | SPI0_CLK                | O          | SPI 0 serial clock pin                                   |
| 113 | 62 | 67 | 67 | PB.8                    | I/O        | General purpose digital I/O pin Port B Pin 8             |
|     |    |    |    | SPI0_DO<br>(SPI0_DATA0) | O<br>(I/O) | SPI 0 Data out pin<br>(SPI0 data 0 in dual/quad mode)    |
| 114 | 63 | 68 | 68 | PB.9                    | I/O        | General purpose digital I/O pin Port B Pin 9             |
|     |    |    |    | SPI0_DI<br>(SPI0_DATA1) | I<br>(I/O) | SPI 0 Data input pin<br>(SPI 0 data 1 in dual/quad mode) |
| -   | 64 | -  | -  | VSS                     | P          | Ground pin   |
| 115 | 65 | 69 | 69 | PB.10                   | I/O        | General purpose digital I/O pin Port B Pin 10            |
|     |    |    |    | UART10_TXD              | O          | Data transmitter output pin for UART 10                  |
|     |    |    |    | SPI0_DATA2              | I/O        | SPI 0 data 2 in dual/quad mode                           |
|     |    |    |    | CAN0_RXD                | I          | CAN bus receiver 0 input                                 |

|     |    |    |    |                         |            |  |
|-----|----|----|----|-------------------------|------------|--|
| 116 | 66 | 70 | 70 | PB.11                   | I/O        | General purpose digital I/O pin Port B Pin 11            |
|     |    |    |    | UART10_RXD              | I          | Data receiver input pin for UART 10                      |
|     |    |    |    | SPI0_DATA3              | I/O        | SPI 0 data 3 in dual/quad mode                           |
|     |    |    |    | CAN0_TXD                | O          | CAN bus transmitter 0 output                             |
| 117 | 67 | 71 | 71 | PB.12                   | I/O        | General purpose digital I/O pin Port B Pin 12            |
|     |    |    |    | UART10_TXD              | O          | Data transmitter output pin for UART10                   |
|     |    |    |    | SPI1_SS0                | O          | SPI 1 chip select 0 pin                                  |
| 118 | 68 | 72 | 72 | PB.13                   | I/O        | General purpose digital I/O pin Port B Pin 13            |
|     |    |    |    | UART10_RXD              | I          | Data receiver input pin for UART 10                      |
|     |    |    |    | SPI1_CLK                | O          | SPI 1 serial clock pin                                   |
| 119 | -  | 73 | 73 | PB.14                   | I/O        | General purpose digital I/O pin Port B Pin 14            |
|     |    |    |    | UART10_RTS              | O          | Request to send output pin for UART 10                   |
|     |    |    |    | SPI1_DO<br>(SPI1_DATA0) | O<br>(I/O) | SPI 1 Data out pin<br>(SPI 1 data 0 in dual/quad mode)   |
| 120 | -  | 74 | 74 | PB.15                   | I/O        | General purpose digital I/O pin Port B Pin 15            |
|     |    |    |    | UART10_CTS              | I          | Clear to send input pin for UART 10                      |
|     |    |    |    | SPI1_DI<br>(SPI1_DATA1) | I<br>(I/O) | SPI 1 Data input pin<br>(SPI 1 data 1 in dual/quad mode) |
| 121 | 69 | -  | -  | PG.4                    | I/O        | General purpose digital I/O pin Port G Pin 4             |
|     |    |    |    | NAND_nCS1               | O          | NAND flash chip select 1 pin                             |
|     |    |    |    | UART7_TXD               | O          | Data transmitter output pin for UART 7                   |
|     |    |    |    | SPI1_DATA2              | I/O        | SPI 1 data 2 in dual/quad mode                           |
| 122 | 70 | -  | -  | PG.5                    | I/O        | General purpose digital I/O pin Port G Pin 5             |
|     |    |    |    | NAND_RDY1               | I          | NAND flash ready/busy channel 1                          |
|     |    |    |    | UART7_RXD               | I          | Data receiver input pin for UART7                        |
|     |    |    |    | SPI1_DATA3              | I/O        | SPI 1 data 3 in dual/quad mode                           |
| 123 | -  | -  | -  | PC.0                    | I/O        | General purpose digital I/O pin Port C Pin 0             |
|     |    |    |    | NAND_DATA0              | I/O        | NAND flash data bus bit 0                                |
|     |    |    |    | eMMC_DATA0              | I/O        | eMMC data line bit 0                                     |
| 124 | -  | -  | -  | PC.1                    | I/O        | General purpose digital I/O pin Port C Pin 1             |
|     |    |    |    | NAND_DATA1              | I/O        | NAND flash data bus bit 1                                |
|     |    |    |    | eMMC_DATA1              | I/O        | eMMC data line bit 1                                     |

|     |    |   |   |            |     |   |
|-----|----|---|---|------------|-----|---|
| 125 | -  | - | - | PC.2       | I/O | General purpose digital I/O pin Port C Pin 2  |
|     |    |   |   | NAND_DATA2 | I/O | NAND flash data bus bit 2                     |
|     |    |   |   | eMMC_DATA2 | I/O | eMMC data line bit 2                          |
| 126 | -  | - | - | PC.3       | I/O | General purpose digital I/O pin Port C Pin 3  |
|     |    |   |   | NAND_DATA3 | I/O | NAND flash data bus bit 3                     |
|     |    |   |   | eMMC_DATA3 | I/O | eMMC data line bit 3                          |
| 127 | -  | - | - | PC.4       | I/O | General purpose digital I/O pin Port C Pin 4  |
|     |    |   |   | NAND_DATA4 | I/O | NAND flash data bus bit 4                     |
|     |    |   |   | eMMC_CMD   | I/O | eMMC command/ Response                        |
| 128 | -  | - | - | PC.5       | I/O | General purpose digital I/O pin Port C Pin 5  |
|     |    |   |   | NAND_DATA5 | I/O | NAND flash data bus bit 5                     |
|     |    |   |   | eMMC_CLK   | O   | eMMC clock output                             |
| 129 | -  | - | - | PC.6       | I/O | General purpose digital I/O pin Port C Pin 6  |
|     |    |   |   | NAND_DATA6 | I/O | NAND flash data bus bit 6                     |
|     |    |   |   | UART10_TXD | O   | Data transmitter output pin for UART 10       |
|     |    |   |   | TM0_TGL    | O   | Enhanced TIMER 0 toggle output pin            |
| 130 | -  | - | - | PC.7       | I/O | General purpose digital I/O pin Port C Pin 7  |
|     |    |   |   | NAND_DATA7 | I/O | NAND flash data bus bit 7                     |
|     |    |   |   | UART10_RXD | I   | Data receiver input pin for UART 10           |
|     |    |   |   | TM0_CAP    | I   | Enhanced TIMER 0 capture input pin            |
| 131 | -  | - | - | PC.8       | I/O | General purpose digital I/O pin Port C Pin 8  |
|     |    |   |   | NAND_nCS0  | O   | NAND flash chip select 0 pin                  |
|     |    |   |   | UART10_RTS | O   | Request to send output pin for UART 10        |
|     |    |   |   | TM1_TGL    | O   | Enhanced TIMER 1 toggle output pin            |
| 132 | -  | - | - | PC.9       | I/O | General purpose digital I/O pin Port C Pin 9  |
|     |    |   |   | NAND_ALE   | O   | NAND flash address latch enable               |
|     |    |   |   | UART10_CTS | I   | Clear to send input pin for UART 10           |
|     |    |   |   | TM1_CAP    | I   | Enhanced TIMER 1 capture input pin            |
| 133 | 71 | - | - | PC.10      | I/O | General purpose digital I/O pin Port C Pin 10 |
|     |    |   |   | NAND_CLE   | O   | NAND flash command latch enable               |
|     |    |   |   | UART4_TXD  | O   | Data transmitter output pin for UART 4        |

|     |    |    |    |            |     |   |
|-----|----|----|----|------------|-----|---|
|     |    |    |    | TM2_TGL    | O   | Enhanced TIMER 2 toggle output pin  |
| 134 | 72 | -  | -  | PC.11      | I/O | General purpose digital I/O pin Port C Pin 11   |
|     |    |    |    | NAND_nWE   | O   | NAND flash write enable   |
|     |    |    |    | UART4_RXD  | I   | Data receiver input pin for UART 4  |
|     |    |    |    | TM2_CAP    | I   | Enhanced TIMER 2 capture input pin  |
| 135 | 73 | -  | -  | PC.12      | I/O | General purpose digital I/O pin Port C Pin 12   |
|     |    |    |    | NAND_nRE   | O   | NAND flash read enable  |
|     |    |    |    | UART4_RTS  | O   | Request to send output pin for UART 4   |
|     |    |    |    | TM3_TGL    | O   | Enhanced TIMER 3 toggle output pin  |
| 136 | 74 | -  | -  | PC.13      | I/O | General purpose digital I/O pin Port C Pin 13   |
|     |    |    |    | NAND_RDY0  | I   | NAND flash ready/busy channel 0 pin   |
|     |    |    |    | UART4_CTS  | I   | Clear to send input pin for UART 4  |
|     |    |    |    | TM3_CAP    | I   | Enhanced TIMER 3 capture input pin  |
| 137 | -  | -  | -  | PC.14      | I/O | General purpose digital I/O pin Port C Pin 14   |
|     |    |    |    | NAND_nWP   | O   | NAND flash write protect  |
|     |    |    |    | PWM0       | O   | PWM 0 output pin  |
| 138 | 75 | 75 | 75 | PJ.3       | I/O | General purpose digital I/O pin Port J Pin 3  |
|     |    |    |    | JTAG_TDO   | O   | JTAG test data out  |
| 139 | 76 | 76 | 76 | PJ.0       | I/O | General purpose digital I/O pin Port J Pin 0  |
|     |    |    |    | JTAG_TCK   | O   | JTAG test clock   |
| 140 | 77 | 77 | 77 | PJ.1       | I/O | General purpose digital I/O pin Port J Pin 1  |
|     |    |    |    | JTAG_TMS   | O   | JTAG test mode select   |
| 141 | 78 | 78 | 78 | PJ.2       | I/O | General purpose digital I/O pin Port J Pin 2  |
|     |    |    |    | JTAG_TDI   | I   | JTAG test data in   |
| 142 | 79 | 79 | 79 | PJ.4       | I/O | General purpose digital I/O pin Port J Pin 4  |
|     |    |    |    | JTAG_nTRST | O   | JTAG Reset  |
| 143 | 80 | 80 | 80 | nRESET     | IU  | External reset input: active LOW, with an internal pull-up. Set this pin low reset to initial state |
|     |    |    |    | WDT_nRST   | O   | Watch dog timer external reset output pin. Open-drain   |
| 144 | 81 | 81 | 81 | IO_VDD     | P   | I/O power pin (3.3V)  |
| 145 | -  | -  | -  | VSS        | P   | Ground pin.   |
| 146 | 82 | 82 | 82 | CORE_VDD   | P   | Internal core power pin (1.2V)  |

|     |    |    |    |           |     |  |
|-----|----|----|----|-----------|-----|--|
| 147 | -  | -  | -  | VSS       | P   | Ground pin                                   |
| 148 | 83 | 83 | 83 | DDR_VDD   | P   | DDR power pin (1.8V)                         |
| 149 | -  | -  | -  | VSS       | P   | Ground pin                                   |
| 150 | 83 | 83 | 83 | DDR_VDD   | P   | DDR power pin (1.8V)                         |
| 151 | -  | -  | -  | VSS       | P   | Ground pin                                   |
| 152 | 84 | 84 | 84 | DDR_VDD   | P   | DDR power pin (1.8V)                         |
| -   | -  | -  | -  | VSS       | P   | Ground pin                                   |
| 153 | -  | -  | -  | VSS       | P   | Ground pin                                   |
| 154 | 85 | 85 | 85 | IO_VDD    | P   | I/O power pin (3.3V)                         |
| 155 | 86 | 86 | 86 | PD.0      | I/O | General purpose digital I/O pin Port D Pin 0 |
|     |    |    |    | SD0_CMD   | O   | SD/SDIO #0 command/response                  |
| 156 | 87 | 87 | 87 | PD.1      | I/O | General purpose digital I/O pin Port D Pin 1 |
|     |    |    |    | SD0_CLK   | O   | SD/SDIO #0 clock                             |
| 157 | 88 | 88 | 88 | PD.2      | I/O | General purpose digital I/O pin Port D Pin 2 |
|     |    |    |    | SD0_DAT0  | I/O | SD/SDIO #0 data line bit 0                   |
| 158 | 89 | 89 | 89 | PD.3      | I/O | General purpose digital I/O pin Port D Pin 3 |
|     |    |    |    | SD0_DAT1  | I/O | SD/SDIO #0 data line bit 1                   |
| 159 | 90 | 90 | 90 | PD.4      | I/O | General purpose digital I/O pin Port D Pin 4 |
|     |    |    |    | SD0_DAT2  | I/O | SD/SDIO #0 data line bit 2                   |
| 160 | 91 | 91 | 91 | PD.5      | I/O | General purpose digital I/O pin Port D Pin 5 |
|     |    |    |    | SD0_DAT3  | I/O | SD/SDIO #0 data line bit 3                   |
| 161 | 92 | 92 | 92 | PD.6      | I/O | General purpose digital I/O pin Port D Pin 6 |
|     |    |    |    | SD0_nCD   | I   | SD/SDIO #0 card detect                       |
| 162 | -  | 93 | 93 | PD.7      | I/O | General purpose digital I/O pin Port D Pin 7 |
| 163 | 93 | 94 | 94 | CORE_VDD  | P   | Internal core power pin (1.2V)               |
| 164 | -  | -  | -  | PLL_VDD   | P   | PLL power input pin (1.2V)                   |
| 165 | 94 | 95 | 95 | PLL_VSS   | P   | PLL ground                                   |
| 166 | -  | -  | -  | CORE_VDD  | P   | Internal core power pin (1.2V)               |
| 167 | -  | -  | -  | PH.3      | I/O | General purpose digital I/O pin Port H Pin 3 |
|     |    |    |    | I2C1_SDA  | I/O | I <sup>2</sup> C 1 data input/output pin     |
|     |    |    |    | UART9_RXD | I   | Data receiver input pin for UART 9           |

|     |   |   |   |               |     |  |
|-----|---|---|---|---------------|-----|--|
|     |   |   |   | CAN0_TXD      | O   | CAN bus transmitter 0 output   |
|     |   |   |   | PWM3          | O   | PWM 3 output pin   |
|     |   |   |   | INT3          | I   | External interrupt 3 input pin<br>Note. support deep standby mode wakeup                     |
| 168 | - | - | - | PH.2          | I/O | General purpose digital I/O pin Port H Pin 2   |
|     |   |   |   | I2C1_SCL      | O   | I <sup>2</sup> C 1 clock pin   |
|     |   |   |   | UART9_TXD     | O   | Data transmitter output pin for UART9  |
|     |   |   |   | CAN0_RXD      | I   | CAN bus receiver 0 input   |
|     |   |   |   | PWM2          | O   | PWM 2 output pin   |
|     |   |   |   | INT2          | I   | External interrupt 2 input pin<br>Note. support deep standby mode wakeup                     |
| 169 | - | - | - | PE.13         | I/O | General purpose digital I/O pin Port E Pin 13  |
|     |   |   |   | UART8_CTS     | I   | Clear to send input pin for UART 8   |
|     |   |   |   | UART3_RXD     | I   | Data receiver input pin for UART 3   |
|     |   |   |   | CLK_OUT       | O   | Reference Clock Output<br>Note. about CLK output programming please refer CLK_DIVCTL9 of TRM |
| 170 | - | - | - | PE.12         | I/O | General purpose digital I/O pin Port E Pin 12  |
|     |   |   |   | UART8_RTS     | O   | Request to send output pin for UART 8  |
|     |   |   |   | UART3_TXD     | O   | Data transmitter output pin for UART 3   |
| 171 | - | - | - | PE.11         | I/O | General purpose digital I/O pin Port E Pin 11  |
|     |   |   |   | RMII1_RXERR   | I   | RMII 1 receive data error  |
|     |   |   |   | UART8_RXD     | I   | Data receiver input pin for UART 8   |
| 172 | - | - | - | PE.10         | I/O | General purpose digital I/O pin Port E Pin 10  |
|     |   |   |   | RMII1_CRSDV   | I   | RMII 1 carrier sense/ receive data valid   |
|     |   |   |   | UART8_TXD     | O   | Data transmitter output pin for UART 8   |
| 173 | - | - | - | PE.9          | I/O | General purpose digital I/O pin Port E Pin 9   |
|     |   |   |   | RMII1_RXDATA1 | I   | RMII 1 receive data bus bit 1  |
|     |   |   |   | SD1_nPWR      | O   | SD/SDIO #1 power enable  |
|     |   |   |   | UART1_CD      | I   | Carrier detect input pin for UART1   |
| 174 | - | - | - | PE.8          | I/O | General purpose digital I/O pin Port E Pin 8   |
|     |   |   |   | RMII1_RXDATA0 | I   | RMII 1 receive data bus bit 0  |
|     |   |   |   | SD1_nCD       | I   | SD/SDIO #1 card detect   |
|     |   |   |   | UART1_RI      | I   | Ring indicator input pin for UART 1  |
| 175 | - | - | - | PE.7          | I/O | General purpose digital I/O pin Port E Pin 7   |

|     |     |     |     |               |     |  |
|-----|-----|-----|-----|---------------|-----|--|
|     |     |     |     | RMII1_REFCLK  | I   | RMII 1 reference clock   |
|     |     |     |     | SD1_DAT3      | I/O | SD/SDIO #1 data line bit 3   |
|     |     |     |     | UART1_DSR     | I   | Data set ready input pin for UART 1  |
| 176 | -   | -   | -   | PE.6          | I/O | General purpose digital I/O pin Port E Pin 6   |
|     |     |     |     | RMII1_TXEN    | O   | RMII 1 transmit enable   |
|     |     |     |     | SD1_DAT2      | I/O | SD/SDIO #1 data line bit 2   |
|     |     |     |     | UART1_DTR     | O   | Data terminal ready output pin for UART 1  |
| 177 | 95  | -   | -   | PE.5          | I/O | General purpose digital I/O pin Port E Pin 5   |
|     |     |     |     | RMII1_TXDATA1 | O   | RMII 1 transmit data bus bit 1   |
|     |     |     |     | SD1_DAT1      | I/O | SD/SDIO #1 data line bit 1   |
|     |     |     |     | UART1_CTS     | I   | Clear to send input pin for UART1  |
|     |     |     |     | CLK_OUT       | O   | Reference Clock Output<br>Note. about CLK output programming please refer CLK_DIVCTL9 of TRM |
| 178 | 96  | -   | -   | PE.4          | I/O | General purpose digital I/O pin Port E Pin 4   |
|     |     |     |     | RMII1_TXDATA0 | O   | RMII 1 Transmit data bus bit 0   |
|     |     |     |     | SD1_DAT0      | I/O | SD/SDIO #1 data line bit 0   |
|     |     |     |     | UART1_RTS     | O   | Request to send output pin for UART 1  |
| 179 | 97  | -   | -   | PE.3          | I/O | General purpose digital I/O pin Port E Pin 3   |
|     |     |     |     | RMII1_MDIO    | I/O | RMII 1 Management Data I/O   |
|     |     |     |     | SD1_CLK       | O   | SD/ SDIO #1 clock  |
|     |     |     |     | UART1_RXD     | I   | Data receiver input pin for UART 1   |
| 180 | 98  | -   | -   | PE.2          | I/O | General purpose digital I/O pin Port E Pin 2   |
|     |     |     |     | RMII1_MDC     | O   | RMII 1 Management Data Clock   |
|     |     |     |     | SD1_CMD       | O   | SD/SDIO #1 command/response  |
|     |     |     |     | UART1_TXD     | O   | Data transmitter output pin for UART 1   |
| 181 | 99  | 96  | 96  | PE.1          | I/O | General purpose digital I/O pin Port E Pin 1   |
|     |     |     |     | UART0_RXD     | I   | Data receiver input pin for UART 0   |
| 182 | 100 | 97  | 97  | PE.0          | I/O | General purpose digital I/O pin Port E Pin 0   |
|     |     |     |     | UART0_TXD     | O   | Data transmitter output pin for UART 0   |
| 183 | 101 | 98  | 98  | IO_VDD        | P   | I/O power pin (3.3V)   |
| 184 | 102 | 99  | 99  | XT1_IN        | A   | External 12MHz crystal input pin   |
| 185 | 103 | 100 | 100 | XT1_OUT       | A   | External 12MHz crystal output pin  |



|     |     |     |     |               |     |  |
|-----|-----|-----|-----|---------------|-----|--|
| 186 | -   | 101 | 101 | VSS           | P   | Ground pin   |
| 187 | 104 | 102 | 102 | PF.9          | I/O | General purpose digital I/O pin Port F Pin 9   |
|     |     |     |     | RMII0_RXERR   | I   | RMII 0 receive data error  |
| 188 | 105 | 103 | 103 | PF.8          | I/O | General purpose digital I/O pin Port F Pin 8   |
|     |     |     |     | RMII0_CRSDV   | I   | RMII 0 carrier sense /receive data valid   |
| 189 | 106 | 104 | 104 | PF.7          | I/O | General purpose digital I/O pin Port F Pin 7   |
|     |     |     |     | RMII0_RXDATA1 | I   | RMII 0 receive data bus bit 1  |
| 190 | 107 | 105 | 105 | PF.6          | I/O | General purpose digital I/O pin Port F Pin 6   |
|     |     |     |     | RMII0_RXDATA0 | I   | RMII 0 receive data bus bit 0  |
| 191 | 108 | 106 | 106 | PF.5          | I/O | General purpose digital I/O pin Port F Pin 5   |
|     |     |     |     | RMII0_REFCLK  | I   | RMII 0 reference clock   |
| 192 | 109 | 107 | 107 | PF.4          | I/O | General purpose digital I/O pin Port F Pin 4   |
|     |     |     |     | RMII0_TXEN    | O   | RMII 0 transmit enable   |
| 193 | 110 | 108 | 108 | PF.3          | I/O | General purpose digital I/O pin Port F Pin 3   |
|     |     |     |     | RMII0_TXDATA1 | O   | RMII 0 transmit data bus bit 1   |
| 194 | 111 | 109 | 109 | PF.2          | I/O | General purpose digital I/O pin Port F Pin 2   |
|     |     |     |     | RMII0_TXDATA0 | O   | RMII 0 Transmit Data bus bit 0   |
| 195 | 112 | 110 | 110 | PF.1          | I/O | General purpose digital I/O pin Port F Pin 1   |
|     |     |     |     | RMII0_MDIO    | I/O | RMII 0 Management Data I/O   |
| 196 | 113 | 111 | 111 | PF.0          | I/O | General purpose digital I/O pin Port F Pin 0.  |
|     |     |     |     | RMII0_MDC     | O   | RMII 0 Management Data Clock   |
| 197 | 114 | 112 | 112 | PH.1          | I/O | General purpose digital I/O pin Port H Pin 1   |
|     |     |     |     | USB_OVRCUR    | I   | USB (0/1) host power overcurrent detection   |
|     |     |     |     | INT1          | I   | External interrupt 1 input pin<br>Note.support deep standby mode wakeup  |
| 198 | 115 | 113 | 113 | PH.0          | I/O | General purpose digital I/O pin Port H Pin 0   |
|     |     |     |     | USB0_VBUSVLD  | I   | USB 0 VBUS valid detection pin<br>Note. Don't connect VBUS_5V directly, please refer the development board schemctic for connection. |
|     |     |     |     | INT0          | I   | External interrupt 0 input pin<br>Note.support deep standby mode wakeup  |
| 199 | 116 | 114 | 114 | PF.10         | I/O | General purpose digital I/O pin Port F Pin 10  |
|     |     |     |     | USB_PWREN     | O   | USB (0/1) host VBUS output power control pin<br>Note. LQFP128 package only   |
| 200 | -   | -   | -   | PE.15         | I/O | General purpose digital I/O pin Port E Pin 15  |
|     |     |     |     | USB1_PWREN    | O   | USB 1 host VBUS output power control pin   |

|     |     |     |     |             |     |   |
|-----|-----|-----|-----|-------------|-----|---|
| 201 | -   | -   | -   | PE.14       | I/O | General purpose digital I/O pin Port E Pin 14   |
|     |     |     |     | USB0_PWREN  | O   | USB 0 host VBUS output power control pin  |
| 202 | -   | -   | -   | VSS         | P   | Ground pin  |
| -   | -   | 115 | 115 | CORE_VDD    | P   | Internal core power pin (1.2V)  |
| 203 | 117 | 116 | 116 | CORE_VDD    | P   | Internal core power pin (1.2V)  |
| 204 | 118 | 117 | 117 | USBPLL1_VDD | P   | USB 1 PLL power pin (1.2V)  |
| 205 | -   | -   | -   | USB1_VSS    | P   | USB 1 ground pin  |
| 206 | 119 | 118 | 118 | USB1_DM     | A   | USB 1 differential signal D-  |
| 207 | 120 | 119 | 119 | USB1_DP     | A   | USB 1 differential signal D+  |
| 208 | 121 | 120 | 120 | USB1_VDD    | AP  | USB 1 I/O PHY power pin (3.3V)  |
| 209 | 122 | 121 | 121 | USB1_REXT   | A   | USB 1 module reference Resister, please tied an external 12.1K resister to USB1_VSS or VSS. |
| 210 | 123 | 122 | 122 | USBPLL0_VDD | P   | USB 0 PLL power pin (1.2V)  |
| 211 | -   | 123 | 123 | USB0_VSS    | P   | USB 0 ground pin  |
| 212 | 124 | 124 | 124 | USB0_DM     | A   | USB 0 differential signal D-  |
| 213 | 125 | 125 | 125 | USB0_DP     | A   | USB 0 differential signal D+  |
| 214 | 126 | 126 | 126 | USB0_VDD    | AP  | USB 0 I/O PHY power pin (3.3V)  |
| 215 | 127 | 127 | 127 | USB0_REXT   | A   | USB 0 module reference Resister, please tied an external 12.1K resister to USB0_VSS or VSS. |
| -   | 128 | 128 | 128 | VSS         | P   | Ground pin  |
| 216 | 1   | 1   | 1   | USB0_ID     | IU  | USB 0 Host/Device select<br>1: Device (default)<br>0: Host                                  |

**Note: Pin type definition,**

I=Digital Input

IU=Digital Input with Internal pull high ( $R_{up} = 53K$  around, detail please refer to DC Electrical Characteristics.)

O=Digital Output

I/O= Digital Bi-direction

A=Analog signal

P=Power Pin

AP=Analog Power

## 4 BLOCK DIAGRAM

### 4.1 NUC970 Series Block Diagram

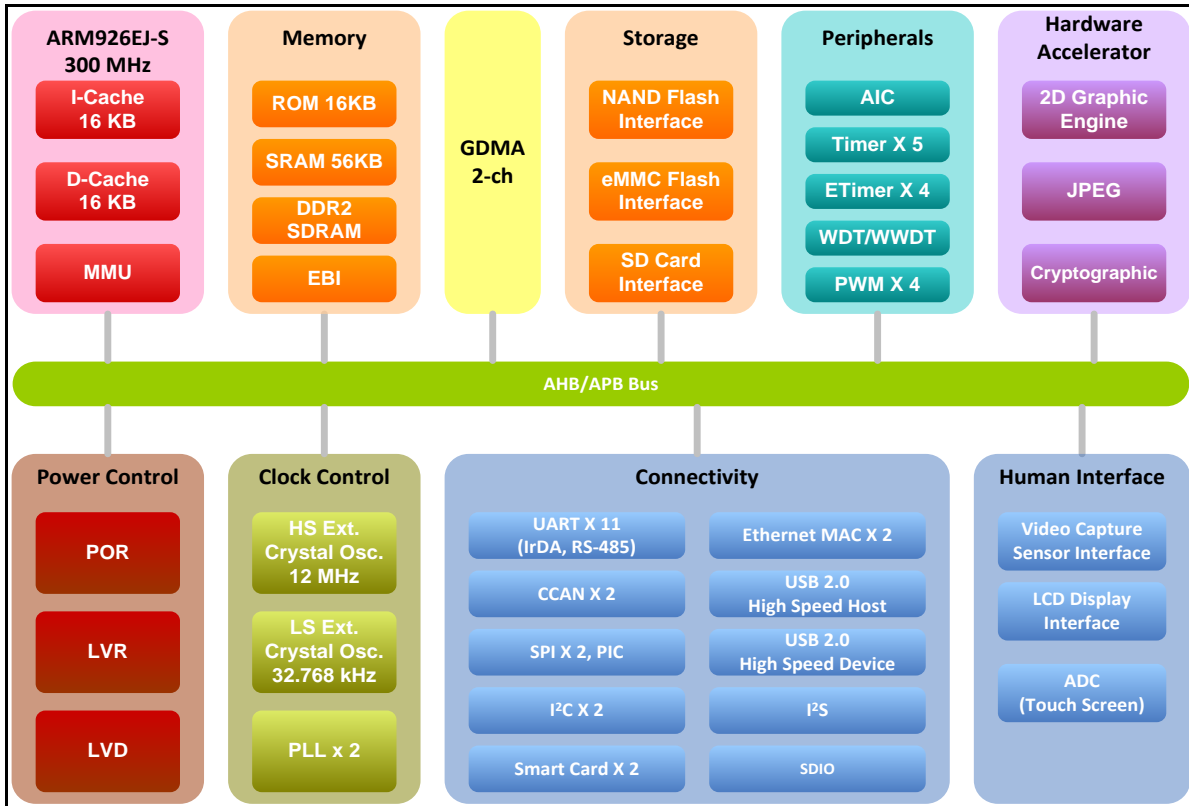


Figure 4.1 NUC970 Series Block Diagram

## 5 FUNCTIONAL DESCRIPTION

### 5.1 ARM® ARM926EJ-S CPU Core

#### 5.1.1 Overview

The ARM926EJ-S CPU core is a member of the ARM9 family of general-purpose microprocessors. The ARM926EJ-S CPU core is targeted at multi-tasking applications where full memory management, high performance, and low power are all important.

The ARM926EJ-S CPU core supports the 32-bit ARM and 16-bit Thumb instruction sets, enabling the user to choose between high performance and high code density. The ARM926EJ-S CPU core includes features for efficient execution of Java byte codes, providing Java performance similar to JIT, but without the associated code overhead.

The ARM926EJ-S processor provides support for external coprocessor enabling floating-point or other application-specific hardware acceleration to be added. The ARM926EJ-S CPU core implements ARM architecture version 5TEJ.

The ARM926EJ-S processor has a Harvard cached architecture and provides a complete high-performance processor subsystem, including:

- An ARM9EJ-S integer core.
- A Memory Management Unit (MMU).
- Separate instruction and data cache.
- Separate instruction and data AMBA AHB bus interfaces.

## 5.2 System Manager

### 5.2.1 Overview

The system management describes following information and functions.

- System Resets
- System Power Architecture
- System Memory Map
- System management registers for Product Identifier (PDID), Power-On Setting, System Wake-Up, Reset Control for on-chip controllers/peripherals, and multi-function pin control.
- System Control registers

## 5.3 Clock Controller (CLK\_CTL)

### 5.3.1 Overview

The clock controller generates all clocks for Video, Audio, CPU, AMBA and all the engine modules. This chip includes two PLL modules. The clock source for each module comes from the PLL, or from the external crystal input directly. For each clock there is bit on the CLKEN register to control the clock ON or OFF individually, and the divider setting is on the CLK\_DIVCTL register. The register can also be used to control the clock enable or disable for power control.

### 5.3.2 Features

- Supports two PLLs, up to 500 MHz, for high performance system operation
- External 12 MHz high speed crystal input for precise timing operation
- External 32.768 kHz low speed crystal input for RTC function and low speed clock source

## 5.4 Advanced Interrupt Controller (AIC)

### 5.4.1 Overview

An interrupt temporarily changes the sequence of program execution to react to a particular event such as power failure, watchdog timer timeout, transmit/receive request from Ethernet MAC Controller, and so on. The CPU processor provides two modes of interrupt, the Fast Interrupt (FIQ) mode for critical session and the Interrupt (IRQ) mode for general purpose. The IRQ request is occurred when the nIRQ input is asserted. Similarly, the FIQ request is occurred when the nFIQ input is asserted. The FIQ has privilege over the IRQ and can preempt an ongoing IRQ. It is possible to ignore the FIQ and the IRQ by setting the F and I bits in the current program status register (CPSR).

The Advanced Interrupt Controller (AIC) is capable of processing the interrupt requests up to 64 different sources. Currently, 61 interrupt sources are defined. Each interrupt source is uniquely assigned to an interrupt channel. For example, the watchdog timer interrupt is assigned to channel 1. The AIC implements a proprietary eight-level priority scheme that categories the available 61 interrupt sources into eight priority levels. Interrupt sources within the priority level 0 is the highest priority and the priority level 7 is the lowest. In order to make this scheme work properly, a certain priority level must be specified to each interrupt source during power-on initialization; otherwise, the system shall behave unexpectedly.

Within each priority level, interrupt source that is positioned in a lower channel has a higher priority. Interrupt source that is active, enabled, and positioned in the lowest channel with priority level 0 is promoted to the FIQ. Interrupt sources within the priority levels other than 0 are routed to the IRQ. The IRQ can be preempted by the occurrence of the FIQ. Interrupt nesting is performed automatically by the AIC.

Though interrupt sources originated from the chip itself are intrinsically high-level sensitive, the AIC can be configured as either low-level sensitive, high-level sensitive, negative-edge triggered, or positive-edge triggered to each interrupt source.

### 5.4.2 Features

- AMBA APB bus interface
- External interrupts can be programmed as either edge-triggered or level-sensitive
- External interrupts can be programmed as either low-active or high-active
- Flags to reflect the status of each interrupt source
- Individual mask for each interrupt source
- Support proprietary 8-level interrupt scheme to employ the priority scheme.
- Priority methodology is adopted to allow for interrupt daisy-chaining
- Automatically masking out the lower priority interrupt during interrupt nesting
- Automatically clearing the interrupt flag when the external interrupt source is programmed to be edge-triggered

## 5.5 SDRAM Interface Controller (SDIC)

### 5.5.1 Overview

The SDRAM Controller support DDR and DDR2 type SDRAM. Only 16-bit data bus width is supported.

The SDRAM controller interface to three isolated AHB. All these AHB masters can access the memory independent. Except the memory access, the masters of AHB also could access the SDRAM control registers.

For performance and function issue, the SDRAM controller also supports the proprietary Enhanced-AHB. The EAHB add the down-count address mode, byte-enable signal and explicit burst access number. The explicit access number function is reached by modify the HBURST signal to EHBURST and it represent the access number. The maximum EAHB access number is 16. The SDRAM controller also builds a BIST module to test the external memory device.

An internal arbiter is used to schedule the access from the masters and the BIST request, the BIST request with the highest priority and the then the AHB3 master, AHB2 master and AHB1 master.

The SDRAM controller uses 3 pipe queues to improve the SDRAM command and data bus efficiency. The request in queue0 is the SDRAM active data access request. Simultaneous, the requests in queue1 can request the controller to issue the ACTIVE or PRECHARGE command to reduce the access latency for the later command. The queue1 also can issue the READ or WRITE command to close the SDRAM command when advance pipe queue

The SDRAM refresh rate is programmable. The Refresh and Power-on control module generate the refresh request signal and SDRAM power on sequence. The SDRAM controller also supports software reset, SDRAM self-refresh and auto power down function.

### 5.5.2 Features

- Support DDR and DDR2 SDRAM
- Clock speed up to 150 MHz
- Support 16-bit data bus width
- Memory size depended on embedded SDRAM configuration by different part number.

## 5.6 MTP Controller (MTP)

### 5.6.1 Overview

The MTP (Multi-Time Programmable) controller performs an easy way to use and program the 256-bit Key for IP Security Engine. There is a MTP EPROM in this chip, and it can be programmed 15 times. User can program 256-bit key and 8-bit user defined fields each time. The 256-bit key is program-only, and only can be used by IP Security Engine. User can use the 8-bit user defined field for special purpose. The MTP also supports a LOCK function to protect the content of programmed key and user defined field.

### 5.6.2 Features

- Support MTP EPROM programming
  - 256-bit Key and 8-bit user defined data field
  - Up to 15 times programming
- Support LOCK function

## 5.7 External Bus Interface (EBI)

### 5.7.1 Overview

This chip supports External Bus Interface (EBI), which controls the access to the external memory (SRAM) and External I/O devices. The EBI has up to 5 chip select signals to select different devices with 10-bit address bus. It supports 8-bit and 16-bit external data bus width for each bank.

### 5.7.2 Features

- Support SRAM and external I/O devices.
- Support 8/16-bit data bus width.
- Support 80 and 68 mode interface signals.
- Support up to 5 chip selects for SRAM and external I/O devices.
- Support programmable access cycle.
- Support four 32-bit write buffers.

## 5.8 General Purpose I/O (GPIO)

### 5.8.1 Overview

The NUC970 series have up to 148 General-Purpose I/O (GPIO) pins and can be shared with other function pins depending on the chip configuration. These 148 pins are arranged in 10 ports named as PA, PB, PC, PD, PE, PF, PG, PH, PI and PJ. PA, PB, PD, PE, PF, PG, PH and PI have 16 pins on port, PC has 15 pins on port and PJ has 5 pins on port. Each of the 148 I/O pins is independent and can be easily configured by user to meet various system configurations and design requirements. After reset, all 148 I/O pins are configured in General-Purpose I/O Input mode.

When any of the 148 I/O pins used as a General-Purpose I/O, its I/O type can be configured by user individually as Input or Output mode. In Input mode, the input buffer type could be selected as CMOS input buffer or Schmitt trigger input buffer. Each I/O pin also equips a pull-up resistor (45 k $\Omega$  ~ 82 k $\Omega$ ) and a pull-down resistor (37 k $\Omega$  ~ 91 k $\Omega$ ). The enable of pull-up/pull-down resistor is controllable.

### 5.8.2 Features

- Support input and output mode.
- Support CMOS and Schmitt trigger input buffer.
- Support controllable pull-up and pull-down resistor.
- Support both edge and level interrupt.
- Support de-bounce circuit to filter the noise.

## 5.9 General DMA Controller (GDMA)

### 5.9.1 Overview

The chip has a two-channel general DMA controller with or without descriptor fetch operation, called the GDMA. The two-channel GDMA performs the memory-to-memory data transfers without the CPU intervention:

The on-chip GDMA can be started by the software. Software can also be used to restart the GDMA operation after it has been stopped. The CPU can recognize the completion of a GDMA operation by software polling or when it receives an internal GDMA interrupt. The GDMA controller can increment source or destination address, decrement them as well, and conduct 8-bit (byte), 16-bit (half-word), or 32-bit (word) data transfers.

### 5.9.2 Features

- AMBA AHB compliant
- Descriptor and Non-Descriptor based function
- Supports 8-data burst mode to boost performance
- Provides support for external GDMA device
- Demand mode speeds up external GDMA operations

## 5.10 Timer Controller (TMR)



### 5.10.1 Overview

The general timer controller includes five channels, TIMER0, TIMER1, TIMER2, TIMER3, and TIMER4, which allow user to easily implement a counting scheme or timing control for applications. The timer can perform functions like frequency measurement, event counting, interval measurement, pulse generation, delay timing, and so on. The timer possesses features such as adjustable resolution, programmable counting period, and detailed information. The timer can generate an interrupt signal upon timeout, or provide the current value of count during operation.

### 5.10.2 Features

- Independent Clock Source for each Timer channel (TMRx\_CLK, x= 0, 1, 2, 3, 4).
- Five channels with a 24-bit up counter and an interrupt request each.
- Internal 8-bit pre-scale counter.
- Internal 24-bit up counter is readable through Timer Data Register, TDR (TMR\_DR[23:0]).
- Supports One-shot, Periodic, and Continuous operation mode.
- Time-out period = (Period of timer clock input) \* (8-bit pre-scale counter + 1) \* (24-bit TCMP setting value).
- Maximum counting time =  $\frac{1}{12 \text{ MHz}} \times 256 \times (2^{24} - 1)$ , if TMRx\_CLK = 12 MHz.

## 5.11 Enhance Timer Controller (ETMR)

### 5.11.1 Overview

This chip is equipped with four enhance timer modules including ETIMER0, ETIMER1, ETIMER2 and ETIMER3, which allow user to easily implement a counting scheme or timing control for applications. The timer can perform functions like frequency measurement, event counting, interval measurement, clock generation, delay timing, and so on. The timer can generate an interrupt signal upon timeout, or provide the current value of count during operation.

### 5.11.2 Features

- Independent Clock Enable Control for each Timer (ECLKetmr0, ECLKetmr1, ECLKetmr2 and ECLKetmr3)
- Time-out period = (Period of timer clock input) \* (8-bit pre-scale counter + 1) \* (24-bit TCMP)
- Counting cycle time =  $(1 / \text{ECLKetmr}) * (2^8) * (2^{24})$
- Internal 8-bit pre-scale counter
- Internal 24-bit up counter is readable through TDR (Timer Data Register)
- Supports One-shot, Periodic, Output Toggle and Continuous Counting Operation mode
- Supports external pin capture for interval measurement
- Supports external pin capture for timer counter reset

## 5.12 Pulse Width Modulation (PWM)

### 5.12.1 Overview

This chip has one PWM controller, and it has 4 independent PWM outputs, CH0~CH3, or as 2 complementary PWM pairs, (CH0, CH1), (CH2, CH3) with 2 programmable dead-zone generators. Each PWM pair has one Prescaler, one clock divider, two clock selectors, two 16-bit PWM counters, two 16-bit comparators, and one Dead-Zone generator. They are all driven by APB system clock (PCLK) in chip. Each PWM channel can be used as a timer and issue interrupt independently.

Two channels PWM Timers in one pair share the same prescaler. The Clock divider provides each PWM channel with 5 divided clock sources (1, 1/2, 1/4, 1/8, 1/16). Each channel receives its own clock signal from clock divider which receives clock from 8-bit prescaler. The 16-bit down-counter in each channel receive clock signal from clock selector and can be used to handle one PWM period. The 16-bit comparator compares PWM counter value with threshold value in register CMR (PWM\_CMR[15:0]) loaded previously to generate PWM duty cycle. The clock signal from clock divider is called PWM clock. Dead-Zone generator utilize PWM clock as clock source. Once Dead-Zone generator is enabled, two outputs of the corresponding PWM channel pair will be replaced by the output of Dead-Zone generator. The Dead-Zone generator is used to control off-chip power device.

To prevent PWM driving output pin with unsteady waveform, 16-bit down-counter and 16-bit comparator are implemented with double buffering feature. User can feel free to write data to counter buffer register and comparator buffer register without generating glitch. When 16-bit down-counter reaches zero, the interrupt request is generated to inform CPU that time is up. When counter reaches zero, if counter is set as periodic mode, it is reloaded automatically and start to generate next cycle. User can set PWM counter as one-shot mode instead of periodic mode. If counter is set as one-shot mode, counter will stop and generate one interrupt request when it reaches zero. The value of comparator is used for pulse width modulation. The counter control logic changes the output level when down-counter value matches the value of compare register.

### 5.12.2 Features

- 4 PWM channels with a 16-bit down counter and an interrupt each
- 2 complementary PWM pairs, (CH0, CH1), (CH2, CH3), with a programmable dead-zone generator each
- Internal 8-bit prescaler and a clock divider for each PWM paired channel
- Independent clock source selection for each PWM channel
- Internal 16-bit down counter and 16-bit comparator for each independent PWM channel
- PWM down-counter supports One-shot or Periodic mode

## 5.13 Watchdog Timer (WDT)

### 5.13.1 Overview

The purpose of Watchdog Timer (WDT) is to perform a system reset when system runs into an unknown state. This prevents system from hanging for an infinite period of time. Besides, this Watchdog Timer supports the function to wake-up system from Idle/Power-down mode.

### 5.13.2 Features

- 18-bit free running up counter for WDT time-out interval
- Selectable time-out interval ( $2^4 \sim 2^{18}$ ) and the time-out interval is 0.48828125 ms ~ 8 s if WDT\_CLK = 32.768 kHz
- System kept in reset state for a period of  $(1 / \text{WDT\_CLK}) * 63$

- Supports selectable WDT reset delay period, including 1026、130、18 or 3 WDT\_CLK reset delay period
- Supports to force WDT enabled after chip powered on or reset by setting WDTON in PWRON register
- Supports WDT time-out wake-up function only if WDT clock source is selected as 32 kHz

## 5.14 Windowed Watchdog Timer (WWDT)

### 5.14.1 Overview

The Window Watchdog Timer (WWDT) is used to perform a system reset within a specified window period to prevent software run to uncontrollable status by any unpredictable condition.

### 5.14.2 Features

- 6-bit down counter value (CNTDAT) and 6-bit compare value (CMPDAT) to make the WWDT time-out window period flexible.
- Supports 4-bit value (PSCSEL) to programmable maximum 11-bit prescale counter period of WWDT counter.

## 5.15 Real Time Clock (RTC)

### 5.15.1 Overview

The Real Time Clock (RTC) controller provides the real time clock and calendar information. The clock source of RTC controller is from an external 32.768 kHz low-speed crystal which connected at pins X32\_IN and X32\_OUT (refer to pin Description). The RTC controller provides the real time clock (hour, minute, second) in RTC\_TIME (RTC Time Loading Register) as well as calendar information (year, month, day) in RTC\_CAL (RTC Calendar Loading Register). It also offers RTC alarm function that user can preset the alarm time in RTC\_TALM (RTC Time Alarm Register) and alarm calendar in RTC\_CALM (RTC Calendar Alarm Register). The data format of RTC time and calendar message are all expressed in BCD (Binary Coded Decimal) format.

The RTC controller supports periodic RTC Time Tick and Alarm Match interrupts. The periodic RTC Time Tick interrupt has 8 period interval options 1/128, 1/64, 1/32, 1/16, 1/8, 1/4, 1/2 and 1 second which are selected by RTC\_TICK (RTC\_TICK[2:0] Time Tick Register). When real time and calendar message in RTC\_TIME and RTC\_CAL are equal to alarm time and calendar settings in RTC\_TALM and RTC\_CALM, the ALMIF (RTC\_INTSTS [0] RTC Alarm Interrupt Flag) is set to 1 and the RTC alarm interrupt signal is generated if the ALMIEN (RTC\_INTEN [0] Alarm Interrupt Enable) is enabled.

Both RTC Time Tick and Alarm Match interrupt signal can cause chip to wake-up from Idle or Power-down mode if the corresponding interrupt enable bit (ALMIEN or TICKIEN) is set to 1 before chip enters Idle or Power-down mode.

Real Time Clock (RTC) block can operate with independent power supply (RTC\_VDD) while the system power is off.

### 5.15.2 Features

- Supports real time counter and calendar counter for RTC time and calendar check.
- Supports time (hour, minute, second) and calendar (year, month, day) alarm and alarm mask settings.
- Selectable 12-hour or 24-hour time scale.
- Supports Leap Year indication.
- Supports Day of the Week counter.
- Supports frequency compensation mechanism for 32.768 kHz clock source.
- All time and calendar message expressed in BCD format.
- Supports periodic RTC Time Tick interrupt with 8 period interval options 1/128, 1/64, 1/32, 1/16, 1/8, 1/4, 1/2 and 1 second.
- Supports RTC Time Tick and Alarm match interrupt.
- Supports chip wake-up from Idle or Power-down mode while alarm or relative alarm interrupt is generated.
- Supports 64 bytes spare registers to store user's important information.
- Supports power on/off control mechanism to control system core power.

## 5.16 UART Interface Controller (UART)

This chip equips up to eleven channels of Universal Asynchronous Receiver/Transmitters (UART). UART1/2/4/6/8/10 supports High-speed UART and UART0/3/5/7/9 perform Normal Speed UART, besides, all the UART channels support flow control function. The UART controller also supports IrDA (SIR), LIN Master/Slave and RS-485 function modes.

### 5.16.1 Overview

The Universal Asynchronous Receiver/Transmitter (UART) performs a serial-to-parallel conversion on data received from the peripheral, and a parallel-to-serial conversion on data transmitted from the CPU.

Each UART channel supports seven types of interrupts including (1). Transmitter FIFO empty interrupt (INT\_THRE), (2). Receiver threshold level reaching interrupt (INT\_RDA), (3). Line status interrupt (parity error or framing error or break interrupt) (INT\_RLS), (4). Receiver buffer time-out interrupt (INT\_TOUT), (5). MODEM/Wake-up status interrupt (INT\_MODEM), (6). Buffer error interrupt (INT\_BUF\_ERR), and (7). LIN interrupt (INT\_LIN).

The UART1/ 2/ 4/ 6/ 8/ 10 is built-in with a 64-byte transmitter FIFO (TX\_FIFO) and a 64-byte receiver FIFO (RX\_FIFO) that reduces the number of interrupts presented to the CPU and the UART0/ 3/ 5/ 7/ 9 are equipped 16-byte transmitter FIFO (TX\_FIFO) and 16-byte receiver FIFO (RX\_FIFO). The CPU can read the status of the UART at any time during the operation. The reported status information includes the type and condition of the transfer operations being performed by the UART, as well as 4 error conditions (parity error, framing error, break interrupt and buffer error) probably occur while receiving data.

The UART includes a programmable baud rate generator that is capable of dividing clock input by divisors to produce the serial clock that transmitter and receiver need.

All of the controllers support auto-flow control function that uses two low-level signals, /CTS (clear-to-send) and /RTS (request-to-send), to control the flow of data transfer between the UART and external devices (ex: Modem). When auto-flow is enabled, the UART is not allowed to receive data until the UART asserts /RTS to external device. When the number of bytes in the RX FIFO equals the value of RTS\_TRI\_LEV (UA\_FCR [19:16]), the /RTS is de-asserted. The UART sends data out when UART controller detects /CTS is asserted from external device. If a valid asserted /CTS is not detected the UART controller will not send data out.

The UART controllers also provides Serial IrDA (SIR, Serial Infrared) function (The IrDA mode is selected by setting the (FUN\_SEL(UA\_FUN\_SEL[2:0]) = 010) to select IrDA function). The SIR specification defines a short-range infrared asynchronous serial transmission mode with one start bit, 8 data bits, and 1 stop bit. The maximum data rate is 115.2 Kbps (half duplex). The IrDA SIR block contains an IrDA SIR Protocol encoder/decoder. The IrDA SIR protocol is half-duplex only. So it cannot transmit and receive data at the same time. The IrDA SIR physical layer specifies a minimum 10ms transfer delay between transmission and reception. This delay feature must be implemented by software.

The alternate function of UART controllers is LIN (Local Interconnect Network) function. The LIN mode is selected by setting the (FUN\_SEL(UA\_FUN\_SEL[2:0]) = 001) to select LIN mode. In LIN mode, one start bit and 8-bit data format with 1-bit stop bit are required in accordance with the LIN standard.

For the NUC970 series, another alternate function of UART controllers is RS-485 9-bit mode function, and direction control provided by RTS pin to implement the function by software. The RS-485 mode is selected by setting the (FUN\_SEL(UA\_FUN\_SEL[2:0]) = 011) to select RS-485 function. The RS-485 driver control is implemented using the RTS control signal from an asynchronous serial port to enable the RS-485 driver. In RS-485 mode, many characteristics of the RX and TX are the same as UART.

### 5.16.2 Features

- Full duplex, asynchronous communications
- Separate receive / transmit 64/16 bytes entry FIFO for data payloads
- Supports hardware auto flow control/flow control function (CTS, RTS) and programmable RTS flow control trigger level
- Programmable receiver buffer trigger level
- Supports programmable baud-rate generator for each channel individually
- Supports CTS wake-up function
- Supports 8-bit receiver buffer time-out detection function
- Programmable transmitting data delay time between the last stop and the next start bit by setting DLY(UA\_TOR[15:8]) register
- Supports break error, frame error, parity error and receive / transmit buffer overflow detect function
- Fully programmable serial-interface characteristics
- Programmable number of data bit, 5-, 6-, 7-, 8-bit character
- Programmable parity bit, even, odd, no parity or stick parity bit generation and detection
- Programmable stop bit, 1, 1.5, or 2 stop bit generation
- Supports IrDA SIR function mode
- Supports LIN function mode
- Supports RS-485 function mode

## 5.17 Smart Card Host Interface (SC)

### 5.17.1 Overview

The Smart Card Interface controller (SC controller) is based on ISO/IEC 7816-3 standard and fully compliant with PC/SC Specifications. It also provides status of card insertion/removal.

### 5.17.2 Features

- ISO-7816-3 T = 0, T = 1 compliant
- EMV2000 compliant
- Up to two ISO-7816-3 ports
- Separates receive/transmit 4 byte entry FIFO for data payloads
- Programmable transmission clock frequency
- Programmable receiver buffer trigger level
- Programmable guard time selection (11 ETU ~ 267 ETU)
- A 24-bit and two 8-bit timers for Answer to Request (ATR) and waiting times processing
- Supports auto inverse convention function
- Supports transmitter and receiver error retry and error number limiting function

- Supports hardware activation sequence, hardware warm reset sequence and hardware deactivation sequence process
- Supports hardware auto deactivation sequence when detected the card removal
- Supports UART mode
  - ◆ Full duplex, asynchronous communications
  - ◆ Separates receiving / transmitting 4 bytes entry FIFO for data payloads
  - ◆ Supports programmable baud rate generator for each channel
  - ◆ Supports programmable receiver buffer trigger level
  - ◆ Programmable transmitting data delay time between the last stop bit leaving the TX-FIFO and the de-assertion by setting EGT (SC\_EGT[7:0])
  - ◆ Programmable even, odd or no parity bit generation and detection
  - ◆ Programmable stop bit, 1- or 2- stop bit generation

## 5.18 I<sup>2</sup>C Synchronous Serial Interface Controller (I<sup>2</sup>C)

### 5.18.1 Overview

I<sup>2</sup>C is a two-wire, bi-directional serial bus that provides a simple and efficient method of data exchange between devices. The I<sup>2</sup>C standard is a true multi-master bus including collision detection and arbitration that prevents data corruption if two or more masters attempt to control the bus simultaneously.

Serial, 8-bit oriented bi-directional data transfers can be up to 100 Kbit/s in Standard-mode, 400 Kbit/s in the Fast-mode, or 3.4 Mbit/s in the High-speed mode. Only 100kbps and 400kbps modes are supported directly in this chip.

Data transfer is synchronized to SCL signal between a Master and a Slave with byte-by-byte basis. Each data byte is 8 bits long. There is one SCL clock pulse for each data bit with the MSB being transmitted first. An acknowledge bit follows each transferred byte. Each bit is sampled during the high period of SCL; therefore, the SDA line may be changed only during the low period of SCL and must be held stable during the high period of SCL. A transition on the SDA line while SCL is high is interpreted as a command (START or STOP).

### 5.18.2 Features

- Compatible with Philips I<sup>2</sup>C standard, support master mode
- Multi Master Operation.
- Clock stretching and wait state generation.
- Provide multi-byte transmit operation, up to 4 bytes can be transmitted in a single transfer
- Software programmable acknowledge bit.
- Arbitration lost interrupt, with automatic transfer cancellation.
- Start/Stop/Repeated Start/Acknowledge generation.
- Start/Stop/Repeated Start detection.
- Bus busy detection.
- Supports 7 bit addressing mode.
- Fully static synchronous design with one clock domain.

- Software mode I<sup>2</sup>C.

## 5.19 SPI Interface Controller (SPI)

### 5.19.1 Overview

The SPI is a synchronous serial interface performs a serial-to-parallel conversion on data characters received from the peripheral, and a parallel-to-serial conversion on data characters received from CPU. This interface can drive up to 2 external peripherals and is seen as the master.

### 5.19.2 Features

- Support master mode
- Full duplex synchronous serial data transfer
- Variable length of transfer word up to 32 bits
- Provide burst mode operation, transmit/receive can be executed up to four times in one transfer
- MSB or LSB first data transfer
- Rx and Tx on both rising or falling edge of serial clock independently
- Support 2 slave/device select lines
- Support dual IO and quad mode for SPI flash access

## 5.20 I<sup>2</sup>S Controller (I<sup>2</sup>S)

### 5.20.1 Overview

The I<sup>2</sup>S controller consists of I<sup>2</sup>S and PCM protocols to interface with external audio CODEC. The I<sup>2</sup>S and PCM interface supports 8, 16, 18, 20 and 24-bit left/right precision in record and playback. When operating in 18/20/24-bit precision, each left/right-channel sample is stored in a 32-bit word. Each left/right-channel sample has 24/20/18 MSB bits of valid data and other LSB bits are the padding zeros. When operating in 16-bit precision, right-channel sample is stored in MSB of a 32-bit word and left-channel sample is stored in LSB of a 32-bit word.

The following are the property of the DMA.

- When 16-bit precision, the DMA always 8-beat incrementing burst (FIFO\_TH = 0) or 4-beat incrementing burst (FIFO\_TH = 1).
- When 24/20/18-bit precision, the DMA always 16-beat incrementing burst (FIFO\_TH = 0) or 8-beat incrementing burst (FIFO\_TH = 1).
- Always bus lock when 4-beat or 8-beat or 16-beat incrementing burst.
- When reach eighth, quarter, middle and end address of destination address, a DMA\_IRQ is triggered to CPU automatically.

An AHB master port and an AHB slave port are offered in I<sup>2</sup>S controller.

### 5.20.2 Features

- Support I<sup>2</sup>S interface record and playback
  - Left/right channel



- 8, 16, 20, 24-bit data precision
  - Master and slave mode
- Support PCM interface record and playback
  - Two slots
  - 8, 16, 20, 24-bit data precision
  - Master mode
- Use DMA to playback and record data, with interrupt
- Support two addresses for left/right channel data and different slots

## 5.21 Ethernet MAC Controller (EMAC)

### 5.21.1 Overview

This chip provides 2 Ethernet MAC Controller (EMAC) for Network application.

The Ethernet MAC controller consists of IEEE 802.3/Ethernet protocol engine with internal CAM function for recognizing Ethernet MAC addresses; Transmit-FIFO, Receive-FIFO, TX/RX state machine controller, time stamping engine for IEEE 1588, Magic Packet parsing engine and status controller.

The EMAC supports RMII (Reduced MII) interface to connect with external Ethernet PHY.

### 5.21.2 Features

- Supports IEEE Std. 802.3 CSMA/CD protocol
- Supports Ethernet frame time stamping for IEEE Std. 1588 – 2002 protocol
- Supports both half and full duplex for 10 Mbps or 100 Mbps operation
- Supports RMII interface
- Supports MII Management function to control external Ethernet PHY
- Supports pause and remote pause function for flow control
- Supports long frame (more than 1518 bytes) and short frame (less than 64 bytes) reception
- Supports 16 entries CAM function for Ethernet MAC address recognition
- Supports Magic Packet recognition to wake system up from power-down mode
- Supports 256 bytes transmit FIFO and 256 bytes receive FIFO
- Supports DMA function

## 5.22 USB 2.0 Device Controller (USB2D)

### 5.22.1 Overview

The USB device controller interfaces the AHB bus and the UTMI bus. The USB controller contains both the AHB master interface and AHB slave interface. CPU programs the USB controller registers through the AHB slave interface. For IN or OUT transfer, the USB device controller needs to write data to memory or read data from memory through the AHB master interface. The USB device controller is compliant with USB 2.0 specification and it contains 12 configurable endpoints in addition to control endpoint.

These endpoints could be configured to BULK, INTERRUPT or ISO. The USB device controller has a built-in DMA to relieve the load of CPU.

### 5.22.2 Features

- USB Specification revision 2.0 compliant
- Supports 12 configurable endpoints in addition to Control Endpoint
- Each of the endpoints can be Isochronous, Bulk or Interrupt and either IN or OUT direction
- Three different operation modes of an in-endpoint – Auto Validation mode, Manual Validation mode, Fly mode
- Supports DMA operation
- 4096 Bytes Configurable RAM used as endpoint buffer
- Supports Endpoint Maximum Packet Size up to 1024 bytes

## 5.23 USB Host Controller (USBH)

### 5.23.1 Overview

The Universal Serial Bus (USB) is a fast, bi-directional, isochronous, low-cost, dynamically attachable serial interface standard intended for modem, scanners, PDAs, keyboards, mice, and digital imaging devices. The USB is a 4-wire serial cable bus that supports serial data exchange between a Host Controller and a network of peripheral devices. The attached peripherals share USB bandwidth through a host-scheduled, token-based protocol. Peripherals may be attached, configured, used, and detached, while the host and other peripherals continue operation (i.e. hot plug and unplug is supported).

### 5.23.2 Features

- Fully compliant with USB Revision 2.0 specification.
- Enhanced Host Controller Interface (EHCI) Revision 1.0 compatible.
- Open Host Controller Interface (OHCI) Revision 1.0 compatible.
- Supports high-speed (480Mbps), full-speed (12Mbps) and low-speed (1.5Mbps) USB devices.
- Supports Control, Bulk, Interrupt, Isochronous and Split transfers.
- Integrated a port routing logic to route full/low speed device to OHCI controller.
- Built-in DMA for real-time data transfer.

## 5.24 Controller Area Network (CAN)

### 5.24.1 Overview

The C\_CAN consists of the CAN Core, Message RAM, Message Handler, Control Registers and Module Interface. The CAN Core performs communication according to the CAN protocol version 2.0 part A and B. The bit rate can be programmed to values up to 1Mbit/s. For the connection to the physical layer, additional transceiver hardware is required.

For communication on a CAN network, individual Message Objects are configured. The Message Objects and Identifier Masks for acceptance filtering of received messages are stored in the Message RAM. All functions concerning the handling of messages are implemented in the Message Handler.

These functions include acceptance filtering, the transfer of messages between the CAN Core and the Message RAM, and the handling of transmission requests as well as the generation of the module interrupt.

The register set of the C\_CAN can be accessed directly by the software through the module interface. These registers are used to control/configure the CAN Core and the Message Handler and to access the Message RAM.

### 5.24.2 Features

- Supports CAN protocol version 2.0 part A and B
- Bit rates up to 1 Mbit/s
- 32 Message Objects
- Each Message Object has its own identifier mask
- Programmable FIFO mode (concatenation of Message Objects)
- Maskable interrupt
- Disabled Automatic Re-transmission mode for Time Triggered CAN applications
- Programmable loop-back mode for self-test operation
- 16-bit module interfaces to the AMBA APB bus
- Supports wake-up function

## 5.25 Flash Memory Interface (FMI)

### 5.25.1 Overview

The Flash Memory Interface (FMI) of this Chip has DMA unit and FMI unit. The DMA unit provides a DMA (Direct Memory Access) function for FMI to exchange data between system memory (I SDRAM) and shared buffer (128 bytes), and the FMI unit control the interface of eMMC or NAND flash. The interface controller can support eMMC and NAND-type flash and the FMI is cooperated with DMAC to provide a fast data transfer between system memory and cards.

### 5.25.2 Features:

- Support single DMA channel and address in non-word boundary.
- Support hardware Scatter-Gather function.
- Support 128Bytes shared buffer for data exchange between system memory and flash device. (Separate into two 64 bytes ping-pong FIFO).
- Support eMMC Flash device.
- Supports SLC and MLC NAND type Flash.
- Adjustable NAND page sizes. (512B+spare area, 2048B+spare area, 4096B+spare area and 8192B+spare area).
- Support up to 4bit/8bit/12bit/15bit/24bit hardware ECC calculation circuit to protect data communication.
- Support programmable NAND timing cycle.

## 5.26 Secure Digital Host Controller (SDH)

### 5.26.1 Overview

The Secure-Digital Card Host Controller (SDH) equips DMAC unit and SD unit. The DMAC unit provides a DMA (Direct Memory Access) function for SD to exchange data between system memory and shared buffer (128 bytes), and the SD unit controls the interface of SD/SDHC/SDIO. The SDH controller supports SD/SDHC/SDIO card and cooperates with DMAC to provide a fast data transfer between system memory and cards.

### 5.26.2 Features

- Supports single DMA channel
- Supports hardware Scatter-Gather functionality.
- Supports 128 Bytes shared buffer for data exchange between system memory and cards.
- Supports SD, SDHC and SDIO card.

## 5.27 Cryptographic Accelerator (CRYPTO)

### 5.27.1 Overview

The Crypto (Cryptographic Accelerator) includes a secure pseudo random number generator (PRNG) core and supports AES, DES/TDES, SHA and HMAC algorithms.

The PRNG core supports 64 bits, 128 bits, 192 bits, and 256 bits random number generation.

The AES accelerator is an implementation fully compliant with the AES (Advance Encryption Standard) encryption and decryption algorithm. The AES accelerator supports ECB, CBC, CFB, OFB, CTR, CBC-CS1, CBC-CS2, and CBC-CS3 mode.

The DES/TDES accelerator is an implementation fully compliant with the DES and Triple DES encryption/decryption algorithm. The DES/TDES accelerator supports ECB, CBC, CFB, OFB, and CTR mode.

The SHA accelerator is an implementation fully compliant with the SHA-160, SHA-224, SHA-256, SHA-384, and SHA-512 and corresponding HMAC algorithms.

### 5.27.2 Features

- PRNG
  - ◆ Supports 64 bits, 128 bits , 192 bits, and 256 bits random number generation
- AES
  - ◆ Supports FIPS NIST 197
  - ◆ Supports SP800-38A and addendum
  - ◆ Supports 128, 192, and 256 bits key
  - ◆ Supports both encryption and decryption
  - ◆ Supports ECB, CBC, CFB, OFB , CTR, CBC-CS1, CBC-CS2, and CBC-CS3 mode
  - ◆ Supports key expander
- DES
  - ◆ Supports FIPS 46-3
  - ◆ Supports both encryption and decryption
  - ◆ Supports ECB, CBC, CFB, OFB, and CTR mode
- TDES
  - ◆ Supports FIPS NIST 800-67
  - ◆ Implemented according to the X9.52 standard
  - ◆ Supports two keys or three keys mode
  - ◆ Supports both encryption and decryption
  - ◆ Supports ECB, CBC, CFB, OFB, and CTR mode
- SHA
  - ◆ Supports FIPS NIST 180, 180-2
  - ◆ Supports SHA-160, SHA-224, SHA-256, SHA-384, and SHA-512
- HMAC

- ◆ Supports FIPS NIST 180, 180-2
- ◆ Supports HMAC-SHA-160, HMAC-SHA-224, HMAC-SHA-256, HMAC-SHA-384, and HMAC-SHA-512

## 5.28 2D Graphic Engine (GE2D)

### 5.28.1 Overview

A 32-bit 2D Graphics Engine (GE2D) is specially designed to improve the performance of graphic processing. It can accelerate the operation of individual GUI functions such as BitBLTs and Bresenham Line Draw to operate at all pixel depths including 8/16/32 bit-per-pixel.

A pixel is the smallest addressable screen element as defined in Microsoft Windows, and lines and pictures are made up by a variety of pixels. GE2D is used to speed up graphic performance in pixel data moving and line drawing, as well as to accelerate almost all computer graphic Boolean operations by eliminating the CPU overhead. Meanwhile, the functions of rotation and scaling down are implemented for some special applications. In image scaling down function, both programmable horizontal and vertical N/M scaling down factors are provided for resizing the image. For the 2D rotation, it can rotate left or right 45, 90 or 180 degrees, and also supports the flip/flop, mirror or up-side-down pictures.

### 5.28.2 Features

- Support 2D Bit Block Transfer (BitBLT) functions defined in Microsoft GDI
- Support Host BLT
- Support Pattern BLT
- Support Color/Font Expanding BLT
- Support Transparent BLT
- Support Tile BLT
- Support Block Move BLT
- Support Copy File BLT
- Support Color/Font Expansion
- Support Rectangle Fill
- Support RGB332/RGB565/RGB888 data format.
- Support fore/background colors and all Microsoft 256 ternary raster-operation codes (ROP)
- Support both inside and outside clipping function
- Support alpha-blending for source/destination picture overlaying
- Support fast Bresenham line drawing algorithm to draw solid/textured line
- Support rectangular border and frame drawing
- Support picture re-sizing
- Support down-scaling from 1/255 to 254/255
- Support up-scaling from 1 to 1.996 (1+254/255)
  - Support object rotation with different degree
  - Support L45 (45 degree left rotation) and L90 (90 degree left rotation)
- Support R45 (45 degree right rotation) and R90 (90 degree right rotation)

- Support M180 (mirror/flop)
- Support F180 (up-side-down (flip) and X180 (180 degree rotation)

## 5.29 JPEG Codec (JPEG)

### 5.29.1 Overview

The JPEG Codec supports Baseline Sequential Mode JPEG still image compression and decompression that is fully compliant with ISO/IEC International Standard 10918-1 (T.81). The features and capability of the JPEG codec are listed below.

### 5.29.2 Features

If image data input or output by planar format (PLANAR\_ON (JITCR[15])= 1), the features are as following:

- Support to encode interleaved YcbCr 4:2:2/4:2:0 and gray-level (Y only) format image
- Support to decode interleaved YcbCr 4:4:4/4:2:2/4:2:0/4:1:1 and gray-level (Y only) format image
- Support to decode YcbCr 4:2:2 transpose format
- The encoded JPEG bit-stream format is fully compatible with JFIF and EXIF standards
- Support arbitrary width and height image encode and decode (up to 8192x8192)
- Support three programmable quantization-tables
- Support standard default Huffman-table and programmable Huffman-table for decode
- Support arbitrarily 1X~8X image up-scaling function for encode mode
- Support down-scaling function for encode and decode modes(Thumbnail/Primary)
- Support specified window decode mode
- Support quantization-table adjustment for bit-rate and quality control in encode mode
- Support rotate function in encode mode

If image data input or output by packet format (PLANAR\_ON (JITCR[15])= 0), the feature are as following:

- Support to encode interleaved YUYV format input image, output bitstream 4:2:2 and 4:2:0 format
- Support to decode interleaved YcbCr 4:4:4/4:2:2/4:2:0 format image
- Support decoded output image YUYV422, RGB555, RGB565, RGB888 format (ORDER= 1).
- The encoded JPEG bit-stream format is fully compatible with JFIF and EXIF standards
- Support arbitrary width and height image encode and decode(Primary Only)
- Support three programmable quantization-tables
- Support standard default Huffman-table and programmable Huffman-table for decode
- Support arbitrarily 1X~8X image up-scaling function for encode mode
- Support down-scaling function 1X~ 16X for Y422 and Y420, 1X~ 8X for Y444 for decode mode
- Support specified window decode mode

- Support quantization-table adjustment for bit-rate and quality control in encode mode

## 5.30 LCD Display Interface Controller (LCM)

### 5.30.1 Overview

The main purpose of Display Controller is used to display the video/image data to LCD device or connect with external TV-encoder. The video/image data source may come from the image sensor, JPEG decoder and the OSD pattern which have been stored in system memory (SDRAM). The input data format of the display controller can be packet YUV422, packet YUV444, packet RGB444, packet RGB565, packet RGB666, and packet RGB888. The OSD (On Screen Display) function supports packet YUV422 and 8/16/24-bit direct-color mode. The LCD controller supports both sync-type and MPU-type LCDM. This LCD Controller is a bus master and can transfer display data from system memory (SDRAM) without CPU intervention.

### 5.30.2 Features

- Input data format
  - ◆ YUV422, YUV444
  - ◆ RGB444, RGB565, RGB666, RGB888
- Output format
  - ◆ YUV422, YUV444
  - ◆ RGB444, RGB565, RGB666, RGB888
- Input size: Maximum size 1024 \* 768
- Image resize
  - ◆ Horizontal up-scaling 1~8X in fractional steps
  - ◆ Vertical up-scaling 1~8X in fractional steps
- Convert full range YUV to CCIR601
- Windowing support for three OSD graphic or text overlay
- Support CCIR-656 (with header), CCIR-601(with hsync and vsync) 8/16-bit YUV data output format to connect with external TV encoder
- Support both sync-type and MPU-type LCM (with v-sync or not)
- Support the 8/9/16/18/24-bit data output to connect with 80/68 series MPU type LCM module

The LCD Controller includes the following main functions :

- Video post-processing
- Display & overlay control
- Video output control
- Hardware cursor control

## 5.31 Capture Sensor Interface Controller (CAP)

### 5.31.1 Overview

The Image Capture Interface is designed to capture image data from a sensor. After capturing or



fetching image data, it will process the image data, and then FIFO output them into frame buffer.

### 5.31.2 Feature

- 8-bit RGB565 sensor
- 8-bit YUV422 sensor
- Supports CCIR601 YcbCr color range scale to full YUV color range
- Supports 4 packaging format for packet data output: YUYV, Y only, RGB565, RGB555
- Supports YUV422 planar data output
- Supports the CROP function to crop input image to the required size for digital application.
- Supports the down scaling function to scale input image to the required size for digital application.
- Supports frame rate control
- Supports field detection and even/odd field skip mechanism
- Supports packet output dual buffer control through hardware buffer controller
- Supports negative/sepia/posterization color effect

## 5.32 Analog to Digital Converter (ADC)

### 5.32.1 Overview

The NUC9xx series contains one 12-bit Successive Approximation Register analog-to-digital converter (SAR A/D converter) with eight input channels. The A/D converter supports two operation modes: 4-wire or 5-wire mode. The ADC is especially suitable to act as touch screen controller. Battery voltage detection could be easily accomplished by the SAR ADC. It has keypad interrupt signal generator.

### 5.32.2 Features

- Resolution: 12-bit resolution.
- DNL: +/-1.5 LSB, INL: +/-3 LSB.
- Dual Data Rates: 800KSPS/160KSPS.
- Analog Input Range: VREF to AGND could be rail-to-rail.
- Analog Supply: 2.7-3.6V.
- Digital Supply: 1.2V.
- 8 Single-Ended Analog inputs.
- Compatible with 4-wire or 5-wire Touch Screen Interface.
- Touch Pressure Measurement for 4-wire touch screen application.
- Direct Battery Measurement.
- Keypad Interrupt Generator.
- Auto Power Down.
- Low Power Consumption: 4850uW(@1MSPS) / 2170uW(@200KSPS), < 1uA

## 6 ELECTRICAL CHARACTERISTICS

### 6.1 Absolute Maximum Ratings

| PARAMETER                     | SYMBOL                                    | MIN.              | MAX   | UNIT |
|-------------------------------|---|-------------------|-------|------|
| $V_{CORE\_VDD}-V_{CORE\_VSS}$ | Core DC Power Supply                      | -0.3              | +1.26 | V    |
| $V_{IO\_VDD}-V_{IO\_VSS}$     | I/O DC Power Supply                       | -0.3              | +3.63 | V    |
| $V_{DDR\_VDD}-V_{DDR\_VSS}$   | DDR I/O DC Power Supply                   | -0.3              | +1.90 | V    |
| $V_{IN}$                      | Input Voltage                             | $V_{IO\_VSS}-0.3$ | +3.6  | V    |
| $1/t_{CLCL}$                  | Oscillator Frequency                      | 4                 | 24    | MHz  |
| $T_A$                         | Operating Temperature                     | -40               | +85   | °C   |
| $T_{ST}$                      | Storage Temperature                       | -55               | +150  | °C   |
| $I_{DD}$                      | Maximum Current into CORE_VDD             | -                 | 200   | mA   |
| $I_{SS}$                      | Maximum Current out of CORE_VSS           | -                 | 200   | mA   |
| $I_{IO}$                      | Maximum Current sunk by a I/O pin         | -                 | 20    | mA   |
|                               | Maximum Current sourced by a I/O pin      | -                 | 30    | mA   |
|                               | Maximum Current sunk by total I/O pins    | -                 | 200   | mA   |
|                               | Maximum Current sourced by total I/O pins | -                 | 200   | mA   |

**Note:** Exposure to conditions beyond those listed under absolute maximum ratings may adversely affects the lift and reliability of the device.

### 6.2 ARM Microprocessor Power Performance

| CPU Core   | Architecture | Cache I/D (KB) | Performance (MIPS/MHz) | Power with cache (mW/MHz) | Frequency (MHz) | Process (um) | Temperature (°C) |
|------------|--------------|----------------|------------------------|---------------------------|-----------------|--------------|------------------|
| ARM926EJ-D | ARMv5TEJ     | 16/16          | 1.1                    | 0.4                       | 300             | 0.11         | 25               |

**Note:** Dynamic power 0.4mW/Mhz@ Dhrystone2.1, instruction cache enable and no miss, data cache enable and miss rate <5%

### 6.3 DC Electrical Characteristics

#### 6.3.1 NUC970 Series DC Electrical Characteristics

(VDD-VSS=3.3 V, TA = 25°C, FOSC = 12 MHz unless otherwise specified.)

| PARAMETER                                      | SYM.                                | SPECIFICATION |      |                  |      | TEST CONDITIONS  |
|--|-------------------------------------|---------------|------|------------------|------|--|
|  |                                     | MIN.          | TYP. | MAX.             | UNIT |  |
| Core Operation voltage                         | V <sub>CORE_VDD</sub>               | 1.14          | 1.2  | 1.26             | V    |  |
| I/O Operation Voltage                          | V <sub>IO_VDD</sub>                 | 2.97          | 3.3  | 3.63             | V    |  |
| DDR I/O Operation Voltage                      | V <sub>DDR_VDD</sub>                | 1.70          | 1.8  | 1.90             | V    |  |
| Power Ground                                   | V <sub>SS</sub><br>AV <sub>SS</sub> | -0.3          |      |                  | V    |  |
| Analog Operating Voltage                       | AV <sub>DD</sub>                    | 2.97          | 3.3  | 3.63             | V    |  |
| Analog Reference Voltage                       | V <sub>ref</sub>                    | 0             |      | AV <sub>DD</sub> | V    |  |
| Current Consumption of Normal Operating Mode 1 | I <sub>CORE_VDD1</sub>              |               | 185  |                  | mA   | Frequency of CPUCLK/DDR_CLK is 300/150 MHz.<br>The functionalities enabled are GE2D, LCD, JPEG, Cryptographic Engine, EMAC, USB0, USB1 and UART. |
|  | I <sub>DDR_VDD1</sub>               |               | 50   |                  | mA   |  |
|  | I <sub>USBPLL_VDD1</sub>            |               | 15   |                  | mA   |  |
|  | I <sub>USB0_VDD1</sub>              |               | 35   |                  | mA   |  |
|  | I <sub>USB1_VDD1</sub>              |               | 35   |                  | mA   |  |
|  | I <sub>RTC_VDD1</sub>               |               | 100  |                  | uA   |  |
| Current Consumption of Normal Operating Mode 2 | I <sub>CORE_VDD2</sub>              |               | 165  |                  | mA   | Frequency of CPUCLK/DDR_CLK is 264/132 MHz.<br>The functionalities enabled are GE2D, LCD, JPEG, Cryptographic Engine, EMAC, USB0, USB1 and UART. |
|  | I <sub>DDR_VDD2</sub>               |               | 45   |                  | mA   |  |
|  | I <sub>USBPLL_VDD2</sub>            |               | 15   |                  | mA   |  |
|  | I <sub>USB0_VDD2</sub>              |               | 35   |                  | mA   |  |
|  | I <sub>USB1_VDD2</sub>              |               | 35   |                  | mA   |  |
|  | I <sub>RTC_VDD2</sub>               |               | 100  |                  | uA   |  |
| Current Consumption of Deep Standby Mode       | I <sub>STDBY_CORE_VDD</sub>         |               | 3    |                  | mA   | V <sub>CORE_VDD</sub> = 1.2V   |
|  | I <sub>STDBY_DDR_VDD</sub>          |               | 6    |                  | mA   | V <sub>DDR_VDD</sub> = 1.8V  |
|  | I <sub>STDBY_IO_VDD</sub>           |               | 5    |                  | μA   | V <sub>IO_VDD</sub> = 3.3V   |
|  | I <sub>STDBY_USB0_VDD</sub>         |               | 0    |                  | μA   | V <sub>USB0_VDD</sub> = 3.3V   |
|  | I <sub>STDBY_USB1_VDD</sub>         |               | 0    |                  | μA   | V <sub>USB1_VDD</sub> = 3.3V   |
|  | I <sub>STDBY_UPLL0_VDD</sub>        |               | 5    |                  | μA   | V <sub>USBPLL0_VDD</sub> = 1.2V  |

| PARAMETER  | SYM.                         | SPECIFICATION |      |      |      | TEST CONDITIONS  |
|--|------------------------------|---------------|------|------|------|--|
|  |                              | MIN.          | TYP. | MAX. | UNIT |  |
|  | I <sub>STDBY_UPLL1_VDD</sub> |               | 5    |      | μA   | V <sub>USBPLL1_VDD</sub> = 1.2V                            |
|  | I <sub>STDBY_AVDD</sub>      |               | 25   |      | μA   | V <sub>AVDD</sub> = 3.3V                                   |
|  | I <sub>STDBY_RTC_VDD</sub>   |               | 100  |      | μA   | V <sub>RTC_VDD</sub> = 3.3V                                |
| Current Consumption of Power Down Mode   | I <sub>PWD_RTC_VDD</sub>     |               | 10   |      | uA   | V <sub>RTC_VDD</sub> = 3.3V                                |
| Input Leakage Current<br>PA, PB, PC, PD, PE, PF, PG, PH, PI, PJ                            | I <sub>LK1</sub>             | -10           | -    | 10   | μA   | V <sub>IO_VDD</sub> = 3.63V<br>0V < V <sub>IN</sub> < 3.6V |
| Input Leakage Current with Pull-Down Resistor on<br>PA, PB, PC, PD, PE, PF, PG, PH, PI, PJ | I <sub>LK2</sub>             | 40            | -    | 160  | μA   | V <sub>IN</sub> = V <sub>IO_VDD</sub>                      |
| Input Leakage Current with Pull-Up Resistor on<br>PA, PB, PC, PD, PE, PF, PG, PH, PI, PJ   | I <sub>LK3</sub>             | -160          | -    | 40   | μA   | V <sub>IN</sub> = 0  |
| Input Low Voltage<br>PA, PB, PC, PD, PE, PF, PG, PH, PI, PJ (TTL input)                    | V <sub>IL1</sub>             | -             | -    | 0.8  | V    |  |
| Input High Voltage<br>PA, PB, PC, PD, PE, PF, PG, PH, PI, PJ (TTL input)                   | V <sub>IH1</sub>             | 2.0           | -    | -    | V    |  |
| Input Low Voltage<br>PA, PB, PC, PD, PE, PF, PG, PH, PI, PJ (Schmitt input)                | V <sub>IL2</sub>             | 0.9           | 1.05 | 1.2  | V    |  |
| Input High Voltage<br>PA, PB, PC, PD, PE, PF, PG, PH, PI, PJ (Schmitt input)               | V <sub>IH2</sub>             | 1.65          | 1.9  | 2.1  | V    |  |
| Hysteresis voltage<br>PA, PB, PC, PD, PE, PF, PG, PH, PI, PJ (Schmitt input)               | V <sub>HY</sub>              | 0.75          | 0.85 | 0.9  | V    |  |
| Negative going threshold (Schmitt input), nRESET   | V <sub>ILS</sub>             | 0.75          | -    | 0.9  | V    |  |
| Positive going threshold (Schmitt input), nRESET   | V <sub>IHS</sub>             | 1.65          | -    | 2.1  | V    |  |
| Source Current<br>PA, PB, PC, PD, PE, PF, PG, PH, PI, PJ (Push-pull Mode)                  | I <sub>SR21</sub>            | 8             | -    | 28   | mA   |  |
| Sink Current<br>PA, PB, PC, PD, PE, PF, PG, PH, PI, PJ (Push-pull Mode)                    | I <sub>SK1</sub>             | 8             | -    | 18   | mA   |  |

| PARAMETER  | SYM.             | SPECIFICATION |      |      |      | TEST CONDITIONS                       |
|--|------------------|---------------|------|------|------|---------------------------------------|
|  |                  | MIN.          | TYP. | MAX. | UNIT |                                       |
| Input Pull-up Resistance<br>PA, PB, PC, PD, PE, PF, PG,<br>PH, PI, PJ, USB0_ID,<br>SYS_nWAKEUP | R <sub>PU</sub>  | 45            | 53   | 82   | kΩ   | V <sub>IN</sub> = 0                   |
| Input Pull-down Resistance<br>PA, PB, PC, PD, PE, PF, PG,<br>PH, PI, PJ                        | R <sub>PD</sub>  | 37            | 49   | 91   | kΩ   | V <sub>IN</sub> = V <sub>IO_VDD</sub> |
| Input Pull-up Resistance<br>nRESET   | R <sub>RST</sub> | 45            | 53   | 85   | kΩ   |                                       |

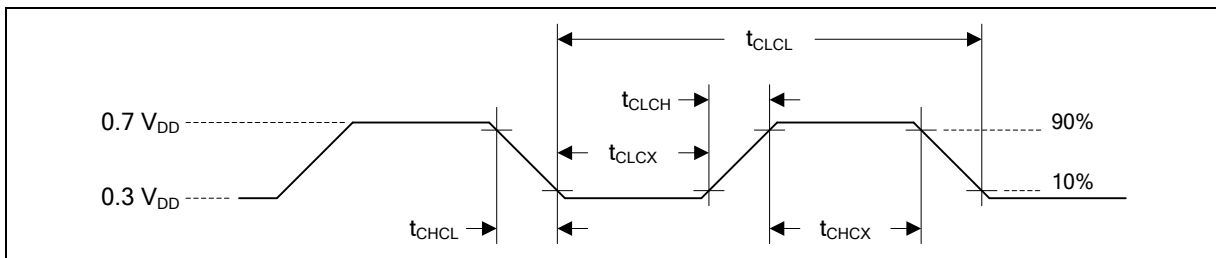
**Note:**

1. nRESET pin is a Schmitt trigger input.
2. Pins of PA, PB, PC, PD, PE, PF, PG, PH, PI and PJ can source a transition current when they are being externally driven from 1 to 0. In the condition of V<sub>DD</sub>=3.63 V, the transition current reaches its maximum value when V<sub>IN</sub> approximates to 1.5V.

## 6.4 AC Electrical Characteristics

### 6.4.1 External 4~24 MHz High Speed Oscillator

| Symbol     | Parameter       | Min | Typ | Max | Unit | Test Condition |
|------------|-----------------|-----|-----|-----|------|----------------|
| $t_{CHCX}$ | Clock High Time | 20  | -   | -   | ns   | -              |
| $t_{CLCX}$ | Clock Low Time  | 20  | -   | -   | ns   | -              |
| $t_{CLCH}$ | Clock Rise Time | -   | -   | 10  | ns   | -              |
| $t_{CHCL}$ | Clock Fall Time | -   | -   | 10  | ns   | -              |



**Note:** Duty cycle is 50%.

Figure 66.4-1 External 4~24 MHz High Speed Oscillator Timing Diagram

6.4.2 External 4~24 MHz High Speed Crystal

| Symbol    | Parameter         | Min. | Typ. | Max  | Unit | Test Conditions |
|-----------|-------------------|------|------|------|------|-----------------|
| $V_{HXT}$ | Operation Voltage | 2.97 | 3.3  | 3.63 | V    | -               |
| $T_A$     | Temperature       | -40  | -    | 85   | °C   | -               |
| $f_{HXT}$ | Clock Frequency   | 4    | -    | 24   | MHz  | -               |

6.4.2.1 Typical Crystal Application Circuits

| Crystal         | ESR (ohm) | C1, C2 |
|-----------------|-----------|--------|
| 4M ~ 8M         | < 100     | 20 pf  |
| 8M ~ 18M        | < 50      | 14 pf  |
| 18 MHz ~ 24 MHz | < 30      | 8 pf   |

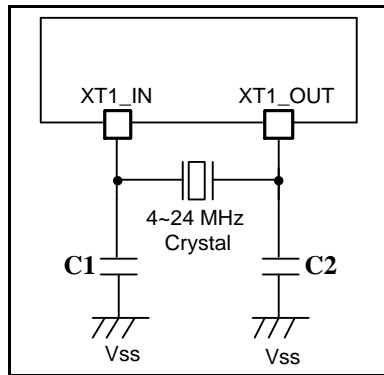


Figure 6.4-2 Typical HXT Crystal Application Circuit

6.4.3 External 32.768 kHz Low Speed Crystal

| Symbol    | Parameter         | Min. | Typ.   | Max  | Unit | Test Conditions |
|-----------|-------------------|------|--------|------|------|-----------------|
| $V_{LXT}$ | Operation Voltage | 2.97 | 3.3    | 3.63 | V    | -               |
| $T_A$     | Temperature       | -40  | -      | 85   | °C   | -               |
| $f_{LXT}$ | Clock Frequency   | -    | 32.768 | -    | kHz  | -               |

6.4.3.1 Typical Crystal Application Circuits

| Crystal    | C1   | C2   |
|------------|------|------|
| 32.768 kHz | 20pf | 20pf |

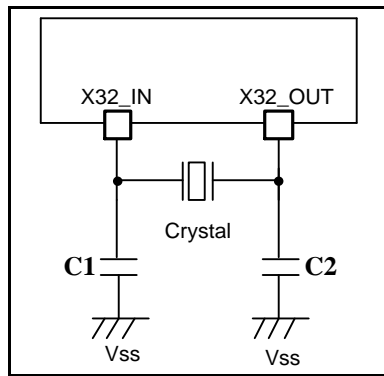


Figure 6.4-3 Typical LXT Crystal Application Circuit



6.4.4 EBI Timing

| Symbol            | Parameter   | Min | Typ | Max | Unit       | Test Condition |
|-------------------|---|-----|-----|-----|------------|----------------|
| $T_{IACS}$        | Address Setup Time to EBI_nCS Falling Edge            | 0   | -   | 7   | $T_{HCLK}$ | -              |
| $T_{ICOS}$        | EBI_nCS Setup Time to EBI_nWE or EBI_nOE Falling Edge | 0   | -   | 7   | $T_{HCLK}$ | -              |
| $T_{IACC}$        | EBI_nWE or EBI_nOE Active Low Time                    | 1   | -   | 23  | $T_{HCLK}$ | -              |
| $T_{ICOH}$        | EBI_nCS Hold Time from EBI_nWE or EBI_nOE Rising Edge | 0   | -   | 7   | $T_{HCLK}$ | -              |
| $T_{SU\_EBI\_RD}$ | EBI_DATA Read Setup Time to EBI_nOE Rising Edge       | 1   | -   | -   | $T_{HCLK}$ | -              |

**Note:**  $T_{HCLK}$  is the period of EBI's operating clock.

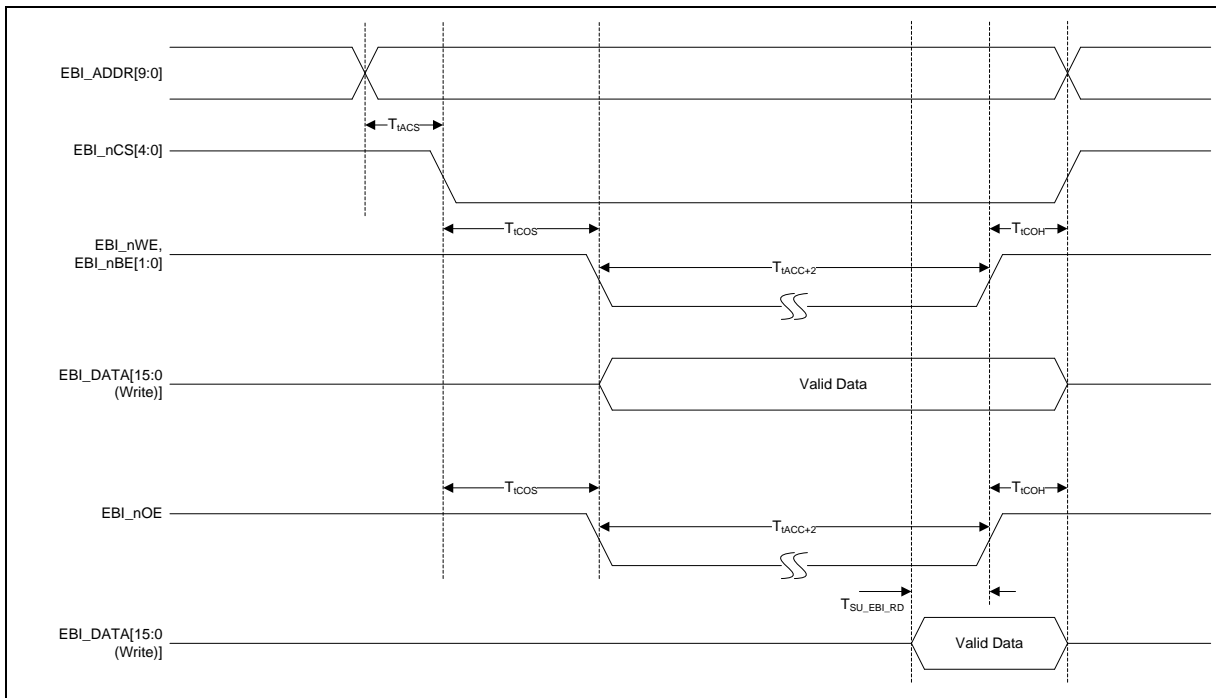


Figure 6.4-4 External Bus Interface Timing Diagram

6.4.5 I<sup>2</sup>C Interface Timing

| Symbol              | Parameter                           | 100K |      | 400K     |     | Unit | Test Condition |
|---------------------|-------------------------------------|------|------|----------|-----|------|----------------|
|                     |                                     | Min  | Max  | Min      | Max |      |                |
| T <sub>LOW</sub>    | I2C_SCL Low Period                  | 4.7  | -    | 1.2      | -   | us   | -              |
| T <sub>HIGH</sub>   | I2C_SCL High Period                 | 4    | -    | 0.6      | -   | us   | -              |
| T <sub>SU_STA</sub> | Repeated START Condition Setup Time | 4.7  | -    | 1.2      | -   | us   | -              |
| T <sub>HD_STA</sub> | START Condition Hold Time           | 4    | -    | 0.6      | -   | us   | -              |
| T <sub>SU_STO</sub> | STOP Condition Setup Time           | 4    | -    | 0.6      | -   | us   | -              |
| T <sub>BUF</sub>    | Bus Free Time                       | 4.7  | -    | 1.2      | -   | us   | -              |
| T <sub>SU_DAT</sub> | Data Setup Time                     | 2    | -    | 0.3      | -   | us   | -              |
| T <sub>HD_DAT</sub> | Data Hold Time                      | 0    | 4.2  | 0        | 0.8 | us   | -              |
| T <sub>R</sub>      | I2C_SCL/I2C_SDA Rise Time           | -    | 1000 | 20+0.1Cb | 300 | ns   | -              |
| T <sub>F</sub>      | I2C_SCL/I2C_SDA Fall Time           | -    | 300  | -        | 300 | ns   | -              |
| C <sub>b</sub>      | Capacitive Load for Each Bus Line   | -    | 400  | -        | 400 | pF   | -              |

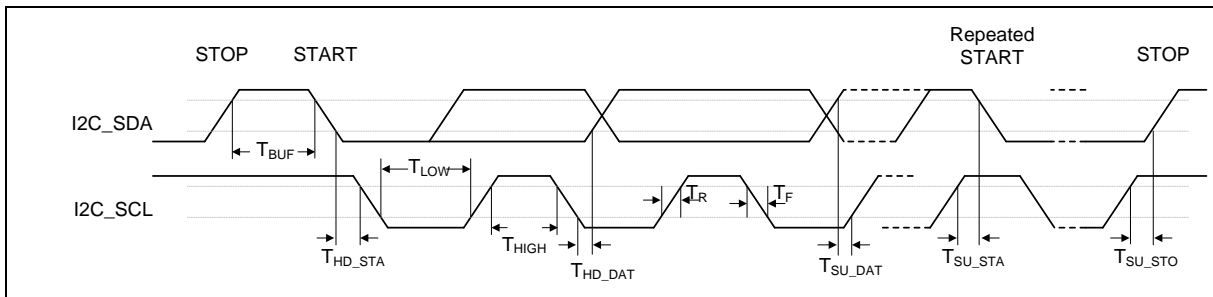


Figure 6.4-5 I<sup>2</sup>C Interface Timing Diagram

### 6.4.6 SPI Interface Timing

| Symbol             | Parameter  | Min    | Typ | Max | Unit | Test Condition |
|--------------------|--|--------|-----|-----|------|----------------|
| $T_{P\_SPI\_CLK}$  | SPI_CLK Period   | 53.33  | -   | -   | ns   | -              |
| $T_{H\_SPI\_CLK}$  | SPI_CLK High Time  | 26.665 | -   | -   | ns   | -              |
| $T_{L\_SPI\_CLK}$  | SPI_CLK Low Time   | 26.665 | -   | -   | ns   | -              |
| $T_{SU\_SPI\_DI}$  | SPI_DI or SPI_DATA[3:0] Setup Time to SPI_CLK Active Edge  | 11     | -   | -   | ns   | -              |
| $T_{HD\_SPI\_DI}$  | SPI_DI or SPI_DATA[3:0] Hold Time from SPI_CLK Active Edge | 1      | -   | -   | ns   | -              |
| $T_{DLY\_SPI\_DO}$ | SPI_CLK Active Edge to Valid SPI_DO or SPI_DATA[3:0] Delay | -      | -   | 4   | ns   | -              |
| $T_{HD\_SPI\_DO}$  | SPI_DO or SPI_DATA[3:0] Hold Time from SPI_CLK Active Edge | 0.2    | -   | -   | ns   | -              |

Note. SPI CLK maximum is 18.75MHz; (APB 75MHz/4) = 18.75MHz

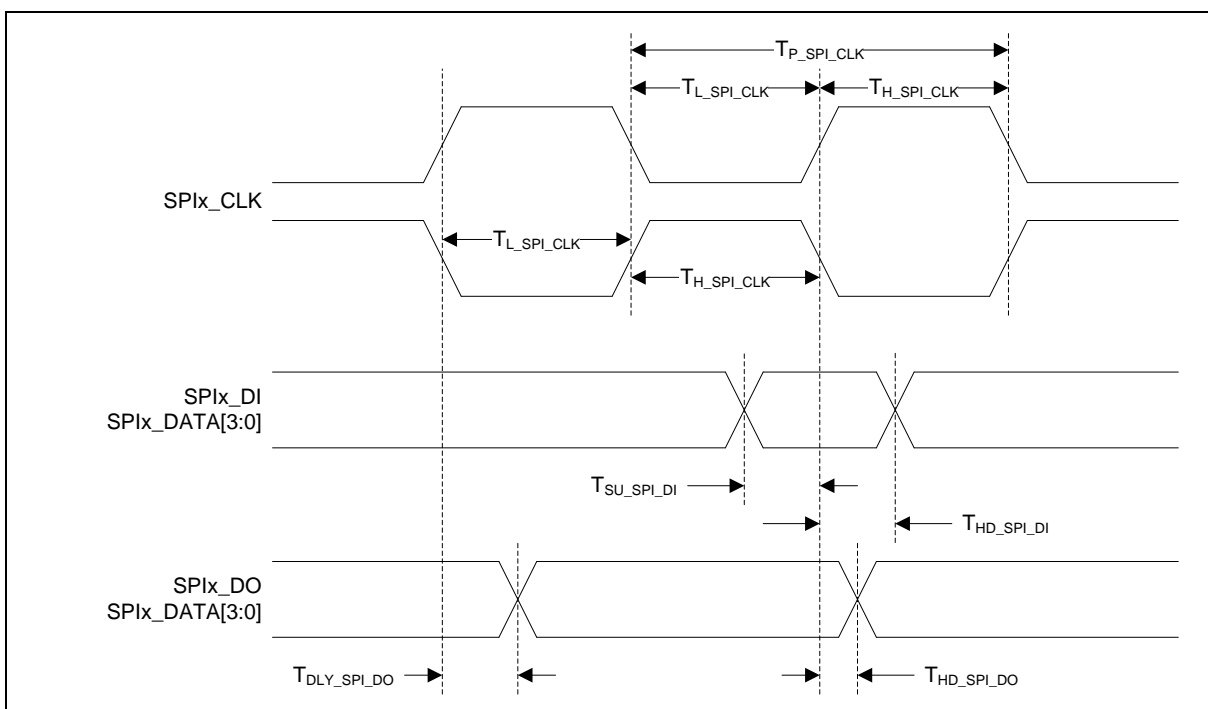


Figure 6.4-6 SPI Interface Timing Diagram

6.4.7 I<sup>2</sup>S Interface Timing

| Symbol               | Parameter  | Min | Typ | Max | Unit | Test Condition |
|----------------------|--|-----|-----|-----|------|----------------|
| $T_{P\_I2S\_BITCLK}$ | I2S_BITCLK Period                                    | 50  | -   | -   | ns   | -              |
| $T_{H\_I2S\_BITCLK}$ | I2S_BITCLK High Time                                 | 25  | -   | -   | ns   | -              |
| $T_{L\_I2S\_BITCLK}$ | I2S_BITCLK Low Time                                  | 25  | -   | -   | ns   | -              |
| $T_{DLY\_I2S\_DO}$   | I2S_BITCLK Rising to Valid I2S_WS or I2S_DATAO Delay | -   | -   | 6   | ns   | -              |
| $T_{HD\_I2S\_DO}$    | I2S_WS or I2S_DATAO Hold Time from I2S_BITCLK Rising | 1   | -   | -   | ns   | -              |
| $T_{SU\_I2S\_DI}$    | I2S_DATAI Setup Time to I2S_BITCLK Rising            | 5   | -   | -   | ns   | -              |
| $T_{HD\_I2S\_DI}$    | I2S_DATAI Hold Time from I2S_BITCLK Rising           | 3   | -   | -   | ns   | -              |

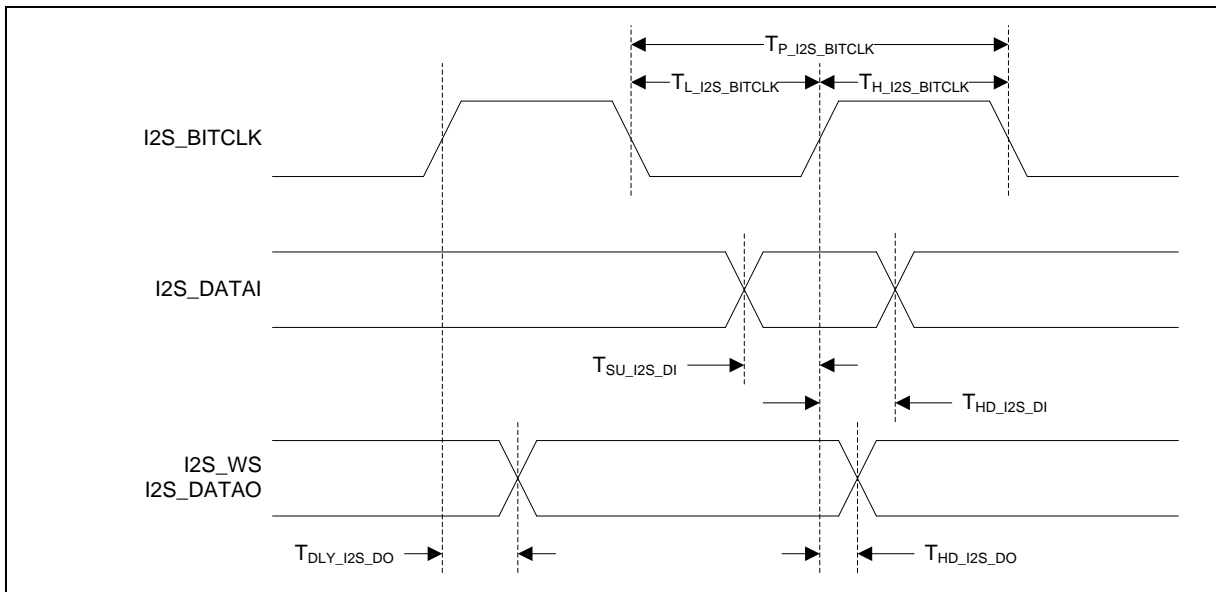


Figure 6.4-7 I<sup>2</sup>S Interface Timing Diagram

### 6.4.8 Ethernet Interface Timing

#### 6.4.8.1 RMI Interface Timing

| Symbol                | Parameter   | Min | Typ             | Max  | Unit | Test Condition |
|-----------------------|---|-----|-----------------|------|------|----------------|
| $T_{P\_RMII\_REFCLK}$ | RMII_REFCLK Period  | -   | 20.0 +/- 50 ppm | -    | ns   | -              |
| $T_{H\_RMII\_REFCLK}$ | RMII_REFCLK High Time   | 8.0 | 10.0            | 12.0 | ns   | -              |
| $T_{L\_RMII\_REFCLK}$ | RMII_REFCLK Low Time  | 8.0 | 10.0            | 12.0 | ns   | -              |
| $T_{DLY\_RMII\_TX}$   | RMII_REFCLK Rising to Valid RMII_TXEN, RMII_TXDATA0 and RMII_TXDATA1 Delay  | -   | -               | 10   | ns   | -              |
| $T_{SU\_RMII\_RX}$    | RMII_CRSDV, RMII_RXDATA0 and RMII_RXDATA1 Setup Time to RMII_REFCLK Rising  | 5   | -               | -    | ns   | -              |
| $T_{HD\_RMII\_RX}$    | RMII_CRSDV, RMII_RXDATA0 and RMII_RXDATA1 Hold Time from RMII_REFCLK Rising | 2   | -               | -    | ns   | -              |

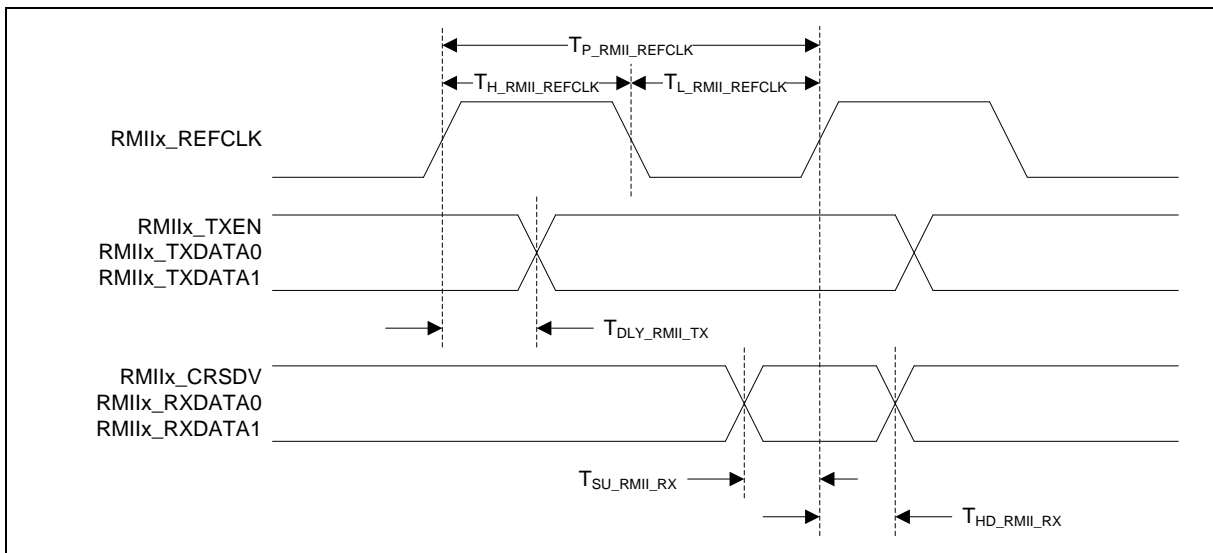


Figure 6.4-8 RMI Interface Timing Diagram

6.4.8.2 Ethernet PHY Management Interface Timing

| Symbol                  | Parameter                                 | Min | Typ | Max | Unit | Test Condition |
|-------------------------|---|-----|-----|-----|------|----------------|
| $T_{P\_RMII\_MDC}$      | RMII_MDC Period                           | 400 | -   | -   | ns   | -              |
| $T_{H\_RMII\_MDC}$      | RMII_MDC High Time                        | 200 | -   | -   | ns   | -              |
| $T_{L\_RMII\_MDC}$      | RMII_MDC Low Time                         | 200 | -   | -   | ns   | -              |
| $T_{DLY\_RMII\_MDIOWR}$ | RMII_MDC Falling to Valid RMII_MDIO Delay | -   | -   | 10  | ns   | -              |
| $T_{SU\_RMII\_MDIORD}$  | RMII_MDIO Setup Time to RMII_MDC Rising   | 10  | -   | -   | ns   | -              |
| $T_{HD\_RMII\_MDIORD}$  | RMII_MDIO Hold Time from RMII_MDC Rising  | 10  | -   | -   | ns   | -              |

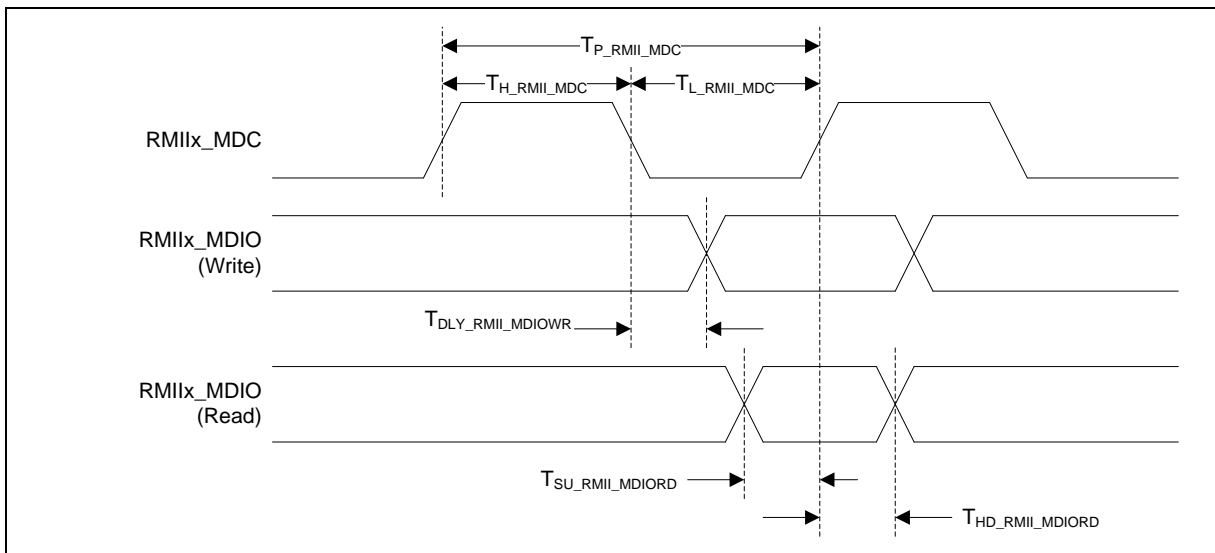


Figure 6.4-9 Ethernet PHY Management Interface Timing Diagram

### 6.4.9 NAND Interface Timing

| Symbol               | Parameter                                 | Min              | Typ             | Max | Unit | Test Condition |
|----------------------|---|------------------|-----------------|-----|------|----------------|
| $T_{H\_NAND\_nWE}$   | NAND_nWE High Time                        | -                | 15 <sup>1</sup> | -   | ns   | -              |
| $T_{L\_NAND\_nWE}$   | NAND_nWE Low Time                         | -                | 45 <sup>2</sup> | -   | ns   | -              |
| $T_{DLY\_DATA\_OUT}$ | NAND_nWE Falling to Valid NAND_DATA Delay | -                | 15 <sup>3</sup> | -   | ns   | -              |
| $T_{HD\_DATA\_OUT}$  | NAND_DATA Hold Time from NAND_nWE Rising  | 7.5 <sup>3</sup> | -               | -   | Ns   | -              |
| $T_{SU\_DATA\_IN}$   | NAND_DATA Setup Time to NAND_nRE Rising   | 15 <sup>3</sup>  | -               | -   | ns   | -              |
| $T_{HD\_DATA\_IN}$   | NAND_DATA Hold Time from NAND_nRE Rising  | 7.5 <sup>3</sup> | -               | -   | ns   | -              |

**Note 1:** NAND controller operating clock is 132 MHz and HI\_WID (FMI\_NANDTMCTL[15:8]) is 0x1.

**Note 2:** NAND controller operating clock is 132 MHz and LO\_WID (FMI\_NANDTMCTL[7:0]) is 0x5.

**Note 2:** NAND controller operating clock is 132 MHz

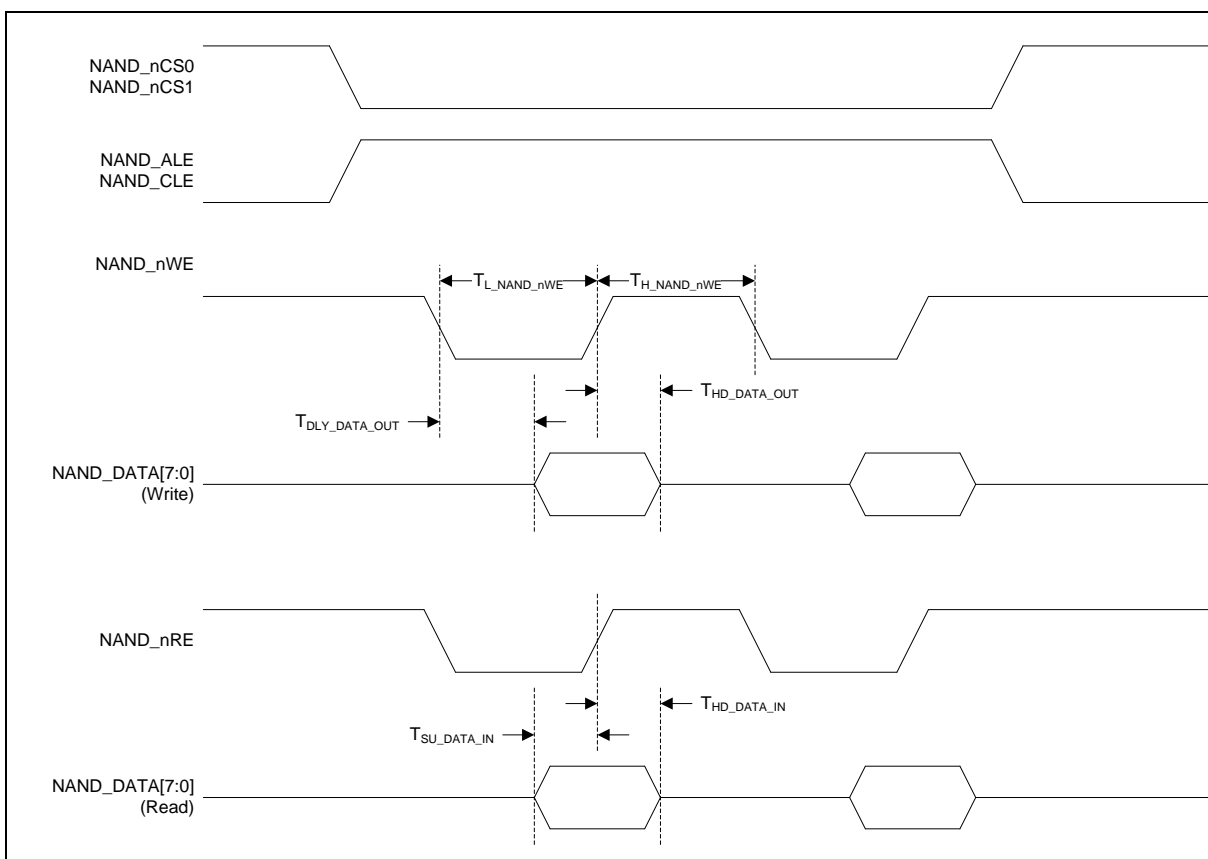


Figure 6.4-10 NAND Interface Timing Diagram

6.4.10 SD Interface Timing

6.4.10.1 Default Mode Timing

| Symbol               | Parameter                                | Min   | Typ | Max | Unit | Test Condition |
|----------------------|--|-------|-----|-----|------|----------------|
| $T_{P\_SD\_CLK}$     | SD_CLK Period<br>(Data Transfer Mode)    | 40    | -   | -   | ns   | -              |
| $T_{P\_SD\_CLK\_ID}$ | SD_CLK Period<br>(Identification Mode)   | 2,500 | -   | -   | ns   | -              |
| $T_{H\_SD\_CLK}$     | SD_CLK High Time                         | -     | 20  | -   | ns   | -              |
| $T_{L\_SD\_CLK}$     | SD_CLK Low Time                          | -     | 20  | -   | ns   | -              |
| $T_{SU\_SD\_IN}$     | SD_DATA Setup Time to<br>SD_CLK Rising   | 5     | -   | -   | ns   | -              |
| $T_{HD\_SD\_IN}$     | SD_DATA Hold Time from<br>SD_CLK Rising  | 5     | -   | -   | ns   | -              |
| $T_{DLY\_SD\_OUT}$   | SD_CLK Falling to<br>Valid SD_DATA Delay | -     | -   | 14  | ns   | -              |

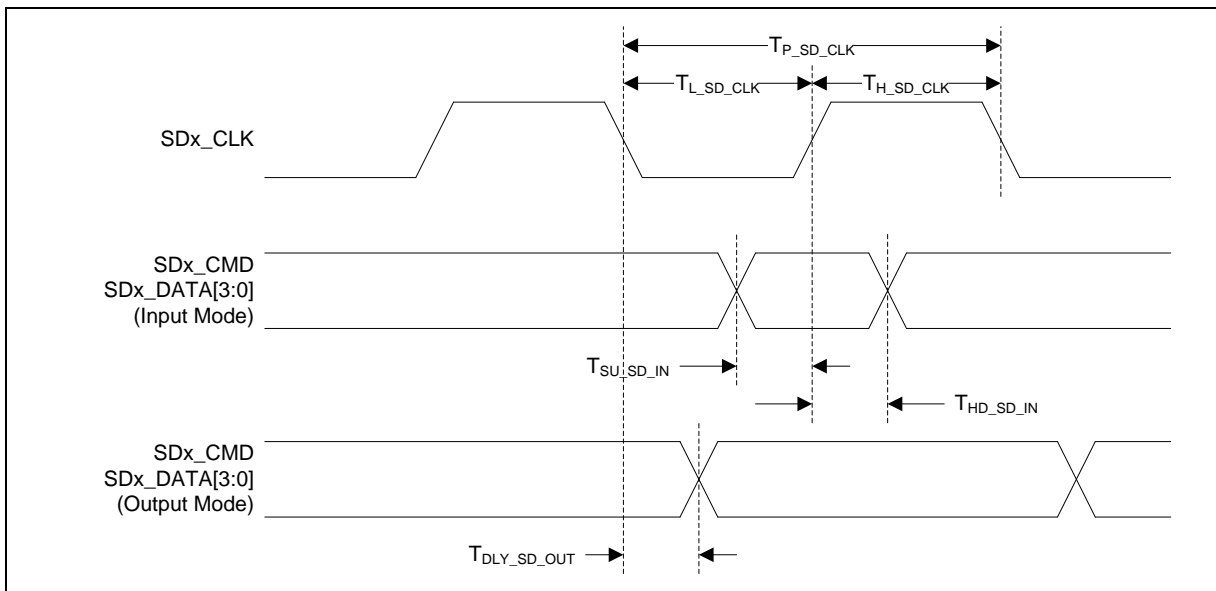


Figure 6.4-11 SD Interface Default Mode Timing Diagram



6.4.10.2 High-Speed Mode Timing

| Symbol             | Parameter                             | Min | Typ | Max | Unit | Test Condition |
|--------------------|---------------------------------------|-----|-----|-----|------|----------------|
| $T_{P\_SD\_CLK}$   | SD_CLK Period                         | 20  | -   | -   | ns   | -              |
| $T_{H\_SD\_CLK}$   | SD_CLK High Time                      | 7   | -   | -   | ns   | -              |
| $T_{L\_SD\_CLK}$   | SD_CLK Low Time                       | 7   | -   | -   | ns   | -              |
| $T_{SU\_SD\_IN}$   | SD_DATA Setup Time to SD_CLK Rising   | 6   | -   | -   | ns   | -              |
| $T_{HD\_SD\_IN}$   | SD_DATA Hold Time from SD_CLK Rising  | 2   | -   | -   | ns   | -              |
| $T_{DLY\_SD\_OUT}$ | SD_CLK Falling to Valid SD_DATA Delay | -   | -   | 14  | ns   | -              |
| $T_{HD\_SD\_OUT}$  | SD_DATA Hold Time from SD_CLK Rising  | 2.5 | -   | -   | ns   | -              |

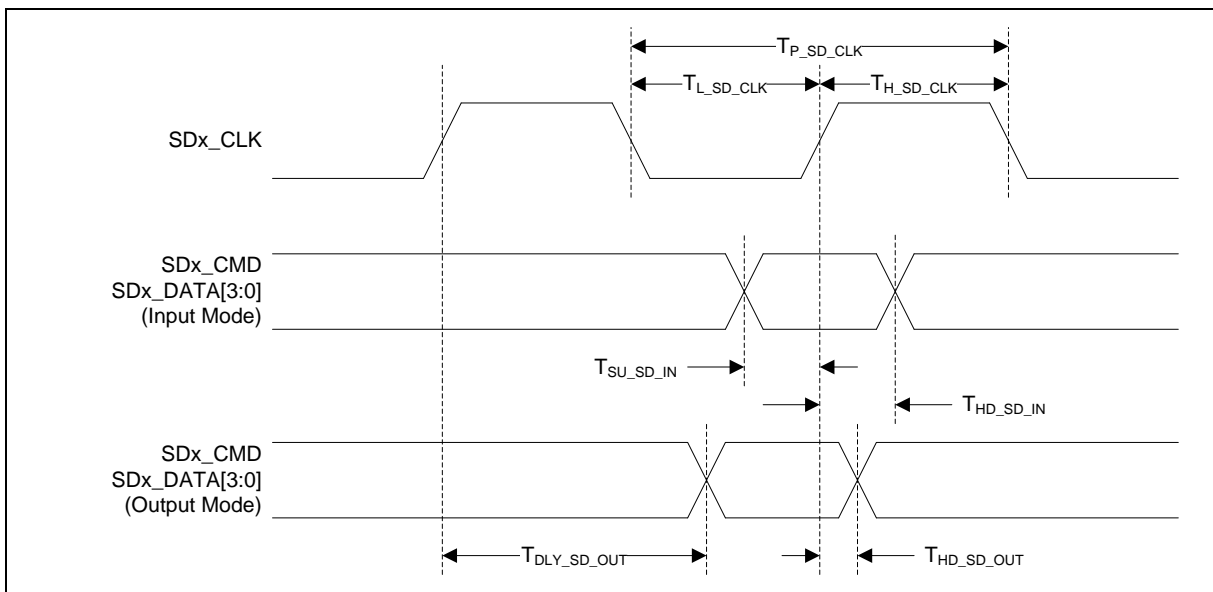


Figure 6.4-12 SD Interface High-Speed Mode Timing Diagram

### 6.4.11 LCD Display Interface Timing

#### 6.4.11.1 SYNC Type Timing

| Symbol              | Parameter  | Min | Typ | Max | Unit | Test Condition |
|---------------------|--|-----|-----|-----|------|----------------|
| $T_{P\_LCD\_CLK}$   | LCD_CLK Period   | 13  | -   | -   | ns   | -              |
| $T_{H\_LCD\_CLK}$   | LCD_CLK High Time  | 6.5 | -   | -   | ns   | -              |
| $T_{L\_LCD\_CLK}$   | LCD_CLK Low Time   | 6.5 | -   | -   | ns   | -              |
| $T_{DLY\_LCD\_OUT}$ | LCD_CLK Rising to Valid LCD_HSYNC, LCD_VSYNC, LCD_DEN and LCD_DATA Delay | -   | -   | 6   | ns   | -              |
| $T_{HD\_LCD\_OUT}$  | LCD_HSYNC, LCD_VSYNC, LCD_DEN and LCD_DATA Hold Time from LCD_CLK Rising | 1   | -   | -   | ns   | -              |

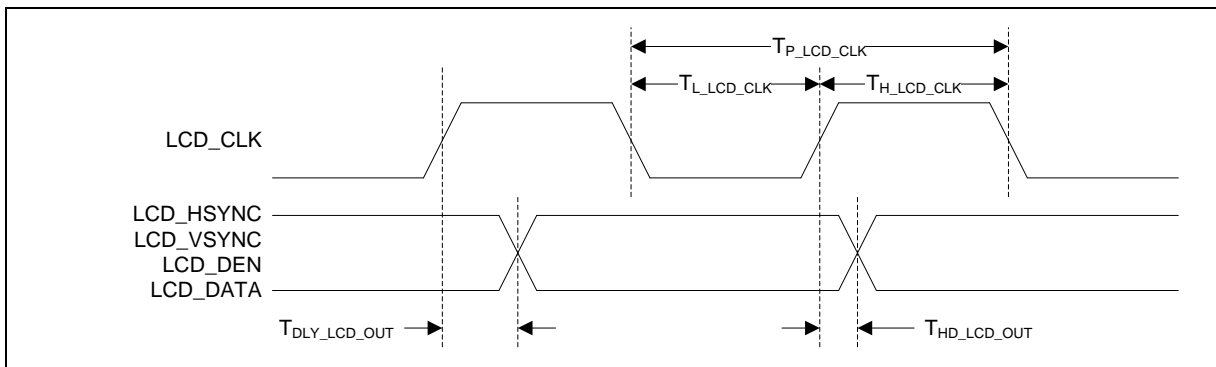


Figure 6.4-13 LCD Display Interface SYNC Type Timing Diagram

6.4.12 Capture Sensor Interface Timing

| Symbol              | Parameter  | Min | Typ  | Max | Unit | Test Condition |
|---------------------|--|-----|------|-----|------|----------------|
| $T_{P\_VCAP\_PCLK}$ | VCAP_PCLK Period   | 20  | -    | -   | ns   | -              |
| $T_{H\_VCAP\_PCLK}$ | VCAP_PCLK High Time  | -   | 10.0 | -   | ns   | -              |
| $T_{L\_VCAP\_PCLK}$ | VCAP_PCLK Low Time   | -   | 10.0 | -   | ns   | -              |
| $T_{SU\_VCAP\_IN}$  | VCAP_HSYNC, VCAP_VSYNC, VCAP_FIELD and VCAP_DATA Setup Time to VCAP_PCLK Rising  | 4   | -    | -   | ns   | -              |
| $T_{HD\_VCAP\_IN}$  | VCAP_HSYNC, VCAP_VSYNC, VCAP_FIELD and VCAP_DATA Hold Time from VCAP_PCLK Rising | 1   | -    | -   | ns   | -              |

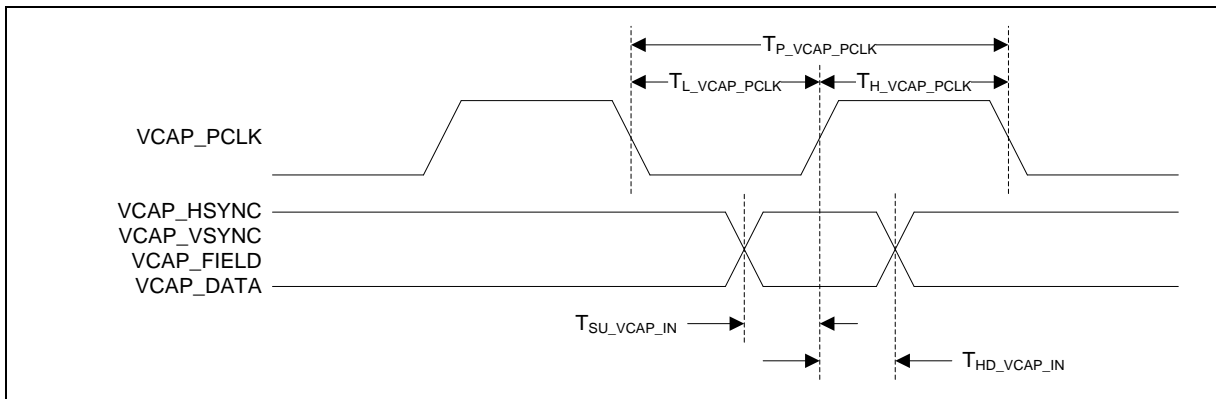


Figure 6.4-14 Capture Sensor Interface Timing Diagram

## 6.5 Analog Characteristics

### 6.5.1 12-bit SARADC

| Symbol            | Parameter                       | Min.       | Typ. | Max.               | Unit  | Test Conditions                        |
|-------------------|---------------------------------|------------|------|--------------------|-------|--|
| -                 | Resolution                      | -          | 12   | -                  | Bit   |  |
| DNL               | Differential Nonlinearity Error | -          | ±1   | -                  | LSB   | V <sub>REF</sub> is external AVREF pin |
| INL               | Integral Nonlinearity Error     | -          | -1.2 | -                  | LSB   | V <sub>REF</sub> is external AVREF pin |
| E <sub>O</sub>    | Offset Error                    | -          | +3.7 | -                  | LSB   | V <sub>REF</sub> is external AVREF pin |
| E <sub>G</sub>    | Gain Error (Transfer Gain)      | -          | -6.6 | -                  | LSB   | V <sub>REF</sub> is external AVREF pin |
| E <sub>A</sub>    | Absolute Error                  | -          | 4.2  | -                  | LSB   | V <sub>REF</sub> is external AVREF pin |
| -                 | Monotonic                       | Guaranteed |      |                    |       |  |
| F <sub>ADC</sub>  | ADC Clock Frequency             | -          | -    | 16                 | MHz   |  |
| T <sub>CAL</sub>  | Calibration Time                | -          | 3    | -                  | Clock |  |
| T <sub>S</sub>    | Sample Time                     | -          | 17   | -                  | Clock |  |
| T <sub>ADC</sub>  | Conversion Time                 | -          | 20   |                    | Clock |  |
| F <sub>S</sub>    | Sample Rate                     | -          | -    | 800 <sup>(1)</sup> | k SPS |  |
| V <sub>AVDD</sub> | Supply Voltage                  | 2.7        | 3.3  | 3.6                | V     |  |
| I <sub>DDA1</sub> | Supply Current (Avg.)           | -          | 1.2  |                    | mA    | ADC channel 1 high speed mode          |
| I <sub>DDA2</sub> | Supply Current (Avg.)           | -          | 1.0  |                    | mA    | ADC channel 1 low speed mode           |
| I <sub>DDA3</sub> | Supply Current (Avg.)           | -          | 0.4  |                    | mA    |  |
| I <sub>LK</sub>   | Leakage Current                 | -          | 0.1  | -                  | uA    |  |
| V <sub>REF</sub>  | Reference Voltage               | 2          | -    | V <sub>AVDD</sub>  | V     |  |
| V <sub>IN</sub>   | Analog Input Voltage            | 0          | -    | V <sub>REF</sub>   | V     |  |
| R <sub>IN</sub>   | Analog Input Impedance          | -          | -    | 2                  | MΩ    |  |
| C <sub>IN</sub>   | Capacitance                     | -          | 25.6 |                    | pF    |  |

**Note:**

1. ADC channel 1 supports sample rate higher than 160k SPS. Other ADC channels support sample rate up to 160k SPS.

6.5.2 Low Voltage Detection (LVD) and Low Voltage Reset (LVR)

| Symbol              | Parameter             | Min.  | Typ. | Max   | Unit | Test Conditions   |
|---------------------|-----------------------|-------|------|-------|------|---|
| V <sub>DD</sub>     | Operation Voltage     | 2.0   | 3.3  | 3.63  | V    | -   |
| I <sub>DD</sub>     | Operating Current     |       | 21   |       | uA   | -   |
| I <sub>LK</sub>     | Quiescent Current     | -     | 0.1  | 0.5   | uA   | LVR_EN (SYS_LVRDCR[0]) = 0,<br>LVD_EN (SYS_LVRDCR[8]) = 0 |
| T <sub>A</sub>      | Temperature           | -40   | -    | 85    | °C   | -   |
| V <sub>TH_LVD</sub> | LVD Threshold Voltage | 2.295 | 2.55 | 2.805 | V    | LVD_SEL (SYS_LVRDCR[9]) = 0                               |
|                     |                       | 2.475 | 2.75 | 3.025 | V    | LVD_SEL (SYS_LVRDCR[9]) = 1                               |
| V <sub>TH_LVR</sub> | LVR Threshold Voltage | 2.115 | 2.35 | 2.585 | V    | -   |
| V <sub>HY_LVD</sub> | LVD Hysteresis        | 0.045 | 0.05 | 0.055 | V    | LVD_SEL (SYS_LVRDCR[9]) = 0                               |
|                     |                       | 0.045 | 0.05 | 0.055 | V    | LVD_SEL (SYS_LVRDCR[9]) = 1                               |
| V <sub>HY_LVR</sub> | LVR Hysteresis        | 0.045 | 0.05 | 0.055 | V    | -   |

6.5.3 3.3V Power-On Reset (POR33)

| Symbol             | Parameter         | Min | Typ  | Max | Unit | Test Condition                  |
|--------------------|-------------------|-----|------|-----|------|---------------------------------|
| T <sub>A</sub>     | Temperature       | -40 | 25   | 125 | °C   | -                               |
| V <sub>POR</sub>   | Reset Voltage     | -   | 1.83 | -   | V    | AVDD rising from 0V to 3.3V     |
| I <sub>POR33</sub> | Quiescent current | -   | 5    | -   | nA   | V <sub>in</sub> > reset voltage |

6.5.4 1.2V Power-On Reset (POR12)

| Symbol             | Parameter         | Min | Typ  | Max | Unit | Test Condition                  |
|--------------------|-------------------|-----|------|-----|------|---------------------------------|
| T <sub>A</sub>     | Temperature       | -40 | 25   | 125 | °C   | -                               |
| V <sub>POR</sub>   | Reset Voltage     | -   | 0.76 | -   | V    | CORE_VDD rising from 0V to 1.2V |
| I <sub>POR12</sub> | Quiescent current | -   | 10   | -   | nA   | V <sub>in</sub> > reset voltage |

6.5.5 USB 2.0 PHY

6.5.5.1 Low/Full-Speed DC Electrical Specifications

| Symbol             | Parameter                      | Min  | Typ | Max  | Unit | Test Condition                             |
|--------------------|--------------------------------|------|-----|------|------|--|
| V <sub>OL</sub>    | Output Low (Driven)            | -    | -   | 0.3  | V    | 1.5K RPU on DP to 3.6v                     |
| V <sub>OH</sub>    | Output High (Driven)           | 2.8  | -   | -    | V    | 15K RPD on DP, DM to GND                   |
| V <sub>DI</sub>    | Differential Input Sensitivity | 0.2  | -   | -    | V    | V <sub>USB0_DP</sub> -V <sub>USB0_DM</sub> |
| V <sub>CM</sub>    | Differential Common-Mode Range | 0.8  | -   | 2.5  | V    |  |
| V <sub>IL</sub>    | Single-Ended Input Low         | -    | -   | 0.8  | V    | -  |
| V <sub>IH</sub>    | Single-Ended Input High        | 2.0  | -   | -    | V    | -  |
| R <sub>PU</sub>    | Pull-Up Resistor               | 1.35 | 1.5 | 1.65 | kΩ   |  |
| R <sub>PD_DP</sub> | D+ Pull-Down Resistor          | 13.5 | 15  | 16.5 | kΩ   |  |
| R <sub>PD_DM</sub> | D- Pull-Down Resistor          | 13.5 | 15  | 16.5 | kΩ   |  |
| Z <sub>DRV</sub>   | Driver Output Resistance       | 28   | -   | 44   | Ω    | Steady state drive <sup>[1]</sup>          |

Note:

1. Driver output resistance doesn't include series resistor resistance.

6.5.5.2 High-Speed DC Electrical Specifications

| Symbol            | Parameter                                  | Min | Typ | Max | Unit | Test Condition                             |
|-------------------|--|-----|-----|-----|------|--|
| V <sub>HSDI</sub> | High Speed Differential Input Signal Level | 150 | -   | -   | mV   | V <sub>USB0_DP</sub> -V <sub>USB0_DM</sub> |

|                     |  |      |     |      |    |  |
|---------------------|--|------|-----|------|----|--|
| V <sub>HSQ</sub>    | High Speed Squelch Detection Threshold | 100  | 125 | 150  | mV | V <sub>USB0_DP</sub> -V <sub>USB0_DM</sub> |
| V <sub>HSCM</sub>   | High Speed Common Mode Voltage Range   | -50  | -   | 500  | mV |  |
| V <sub>HSOH</sub>   | High Speed Data Signaling High         | 300  | 400 | 440  | mV |  |
| V <sub>HSOL</sub>   | High Speed Data Signaling Low          | -10  | 0   | 10   | mV |  |
| V <sub>CHIRPJ</sub> | Chirp J Level                          | 700  | -   | 1100 | mV |  |
| V <sub>CHIRPK</sub> | Chirp K Level                          | -900 | -   | -500 | mV |  |
| R <sub>HSDRV</sub>  | High Speed Driver Output Resistance    | 40.5 | 45  | 49.5 | Ω  |  |

6.5.5.3 USB Low-Speed Driver AC Electrical Characteristics

| Symbol             | Parameter         | Min | Typ | Max | Unit | Test Condition  |
|--------------------|-------------------|-----|-----|-----|------|---|
| T <sub>LRISE</sub> | Rise Time         | 75  | -   | 300 | ns   | CL=200pF, 10% to 90% of  V <sub>OH</sub> -V <sub>OL</sub> |
| T <sub>LFALL</sub> | Fall Time         | 75  | -   | 300 | ns   | CL=200pF, 10% to 90% of  V <sub>OH</sub> -V <sub>OL</sub> |
| V <sub>LCR</sub>   | Crossover Voltage | 1.3 | -   | 2.0 | V    | Excluding the first transition from idle state            |

6.5.5.4 USB Full-Speed Driver AC Electrical Characteristics

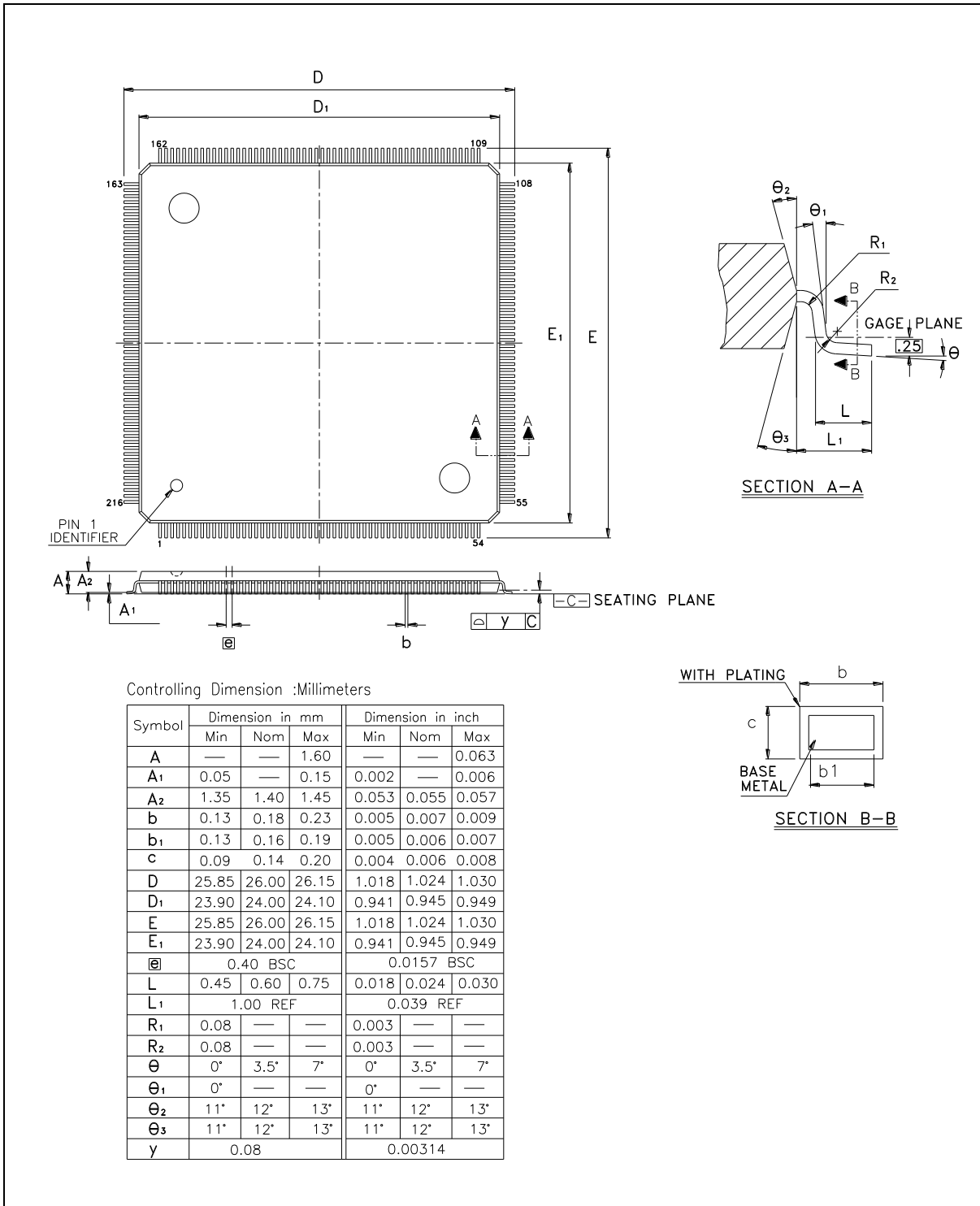
| Symbol             | Parameter         | Min | Typ | Max | Unit | Test Condition   |
|--------------------|-------------------|-----|-----|-----|------|--|
| V <sub>FRISE</sub> | Rise Time         | 4   | -   | 20  | ns   | CL=50pF, 10% to 90% of  V <sub>OH</sub> -V <sub>OL</sub> |
| V <sub>FFALL</sub> | Fall Time         | 4   | -   | 20  | ns   | CL=50pF, 10% to 90% of  V <sub>OH</sub> -V <sub>OL</sub> |
| V <sub>FCR</sub>   | Crossover Voltage | 1.3 | -   | 2.0 | V    | Excluding the first transition from idle state           |

6.5.5.5 USB High-Speed Driver AC Electrical Characteristics

| Symbol             | Parameter                   | Min | Typ | Max | Unit | Test Condition |
|--------------------|-----------------------------|-----|-----|-----|------|----------------|
| V <sub>HRISE</sub> | High Speed Driver Rise Time | 500 | -   | 900 | ps   | CL<10pF        |
| V <sub>HFALL</sub> | High Speed Driver Fall Time | 500 | -   | 900 | ps   | CL<10pF        |

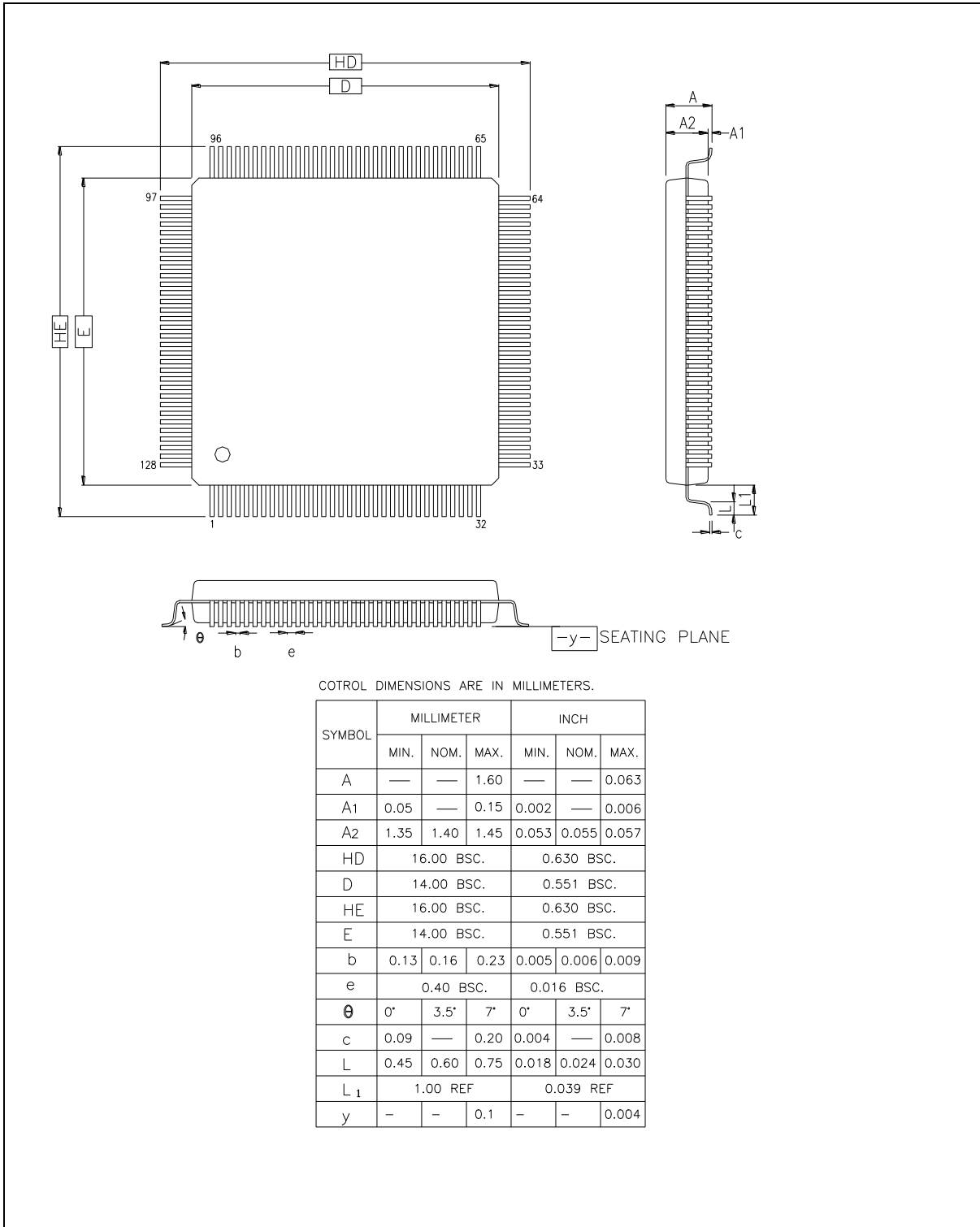
7 PACKAGE DIMENSIONS

7.1 216L LQFP (24x24x1.4mm footprint 2.0mm)





7.2 128L LQFP (14x14x1.4mm footprint 2.0mm)



## 8 REVISION HISTORY

| Date         | Revision | Description   |
|--------------|----------|---|
| 2015, 05,12  | 1.00     | 1. Preliminary version.   |
| 2015, 07,13  | 1.10     | 1. Revised part no. NUC976DK52Y and NUC977DK52Y to be NUC976DK51Y and NUC977DK51Y.  |
| 2015, 07, 29 | 1.15     | 1. Updated pin diagrams and pin descriptions.   |
| 2015, 11, 25 | 1.20     | 1. Added NUC978YoxxY part.<br>2. Modifying part selection guide, pin diagram, pin description and updated QFN88 PKG dimension.<br>3. NUC973 series EOL. |
| 2015, 12,15  | 1.30     | 1. Removed NUC978YoxxY series related information.  |
| 2016, 02, 23 | 1.31     | 1. ADC features and specification updated.  |
| 2016, 12, 28 | 1.40     | 1. Added NUC975DkxxY part no.   |
| 2017, 07, 24 | 1.41     | 1. Added NUC972DF71Y and NUC972DF51Y part no.   |
| 2017, 09, 30 | 1.42     | 1. Added NUC97xDx61Y part no.<br>2. Added NUC978DkxxY part no.<br>3. Removed KPI. (software instead)  |
| 2017, 12, 07 | 1.43     | 1. Removed RMIIO support at pin-mux of PA group.<br>2. Updated pin diagram & pin description.<br>3. Removed NUC97xDK62Y                                 |
| 2018, 04, 10 | 1.44     | 1. I/O type updated for power-on setting pins and USB0_ID.  |
| 2018, 05, 14 | 1.45     | 1. Added CAN part no. NUC972DF71YC & NUC972DF61YC selection.  |
| 2018, 10, 09 | 1.46     | 1. NUC970 series part no. updated in Q4, 2018   |
| 2019, 01, 04 | 1.47     | 1. Pin description revised and supplemented   |
| 2019, 06, 19 | 1.48     | 1. RTC_TICK added to pin list of LQFP216 pin 71   |
| 2019, 07, 08 | 1.49     | 1. Revised SPI interface timing.  |
| 2019, 10, 02 | 1.50     | 1. Added NUC977DK71Y part no.   |
| 2020, 12, 08 | 1.51     | 1. Updated part number selection guide in section 3.2<br>2. Added ARM Microprocessor power performance information in section 6.2                       |
| 2021, 05, 13 | 1.52     | 1. Updated NUC97xDx63X series part number in section 3.2  |
| 2021, 09, 07 | 1.53     | 1. Updated part number selection guide in section 3.2   |

### Important Notice

**Nuvoton Products are neither intended nor warranted for usage in systems or equipment, any malfunction or failure of which may cause loss of human life, bodily injury or severe property damage. Such applications are deemed, “Insecure Usage”.**

**Insecure usage includes, but is not limited to: equipment for surgical implementation, atomic energy control instruments, airplane or spaceship instruments, the control or operation of dynamic, brake or safety systems designed for vehicular use, traffic signal instruments, all types of safety devices, and other applications intended to support or sustain life.**

**All Insecure Usage shall be made at customer’s risk, and in the event that third parties lay claims to Nuvoton as a result of customer’s Insecure Usage, customer shall indemnify the damages and liabilities thus incurred by Nuvoton.**

---

*Please note that all data and specifications are subject to change without notice.  
All the trademarks of products and companies mentioned in this datasheet belong to their respective owners.*

## X-ON Electronics

Largest Supplier of Electrical and Electronic Components

*Click to view similar products for [32-bit Microcontrollers - MCU category](#):*

*Click to view products by [Nuvoton manufacturer](#):*

Other Similar products are found below :

[MCF51AC256AVFUE](#) [MCF51AC256BCFUE](#) [MCF51AC256BVFUE](#) [MB91F464AAPMC-GSE2](#) [R5S726B0D216FP#V0](#) [MB91F248PFV-GE1](#) [MB91243PFV-GS-136E1](#) [SAK-TC1782F-320F180HR BA](#) [TC364DP64F300WAAKXUMA1](#) [R5F566NNDDFP#30](#)  
[R5F566NNDDFC#30](#) [R5F566NNDDBD#20](#) [MC96F8216ADBN](#) [A96G181HDN](#) [A96G140KNN](#) [A96G174FDN](#) [A31G213CL2N](#)  
[A96G148KNN](#) [A96G174AEN](#) [AC33M3064TLBN-01](#) [V3s](#) [T3](#) [A40i-H](#) [V526](#) [A83T](#) [R11](#) [V851s](#) [A133](#) [V833](#) [F1C100S](#) [T3L](#) [T507](#) [A33](#)  
[A63](#) [T113-i](#) [H616](#) [V853](#) [V533](#) [R16-J](#) [V536-H](#) [A64-H](#) [V831](#) [V3LP](#) [T113-S3](#) [F1C200S](#) [F133-A](#) [R128-S2](#) [D1-H](#) [ADUCM360BCPZ128-TR](#)  
[APT32S003F8PT](#)