

74ALVT162821

20-bit bus interface D-type flip-flop; positive-edge trigger with 30 Ω termination resistors; 3-state

Rev. 5 — 19 October 2020

Product data sheet

1. General description

The 74ALVT162821 is a 20-bit positive-edge triggered D-type flip-flop with 30 Ω termination resistors and 3-state outputs

The device can be used as two 10-bit flip-flops or one 20-bit flip-flop. The device features two clocks (1CP and 2CP) and two output enables ($1\overline{OE}$ and $2\overline{OE}$), each controlling 10-bits. The flip-flops will store the state of their individual D-inputs that meet the set-up and hold time requirements on the LOW-to-HIGH clock (nCP) transition. A HIGH on $n\overline{OE}$ causes the outputs to assume a high-impedance OFF-state. Operation of the $n\overline{OE}$ input does not affect the state of the flip-flops. Bus hold data inputs eliminate the need for external pull-up resistors to define unused inputs

2. Features and benefits

- Wide supply voltage range from 2.3 V to 3.6 V
- Overvoltage tolerant inputs to 5.5 V
- BiCMOS high speed and output drive
- Outputs include series resistance of 30 Ω making external termination resistors unnecessary
- No bus current loading when output is tied to 5 V bus
- Direct interface with TTL levels
- I_{OFF} circuitry provides partial Power-down mode operation
- 20-bit positive-edge triggered register
- 5 V I/O compatible
- Multiple V_{CC} and GND pins minimize switching noise
- Bus hold on data inputs
- Live insertion and extraction permitted
- Power-up reset
- Power-up 3-state
- Output capability: +12 mA and -12 mA
- Latch-up protection:
 - JESD17: exceeds 500 mA
- ESD protection:
 - MIL STD 883, method 3015: exceeds 2000 V
 - MM: exceeds 200 V
- Specified from -40 $^{\circ}C$ to 85 $^{\circ}C$

3. Ordering information

Table 1. Ordering information

Type number	Package			
	Temperature range	Name	Description	Version
74ALVT162821DGG	-40 $^{\circ}C$ to +85 $^{\circ}C$	TSSOP56	plastic thin shrink small outline package; 56 leads; body width 6.1 mm	SOT364-1

4. Functional diagram

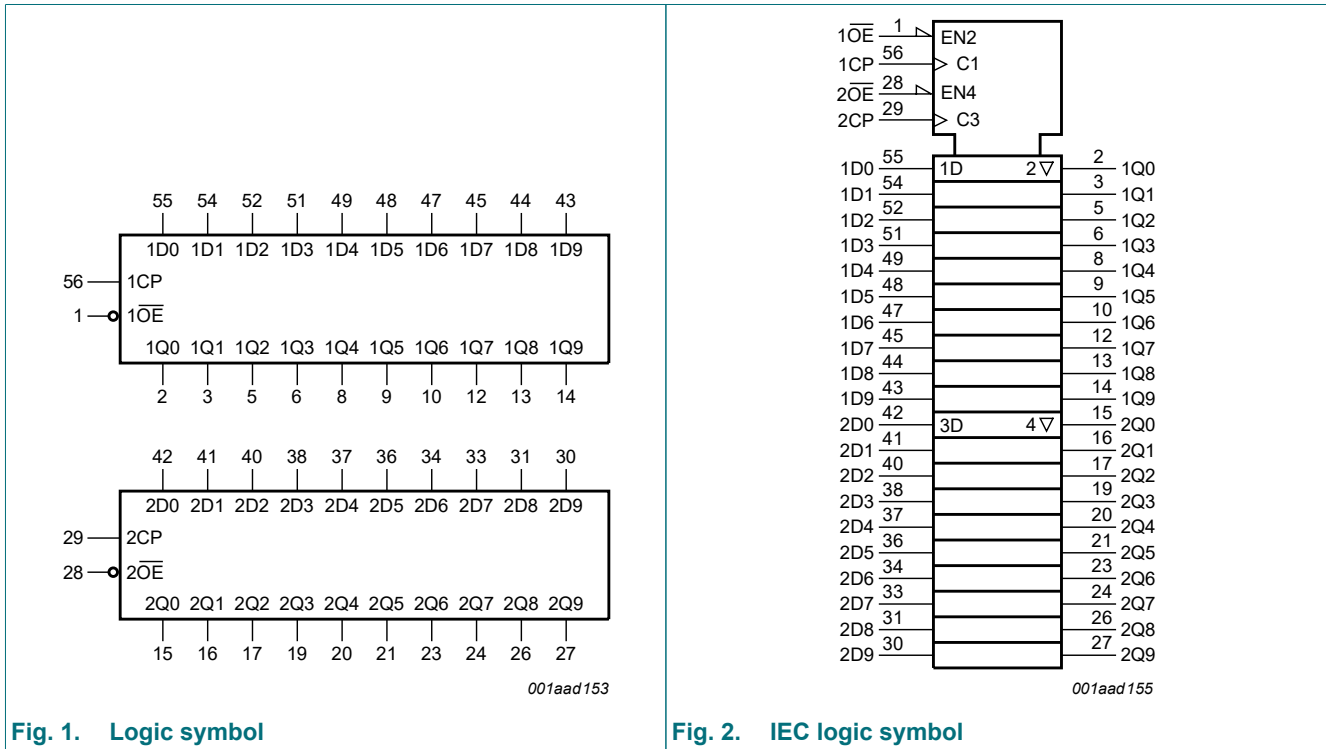


Fig. 1. Logic symbol

Fig. 2. IEC logic symbol

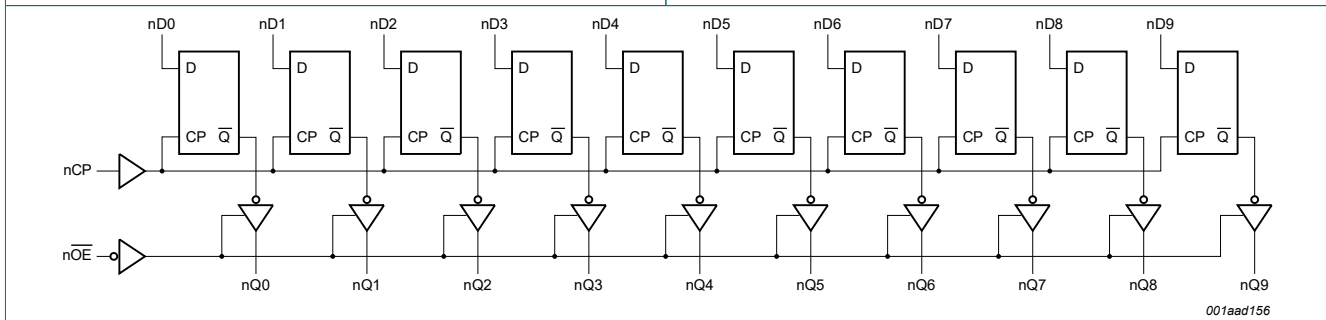


Fig. 3. Logic diagram

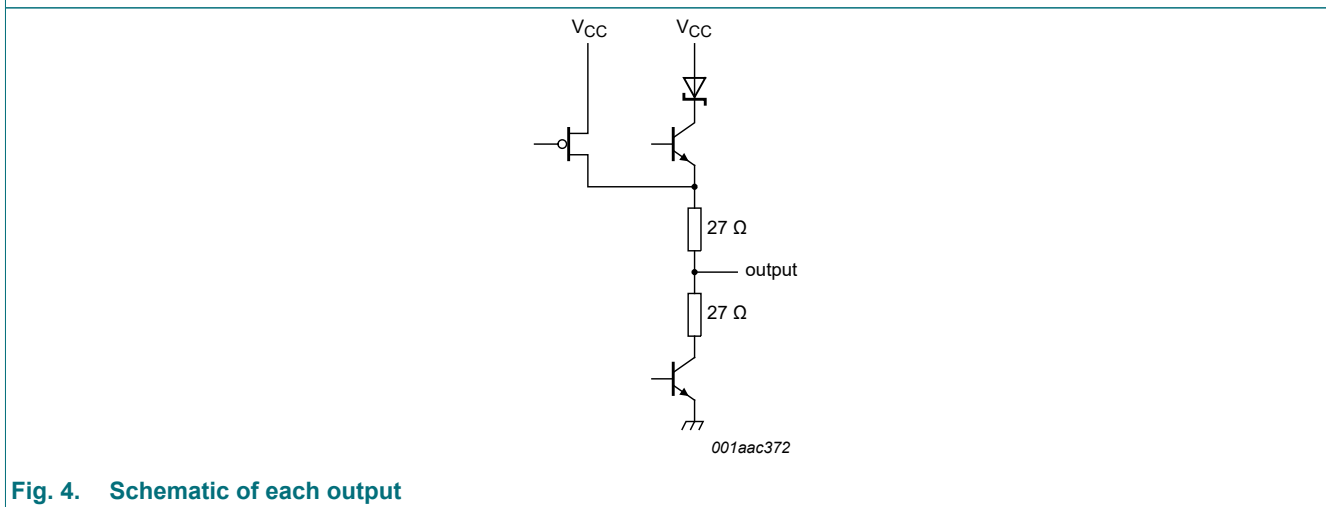


Fig. 4. Schematic of each output

5. Pinning information

5.1. Pinning

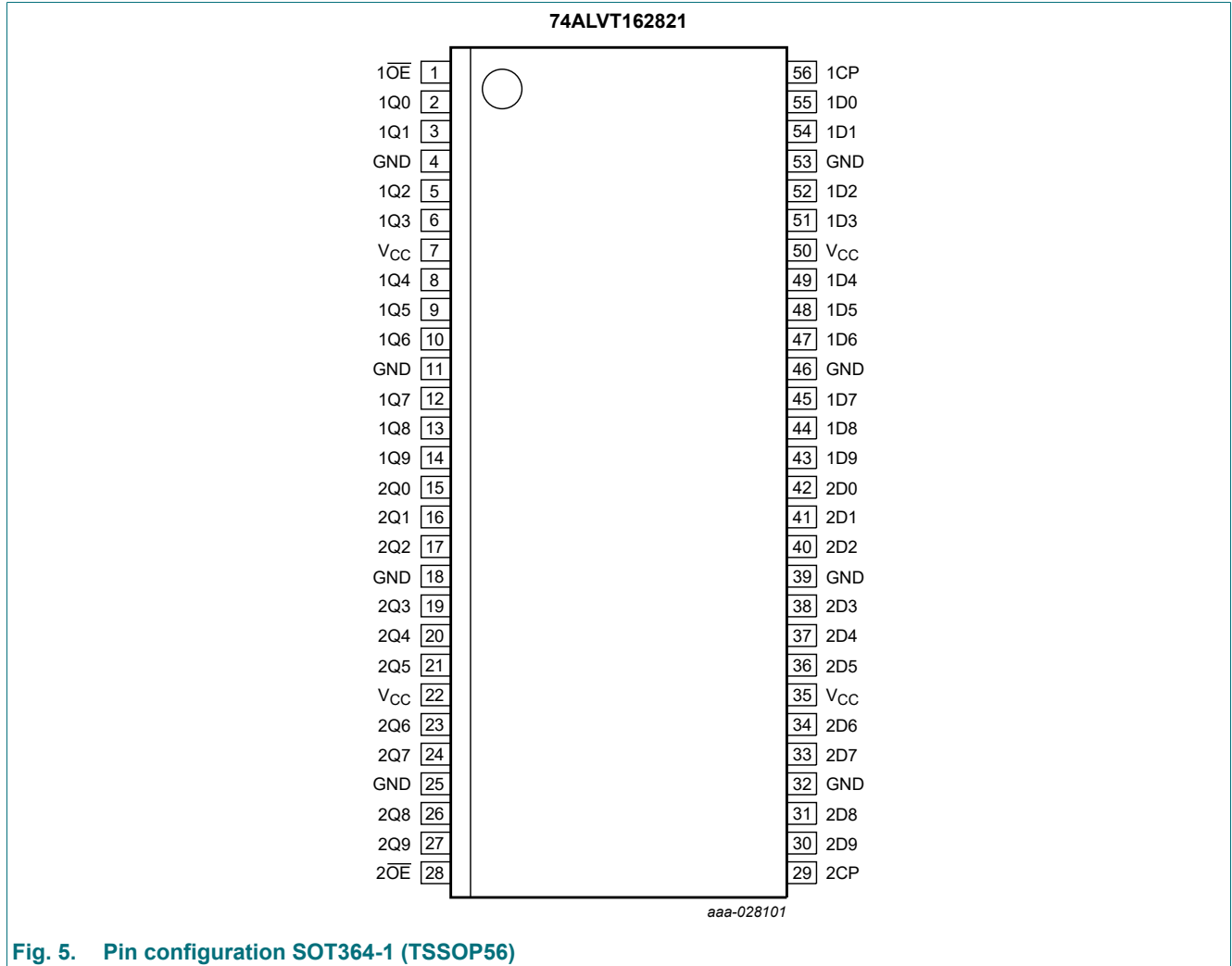


Fig. 5. Pin configuration SOT364-1 (TSSOP56)

5.2. Pin description

Table 2. Pin description

Symbol	Pin	Description
1D0, 1D1, 1D2, 1D3, 1D4, 1D5, 1D6, 1D7, 1D8, 1D9	55, 54, 52, 51, 49, 48, 47, 45, 44, 43	data inputs
1Q0, 1Q1, 1Q2, 1Q3, 1Q4, 1Q5, 1Q6, 1Q7, 1Q8, 1Q9	2, 3, 5, 6, 8, 9, 10, 12, 13, 14	data outputs
2D0, 2D1, 2D2, 2D3, 2D4, 2D5, 2D6, 2D7, 2D8, 2D9	42, 41, 40, 38, 37, 36, 34, 33, 31, 30	data inputs
2Q0, 2Q1, 2Q2, 2Q3, 2Q4, 2Q5, 2Q6, 2Q7, 2Q8, 2Q9	15, 16, 17, 19, 20, 21, 23, 24, 26, 27	data outputs
1OE, 2OE	1, 28	output enable inputs (active LOW)
1CP, 2CP	56, 29	clock pulse inputs (active rising edge)
GND	4, 11, 18, 25, 32, 39, 46, 53	ground (0 V)
V _{CC}	7, 22, 35, 50	supply voltage

6. Functional description

Table 3. Function table

H = HIGH voltage level; *h* = HIGH voltage level one set-up time prior to the LOW-to-HIGH clock transition;

L = LOW voltage level; *l* = LOW voltage level one set-up time prior to the LOW-to-HIGH clock transition;

NC = no change; *X* = don't care;

Z = high-impedance OFF-state; ↑ = LOW-to-HIGH clock transition.

Operating mode	Input			Internal register	Output
	nOE	nCP	nDn		
Load and read register	L	↑	l	L	L
	L	↑	h	H	H
Hold	L	NC	X	NC	NC
Disable outputs	H	NC	X	NC	Z
	H	↑	nDn	nDn	Z

7. Limiting values

Table 4. Limiting values

In accordance with the Absolute Maximum Rating System (IEC 60134).

Symbol	Parameter	Conditions	Min	Max	Unit
V _{CC}	supply voltage		-0.5	+4.6	V
V _I	input voltage		[1] -1.2	+7.0	V
V _O	output voltage	output in OFF-state or HIGH-state	[1] -0.5	+7.0	V
I _{IK}	input clamping current	V _I < 0 V	-	-50	mA
I _{OK}	output clamping current	V _O < 0 V	-	-50	mA
I _O	output current	output in LOW-state	-	128	mA
		output in HIGH-state	-	-64	mA
T _{stg}	storage temperature		-65	+150	°C
T _j	junction temperature		[2] -	150	°C

[1] The input and output negative voltage ratings may be exceeded if the input and output clamp current ratings are observed.

[2] The performance capability of a high-performance integrated circuit in conjunction with its thermal environment can create junction temperatures which are detrimental to reliability.

8. Recommended operating conditions

Table 5. Recommended operating conditions

Symbol	Parameter	Conditions	V _{CC} = 2.5 V ± 0.2 V		V _{CC} = 3.3 V ± 0.3 V		Unit
			Min	Max	Min	Max	
V _{CC}	supply voltage		2.3	2.7	3.0	3.6	V
V _I	input voltage		0	5.5	0	5.5	V
I _{OH}	HIGH-level output current		-	-8	-	-12	mA
I _{OL}	LOW-level output current	none	-	12	-	12	mA
Δt/ΔV	input transition rise and fall rate	outputs enabled	-	10	-	10	ns/V
T _{amb}	ambient temperature	free-air	-40	+85	-40	+85	°C

9. Static characteristics

Table 6. Static characteristics

At recommended operating conditions; T_{amb} = -40 °C to +85 °C; voltages are referenced to GND (ground = 0 V).

Symbol	Parameter	Conditions	Min	Typ[1]	Max	Unit
V_{CC} = 2.5 V ± 0.2 V						
V _{IK}	input clamping voltage	V _{CC} = 2.3 V; I _{IK} = -18 mA	-	-0.85	-1.2	V
V _{IH}	HIGH-level input voltage		1.7	-	-	V
V _{IL}	LOW-level input voltage		-	-	0.7	V
V _{OH}	HIGH-level output voltage	V _{CC} = 2.3 V to 3.6 V; I _O = -100 μA	V _{CC} - 0.2	V _{CC}	-	V
		V _{CC} = 2.3 V; I _O = -8 mA	1.8	2.1	-	V
V _{OL}	LOW-level output voltage	V _{CC} = 2.3 V; I _O = 100 μA	-	0.07	0.2	V
		V _{CC} = 2.3 V; I _O = 24 mA	-	0.3	0.5	V
		V _{CC} = 2.3 V; I _O = 8 mA	-	-	0.4	V
V _{OL(pu)}	power-up LOW-level output voltage	V _{CC} = 2.7 V; I _O = 1 mA; V _I = V _{CC} or GND	[2] -	-	0.55	V

20-bit bus interface D-type flip-flop; positive-edge trigger with 30 Ω termination resistors; 3-state

Symbol	Parameter	Conditions	Min	Typ[1]	Max	Unit
I _I	input leakage current	all input pins				
		V _{CC} = 0 V or 2.7 V; V _I = 5.5 V	-	0.1	10	μA
		control pins				
		V _{CC} = 2.7 V; V _I = V _{CC} or GND	-	0.1	±1	μA
		data pins; [3]				
		V _{CC} = 2.7 V; V _I = V _{CC}	-	0.1	1	μA
		V _{CC} = 2.7 V; V _I = 0 V	-	0.1	-5	μA
I _{OFF}	power-off leakage current	V _{CC} = 0 V; V _I or V _O = 0 V to 4.5 V	-	0.1	±100	μA
I _{BHL}	bus hold LOW current	data inputs; V _{CC} = 2.3 V; V _I = 0.7 V	-	90	-	μA
I _{BHH}	bus hold HIGH current	data inputs; V _{CC} = 2.3 V; V _I = 1.7 V	-	-10	-	μA
I _{EX}	external current	output in HIGH-state when V _O > V _{CC} ; V _O = 5.5 V; V _{CC} = 2.3 V	-	10	125	μA
I _{O(pu/pd)}	power-up/power-down output current	V _{CC} ≤ 1.2 V; V _O = 0.5 V to V _{CC} ; V _I = GND or V _{CC} ; nOE = don't care [4]	-	1	±100	μA
I _{OZ}	OFF-state output current	V _{CC} = 2.7 V; V _I = V _{IL} or V _{IH}				
		output HIGH-state; V _O = 2.3 V	-	0.5	5	μA
		output LOW-state; V _O = 0.5 V	-	0.5	-5	μA
I _{CC}	supply current	V _{CC} = 2.7 V; V _I = GND or V _{CC} ; I _O = 0 A				
		outputs HIGH-state	-	0.04	0.1	mA
		outputs LOW-state	-	2.3	4.5	mA
		outputs disabled [5]		0.04	0.1	mA
ΔI _{CC}	additional supply current	per input pin; V _{CC} = 2.3 V to 2.7 V; one input at V _{CC} - 0.6 V; other inputs at V _{CC} or GND [6]	-	0.04	0.4	mA
C _I	input capacitance	V _I = 0 V or V _{CC}	-	3	-	pF
C _O	output capacitance	V _O = 0 V or V _{CC}	-	9	-	pF
V_{CC} = 3.3 V ± 0.3 V						
V _{IK}	input clamping voltage	V _{CC} = 3.0 V; I _{IK} = -18 mA	-	-0.85	-1.2	V
V _{IH}	HIGH-level input voltage		2.0	-	-	V
V _{IL}	LOW-level input voltage		-	-	0.8	V
V _{OH}	HIGH-level output voltage	V _{CC} = 3.0 V to 3.6 V; I _O = -100 μA	V _{CC} - 0.2	V _{CC}	-	V
		V _{CC} = 3.0 V; I _O = -32 mA	2.0	2.3	-	V
V _{OL}	LOW-level output voltage	V _{CC} = 3.0 V				
		I _O = 100 μA	-	0.07	0.2	V
		I _O = 16 mA	-	0.25	0.4	V
		I _O = 32 mA	-	0.3	0.5	V
		I _O = 64 mA	-	0.4	0.55	V
V _{OL(pu)}	power-up LOW-level output voltage	V _{CC} = 3.6 V; I _O = 1 mA; V _I = V _{CC} or GND [2]	-	-	0.55	V

20-bit bus interface D-type flip-flop; positive-edge trigger with 30 Ω termination resistors; 3-state

Symbol	Parameter	Conditions	Min	Typ[1]	Max	Unit
I _I	input leakage current	all input pins; V _{CC} = 0 V or 3.6 V; V _I = 5.5 V	-	0.1	10	μA
		control pins V _{CC} = 3.6 V; V _I = V _{CC} or GND	-	0.1	±1	μA
		data pins; [3]				
		V _{CC} = 3.6 V; V _I = V _{CC}	-	0.5	1	μA
		V _{CC} = 3.6 V; V _I = 0 V	-	0.1	-5	μA
I _{OFF}	power-off leakage current	V _{CC} = 0 V; V _I or V _O = 0 V to 4.5 V	-	0.1	±100	μA
I _{BHL}	bus hold LOW current	data inputs; V _{CC} = 3 V; V _I = 0.8 V	75	130	-	μA
I _{BHH}	bus hold HIGH current	data inputs; V _{CC} = 3 V; V _I = 2.0 V	-75	-140	-	μA
I _{BHLO}	bus hold LOW overdrive current	data inputs; V _{CC} = 3.6 V; V _I = 0 V to 3.6 V [7]	500	-	-	μA
I _{BHHO}	bus hold HIGH overdrive current	data inputs; V _{CC} = 3.6 V; V _I = 0 V to 3.6 V [7]	-500	-	-	μA
I _{EX}	external current	output in HIGH-state when V _O > V _{CC} ; V _O = 5.5 V; V _{CC} = 3.0 V	-	10	125	μA
I _{O(pu/pd)}	power-up/power-down output current	V _{CC} ≤ 1.2 V; V _O = 0.5 V to V _{CC} ; V _I = GND or V _{CC} ; n \overline{OE} = don't care [8]	-	1	±100	μA
I _{OZ}	OFF-state output current	V _{CC} = 3.6 V; V _I = V _{IL} or V _{IH}				
		output HIGH-state; V _O = 3.0 V	-	0.5	5	μA
		output LOW-state; V _O = 0.5 V	-	0.5	-5	μA
I _{CC}	supply current	V _{CC} = 3.6 V; V _I = GND or V _{CC} ; I _O = 0 A				
		outputs HIGH-state	-	0.07	0.1	mA
		outputs LOW-state	-	5.1	7	mA
		outputs disabled [5]	-	0.07	0.1	mA
ΔI _{CC}	additional supply current	per input pin; V _{CC} = 3 V to 3.6 V; one input at V _{CC} - 0.6 V; other inputs at V _{CC} or GND [6]	-	0.04	0.4	mA
C _I	input capacitance	V _I = 0 V or V _{CC}	-	3	-	pF
C _O	output capacitance	V _O = 0 V or V _{CC}	-	9	-	pF

- [1] All typical values for V_{CC} = 2.5 V ± 0.2 V are measured at V_{CC} = 2.5 V and T_{amb} = 25 °C.
All typical values for V_{CC} = 3.3 V ± 0.3 V are measured at V_{CC} = 3.3 V and T_{amb} = 25 °C.
- [2] For valid test results, data must not be loaded into the flip-flops (or latches) after applying power.
- [3] Unused pins at V_{CC} or GND.
- [4] This parameter is valid for any V_{CC} between 0 V and 1.2 V with a transition time of up to 10 ms.
From V_{CC} = 1.2 V to (2.5 ± 0.2) V a transition time of 100 μs is permitted. This parameter is valid for T_{amb} = 25 °C only.
- [5] I_{CC} with outputs disabled is measured with outputs pulled to V_{CC} or GND.
- [6] This is the increase in supply current for each input at the specified voltage level other than V_{CC} or GND.
- [7] This is the bus hold overdrive current required to force the input to the opposite logic state.
- [8] This parameter is valid for any V_{CC} between 0 V and 1.2 V with a transition time of up to 10 ms.
From V_{CC} = 1.2 V to (3.3 ± 0.3) V a transition time of 100 μs is permitted. This parameter is valid for T_{amb} = 25 °C only.

10. Dynamic characteristics

Table 7. Dynamic characteristics

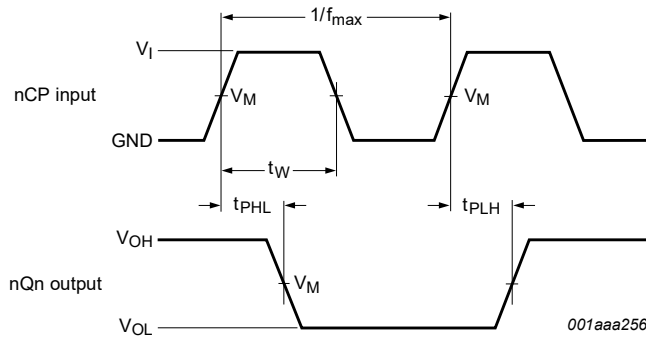
Voltages are referenced to GND (ground = 0 V); $T_{amb} = -40\text{ }^{\circ}\text{C}$ to $+85\text{ }^{\circ}\text{C}$; for test circuit see Fig. 9.

Symbol	Parameter	Conditions	Min	Typ[1]	Max	Unit
$V_{CC} = 2.5\text{ V} \pm 0.2\text{ V}$						
t_{PLH}	LOW to HIGH propagation delay	nCP to nQn; see Fig. 6	1.0	4.4	7.0	ns
t_{PHL}	HIGH to LOW propagation delay	nCP to nQn; see Fig. 6	1.0	3.8	6.4	ns
t_{PZH}	OFF-state to HIGH propagation delay	\overline{nOE} to nQn; see Fig. 8	1.5	4.6	7.5	ns
t_{PZL}	OFF-state to LOW propagation delay	\overline{nOE} to nQn; see Fig. 8	1.0	2.8	4.6	ns
t_{PHZ}	HIGH to OFF-state propagation delay	\overline{nOE} to nQn; see Fig. 8	1.5	3.5	5.5	ns
t_{PLZ}	LOW to OFF-state propagation delay	\overline{nOE} to nQn; see Fig. 8	1.0	3.7	5.7	ns
t_{su}	set-up time	nDn to nCP HIGH; see Fig. 7	1.5	0.1	-	ns
		nDn to nCP LOW; see Fig. 7	2.0	0.5	-	ns
t_h	hold time	nDn to nCP HIGH; see Fig. 7	0.3	-0.5	-	ns
		nDn to nCP LOW; see Fig. 7	0.5	-0.1	-	ns
t_W	pulse width	nCP HIGH or LOW; see Fig. 6	1.5	-	-	ns
f_{max}	maximum frequency	nCP; see Fig. 6	150	-	-	MHz
$V_{CC} = 3.3\text{ V} \pm 0.3\text{ V}$						
t_{PLH}	LOW to HIGH propagation delay	nCP to nQn; see Fig. 6	1.0	3.2	5.0	ns
t_{PHL}	HIGH to LOW propagation delay	nCP to nQn; see Fig. 6	1.0	3.2	4.7	ns
t_{PZH}	OFF-state to HIGH propagation delay	\overline{nOE} to nQn; see Fig. 8	1.0	3.4	5.6	ns
t_{PZL}	OFF-state to LOW propagation delay	\overline{nOE} to nQn; see Fig. 8	0.5	2.3	3.7	ns
t_{PHZ}	HIGH to OFF-state propagation delay	\overline{nOE} to nQn; see Fig. 8	1.5	3.7	5.4	ns
t_{PLZ}	LOW to OFF-state propagation delay	\overline{nOE} to nQn; see Fig. 8	1.5	3.0	4.3	ns
t_{su}	set-up time	nDn to nCP HIGH or LOW; see Fig. 7	1.5	0.1	-	ns
t_h	hold time HIGH	nDn to nCP HIGH or LOW; see Fig. 7	0.5	0.1	-	ns
t_W	pulse width	nCP HIGH or LOW; see Fig. 6	1.5	-	-	ns
f_{max}	maximum frequency	nCP; see Fig. 6	150	-	-	MHz

[1] All typical values for $V_{CC} = 2.5\text{ V} \pm 0.2\text{ V}$ are measured at $V_{CC} = 2.5\text{ V}$ and $T_{amb} = 25\text{ }^{\circ}\text{C}$.

All typical values for $V_{CC} = 3.3\text{ V} \pm 0.3\text{ V}$ are measured at $V_{CC} = 3.3\text{ V}$ and $T_{amb} = 25\text{ }^{\circ}\text{C}$.

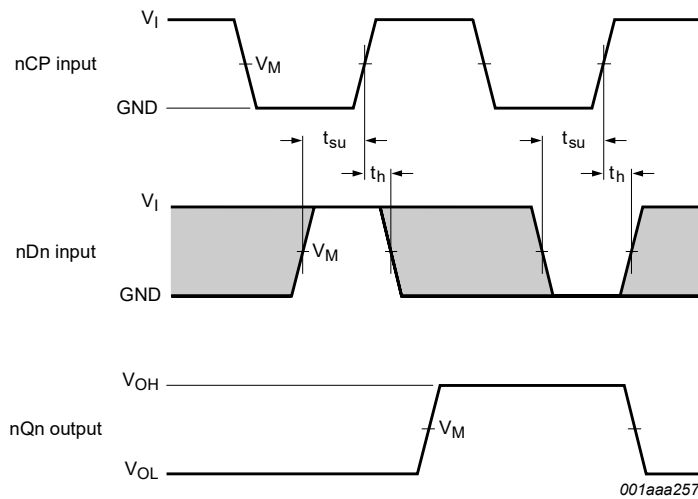
10.1. Waveforms and test circuit



Measurement points are given in [Table 8](#).

V_{OL} and V_{OH} are typical voltage output levels that occur with the output load.

Fig. 6. Propagation delay clock input (nCP) to output (nQn), clock pulse (nCP) width and maximum clock frequency



Measurement points are given in [Table 8](#).

V_{OL} and V_{OH} are typical voltage output levels that occur with the output load.

The shaded areas indicate when the input is permitted to change for predictable output performance.

Fig. 7. Set-up times and hold times from input (nDn) to clock (nCP)

20-bit bus interface D-type flip-flop; positive-edge trigger with 30 Ω termination resistors; 3-state

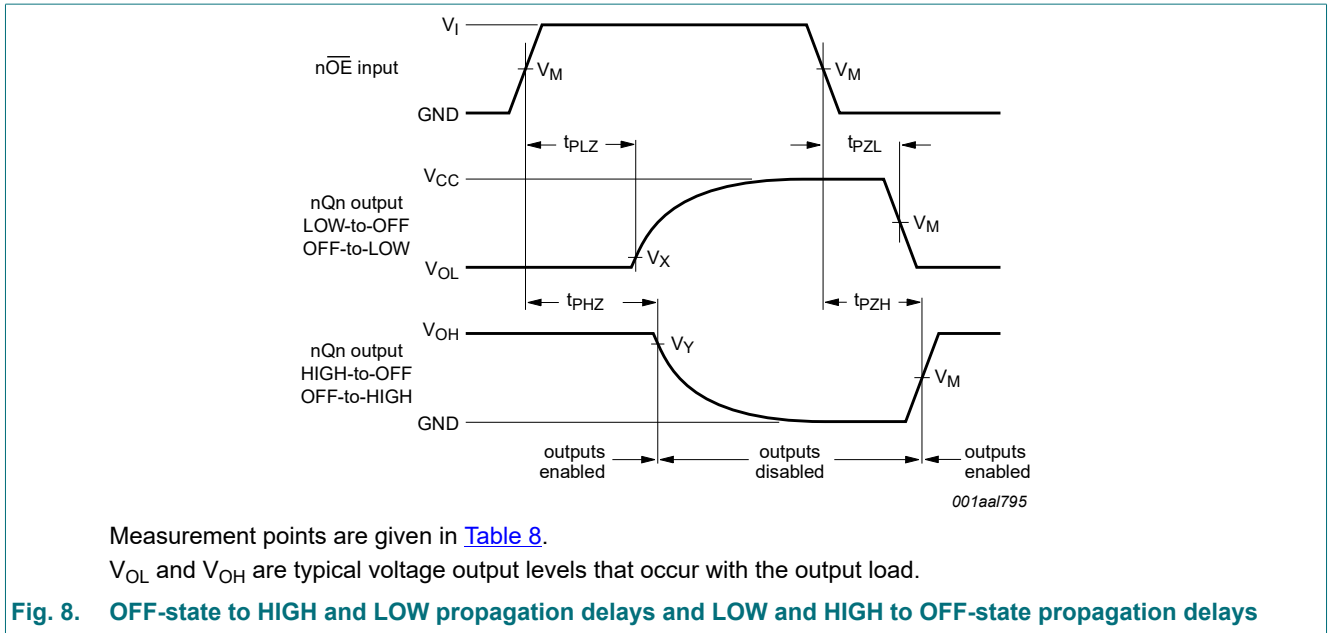


Table 8. Measurement points

V_{CC}	Input		Output		
	V_I	V_M	V_M	V_X	V_Y
$V_{CC} \leq 2.7 \text{ V}$	V_{CC}	$0.5 \times V_{CC}$	$0.5 \times V_{CC}$	$V_{OL} + 0.15 \text{ V}$	$V_{OH} - 0.15 \text{ V}$
$V_{CC} \geq 3.0 \text{ V}$	3.0 V	1.5 V	1.5 V	$V_{OL} + 0.3 \text{ V}$	$V_{OH} - 0.3 \text{ V}$

20-bit bus interface D-type flip-flop; positive-edge trigger with 30 Ω termination resistors; 3-state

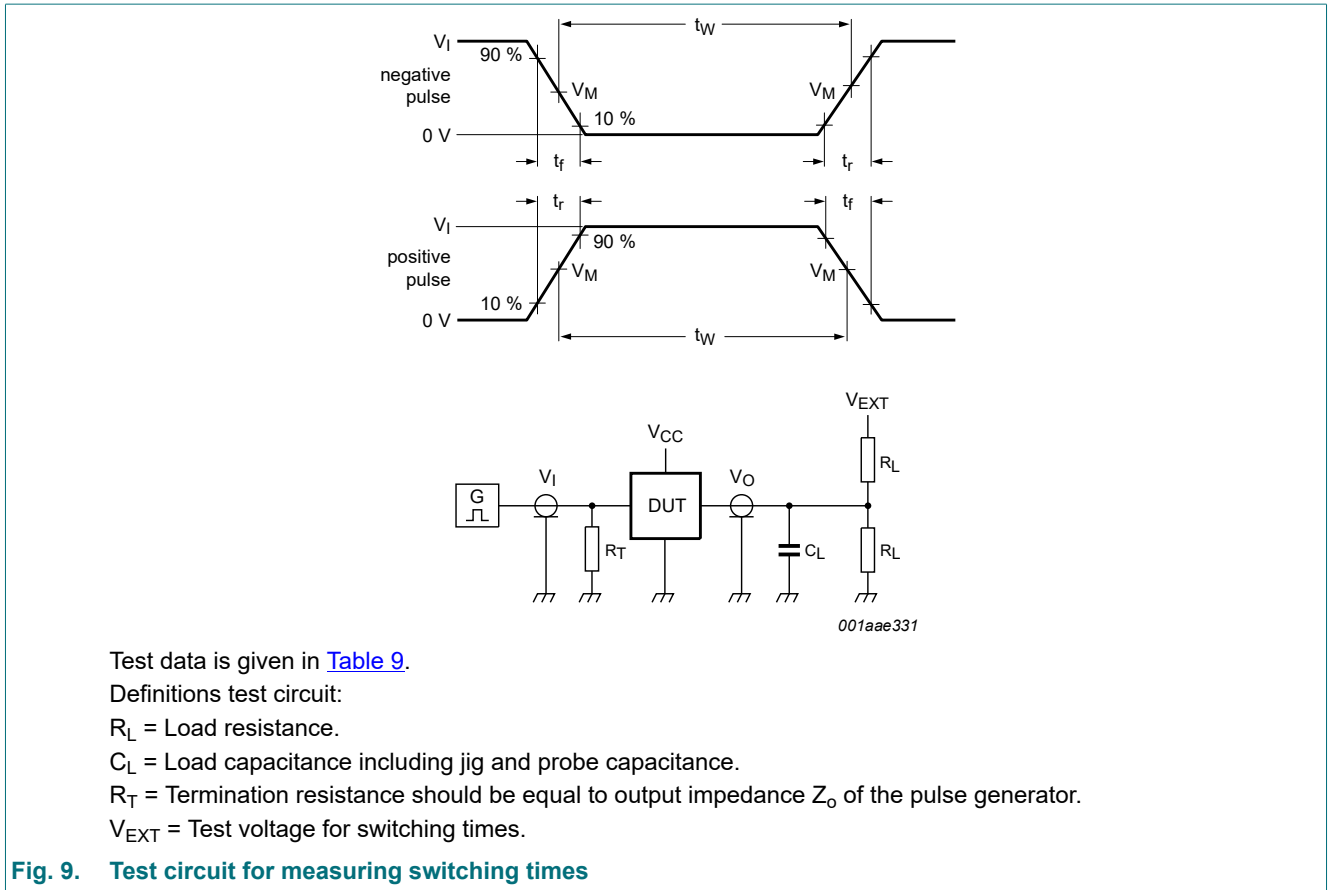


Table 9. Test data

Input				Load		V_{EXT}		
V_I	f_i	t_W	t_r, t_f	C_L	R_L	t_{PHZ}, t_{PZH}	t_{PLZ}, t_{PZL}	t_{PLH}, t_{PHL}
3.0 V or V_{CC} whichever is less	≤ 10 MHz	500 ns	≤ 2.5 ns	50 pF	500 Ω	GND	6 V or $V_{CC} \times 2$	open

11. Package outline

TSSOP56: plastic thin shrink small outline package; 56 leads; body width 6.1 mm

SOT364-1

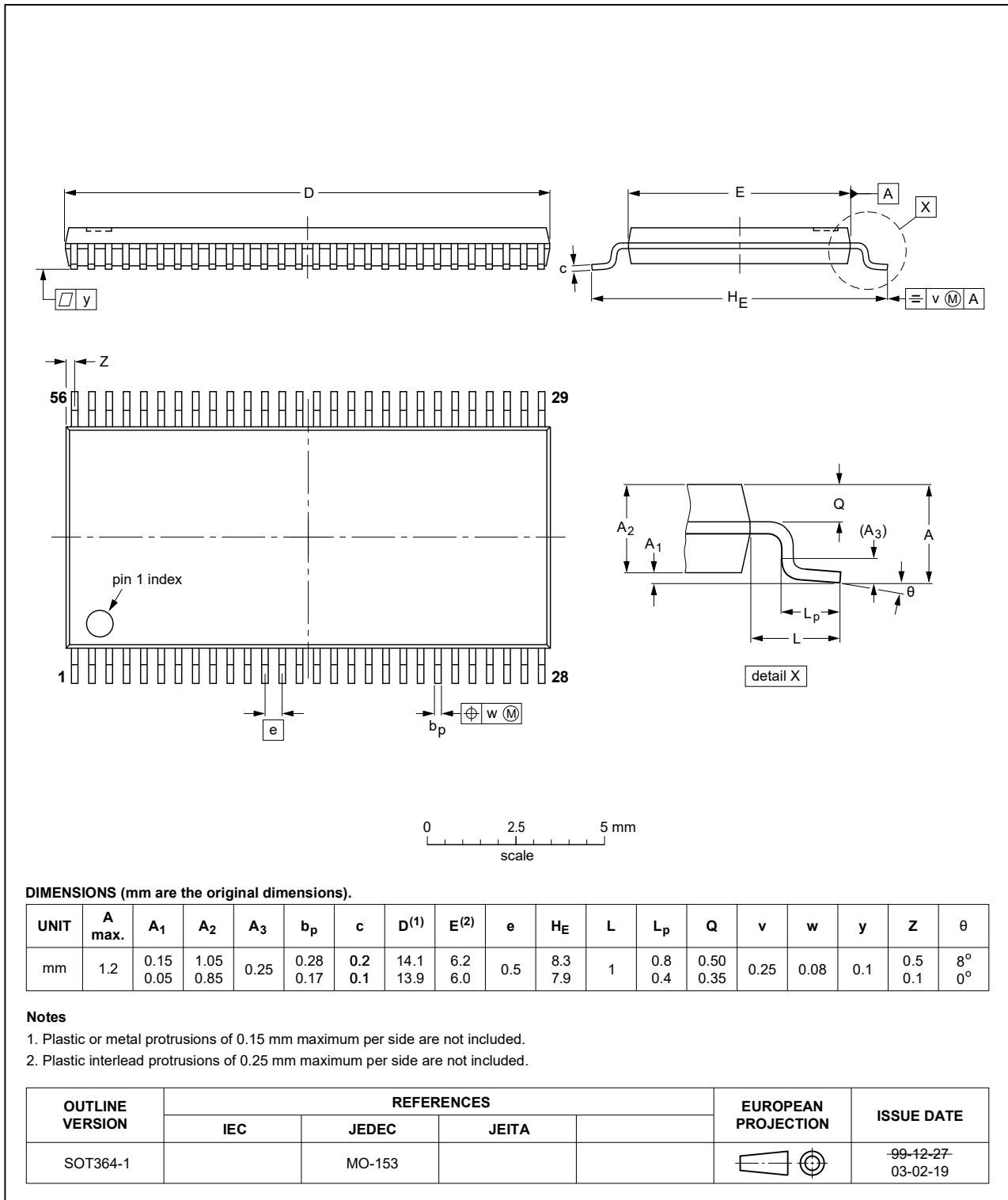


Fig. 10. Package outline SOT364-1 (TSSOP56)

12. Abbreviations

Table 10. Abbreviations

Acronym	Description
BiCMOS	Bipolar Complementary Metal Oxide Semiconductor
DUT	Device Under Test
ESD	ElectroStatic Discharge
MIL	Military
MM	Machine Model
MOS	Metal Oxide Semiconductor

13. Revision history

Table 11. Revision history

Document ID	Release date	Data sheet status	Change notice	Supersedes
74ALVT162821 v.5	20201019	Product data sheet	-	74ALVT162821 v.4
Modifications:	<ul style="list-style-type: none"> Type number 74ALVT162821DGG (SOT371-1 / SSOP56) removed. Section 1 and Section 2 updated. Table 4: Derating values for P_{tot} total power dissipation updated. 			
74ALVT162821 v.4	20180124	Product data sheet	-	74ALVT162821 v.3
Modifications:	<ul style="list-style-type: none"> The format of this data sheet has been redesigned to comply with the identity guidelines of Nexperia. Legal texts have been adapted to the new company name where appropriate. 			
74ALVT162821 v.3	19981002	Product data sheet	-	74ALVT162821 v.2
74ALVT162821 v.2	19980213	Product specification	-	74ALVT162821 v.1
74ALVT162821 v.1	19971117	Product specification	-	-

14. Legal information

Data sheet status

Document status [1][2]	Product status [3]	Definition
Objective [short] data sheet	Development	This document contains data from the objective specification for product development.
Preliminary [short] data sheet	Qualification	This document contains data from the preliminary specification.
Product [short] data sheet	Production	This document contains the product specification.

- [1] Please consult the most recently issued document before initiating or completing a design.
- [2] The term 'short data sheet' is explained in section "Definitions".
- [3] The product status of device(s) described in this document may have changed since this document was published and may differ in case of multiple devices. The latest product status information is available on the internet at <https://www.nexperia.com>.

Definitions

Draft — The document is a draft version only. The content is still under internal review and subject to formal approval, which may result in modifications or additions. Nexperia does not give any representations or warranties as to the accuracy or completeness of information included herein and shall have no liability for the consequences of use of such information.

Short data sheet — A short data sheet is an extract from a full data sheet with the same product type number(s) and title. A short data sheet is intended for quick reference only and should not be relied upon to contain detailed and full information. For detailed and full information see the relevant full data sheet, which is available on request via the local Nexperia sales office. In case of any inconsistency or conflict with the short data sheet, the full data sheet shall prevail.

Product specification — The information and data provided in a Product data sheet shall define the specification of the product as agreed between Nexperia and its customer, unless Nexperia and customer have explicitly agreed otherwise in writing. In no event however, shall an agreement be valid in which the Nexperia product is deemed to offer functions and qualities beyond those described in the Product data sheet.

Disclaimers

Limited warranty and liability — Information in this document is believed to be accurate and reliable. However, Nexperia does not give any representations or warranties, expressed or implied, as to the accuracy or completeness of such information and shall have no liability for the consequences of use of such information. Nexperia takes no responsibility for the content in this document if provided by an information source outside of Nexperia.

In no event shall Nexperia be liable for any indirect, incidental, punitive, special or consequential damages (including - without limitation - lost profits, lost savings, business interruption, costs related to the removal or replacement of any products or rework charges) whether or not such damages are based on tort (including negligence), warranty, breach of contract or any other legal theory.

Notwithstanding any damages that customer might incur for any reason whatsoever, Nexperia's aggregate and cumulative liability towards customer for the products described herein shall be limited in accordance with the Terms and conditions of commercial sale of Nexperia.

Right to make changes — Nexperia reserves the right to make changes to information published in this document, including without limitation specifications and product descriptions, at any time and without notice. This document supersedes and replaces all information supplied prior to the publication hereof.

Suitability for use — Nexperia products are not designed, authorized or warranted to be suitable for use in life support, life-critical or safety-critical systems or equipment, nor in applications where failure or malfunction of an Nexperia product can reasonably be expected to result in personal

injury, death or severe property or environmental damage. Nexperia and its suppliers accept no liability for inclusion and/or use of Nexperia products in such equipment or applications and therefore such inclusion and/or use is at the customer's own risk.

Quick reference data — The Quick reference data is an extract of the product data given in the Limiting values and Characteristics sections of this document, and as such is not complete, exhaustive or legally binding.

Applications — Applications that are described herein for any of these products are for illustrative purposes only. Nexperia makes no representation or warranty that such applications will be suitable for the specified use without further testing or modification.

Customers are responsible for the design and operation of their applications and products using Nexperia products, and Nexperia accepts no liability for any assistance with applications or customer product design. It is customer's sole responsibility to determine whether the Nexperia product is suitable and fit for the customer's applications and products planned, as well as for the planned application and use of customer's third party customer(s). Customers should provide appropriate design and operating safeguards to minimize the risks associated with their applications and products.

Nexperia does not accept any liability related to any default, damage, costs or problem which is based on any weakness or default in the customer's applications or products, or the application or use by customer's third party customer(s). Customer is responsible for doing all necessary testing for the customer's applications and products using Nexperia products in order to avoid a default of the applications and the products or of the application or use by customer's third party customer(s). Nexperia does not accept any liability in this respect.

Limiting values — Stress above one or more limiting values (as defined in the Absolute Maximum Ratings System of IEC 60134) will cause permanent damage to the device. Limiting values are stress ratings only and (proper) operation of the device at these or any other conditions above those given in the Recommended operating conditions section (if present) or the Characteristics sections of this document is not warranted. Constant or repeated exposure to limiting values will permanently and irreversibly affect the quality and reliability of the device.

Terms and conditions of commercial sale — Nexperia products are sold subject to the general terms and conditions of commercial sale, as published at <http://www.nexperia.com/profile/terms>, unless otherwise agreed in a valid written individual agreement. In case an individual agreement is concluded only the terms and conditions of the respective agreement shall apply. Nexperia hereby expressly objects to applying the customer's general terms and conditions with regard to the purchase of Nexperia products by customer.

No offer to sell or license — Nothing in this document may be interpreted or construed as an offer to sell products that is open for acceptance or the grant, conveyance or implication of any license under any copyrights, patents or other industrial or intellectual property rights.

Export control — This document as well as the item(s) described herein may be subject to export control regulations. Export might require a prior authorization from competent authorities.

Non-automotive qualified products — Unless this data sheet expressly states that this specific Nexperia product is automotive qualified, the product is not suitable for automotive use. It is neither qualified nor tested in accordance with automotive testing or application requirements. Nexperia accepts no liability for inclusion and/or use of non-automotive qualified products in automotive equipment or applications.

In the event that customer uses the product for design-in and use in automotive applications to automotive specifications and standards, customer (a) shall use the product without Nexperia's warranty of the product for such automotive applications, use and specifications, and (b) whenever customer uses the product for automotive applications beyond Nexperia's specifications such use shall be solely at customer's own risk, and (c) customer fully indemnifies Nexperia for any liability, damages or failed product claims resulting from customer design and use of the product for automotive applications beyond Nexperia's standard warranty and Nexperia's product specifications.

Translations — A non-English (translated) version of a document is for reference only. The English version shall prevail in case of any discrepancy between the translated and English versions.

Trademarks

Notice: All referenced brands, product names, service names and trademarks are the property of their respective owners.

Contents

1. General description	1
2. Features and benefits	1
3. Ordering information	1
4. Functional diagram	2
5. Pinning information	3
5.1. Pinning.....	3
5.2. Pin description.....	4
6. Functional description	4
7. Limiting values	5
8. Recommended operating conditions	5
9. Static characteristics	5
10. Dynamic characteristics	8
10.1. Waveforms and test circuit.....	9
11. Package outline	12
12. Abbreviations	13
13. Revision history	13
14. Legal information	14

© Nexperia B.V. 2020. All rights reserved

For more information, please visit: <http://www.nexperia.com>
For sales office addresses, please send an email to: salesaddresses@nexperia.com
Date of release: 19 October 2020

X-ON Electronics

Largest Supplier of Electrical and Electronic Components

Click to view similar products for [Flip Flops](#) category:

Click to view products by [NXP](#) manufacturer:

Other Similar products are found below :

[5962-8955201EA](#) [MC74HC11ADTG](#) [MC74HC11ADTR2G](#) [NLV14013BDTR2G](#) [NLV14027BDG](#) [NLX1G74MUTCG](#) [703557B](#) [746431H](#)
[5962-90606022A](#) [5962-9060602FA](#) [NLV14013BDR2G](#) [M38510/30104BDA](#) [M38510/07106BFA](#) [M38510/06102BFA](#) [M38510/06101B2A](#)
[NLV74HC74ADR2G](#) [NLV14013BDG](#) [NLV74AC32DR2G](#) [NLV74AC74DR2G](#) [CY74FCT16374CTPACT](#) [74VHCT9273FT\(BJ\)](#)
[MC74HC73ADG](#) [MC74HC11ADR2G](#) [74LVT74D,118](#) [MM74HC374WM](#) [TC7WZ74FK,LJ\(CT](#) [JM38510/30106BEA](#) [CD40174BF3A](#)
[HMC853LC3TR](#) [HMC723LC3CTR](#) [MM74HCT574MTCX](#) [MM74HCT273WM](#) [SN74LVC74APW](#) [SN74LVC74AD](#) [MC74HC73ADTR2G](#)
[MC74HC11ADG](#) [SN74ALVTH16374GR](#) [M74HCT273B1R](#) [M74HC377RM13TR](#) [M74HC374RM13TR](#) [M74HC175B1R](#)
[M74HC174RM13TR](#) [74ALVTH16374ZQLR](#) [74ALVTH32374ZKER](#) [74AUP1G74DC,125](#) [74VHC374FT\(BJ\)](#) [74VHC9273FT\(BJ\)](#)
[NLV14013BCPG](#) [74VHCV374FT\(BJ\)](#) [74VHCV574FT\(BJ\)](#)