

ADTJA1101-RMII

TJA1101 Adapter Card

User Guide

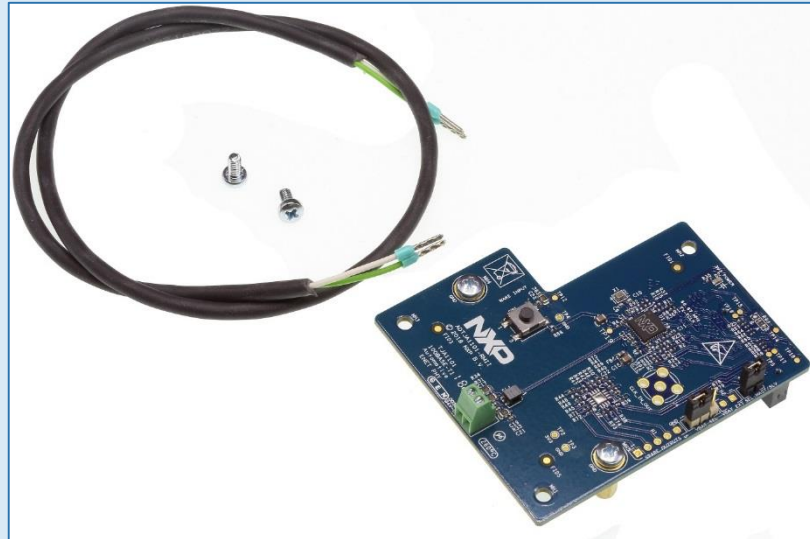
September 2018



ADTJA1101-RMII – Getting started

Components in the box:

- Board: [ADTJA1101-RMII](#)
- Cable: 0.5m of jacketed Unshielded Twisted Pair (UTP), automotive grade



Get additional documentation for

- ADTJA1101-RMII
 - Gerber
 - Schematics / BoM
- TJA1101
 - Datasheet
 - Application Hints
 - Etc...

from NXP's document repository

→ www.docstore.nxp.com

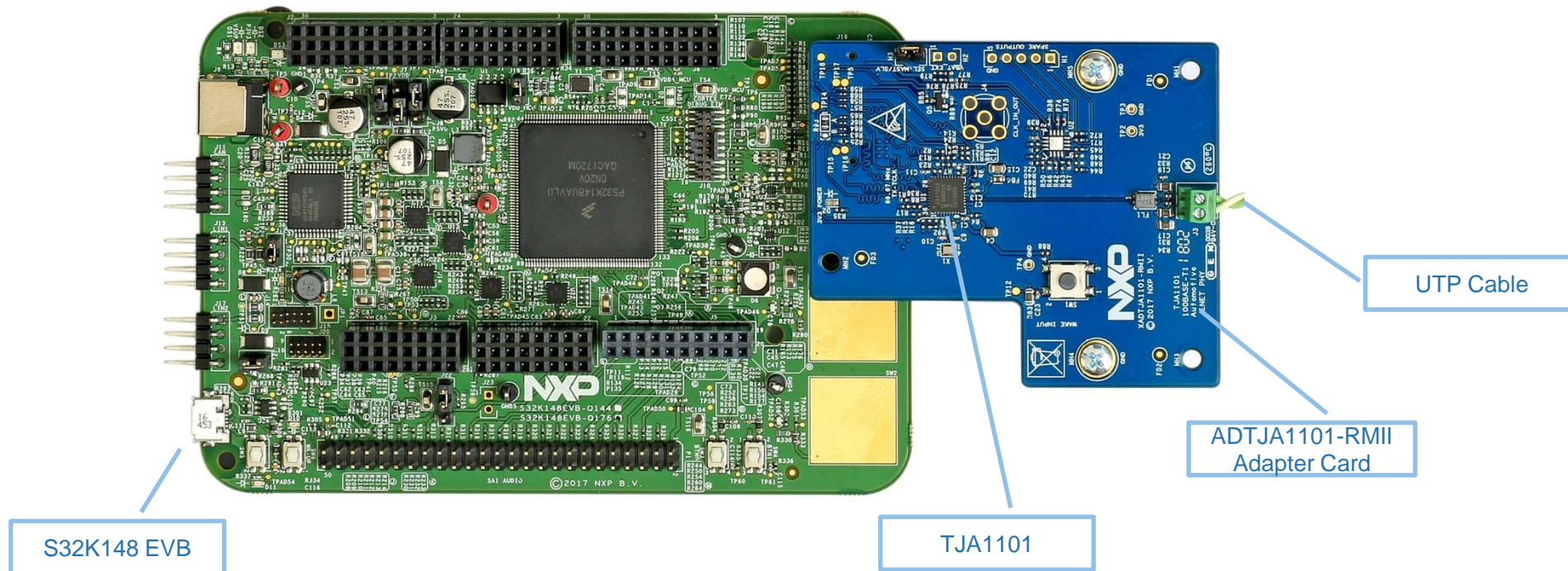
- Register (NDA required) / Login
- Navigate:
 - Products → In-Vehicle Networking → Automotive Ethernet → ADTJA1101-RMII

SABRE Connector

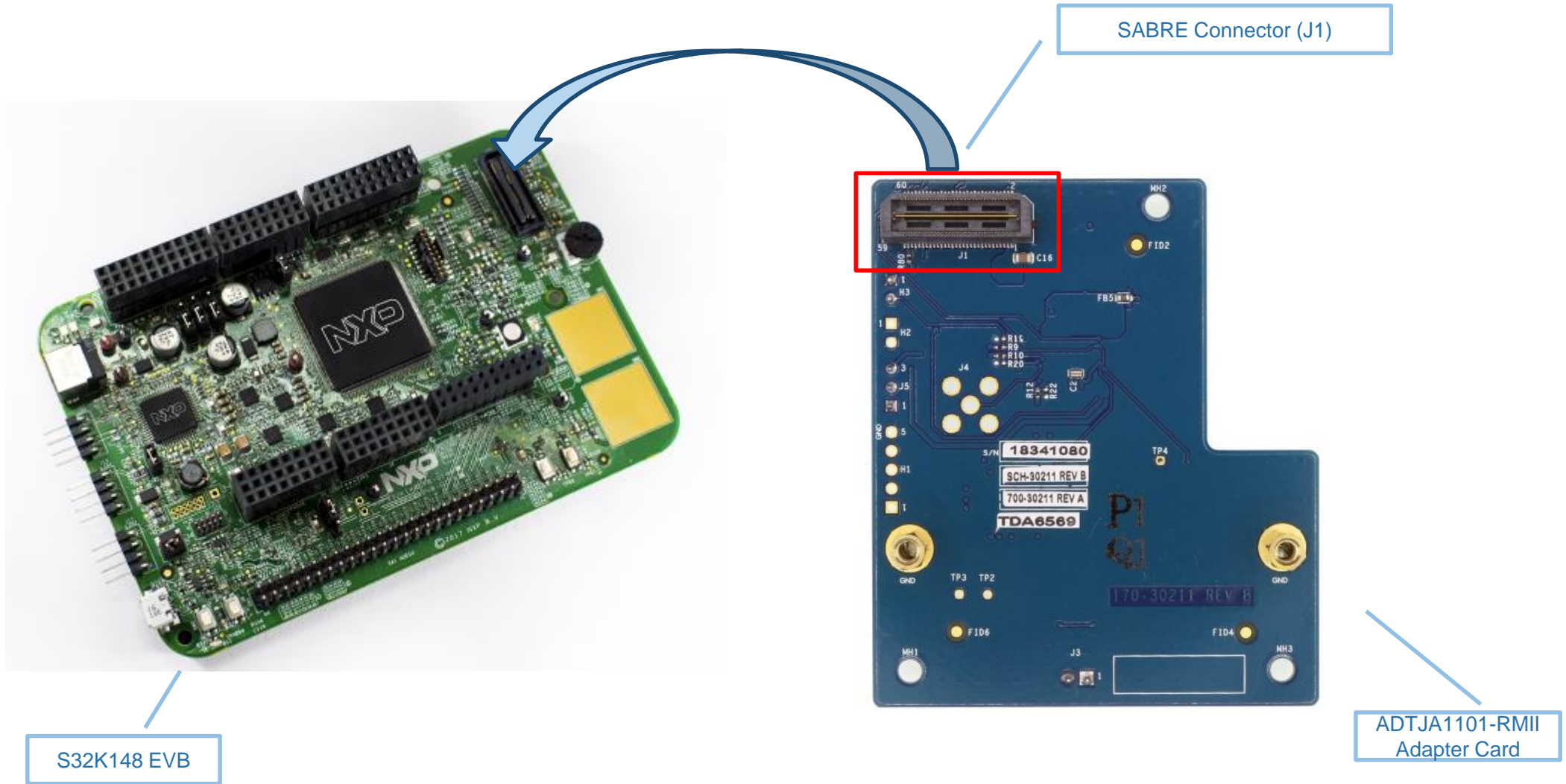
- [SABRE = Smart Application Blueprint for Rapid Engineering](#)
- Accelerate your time to market with our premiere series of market-focused development systems based on application controllers: Smart Application Blueprint for Rapid Engineering (SABRE). SABRE platforms deliver the advanced technology features required for next-generation automotive systems.

ADTJA1101-RMII – Application

- The [ADTJA1101-RMII](#) is a daughter card carrying NXP's [TJA1101](#) 100BASE-T1 Ethernet PHY
- It adapts to micro controller development boards with SABRE connector, e.g. [S32K148EVB](#)
- The full TJA110x driver set is supported by the [S32K148EVB SDK](#).



How to connect the SABRE enabled Boards



S32K148 EVB

SABRE Connector (J1)

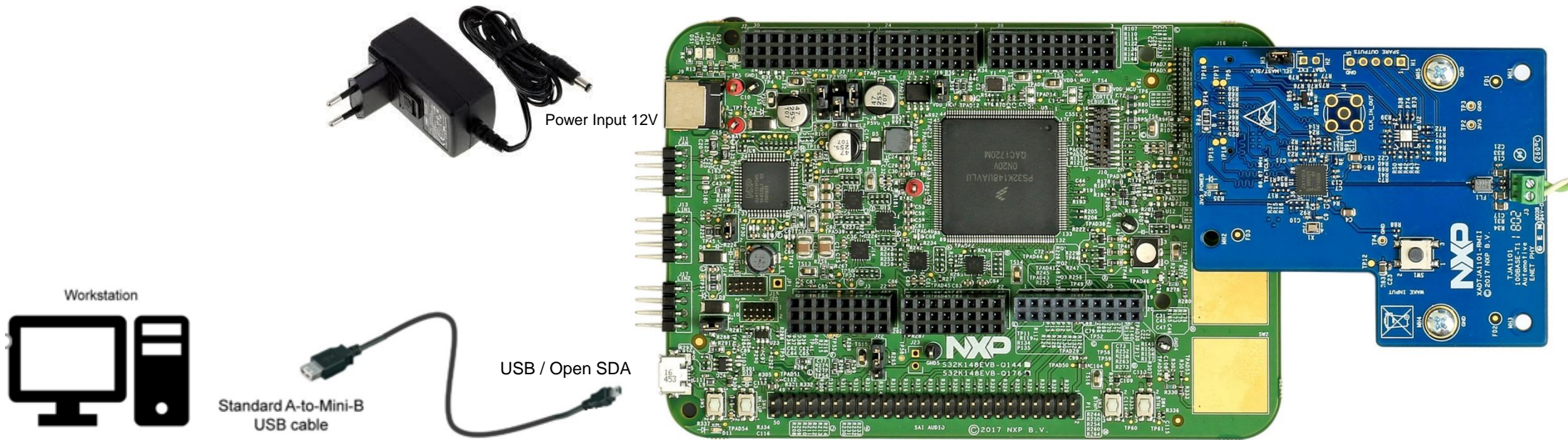
ADTJA1101-RMII
Adapter Card

ADTJA1101-RMII Power Up

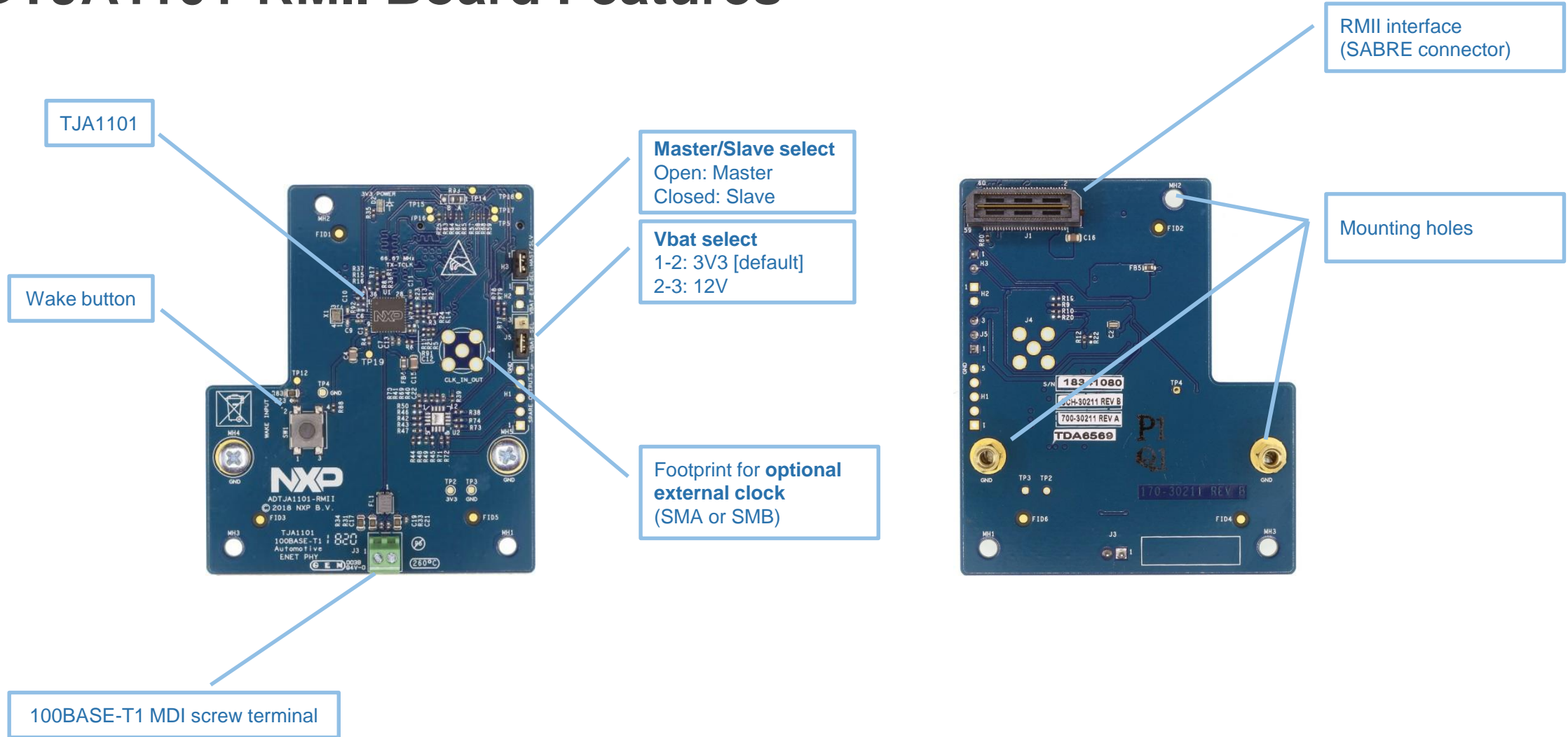
Power input options:

- Power Input 12V
- USB / Open SDA

For Jumper Settings please refer to [S32K148EVB Quick Start Guide](#)

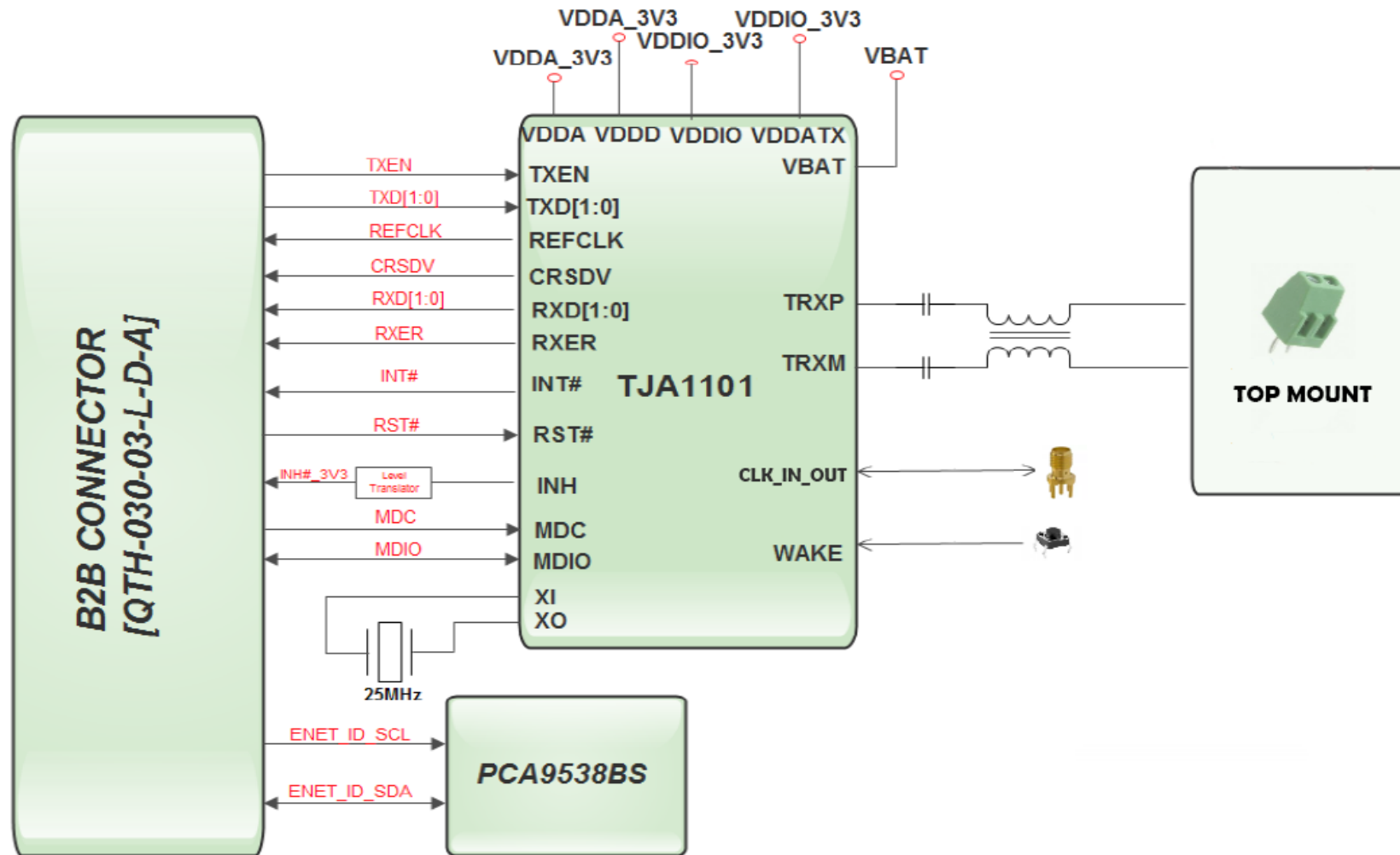


ADTJA1101-RMII Board Features



For configuration options of TJA1101 → please refer to [product data sheet](#)

ADTJA1101-RMII Block Diagram



TJA110x driver pre-integration with S32K SDK

- Production grade driver support is pre-integrated with SDKs for NXP microcontrollers
- GUI configuration support in S32 Design Studio IDE
→ see screenshot
- Supports TJA1100, TJA1101 and TJA1102(S)
 - Support for generic PHY devices using IEEE registers
- Currently supported by:
 - S32K SDK v0.8.6
 - MPC574x SDK v0.9.0
 - i.MX8 SDK (planned)
- [Download](#) S32K SDK

GUI Driver Configuration

PHYs Shared components

PHYs list

#	PHY	PHY Type	Address	PHY Location	PHY Role	ENET instance
0	<input checked="" type="checkbox"/>	TJA110x	1	External	Master	0
1	<input checked="" type="checkbox"/>	TJA110x	2	External	Slave	0
2	<input checked="" type="checkbox"/>	TJA110x	3	External	Master	0
3	<input checked="" type="checkbox"/>	TJA110x	4	External	Master	0
4	<input checked="" type="checkbox"/>	Generic	8	External	Automatic conf...	0

Details for selected row:

PHY 4

PHY Type: Generic

Address: 8

PHY Location: External

PHY Role: Automatic configuration, i.e. use the def...

ENET instance: 0

Link Up Event Callback:

Link Down Event Callback:

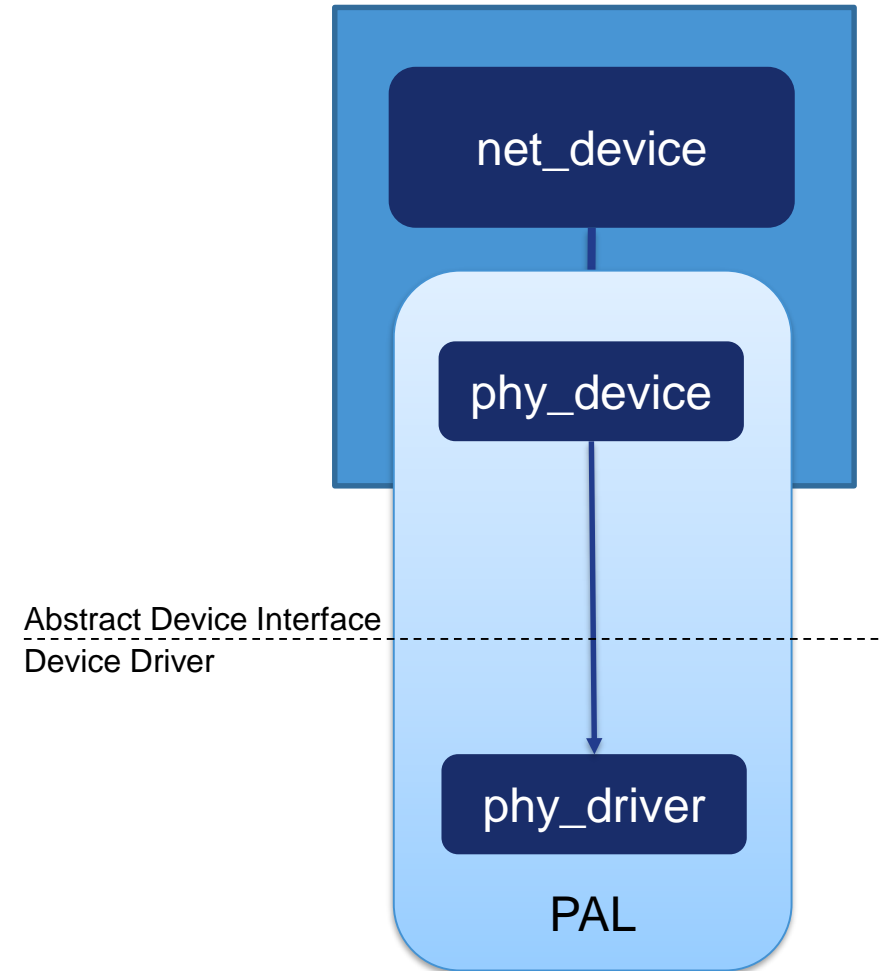
Auto-negotiation Complete Event Callback:

Linux Driver for TJA110X

- Single Linux driver for TJA110x
- Integrates into Linux' PHY Abstraction Layer (PAL)
- Extended with automotive features
 - Support for Managed and Autonomous Mode
 - Master/Slave configuration
 - Cable Test
 - LED, Loopback and Test Modes
 - Sleep and Wakeup
- Implements polling of interrupt status register
 - Warning about and reaction to failure conditions

→ Download [here](#)

→ FAQ [here](#)



ADTJA1101-RMII Compatible Controller Boards

- [S32K148EVB: S32K148 Evaluation Board](#)
 - Low-cost evaluation platform and development system for quick application prototyping with the S32K148 MCU belonging to the S32K series of Ultra-Reliable Microcontrollers (MCUs).

- i.MX8 (board to be released soon)



NXP Link Partner Boards for 100BASE-T1 System Setup

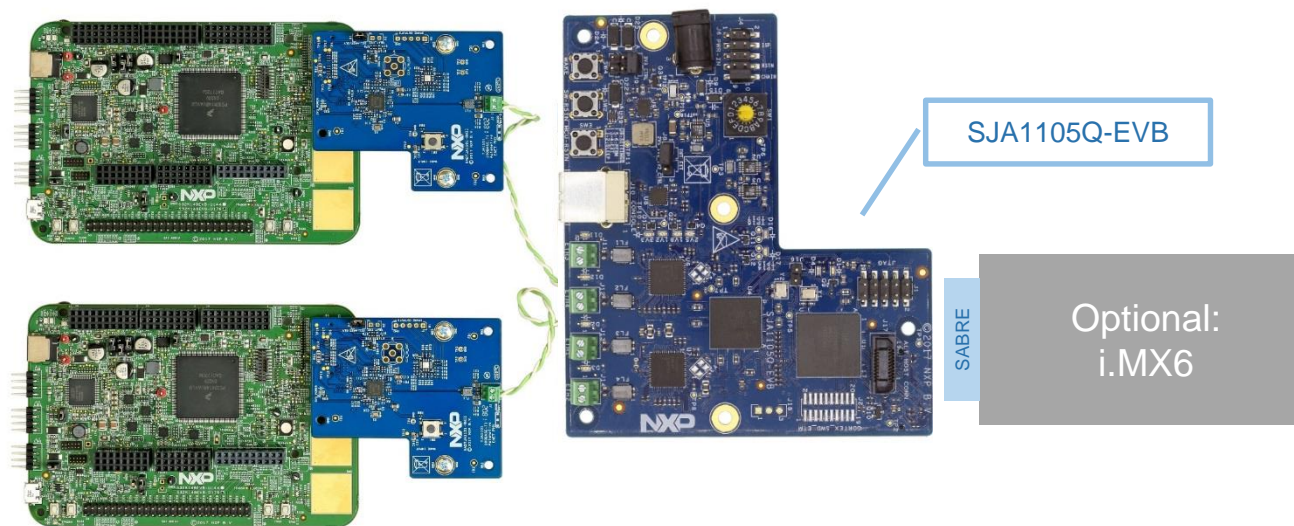
- [SJA1105SMBEVM](#): Gateway Prototyping Platform
 - Enables early SW development for SJA1105P/Q/R/S Automotive Ethernet switch family and the TJA1102 Automotive Ethernet PHYs on a market-leading Automotive MPC5748xG MCU.
- [SJA1105Q-EVB](#): Ethernet Switch & PHY Evaluation Board
 - An evaluation system that supports the SJA1105P/Q/R/S Automotive Ethernet switch family in conjunction with the TJA1102HN Ethernet PHY Transceiver.
- [OM14500/TJA1101](#): 100BASE-T1 PHY Evaluation Board
 - Low-cost hardware development tool which supports the functional evaluation of the 100BASE-T1 PHY transceiver TJA1101.
- [FibreCode FC602 USB OABR Stick](#):
 - The FC602 USB OABR Stick functions as seamless media converter between a standard USB 2.0 interface and an automotive Ethernet network. On Windows and Linux host PCs the USB OABR Stick is detected as standard Ethernet device.



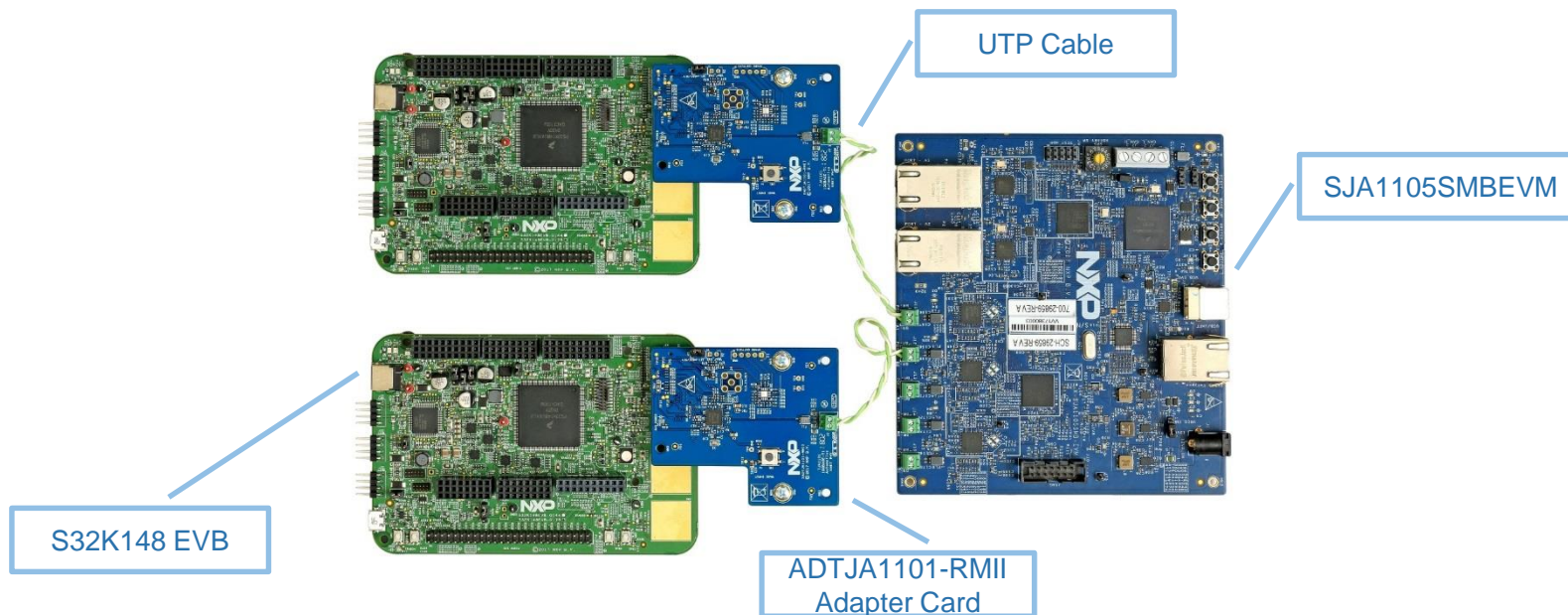
... ADTJA1101-RMII is generally interoperable to any other 100BASE-T1 link partner

ADTJA1101-RMII Connected System Examples

#1



#2



NXP

SECURE CONNECTIONS
FOR A SMARTER WORLD



X-ON Electronics

Largest Supplier of Electrical and Electronic Components

Click to view similar products for [Ethernet Development Tools](#) category:

Click to view products by [NXP](#) manufacturer:

Other Similar products are found below :

[KSZ8081RNB-EVAL](#) [KSZ8863FLL-EVAL](#) [KSZ8873MLL-EVAL](#) [PD-IM-7648M](#) [PD-IM-7648T4](#) [PD70101EVB15F-12](#) [PD70101EVB6F](#)
[PD70211EVB50FW-5](#) [PD70211EVB72FW-12](#) [EV44F42A](#) [DP83620-EVK/NOPB](#) [KSZ8031RNL-EVAL](#) [WIZ550S2E-232-EVB](#) [DFR0272](#)
[A000024](#) [DFR0125](#) [UKIT-006GP](#) [UKIT-003FE](#) [UKIT-002GB](#) [UKIT-001FE](#) [EVB-KSZ9477](#) [OM-E-ETH](#) [DP83867ERGZ-R-EVM](#) [UP-](#)
[POE-A20-0001](#) [2971](#) [3785](#) [ASX00006](#) [ASX00021](#) [ASX00026](#) [XTIB-E](#) [ESP32-ETHERNET-KIT-VE](#) [EVB-KSZ9897-1](#) [KSZ9031MNX-](#)
[EVAL](#) [AC164121](#) [AC164123](#) [AC164132](#) [AC320004-5](#) [AC320004-6](#) [AC320004-7](#) [DM320114](#) [DM990004](#) [EV02N47A](#) [EV44C93A](#)
[EV57N07A](#) [EVB-KSZ8563](#) [EVB-KSZ9477-1](#) [EVB-KSZ9893](#) [EVB-LAN7430](#) [EVB-LAN7431-EDS](#) [EVB-LAN7800LC-1](#)