

56F803 Datasheet with Addendum

Rev.17 of the 56F803 Datasheet has two parts:

- The addendum to revision 16 of the datasheet, immediately following this cover page.
- Revision 16 of the datasheet, following the addendum. The changes described in the addendum have not been implemented in the specified pages.

Addendum to Rev. 16 of the 56F803 datasheet

This addendum identifies changes to Rev.16 of the 56F803 datasheet. The changes described in this addendum have not been implemented in the specified pages.

1 Update the incomplete Thermal Design Considerations section

Location: Section 5.1, Page 51

Thermal Considerations section in 56F803 datasheet Rev.16 is incomplete. The complete Thermal Design Consideration section should be as follows:

An estimation of the chip junction temperature, T_J , in °C can be obtained from the equation:

$$T_J = T_A + (P_D \times R_{\theta JA}) \quad \text{Eqn. 1}$$

where:

T_A = ambient temperature °C

$R_{\theta JA}$ = package junction-to-ambient thermal resistance °C/W

P_D = power dissipation in package

Historically, thermal resistance has been expressed as the sum of a junction-to-case thermal resistance and a case-to-ambient thermal resistance:

$$R_{\theta JA} = R_{\theta JC} + R_{\theta CA} \quad \text{Eqn. 2}$$

where

$R_{\theta JA}$ = package junction-to-ambient thermal resistance °C/W

$R_{\theta JC}$ = package junction-to-case thermal resistance °C/W

$R_{\theta CA}$ = package case-to-ambient thermal resistance °C/W

$R_{\theta JC}$ is device-related and cannot be influenced by the user. The user controls the thermal environment to change the case-to-ambient thermal resistance, $R_{\theta CA}$. For example, the user can change the air flow around the device, add a heat sink, change the mounting arrangement on the Printed Circuit Board (PCB), or otherwise change the thermal dissipation capability of the area surrounding the device on the PCB. This model is most useful for ceramic packages with heat sinks; some 90% of the heat flow is dissipated through the case to the heat sink and out to the ambient environment. For ceramic packages, in situations where the heat flow is split between a path to the case and an alternate path through the PCB, analysis of the device thermal performance may need the additional modeling capability of a system level thermal simulation tool.

The thermal performance of plastic packages is more dependent on the temperature of the PCB to which the package is mounted. Again, if the estimations obtained from $R_{\theta JA}$ do not satisfactorily answer whether the thermal performance is adequate, a system level model may be appropriate.

Definitions

A complicating factor is the existence of three common definitions for determining the junction-to-case thermal resistance in plastic packages:

- Measure the thermal resistance from the junction to the outside surface of the package (case) closest to the chip mounting area when that surface has a proper heat sink. This is done to minimize temperature variation across the surface.
- Measure the thermal resistance from the junction to where the leads are attached to the case. This definition is approximately equal to a junction to board thermal resistance.
- Use the value obtained by the equation $(T_J - T_T)/P_D$ where T_T is the temperature of the package case determined by a thermocouple.

The thermal characterization parameter is measured per JESD51-2 specification using a 40-gauge type T thermocouple epoxied to the top center of the package case. The thermocouple should be positioned so that the thermocouple junction rests on the package. A small amount of epoxy is placed over the thermocouple junction and over about 1mm of wire extending from the junction. The thermocouple wire is placed flat against the package case to avoid measurement errors caused by cooling effects of the thermocouple wire.

When heat sink is used, the junction temperature is determined from a thermocouple inserted at the interface between the case of the package and the interface material. A clearance slot or hole is normally required in the heat sink. Minimizing the size of the clearance is important to minimize the change in thermal performance caused by removing part of the thermal interface to the heat sink. Because of the experimental difficulties with this technique, many engineers measure the heat sink temperature and then back-calculate the case temperature using a separate measurement of the thermal resistance of the

interface. From this case temperature, the junction temperature is determined from the junction-to-case thermal resistance.

2 Add missing Electrical Design Considerations section

Location: [Section 5.2, Page 52](#)

CAUTION

This device contains protective circuitry to guard against damage due to high static voltage or electrical fields. However, normal precautions are advised to avoid application of any voltages higher than maximum rated voltages to this high-impedance circuit. Reliability of operation is enhanced if unused inputs are tied to an appropriate voltage level.

Use the following list of considerations to assure correct DSP operation:

- Provide a low-impedance path from the board power supply to each VDD pin on the DSP, and from the board ground to each VSS (GND) pin.
- The minimum bypass requirement is to place six 0.01–0.1 mF capacitors positioned as close as possible to the package supply pins. The recommended bypass configuration is to place one bypass capacitor on each of the seven VDD/VSS pairs, including VDDA/VSSA. The VCAP capacitors must be 150 milliohm or less ESR capacitors.
- Ensure that capacitor leads and associated printed circuit traces that connect to the chip VDD and VSS (GND) pins are less than 0.5 inch per capacitor lead.
- Use at least a four-layer Printed Circuit Board (PCB) with two inner layers for VDD and VSS .
- Bypass the VDD and VSS layers of the PCB with approximately 100 mF, preferably with a highgrade capacitor such as a tantalum capacitor.
- Because the DSP output signals have fast rise and fall times, PCB trace lengths should be minimal

3 Add missing Ordering part section

Location: [Section 6, Page 53](#)

Table 1 lists the pertinent information needed to place an order. Consult a Freescale Semiconductor sales office or authorized distributor to determine availability and to order parts.

Table 1. 56F803 Ordering Information

Part	Supply Voltage	Package Type	Pin Count	Ambient Frequency (MHz)	Order Number
56F803	3.0–3.6 V	Low Profile Plastic Quad Flat Pack (LQFP)	100	80	DSP56F803BU80

Table 1. 56F803 Ordering Information

Part	Supply Voltage	Package Type	Pin Count	Ambient Frequency (MHz)	Order Number
56F803	3.0–3.6 V	Low Profile Plastic Quad Flat Pack (LQFP)	100	80	DSP56F803BU80E ¹

¹ This package is RoHS compliant

56F803

Data Sheet

Preliminary Technical Data

56F800
16-bit Digital Signal Controllers

DSP56F803
Rev. 16
09/2007

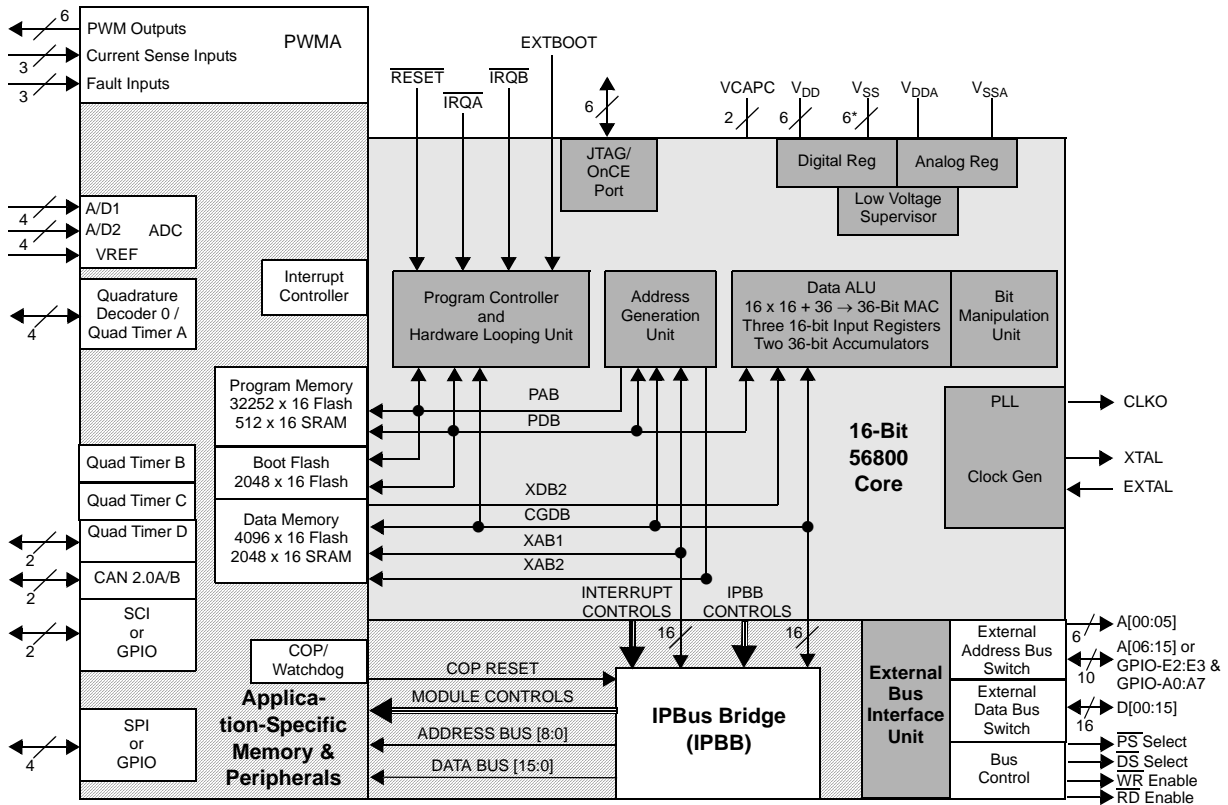
freescale.com

Document Revision History

Version History	Description of Change
Rev. 16	Added revision history. Added this text to footnote 2 in Table 3-8 : "However, the high pulse width does not have to be any particular percent of the low pulse width."

56F803 General Description

- Up to 40 MIPS at 80MHz core frequency
- DSP and MCU functionality in a unified, C-efficient architecture
- Hardware DO and REP loops
- MCU-friendly instruction set supports both DSP and controller functions: MAC, bit manipulation unit, 14 addressing modes
- 31.5K × 16-bit words (64KB) Program Flash
- 512 × 16-bit words (1KB) Program RAM
- 4K × 16-bit words (8KB) Data Flash
- 2K × 16-bit words (4KB) Data RAM
- 2K × 16-bit words (4KB) Boot Flash
- Up to 64K × 16-bit words each of external Program and Data memory
- 6-channel PWM module
- Two 4-channel 12-bit ADCs
- Quadrature Decoder
- CAN 2.0 B module
- Serial Communication Interface (SCI)
- Serial Peripheral Interface (SPI)
- Up to two General Purpose Quad Timers
- JTAG/OnCE™ port for debugging
- 16 shared GPIO lines
- 100-pin LQFP package



56F803 Block Diagram

*includes TCS pin which is reserved for factory use and is tied to VSS

Part 1 Overview

1.1 56F803 Features

1.1.1 Processing Core

- Efficient 16-bit 56800 family controller engine with dual Harvard architecture
- As many as 40 Million Instructions Per Second (MIPS) at 80MHz core frequency
- Single-cycle 16×16 -bit parallel Multiplier-Accumulator (MAC)
- Two 36-bit accumulators, including extension bits
- 16-bit bidirectional barrel shifter
- Parallel instruction set with unique processor addressing modes
- Hardware DO and REP loops
- Three internal address buses and one external address bus
- Four internal data buses and one external data bus
- Instruction set supports both DSP and controller functions
- Controller style addressing modes and instructions for compact code
- Efficient C compiler and local variable support
- Software subroutine and interrupt stack with depth limited only by memory
- JTAG/OnCE debug programming interface

1.1.2 Memory

- Harvard architecture permits as many as three simultaneous accesses to Program and Data memory
- On-chip memory including a low-cost, high-volume Flash solution
 - $31.5K \times 16$ -bit words of Program Flash
 - $512K \times 16$ -bit words of Program RAM
 - $4K \times 16$ -bit words of Data Flash
 - $2K \times 16$ -bit words of Data RAM
 - $2K \times 16$ -bit words of Boot Flash
- Off-chip memory expansion capabilities programmable for 0, 4, 8, or 12 wait states
 - As much as $64K \times 16$ bits of Data memory
 - As much as $64K \times 16$ bits of Program memory

1.1.3 Peripheral Circuits for 56F803

- Pulse Width Modulator module (PWM) with six PWM outputs, three Current Sense inputs, and three Fault inputs, fault-tolerant design with dead time insertion, supports both center- and edge- aligned modes, supports Freescale's patented dead time distortion correction
- Two 12-bit Analog-to-Digital Converters (ADCs), which support two simultaneous conversions; ADC and PWM modules can be synchronized
- Quadrature Decoder with four inputs (shares pins with Quad Timer)

- Four General Purpose Quad Timers: Timer A (sharing pins with Quad Dec0), Timers B & C without external pins and Timer D with two pins
- CAN 2.0 B module with 2-pin ports for transmit and receive
- Serial Communication Interface (SCI) with two pins (or two additional GPIO lines)
- Serial Peripheral Interface (SPI) with configurable 4-pin port (or four additional GPIO lines)
- Computer Operating Properly (COP) Watchdog timer
- Two dedicated external interrupt pins
- Sixteen multiplexed General Purpose I/O (GPIO) pins
- External reset input pin for hardware reset
- JTAG/On-Chip Emulation (OnCE™) for unobtrusive, processor speed-independent debugging
- Software-programmable, Phase Locked Loop-based frequency synthesizer for the controller core clock

1.1.4 Energy Information

- Fabricated in high-density CMOS with 5V-tolerant, TTL-compatible digital inputs
- Uses a single 3.3V power supply
- On-chip regulators for digital and analog circuitry to lower cost and reduce noise
- Wait and Stop modes available

1.2 56F803 Description

The 56F803 is a member of the 56800 core-based family of processors. It combines, on a single chip, the processing power of a DSP and the functionality of a microcontroller with a flexible set of peripherals to create an extremely cost-effective solution. Because of its low cost, configuration flexibility, and compact program code, the 56F803 is well-suited for many applications. The 56F803 includes many peripherals that are especially useful for applications such as motion control, smart appliances, steppers, encoders, tachometers, limit switches, power supply and control, automotive control, engine management, noise suppression, remote utility metering, and industrial control for power, lighting, and automation.

The 56800 core is based on a Harvard-style architecture consisting of three execution units operating in parallel, allowing as many as six operations per instruction cycle. The MCU-style programming model and optimized instruction set allow straightforward generation of efficient, compact device and control code. The instruction set is also highly efficient for C compilers to enable rapid development of optimized control applications.

The 56F803 supports program execution from either internal or external memories. Two data operands can be accessed from the on-chip Data RAM per instruction cycle. The 56F803 also provides two external dedicated interrupt lines, and up to 16 General Purpose Input/Output (GPIO) lines, depending on peripheral configuration.

The 56F803 controller includes 31.5K words (16-bit) of Program Flash and 4K words of Data Flash (each programmable through the JTAG port) with 512 words of Program RAM and 2K words of Data RAM. It also supports program execution from external memory.

A total of 2K words of Boot Flash is incorporated for easy customer-inclusion of field-programmable

software routines that can be used to program the main Program and Data Flash memory areas. Both Program and Data Flash memories can be independently bulk-erased or erased in page sizes of 256 words. The Boot Flash memory can also be either bulk- or page-erased.

A key application-specific feature of the 56F803 is the inclusion of a Pulse Width Modulator (PWM) module. This module incorporates three complementary, individually programmable PWM signal outputs (the module is also capable of supporting three independent PWM functions, for a total of six PWM outputs) to enhance motor control functionality. Complementary operation permits programmable dead time insertion, distortion correction via current sensing by software, and separate top and bottom output polarity control. The up-counter value is programmable to support a continuously variable PWM frequency. Edge- and center-aligned synchronous pulse width control (0% to 100% modulation) is supported. The device is capable of controlling most motor types: ACIM (AC Induction Motors), both BDC and BLDC (Brush and Brushless DC motors), SRM and VRM (Switched and Variable Reluctance Motors), and stepper motors. The PWM incorporates fault protection and cycle-by-cycle current limiting with sufficient output drive capability to directly drive standard opto-isolators. A “smoke-inhibit”, write-once protection feature for key parameters and patented PWM waveform distortion correction circuit are also provided. The PWM is double-buffered and includes interrupt controls to permit integral reload rates to be programmable from 1 to 16. The PWM module provides a reference output to synchronize the ADC.

The 56F803 incorporates a separate Quadrature Decoder capable of capturing all four transitions on the two-phase inputs, permitting generation of a number proportional to actual position. Speed computation capabilities accommodate both fast and slow moving shafts. The integrated watchdog timer in the Quadrature Decoder can be programmed with a time-out value to alarm when no shaft motion is detected. Each input is filtered to ensure only true transitions are recorded.

This controller also provides a full set of standard programmable peripherals that include a Serial Communications Interface (SCI), one Serial Peripheral Interface (SPI), and four Quad Timers. Any of these interfaces can be used as General Purpose Input/Outputs (GPIO) if that function is not required. A Controller Area Network interface (CAN Version 2.0 A/B-compliant) and an internal interrupt controller are also included on the 56F803.

1.3 State of the Art Development Environment

- Processor Expert™ (PE) provides a Rapid Application Design (RAD) tool that combines easy-to-use component-based software application creation with an expert knowledge system.
- The Code Warrior Integrated Development Environment is a sophisticated tool for code navigation, compiling, and debugging. A complete set of evaluation modules (EVMs) and development system cards will support concurrent engineering. Together, PE, Code Warrior and EVMs create a complete, scalable tools solution for easy, fast, and efficient development.

1.4 Product Documentation

The four documents listed in [Table 1-1](#) are required for a complete description and proper design with the 56F803. Documentation is available from local Freescale distributors, Freescale Semiconductor sales offices, Freescale Literature Distribution Centers, or online at: www.freescale.com

Table 1-1 56F803 Chip Documentation

Topic	Description	Order Number
56800E Family Manual	Detailed description of the 56800 family architecture, and 16-bit core processor and the instruction set	56800EFM
DSP56F801/803/805/807 User's Manual	Detailed description of memory, peripherals, and interfaces of the 56F801, 56F803, 56F803, and 56F807	DSP56F801-7UM
56F803 Technical Data Sheet	Electrical and timing specifications, pin descriptions, and package descriptions (this document)	DSP56F803
56F803 Errata	Details any chip issues that might be present	DSP56F803E

1.5 Data Sheet Conventions

This data sheet uses the following conventions:

OVERBAR This is used to indicate a signal that is active when pulled low. For example, the $\overline{\text{RESET}}$ pin is active when low.

"asserted" A high true (active high) signal is high or a low true (active low) signal is low.

"deasserted" A high true (active high) signal is low or a low true (active low) signal is high.

Examples:	Signal/Symbol	Logic State	Signal State	Voltage ¹
	$\overline{\text{PIN}}$	True	Asserted	$V_{\text{IL}}/V_{\text{OL}}$
	$\overline{\text{PIN}}$	False	Deasserted	$V_{\text{IH}}/V_{\text{OH}}$
	PIN	True	Asserted	$V_{\text{IH}}/V_{\text{OH}}$
	PIN	False	Deasserted	$V_{\text{IL}}/V_{\text{OL}}$

1. Values for V_{IL} , V_{OL} , V_{IH} , and V_{OH} are defined by individual product specifications.

Part 2 Signal/Connection Descriptions

2.1 Introduction

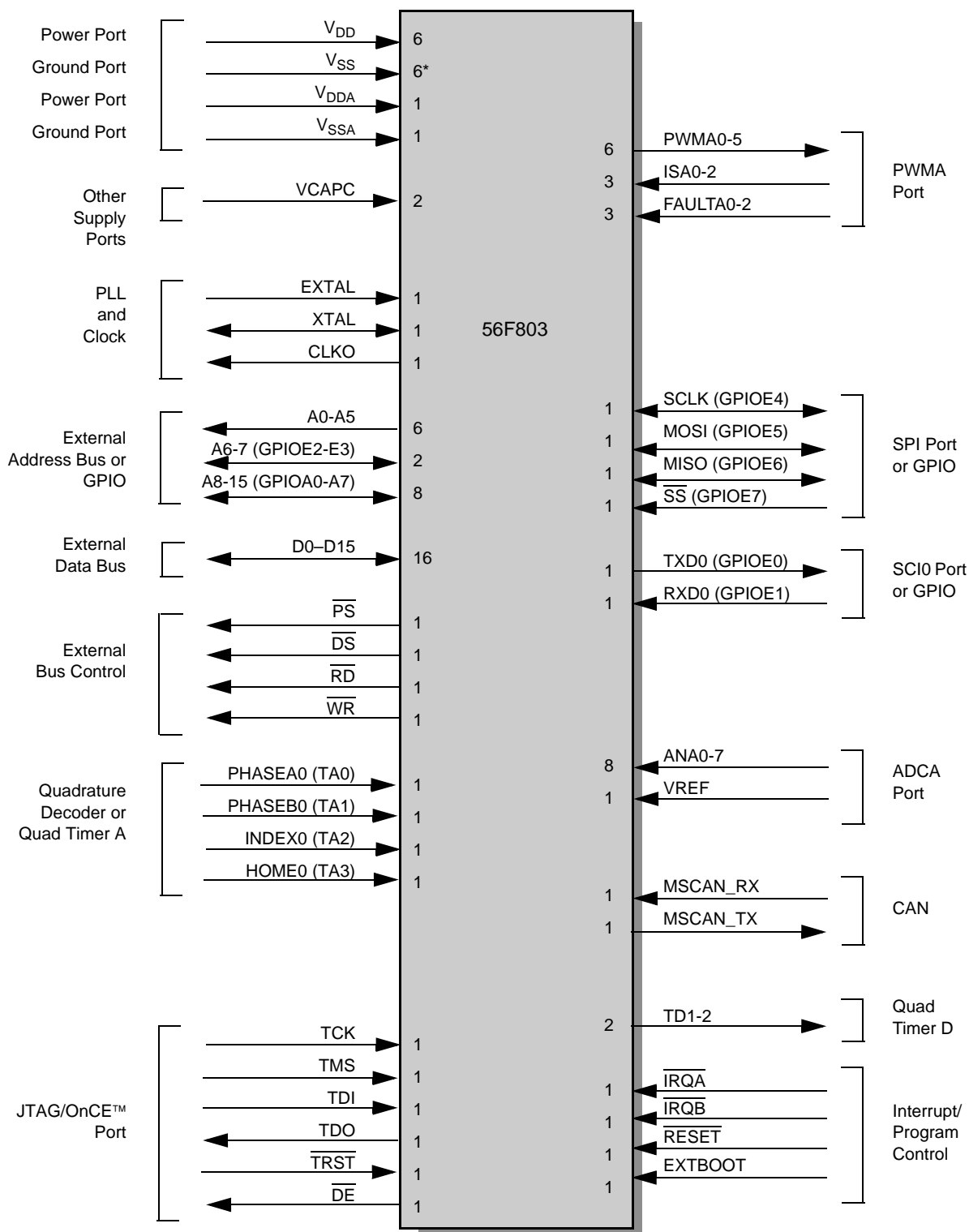
The input and output signals of the 56F803 are organized into functional groups, as shown in [Table 2-1](#) and as illustrated in [Figure 2-1](#). In [Table 2-2](#) through [Table 2-17](#), each table row describes the signal or signals present on a pin.

Table 2-1 Functional Group Pin Allocations

Functional Group	Number of Pins	Detailed Description
Power (V_{DD} or V_{DDA})	7	Table 2-2
Ground (V_{SS} or V_{SSA})	7	Table 2-3
Supply Capacitors	2	Table 2-4
PLL and Clock	3	Table 2-5
Address Bus ¹	16	Table 2-6
Data Bus	16	Table 2-7
Bus Control	4	Table 2-8
Interrupt and Program Control	4	Table 2-9
Pulse Width Modulator (PWM) Port	12	Table 2-10
Serial Peripheral Interface (SPI) Port ¹	4	Table 2-11
Quadrature Decoder Port ²	4	Table 2-12
Serial Communications Interface (SCI) Port ¹	2	Table 2-13
CAN Port	2	Table 2-14
Analog to Digital Converter (ADC) Port	9	Table 2-15
Quad Timer Module Port	2	Table 2-16
JTAG/On-Chip Emulation (OnCE)	6	Table 2-17

1. Alternately, GPIO pins

2. Alternately, Quad Timer pins



*includes TCS pin which is reserved for factory use and is tied to VSS

Figure 2-1 56F803 Signals Identified by Functional Group¹

1. Alternate pin functionality is shown in parenthesis.

2.2 Power and Ground Signals

Table 2-2 Power Inputs

No. of Pins	Signal Name	Signal Description
6	V _{DD}	Power —These pins provide power to the internal structures of the chip, and should all be attached to V _{DD} .
1	V _{DDA}	Analog Power —This pin is a dedicated power pin for the analog portion of the chip and should be connected to a low noise 3.3V supply.

Table 2-3 Grounds

No. of Pins	Signal Name	Signal Description
5	V _{SS}	GND —These pins provide grounding for the internal structures of the chip, and should all be attached to V _{SS} .
1	V _{SSA}	Analog Ground —This pin supplies an analog ground.
1	TCS	TCS —This Schmitt pin is reserved for factory use and must be tied to V _{SS} for normal use. In block diagrams, this pin is considered an additional V _{SS} .

Table 2-4 Supply Capacitors

No. of Pins	Signal Name	Signal Type	State During Reset	Signal Description
2	VCAPC	Supply	Supply	VCAPC —Connect each pin to a 2.2 μF or greater bypass capacitor in order to bypass the core logic voltage regulator (required for proper chip operation). For more information, please refer to Section 5.2 .

2.3 Clock and Phase Locked Loop Signals

Table 2-5 PLL and Clock

No. of Pins	Signal Name	Signal Type	State During Reset	Signal Description
1	EXTAL	Input	Input	External Crystal Oscillator Input —This input should be connected to an 8MHz external crystal or ceramic resonator. For more information, please refer to Section 3.5 .
1	XTAL	Input/Output	Chip-driven	<p>Crystal Oscillator Output—This output should be connected to an 8MHz external crystal or ceramic resonator. For more information, please refer to Section 3.5.</p> <p>This pin can also be connected to an external clock source. For more information, please refer to Section 3.5.3.</p>
1	CLKO	Output	Chip-driven	Clock Output —This pin outputs a buffered clock signal. By programming the CLKOSSEL[4:0] bits in the CLKO Select Register (CLKOSR), the user can select between outputting a version of the signal applied to XTAL and a version of the device's master clock at the output of the PLL. The clock frequency on this pin can also be disabled by programming the CLKOSSEL[4:0] bits in CLKOSR.

2.4 Address, Data, and Bus Control Signals

Table 2-6 Address Bus Signals

No. of Pins	Signal Name	Signal Type	State During Reset	Signal Description
6	A0–A5	Output	Tri-stated	Address Bus —A0–A5 specify the address for external Program or Data memory accesses.
2	A6–A7	Output	Tri-stated	Address Bus —A6–A7 specify the address for external Program or Data memory accesses.
	GPIOE2–GPIOE3	Input/Output	Input	<p>Port E GPIO—These two pins are General Purpose I/O (GPIO) pins that can be individually programmed as input or output pins.</p> <p>After reset, the default state is Address Bus.</p>
8	A8–A15	Output	Tri-stated	Address Bus —A8–A15 specify the address for external Program or Data memory accesses.
	GPIOA0–GPIOA7	Input/Output	Input	<p>Port A GPIO—These eight pins are General Purpose I/O (GPIO) pins that can be individually programmed as input or output pins.</p> <p>After reset, the default state is Address Bus.</p>

Table 2-7 Data Bus Signals

No. of Pins	Signal Name	Signal Type	State During Reset	Signal Description
16	D0–D15	Input/Output	Tri-stated	Data Bus — D0–D15 specify the data for external Program or Data memory accesses. D0–D15 are tri-stated when the external bus is inactive. Internal pull-ups may be active.

Table 2-8 Bus Control Signals

No. of Pins	Signal Name	Signal Type	State During Reset	Signal Description
1	PS	Output	Tri-stated	Program Memory Select —PS is asserted low for external Program memory access.
1	DS	Output	Tri-stated	Data Memory Select —DS is asserted low for external Data memory access.
1	WR	Output	Tri-stated	Write Enable —WR is asserted during external memory write cycles. When WR is asserted low, pins D0–D15 become outputs and the device puts data on the bus. When WR is deasserted high, the external data is latched inside the external device. When WR is asserted, it qualifies the A0–A15, PS, and DS pins. WR can be connected directly to the WE pin of a Static RAM.
1	RD	Output	Tri-stated	Read Enable —RD is asserted during external memory read cycles. When RD is asserted low, pins D0–D15 become inputs and an external device is enabled onto the device data bus. When RD is deasserted high, the external data is latched inside the controller. When RD is asserted, it qualifies the A0–A15, PS, and DS pins. RD can be connected directly to the OE pin of a Static RAM or ROM.

2.5 Interrupt and Program Control Signals

Table 2-9 Interrupt and Program Control Signals

No. of Pins	Signal Name	Signal Type	State During Reset	Signal Description
1	IRQA	Input (Schmitt)	Input	External Interrupt Request A —The IRQA input is a synchronized external interrupt request indicating an external device is requesting service. It can be programmed to be level-sensitive or negative-edge-triggered.
1	IRQB	Input (Schmitt)	Input	External Interrupt Request B —The IRQB input is an external interrupt request indicating an external device is requesting service. It can be programmed to be level-sensitive or negative-edge-triggered.

Table 2-9 Interrupt and Program Control Signals (Continued)

No. of Pins	Signal Name	Signal Type	State During Reset	Signal Description
1	RESET	Input (Schmitt)	Input	<p>Reset—This input is a direct hardware reset on the processor. When $\overline{\text{RESET}}$ is asserted low, the controller is initialized and placed in the Reset state. A Schmitt trigger input is used for noise immunity. When the $\overline{\text{RESET}}$ pin is deasserted, the initial chip operating mode is latched from the EXTBOOT pin. The internal reset signal will be deasserted synchronous with the internal clocks, after a fixed number of internal clocks.</p> <p>To ensure a complete hardware reset, $\overline{\text{RESET}}$ and $\overline{\text{TRST}}$ should be asserted together. The only exception occurs in a debugging environment when a hardware device reset is required and it is necessary not to reset the OnCE/JTAG module. In this case, assert $\overline{\text{RESET}}$, but do not assert $\overline{\text{TRST}}$.</p>
1	EXTBOOT	Input (Schmitt)	Input	<p>External Boot—This input is tied to V_{DD} to force device to boot from off-chip memory. Otherwise, it is tied to V_{SS}.</p>

2.6 Pulse Width Modulator (PWM) Signals

Table 2-10 Pulse Width Modulator (PWMA) Signals

No. of Pins	Signal Name	Signal Type	State During Reset	Signal Description
6	PWMA0–5	Output	Tri-stated	<p>PWMA0–5— These are six PWMA output pins.</p>
3	ISA0–2	Input (Schmitt)	Input	<p>ISA0–2— These three input current status pins are used for top/bottom pulse width correction in complementary channel operation for PWMA.</p>
3	FAULTA0–2	Input (Schmitt)	Input	<p>FAULTA0–2— These three fault input pins are used for disabling selected PWMA outputs in cases where fault conditions originate off-chip.</p>

2.7 Serial Peripheral Interface (SPI) Signals

Table 2-11 Serial Peripheral Interface (SPI) Signals

No. of Pins	Signal Name	Signal Type	State During Reset	Signal Description
1	MISO	Input/Output	Input	SPI Master In/Slave Out (MISO) —This serial data pin is an input to a master device and an output from a slave device. The MISO line of a slave device is placed in the high impedance state if the slave device is not selected.
	GPIOE6	Input/Output	Input	Port E GPIO —This General Purpose I/O (GPIO) pin can be individually programmed as an input or output pin. After reset, the default state is MISO.
1	MOSI	Input/Output	Input	SPI Master Out/Slave In (MOSI) —This serial data pin is an output from a master device and an input to a slave device. The master device places data on the MOSI line a half-cycle before the clock edge that the slave device uses to latch the data.
	GPIOE5	Input/Output	Input	Port E GPIO —This General Purpose I/O (GPIO) pin can be individually programmed as an input or output pin. After reset, the default state is MOSI.
1	SCLK	Input/Output	Input	SPI Serial Clock —In master mode, this pin serves as an output, clocking slaved listeners. In slave mode, this pin serves as the data clock input.
	GPIOE4	Input/Output	Input	Port E GPIO —This General Purpose I/O (GPIO) pin can be individually programmed as an input or output pin. After reset, the default state is SCLK.
1	\overline{SS}	Input	Input	SPI Slave Select —In master mode, this pin is used to arbitrate multiple masters. In slave mode, this pin is used to select the slave.
	GPIOE7	Input/Output	Input	Port E GPIO —This General Purpose I/O (GPIO) pin can be individually programmed as an input or output pin. After reset, the default state is \overline{SS} .

2.8 Quadrature Decoder Signals

Table 2-12 Quadrature Decoder (Quad Dec0) Signals

No. of Pins	Signal Name	Signal Type	State During Reset	Signal Description
1	PHASEA0	Input	Input	Phase A —Quadrature Decoder #0 PHASEA input
	TA0	Input/Output	Input	TA0 —Timer A Channel 0
1	PHASEB0	Input	Input	Phase B —Quadrature Decoder #0 PHASEB input
	TA1	Input/Output	Input	TA1 —Timer A Channel 1
1	INDEX0	Input	Input	Index —Quadrature Decoder #0 INDEX input
	TA2	Input/Output	Input	TA2 —Timer A Channel 2
1	HOME0	Input	Input	Home —Quadrature Decoder #0 HOME input
	TA3	Input/Output	Input	TA3 —Timer A Channel 3

2.9 Serial Communications Interface (SCI) Signals

Table 2-13 Serial Communications Interface (SCI0) Signals

No. of Pins	Signal Name	Signal Type	State During Reset	Signal Description
1	TXD0	Output	Input	Transmit Data (TXD0) —SCI0 transmit data output
	GPIOE0	Input/Output	Input	Port E GPIO —This General Purpose I/O (GPIO) pin can be individually programmed as an input or output pin. After reset, the default state is SCI output.
1	RXD0	Input	Input	Receive Data (RXD0) — SCI0 receive data input
	GPIOE1	Input/Output	Input	Port E GPIO —This General Purpose I/O (GPIO) pin can be individually programmed as an input or output pin. After reset, the default state is SCI input.

2.10 CAN Signals

Table 2-14 CAN Module Signals

No. of Pins	Signal Name	Signal Type	State During Reset	Signal Description
1	MSCAN_RX	Input (Schmitt)	Input	MSCAN Receive Data —This is the MSCAN input. This pin has an internal pull-up resistor.
1	MSCAN_TX	Output	Output	MSCAN Transmit Data —MSCAN output. CAN output is open-drain output and a pull-up resistor is needed.

2.11 Analog-to-Digital Converter (ADC) Signals

Table 2-15 Analog to Digital Converter Signals

No. of Pins	Signal Name	Signal Type	State During Reset	Signal Description
4	ANA0–3	Input	Input	ANA0–3 —Analog inputs to ADC channel 1
4	ANA4–7	Input	Input	ANA4–7 —Analog inputs to ADC channel 2
1	VREF	Input	Input	VREF —Analog reference voltage for ADC. Must be set to $V_{DDA}-0.3V$ for optimal performance.

2.12 Quad Timer Module Signals

Table 2-16 Quad Timer Module Signals

No. of Pins	Signal Name	Signal Type	State During Reset	Signal Description
2	TD1–2	Input/Output	Input	TD1–2 —Timer D Channel 1–2

2.13 JTAG/OnCE

Table 2-17 JTAG/On-Chip Emulation (OnCE) Signals

No. of Pins	Signal Name	Signal Type	State During Reset	Signal Description
1	TCK	Input (Schmitt)	Input, pulled low internally	Test Clock Input —This input pin provides a gated clock to synchronize the test logic and shift serial data to the JTAG/OnCE port. The pin is connected internally to a pull-down resistor.
1	TMS	Input (Schmitt)	Input, pulled high internally	Test Mode Select Input —This input pin is used to sequence the JTAG TAP controller's state machine. It is sampled on the rising edge of TCK and has an on-chip pull-up resistor. Note: Always tie the TMS pin to V_{DD} through a 2.2K resistor.
1	TDI	Input (Schmitt)	Input, pulled high internally	Test Data Input —This input pin provides a serial input data stream to the JTAG/OnCE port. It is sampled on the rising edge of TCK and has an on-chip pull-up resistor.
1	TDO	Output	Tri-stated	Test Data Output —This tri-statable output pin provides a serial output data stream from the JTAG/OnCE port. It is driven in the Shift-IR and Shift-DR controller states, and changes on the falling edge of TCK.
1	$\overline{\text{TRST}}$	Input (Schmitt)	Input, pulled high internally	Test Reset —As an input, a low signal on this pin provides a reset signal to the JTAG TAP controller. To ensure complete hardware reset, $\overline{\text{TRST}}$ should be asserted at power-up and whenever $\overline{\text{RESET}}$ is asserted. The only exception occurs in a debugging environment when a hardware device reset is required and it is necessary not to reset the OnCE/JTAG module. In this case, assert RESET, but do not assert TRST. Note: For normal operation, connect $\overline{\text{TRST}}$ directly to V_{SS} . If the design is to be used in a debugging environment, $\overline{\text{TRST}}$ may be tied to V_{SS} through a 1K resistor.
1	$\overline{\text{DE}}$	Output	Output	Debug Event — $\overline{\text{DE}}$ provides a low pulse on recognized debug events.

Part 3 Specifications

3.1 General Characteristics

The 56F803 is fabricated in high-density CMOS with 5-V tolerant TTL-compatible digital inputs. The term “5-V tolerant” refers to the capability of an I/O pin, built on a 3.3V-compatible process technology, to withstand a voltage up to 5.5V without damaging the device. Many systems have a mixture of devices designed for 3.3V and 5V power supplies. In such systems, a bus may carry both 3.3V and 5V-compatible I/O voltage levels (a standard 3.3V I/O is designed to receive a maximum voltage of $3.3V \pm 10\%$ during normal operation without causing damage). This 5V-tolerant capability therefore offers the power savings of 3.3V I/O levels while being able to receive 5V levels without being damaged.

Absolute maximum ratings given in **Table 3-1** are stress ratings only, and functional operation at the maximum is not guaranteed. Stress beyond these ratings may affect device reliability or cause permanent damage to the device.

The 56F803 DC/AC electrical specifications are preliminary and are from design simulations. These specifications may not be fully tested or guaranteed at this early stage of the product life cycle. Finalized specifications will be published after complete characterization and device qualifications have been completed.

CAUTION

This device contains protective circuitry to guard against damage due to high static voltage or electrical fields. However, normal precautions are advised to avoid application of any voltages higher than maximum rated voltages to this high-impedance circuit. Reliability of operation is enhanced if unused inputs are tied to an appropriate voltage level.

Table 3-1 Absolute Maximum Ratings

Characteristic	Symbol	Min	Max	Unit
Supply voltage	V_{DD}	$V_{SS} - 0.3$	$V_{SS} + 4.0$	V
All other input voltages, excluding Analog inputs	V_{IN}	$V_{SS} - 0.3$	$V_{SS} + 5.5V$	V
Voltage difference V_{DD} to V_{DDA}	ΔV_{DD}	- 0.3	0.3	V
Voltage difference V_{SS} to V_{SSA}	ΔV_{SS}	- 0.3	0.3	V
Analog inputs ANA0-7 and VREF	V_{IN}	$V_{SSA} - 0.3$	$V_{DDA} + 0.3$	V
Analog inputs EXTAL and XTAL	V_{IN}	$V_{SSA} - 0.3$	$V_{SSA} + 3.0$	V
Current drain per pin excluding V_{DD} , V_{SS} , PWM outputs, TCS, V_{PP} , V_{DDA} , V_{SSA}	I	—	10	mA

Table 3-2 Recommended Operating Conditions

Characteristic	Symbol	Min	Typ	Max	Unit
Supply voltage, digital	V_{DD}	3.0	3.3	3.6	V
Supply Voltage, analog	V_{DDA}	3.0	3.3	3.6	V
Voltage difference V_{DD} to V_{DDA}	ΔV_{DD}	-0.1	-	0.1	V

Table 3-2 Recommended Operating Conditions

Characteristic	Symbol	Min	Typ	Max	Unit
Voltage difference V_{SS} to V_{SSA}	ΔV_{SS}	-0.1	-	0.1	V
ADC reference voltage	VREF	2.7	-	V_{DDA}	V
Ambient operating temperature	T_A	-40	-	85	°C

Table 3-3 Thermal Characteristics⁶

Characteristic	Comments	Symbol	Value	Unit	Notes
			100-pin LQFP		
Junction to ambient Natural convection		$R_{\theta JA}$	41.7	°C/W	2
Junction to ambient (@1m/sec)		$R_{\theta JMA}$	37.2	°C/W	2
Junction to ambient Natural convection	Four layer board (2s2p)	$R_{\theta JMA}$ (2s2p)	34.2	°C/W	1,2
Junction to ambient (@1m/sec)	Four layer board (2s2p)	$R_{\theta JMA}$	32	°C/W	1,2
Junction to case		$R_{\theta JC}$	10.2	°C/W	3
Junction to center of case		Ψ_{JT}	0.8	°C/W	4, 5
I/O pin power dissipation		$P_{I/O}$	User Determined	W	
Power dissipation		P_D	$P_D = (I_{DD} \times V_{DD} + P_{I/O})$	W	
Junction to center of case		P_{DMAX}	$(T_J - T_A) / R_{\theta JA}$	W	7

Notes:

1. Theta-JA determined on 2s2p test boards is frequently lower than would be observed in an application. Determined on 2s2p thermal test board.
2. Junction to ambient thermal resistance, Theta-JA ($R_{\theta JA}$) was simulated to be equivalent to the JEDEC specification JESD51-2 in a horizontal configuration in natural convection. Theta-JA was also simulated on a thermal test board with two internal planes (2s2p where “s” is the number of signal layers and “p” is the number of planes) per JESD51-6 and JESD51-7. The correct name for Theta-JA for forced convection or with the non-single layer boards is Theta-JMA.
3. Junction to case thermal resistance, Theta-JC ($R_{\theta JC}$), was simulated to be equivalent to the measured values using the cold plate technique with the cold plate temperature used as the “case” temperature. The basic cold plate measurement technique is described by MIL-STD 883D, Method 1012.1. This is the correct thermal metric to use to calculate thermal performance when the package is being used with a heat sink.

4. Thermal Characterization Parameter, Psi-JT (Ψ_{JT}), is the “resistance” from junction to reference point thermocouple on top center of case as defined in JESD51-2. Ψ_{JT} is a useful value to use to estimate junction temperature in steady state customer environments.
5. Junction temperature is a function of on-chip power dissipation, package thermal resistance, mounting site (board) temperature, ambient temperature, air flow, power dissipation of other components on the board, and board thermal resistance.
6. See Section 5.1 from more details on thermal design considerations.
7. TJ = Junction Temperature
TA = Ambient Temperature

3.2 DC Electrical Characteristic

Table 3-4 DC Electrical Characteristics

Operating Conditions: $V_{SS} = V_{SSA} = 0$ V, $V_{DD} = V_{DDA} = 3.0$ – 3.6 V, $T_A = -40^\circ$ to $+85^\circ$ C, $C_L \leq 50$ pF, $f_{op} = 80$ MHz

Characteristic	Symbol	Min	Typ	Max	Unit
Input high voltage (XTAL/EXTAL)	V_{IHC}	2.25	—	2.75	V
Input low voltage (XTAL/EXTAL)	V_{ILC}	0	—	0.5	V
Input high voltage (Schmitt trigger inputs) ¹	V_{IHS}	2.2	—	5.5	V
Input low voltage (Schmitt trigger inputs) ¹	V_{ILS}	-0.3	—	0.8	V
Input high voltage (all other digital inputs)	V_{IH}	2.0	—	5.5	V
Input low voltage (all other digital inputs)	V_{IL}	-0.3	—	0.8	V
Input current high (pullup/pulldown resistors disabled, $V_{IN}=V_{DD}$)	I_{IH}	-1	—	1	μ A
Input current low (pullup/pulldown resistors disabled, $V_{IN}=V_{SS}$)	I_{IL}	-1	—	1	μ A
Input current high (with pullup resistor, $V_{IN}=V_{DD}$)	I_{IHPU}	-1	—	1	μ A
Input current low (with pullup resistor, $V_{IN}=V_{SS}$)	I_{ILPU}	-210	—	-50	μ A
Input current high (with pulldown resistor, $V_{IN}=V_{DD}$)	I_{IHPD}	20	—	180	μ A
Input current low (with pulldown resistor, $V_{IN}=V_{SS}$)	I_{ILPD}	-1	—	1	μ A
Nominal pullup or pulldown resistor value	R_{PU}, R_{PD}		30		K Ω
Output tri-state current low	I_{OZL}	-10	—	10	μ A
Output tri-state current high	I_{OZH}	-10	—	10	μ A

Table 3-4 DC Electrical Characteristics (Continued)

 Operating Conditions: $V_{SS} = V_{SSA} = 0\text{ V}$, $V_{DD} = V_{DDA} = 3.0\text{--}3.6\text{ V}$, $T_A = -40^\circ\text{ to }+85^\circ\text{C}$, $C_L \leq 50\text{pF}$, $f_{op} = 80\text{MHz}$

Characteristic	Symbol	Min	Typ	Max	Unit
Input current high (analog inputs, $V_{IN}=V_{DDA}$) ²	I_{IHA}	-15	—	15	μA
Input current low (analog inputs, $V_{IN}=V_{SSA}$) ²	I_{ILA}	-15	—	15	μA
Output High Voltage (at IOH)	V_{OH}	$V_{DD} - 0.7$	—	—	V
Output Low Voltage (at IOL)	V_{OL}	—	—	0.4	V
Output source current	I_{OH}	4	—	—	mA
Output sink current	I_{OL}	4	—	—	mA
PWM pin output source current ³	I_{OHP}	10	—	—	mA
PWM pin output sink current ⁴	I_{OLP}	16	—	—	mA
Input capacitance	C_{IN}	—	8	—	pF
Output capacitance	C_{OUT}	—	12	—	pF
V_{DD} supply current	I_{DDT} ⁵				
Run ⁶		—	126	152	mA
Wait ⁷		—	105	129	mA
Stop		—	60	84	mA
Low Voltage Interrupt, external power supply ⁸	V_{EIO}	2.4	2.7	3.0	V
Low Voltage Interrupt, internal power supply ⁹	V_{EIC}	2.0	2.2	2.4	V
Power on Reset ¹⁰	V_{POR}	—	1.7	2.0	V

1. Schmitt Trigger inputs are: EXTBOOT, \overline{IRQA} , \overline{IRQB} , \overline{RESET} , ISA0-2, FAULTA0-3, TCS, TCK, \overline{TRST} , TMS, TDI, and MSCAN_RX

2. Analog inputs are: ANA[0:7], XTAL and EXTAL. Specification assumes ADC is not sampling.

3. PWM pin output source current measured with 50% duty cycle.

4. PWM pin output sink current measured with 50% duty cycle.

5. $I_{DDT} = I_{DD} + I_{DDA}$ (Total supply current for $V_{DD} + V_{DDA}$)

6. Run (operating) I_{DD} measured using 8MHz clock source. All inputs 0.2V from rail; outputs unloaded. All ports configured as inputs; measured with all modules enabled.

7. Wait I_{DD} measured using external square wave clock source ($f_{osc} = 8\text{MHz}$) into XTAL; all inputs 0.2V from rail; no DC loads; less than 50pF on all outputs. $C_L = 20\text{pF}$ on EXTAL; all ports configured as inputs; EXTAL capacitance linearly affects wait I_{DD} ; measured with PLL enabled.

8. This low-voltage interrupt monitors the V_{DDA} external power supply. V_{DDA} is generally connected to the same potential as V_{DD} via separate traces. If V_{DDA} drops below V_{EIO} , an interrupt is generated. Functionality of the device is guaranteed under transient conditions when $V_{DDA} \geq V_{EIO}$ (between the minimum specified V_{DD} and the point when the V_{EIO} interrupt is generated).

9. This low voltage interrupt monitors the internally regulated core power supply. If the output from the internal voltage is regulator drops below V_{EIC} , an interrupt is generated. Since the core logic supply is internally regulated, this interrupt will not be generated unless the external power supply drops below the minimum specified value (3.0V).

10. Power-on reset occurs whenever the internally regulated 2.5V digital supply drops below 1.5V typical. While power is ramping up, this signal remains active as long as the internal 2.5V is below 1.5V typical, no matter how long the ramp-up rate is. The internally regulated voltage is typically 100mV less than V_{DD} during ramp-up, until 2.5V is reached, at which time it self-regulates.

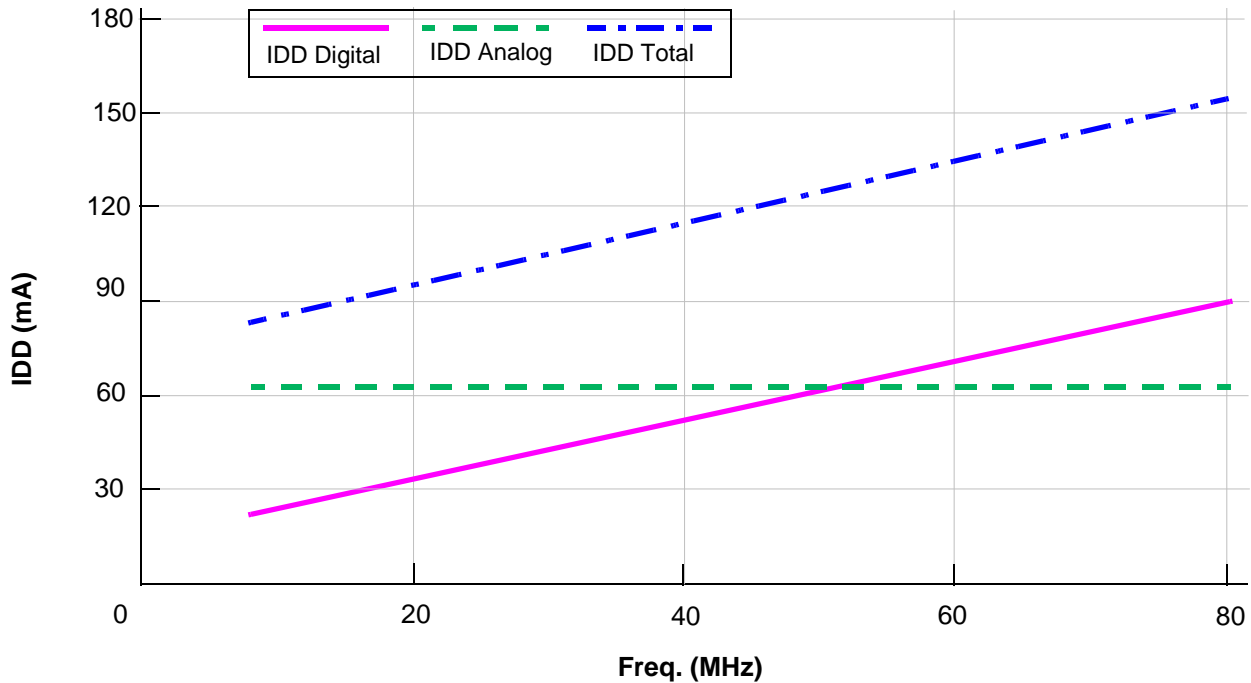
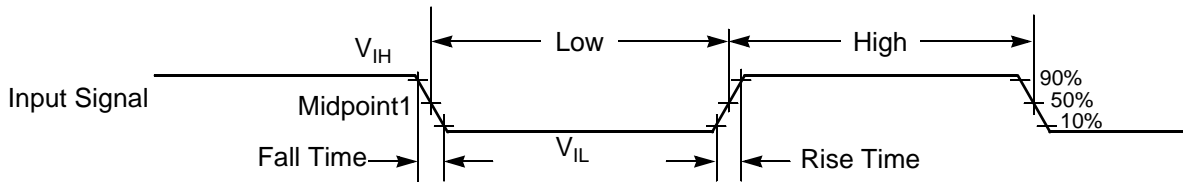


Figure 3-1 Maximum Run IDD vs. Frequency (see Note 6. in Table 3-14)

3.3 AC Electrical Characteristics

Timing waveforms in Section 3.3 are tested using the V_{IL} and V_{IH} levels specified in the DC Characteristics table. In Figure 3-2 the levels of V_{IH} and V_{IL} for an input signal are shown.



Note: The midpoint is $V_{IL} + (V_{IH} - V_{IL})/2$.

Figure 3-2 Input Signal Measurement References

Figure 3-3 shows the definitions of the following signal states:

- Active state, when a bus or signal is driven, and enters a low impedance state
- Tri-stated, when a bus or signal is placed in a high impedance state
- Data Valid state, when a signal level has reached V_{OL} or V_{OH}
- Data Invalid state, when a signal level is in transition between V_{OL} and V_{OH}

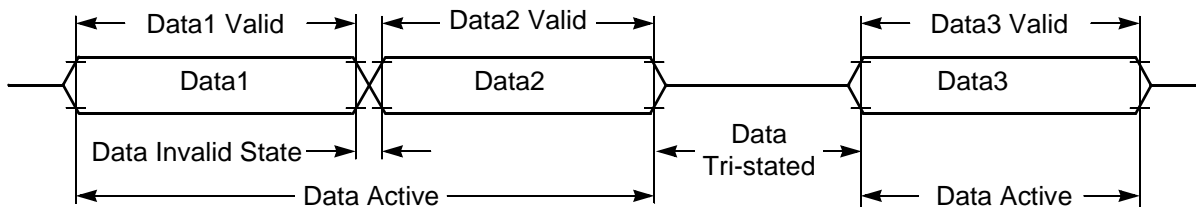


Figure 3-3 Signal States

3.4 Flash Memory Characteristics

Table 3-5 Flash Memory Truth Table

Mode	XE ¹	YE ²	SE ³	OE ⁴	PROG ⁵	ERASE ⁶	MAS1 ⁷	NVSTR ⁸
Standby	L	L	L	L	L	L	L	L
Read	H	H	H	H	L	L	L	L
Word Program	H	H	L	L	H	L	L	H
Page Erase	H	L	L	L	L	H	L	H
Mass Erase	H	L	L	L	L	H	H	H

1. X address enable, all rows are disabled when XE = 0
2. Y address enable, YMUX is disabled when YE = 0
3. Sense amplifier enable
4. Output enable, tri-state Flash data out bus when OE = 0

5. Defines program cycle
6. Defines erase cycle
7. Defines mass erase cycle, erase whole block
8. Defines non-volatile store cycle

Table 3-6 IFREN Truth Table

Mode	IFREN = 1	IFREN = 0
Read	Read information block	Read main memory block
Word program	Program information block	Program main memory block
Page erase	Erase information block	Erase main memory block
Mass erase	Erase both block	Erase main memory block

Table 3-7 Flash Timing Parameters

Operating Conditions: $V_{SS} = V_{SSA} = 0\text{ V}$, $V_{DD} = V_{DDA} = 3.0\text{--}3.6\text{ V}$, $T_A = -40^\circ\text{ to }+85^\circ\text{ C}$, $C_L \leq 50\text{ pF}$

Characteristic	Symbol	Min	Typ	Max	Unit	Figure
Program time	T_{prog}^*	20	–	–	us	Figure 3-4
Erase time	T_{erase}^*	20	–	–	ms	Figure 3-5
Mass erase time	T_{me}^*	100	–	–	ms	Figure 3-6
Endurance ¹	E_{CYC}	10,000	20,000	–	cycles	
Data Retention ¹	D_{RET}	10	30	–	years	

The following parameters should only be used in the Manual Word Programming Mode

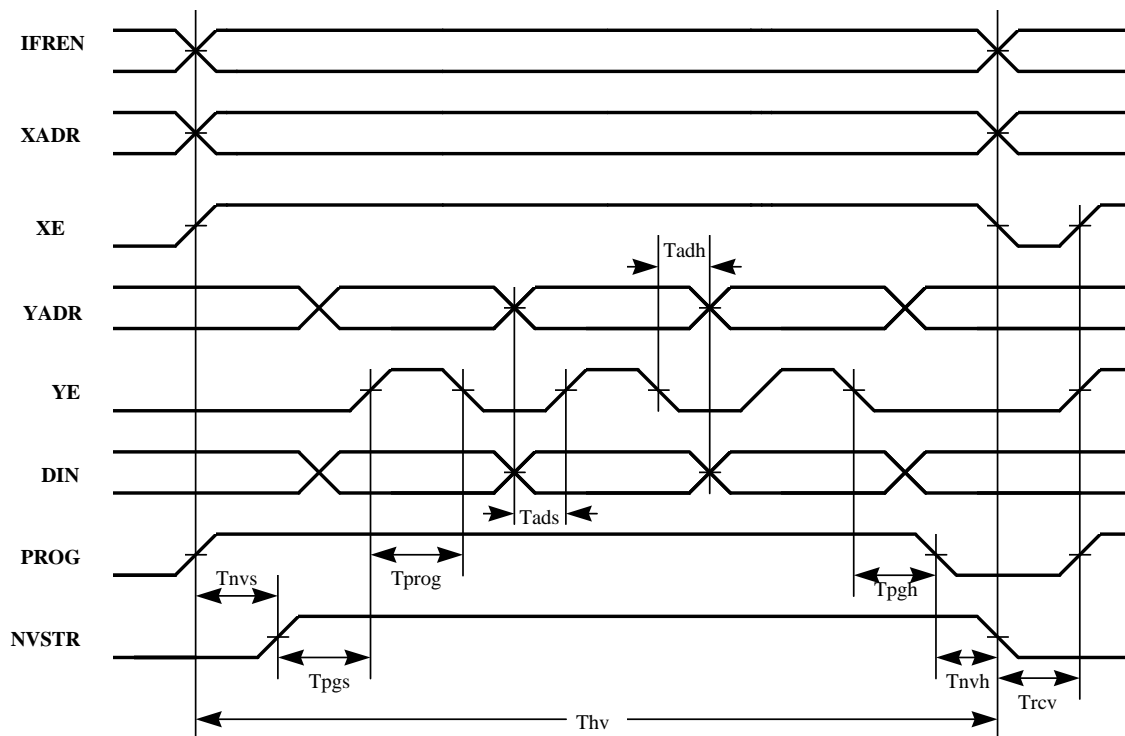
PROG/ERASE to NVSTR set up time	T_{nv}^*	–	5	–	us	Figure 3-4, Figure 3-5, Figure 3-6
NVSTR hold time	T_{nvh}^*	–	5	–	us	Figure 3-4, Figure 3-5
NVSTR hold time (mass erase)	T_{nvh1}^*	–	100	–	us	Figure 3-6
NVSTR to program set up time	T_{pgs}^*	–	10	–	us	Figure 3-4
Recovery time	T_{rcv}^*	–	1	–	us	Figure 3-4, Figure 3-5, Figure 3-6

Table 3-7 Flash Timing Parameters (Continued)

 Operating Conditions: $V_{SS} = V_{SSA} = 0\text{ V}$, $V_{DD} = V_{DDA} = 3.0\text{--}3.6\text{ V}$, $T_A = -40^\circ\text{ to }+85^\circ\text{ C}$, $C_L \leq 50\text{ pF}$

Characteristic	Symbol	Min	Typ	Max	Unit	Figure
Cumulative program HV period ²	T_{hv}	–	3	–	ms	Figure 3-4
Program hold time ³	T_{pgh}	–	–	–		Figure 3-4
Address/data set up time ³	T_{ads}	–	–	–		Figure 3-4
Address/data hold time ³	T_{adh}	–	–	–		Figure 3-4

- One cycle is equal to an erase program and read.
 - T_{hv} is the cumulative high voltage programming time to the same row before next erase. The same address cannot be programmed twice before next erase.
 - Parameters are guaranteed by design in smart programming mode and must be one cycle or greater.
- *The Flash interface unit provides registers for the control of these parameters.


Figure 3-4 Flash Program Cycle

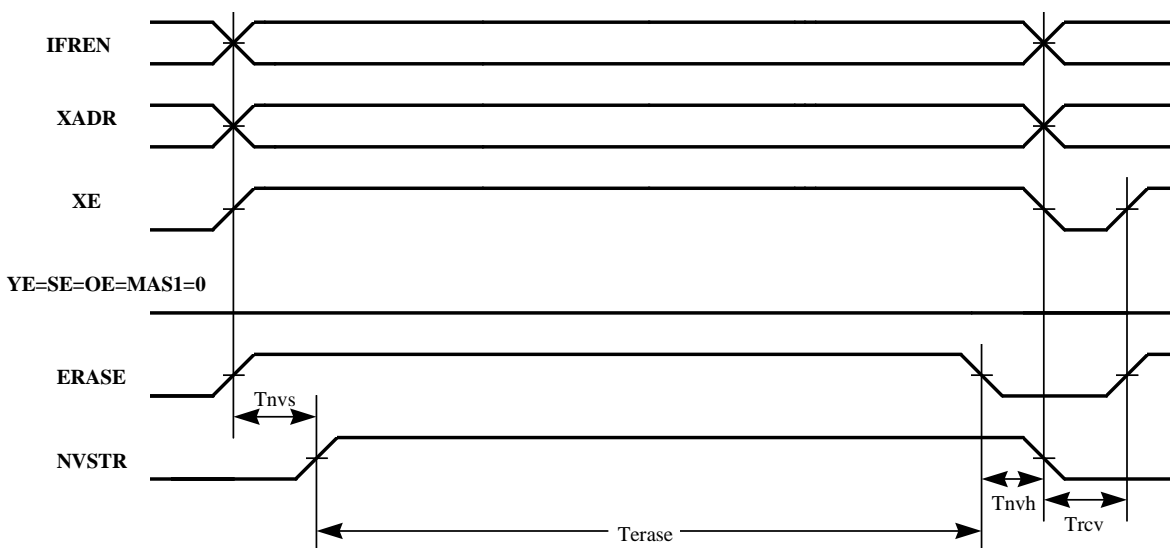


Figure 3-5 Flash Erase Cycle

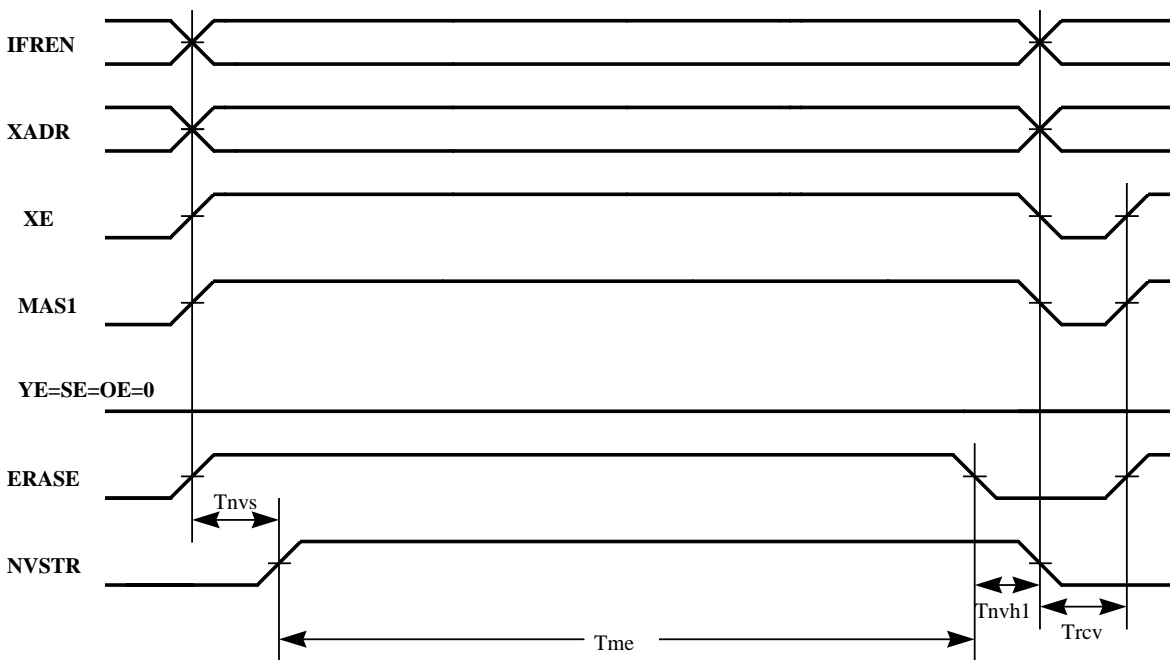


Figure 3-6 Flash Mass Erase Cycle

3.5 External Clock Operation

The 56F803 system clock can be derived from an external crystal or an external system clock signal. To generate a reference frequency using the internal oscillator, a reference crystal must be connected between the EXTAL and XTAL pins.

3.5.1 Crystal Oscillator

The internal oscillator is also designed to interface with a parallel-resonant crystal resonator in the frequency range specified for the external crystal in [Table 3-9](#). In [Figure 3-7](#) a recommended crystal oscillator circuit is shown. Follow the crystal supplier's recommendations when selecting a crystal, because crystal parameters determine the component values required to provide maximum stability and reliable start-up. The crystal and associated components should be mounted as close as possible to the EXTAL and XTAL pins to minimize output distortion and start-up stabilization time. The internal 56F80x oscillator circuitry is designed to have no external load capacitors present. As shown in [Figure 3-8](#) no external load capacitors should be used.

The 56F80x components internally are modeled as a parallel resonant oscillator circuit to provide a capacitive load on each of the oscillator pins (XTAL and EXTAL) of 10pF to 13pF over temperature and process variations. Using a typical value of internal capacitance on these pins of 12pF and a value of 3pF as a typical circuit board trace capacitance the parallel load capacitance presented to the crystal is 9pF as determined by the following equation:

$$CL = \frac{CL1 * CL2}{CL1 + CL2} + Cs = \frac{12 * 12}{12 + 12} + 3 = 6 + 3 = 9pF$$

This is the value load capacitance that should be used when selecting a crystal and determining the actual frequency of operation of the crystal oscillator circuit.

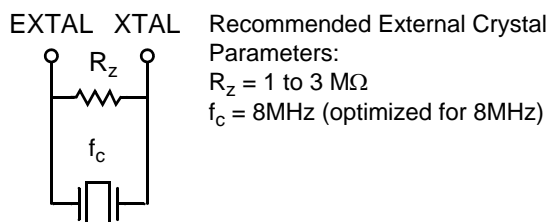


Figure 3-7 Connecting to a Crystal Oscillator

3.5.2 Ceramic Resonator

It is also possible to drive the internal oscillator with a ceramic resonator, assuming the overall system design can tolerate the reduced signal integrity. In [Figure 3-8](#), a typical ceramic resonator circuit is shown. Refer to supplier's recommendations when selecting a ceramic resonator and associated components. The resonator and components should be mounted as close as possible to the EXTAL and XTAL pins. The internal 56F80x oscillator circuitry is designed to have no external load capacitors present. As shown in [Figure 3-7](#) no external load capacitors should be used.

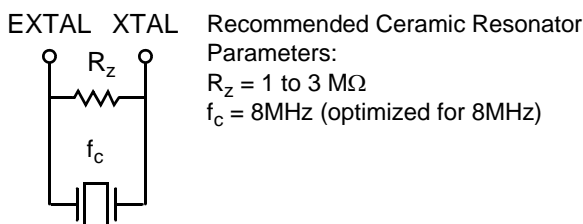


Figure 3-8 Connecting a Ceramic Resonator

Note: Freescale recommends only two terminal ceramic resonators vs. three terminal resonators (which contain an internal bypass capacitor to ground).

3.5.3 External Clock Source

The recommended method of connecting an external clock is given in [Figure 3-9](#). The external clock source is connected to XTAL and the EXTAL pin is grounded.

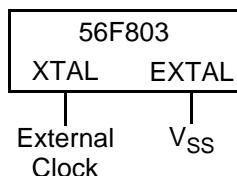
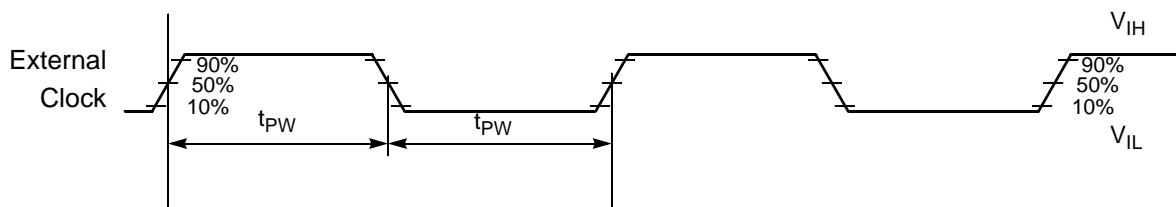


Figure 3-9 Connecting an External Clock Signal

Table 3-8 External Clock Operation Timing Requirements³
 Operating Conditions: $V_{SS} = V_{SSA} = 0\text{ V}$, $V_{DD} = V_{DDA} = 3.0\text{--}3.6\text{ V}$, $T_A = -40^\circ\text{ to }+85^\circ\text{C}$

Characteristic	Symbol	Min	Typ	Max	Unit
Frequency of operation (external clock driver) ¹	f_{osc}	0	—	80	MHz
Clock Pulse Width ^{2, 3}	t_{PW}	6.25	—	—	ns

1. See [Figure 3-9](#) for details on using the recommended connection of an external clock driver.
2. The high or low pulse width must be no smaller than 6.25ns or the chip will not function. However, the high pulse width does not have to be any particular percent of the low pulse width.
3. Parameters listed are guaranteed by design.



Note: The midpoint is $V_{IL} + (V_{IH} - V_{IL})/2$.

Figure 3-10 External Clock Timing

3.5.4 Phase Locked Loop Timing

Table 3-9 PLL Timing

Operating Conditions: $V_{SS} = V_{SSA} = 0\text{ V}$, $V_{DD} = V_{DDA} = 3.0\text{--}3.6\text{ V}$, $T_A = -40^\circ\text{ to }+85^\circ\text{C}$

Characteristic	Symbol	Min	Typ	Max	Unit
External reference crystal frequency for the PLL ¹	f_{osc}	4	8	10	MHz
PLL output frequency ²	$f_{out}/2$	40	—	110	MHz
PLL stabilization time ³ 0° to +85°C	t_{plls}	—	1	10	ms
PLL stabilization time ³ -40° to 0°C	t_{plls}	—	100	200	ms

1. An externally supplied reference clock should be as free as possible from any phase jitter for the PLL to work correctly. The PLL is optimized for 8MHz input crystal.
2. ZCLK may not exceed 80MHz. For additional information on ZCLK and $f_{out}/2$, please refer to the OCCS chapter in the User Manual. $ZCLK = f_{op}$
3. This is the minimum time required after the PLL set-up is changed to ensure reliable operation.

3.6 External Bus Asynchronous Timing

Table 3-10 External Bus Asynchronous Timing^{1, 2}

Operating Conditions: $V_{SS} = V_{SSA} = 0\text{ V}$, $V_{DD} = V_{DDA} = 3.0\text{--}3.6\text{ V}$, $T_A = -40^\circ\text{ to }+85^\circ\text{C}$, $C_L \leq 50\text{pF}$, $f_{op} = 80\text{MHz}$

Characteristic	Symbol	Min	Max	Unit
Address Valid to \overline{WR} Asserted	t_{AWR}	6.5	—	ns
\overline{WR} Width Asserted Wait states = 0 Wait states > 0	t_{WR}	7.5 (T*WS) + 7.5	— —	ns ns
\overline{WR} Asserted to D0–D15 Out Valid	t_{WRD}	—	4.2	ns
Data Out Hold Time from \overline{WR} Deasserted	t_{DOH}	4.8	—	ns
Data Out Set Up Time to \overline{WR} Deasserted Wait states = 0 Wait states > 0	t_{DOS}	2.2 (T*WS) + 6.4	— —	ns ns
\overline{RD} Deasserted to Address Not Valid	t_{RDA}	0	—	ns
Address Valid to \overline{RD} Deasserted Wait states = 0 Wait states > 0	t_{ARDD}	18.7 (T*WS) + 18.7	—	ns ns

Table 3-10 External Bus Asynchronous Timing^{1, 2} (Continued)

 Operating Conditions: $V_{SS} = V_{SSA} = 0\text{ V}$, $V_{DD} = V_{DDA} = 3.0\text{--}3.6\text{ V}$, $T_A = -40^\circ\text{ to }+85^\circ\text{C}$, $C_L \leq 50\text{pF}$, $f_{op} = 80\text{MHz}$

Characteristic	Symbol	Min	Max	Unit
Input Data Hold to $\overline{\text{RD}}$ Deasserted	t_{DRD}	0	—	ns
$\overline{\text{RD}}$ Assertion Width Wait states = 0 Wait states > 0	t_{RD}	19 (T*WS) + 19	— —	ns ns
Address Valid to Input Data Valid Wait states = 0 Wait states > 0	t_{AD}	— —	1 (T*WS) + 1	ns ns
Address Valid to $\overline{\text{RD}}$ Asserted	t_{ARDA}	-4.4	—	ns
$\overline{\text{RD}}$ Asserted to Input Data Valid Wait states = 0 Wait states > 0	t_{RDD}	— —	2.4 (T*WS) + 2.4	ns ns
$\overline{\text{WR}}$ Deasserted to $\overline{\text{RD}}$ Asserted	t_{WRRD}	6.8	—	ns
$\overline{\text{RD}}$ Deasserted to $\overline{\text{RD}}$ Asserted	t_{RDRD}	0	—	ns
$\overline{\text{WR}}$ Deasserted to $\overline{\text{WR}}$ Asserted	t_{WRWR}	14.1	—	ns
$\overline{\text{RD}}$ Deasserted to $\overline{\text{WR}}$ Asserted	t_{RDWR}	12.8	—	ns

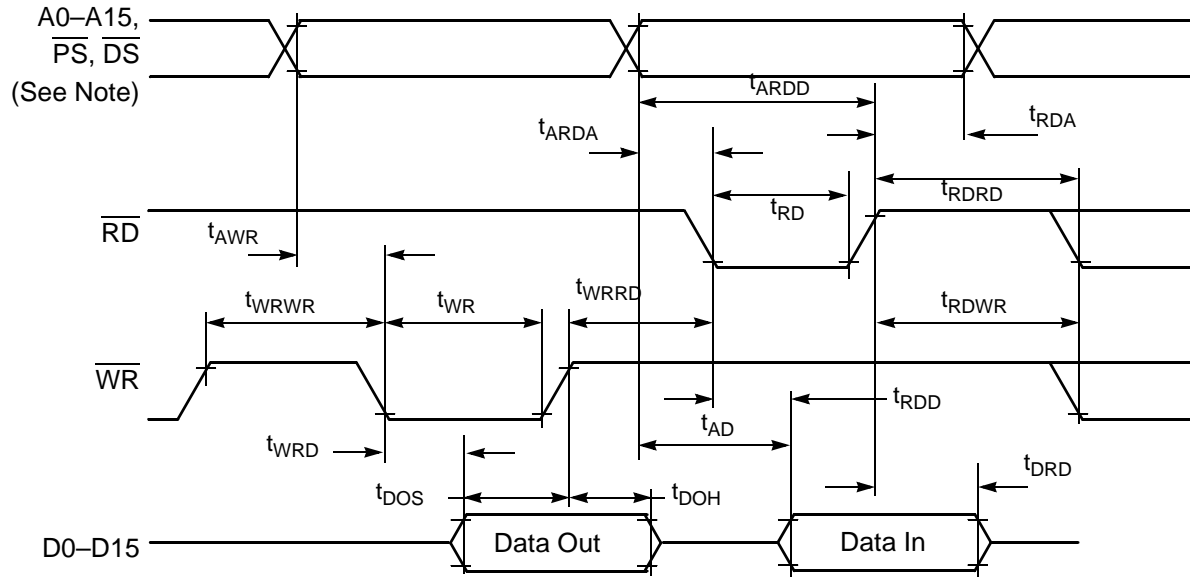
1. Timing is both wait state and frequency dependent. In the formulas listed, WS = the number of wait states and T = Clock Period. For 80MHz operation, T = 12.5ns.
2. Parameters listed are guaranteed by design.

To calculate the required access time for an external memory for any frequency < 80Mhz, use this formula:

Top = Clock period @ desired operating frequency

WS = Number of wait states

Memory Access Time = (Top*WS) + (Top- 11.5)



Note: During read-modify-write instructions and internal instructions, the address lines do not change state.

Figure 3-11 External Bus Asynchronous Timing

3.7 Reset, Stop, Wait, Mode Select, and Interrupt Timing

Table 3-11 Reset, Stop, Wait, Mode Select, and Interrupt Timing ^{1, 5}
 Operating Conditions: $V_{SS} = V_{SSA} = 0\text{ V}$, $V_{DD} = V_{DDA} = 3.0\text{--}3.6\text{ V}$, $T_A = -40^\circ\text{ to }+85^\circ\text{ C}$, $C_L \leq 50\text{ pF}$

Characteristic	Symbol	Min	Max	Unit	See Figure
$\overline{\text{RESET}}$ Assertion to Address, Data and Control Signals High Impedance	t_{RAZ}	—	21	ns	Figure 3-12
Minimum $\overline{\text{RESET}}$ Assertion Duration ²	t_{RA}	275,000T	—	ns	Figure 3-12
OMR Bit 6 = 0		128T	—	ns	
$\overline{\text{RESET}}$ De-assertion to First External Address Output	t_{RDA}	33T	34T	ns	Figure 3-12

Table 3-11 Reset, Stop, Wait, Mode Select, and Interrupt Timing (Continued)^{1, 5}

 Operating Conditions: $V_{SS} = V_{SSA} = 0\text{ V}$, $V_{DD} = V_{DDA} = 3.0\text{--}3.6\text{ V}$, $T_A = -40^\circ\text{ to }+85^\circ\text{C}$, $C_L \leq 50\text{ pF}$

Characteristic	Symbol	Min	Max	Unit	See Figure
Edge-sensitive Interrupt Request Width	t_{IRW}	1.5T	—	ns	Figure 3-13
\overline{IRQA} , \overline{IRQB} Assertion to External Data Memory Access Out Valid, caused by first instruction execution in the interrupt service routine	t_{IDM}	15T	—	ns	Figure 3-14
\overline{IRQA} , \overline{IRQB} Assertion to General Purpose Output Valid, caused by first instruction execution in the interrupt service routine	t_{IG}	16T	—	ns	Figure 3-14
\overline{IRQA} Low to First Valid Interrupt Vector Address Out recovery from Wait State ³	t_{IRI}	13T	—	ns	Figure 3-15
\overline{IRQA} Width Assertion to Recover from Stop State ⁴	t_{IW}	2T	—	ns	Figure 3-16
Delay from \overline{IRQA} Assertion to Fetch of first instruction (exiting Stop) OMR Bit 6 = 0 OMR Bit 6 = 1	t_{IF}	— —	275,000T 12T	ns ns	Figure 3-16
Duration for Level Sensitive \overline{IRQA} Assertion to Cause the Fetch of First \overline{IRQA} Interrupt Instruction (exiting Stop) OMR Bit 6 = 0 OMR Bit 6 = 1	t_{IRQ}	— —	275,000T 12T	ns ns	Figure 3-17
Delay from Level Sensitive \overline{IRQA} Assertion to First Interrupt Vector Address Out Valid (exiting Stop) OMR Bit 6 = 0 OMR Bit 6 = 1	t_{II}	— —	275,000T 12T	ns ns	Figure 3-17

1. In the formulas, T = clock cycle. For an operating frequency of 80MHz, T = 12.5ns.
2. Circuit stabilization delay is required during reset when using an external clock or crystal oscillator in two cases:
 - After power-on reset
 - When recovering from Stop state
3. The minimum is specified for the duration of an edge-sensitive \overline{IRQA} interrupt required to recover from the Stop state. This is not the minimum required so that the \overline{IRQA} interrupt is accepted.
4. The interrupt instruction fetch is visible on the pins only in Mode 3.
5. Parameters listed are guaranteed by design.

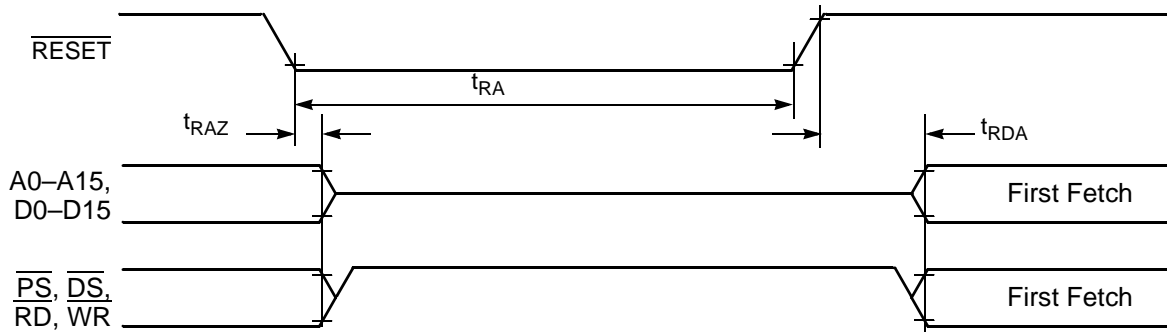


Figure 3-12 Asynchronous Reset Timing

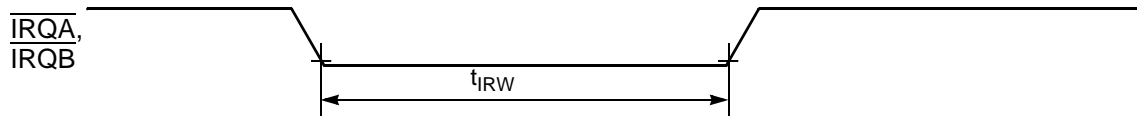
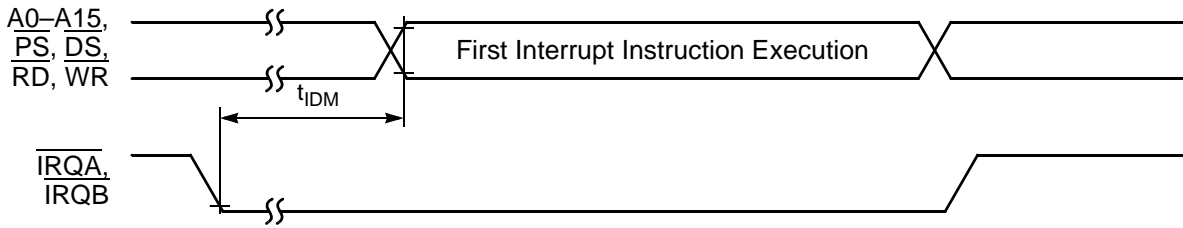
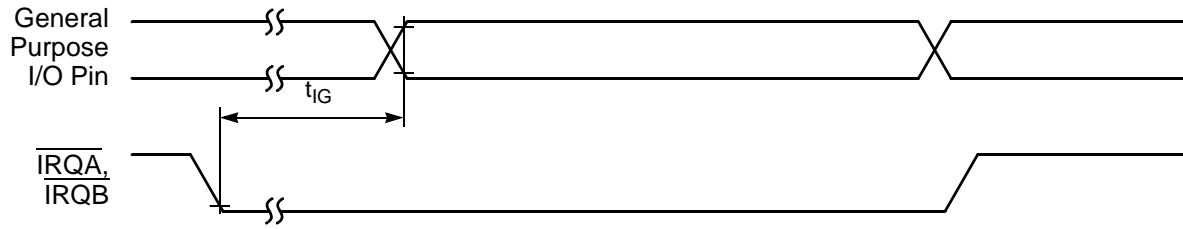


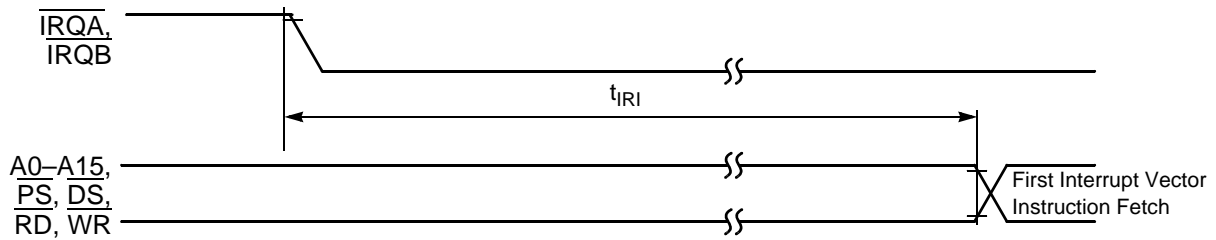
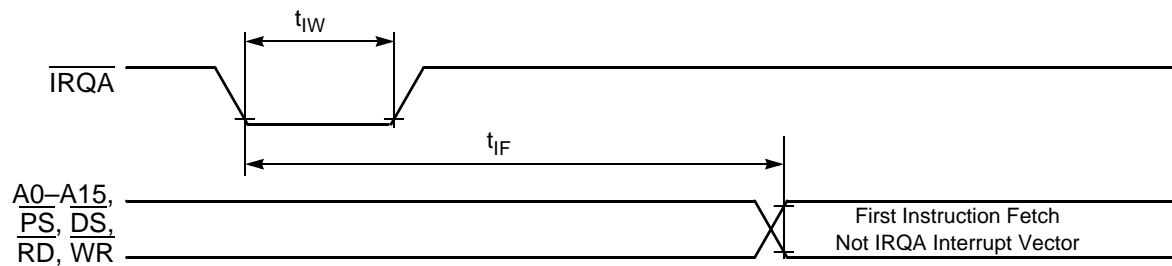
Figure 3-13 External Interrupt Timing (Negative-Edge-Sensitive)



a) First Interrupt Instruction Execution



b) General Purpose I/O

Figure 3-14 External Level-Sensitive Interrupt Timing

Figure 3-15 Interrupt from Wait State Timing

Figure 3-16 Recovery from Stop State Using Asynchronous Interrupt Timing

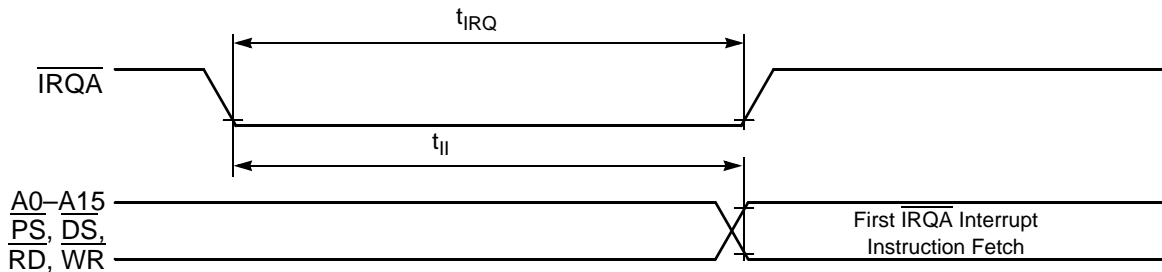


Figure 3-17 Recovery from Stop State Using $\overline{\text{IRQA}}$ Interrupt Service

3.8 Serial Peripheral Interface (SPI) Timing

Table 3-12 SPI Timing¹

Operating Conditions: $V_{SS} = V_{SSA} = 0 \text{ V}$, $V_{DD} = V_{DDA} = 3.0\text{--}3.6\text{V}$, $T_A = -40^\circ \text{ to } +85^\circ\text{C}$, $C_L \leq 50\text{pF}$, $f_{OP} = 80\text{MHz}$

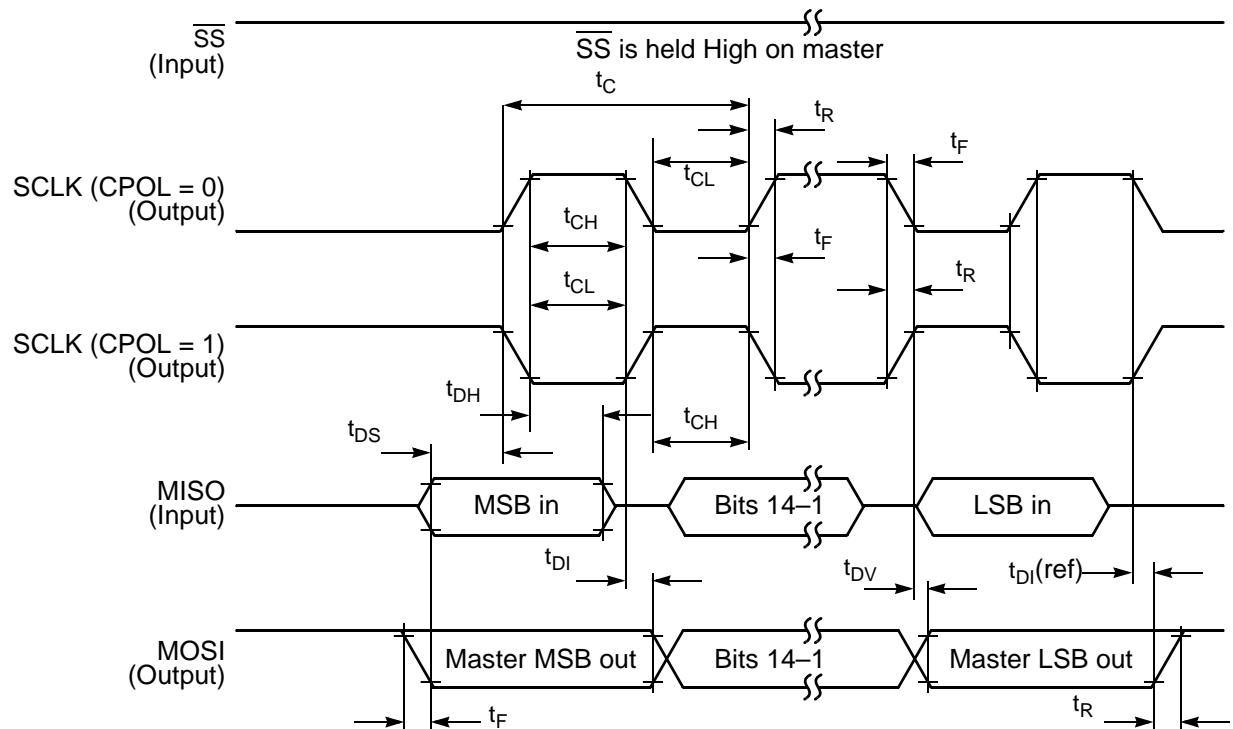
Characteristic	Symbol	Min	Max	Unit	See Figure
Cycle time Master Slave	t_C	50 25	— —	ns ns	Figures 3-18, , 3-20, 3-21
Enable lead time Master Slave	t_{ELD}	— 25	— —	ns ns	Figure 3-21
Enable lag time Master Slave	t_{ELG}	— 100	— —	ns ns	Figure 3-21
Clock (SCLK) high time Master Slave	t_{CH}	17.6 12.5	— —	ns ns	Figures 3-18, , 3-20, 3-21
Clock (SCLK) low time Master Slave	t_{CL}	24.1 25	— —	ns ns	Figures 3-18, , 3-20, 3-21
Data set-up time required for inputs Master Slave	t_{DS}	20 0	— —	ns ns	Figures 3-18, , 3-20, 3-21
Data hold time required for inputs Master Slave	t_{DH}	0 2	— —	ns ns	Figures 3-18, , 3-20, 3-21
Access time (time to data active from high-impedance state) Slave	t_A	4.8	15	ns	Figure 3-21
Disable time (hold time to high-impedance state) Slave	t_D	3.7	15.2	ns	Figure 3-21

Table 3-12 SPI Timing¹

 Operating Conditions: $V_{SS} = V_{SSA} = 0\text{ V}$, $V_{DD} = V_{DDA} = 3.0\text{--}3.6\text{ V}$, $T_A = -40^\circ\text{ to }+85^\circ\text{ C}$, $C_L \leq 50\text{ pF}$, $f_{OP} = 80\text{ MHz}$

Characteristic	Symbol	Min	Max	Unit	See Figure
Data Valid for outputs Master Slave (after enable edge)	t_{DV}	—	4.5 20.4	ns ns	Figures 3-18, , 3-20, 3-21
Data invalid Master Slave	t_{DI}	0 0	— —	ns ns	Figures 3-18, , 3-20, 3-21
Rise time Master Slave	t_R	— —	11.5 10.0	ns ns	Figures 3-18, , 3-20, 3-21
Fall time Master Slave	t_F	— —	9.7 9.0	ns ns	Figures 3-18, , 3-20, 3-21

1. Parameters listed are guaranteed by design.


Figure 3-18 SPI Master Timing (CPHA = 0)

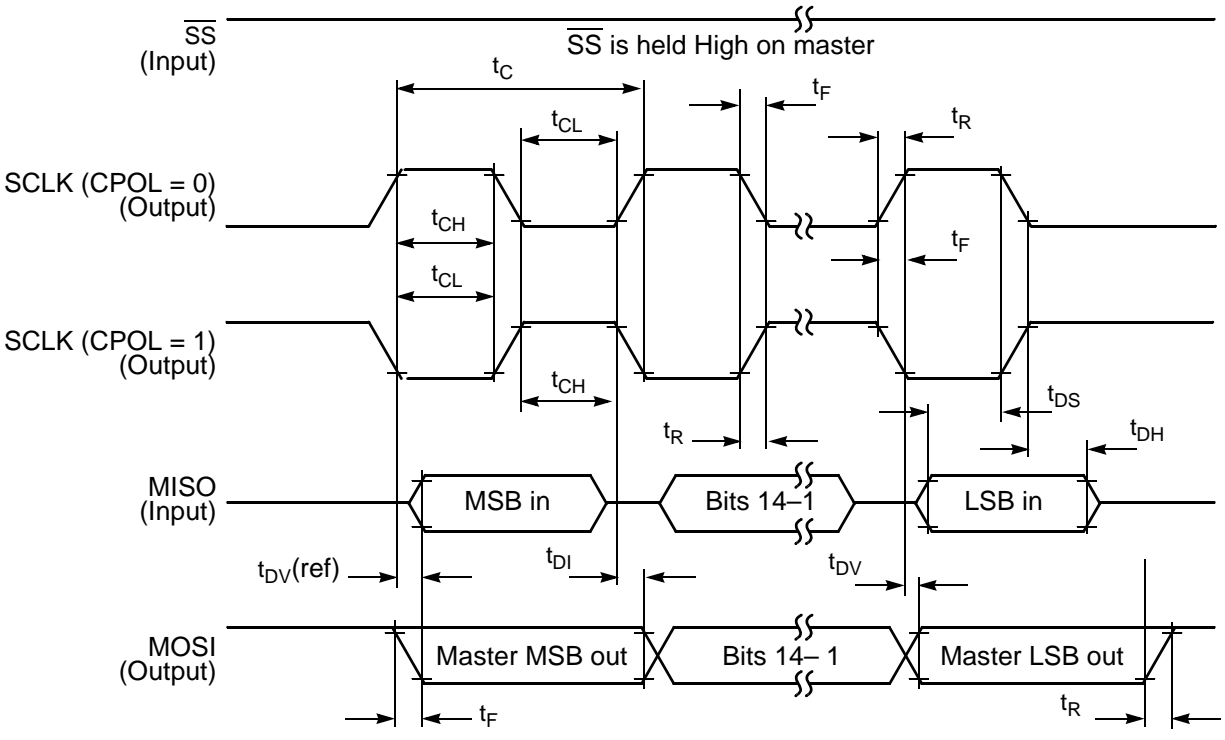


Figure 3-19 SPI Master Timing (CPHA = 1)

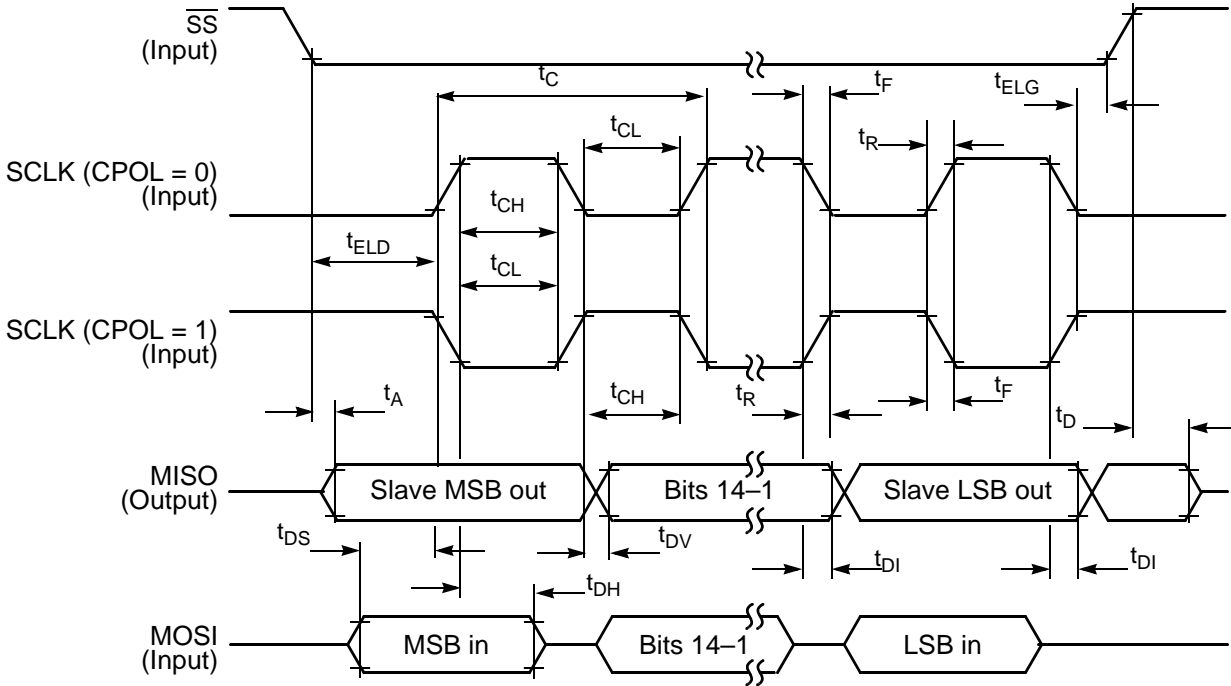


Figure 3-20 SPI Slave Timing (CPHA = 0)

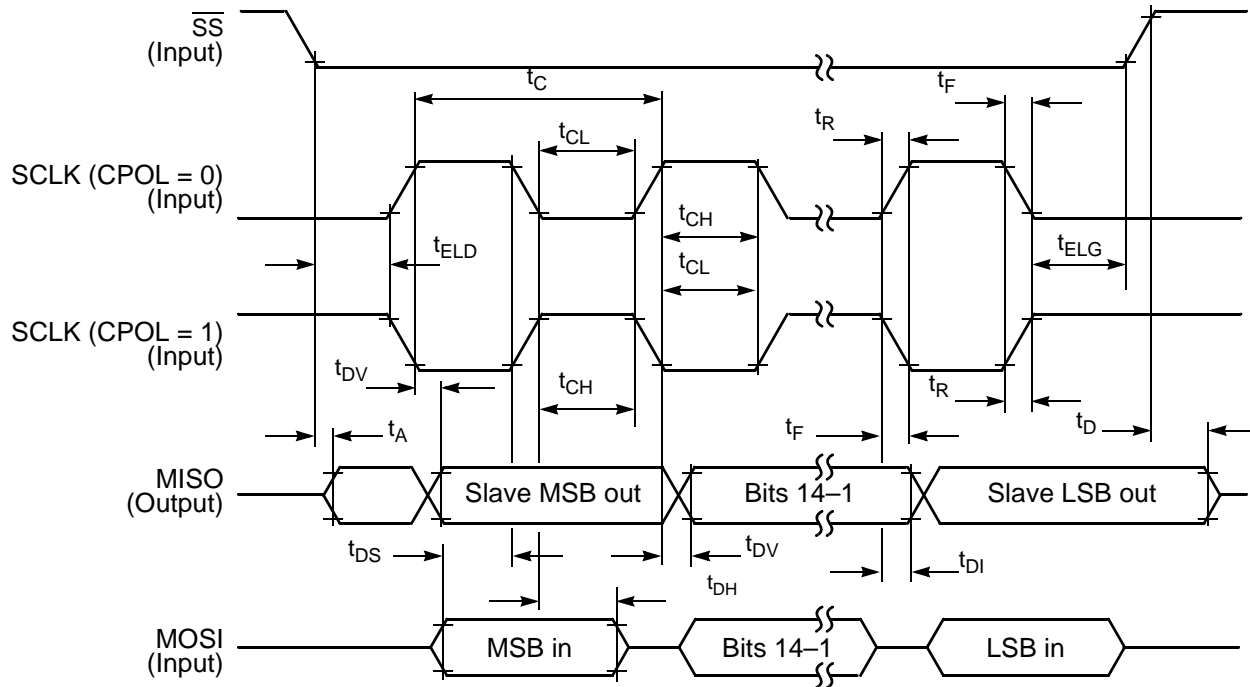


Figure 3-21 SPI Slave Timing (CPHA = 1)

3.9 Quad Timer Timing

Table 3-13 Timer Timing^{1, 2}

Operating Conditions: $V_{SS} = V_{SSA} = 0\text{ V}$, $V_{DD} = V_{DDA} = 3.0\text{--}3.6\text{ V}$, $T_A = -40^\circ\text{ to }+85^\circ\text{ C}$, $C_L \leq 50\text{ pF}$, $f_{OP} = 80\text{ MHz}$

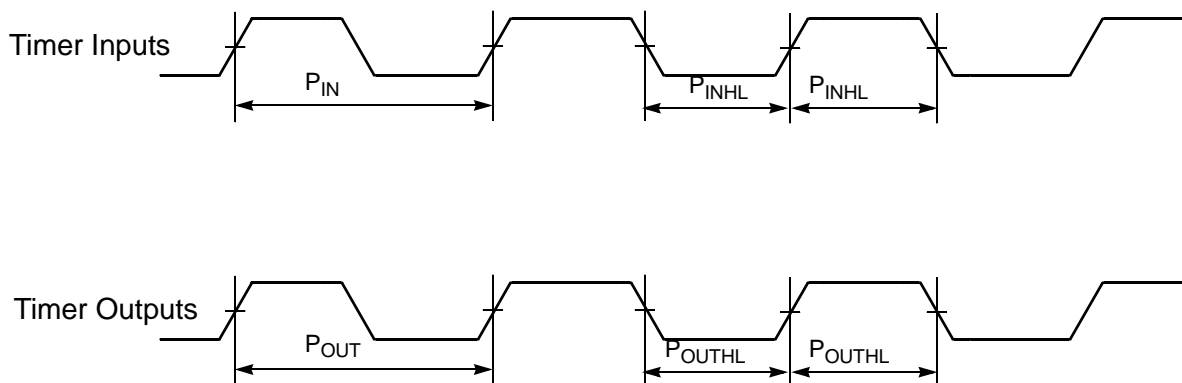
Characteristic	Symbol	Min	Max	Unit
Timer input period	P_{IN}	$4T+6$	—	ns
Timer input high/low period	P_{INHL}	$2T+3$	—	ns
Timer output period	P_{OUT}	$2T$	—	ns

Table 3-13 Timer Timing^{1, 2}

 Operating Conditions: $V_{SS} = V_{SSA} = 0\text{ V}$, $V_{DD} = V_{DDA} = 3.0\text{--}3.6\text{ V}$, $T_A = -40^\circ\text{ to }+85^\circ\text{ C}$, $C_L \leq 50\text{ pF}$, $f_{OP} = 80\text{ MHz}$

Timer output high/low period	P_{OUTHL}	$1T$	—	ns
------------------------------	-------------	------	---	----

1. In the formulas listed, T = clock cycle. For 80MHz operation, $T = 12.5\text{ ns}$.
2. Parameters listed are guaranteed by design.


Figure 3-22 Timer Timing

3.10 Quadrature Decoder Timing

Table 3-14 Quadrature Decoder Timing^{1,2}

 Operating Conditions: $V_{SS} = V_{SSA} = 0\text{ V}$, $V_{DD} = V_{DDA} = 3.0\text{--}3.6\text{ V}$, $T_A = -40^\circ\text{ to }+85^\circ\text{ C}$, $C_L \leq 50\text{ pF}$, $f_{OP} = 80\text{ MHz}$

Characteristic	Symbol	Min	Max	Unit
Quadrature input period	P_{IN}	$8T+12$	—	ns
Quadrature input high/low period	P_{HL}	$4T+6$	—	ns
Quadrature phase period	P_{PH}	$2T+3$	—	ns

1. In the formulas listed, T = clock cycle. For 80MHz operation, $T = 12.5\text{ ns}$. $V_{SS} = 0\text{ V}$, $V_{DD} = 3.0\text{--}3.6\text{ V}$, $T_A = -40^\circ\text{ to }+85^\circ\text{ C}$, $C_L \leq 50\text{ pF}$.
2. Parameters listed are guaranteed by design.

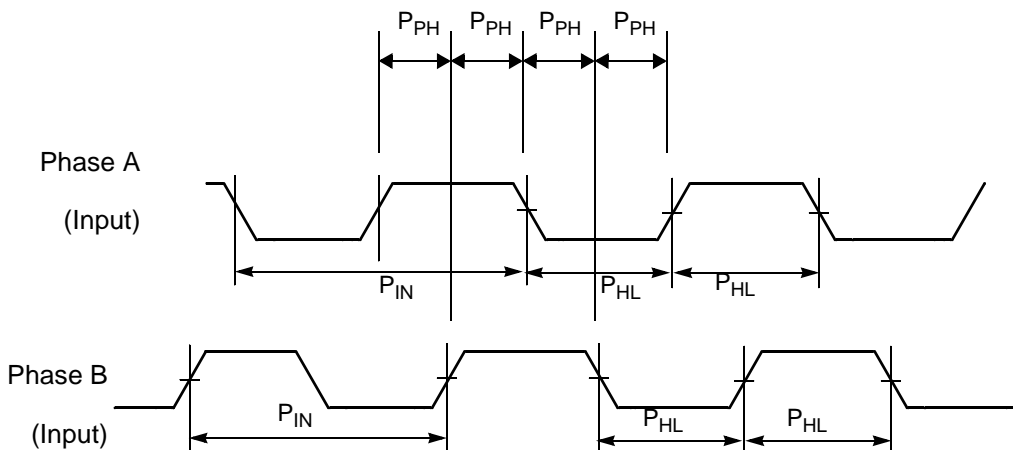


Figure 3-23 Quadrature Decoder Timing

3.11 Serial Communication Interface (SCI) Timing

Table 3-15 SCI Timing⁴

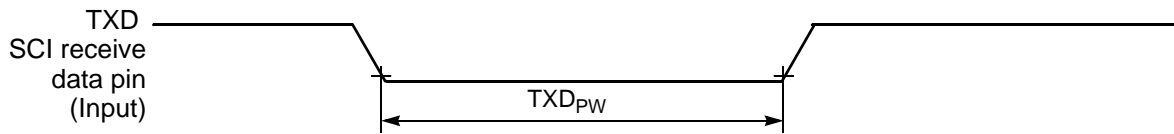
Operating Conditions: $V_{SS} = V_{SSA} = 0\text{ V}$, $V_{DD} = V_{DDA} = 3.0\text{--}3.6\text{ V}$, $T_A = -40^\circ\text{ to }+85^\circ\text{C}$, $C_L \leq 50\text{ pF}$, $f_{OP} = 80\text{ MHz}$

Characteristic	Symbol	Min	Max	Unit
Baud Rate ¹	BR	—	$(f_{MAX} * 2.5) / (80)$	Mbps
RXD ² Pulse Width	RXD _{PW}	$0.965 / \text{BR}$	$1.04 / \text{BR}$	ns
TXD ³ Pulse Width	TXD _{PW}	$0.965 / \text{BR}$	$1.04 / \text{BR}$	ns

1. f_{MAX} is the frequency of operation of the system clock in MHz.
2. The RXD pin in SCI0 is named RXD0 and the RXD pin in SCI1 is named RXD1.
3. The TXD pin in SCI0 is named TXD0 and the TXD pin in SCI1 is named TXD1.
4. Parameters listed are guaranteed by design.



Figure 3-24 RXD Pulse Width


Figure 3-25 TXD Pulse Width

3.12 Analog-to-Digital Converter (ADC) Characteristics

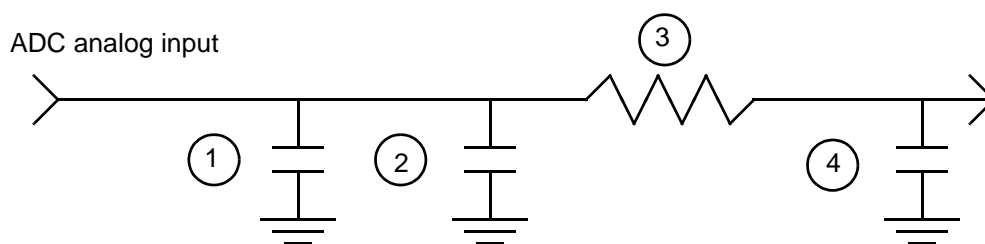
Table 3-16 ADC Characteristics

Characteristic	Symbol	Min	Typ	Max	Unit
ADC input voltages	V_{ADCIN}	0 ¹	—	V_{REF} ²	V
Resolution	R_{ES}	12	—	12	Bits
Integral Non-Linearity ³	INL	—	+/- 2.5	+/- 4	LSB ⁴
Differential Non-Linearity	DNL	—	+/- 0.9	+/- 1	LSB ⁴
Monotonicity	GUARANTEED				
ADC internal clock ⁵	f_{ADIC}	0.5	—	5	MHz
Conversion range	R_{AD}	V_{SSA}	—	V_{DDA}	V
Power-up time	t_{ADPU}	—	16	—	t_{AIC} cycles ⁶
Conversion time	t_{ADC}	—	6	—	t_{AIC} cycles ⁶
Sample time	t_{ADS}	—	1	—	t_{AIC} cycles ⁶
Input capacitance	C_{ADI}	—	5	—	pF ⁶
Gain Error (transfer gain) ⁵	E_{GAIN}	0.95	1.00	1.10	—
Offset Voltage ⁵	V_{OFFSET}	-80	-15	+20	mV
Total Harmonic Distortion ⁵	THD	60	64	—	dB
Signal-to-Noise plus Distortion ⁵	SINAD	55	60	—	dB
Effective Number of Bits ⁵	ENOB	9	10	—	bit
Spurious Free Dynamic Range ⁵	SFDR	65	70	—	dB
Bandwidth	BW	—	100	—	KHz

Table 3-16 ADC Characteristics

Characteristic	Symbol	Min	Typ	Max	Unit
ADC Quiescent Current (both ADCs)	I_{ADC}	—	50	—	mA
V_{REF} Quiescent Current (both ADCs)	I_{VREF}	—	12	16.5	mA

1. For optimum ADC performance, keep the minimum V_{ADCIN} value $\geq 25mV$. Inputs less than 25mV may convert to a digital output code of 0.
2. V_{REF} must be equal to or less than V_{DDA} and must be greater than 2.7V. For optimal ADC performance, set V_{REF} to $V_{DDA}-0.3V$.
3. Measured in 10-90% range.
4. LSB = Least Significant Bit.
5. Guaranteed by characterization.
6. $t_{AIC} = 1/f_{ADIC}$



1. Parasitic capacitance due to package, pin to pin, and pin to package base coupling. (1.8pf)
2. Parasitic capacitance due to the chip bond pad, ESD protection devices and signal routing. (2.04pf)
3. Equivalent resistance for the ESD isolation resistor and the channel select mux. (500 ohms)
4. Sampling capacitor at the sample and hold circuit. (1pf)

Figure 3-26 Equivalent Analog Input Circuit

3.13 Controller Area Network (CAN) Timing

Table 3-17 CAN Timing²

Operating Conditions: $V_{SS} = V_{SSA} = 0 V$, $V_{DD} = V_{DDA} = 3.0-3.6 V$, $T_A = -40 \times$ to $+85 \times C$, $C_L \leq 50pF$, MSCAN Clock = 30MHz

Characteristic	Symbol	Min	Max	Unit
Baud Rate	BR_{CAN}	—	1	Mbps
Bus Wakeup detection ¹	T_{WAKEUP}	5	—	μs

1. If Wakeup glitch filter is enabled during the design initialization and also CAN is put into SLEEP mode then, any bus event (on MSCAN_RX pin) whose duration is less than 5 micro seconds is filtered away. However, a valid CAN bus wakeup detection takes place for a wakeup pulse equal to or greater than 5 microseconds. The value of 5 microseconds originates from the fact that the CAN wakeup message consists of 5 dominant bits at the highest possible baud rate of 1Mbps.
2. Parameters listed are guaranteed by design.

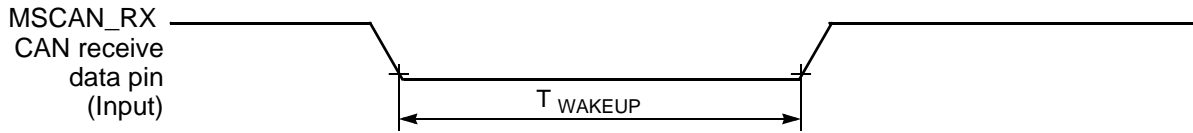


Figure 3-27 Bus Wakeup Detection

3.14 JTAG Timing

Table 3-18 JTAG Timing^{1, 3}

Operating Conditions: $V_{SS} = V_{SSA} = 0\text{ V}$, $V_{DD} = V_{DDA} = 3.0\text{--}3.6\text{ V}$, $T_A = -40^\circ\text{ to }+85^\circ\text{C}$, $C_L \leq 50\text{pF}$, $f_{OP} = 80\text{MHz}$

Characteristic	Symbol	Min	Max	Unit
TCK frequency of operation ²	f_{OP}	DC	10	MHz
TCK cycle time	t_{CY}	100	—	ns
TCK clock pulse width	t_{PW}	50	—	ns
TMS, TDI data set-up time	t_{DS}	0.4	—	ns
TMS, TDI data hold time	t_{DH}	1.2	—	ns
TCK low to TDO data valid	t_{DV}	—	26.6	ns
TCK low to TDO tri-state	t_{TS}	—	23.5	ns
$\overline{\text{TRST}}$ assertion time	t_{TRST}	50	—	ns
$\overline{\text{DE}}$ assertion time	t_{DE}	4T	—	ns

1. Timing is both wait state and frequency dependent. For the values listed, T = clock cycle. For 80MHz operation, T = 12.5ns.

2. TCK frequency of operation must be less than 1/8 the processor rate.

3. Parameters listed are guaranteed by design.

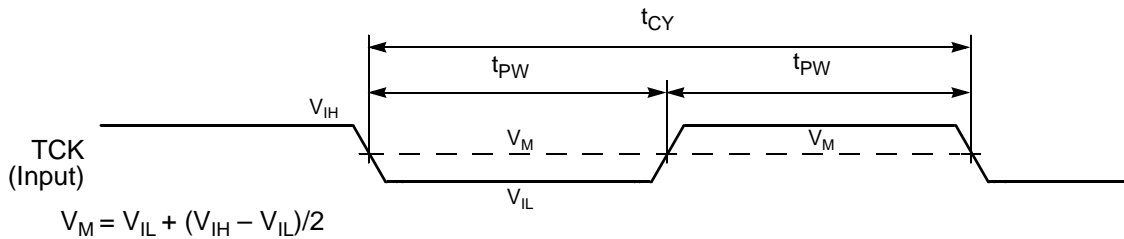


Figure 3-28 Test Clock Input Timing Diagram

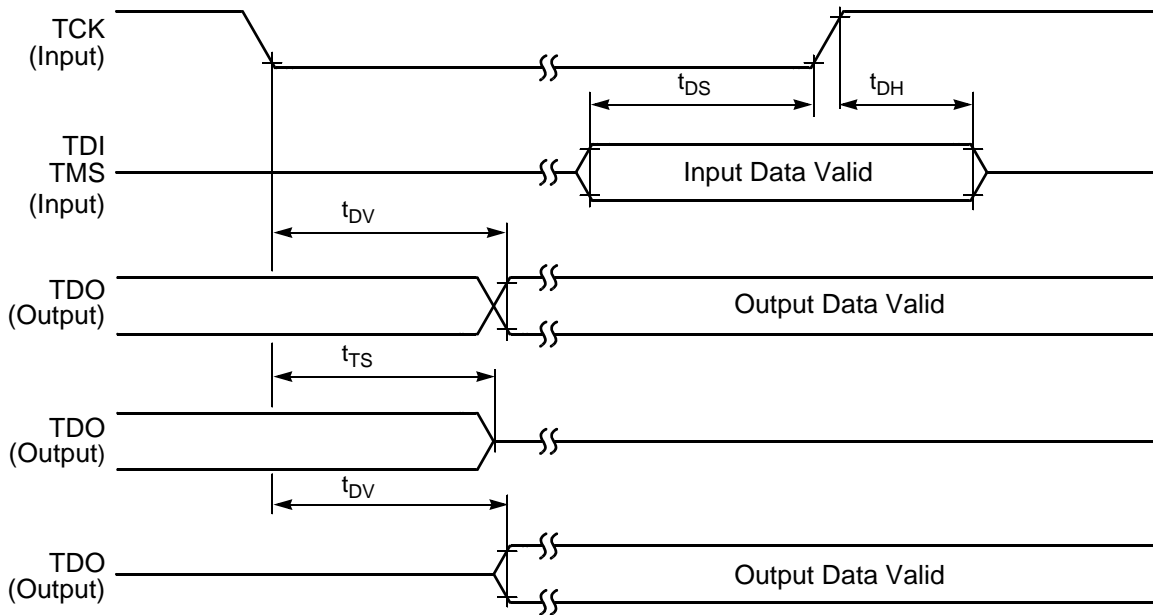


Figure 3-29 Test Access Port Timing Diagram



Figure 3-30 TRST Timing Diagram



Figure 3-31 OnCE—Debug Event

Part 4 Packaging

4.1 Package and Pin-Out Information 56F803

This section contains package and pin-out information for the 100-pin LQFP configuration of the 56F803.

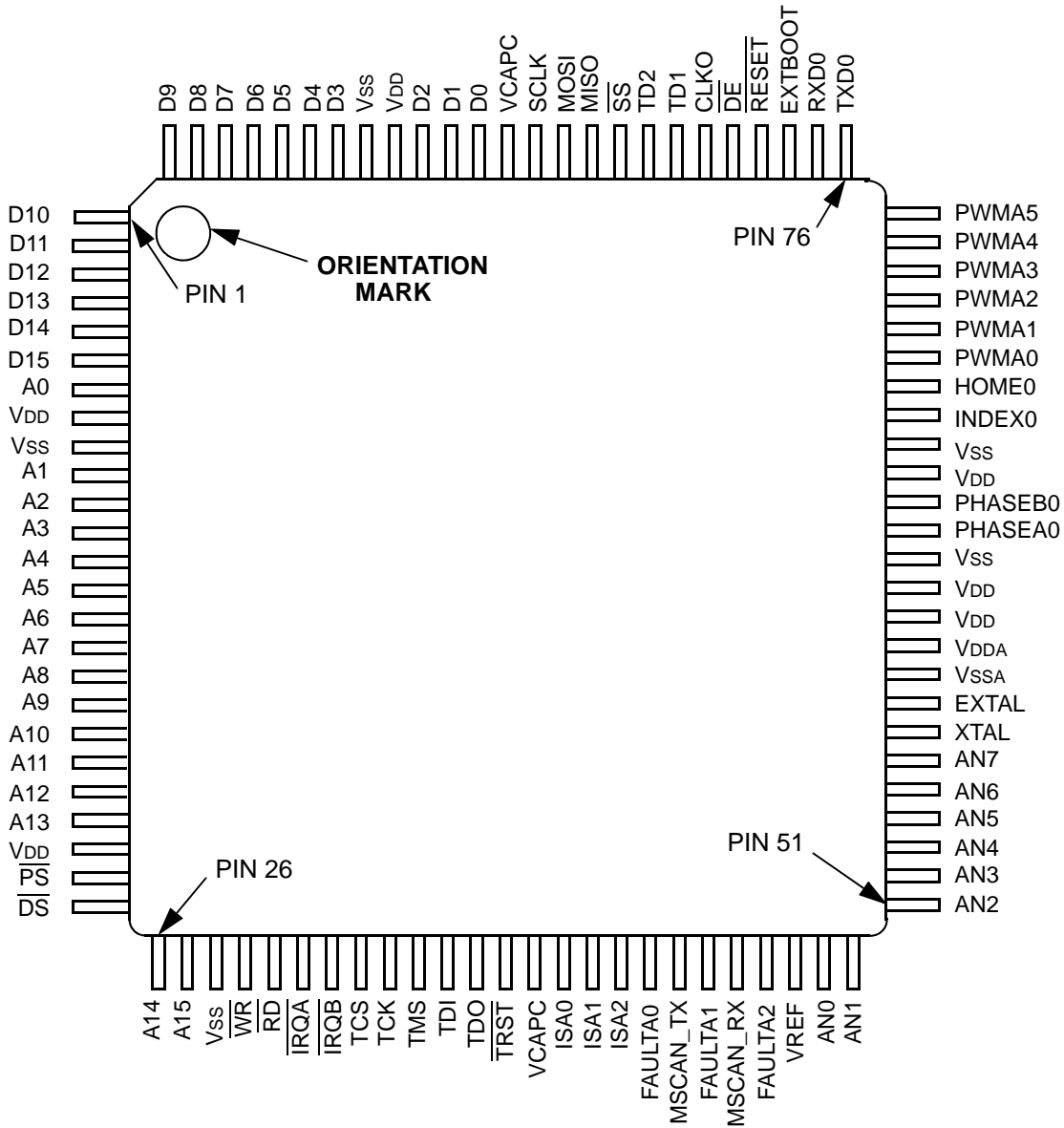
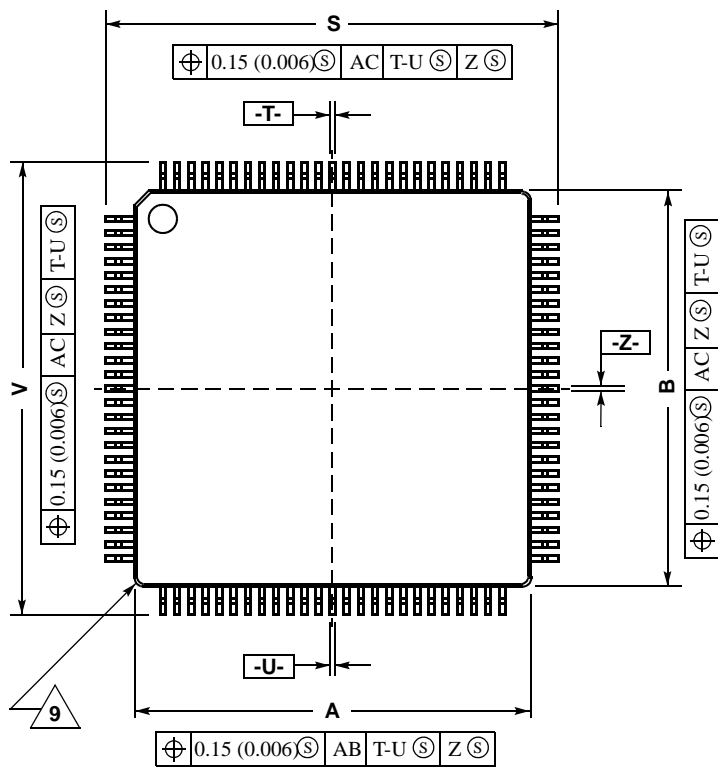


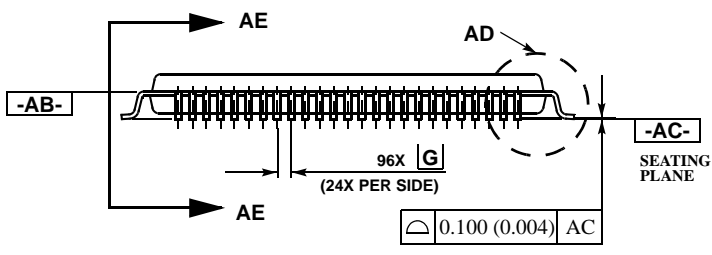
Figure 4-1 Top View, 56F803 100-pin LQFP Package

Table 4-1 56F803 Pin Identification By Pin Number

Pin No.	Signal Name	Pin No.	Signal Name	Pin No.	Signal Name	Pin No.	Signal Name
1	D10	26	A14	51	AN2	76	TXD0
2	D11	27	A15	52	AN3	77	RXD0
3	D12	28	V _{SS}	53	AN4	78	EXTBOOT
4	D13	29	WR	54	AN5	79	$\overline{\text{RESET}}$
5	D14	30	RD	55	AN6	80	$\overline{\text{DE}}$
6	D15	31	$\overline{\text{IRQA}}$	56	AN7	81	CLKO
7	A0	32	$\overline{\text{IRQB}}$	57	XTAL	82	TD1
8	V _{DD}	33	TCS	58	EXTAL	83	TD2
9	V _{SS}	34	TCK	59	V _{SSA}	84	SS
10	A1	35	TMS	60	V _{DDA}	85	MISO
11	A2	36	TDI	61	V _{DD}	86	MOSI
12	A3	37	TDO	62	V _{DD}	87	SCLK
13	A4	38	TRST	63	V _{SS}	88	VCAPC
14	A5	39	VCAPC	64	PHASEA0	89	D0
15	A6	40	ISA0	65	PHASEB0	90	D1
16	A7	41	ISA1	66	V _{DD}	91	D2
17	A8	42	ISA2	67	V _{SS}	92	V _{DD}
18	A9	43	FAULTA0	68	INDEX0	93	V _{SS}
19	A10	44	MSCAN_TX	69	HOME0	94	D3
20	A11	45	FAULTA1	70	PWMA0	95	D4
21	A12	46	MSCAN_RX	71	PWMA1	96	D5
22	A13	47	FAULTA2	72	PWMA2	97	D6
23	V _{DD}	48	VREF	73	PWMA3	98	D7
24	$\overline{\text{PS}}$	49	AN0	74	PWMA4	99	D8
25	$\overline{\text{DS}}$	50	AN1	75	PWMA5	100	D9



- NOTES:
1. DIMENSIONING AND TOLERANCING PER ANSI Y14.5M, 1982.
 2. CONTROLLING DIMENSION: MILLIMETER.
 3. DATUM PLANE -AB- IS LOCATED AT BOTTOM OF LEAD AND IS COINCIDENT WITH THE LEAD WHERE THE LEAD EXITS THE PLASTIC BODY AT THE BOTTOM OF THE PARTING LINE.
 4. DATUMS -T-, -U-, AND -Z- TO BE DETERMINED AT DATUM PLANE -AB-.
 5. DIMENSIONS S AND V TO BE DETERMINED AT SEATING PLANE -AC-.
 6. DIMENSIONS A AND B DO NOT INCLUDE MOLD PROTRUSION. ALLOWABLE PROTRUSION IS 0.250 (0.010) PER SIDE. DIMENSIONS A AND B DO INCLUDE MOLD MISMATCH AND ARE DETERMINED AT DATUM PLANE -AB-.
 7. DIMENSION D DOES NOT INCLUDE DAMBAR PROTRUSION. DAMBAR PROTRUSION SHALL NOT CAUSE THE D DIMENSION TO EXCEED 0.350 (0.014). DAMBAR CAN NOT BE LOCATED ON THE LOWER RADIUS OR THE FOOT. MINIMUM SPACE BETWEEN PROTRUSION AND AN ADJACENT LEAD IS 0.070 (0.003).
 8. MINIMUM SOLDER PLATE THICKNESS SHALL BE 0.0076 (0.003).
 9. EXACT SHAPE OF EACH CORNER MAY VARY FROM DEPICTION.



DIM	MILLIMETERS		INCHES	
	MIN	MAX	MIN	MAX
A	13.950	14.050	0.549	0.553
B	13.950	14.050	0.549	0.553
C	1.400	1.600	0.055	0.063
D	0.170	0.270	0.007	0.011
E	1.350	1.450	0.053	0.057
F	0.170	0.230	0.007	0.009
G	0.500 BSC		0.020 BSC	
H	0.050	0.150	0.002	0.006
J	0.090	0.200	0.004	0.008
K	0.500	0.700	0.020	0.028
M	12° REF		12° REF	
N	0.090	0.160	0.004	0.006
Q	1°	5°	1°	5°
R	0.150	0.250	0.006	0.010
S	15.950	16.050	0.628	0.632
V	15.950	16.050	0.628	0.632
W	0.200 REF		0.008 REF	
X	1.000 REF		0.039 REF	

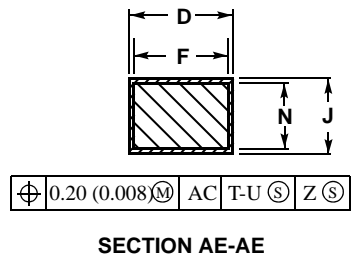
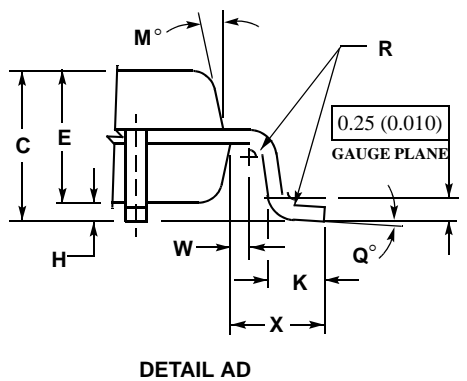


Figure 4-2 100-pin LQPF Mechanical Information

Please see www.freescale.com for the most current case outline.

Part 5 Design Considerations

5.1 Thermal Design Considerations

An estimation of the chip junction temperature, T_J , in °C can be obtained from the equation:

$$\text{Equation 1: } T_J = T_A + (P_D \times R_{\theta JA})$$

Where:

T_A = ambient temperature °C

$R_{\theta JA}$ = package junction-to-ambient thermal resistance °C/W

P_D = power dissipation in package

Historically, thermal resistance has been expressed as the sum of a junction-to-case thermal resistance and a case-to-ambient thermal resistance:

$$\text{Equation 2: } R_{\theta JA} = R_{\theta JC} + R_{\theta CA}$$

Where:

$R_{\theta JA}$ = package junction-to-ambient thermal resistance °C/W

$R_{\theta JC}$ = package junction-to-case thermal resistance °C/W

$R_{\theta CA}$ = package case-to-ambient thermal resistance °C/W

$R_{\theta JC}$ is device-related and cannot be influenced by the user. The user controls the thermal environment to change the case-to-ambient thermal resistance, $R_{\theta CA}$. For example, the user can change the air flow around the device, add a heat sink, change the mounting arrangement on the Printed Circuit Board (PCB), or otherwise change the thermal dissipation capability of the area surrounding the device on the PCB. This model is most useful for ceramic packages with heat sinks; some 90% of the heat flow is dissipated through the case to the heat sink and out to the ambient environment. For ceramic packages, in situations where the heat flow is split between a path to the case and an alternate path through the PCB, analysis of the device thermal performance may need the additional modeling capability of a system level thermal simulation tool.

The thermal performance of plastic packages is more dependent on the temperature of the PCB to which the package is mounted. Again, if the estimations obtained from $R_{\theta JA}$ do not satisfactorily answer whether the thermal performance is adequate, a system level model may be appropriate.

Definitions:

A complicating factor is the existence of three common definitions for determining the junction-to-case thermal resistance in plastic packages:

- Measure the thermal resistance from the junction to the outside surface of the package (case) closest to the chip mounting area when that surface has a proper heat sink. This is done to minimize temperature variation

How to Reach Us:

Home Page:
freescale.com

Web Support:
freescale.com/support

Information in this document is provided solely to enable system and software implementers to use Freescale products. There are no express or implied copyright licenses granted hereunder to design or fabricate any integrated circuits based on the information in this document.

Freescale reserves the right to make changes without further notice to any products herein. Freescale makes no warranty, representation, or guarantee regarding the suitability of its products for any particular purpose, nor does Freescale assume any liability arising out of the application or use of any product or circuit, and specifically disclaims any and all liability, including without limitation consequential or incidental damages. "Typical" parameters that may be provided in Freescale data sheets and/or specifications can and do vary in different applications, and actual performance may vary over time. All operating parameters, including "typicals," must be validated for each customer application by customer's technical experts. Freescale does not convey any license under its patent rights nor the rights of others. Freescale sells products pursuant to standard terms and conditions of sale, which can be found at the following address: freescale.com/SalesTermsandConditions.

Freescale and the Freescale logo are trademarks of Freescale Semiconductor, Inc., Reg. U.S. Pat. & Tm. Off. All other product or service names are the property of their respective owners. This product incorporates SuperFlash® technology licensed from SST.

RoHS-compliant and/or Pb-free versions of Freescale products have the functionality and electrical characteristics of their non-RoHS-compliant and/or non-Pb-free counterparts.

© 2005, 2007, 2015 Freescale Semiconductor, Inc. All rights reserved.

Document Number: DSP56F803
Rev. 17
10/2015

X-ON Electronics

Largest Supplier of Electrical and Electronic Components

Click to view similar products for [Digital Signal Processors & Controllers - DSP, DSC category](#):

Click to view products by [NXP manufacturer](#):

Other Similar products are found below :

[PIC33FJ32GP104-I/PT](#) [ADSP-2189NBCAZ-320](#) [ADSP-BF703BBCZ-3](#) [ADSP-2185MKCAZ-300](#) [ADSP-BF701KBCZ-1](#) [646890G](#) [ADSP-BF701KBCZ-2](#) [ADSP-BF703BBCZ-4](#) [0W888-002-XTP](#) [ADBF704WCCPZ311](#) [AD21573WCBCZ402](#) [ADSC572WCBCZ302](#) [ADSC572WCBCZ402](#) [ADSC572WCBCZ4202](#) [ADSC572WCBCZ4200](#) [ADSC572WCBCZ400](#) [ADSC573WCBCZ300](#) [ADSC573WCBCZ500](#) [ADSC571WCSWZ300](#) [ADSC571WCSWZ500](#) [ADSC571WCSWZ400](#) [ADSP-21567KBCZ6](#) [ADSP-21567KBCZ8](#) [ADSC570WCSWZ502](#) [AD21488WBCPZ302](#) [AD21488WBCPZ4202](#) [ADSC570WCSWZ402](#) [ADSC570WCSWZ4202](#) [AD21488WBCPZ402](#) [AD21488WBCPZ202](#) [DSPIC33EP64MC202-E/SP](#) [ADSP-21583KBCZ-4A](#) [ADSP-BF701BBCZ-2](#) [ADSP-BF705BBCZ-4](#) [ADSP-SC582BBCZ-4A](#) [ADSP-SC584KBCZ-4A](#) [ADSP-SC584BBCZ-3A](#) [TMS320VC5506ZHH](#) [DSPIC33FJ256GP510A-I/PT](#) [DSPIC33FJ16MC304-I/PT](#) [DSPIC33FJ16GS502-50I/SP](#) [DSPIC33FJ06GS102-I/SP](#) [DSPIC33EP32GS202-I/MX](#) [DSPIC33EP32GS202-I/M6](#) [DSPIC33EP16GS202-I/M6](#) [DSPIC30F2011-30I/ML](#) [DSPIC33FJ32GS610-50I/PT](#) [DSPIC33FJ32GP202-E/MM](#) [DSPIC33FJ256GP510A-I/PF](#) [DSPIC33EP16GS504-I/PT](#)