



# LPC3130/3131

Low-cost, low-power ARM926EJ-S MCUs with high-speed USB 2.0 OTG, SD/MMC, and NAND flash controller

Rev. 2 — 29 May 2012

Product data sheet

## 1. General description

---

The NXP LPC3130/3131 combine an 180 MHz ARM926EJ-S CPU core, high-speed USB 2.0 On-The-Go (OTG), up to 192 KB SRAM, NAND flash controller, flexible external bus interface, four channel 10-bit ADC, and a myriad of serial and parallel interfaces in a single chip targeted at consumer, industrial, medical, and communication markets. To optimize system power consumption, the LPC3130/3131 have multiple power domains and a very flexible Clock Generation Unit (CGU) that provides dynamic clock gating and scaling.

## 2. Features and benefits

---

### 2.1 Key features

- CPU platform
  - ◆ 180 MHz, 32-bit ARM926EJ-S
  - ◆ 16 kB D-cache and 16 kB I-cache
  - ◆ Memory Management Unit (MMU)
- Internal memory
  - ◆ 96 kB (LPC3130) or 192 kB (LPC3131) embedded SRAM
- External memory interface
  - ◆ NAND flash controller with 8-bit ECC
  - ◆ 8/16-bit Multi-Port Memory Controller (MPMC): SDRAM and SRAM
- Communication and connectivity
  - ◆ High-speed USB 2.0 (OTG, Host, Device) with on-chip PHY
  - ◆ Two I<sup>2</sup>S-bus interfaces
  - ◆ Integrated master/slave SPI
  - ◆ Two master/slave I<sup>2</sup>C-bus interfaces
  - ◆ Fast UART
  - ◆ Memory Card Interface (MCI): MMC/SD/SDIO/CE-ATA
  - ◆ Four-channel 10-bit ADC
  - ◆ Integrated 4/8/16-bit 6800/8080 compatible LCD interface
- System functions
  - ◆ Dynamic clock gating and scaling
  - ◆ Multiple power domains
  - ◆ Selectable boot-up: SPI flash, NAND flash, SD/MMC cards, UART, or USB
  - ◆ DMA controller



- ◆ Four 32-bit timers
- ◆ Watchdog timer
- ◆ PWM module
- ◆ Random Number Generator (RNG)
- ◆ General Purpose I/O (GPIO) pins
- ◆ Flexible and versatile interrupt structure
- ◆ JTAG interface with boundary scan and ARM debug access
- Operating voltage and temperature
  - ◆ Core voltage: 1.2 V
  - ◆ I/O voltage: 1.8 V, 3.3 V
  - ◆ Temperature: -40 °C to +85 °C
- TFBGA180 package: 12 × 12 mm<sup>2</sup>, 0.8 mm pitch

### 3. Ordering information

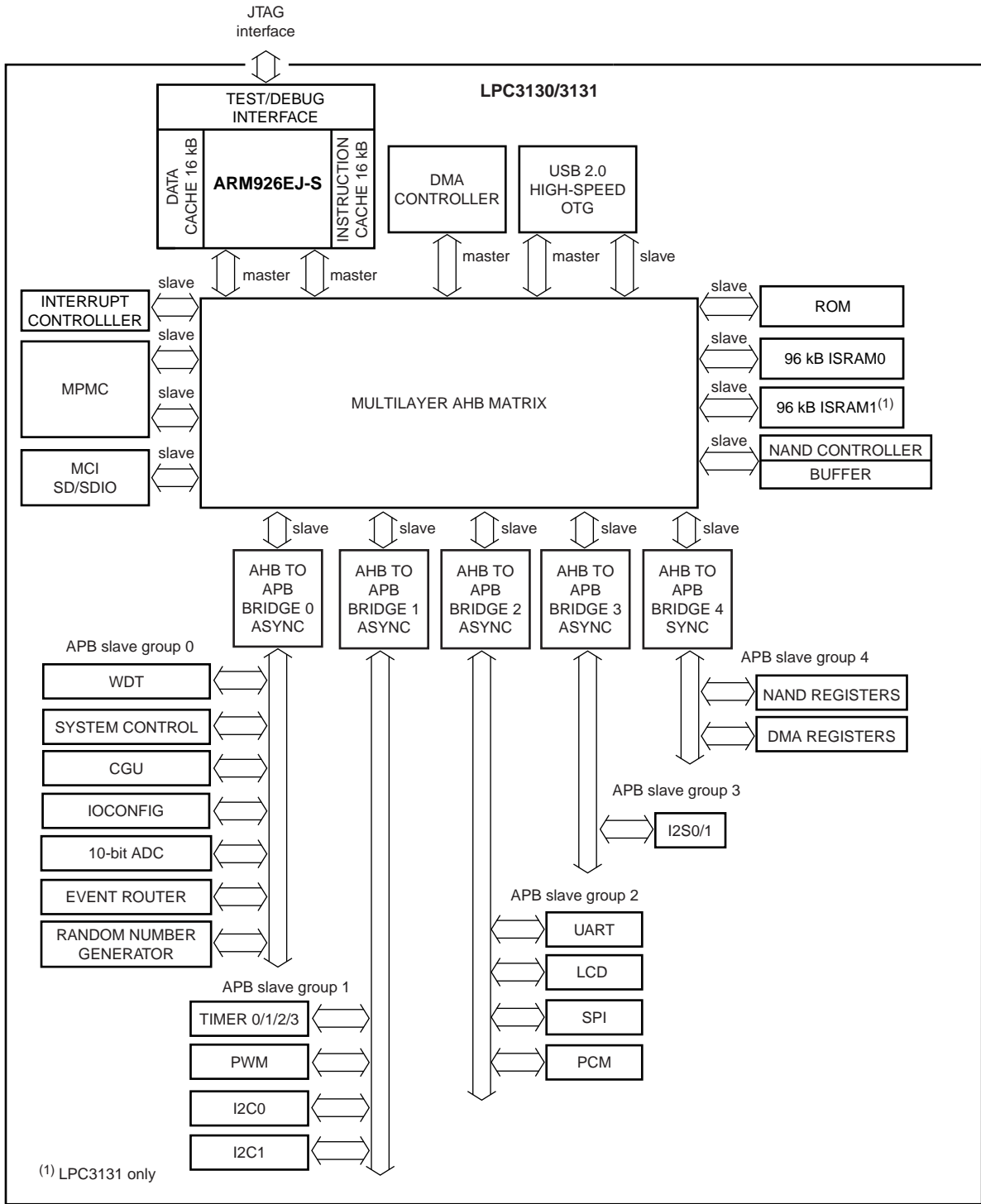
Table 1. Ordering information

| Type number   | Package  |   | Version  |
|---------------|----------|---|----------|
|               | Name     | Description   |          |
| LPC3130FET180 | TFBGA180 | plastic thin fine pitch ball grid array package, 180 balls, body 12 × 12 × 0.8 mm | SOT570-3 |
| LPC3131FET180 | TFBGA180 | plastic thin fine pitch ball grid array package, 180 balls, body 12 × 12 × 0.8 mm | SOT570-3 |

Table 2. Ordering options for LPC3130/3131

| Type number   | Core/bus frequency | Total SRAM | High-speed USB   | 10-bit ADC channels | I <sup>2</sup> S-bus/ I <sup>2</sup> C-bus | MCI SDHC/ SDIO/ CE-ATA | Temperature range |
|---------------|--------------------|------------|------------------|---------------------|--|------------------------|-------------------|
| LPC3130FET180 | 180 MHz/ 90 MHz    | 96 kB      | Device/ Host/OTG | 4                   | 2 each                                     | yes                    | -40 °C to +85 °C  |
| LPC3131FET180 | 180 MHz/ 90 MHz    | 192 kB     | Device/ Host/OTG | 4                   | 2 each                                     | yes                    | -40 °C to +85 °C  |

4. Block diagram

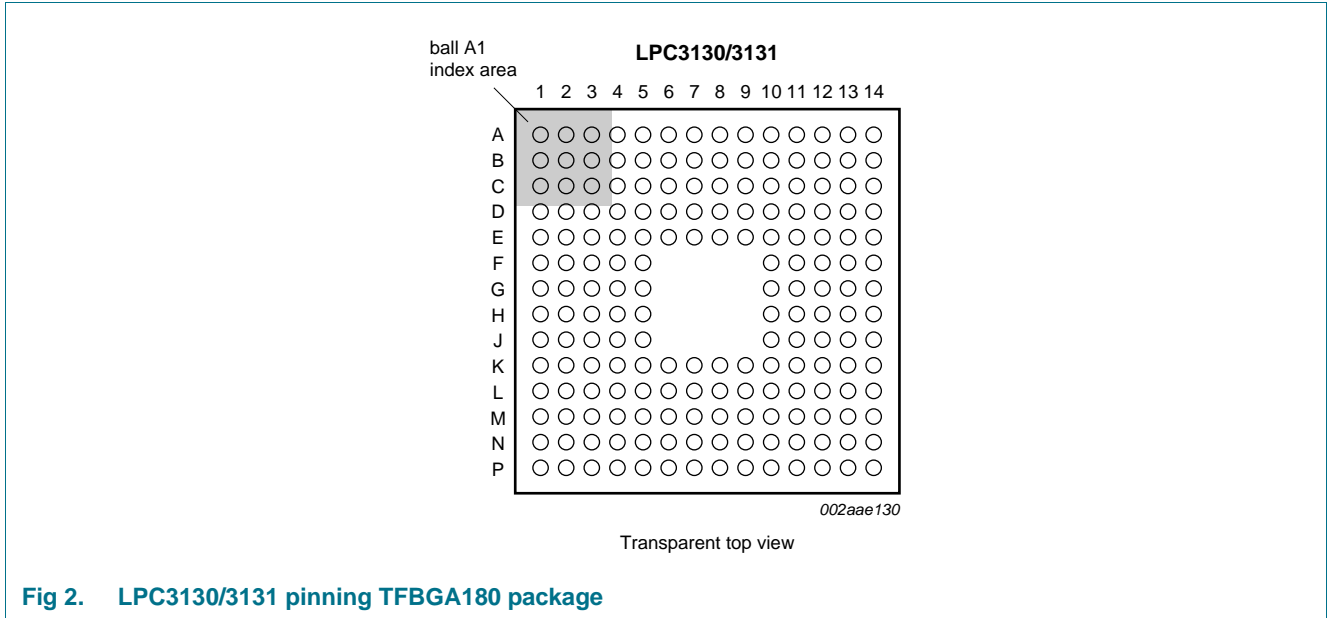


002aae124

Fig 1. LPC3130/3131 block diagram

## 5. Pinning information

### 5.1 Pinning



**Table 3. Pin allocation table**

| Pin          | Symbol        | Pin | Symbol      | Pin | Symbol      | Pin | Symbol      |
|--------------|---------------|-----|-------------|-----|-------------|-----|-------------|
| <b>Row A</b> |               |     |             |     |             |     |             |
| 1            | EBI_D_10      | 2   | EBI_A_1_CLE | 3   | EBI_D_9     | 4   | mGPIO10     |
| 5            | mGPIO7        | 6   | mGPIO6      | 7   | SPI_CS_OUT0 | 8   | SPI_SCK     |
| 9            | VDDI          | 10  | FFAST_IN    | 11  | VSSI        | 12  | ADC10B_GNDA |
| 13           | ADC10B_VDDA33 | 14  | ADC10B_GPA1 | -   | -           | -   | -           |
| <b>Row B</b> |               |     |             |     |             |     |             |
| 1            | EBI_D_8       | 2   | VDDE_IOA    | 3   | EBI_A_0_ALE | 4   | mNAND_RYBN2 |
| 5            | mGPIO8        | 6   | mGPIO5      | 7   | SPI_MOSI    | 8   | SPI_CS_IN   |
| 9            | PWM_DATA      | 10  | FFAST_OUT   | 11  | GPIO3       | 12  | VSSE_IOC    |
| 13           | ADC10B_GPA2   | 14  | ADC10B_GPA0 | -   | -           | -   | -           |
| <b>Row C</b> |               |     |             |     |             |     |             |
| 1            | EBI_D_7       | 2   | EBI_D_11    | 3   | VSSE_IOA    | 4   | VSSE_IOA    |
| 5            | mGPIO9        | 6   | VDDI        | 7   | VSSI        | 8   | SPI_MISO    |
| 9            | VDDI          | 10  | I2C_SDA0    | 11  | GPIO4       | 12  | VDDI        |
| 13           | VDDE_IOC      | 14  | ADC10B_GPA3 | -   | -           | -   | -           |
| <b>Row D</b> |               |     |             |     |             |     |             |
| 1            | EBI_D_5       | 2   | EBI_D_6     | 3   | EBI_D_13    | 4   | mNAND_RYBN3 |
| 5            | VDDE_IOC      | 6   | VSSE_IOC    | 7   | VDDE_IOC    | 8   | VSSE_IOC    |
| 9            | VSSE_IOC      | 10  | I2C_SCL0    | 11  | VDDA12      | 12  | VSSI        |
| 13           | BUF_TCK       | 14  | BUF_TMS     | -   | -           | -   | -           |

Table 3. Pin allocation table ...continued

| Pin          | Symbol           | Pin | Symbol           | Pin | Symbol        | Pin | Symbol       |
|--------------|------------------|-----|------------------|-----|---------------|-----|--------------|
| <b>Row E</b> |                  |     |                  |     |               |     |              |
| 1            | EBI_D_3          | 2   | EBI_D_4          | 3   | EBI_D_14      | 4   | VSSE_IOA     |
| 5            | VDDE_IOA         | 6   | mNAND_RYBN0      | 7   | mNAND_RYBN1   | 8   | VDDE_IOC     |
| 9            | VSSA12           | 10  | VDDA12           | 11  | ARM_TDO       | 12  | I2C_SDA1     |
| 13           | I2C_SCL1         | 14  | I2STX_BCK1       | -   | -             | -   | -            |
| <b>Row F</b> |                  |     |                  |     |               |     |              |
| 1            | EBI_D_2          | 2   | EBI_D_1          | 3   | EBI_D_15      | 4   | VSSE_IOA     |
| 5            | VDDE_IOA         | 10  | SCAN_TDO         | 11  | BUF_TRST_N    | 12  | I2STX_DATA1  |
| 13           | I2SRX_WS1        | 14  | I2SRX_BCK1       | -   | -             | -   | -            |
| <b>Row G</b> |                  |     |                  |     |               |     |              |
| 1            | EBI_NCAS_BLOUT_0 | 2   | EBI_D_0          | 3   | EBI_D_12      | 4   | VSSI         |
| 5            | VDDE_IOA         | 10  | I2STX_WS1        | 11  | VSSE_IOC      | 12  | VDDE_IOC     |
| 13           | SYSCLK_O         | 14  | I2SRX_DATA1      | -   | -             | -   | -            |
| <b>Row H</b> |                  |     |                  |     |               |     |              |
| 1            | EBI_DQM_0_NOE    | 2   | EBI_NRAS_BLOUT_1 | 3   | VDDI          | 4   | VSSE_IOA     |
| 5            | VDDE_IOA         | 10  | GPIO12           | 11  | GPIO19        | 12  | CLK_256FS_O  |
| 13           | GPIO11           | 14  | RSTIN_N          | -   | -             | -   | -            |
| <b>Row J</b> |                  |     |                  |     |               |     |              |
| 1            | NAND_NCS_0       | 2   | EBI_NWE          | 3   | NAND_NCS_1    | 4   | CLOCK_OUT    |
| 5            | USB_RREF         | 10  | GPIO1            | 11  | GPIO16        | 12  | GPIO13       |
| 13           | GPIO15           | 14  | GPIO14           | -   | -             | -   | -            |
| <b>Row K</b> |                  |     |                  |     |               |     |              |
| 1            | NAND_NCS_2       | 2   | NAND_NCS_3       | 3   | VSSE_IOA      | 4   | USB_VSSA_REF |
| 5            | mLCD_DB_12       | 6   | mLCD_DB_6        | 7   | mLCD_DB_10    | 8   | mLCD_CSB     |
| 9            | TDI              | 10  | GPIO0            | 11  | VDDE_IOC      | 12  | GPIO17       |
| 13           | GPIO20           | 14  | GPIO18           | -   | -             | -   | -            |
| <b>Row L</b> |                  |     |                  |     |               |     |              |
| 1            | USB_VDDA12_PLL   | 2   | USB_VBUS         | 3   | USB_VSSA_TERM | 4   | VDDE_IOB     |
| 5            | mLCD_DB_9        | 6   | VSSI             | 7   | VDDI          | 8   | mLCD_E_RD    |
| 9            | VSSE_IOC         | 10  | VDDE_IOC         | 11  | VSSI          | 12  | VDDI         |
| 13           | VSSE_IOC         | 14  | GPIO2            | -   | -             | -   | -            |
| <b>Row M</b> |                  |     |                  |     |               |     |              |
| 1            | USB_ID           | 2   | USB_VDDA33_DRV   | 3   | VSSE_IOB      | 4   | VSSE_IOB     |
| 5            | VDDE_IOB         | 6   | VSSE_IOB         | 7   | VDDE_IOB      | 8   | VSSE_IOB     |
| 9            | VDDE_IOB         | 10  | I2SRX_DATA0      | 11  | mI2STX_WS0    | 12  | mI2STX_BCK0  |
| 13           | mI2STX_DATA0     | 14  | TCK              | -   | -             | -   | -            |
| <b>Row N</b> |                  |     |                  |     |               |     |              |
| 1            | USB_GNDA         | 2   | USB_DM           | 3   | mLCD_DB_15    | 4   | mLCD_DB_11   |
| 5            | mLCD_DB_8        | 6   | mLCD_DB_2        | 7   | mLCD_DB_4     | 8   | mLCD_DB_0    |
| 9            | mLCD_RW_WR       | 10  | I2SRX_BCK0       | 11  | JTAGSEL       | 12  | UART_TXD     |
| 13           | mUART_CTS_N      | 14  | mI2STX_CLK0      | -   | -             | -   | -            |

Table 3. Pin allocation table ...continued

| Pin          | Symbol     | Pin | Symbol       | Pin | Symbol     | Pin | Symbol     |
|--------------|------------|-----|--------------|-----|------------|-----|------------|
| <b>Row P</b> |            |     |              |     |            |     |            |
| 1            | USB_VDDA33 | 2   | USB_DP       | 3   | mLCD_DB_14 | 4   | mLCD_DB_13 |
| 5            | mLCD_DB_7  | 6   | mLCD_DB_3    | 7   | mLCD_DB_5  | 8   | mLCD_RS    |
| 9            | mLCD_DB_1  | 10  | TMS          | 11  | I2SRX_WS0  | 12  | UART_RXD   |
| 13           | TRST_N     | 14  | mUART_RTSS_N | -   | -          | -   | -          |

Table 4. Pin description

Pin names with prefix *m* are multiplexed pins. See Table 10 for pin function selection of multiplexed pins.

| Pin name | BGA ball | Digital I/O level [1] | Application function | Pin state after reset [2] | Cell type [3] | Description |
|----------|----------|-----------------------|----------------------|---------------------------|---------------|-------------|
|----------|----------|-----------------------|----------------------|---------------------------|---------------|-------------|

**Clock Generation Unit**

|              |          |      |        |      |      |  |
|--------------|----------|------|--------|------|------|--|
| FFAST_IN     | A10      | SUP1 | AI     | -    | AIO2 | 12 MHz oscillator clock input  |
| FFAST_OUT    | B10      | SUP1 | AO     | -    | AIO2 | 12 MHz oscillator clock output   |
| VDDA12       | D11; E10 | SUP1 | Supply | -    | PS3  | 12 MHz oscillator/PLLs Analog supply   |
| VSSA12       | E9       | -    | Ground | -    | CG1  | 12 MHz oscillator/PLLs Analog ground   |
| RSTIN_N      | H14      | SUP3 | DI     | I:PU | DIO2 | System Reset Input (active LOW)  |
| CLK_256FS_O  | H12      | SUP3 | DO     | O    | DIO1 | Programmable clock output; fractionally derived from CLK1024FS_BASE clock domain. Generally used for Audio Codec master clock. |
| CLOCK_OUT    | J4       | SUP4 | DO     | O    | DIO4 | Programmable clock output; fractionally derived from SYS_BASE clock domain.  |
| SYSCLK_O [4] | G13      | SUP3 | DO     | O    | DIO1 | Programmable clock output. Output one of seven base/reference input clocks. No fractional divider.                             |

**10-bit ADC**

|               |     |      |        |   |      |                          |
|---------------|-----|------|--------|---|------|--------------------------|
| ADC10B_VDDA33 | A13 | SUP3 | Supply | - | PS3  | 10-bit ADC Analog Supply |
| ADC10B_GNDA   | A12 | -    | Ground | - | CG1  | 10-bit ADC Analog Ground |
| ADC10B_GPA0   | B14 | SUP3 | AI     | - | AIO1 | 10-bit ADC Analog Input  |
| ADC10B_GPA1   | A14 | SUP3 | AI     | - | AIO1 | 10-bit ADC Analog Input  |
| ADC10B_GPA2   | B13 | SUP3 | AI     | - | AIO1 | 10-bit ADC Analog Input  |
| ADC10B_GPA3   | C14 | SUP3 | AI     | - | AIO1 | 10-bit ADC Analog Input  |

**USB HS 2.0 OTG**

|          |    |      |     |   |      |  |
|----------|----|------|-----|---|------|--|
| USB_VBUS | L2 | SUP5 | AI  | - | AIO3 | USB supply detection line  |
| USB_ID   | M1 | SUP3 | AI  | - | AIO1 | Indicates to the USB transceiver whether in device (USB_ID HIGH) or host (USB_ID LOW) mode (contains internal pull-up resistor). |
| USB_RREF | J5 | SUP3 | AIO | - | AIO1 | USB Connection for external reference resistor (12 kΩ ± 1 %) to analog ground supply   |
| USB_DP   | P2 | SUP3 | AIO | - | AIO1 | USB D+ connection with integrated 45 Ω termination resistor  |

**Table 4. Pin description**

Pin names with prefix *m* are multiplexed pins. See [Table 10](#) for pin function selection of multiplexed pins.

| Pin name                                     | BGA ball | Digital I/O level [1] | Application function | Pin state after reset [2] | Cell type [3] | Description  |
|--|----------|-----------------------|----------------------|---------------------------|---------------|--|
| USB_DM                                       | N2       | SUP3                  | AIO                  | -                         | AIO1          | USB D– connection with integrated 45 Ω termination resistor  |
| USB_VDDA12_PLL                               | L1       | SUP1                  | Supply               | -                         | PS3           | USB PLL supply   |
| USB_VDDA33_DRV                               | M2       | SUP3                  | Supply               | -                         | PS3           | USB Analog supply for driver   |
| USB_VDDA33                                   | P1       | SUP3                  | Supply               | -                         | PS3           | USB Analog supply for PHY  |
| USB_VSSA_TERM                                | L3       |                       | Ground               | -                         | CG1           | USB Analog ground for clean reference for on chip termination resistors                                      |
| USB_GNDA                                     | N1       |                       | Ground               | -                         | CG1           | USB Analog ground  |
| USB_VSSA_REF                                 | K4       |                       | Ground               | -                         | CG1           | USB Analog ground for clean reference  |
| <b>JTAG</b>                                  |          |                       |                      |                           |               |  |
| JTAGSEL                                      | N11      | SUP3                  | DI                   | I:PD                      | DIO1          | JTAG selection. Controls output function of SCAN_TDO and ARM_TDO signals. Must be LOW during power-on reset. |
| TDI  | K9       | SUP3                  | DI                   | I:PU                      | DIO1          | JTAG Data Input  |
| TRST_N                                       | P13      | SUP3                  | DI                   | I:PD                      | DIO1          | JTAG TAP Controller Reset Input. Must be LOW during power-on reset.  |
| TCK  | M14      | SUP3                  | DI                   | I:PD                      | DIO1          | JTAG Clock Input   |
| TMS  | P10      | SUP3                  | DI                   | I:PU                      | DIO1          | JTAG Mode Select Input   |
| SCAN_TDO                                     | F10      | SUP3                  | DO                   | O/Z                       | DIO1          | JTAG TDO signal from scan TAP controller. Pin state is controlled by JTAGSEL.                                |
| ARM_TDO                                      | E11      | SUP3                  | DO                   | O                         | DIO1          | JTAG TDO signal from ARM926 TAP controller.  |
| BUF_TRST_N                                   | F11      | SUP3                  | DO                   | O                         | DIO1          | Buffered TRST_N out signal. Used for connecting an on board TAP controller (FPGA, DSP, etc.).                |
| BUF_TCK                                      | D13      | SUP3                  | DO                   | O                         | DIO1          | Buffered TCK out signal. Used for connecting an on board TAP controller (FPGA, DSP, etc.).                   |
| BUF_TMS                                      | D14      | SUP3                  | DO                   | O                         | DIO1          | Buffered TMS out signal. Used for connecting an on board TAP controller (FPGA, DSP, etc.).                   |
| <b>UART</b>                                  |          |                       |                      |                           |               |  |
| mUART_CTS_N [4][5]                           | N13      | SUP3                  | DI / GPIO            | I                         | DIO1          | UART Clear To Send (active LOW)  |
| mUART_RTS_N [4][5]                           | P14      | SUP3                  | DO / GPIO            | O                         | DIO1          | UART Ready To Send (active LOW)  |
| UART_RXD [4]                                 | P12      | SUP3                  | DI / GPIO            | I                         | DIO1          | UART Serial Input  |
| UART_TXD [4]                                 | N12      | SUP3                  | DO / GPIO            | O                         | DIO1          | UART Serial Output   |
| <b>I<sup>2</sup>C master/slave interface</b> |          |                       |                      |                           |               |  |
| I2C_SDA0                                     | C10      | SUP3                  | DIO                  | I                         | IICD          | I <sup>2</sup> C Data Line   |
| I2C_SCL0                                     | D10      | SUP3                  | DIO                  | I                         | IICC          | I <sup>2</sup> C Clock line  |
| I2C_SDA1 [4]                                 | E12      | SUP3                  | DIO                  | O                         | DIO1          | I <sup>2</sup> C Data Line   |
| I2C_SCL1 [4]                                 | E13      | SUP3                  | DIO                  | O                         | DIO1          | I <sup>2</sup> C Clock line  |

**Table 4. Pin description**

Pin names with prefix *m* are multiplexed pins. See [Table 10](#) for pin function selection of multiplexed pins.

| Pin name                           | BGA ball   | Digital I/O level [1] | Application function | Pin state after reset [2] | Cell type [3] | Description                                     |
|------------------------------------|--|-----------------------|----------------------|---------------------------|---------------|---|
| <b>Serial Peripheral Interface</b> |  |                       |                      |                           |               |   |
| SPI_CS_OUT0[4]                     | A7   | SUP3                  | DO                   | O                         | DIO4          | SPI Chip Select Output (Master)                 |
| SPI_SCK[4]                         | A8   | SUP3                  | DIO                  | I                         | DIO4          | SPI Clock Input (Slave) / Clock Output (Master) |
| SPI_MISO[4]                        | C8   | SUP3                  | DIO                  | I                         | DIO4          | SPI Data Input (Master) / Data Output (Slave)   |
| SPI_MOSI[4]                        | B7   | SUP3                  | DIO                  | I                         | DIO4          | SPI Data Output (Master) / Data Input (Slave)   |
| SPI_CS_IN[4]                       | B8   | SUP3                  | DI                   | I                         | DIO4          | SPI Chip Select Input (Slave)                   |
| <b>Digital power supply</b>        |  |                       |                      |                           |               |   |
| VDDI                               | H3;<br>L7;<br>L12;<br>C12;<br>C6;<br>A9;<br>C9   | SUP1                  | Supply               | -                         | CS2           | Digital Core Supply                             |
| VSSI                               | A11;<br>C7;<br>D12;<br>G4;<br>L6;<br>L11         |                       | Ground               | -                         | CG2           | Digital Core Ground                             |
| <b>Peripheral power supply</b>     |  |                       |                      |                           |               |   |
| VDDE_IOA                           | B2;<br>E5;<br>F5;<br>G5;<br>H5                   | SUP4                  | Supply               | -                         | PS1           | Peripheral supply for NAND flash interface      |
| VDDE_IOB                           | L4;<br>M5;<br>M7;<br>M9                          | SUP8                  | Supply               | -                         | PS1           | Peripheral supply for SDRAM/LCD                 |
| VDDE_IOC                           | C13;<br>D5;<br>D7;<br>E8;<br>G12;<br>L10;<br>K11 | SUP3                  | Supply               | -                         | PS1           | Peripheral supply                               |
| VSSE_IOA                           | C3;<br>C4;<br>E4;<br>F4;<br>H4;<br>K3            |                       | Ground               | -                         | PG1           |   |



**Table 4. Pin description**

Pin names with prefix *m* are multiplexed pins. See [Table 10](#) for pin function selection of multiplexed pins.

| Pin name | BGA ball  | Digital I/O level [1] | Application function | Pin state after reset [2] | Cell type [3] | Description |
|----------|---|-----------------------|----------------------|---------------------------|---------------|-------------|
| VSSE_IOB | M3;<br>M4;<br>M6;<br>M8                         |                       | Ground               | -                         | PG1           |             |
| VSSE_IOC | B12;<br>D6;<br>D8;<br>D9;<br>G11;<br>L9;<br>L13 |                       | Ground               | -                         | PG1           |             |

**LCD Interface**

|               |    |      |     |   |      |   |
|---------------|----|------|-----|---|------|---|
| mLCD_CSB[4]   | K8 | SUP8 | DO  | O | DIO4 | LCD Chip Select (active LOW)                                    |
| mLCD_E_RD[4]  | L8 | SUP8 | DO  | O | DIO4 | LCD, 6800 Enable, 8080 Read Enable (active HIGH)                |
| mLCD_RS[4]    | P8 | SUP8 | DO  | O | DIO4 | LCD, Instruction Register (LOW)/ Data Register (HIGH) select    |
| mLCD_RW_WR[4] | N9 | SUP8 | DO  | O | DIO4 | LCD, 6800 Read/write Select, 8080 Write Enable (active HIGH)    |
| mLCD_DB_0[4]  | N8 | SUP8 | DIO | O | DIO4 | LCD Data 0  |
| mLCD_DB_1[4]  | P9 | SUP8 | DIO | O | DIO4 | LCD Data 1  |
| mLCD_DB_2[4]  | N6 | SUP8 | DIO | O | DIO4 | LCD Data 2  |
| mLCD_DB_3[4]  | P6 | SUP8 | DIO | O | DIO4 | LCD Data 3  |
| mLCD_DB_4[4]  | N7 | SUP8 | DIO | O | DIO4 | LCD Data 4  |
| mLCD_DB_5[4]  | P7 | SUP8 | DIO | O | DIO4 | LCD Data 5  |
| mLCD_DB_6[4]  | K6 | SUP8 | DIO | O | DIO4 | LCD Data 6  |
| mLCD_DB_7[4]  | P5 | SUP8 | DIO | O | DIO4 | LCD Data 7  |
| mLCD_DB_8[4]  | N5 | SUP8 | DIO | O | DIO4 | LCD Data 8 / 8-bit Data 0                                       |
| mLCD_DB_9[4]  | L5 | SUP8 | DIO | O | DIO4 | LCD Data 9 / 8-bit Data 1                                       |
| mLCD_DB_10[4] | K7 | SUP8 | DIO | O | DIO4 | LCD Data 10 / 8-bit Data 2                                      |
| mLCD_DB_11[4] | N4 | SUP8 | DIO | O | DIO4 | LCD Data 11 / 8-bit Data 3                                      |
| mLCD_DB_12[4] | K5 | SUP8 | DIO | O | DIO4 | LCD Data 12 / 8-bit Data 4 / 4-bit Data 0                       |
| mLCD_DB_13[4] | P4 | SUP8 | DIO | O | DIO4 | LCD Data 13 / 8-bit Data 5 / 4-bit Data 1 / Serial Clock Output |
| mLCD_DB_14[4] | P3 | SUP8 | DIO | O | DIO4 | LCD Data 14 / 8-bit Data 6 / 4-bit Data 2 / Serial Data Input   |
| mLCD_DB_15[4] | N3 | SUP8 | DIO | O | DIO4 | LCD Data 15 / 8-bit Data 7 / 4-bit Data 3 / Serial Data Output  |

**Table 4. Pin description**

Pin names with prefix *m* are multiplexed pins. See [Table 10](#) for pin function selection of multiplexed pins.

| Pin name                                     | BGA ball | Digital I/O level [1] | Application function | Pin state after reset [2] | Cell type [3] | Description                                  |
|--|----------|-----------------------|----------------------|---------------------------|---------------|--|
| <b>I<sup>2</sup>S/Digital Audio Input</b>    |          |                       |                      |                           |               |  |
| I2SRX_DATA0 [4]                              | M10      | SUP3                  | DI / GPIO            | I                         | DIO1          | I <sup>2</sup> S Serial Data Receive Input   |
| I2SRX_DATA1 [4]                              | G14      | SUP3                  | DI / GPIO            | I                         | DIO1          | I <sup>2</sup> S Serial Data Receive Input   |
| I2SRX_BCK0 [4]                               | N10      | SUP3                  | DIO / GPIO           | I                         | DIO1          | I <sup>2</sup> S Bitclock                    |
| I2SRX_BCK1 [4]                               | F14      | SUP3                  | DIO / GPIO           | I                         | DIO1          | I <sup>2</sup> S Bitclock                    |
| I2SRX_WS0 [4]                                | P11      | SUP3                  | DIO / GPIO           | I                         | DIO1          | I <sup>2</sup> S Word select                 |
| I2SRX_WS1 [4]                                | F13      | SUP3                  | DIO / GPIO           | I                         | DIO1          | I <sup>2</sup> S Word select                 |
| <b>I<sup>2</sup>S/Digital Audio Output</b>   |          |                       |                      |                           |               |  |
| mI2STX_DATA0 [4]                             | M13      | SUP3                  | DO / GPIO            | O                         | DIO1          | I <sup>2</sup> S Serial Data Transmit Output |
| mI2STX_BCK0 [4]                              | M12      | SUP3                  | DO / GPIO            | O                         | DIO1          | I <sup>2</sup> S Bitclock                    |
| mI2STX_WS0 [4]                               | M11      | SUP3                  | DO / GPIO            | O                         | DIO1          | I <sup>2</sup> S Word select                 |
| mI2STX_CLK0 [4]                              | N14      | SUP3                  | DO / GPIO            | O                         | DIO1          | I <sup>2</sup> S Serial Clock                |
| I2STX_DATA1 [4]                              | F12      | SUP3                  | DO / GPIO            | O                         | DIO1          | I <sup>2</sup> S Serial Data Transmit Output |
| I2STX_BCK1 [4]                               | E14      | SUP3                  | DO / GPIO            | O                         | DIO1          | I <sup>2</sup> S Bitclock                    |
| I2STX_WS1 [4]                                | G10      | SUP3                  | DO / GPIO            | O                         | DIO1          | I <sup>2</sup> S Word select                 |
| <b>General Purpose I/O (IOCONFIG module)</b> |          |                       |                      |                           |               |  |
| GPIO0 [6]                                    | K10      | SUP3                  | GPIO                 | I:PD                      | DIO1          | General Purpose I/O Pin 0 (Mode pin 0)       |
| GPIO1 [6]                                    | J10      | SUP3                  | GPIO                 | I:PD                      | DIO1          | General Purpose I/O Pin 1 (Mode pin 1)       |
| GPIO2 [6]                                    | L14      | SUP3                  | GPIO                 | I                         | DIO1          | General Purpose I/O Pin 2 (Mode pin 2)       |
| GPIO3  | B11      | SUP3                  | GPIO                 | I                         | DIO1          | General Purpose I/O Pin 3                    |
| GPIO4  | C11      | SUP3                  | GPI                  | I                         | DIO1          | General Purpose Input Pin 4                  |
| mGPIO5 [4]                                   | B6       | SUP3                  | GPIO                 | I                         | DIO4          | General Purpose I/O Pin 5                    |
| mGPIO6 [4]                                   | A6       | SUP3                  | GPIO                 | I                         | DIO4          | General Purpose I/O Pin 6                    |
| mGPIO7 [4]                                   | A5       | SUP3                  | GPIO                 | I                         | DIO4          | General Purpose I/O Pin 7                    |
| mGPIO8 [4]                                   | B5       | SUP3                  | GPIO                 | I                         | DIO4          | General Purpose I/O Pin 8                    |
| mGPIO9 [4]                                   | C5       | SUP3                  | GPIO                 | I                         | DIO4          | General Purpose I/O Pin 9                    |
| mGPIO10 [4]                                  | A4       | SUP3                  | GPIO                 | I                         | DIO4          | General Purpose I/O Pin 10                   |
| GPIO11                                       | H13      | SUP3                  | GPIO                 | I                         | DIO1          | General Purpose I/O Pin 11                   |
| GPIO12                                       | H10      | SUP3                  | GPIO                 | I                         | DIO1          | General Purpose I/O Pin 12                   |
| GPIO13                                       | J12      | SUP3                  | GPIO                 | I                         | DIO1          | General Purpose I/O Pin 13                   |
| GPIO14                                       | J14      | SUP3                  | GPIO                 | I                         | DIO1          | General Purpose I/O Pin 14                   |
| GPIO15                                       | J13      | SUP3                  | GPIO                 | I                         | DIO1          | General Purpose I/O Pin 15                   |
| GPIO16                                       | J11      | SUP3                  | GPIO                 | I                         | DIO1          | General Purpose I/O Pin 16                   |
| GPIO17                                       | K12      | SUP3                  | GPIO                 | I                         | DIO1          | General Purpose I/O Pin 17                   |
| GPIO18                                       | K14      | SUP3                  | GPIO                 | I                         | DIO1          | General Purpose I/O Pin 18                   |
| GPIO19                                       | H11      | SUP3                  | GPIO                 | I                         | DIO1          | General Purpose I/O Pin 19                   |
| GPIO20                                       | K13      | SUP3                  | GPIO                 | I                         | DIO1          | General Purpose I/O Pin 20                   |

**Table 4. Pin description**

Pin names with prefix *m* are multiplexed pins. See [Table 10](#) for pin function selection of multiplexed pins.

| Pin name  | BGA ball | Digital I/O level [1] | Application function | Pin state after reset [2] | Cell type [3] | Description                       |
|---|----------|-----------------------|----------------------|---------------------------|---------------|-----------------------------------|
| <b>External Bus Interface (NAND flash controller)</b> |          |                       |                      |                           |               |                                   |
| EBI_A_0_ALE [4]                                       | B3       | SUP4                  | DO                   | O                         | DIO4          | EBI Address Latch Enable          |
| EBI_A_1_CLE [4]                                       | A2       | SUP4                  | DO                   | O                         | DIO4          | EBI Command Latch Enable          |
| EBI_D_0 [4]   | G2       | SUP4                  | DIO                  | I                         | DIO4          | EBI Data I/O 0                    |
| EBI_D_1 [4]   | F2       | SUP4                  | DIO                  | I                         | DIO4          | EBI Data I/O 1                    |
| EBI_D_2 [4]   | F1       | SUP4                  | DIO                  | I                         | DIO4          | EBI Data I/O 2                    |
| EBI_D_3 [4]   | E1       | SUP4                  | DIO                  | I                         | DIO4          | EBI Data I/O 3                    |
| EBI_D_4 [4]   | E2       | SUP4                  | DIO                  | I                         | DIO4          | EBI Data I/O 4                    |
| EBI_D_5 [4]   | D1       | SUP4                  | DIO                  | I                         | DIO4          | EBI Data I/O 5                    |
| EBI_D_6 [4]   | D2       | SUP4                  | DIO                  | I                         | DIO4          | EBI Data I/O 6                    |
| EBI_D_7 [4]   | C1       | SUP4                  | DIO                  | I                         | DIO4          | EBI Data I/O 7                    |
| EBI_D_8 [4]   | B1       | SUP4                  | DIO                  | I                         | DIO4          | EBI Data I/O 8                    |
| EBI_D_9 [4]   | A3       | SUP4                  | DIO                  | I                         | DIO4          | EBI Data I/O 9                    |
| EBI_D_10 [4]  | A1       | SUP4                  | DIO                  | I                         | DIO4          | EBI Data I/O 10                   |
| EBI_D_11 [4]  | C2       | SUP4                  | DIO                  | I                         | DIO4          | EBI Data I/O 11                   |
| EBI_D_12 [4]  | G3       | SUP4                  | DIO                  | I                         | DIO4          | EBI Data I/O 12                   |
| EBI_D_13 [4]  | D3       | SUP4                  | DIO                  | I                         | DIO4          | EBI Data I/O 13                   |
| EBI_D_14 [4]  | E3       | SUP4                  | DIO                  | I                         | DIO4          | EBI Data I/O 14                   |
| EBI_D_15 [4]  | F3       | SUP4                  | DIO                  | I                         | DIO4          | EBI Data I/O 15                   |
| EBI_DQM_0_NOE [4]                                     | H1       | SUP4                  | DO                   | O                         | DIO4          | NAND Read Enable (active LOW)     |
| EBI_NWE [4]   | J2       | SUP4                  | DO                   | O                         | DIO4          | NAND Write Enable (active LOW)    |
| NAND_NCS_0 [4]  | J1       | SUP4                  | DO                   | O                         | DIO4          | NAND Chip Enable 0                |
| NAND_NCS_1 [4]  | J3       | SUP4                  | DO                   | O                         | DIO4          | NAND Chip Enable 1                |
| NAND_NCS_2 [4]  | K1       | SUP4                  | DO                   | O                         | DIO4          | NAND Chip Enable 2                |
| NAND_NCS_3 [4]  | K2       | SUP4                  | DO                   | O                         | DIO4          | NAND Chip Enable 3                |
| mNAND_RYBN0 [4]                                       | E6       | SUP4                  | DI                   | I                         | DIO4          | NAND Ready/Busy 0                 |
| mNAND_RYBN1 [4]                                       | E7       | SUP4                  | DI                   | I                         | DIO4          | NAND Ready/Busy 1                 |
| mNAND_RYBN2 [4]                                       | B4       | SUP4                  | DI                   | I                         | DIO4          | NAND Ready/Busy 2                 |
| mNAND_RYBN3 [4]                                       | D4       | SUP4                  | DI                   | I                         | DIO4          | NAND Ready/Busy 3                 |
| EBI_NCAS_BLOUT_0 [4]                                  | G1       | SUP4                  | DO                   | O                         | DIO4          | EBI Lower lane byte select (7:0)  |
| EBI_NRAS_BLOUT_1 [4]                                  | H2       | SUP4                  | DO                   | O                         | DIO4          | EBI Upper lane byte select (15:8) |
| <b>Pulse Width Modulation module</b>                  |          |                       |                      |                           |               |                                   |
| PWM_DATA [4]  | B9       | SUP3                  | DO / GPIO            | O                         | DIO1          | PWM Output                        |

[1] Digital I/O levels are explained in [Table 5](#).

[2] I = input; I:PU = input with internal weak pull-up; I:PD = input with internal weak pull-down; O = output.

[3] Cell types are explained in [Table 6](#).

[4] Pin can be configured as GPIO pin in the IOCONFIG block.

- [5] The UART flow control lines (mUART\_CTS\_N and mUART\_RTS\_N) are multiplexed. This means that if these balls are not required for UART flow control, they can also be selected to be used for an alternative function: SPI chip select signals (SPI\_CS\_OUT1 and SPI\_CS\_OUT2).
- [6] To ensure that GPIO0, GPIO1 and GPIO2 pins come up as inputs, pins TRST\_N and JTAGSEL must be LOW at power-on reset, see *UM10314 JTAG chapter* for details.

**Table 5. Supply domains**

| Supply domain | Voltage range  | Related supply pins                                 | Description  |
|---------------|--|---|--|
| SUP1          | 1.0 V to 1.3 V   | VDDI, VDDA12, USB_VDDA12_PLL                        | Digital core supply  |
| SUP3          | 2.7 V to 3.6 V   | VDDE_IOC, ADC10B_VDDA33, USB_VDDA33_DRV, USB_VDDA33 | Peripheral supply  |
| SUP4          | 1.65 V to 1.95 V (in 1.8 V mode)<br>2.5 V to 3.6 V (in 3.3 V mode) | VDDE_IOA  | Peripheral supply for NAND flash interface                         |
| SUP5          | 4.5 V to 5.5 V   | USB_VBUS  | USB VBUS voltage   |
| SUP8          | 1.65 V to 1.95 V (in 1.8 V mode)<br>2.5 V to 3.6 V (in 3.3 V mode) | VDDE_IOB  | Peripheral supply for SDRAM/SRAM/bus-based LCD <a href="#">[1]</a> |

- [1] When the SDRAM is used, the supply voltage of the NAND flash, SDRAM, and the LCD Interface must be the same, i.e. SUP4 and SUP8 should be connected to the same rail. (See also [Section 6.26.3](#).)

**Table 6: I/O pads**

| Cell type | Pad type            | Function             | Description   |
|-----------|---------------------|----------------------|---|
| DIO1      | bspts3chp           | Digital Input/Output | Bidirectional 3.3 V; 3-state output; 3 ns slew rate control; plain input; CMOS with hysteresis; programmable pull-up, pull-down, repeater |
| DIO2      | bpts5pcph           | Digital Input/Output | Bidirectional 5 V; plain input; 3-state output; CMOS with programmable hysteresis; programmable pull-up, pull-down, repeater              |
| DIO4      | mem1<br>bsptz40pchp | Digital Input/Output | Bidirectional 1.8 V or 3.3 V; plain input; 3-state output; programmable hysteresis; programmable pull-up, pull-down, repeater             |
| IICC      | iic3m4scl           | Digital Input/Output | I <sup>2</sup> C-bus; clock signal  |
| IICD      | iic3mvsda           | Digital Input/Output | I <sup>2</sup> C-bus; data signal   |
| AIO1      | apio3v3             | Analog Input/Output  | Analog input/output; protection to external 3.3 V supply rail   |
| AIO2      | apio                | Analog Input/Output  | Analog input/output   |
| AIO3      | apiot5v             | Analog Input/Output  | Analog input/output; 5 V tolerant pad-based ESD protection  |
| CS1       | vddco               | Core Supply          | -   |
| CS2       | vddi                | Core Supply          | -   |
| PS1       | vdde3v3             | Peripheral Supply    | -   |
| PS2       | vdde                | Peripheral Supply    | -   |
| CG1       | vssco               | Core Ground          | -   |
| CG2       | vssis               | Core Ground          | -   |
| PG1       | vsse                | Peripheral Ground    | -   |

## 6. Functional description

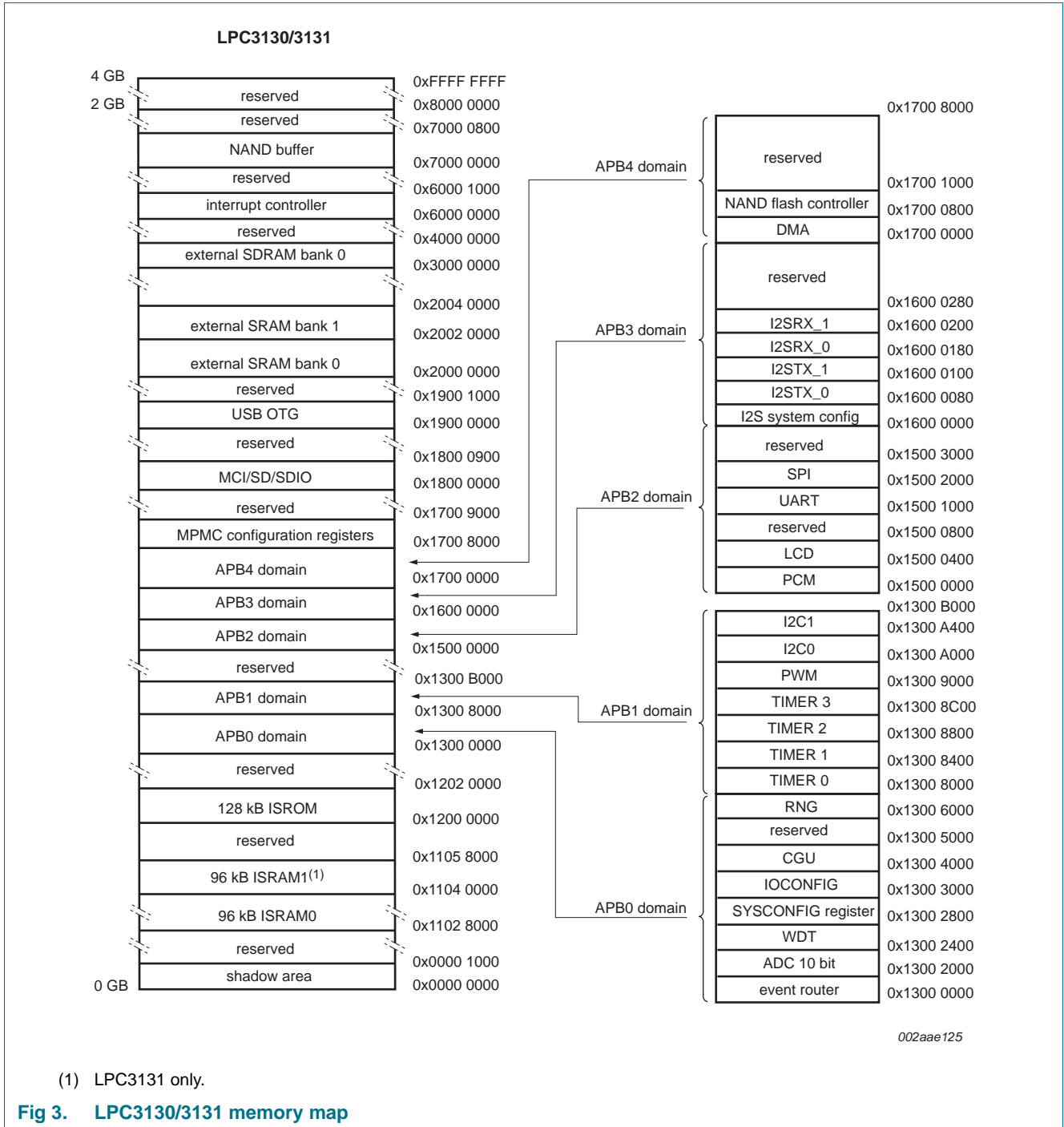
### 6.1 ARM926EJ-S

The processor embedded in the LPC3130/3131 is the ARM926EJ-S. It is a member of the ARM9 family of general-purpose microprocessors. The ARM926EJ-S is intended for multi-tasking applications where full memory management, high performance, and low power are important.

This module has the following features:

- ARM926EJ-S processor core which uses a five-stage pipeline consisting of fetch, decode, execute, memory, and write stages. The processor supports both the 32-bit ARM and 16-bit Thumb instruction sets, which allows a trade off between high performance and high code density. The ARM926EJ-S also executes an extended ARMv5TE instruction set which includes support for Java byte code execution.
- Contains an AMBA BIU for both data accesses and instruction fetches.
- Memory Management Unit (MMU).
- 16 kB instruction and 16 kB data separate cache memories with an 8 word line length. The caches are organized using Harvard architecture.
- Little Endian is supported.
- The ARM926EJ-S processor supports the ARM debug architecture and includes logic to assist in both hardware and software debugging.
- Supports dynamic clock gating for power reduction.
- The processor core clock can be set equal to the AHB bus clock or to an integer number times the AHB bus clock. The processor can be switched dynamically between these settings.
- ARM stall support.

6.2 Memory map



### 6.3 JTAG

The Joint Test Action Group (JTAG) interface allows the incorporation of the LPC3130/3131 in a JTAG scan chain.

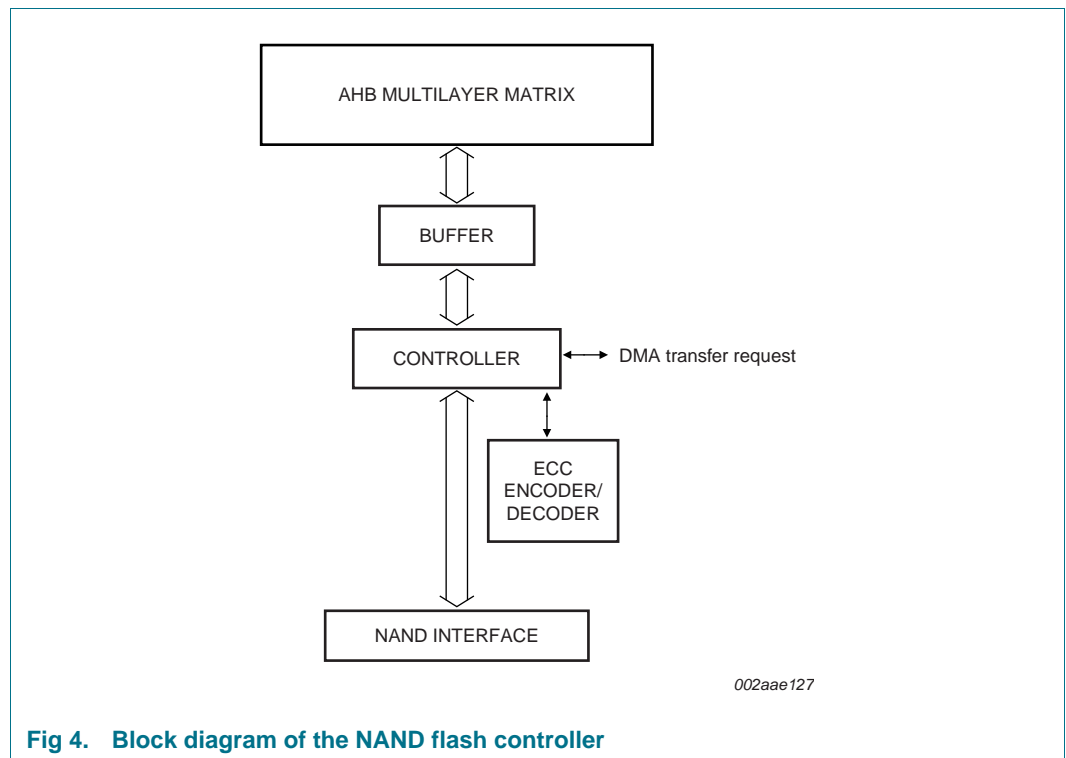
This module has the following features:

- ARM926 debug access
- Boundary scan

### 6.4 NAND flash controller

The NAND flash controller is used as a dedicated interface to NAND flash devices. [Figure 4](#) shows a block diagram of the NAND flash controller module. The heart of the module is formed by a controller block that controls the flow of data from/to the AHB bus through the NAND flash controller block to/from the (external) NAND flash. An error correction encoder/decoder (ECC enc/dec) module allows for hardware error correction for support of Multi-Level Cell (MLC) NAND flash devices.

Before data is written from the buffer to the NAND flash, optionally it is first protected by an error correction code generated by the ECC module. After data is read from the NAND flash, the error correction module corrects any errors.



**Fig 4. Block diagram of the NAND flash controller**

This module has the following features:

- Dedicated NAND flash interface with hardware controlled read and write accesses.
- Wear leveling support with 516 byte mode.
- Software controlled command and address transfers to support wide range of flash devices.

- Software control mode where the ARM is directly master of the flash device.
- Support for 8 bit and 16 bit flash devices.
- Support for any page size from 0.5 kB upwards.
- Programmable NAND flash timing parameters.
- Support for up to 4 NAND devices.
- Error Correction Module (ECC) for MLC NAND flash support:
  - Reed-Solomon error correction encoding and decoding.
  - Uses Reed-Solomon code words with 9-bit symbols over  $GF(2^9)$ , a total codeword length of 469 symbols, including 10 parity symbols, giving a minimum Hamming distance of 11.
  - Up to 8 symbol errors can be corrected per codeword.
  - Error correction can be turned on and off to match the demands of the application.
  - Parity generator for error correction encoding.
  - Wear leveling information can be integrated into protected data.
  - Interrupts generated after completion of error correction task with 3 interrupt registers.
  - Error correction statistics distributed to ARM using interrupt scheme.
  - Interface is compatible with the ARM External Bus Interface (EBI).

## 6.5 Multi-Port Memory Controller (MPMC)

The multi-port memory controller supports the interface to different memory types, for example:

- SDRAM
- Low-power SDRAM
- Static memory interface

This module has the following features:

- Dynamic memory interface support including SDRAM, JEDEC low-power SDRAM.
- Address line supporting up to 128 MB of dynamic memory.
- The MPMC has two AHB interfaces:
  - a. an interface for accessing external memory.
  - b. a separate control interface to program the MPMC. This enables the MPMC registers to be situated in memory with other system peripheral registers.
- Low transaction latency.
- Read and write buffers to reduce latency and to improve performance, particularly for un-cached processors.
- Static memory features include:
  - asynchronous page mode read
  - programmable wait states
  - bus turnaround delay
  - output enable and write enable delays



- extended wait
- One chip select for synchronous memory and two chip selects for static memory devices.
- Power-saving modes.
- Dynamic memory self-refresh mode supported.
- Controller support for 2 k, 4 k, and 8 k row address synchronous memory parts.
- Support for all AHB burst types.
- Little and big-endian support.
- Support for the External Bus Interface (EBI) that enables the memory controller pads to be shared.

## 6.6 External Bus Interface (EBI)

The EBI module acts as multiplexer with arbitration between the NAND flash and the SDRAM/SRAM memory modules connected externally through the MPMC.

The main purpose for using the EBI module is to save external pins. However only data and address pins are multiplexed. Control signals towards and from the external memory devices are not multiplexed.

**Table 7. Memory map of the external SRAM/SDRAM memory modules**

| Module          | Maximum address space |             | Data width | Device size |
|-----------------|-----------------------|-------------|------------|-------------|
| External SRAM0  | 0x2000 0000           | 0x2000 FFFF | 8 bit      | 64 kB       |
|                 | 0x2000 0000           | 0x2001 FFFF | 16 bit     | 128 kB      |
| External SRAM1  | 0x2002 0000           | 0x2002 FFFF | 8 bit      | 64 kB       |
|                 | 0x2002 0000           | 0x2003 FFFF | 16 bit     | 128 kB      |
| External SDRAM0 | 0x3000 0000           | 0x37FF FFFF | 16 bit     | 128 MB      |

## 6.7 Internal ROM Memory

The internal ROM memory is used to store the boot code of the LPC3130/3131. After a reset, the ARM processor will start its code execution from this memory.

The LPC3130/3131 ROM memory has the following features:

- Supports booting from SPI flash, NAND flash, SD/SDHC/MMC cards, UART, and USB (DFU class) interfaces.
- Supports option to perform CRC32 checking on the boot image.
- Supports booting from managed NAND devices such as moviNAND, iNAND, eMMC-NAND and eSD-NAND using SD/MMC boot mode.
- Contains pre-defined MMU table (16 kB) for simple systems.

The boot ROM determines the boot mode based on reset state of GPIO0, GPIO1, and GPIO2 pins. To ensure that GPIO0, GPIO1 and GPIO2 pins come up as inputs, pins TRST\_N and JTAGSEL must be LOW during power-on reset (see *UM10314 JTAG chapter* for details). [Table 8](#) shows the various boot modes supported on the LPC3130/3131:

Table 8. LPC3130/3131 boot modes

| Boot mode  | GPIO0 | GPIO1 | GPIO2 | Description  |
|------------|-------|-------|-------|--|
| NAND       | 0     | 0     | 0     | Boots from NAND flash. If proper image is not found, boot ROM will switch to DFU boot mode.  |
| SPI        | 0     | 0     | 1     | Boot from SPI NOR flash connected to SPI_CS_OUT0. If proper image is not found, boot ROM will switch to DFU boot mode.   |
| DFU        | 0     | 1     | 0     | Device boots via USB using DFU class specification.  |
| SD/MMC     | 0     | 1     | 1     | Boot ROM searches all the partitions on the SD/MMC/SDHC/MMC+/eMMC/eSD card for boot image. If partition table is missing, it will start searching from sector 0. A valid image is said to be found if a valid image header is found, followed by a valid image. If a proper image is not found, boot ROM will switch to DFU boot mode. |
| Reserved 0 | 1     | 0     | 0     | Reserved for testing.  |
| NOR flash  | 1     | 0     | 1     | Boot from parallel NOR flash connected to EBI_NSTCS_1.   |
| UART       | 1     | 1     | 0     | Boot ROM tries to download boot image from UART ((115200 – 8 – n -1) assuming 12 MHz FFAST clock).   |
| Test       | 1     | 1     | 1     | Boot ROM is testing ISRAM using memory pattern test. After test switches to UART boot mode.  |

## 6.8 Internal RAM memory

The ISRAM (Internal Static RAM Memory) controller module is used as controller between the AHB bus and the internal RAM memory. The internal RAM memory can be used as working memory for the ARM processor and as temporary storage to execute the code that is loaded by boot ROM from external devices such as SPI-flash, NAND flash, and SD/MMC cards.

This module has the following features:

- Capacity of 96 kB (LPC3130) or 192 kB (LPC3131)
- On LPC3131 implemented as two independent 96 kB memory banks

## 6.9 Memory Card Interface (MCI)

The MCI controller interface can be used to access memory cards according to the Secure Digital (SD) and Multi-Media Card (MMC) standards. The host controller can be used to interface to small form factor expansion cards compliant to the SDIO card standard as well. Finally, the MCI supports CE-ATA 1.1 compliant hard disk drives.

This module has the following features:

- One 8-bit wide interface.
- Supports high-speed SD, versions 1.01, 1.10 and 2.0.
- Supports SDIO version 1.10.
- Supports MMCplus, MMCmobile and MMCmicro cards based on MMC 4.1.
- Supports SDHC memory cards.
- CRC generation and checking.

- Supports 1/4-bit SD cards.
- Card detection and write protection.
- FIFO buffers of 16 bytes deep.
- Host pull-up control.
- SDIO suspend and resume.
- 1 to 65 535 bytes blocks.
- Suspend and resume operations.
- SDIO Read-wait.
- Maximum clock speed of 52 MHz (MMC 4.1).
- Supports CE-ATA 1.1.
- Supports 1-bit, 4-bit, and 8-bit MMC cards and CE-ATA devices.

## 6.10 High-speed Universal Serial Bus 2.0 On-The-Go (OTG)

The USB OTG module allows the LPC3130/3131 to connect directly to a USB host such as a PC (in device mode) or to a USB device in host mode. In addition, the LPC3130/3131 has a special, built-in mode in which it enumerates as a Device Firmware Upgrade (DFU) class, which allows for a (factory) download of the device firmware through USB.

This module has the following features:

- Complies with *Universal Serial Bus specification 2.0*.
- Complies with *USB On-The-Go supplement*.
- Complies with *Enhanced Host Controller Interface Specification*.
- Supports auto USB 2.0 mode discovery.
- Supports all high-speed USB-compliant peripherals.
- Supports all full-speed USB-compliant peripherals.
- Supports software Host Negotiation Protocol (HNP) and Session Request Protocol (SRP) for OTG peripherals.
- Contains UTMI+ compliant transceiver (PHY).
- Supports interrupts.
- This module has its own, integrated DMA engine.

USB-IF TestID for Hi-speed peripheral silicon: 40700062

USB-IF TestID for Hi-speed embedded host silicon: 120000182

## 6.11 DMA controller

The DMA Controller can perform DMA transfers on the AHB bus without using the CPU.

This module has the following features:

- Supported transfer types:  
Memory to memory:

- Memory can be copied from the source address to the destination address with a specified length, while incrementing the address for both the source and destination.

Memory to peripheral:

- Data is transferred from incrementing memory to a fixed address of a peripheral. The flow is controlled by the peripheral.

Peripheral to memory:

- Data is transferred from a fixed address of a peripheral to incrementing memory. The flow is controlled by the peripheral.

- Supports single data transfers for all transfer types.
- Supports burst transfers for memory to memory transfers. A burst always consists of multiples of 4 (32 bit) words.
- The DMA controller has 12 channels.
- Scatter-gather is used to gather data located at different areas of memory. Two channels are needed per scatter-gather action.
- Supports byte, half word and word transfers, and correctly aligns it over the AHB bus.
- Compatible with ARM flow control for single requests (sreq), last single requests (lsreq), terminal count info (tc), and dma clearing (clr).
- Supports swapping in endianness of the transported data.

**Table 9: Peripherals that support DMA access**

| Peripheral name         | Supported Transfer Types                      |
|-------------------------|---|
| NAND flash controller   | Memory to memory                              |
| SPI                     | Memory to peripheral and peripheral to memory |
| MCI                     | Memory to peripheral and peripheral to memory |
| LCD interface           | Memory to peripheral                          |
| UART                    | Memory to peripheral and peripheral to memory |
| I2C0/1-bus master/slave | Memory to peripheral and peripheral to memory |
| I2S0/1 receive          | Peripheral to memory                          |
| I2S0/1 transmit         | Memory to peripheral                          |
| PCM interface           | Memory to peripheral and peripheral to memory |

## 6.12 Interrupt controller (INTC)

The interrupt controller collects interrupt requests from multiple devices, masks interrupt requests, and forwards the combined requests to the processor. The interrupt controller also provides facilities to identify the interrupt requesting devices to be served.

This module has the following features:

- The interrupt controller decodes all the interrupt requests issued by the on-chip peripherals.
- Two interrupt lines (Fast Interrupt Request (FIQ), Interrupt Request (IRQ)) to the ARM core. The ARM core supports two distinct levels of priority on all interrupt sources, FIQ for high priority interrupts and IRQ for normal priority interrupts.
- Software interrupt request capability associated with each request input.

- Visibility of the interrupt's request state before masking.
- Support for nesting of interrupt service routines.
- Interrupts routed to IRQ and to FIQ are vectored.
- Level interrupt support.

The following blocks can generate interrupts:

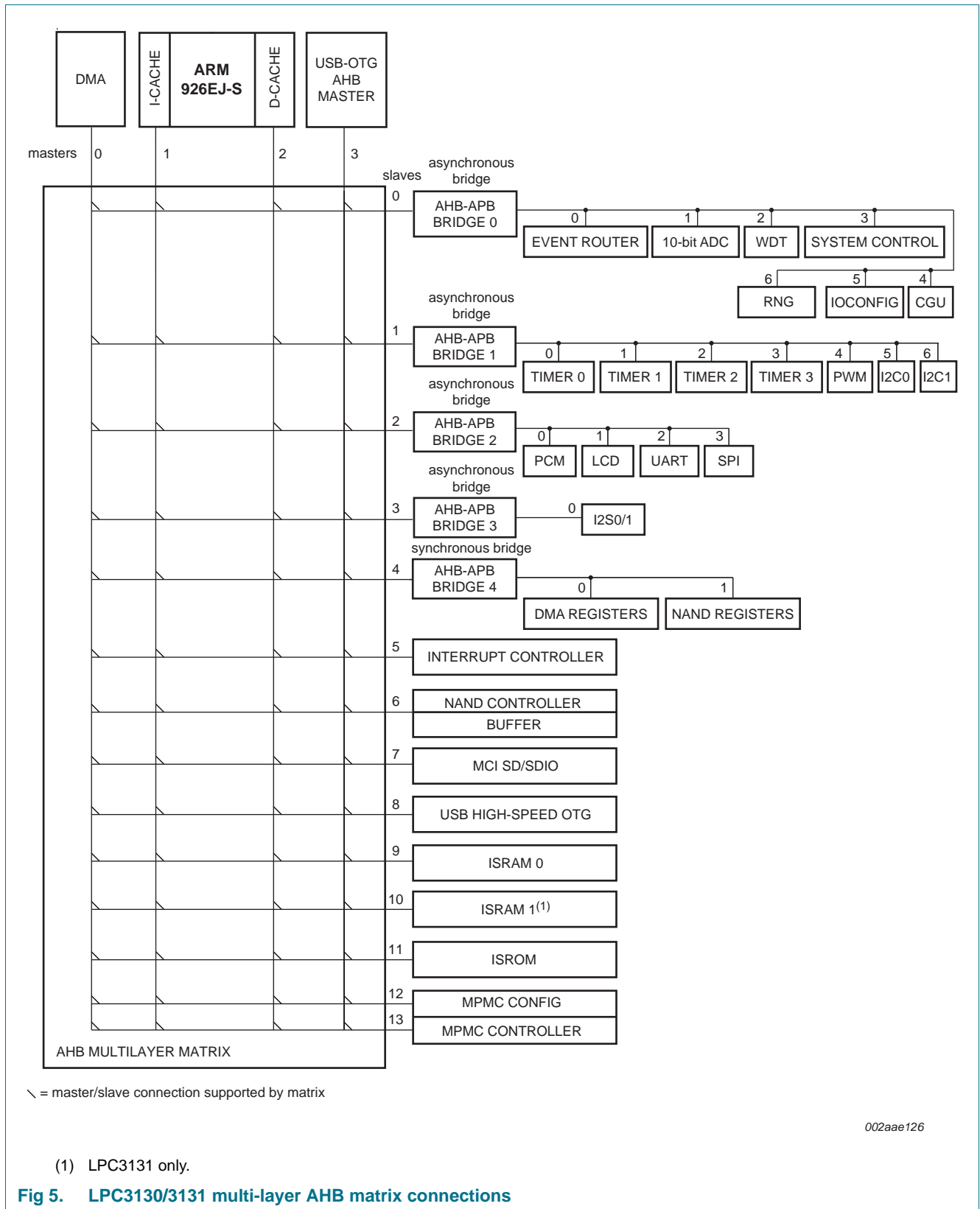
- NAND flash controller
- USB 2.0 high-speed OTG
- Event router
- 10-bit ADC
- UART
- LCD
- MCI
- SPI
- I2C0 and I2C1 controllers
- Timer0, Timer1, Timer2, and Timer3
- I<sup>2</sup>S transmit: I2STX\_0 and I2STX\_1
- I<sup>2</sup>S receive: I2SRX\_0 and I2SRX\_1
- DMA

### 6.13 Multi-layer AHB

The multi-layer AHB is an interconnection scheme based on the AHB protocol that enables parallel access paths between multiple masters and slaves in a system.

Multiple masters can have access to different slaves at the same time.

[Figure 5](#) gives an overview of the multi-layer AHB configuration in the LPC3130/3131. AHB masters and slaves are numbered according to their AHB port number.



This module has the following features:

- Supports all combinations of 32-bit masters and slaves (fully connected interconnect matrix).
- Round-robin priority mechanism for bus arbitration: all masters have the same priority and get bus access in their natural order
- Four devices on a master port (listed in their natural order for bus arbitration):
  - DMA
  - ARM926 instruction port
  - ARM926 data port
  - USB OTG
- Devices on a slave port (some ports are shared between multiple devices):
  - AHB to APB Bridge 0
  - AHB to APB Bridge 1
  - AHB to APB Bridge 2
  - AHB to APB Bridge 3
  - AHB to APB Bridge 4
  - Interrupt Controller
  - NAND flash controller
  - MCI SD/SDIO
  - USB 2.0 high-speed OTG
  - 96 kB ISRAM
  - 96 kB ISRAM (LPC3131 only)
  - 128 kB ROM
  - MPMC

## 6.14 APB bridge

The APB bridge is a bus bridge between the AMBA Advanced High-performance Bus (AHB) and the ARM Peripheral Bus (APB) interface.

The module supports two different architectures:

- Single-clock architecture, synchronous bridge. The same clock is used at the AHB side and at the APB side of the bridge. The AHB-to-APB4 bridge uses this architecture.
- Dual-clock architecture, asynchronous bridge. Different clocks are used at the AHB side and at the APB side of the bridge. The AHB-to-APB0, AHB-to-APB1, AHB-to-APB2, and AHB-to-APB3 bridges use this architecture.

## 6.15 Clock Generation Unit (CGU)

The clock generation unit generates all clock signals in the system and controls the reset signals for all modules. The structure of the CGU is shown in [Figure 6](#). Each output clock generated by the CGU belongs to one of the domains. Each clock domain is fed by a single base clock that originates from one of the available clock sources. Within a clock domain, fractional dividers are available to divide the base clock to a lower frequency.

Within most clock domains, the output clocks are again grouped into one or more subdomains. All output clocks within one subdomain are either all generated by the same fractional divider or they are connected directly to the base clock. Therefore all output clocks within one subdomain have the same frequency and all output clocks within one clock domain are synchronous because they originate from the same base clock.

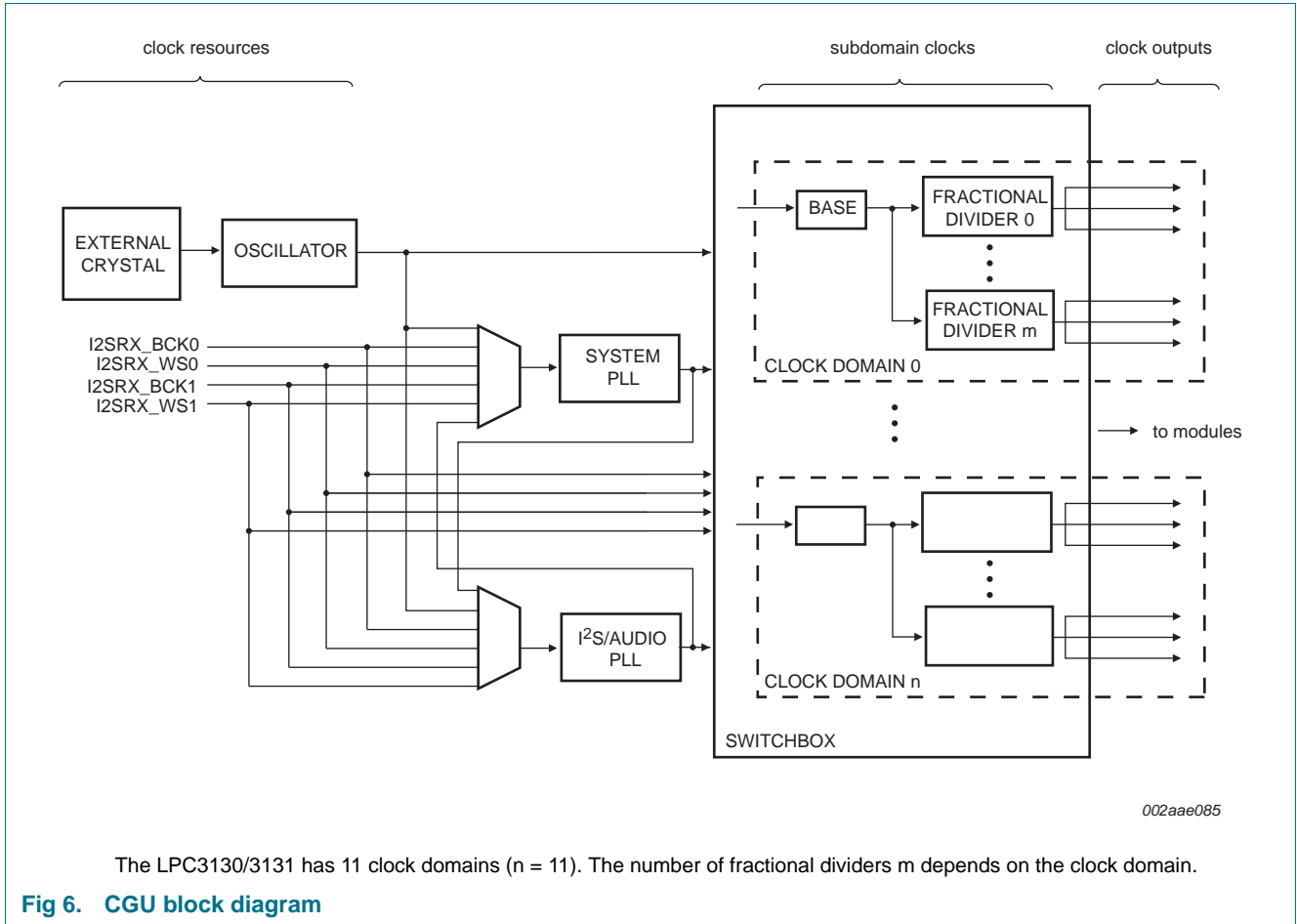
The CGU reference clock is generated by the external crystal. In addition, the CGU has several Phase Locked Loop (PLL) circuits to generate clock signals that can be used for system clocks and/or audio clocks. All clock sources, except the output of the PLLs, can be used as reference input for the PLLs.

This module has the following features:

- Advanced features to optimize the system for low power:
  - All output clocks can be disabled individually for flexible power optimization.
  - Some modules have automatic clock gating. They are only active when bus access to the module is required.
  - Variable clock scaling for automatic power optimization of the AHB bus (high clock frequency when the bus is active, low clock frequency when the bus is idle).
  - Clock wake-up feature: module clocks can be programmed to be activated automatically on the basis of an event detected by the event router (see also [Section 6.19](#)). For example, all clocks (including the ARM /bus clocks) are off and activated automatically when a button is pressed.
- Supports five clock sources:
  - Reference clock generated by the oscillator with an external crystal.
  - Pins I2SRX\_BCK0, I2SRX\_WS0, I2SRX\_BCK1 and I2SRX\_WS1 are used to input external clock signals (used for generating audio frequencies in I2SRX slave mode, see also [Section 6.4](#)).
- Supports two PLLs:
  - System PLL generates programmable system clock frequency from its reference input.
  - I<sup>2</sup>S PLL generates programmable audio clock frequency (typically  $256 \times f_s$ ) from its reference input.  
**Remark:** Both the System PLL and the I<sup>2</sup>S PLL generate their frequencies based on their (individual) reference clocks. The reference clocks can be programmed to the oscillator clock or one of the external clock signals.
- Highly flexible switchbox to distribute the signals from the clock sources to the module clocks:
  - Each clock generated by the CGU is derived from one of the base clocks and optionally divided by a fractional divider.
  - Each base clock can be programmed to have any one of the clock sources as an input clock.
  - Fractional dividers can be used to divide a base clock by a fractional number to a lower clock frequency.
  - Fractional dividers support clock stretching to obtain a (near) 50 % duty cycle output clock.
- Register interface to reset all modules under software control.



- Based on the input of the Watchdog timer (see also [Section 6.16](#)), the CGU can generate a system-wide reset in the case of a system stall.



### 6.16 Watchdog Timer (WDT)

The watchdog timer can be used to generate a system reset if there is a CPU/software crash. In addition, the watchdog timer can be used as an ordinary timer. [Figure 7](#) shows how the watchdog timer module is connected in the system.

This module has the following features:

- In the event of a software or hardware failure, generates a chip-wide reset request when its programmed time-out period has expired (output m1).
- Watchdog counter can be reset by a periodical software trigger.
- After a reset, a register will indicate whether a reset has occurred because of a watchdog generated reset.
- Watchdog timer can also be used as a normal timer (output m0).

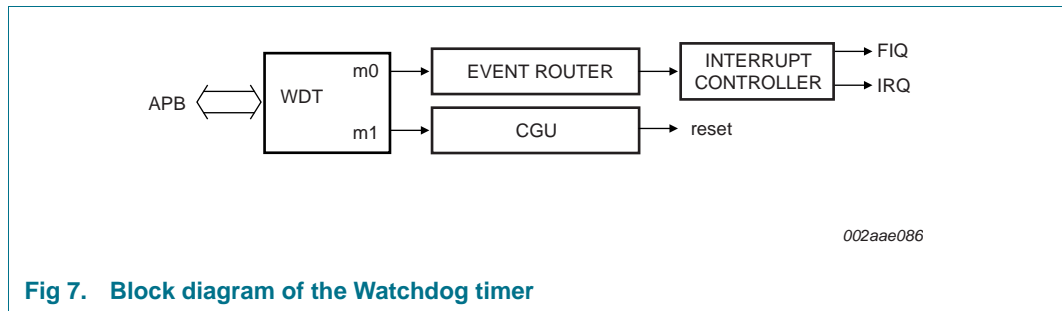


Fig 7. Block diagram of the Watchdog timer

### 6.17 Input/Output configuration module (IOCONFIG)

The General Purpose Input/Output (GPIO) pins can be controlled through the register interface provided in the IOCONFIG module. Next to several dedicated GPIO pins, most digital I/O pins can also be used as GPIO if they are not required for their normal, dedicated function.

This module has the following features:

- Provides control for the digital pins that can double as GPIO (next to their normal function). The pinning list in [Table 4](#) indicates which pins can double as GPIO.
- Each pin controlled by the IOCONFIG can be configured for four operational modes:
  - Normal operation (i.e. controlled by a function block).
  - Driven LOW.
  - Driven HIGH.
  - High impedance/input.
- The GPIO pins can be observed (read) in any mode.
- The register interface provides set and clear access methods for choosing the operational mode.

### 6.18 10-bit Analog-to-Digital Converter (ADC10B)

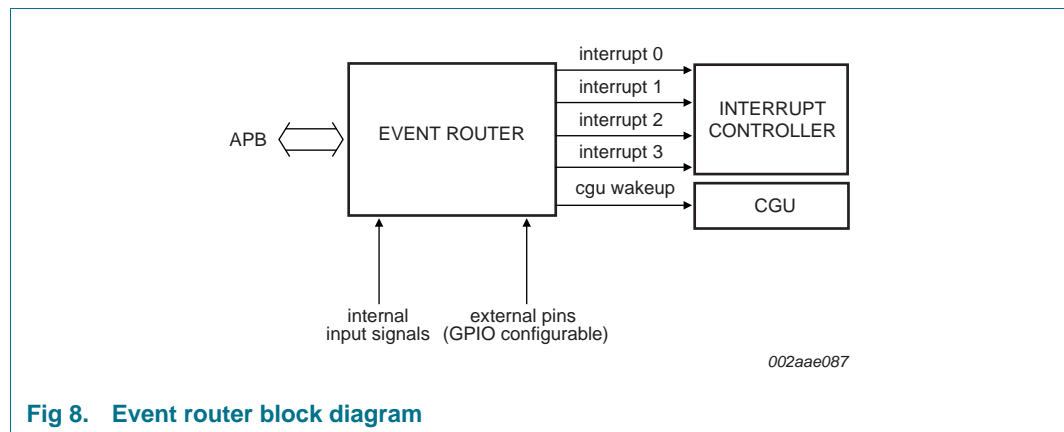
This module is a 10-bit successive approximation Analog-to-Digital Converter (ADC) with an input multiplexer to allow for multiple analog signals on its input. A common use of this module is to read out multiple keys on one input from a resistor network.

This module has the following features:

- Four analog input channels, selected by an analog multiplexer.
- Programmable ADC resolution from 2 bit to 10 bit.
- The maximum conversion rate is 400 ksample/s for 10 bit resolution and 1500 ksample/s for 2 bit resolution.
- Single A/D conversion scan mode and continuous A/D conversion scan mode.
- Power-down mode.

## 6.19 Event router

The event router extends the interrupt capability of the system by offering a flexible and versatile way of generating interrupts. Combined with the wake-up functionality of the CGU, it also offers a way to wake up the system from suspend mode (with all clocks deactivated).



**Fig 8. Event router block diagram**

The event router has four interrupt outputs connected to the interrupt controller and one wake-up output connected to the CGU as shown in [Figure 8](#). The output signals are activated when an event (for instance a rising edge) is detected on one of the input signals. The input signals of the event router are connected to relevant internal control signals in the system or to external signals through pins of the LPC3130/3131.

This module has the following features:

- Provides programmable routing of input events to multiple outputs for use as interrupts or wake up signals.
- Input events can come from internal signals or from the pins that can be used as GPIO.
- Inputs can be used either directly or latched (edge detected) as an event source.
- The active level (polarity) of the input signal for triggering events is programmable.
- Direct events will disappear when the input becomes inactive.
- Latched events will remain active until they are explicitly cleared.
- Each input can be masked globally for all inputs at once.
- Each input can be masked for each output individually.
- Event detect status can be read for each output separately.
- Event detection is fully asynchronous (no active clock required).
- Module can be used to generate a system wake-up from suspend mode.

**Remark:** All pins that can be used as GPIO are connected to the event router (see [Figure 8](#)). Note that they can be used to trigger events when in normal functional mode or in GPIO mode.

## 6.20 Random number generator

The Random Number Generator (RNG) generates true random numbers for use in advanced security and Digital Rights Management (DRM) related schemes. These schemes rely upon truly random, i.e. completely unpredictable numbers.

This module has the following features:

- True random number generator.
- The random number register does not rely on any kind of reset.
- The generators are free running in order to ensure randomness and security.

## 6.21 Serial Peripheral Interface (SPI)

The SPI module is used for synchronous serial data communication with other devices which support the SPI/SSI protocol. Examples are memories, cameras, or WiFi-g. The SPI/SSI-bus is a 5-wire interface, and it is suitable for low, medium, and high data rate transfers.

This module has the following features:

- Supports Motorola SPI frame format with a word size of 8/16 bits.
- Texas Instruments SSI (Synchronous Serial Interface) frame format with a word size of 4 bit to 16 bit.
- Receive FIFO and transmit FIFO of 64 half-words each.
- Serial clock rate master mode maximum 45 MHz.
- Serial clock rate slave mode maximum 25 MHz.
- Support for single data access DMA.
- Full-duplex operation.
- Supports up to three slaves.
- Supports maskable interrupts.
- Supports DMA transfers.

## 6.22 Universal Asynchronous Receiver Transmitter (UART)

The UART module supports the industry standard serial interface.

This module has the following features:

- Programmable baud rate with a maximum of 1049 kBd.
- Programmable data length (5 bit to 8 bit).
- Implements only asynchronous UART.
- Transmit break character length indication.
- Programmable one to two stops bits in transmission.
- Odd/Even/Force parity check/generation.
- Frame error, overrun error and break detection.
- Automatic hardware flow control.
- Independent control of transmit, receive, line status, data set interrupts, and FIFOs.

- SIR-IrDA encoder/decoder (from 2400 to 115 kBd).
- Supports maskable interrupts.
- Supports DMA transfers.

### 6.23 Pulse Code Modulation (PCM) interface

The PCM interface supports the PCM and IOM interfaces.

The IOM (ISDN Oriented Modular) interface is primarily used to interconnect telecommunications ICs providing ISDN compatibility. It delivers a symmetrical full-duplex communication link containing user data, control/programming lines, and status channels.

PCM (Pulse Code Modulation) is a very common method used for transmitting analog data in digital format. Most common applications of PCM are digital audio as in Audio CD and computers, digital telephony and videos.

This module has the following features:

- Four-wire serial interface.
- Can function in both Master and Slave modes.
- Supports:
  - PCM: Single clocking physical format.
  - Multi-Protocol (MP) PCM: Configurable directional per slot.
  - IOM-2: Extended ISDN-Oriented modular. Double clocking physical format.
- Twelve eight bit slots in a frame with enabling control per slot.
- Internal frame clock generation in master mode.
- Receive and transmit DMA handshaking using a request/clear protocol.
- Interrupt generation per frame.

### 6.24 LCD interface

The dedicated LCD interface contains logic to interface to a 6800 (Motorola) or 8080 (Intel) compatible LCD controllers which support 4/8/16 bit modes. This module also supports a serial interface mode. The speed of the interface can be adjusted in software to match the speed of the connected LCD display.

This module has the following features:

- 4/8/16 bit parallel interface mode: 6800-series, 8080-series.
- Serial interface mode.
- Supports multiple frequencies for the 6800/8080 bus to support high- and low-speed controllers.
- Supports polling the busy flag from LCD controller to off-load the CPU from polling.
- Contains an 16 byte FIFO for sending control and data information to the LCD controller.
- Supports maskable interrupts.
- Supports DMA transfers.

## 6.25 I<sup>2</sup>C-bus master/slave interface

The LPC3130/3131 contains two I<sup>2</sup>C master/slave interfaces.

This module has the following features:

- **I<sup>2</sup>C-bus interface 0 (I2C0):** I2C0 is a standard I<sup>2</sup>C-compliant bus interface with open-drain pins. This interface supports functions described in the I<sup>2</sup>C-bus specification for speeds up to 400 kHz. This includes multi-master operation and allows powering off this device in a working system while leaving the I<sup>2</sup>C-bus functional.
- **I<sup>2</sup>C-bus interface 1 (I2C1):** I2C1 uses standard I/O pins and is intended for use with a single-master I<sup>2</sup>C-bus and does not support powering off of this device. Standard I/Os also do not support multi-master I<sup>2</sup>C implementations.
- Supports normal mode (100 kHz SCL).
- Fast mode (400 kHz SCL with 24 MHz APB clock; 325 kHz with 12 MHz APB clock; 175 kHz with 6 MHz APB clock).
- Interrupt support.
- Supports DMA transfers (single).
- Four modes of operation:
  - Master transmitter
  - Master receiver
  - Slave transmitter
  - Slave receiver

## 6.26 LCD/NAND flash/SDRAM multiplexing

The LPC3130/3131 contains a rich set of specialized hardware interfaces but the TFBGA package does not contain enough pins to allow use of all signals of all interfaces simultaneously. Therefore a pin-multiplexing scheme is created, which allows the selection of the right interface for the application.

Pin multiplexing is enabled between the following interfaces:

- between the dedicated LCD interface and the external bus interface.
- between the NAND flash controller and the memory card interface.
- between UART and SPI.
- between I2STX\_0 output and the PCM interface.

The pin interface multiplexing is subdivided into five categories: storage, video, audio, NAND flash, and UART related pin multiplexing. Each category supports several modes, which can be selected by programming the corresponding registers in the SysCReg.

## 6.26.1 Pin connections

Table 10. Pin descriptions of multiplexed pins

| Pin Name                              | Default Signal | Alternate Signal | Description  |
|---------------------------------------|----------------|------------------|--|
| <b>Video related pin multiplexing</b> |                |                  |  |
| mLCD_CSB                              | LCD_CSB        | EBI_NSTCS_0      | <b>LCD_CSB</b> — LCD chip select for external LCD controller.<br><b>EBI_NSTCS_0</b> — EBI static memory chip select 0. |
| mLCD_DB_1                             | LCD_DB_1       | EBI_NSTCS_1      | <b>LCD_DB_1</b> — LCD bidirectional data line 1.<br><b>EBI_NSTCS_1</b> — EBI static memory chip select 1.              |
| mLCD_DB_0                             | LCD_DB_0       | EBI_CLKOUT       | <b>LCD_DB_0</b> — LCD bidirectional data line 0.<br><b>EBI_CLKOUT</b> — EBI SDRAM clock signal.                        |
| mLCD_E_RD                             | LCD_E_RD       | EBI_CKE          | <b>LCD_E_RD</b> — LCD enable/read signal.<br><b>EBI_CKE</b> — EBI SDRAM clock enable.                                  |
| mLCD_RS                               | LCD_RS         | EBI_NDYCS        | <b>LCD_RS</b> — LCD register select signal.<br><b>EBI_NDYCS</b> — EBI SDRAM chip select.                               |
| mLCD_RW_WR                            | LCD_RW_WR      | EBI_DQM_1        | <b>LCD_RW_WR</b> — LCD read write/write signal.<br><b>EBI_DQM_1</b> — EBI SDRAM data mask output 1.                    |
| mLCD_DB_2                             | LCD_DB_2       | EBI_A_2          | <b>LCD_DB_2</b> — LCD bidirectional data line 2.<br><b>EBI_A_2</b> — EBI address line 2.                               |
| mLCD_DB_3                             | LCD_DB_3       | EBI_A_3          | <b>LCD_DB_3</b> — LCD bidirectional data line 3.<br><b>EBI_A_3</b> — EBI address line 3.                               |
| mLCD_DB_4                             | LCD_DB_4       | EBI_A_4          | <b>LCD_DB_4</b> — LCD bidirectional data line 4.<br><b>EBI_A_4</b> — EBI address line 4.                               |
| mLCD_DB_5                             | LCD_DB_5       | EBI_A_5          | <b>LCD_DB_5</b> — LCD bidirectional data line 5.<br><b>EBI_A_5</b> — EBI address line 5.                               |
| mLCD_DB_6                             | LCD_DB_6       | EBI_A_6          | <b>LCD_DB_6</b> — LCD bidirectional data line 6.<br><b>EBI_A_6</b> — EBI address line 6.                               |
| mLCD_DB_7                             | LCD_DB_7       | EBI_A_7          | <b>LCD_DB_7</b> — LCD bidirectional data line 7.<br><b>EBI_A_7</b> — EBI address line 7.                               |
| mLCD_DB_8                             | LCD_DB_8       | EBI_A_8          | <b>LCD_DB_8</b> — LCD bidirectional data line 8.<br><b>EBI_A_8</b> — EBI address line 8.                               |
| mLCD_DB_9                             | LCD_DB_9       | EBI_A_9          | <b>LCD_DB_9</b> — LCD bidirectional data line 9.<br><b>EBI_A_9</b> — EBI address line 9.                               |
| mLCD_DB_10                            | LCD_DB_10      | EBI_A_10         | <b>LCD_DB_10</b> — LCD bidirectional data line 10.<br><b>EBI_A_10</b> — EBI address line 10.                           |
| mLCD_DB_11                            | LCD_DB_11      | EBI_A_11         | <b>LCD_DB_11</b> — LCD bidirectional data line 11.<br><b>EBI_A_11</b> — EBI address line 11.                           |
| mLCD_DB_12                            | LCD_DB_12      | EBI_A_12         | <b>LCD_DB_12</b> — LCD bidirectional data line 12.<br><b>EBI_A_12</b> — EBI address line 12.                           |
| mLCD_DB_13                            | LCD_DB_13      | EBI_A_13         | <b>LCD_DB_13</b> — LCD bidirectional data line 13.<br><b>EBI_A_13</b> — EBI address line 13.                           |
| mLCD_DB_14                            | LCD_DB_14      | EBI_A_14         | <b>LCD_DB_14</b> — LCD bidirectional data line 14.<br><b>EBI_A_14</b> — EBI address line 14.                           |

Table 10. Pin descriptions of multiplexed pins ...continued

| Pin Name                                | Default Signal | Alternate Signal | Description   |
|---|----------------|------------------|---|
| mLCD_DB_15                              | LCD_DB_15      | EBI_A_15         | <b>LCD_DB_15</b> — LCD bidirectional data line 15.<br><b>EBI_A_15</b> — EBI address line 15.  |
| <b>Storage related pin multiplexing</b> |                |                  |   |
| mGPIO5                                  | GPIO5          | MCI_CLK          | <b>GPIO5</b> — General Purpose I/O pin 5.<br><b>MCI_CLK</b> — MCI card clock.   |
| mGPIO6                                  | GPIO6          | MCI_CMD          | <b>GPIO_6</b> — General Purpose I/O pin 6.<br><b>MCI_CMD</b> — MCI card command input/output.   |
| mGPIO7                                  | GPIO7          | MCI_DAT_0        | <b>GPIO7</b> — General Purpose I/O pin 7.<br><b>MCI_DAT_0</b> — MCI card data input/output line 0.  |
| mGPIO8                                  | GPIO8          | MCI_DAT_1        | <b>GPIO8</b> — General Purpose I/O pin 8.<br><b>MCI_DAT_1</b> — MCI card data input/output line 1.  |
| mGPIO9                                  | GPIO9          | MCI_DAT_2        | <b>GPIO9</b> — General Purpose I/O pin 9.<br><b>MCI_DAT_2</b> — MCI card data input/output line 2.  |
| mGPIO10                                 | GPIO10         | MCI_DAT_3        | <b>GPIO10</b> — General Purpose I/O pin 10.<br><b>MCI_DAT_3</b> — MCI card data input/output line 3.  |
| <b>NAND related pin multiplexing</b>    |                |                  |   |
| mNAND_RYBN0                             | NAND_RYBN0     | MCI_DAT_4        | <b>NAND_RYBN0</b> — NAND flash controller Read/Not busy signal 0.<br><b>MCI_DAT_4</b> — MCI card data input/output line 4.                    |
| mNAND_RYBN1                             | NAND_RYBN1     | MCI_DAT_5        | <b>NAND_RYBN1</b> — NAND flash controller Read/Not busy signal 1.<br><b>MCI_DAT_5</b> — MCI card data input/output line 5.                    |
| mNAND_RYBN2                             | NAND_RYBN2     | MCI_DAT_6        | <b>NAND_RYBN2</b> — NAND flash controller Read/Not busy signal 2.<br><b>MCI_DAT_6</b> — MCI card data input/output line 6.                    |
| mNAND_RYBN3                             | NAND_RYBN3     | MCI_DAT7         | <b>NAND_RYBN3</b> — NAND flash controller Read/Not busy signal 3.<br><b>MCI_DAT7</b> — MCI card data input/output line 7.                     |
| <b>Audio related pin multiplexing</b>   |                |                  |   |
| mI2STX_DATA0                            | I2STX_DATA0    | PCM_DA           | <b>I2STX_DATA0</b> — I <sup>2</sup> S-bus interface 0 transmit data signal.<br><b>PCM_DA</b> — PCM serial data line A.                        |
| mI2STX_BCK0                             | I2STX_BCK0     | PCM_FSC          | <b>I2STX_BCK0</b> — I <sup>2</sup> S-bus interface 0 transmit bitclock signal.<br><b>PCM_FSC</b> — PCM frame synchronization signal.          |
| mI2STX_WS0                              | I2STX_WS0      | PCM_DCLK         | <b>I2STX_WS0</b> — I <sup>2</sup> S-bus interface 0 transmit word select signal.<br><b>PCM_DCLK</b> — PCM data clock output.                  |
| mI2STX_CLK0                             | I2STX_CLK0     | PCM_DB           | <b>I2STX_CLK0</b> — I <sup>2</sup> S-bus interface 0 transmit clock signal.<br><b>PCM_DB</b> — PCM serial data line B.                        |
| <b>UART related pin multiplexing</b>    |                |                  |   |
| mUART_CTS_N                             | UART_CTS_N     | SPI_CS_OUT1      | <b>UART_CTS_N</b> — UART modem control Clear-to-send signal.<br><b>SPI_CS_OUT1</b> — SPI chip select out for slave 1 (used in master mode).   |
| mUART_RTS_N                             | UART_RTS_N     | SPI_CS_OUT2      | <b>UART_RTS_N</b> — UART modem control Request-to-Send signal.<br><b>SPI_CS_OUT2</b> — SPI chip select out for slave 2 (used in master mode). |



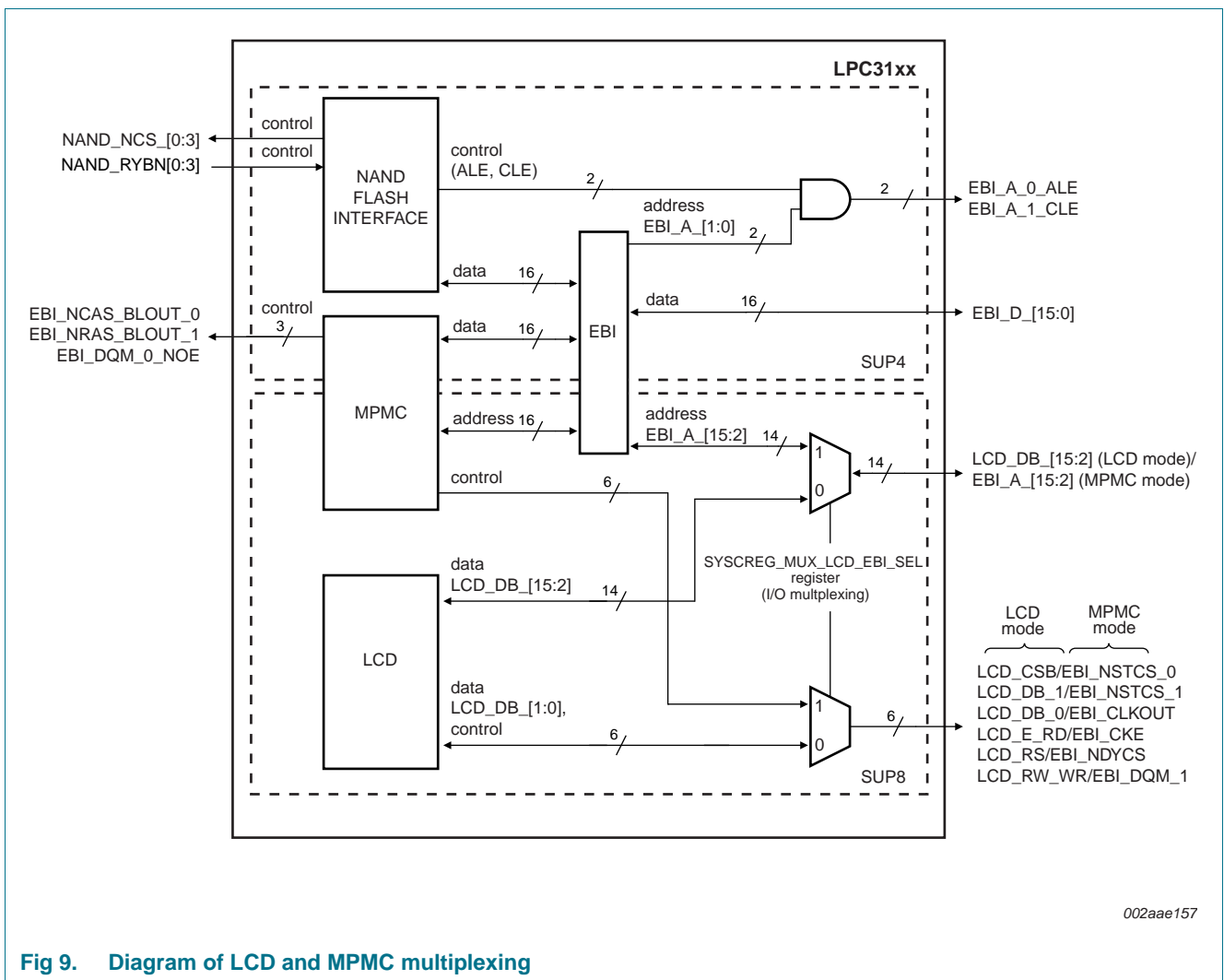
6.26.2 Multiplexing between LCD and MPMC

The multiplexing between the LCD interface and MPMC allows for the following two modes of operation:

- MPMC-mode: SDRAM and bus-based LCD or SRAM.
- LCD-mode: Dedicated LCD-Interface.

The external NAND flash is accessible in both modes.

The block diagram [Figure 9](#) gives a high level overview of the modules in the chip that are involved in the pin interface multiplexing between the EBI, NAND flash controller, MPMC, and RAM-based LCD interface.



002aae157

Fig 9. Diagram of LCD and MPMC multiplexing

[Figure 9](#) only shows the signals that are involved in pad-muxing, so not all interface signals are visible.

The EBI unit between the NAND flash interface and the MPMC contains an arbiter that determines which interface is muxed to the outside world. Both NAND flash and SDRAM/SRAM initiate a request to the EBI unit. This request is granted using round-robin arbitration (see [Section 6.6](#)).

### 6.26.3 Supply domains

As is shown in [Figure 9](#) the EBI (NAND flash/MPMC-control/data) is connected to a different supply domain than the LCD interface. The EBI control and address signals are muxed with the LCD interface signals and are part of supply domain SUP8. The SDRAM/SRAM data lines are shared with the NAND flash through the EBI and are part of supply domain SUP4. Therefore the following rules apply for connecting memories:

1. SDRAM and bus-based LCD or SRAM: This is the MPMC mode. The supply voltage for SDRAM/SRAM/bus-based LCD and NAND flash must be the same. The dedicated LCD interface is not available in this MPMC mode.
2. Dedicated LCD interface only: This is the LCD mode. The NAND flash supply voltage (SUP4) can be different from the LCD supply voltage (SUP8).

### 6.27 Timer module

The LPC3130/3131 contains four fully independent timer modules, which can be used to generate interrupts after a pre-set time interval has elapsed.

This module has the following features:

- Each timer is a 32 bit wide down-counter with selectable pre-scale. The pre-scaler allows using either the module clock directly or the clock divided by 16 or 256.
- Two modes of operation:
  - Free-running timer: The timer generates an interrupt when the counter reaches zero. The timer wraps around to 0xFFFFFFFF and continues counting down.
  - Periodic timer: The timer generates an interrupt when the counter reaches zero. It reloads the value from a load register and continues counting down from that value. An interrupt will be generated every time the counter reaches zero. This effectively gives a repeated interrupt at a regular interval.
- At any time the current timer value can be read.
- At any time the value in the load register may be re-written, causing the timer to restart.

### 6.28 Pulse Width Modulation (PWM) module

This PWM can be used to generate a pulse width modulated or a pulse density modulated signal. With an external low pass filter, the module can be used to generate a low-frequency analog signal. A typical use of the output of the module is to control the backlight of an LCD display.

This module has the following features:

- Supports Pulse Width Modulation (PWM) with software controlled duty cycle.
- Supports Pulse Density Modulation (PDM) with software controlled pulse density.

## 6.29 System control registers

The System Control Registers (SysCReg) module provides a register interface for some of the high-level settings in the system such as multiplexers and mode settings. This is an auxiliary module included in this overview for the sake of completeness.

## 6.30 I2S0/1 interfaces

The I2S0/1 receive and I2S0/1 transmit modules have the following features:

- Audio interface compatible with the I<sup>2</sup>S standard.
- I2S0/1 receive supports master mode and slave mode.
- I2S0/1 transmit supports master mode.
- Supports LSB justified words of 16, 18, 20 and 24 bits.
- Supports a configurable number of bit clock periods per Word Select period (up to 128 bit clock periods).
- Supports DMA transfers.
- Transmit FIFO (I<sup>2</sup>S transmit) or receive FIFO (I<sup>2</sup>S receive) of 4 stereo samples.
- Supports single 16 bit transfers to/from the left or right FIFO.
- Supports single 24 bit transfers to/from the left or right FIFO.
- Supports 32-bit interleaved transfers, with the lower 16 bits representing the left audio sample, and the higher 16 bits representing the right audio sample.
- Supports two 16-bit audio samples combined in a 32-bit word (2 left or 2 right samples) to reduce bus load.
- Provides maskable interrupts for audio status: FIFO underrun/overflow/full/half\_full/not empty for left and right channel separately.

## 7. Limiting values

**Table 11. Limiting values**

In accordance with the Absolute Maximum Rating System (IEC 60134).<sup>[1]</sup>

| Symbol                        | Parameter                       | Conditions                      | Min  | Typ | Max  | Unit |
|-------------------------------|---------------------------------|---------------------------------|------|-----|------|------|
| <b>All digital I/O pins</b>   |                                 |                                 |      |     |      |      |
| V <sub>I</sub>                | input voltage                   |                                 | -0.5 | -   | +3.6 | V    |
| V <sub>O</sub>                | output voltage                  |                                 | -0.5 | -   | +3.6 | V    |
| I <sub>O</sub>                | output current                  | VDDE_I <sub>OC</sub> = 3.3 V    | -    | 4   | -    | mA   |
| <b>Temperature values</b>     |                                 |                                 |      |     |      |      |
| T <sub>j</sub>                | junction temperature            |                                 | -40  | +25 | +125 | °C   |
| T <sub>stg</sub>              | storage temperature             | <sup>[2]</sup>                  | -65  | -   | +150 | °C   |
| T <sub>amb</sub>              | ambient temperature             |                                 | -40  | +25 | +85  | °C   |
| <b>Electrostatic handling</b> |                                 |                                 |      |     |      |      |
| V <sub>esd</sub>              | electrostatic discharge voltage | human body model <sup>[3]</sup> | -500 | -   | +500 | V    |
|                               |                                 | machine model                   | -100 | -   | +100 | V    |
|                               |                                 | charged device model            | -    | 500 | -    | V    |

[1] The following applies to the limiting values:

- a) This product includes circuitry specifically designed for the protection of its internal devices from the damaging effects of excessive static charge. Nonetheless, it is suggested that conventional precautions be taken to avoid applying greater than the rated maximum.
- b) Parameters are valid over operating temperature range unless otherwise specified. All voltages are with respect to V<sub>SS</sub> unless otherwise noted.

[2] Dependent on package type.

[3] Human body model: equivalent to discharging a 100 pF capacitor through a 1.5 kΩ series resistor.

## 8. Static characteristics

**Table 12: Static characteristics**

$T_{amb} = -40\text{ }^{\circ}\text{C}$  to  $+85\text{ }^{\circ}\text{C}$  unless otherwise specified.

| Symbol   | Parameter                         | Conditions   | Min                                 | Typ | Max                                 | Unit          |
|--|-----------------------------------|--|-------------------------------------|-----|-------------------------------------|---------------|
| <b>Supply pins</b>                                 |                                   |  |                                     |     |                                     |               |
| $V_{DD(I/O)}$                                      | input/output supply voltage       | NAND flash controller pads (SUP4) and LCD interface (SUP8); 1.8 V mode | 1.65                                | 1.8 | 1.95                                | V             |
|  |                                   | NAND flash controller pads (SUP4) and LCD interface (SUP8); 3.3 V mode | 2.5                                 | 3.3 | 3.6                                 | V             |
|  |                                   | other peripherals (SUP 3)  | 2.7                                 | 3.3 | 3.6                                 | V             |
| $V_{DD(CORE)}$                                     | core supply voltage               | (SUP1)   | 1.1                                 | 1.2 | 1.3                                 | V             |
| $V_{DD(OSC\_PLL)}$                                 | oscillator and PLL supply voltage | on pin VDDA12; for 12 MHz oscillator (SUP1)                            | 1.0                                 | 1.2 | 1.3                                 | V             |
| $V_{DD(ADC)}$                                      | ADC supply voltage                | on pin ADC10B_VDDA33; for 10-bit ADC (SUP 3)                           | 2.7                                 | 3.3 | 3.6                                 | V             |
| $V_{BUS}$  | bus supply voltage                | on pin USB_VBUS (SUP5)   | -                                   | 5.0 | -                                   | V             |
| $V_{DDA(USB)(3V3)}$                                | USB analog supply voltage (3.3 V) | on pin USB_VDDA33 (SUP 3)  | 3.0                                 | 3.3 | 3.6                                 | V             |
|  |                                   | on pin USB_VDDA33_DRV (SUP 3); driver                                  | 2.7                                 | 3.3 | 3.6                                 | V             |
| $V_{DDA(PLL)(1V2)}$                                | PLL analog supply voltage (1.2 V) | on pin USB_VDDA12_PLL (SUP1)   | 1.1                                 | 1.2 | 1.3                                 | V             |
| <b>Input pins and I/O pins configured as input</b> |                                   |  |                                     |     |                                     |               |
| $V_I$  | input voltage                     |  | 0                                   | -   | $VDDE\_IOC$                         | V             |
| $V_{IH}$   | HIGH-level input voltage          | SUP3; SUP4; SUP8   | $0.7VDDE\_IOx$<br>( $x = A, B, C$ ) | -   | -                                   | V             |
| $V_{IL}$   | LOW-level input voltage           | SUP3; SUP4; SUP8   | -                                   | -   | $0.3VDDE\_IOx$<br>( $x = A, B, C$ ) | V             |
| $V_{hys}$  | hysteresis voltage                | SUP4; SUP8   |                                     |     |                                     | V             |
|  |                                   | 1.8 V mode   | 400                                 | -   | 600                                 | mV            |
|  |                                   | 3.3 V mode   | 550                                 | -   | 850                                 | mV            |
|  |                                   | SUP3   | $0.1VDDE\_IOC$                      | -   | -                                   | V             |
| $I_{IL}$   | LOW-level input current           | $V_I = 0\text{ V}$ ; no pull-up  | -                                   | -   | 2.1                                 | $\mu\text{A}$ |
| $I_{IH}$   | HIGH-level input current          | $V_I = V_{DD(I/O)}$ ; no pull-down                                     | -                                   | -   | 3.9                                 | $\mu\text{A}$ |
| $I_{latch}$  | I/O latch-up current              | $-(1.5V_{DD(I/O)}) < V_I < (1.5V_{DD(I/O)})$                           | <a href="#">[1]</a>                 | -   | 100                                 | mA            |

**Table 12: Static characteristics**

$T_{amb} = -40\text{ }^{\circ}\text{C}$  to  $+85\text{ }^{\circ}\text{C}$  unless otherwise specified.

| Symbol   | Parameter                 | Conditions  | Min | Typ                  | Max           | Unit  |               |
|--|---------------------------|---|-----|----------------------|---------------|-------|---------------|
| $I_{pu}$   | pull-up current           | inputs with pull-up;<br>$V_I = 0$                                 |     |                      |               |       |               |
|  |                           | SUP4/SUP8;<br>1.8 V mode  | [1] | 47                   | 65            | 103   | $\mu\text{A}$ |
|  |                           | SUP4/SUP8;<br>3.3 V mode  | [1] | 45                   | 50            | 101   | $\mu\text{A}$ |
| $I_{pd}$   | pull-down current         | inputs with pull-down;<br>$V_I = V_{DD}$                          |     |                      |               |       |               |
|  |                           | SUP4/SUP8;<br>1.8 V mode  | [1] | 49                   | 75            | 110   | $\mu\text{A}$ |
|  |                           | SUP4/SUP8;<br>3.3 V mode  | [1] | 56                   | 50            | 110   | $\mu\text{A}$ |
|  |                           | SUP3  | [1] | 29                   | 50            | 76    | $\mu\text{A}$ |
|  |                           | SUP3  | [1] | 25                   | 50            | 68    | $\mu\text{A}$ |
| <b>Output pins and I/O pins configured as output</b> |                           |   |     |                      |               |       |               |
| $V_O$  | output voltage            |   | -   | -                    | $V_{DD(I/O)}$ | V     |               |
| $V_{OH}$   | HIGH-level output voltage | SUP4; SUP8;<br>$I_{OH} = 6\text{ mA}$                             |     |                      |               |       |               |
|  |                           | 1.8 V mode  |     | $V_{DD(I/O)} - 0.36$ | -             | -     | V             |
|  |                           | 3.3 V mode  |     | $V_{DD(I/O)} - 0.32$ | -             | -     | V             |
|  |                           | SUP3; $I_{OH} = 6\text{ mA}$                                      |     | $V_{DD(I/O)} - 0.26$ | -             | -     | V             |
|  |                           | SUP3; $I_{OH} = 30\text{ mA}$                                     |     | $V_{DD(I/O)} - 0.38$ | -             | -     | V             |
| $V_{OL}$   | LOW-level output voltage  | SUP4; SUP8 outputs;<br>$I_{OL} = 4\text{ mA}$                     |     |                      |               |       |               |
|  |                           | 1.8 V mode  |     | -                    | -             | 0.2   | V             |
|  |                           | 3.3 V mode  | [1] | -                    | -             | 0.4   | V             |
|  |                           | SUP3; $I_{OL} = 4\text{ mA}$                                      |     | -                    | -             | 0.4   | V             |
| $I_{OH}$   | HIGH-level output current | $V_{DD(I/O)} = 1.8\text{ V};$<br>$V_{OH} = V_{DD} - 0.4\text{ V}$ |     | 1                    | -             | -     | $\text{mA}$   |
|  |                           | $V_{DD(I/O)} = 3.3\text{ V};$<br>$V_{OH} = V_{DD} - 0.4\text{ V}$ |     | 2.5                  | -             | -     | $\text{mA}$   |
| $I_{OL}$   | LOW-level output current  | $V_{DD(I/O)} = 1.8\text{ V};$<br>$V_{OL} = 0.4\text{ V}$          |     | 4.3                  | -             | -     | $\text{mA}$   |
|  |                           | $V_{DD(I/O)} = 3.3\text{ V};$<br>$V_{OL} = 0.4\text{ V}$          |     | 6.2                  | -             | -     | $\text{mA}$   |
| $I_{OZ}$   | OFF-state output current  | $V_O = 0\text{ V}; V_O = V_{DD};$<br>no pull-up/down              |     | -                    | -             | 0.064 | $\mu\text{A}$ |
| $Z_o$  | output impedance          | $V_{DD} = V_{DDE\_IOx}$<br>( $x = A, B, C$ )                      |     |                      |               |       |               |
|  |                           | 1.8 V mode  | [1] | -                    | 45            | -     | $\Omega$      |
|  |                           | 3.3 V mode  | [1] | -                    | 35            | -     | $\Omega$      |
| <b>I<sup>2</sup>C0-bus pins</b>                      |                           |   |     |                      |               |       |               |
| $I_{OZ}$   | OFF-state output current  | $V_O = 0\text{ V}; V_O = V_{DD};$<br>no pull-up/down              |     | -                    | -             | 7.25  | $\mu\text{A}$ |

**Table 12: Static characteristics**

$T_{amb} = -40\text{ °C}$  to  $+85\text{ °C}$  unless otherwise specified.

| Symbol       | Parameter                  | Conditions                                       | Min             | Typ  | Max         | Unit          |
|--------------|----------------------------|--|-----------------|------|-------------|---------------|
| $V_{IH}$     | HIGH-level input voltage   |  | [1] 0.7VDDE_IOx | -    | -           | V             |
| $V_{IL}$     | LOW-level input voltage    |  | [1] -           | -    | 0.3VDDE_IOx | V             |
| $V_{hys}$    | hysteresis voltage         |  | [1] 0.1VDDE_IOx | -    | -           | V             |
| $V_{OL}$     | LOW-level output voltage   | $I_{OLS} = 3\text{ mA}$                          | -               | -    | 0.298       | V             |
| $I_{LI}$     | input leakage current      | VDDE voltage domain;<br>$T_{amb} = 25\text{ °C}$ | [1] -           | 1.7  | -           | $\mu\text{A}$ |
|              |                            | VDD voltage domain;<br>$T_{amb} = 25\text{ °C}$  | [1] -           | 0.01 | -           | $\mu\text{A}$ |
| <b>USB</b>   |                            |  |                 |      |             |               |
| $V_{IC}$     | common-mode input voltage  | high-speed mode                                  | -50             | 200  | 500         | mV            |
|              |                            | full-speed/low-speed mode                        | 800             | -    | 2500        | mV            |
|              |                            | chirp mode                                       | -50             | -    | 600         | mV            |
| $V_{i(dif)}$ | differential input voltage |  | 100             | 400  | 1100        | mV            |

[1] The parameter values specified are simulated values.

**Table 13. ADC static characteristics**

$V_{DD(ADC)} = 2.7\text{ V to }3.6\text{ V}$ ;  $T_{amb} = -40\text{ °C to }+85\text{ °C}$  unless otherwise specified.

| Symbol         | Parameter                    | Conditions | Min                    | Typ | Max           | Unit |
|----------------|------------------------------|------------|------------------------|-----|---------------|------|
| $V_{IA}$       | analog input voltage         |            | 0 <sup>[1]</sup>       | -   | $V_{DD(ADC)}$ | V    |
| $N_{res(ADC)}$ | ADC resolution               |            | 2                      | -   | 10            | bit  |
| $E_D$          | differential linearity error |            | <sup>[2][3][4]</sup> - | -   | $\pm 1$       | LSB  |
| $E_{L(adj)}$   | integral non-linearity       |            | <sup>[2][5]</sup> -    | -   | $\pm 1$       | LSB  |
| $V_{err(O)}$   | offset error voltage         |            | -20                    | -   | +20           | mV   |

[1] On pin ADC10B\_GNDA.

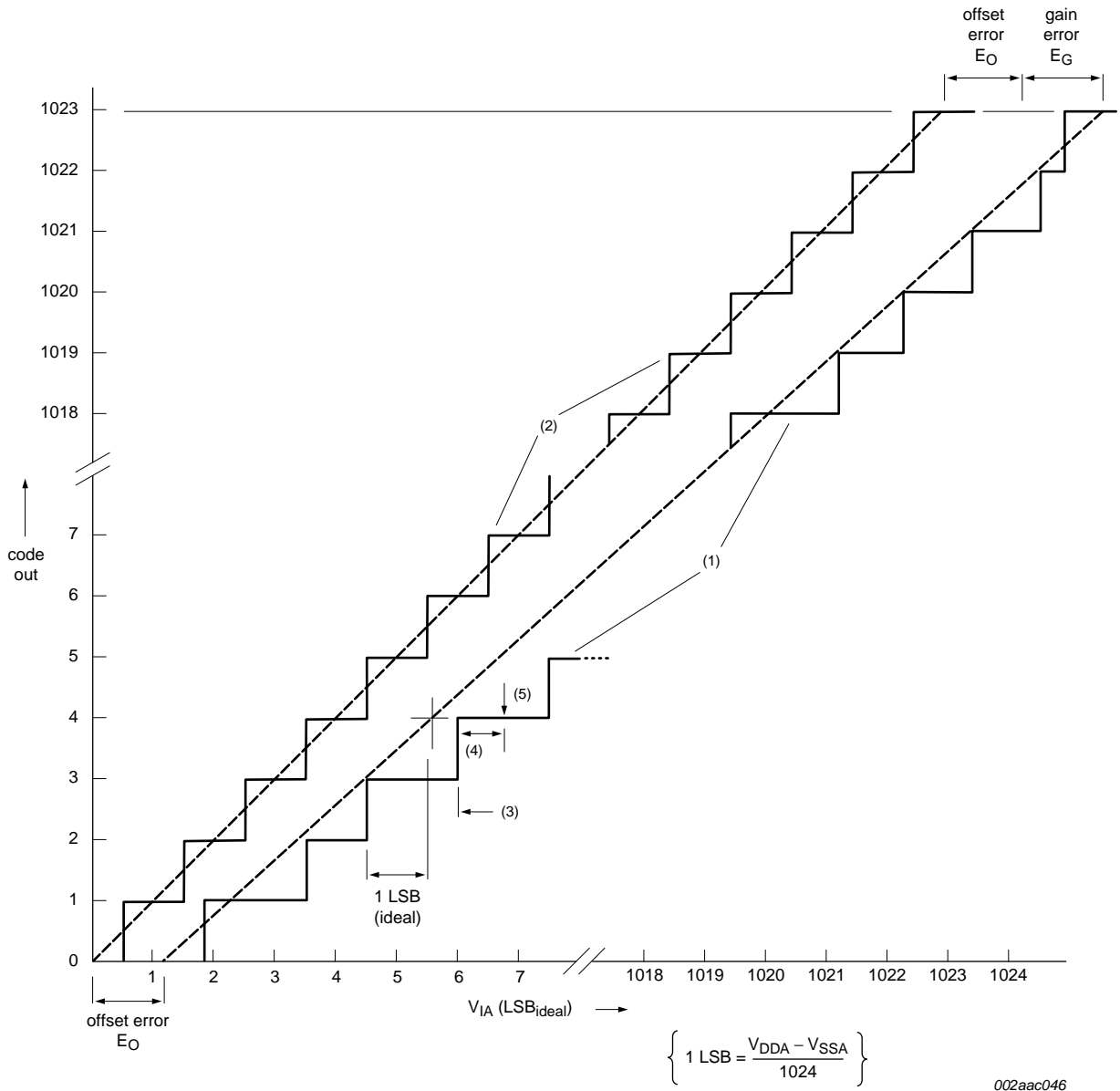
[2] Conditions:  $V_{SSA} = 0\text{ V}$  on pin ADC10B\_GNDA,  $V_{DD(ADC)} = 3.3\text{ V}$ .

[3] The ADC is monotonic, there are no missing codes.

[4] The differential linearity error ( $E_D$ ) is the difference between the actual step width and the ideal step width. See [Figure 10](#).

[5] The integral non-linearity ( $E_{L(adj)}$ ) is the peak difference between the center of the steps of the actual and the ideal transfer curve after appropriate adjustment of gain and offset errors. See [Figure 10](#).





- (1) Example of an actual transfer curve.
- (2) The ideal transfer curve.
- (3) Differential linearity error ( $E_D$ ).
- (4) Integral non-linearity ( $E_{L(adj)}$ ).
- (5) Center of a step of the actual transfer curve.

**Fig 10. ADC characteristics**

### 8.1 Power consumption

Table 14. Power consumption

| Symbol   | Parameter         | Conditions  | Min | Typ    | Max | Unit |
|--|-------------------|---|-----|--------|-----|------|
| <b>Standby power mode<sup>[1]</sup></b>  |                   |   |     |        |     |      |
| I <sub>DD</sub>  | Supply current    | core; VDDI = 1.2 V  | -   | 1.1    | -   | mA   |
|  |                   | all other SUP1 supplies: VDDA12 = 1.2 V;<br>USB_VDDA12_PL = 1.2 V | -   | 0.175  | -   | mA   |
|  |                   | VDDE_IOA = 1.8 V  | -   | 0.001  | -   | mA   |
|  |                   | VDDE_IOB = 1.8 V  | -   | 0.0008 | -   | mA   |
|  |                   | VDDE_IOC = 3.3 V  | -   | 0.065  | -   | mA   |
|  |                   | ADC10B_VDDA33 = 3.3 V   | -   | 0      | -   | mA   |
|  |                   | USB_VDDA33 = 3.3 V  | -   | 0      | -   | mA   |
|  |                   | USB_VDDA_DRV = 3.3 V  | -   | 0      | -   | mA   |
| P  | Power dissipation | Total for supply domains SUP1, SUP3, SUP4, SUP8                   | -   | 1.75   | -   | mW   |
| <b>External SDRAM based system (operating frequency 180 MHz (core)/ 90 MHz (bus)); heavy SDRAM load power; without dynamic clock scaling<sup>[2]</sup></b> |                   |   |     |        |     |      |
| I <sub>DD</sub>  | Supply current    | core; VDDI = 1.2 V  | -   | 67.2   | -   | mA   |
|  |                   | all other SUP1 supplies: VDDA12 = 1.2 V;<br>USB_VDDA12_PL = 1.2 V | -   | 0.93   | -   | mA   |
|  |                   | VDDE_IOA = 1.8 V  | -   | 11.54  | -   | mA   |
|  |                   | VDDE_IOB = 1.8 V  | -   | 6.64   | -   | mA   |
|  |                   | VDDE_IOC = 3.3 V  | -   | 0.08   | -   | mA   |
|  |                   | ADC10B_VDDA33 = 3.3 V   | -   | 0.0002 | -   | mA   |
|  |                   | USB_VDDA33 = 3.3 V  | -   | 1.63   | -   | mA   |
|  |                   | USB_VDDA_DRV = 3.3 V  | -   | 0.895  | -   | mA   |
| P  | Power dissipation | Total for supply domains SUP1, SUP3, SUP4, SUP8                   | -   | 123.1  | -   | mW   |
| <b>External SDRAM based system (operating frequency 180 MHz (core)/ 90 MHz (bus)); heavy SDRAM load power; with dynamic clock scaling<sup>[2][3]</sup></b> |                   |   |     |        |     |      |
| I <sub>DD</sub>  | Supply current    | core; VDDI = 1.2 V  | -   | 53.2   | -   | mA   |
|  |                   | all other SUP1 supplies: VDDA12 = 1.2 V;<br>USB_VDDA12_PL = 1.2 V | -   | 0.93   | -   | mA   |
|  |                   | VDDE_IOA = 1.8 V  | -   | 5      | -   | mA   |
|  |                   | VDDE_IOB = 1.8 V  | -   | 3.62   | -   | mA   |
|  |                   | VDDE_IOC = 3.3 V  | -   | 0.08   | -   | mA   |
|  |                   | ADC10B_VDDA33 = 3.3 V   | -   | 0.0002 | -   | mA   |
|  |                   | USB_VDDA33 = 3.3 V  | -   | 1.62   | -   | mA   |
|  |                   | USB_VDDA_DRV = 3.3 V  | -   | 0.895  | -   | mA   |
| P  | Power dissipation | Total for supply domains SUP1, SUP3, SUP4, SUP8                   | -   | 89     | -   | mW   |

Table 14. Power consumption ...continued

| Symbol   | Parameter         | Conditions  | Min | Typ    | Max | Unit |
|--|-------------------|---|-----|--------|-----|------|
| <b>External SDRAM based system (operating frequency 180 MHz (core)/ 90 MHz (bus)); normal mode power; without dynamic clock scaling<sup>[4]</sup></b>        |                   |   |     |        |     |      |
| I <sub>DD</sub>  | Supply current    | core; VDDI = 1.2 V  | -   | 33.19  | -   | mA   |
|  |                   | all other SUP1 supplies: VDDA12 = 1.2 V;<br>USB_VDDA12_PL = 1.2 V | -   | 0.93   | -   | mA   |
|  |                   | VDDE_IOA = 1.8 V  | -   | 4.85   | -   | mA   |
|  |                   | VDDE_IOB = 1.8 V  | -   | 4.85   | -   | mA   |
|  |                   | VDDE_IOC = 3.3 V  | -   | 0.85   | -   | mA   |
|  |                   | ADC10B_VDDA33 = 3.3 V   | -   | 0.0002 | -   | mA   |
|  |                   | USB_VDDA33 = 3.3 V  | -   | 1.63   | -   | mA   |
|  |                   | USB_VDDA_DRV = 3.3 V  | -   | 0.895  | -   | mA   |
| P  | Power dissipation | Total for supply domains SUP1, SUP3, SUP4, SUP8                   | -   | 70     | -   | mW   |
| <b>External SDRAM based system (operating frequency 180 MHz (core)/ 90 MHz (bus)); normal mode power; with dynamic clock scaling<sup>[3][4]</sup></b>        |                   |   |     |        |     |      |
| I <sub>DD</sub>  | Supply current    | core; VDDI = 1.2 V  | -   | 13.84  | -   | mA   |
|  |                   | all other SUP1 supplies: VDDA12 = 1.2 V;<br>USB_VDDA12_PL = 1.2 V | -   | 0.93   | -   | mA   |
|  |                   | VDDE_IOA = 1.8 V  | -   | 2.2    | -   | mA   |
|  |                   | VDDE_IOB = 1.8 V  | -   | 0.31   | -   | mA   |
|  |                   | VDDE_IOC = 3.3 V  | -   | 0.85   | -   | mA   |
|  |                   | ADC10B_VDDA33 = 3.3 V   | -   | 0.0002 | -   | mA   |
|  |                   | USB_VDDA33 = 3.3 V  | -   | 1.62   | -   | mA   |
|  |                   | USB_VDDA_DRV = 3.3 V  | -   | 0.895  | -   | mA   |
| P  | Power dissipation | Total for supply domains SUP1, SUP3, SUP4, SUP8                   | -   | 33.4   | -   | mW   |
| <b>Internal SRAM based system (operating frequency 180 MHz (core)/ 90 MHz (bus)); normal mode power; without dynamic clock scaling; MMU on<sup>[5]</sup></b> |                   |   |     |        |     |      |
| I <sub>DD</sub>  | Supply current    | core; VDDI = 1.2 V  | -   | 37.95  | -   | mA   |
|  |                   | all other SUP1 supplies: VDDA12 = 1.2 V;<br>USB_VDDA12_PL = 1.2 V | -   | 2.1    | -   | mA   |
|  |                   | VDDE_IOA = 1.8 V  | -   | 1.42   | -   | mA   |
|  |                   | VDDE_IOB = 1.8 V  | -   | 0.038  | -   | mA   |
|  |                   | VDDE_IOC = 3.3 V  | -   | 0.79   | -   | mA   |
|  |                   | ADC10B_VDDA33 = 3.3 V   | -   | 0.0002 | -   | mA   |
|  |                   | USB_VDDA33 = 3.3 V  | -   | 0.89   | -   | mA   |
|  |                   | USB_VDDA_DRV = 3.3 V  | -   | 1.75   | -   | mA   |
| P  | Power dissipation | Total for supply domains SUP1, SUP3, SUP4, SUP8                   | -   | 62     | -   | mW   |

Table 14. Power consumption ...continued

| Symbol  | Parameter         | Conditions  | Min | Typ    | Max | Unit |
|---|-------------------|---|-----|--------|-----|------|
| <b>Internal SRAM based system (operating frequency 180 MHz (core)/ 90 MHz (bus)); normal mode power; without dynamic clock scaling; MMU off<sup>[6]</sup></b> |                   |   |     |        |     |      |
| I <sub>DD</sub>   | Supply current    | core; VDDI = 1.2 V  | -   | 26.3   | -   | mA   |
|   |                   | all other SUP1 supplies: VDDA12 = 1.2 V;<br>USB_VDDA12_PL = 1.2 V | -   | 1.57   | -   | mA   |
|   |                   | VDDE_IOA = 1.8 V  | -   | 1      | -   | mA   |
|   |                   | VDDE_IOB = 1.8 V  | -   | 0.038  | -   | mA   |
|   |                   | VDDE_IOC = 3.3 V  | -   | 0.068  | -   | mA   |
|   |                   | ADC10B_VDDA33 = 3.3 V   | -   | 0.0002 | -   | mA   |
|   |                   | USB_VDDA33 = 3.3 V  | -   | 1.59   | -   | mA   |
|   |                   | USB_VDDA_DRV = 3.3 V  | -   | 0.89   | -   | mA   |
| P   | Power dissipation | Total for supply domains SUP1, SUP3, SUP4, SUP8                   | -   | 43.7   | -   | mW   |

- [1] 12 MHz oscillator running; PLLs off; SYS\_BASE and AHB\_APB0\_BASE Base domain clocks are enabled, driven by 12 MHz oscillator; all peripherals off; SUP4 buffers set to input w/PD; SUP8 and SUP3 buffers set to input w/repeater. Shutting off the 12 MHz osc will reduce power to 1.4 mW (requires a RSTIN\_N to run again).
- [2] Running Linux with 100% load; all peripherals on; instruction and data caches on; MMU on.
- [3] Dynamic clock scaling active; hardware will automatically switch the SYSBASE clocks to a slow clock (180 / 64 = 2.81 MHz) during times of bus inactivity. ARM926 and NAND flash clocks are not scaled for this test.
- [4] Running Linux idle at prompt; all peripherals on; instruction and data caches on; MMU on.
- [5] Running Dhrystone test (600 k/sec); UART and timers enabled; instruction and data caches on; MMU on.
- [6] Running Dhrystone test (121.83 k/sec); UART and timers enabled; instruction and data caches off; MMU off.

## 9. Dynamic characteristics

### 9.1 LCD controller

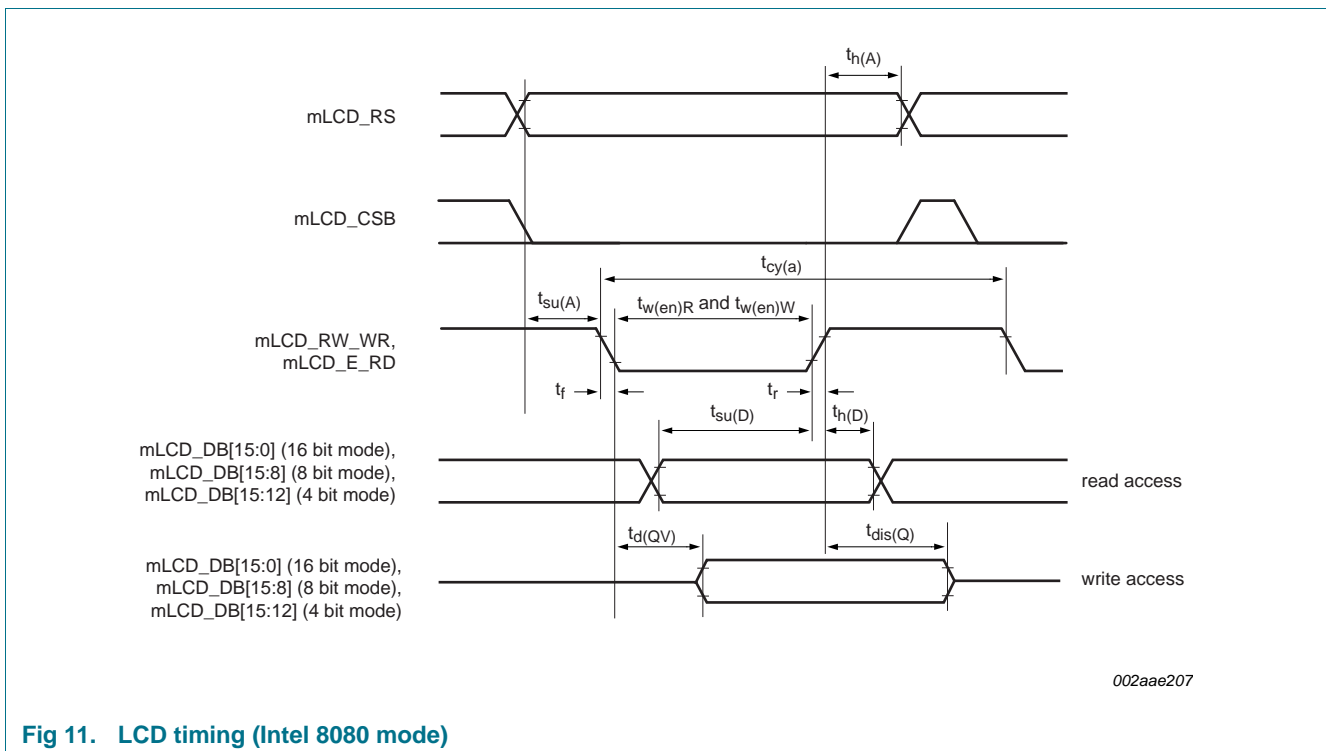
#### 9.1.1 Intel 8080 mode

**Table 15. Dynamic characteristics: LCD controller in Intel 8080 mode**

$C_L = 25\text{ pF}$ ,  $T_{amb} = -40\text{ °C to }+85\text{ °C}$ , unless otherwise specified;  $V_{DD(I/O)} = 1.8\text{ V and }3.3\text{ V (SUP8)}$ .

| Symbol       | Parameter                    | Conditions | Min | Typ                       | Max | Unit |
|--------------|------------------------------|------------|-----|---------------------------|-----|------|
| $t_{su(A)}$  | address set-up time          |            | -   | $1 \times \text{LCDCLK}$  | -   | ns   |
| $t_{h(A)}$   | address hold time            |            | -   | $2 \times \text{LCDCLK}$  | -   | ns   |
| $t_{cy(a)}$  | access cycle time            | [1]        | -   | $5 \times \text{LCDCLK}$  | -   | ns   |
| $t_{w(en)W}$ | write enable pulse width     | [1]        | -   | $2 \times \text{LCDCLK}$  | -   | ns   |
| $t_{w(en)R}$ | read enable pulse width      | [1]        | -   | $2 \times \text{LCDCLK}$  | -   | ns   |
| $t_r$        | rise time                    |            | 2   | -                         | 5   | ns   |
| $t_f$        | fall time                    |            | 2   | -                         | 5   | ns   |
| $t_{d(QV)}$  | data output valid delay time |            | -   | $-1 \times \text{LCDCLK}$ | -   | ns   |
| $t_{dis(Q)}$ | data output disable time     |            | -   | $2 \times \text{LCDCLK}$  | -   | ns   |

[1] Timing is determined by the LCD Interface Control Register fields: `INVERT_CS = 1`; `MI = 0`; `PS = 0`; `INVERT_E_RD = 0`. See LPC3130/3131 user manual.



**Fig 11. LCD timing (Intel 8080 mode)**

9.1.2 Motorola 6800 mode

**Table 16. Dynamic characteristics: LCD controller in Motorola 6800 mode**

$C_L = 25\text{ pF}$ ,  $T_{amb} = -40\text{ }^\circ\text{C}$  to  $+85\text{ }^\circ\text{C}$ , unless otherwise specified;  $V_{DD(I/O)} = 1.8\text{ V}$  and  $3.3\text{ V (SUP8)}$ .

| Symbol       | Parameter                    | Conditions  | Min | Typ                       | Max | Unit |
|--------------|------------------------------|-------------|-----|---------------------------|-----|------|
| $t_{su(A)}$  | address set-up time          |             | -   | $1 \times \text{LCDCLK}$  | -   | ns   |
| $t_{h(A)}$   | address hold time            |             | -   | $2 \times \text{LCDCLK}$  | -   | ns   |
| $t_{cy(a)}$  | access cycle time            | [1]         | -   | $5 \times \text{LCDCLK}$  | -   | ns   |
| $t_r$        | rise time                    |             | 2   | -                         | 5   | ns   |
| $t_f$        | fall time                    |             | 2   | -                         | 5   | ns   |
| $t_{d(QV)}$  | data output valid delay time |             | -   | $-1 \times \text{LCDCLK}$ | -   | ns   |
| $t_{dis(Q)}$ | data output disable time     |             | -   | $2 \times \text{LCDCLK}$  | -   | ns   |
| $t_{w(en)}$  | enable pulse width           | read cycle  | -   | $2 \times \text{LCDCLK}$  | -   | ns   |
|              |                              | write cycle | -   | $2 \times \text{LCDCLK}$  | -   | ns   |

[1] Timing is derived from the LCD Interface Control Register fields:  $\text{INVERT\_CS} = 1$ ;  $\text{MI} = 1$ ;  $\text{PS} = 0$ ;  $\text{INVERT\_E\_RD} = 0$ . See LPC3130/3131 user manual.

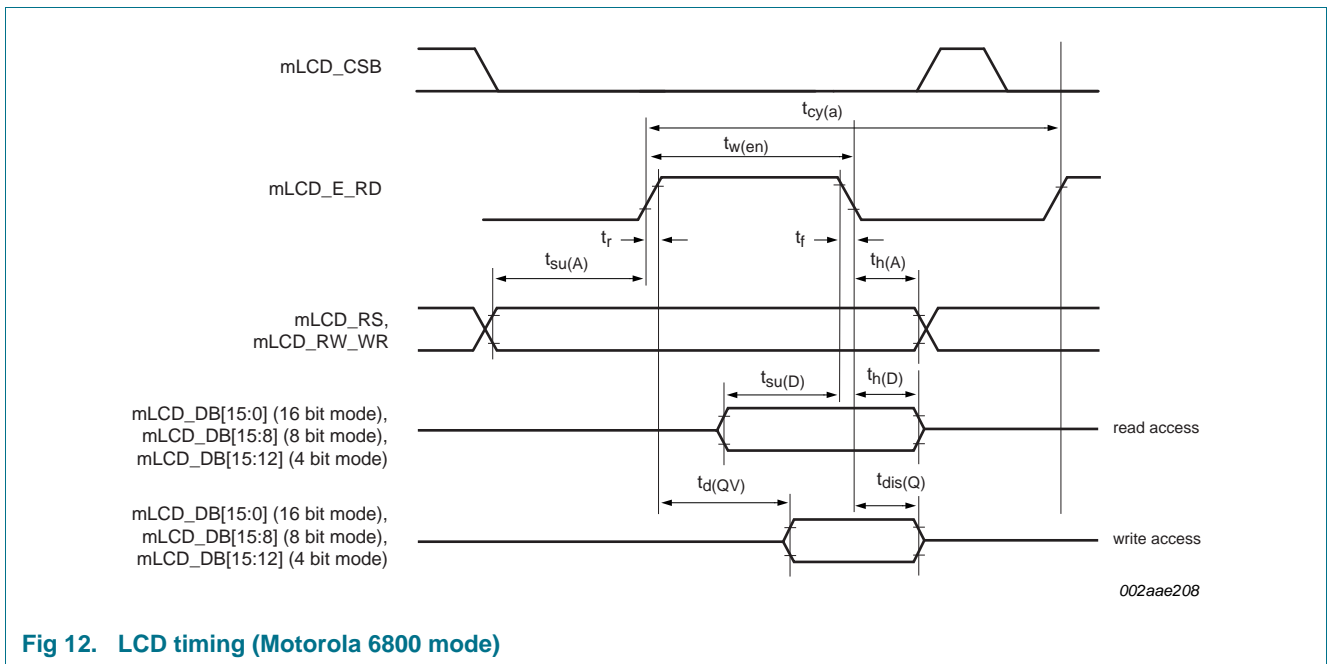


Fig 12. LCD timing (Motorola 6800 mode)

9.1.3 Serial mode

Table 17. Dynamic characteristics: LCD controller serial mode

$C_L = 25\text{ pF}$ ,  $T_{amb} = -40\text{ }^\circ\text{C}$  to  $+85\text{ }^\circ\text{C}$ , unless otherwise specified;  $V_{DD(I/O)} = 1.8\text{ V}$  and  $3.3\text{ V}$  (SUP8).

| Symbol               | Parameter                    | Conditions | Min | Typ                       | Max | Unit |
|----------------------|------------------------------|------------|-----|---------------------------|-----|------|
| $T_{cy(\text{clk})}$ | clock cycle time             | [1]        | -   | $5 \times \text{LCDCLK}$  | -   | ns   |
| $t_{w(\text{clk})H}$ | HIGH clock pulse width       | [1]        | -   | $3 \times \text{LCDCLK}$  | -   | ns   |
| $t_{w(\text{clk})L}$ | LOW clock pulse width        | [1]        | -   | $2 \times \text{LCDCLK}$  | -   | ns   |
| $t_r$                | rise time                    |            | 2   | -                         | 5   | ns   |
| $t_f$                | fall time                    |            | 2   | -                         | 5   | ns   |
| $t_{su(A)}$          | address set-up time          |            | -   | $3 \times \text{LCDCLK}$  | -   | ns   |
| $t_{h(A)}$           | address hold time            |            | -   | $2 \times \text{LCDCLK}$  | -   | ns   |
| $t_{su(S)}$          | chip select set-up time      |            | -   | $3 \times \text{LCDCLK}$  | -   | ns   |
| $t_{h(S)}$           | chip select hold time        |            | -   | $1 \times \text{LCDCLK}$  | -   | ns   |
| $t_{d(QV)}$          | data output valid delay time |            | -   | $-1 \times \text{LCDCLK}$ | -   | ns   |

[1] Timing is determined by the LCD Interface Control Register fields: PS = 1; SERIAL\_CLK\_SHIFT = 3; SERIAL\_READ\_POS = 3. See the LPC3130/3131 user manual.

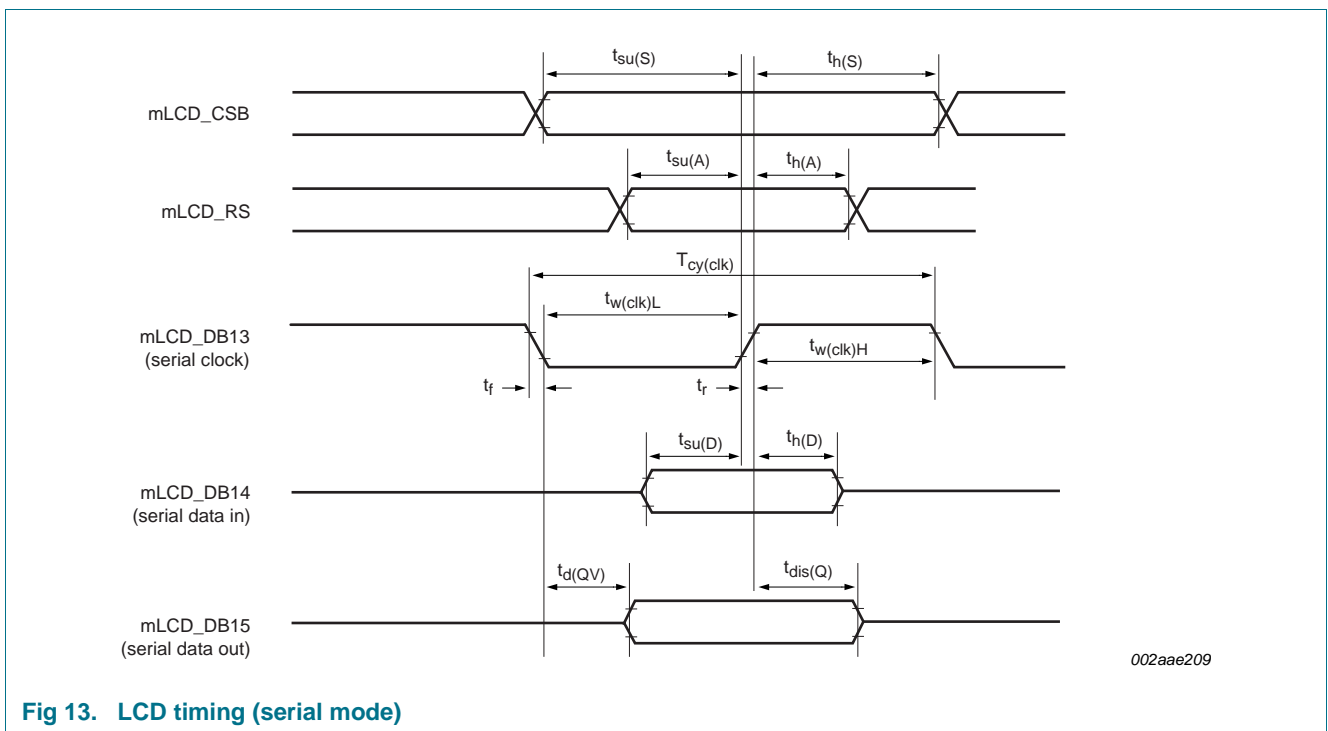


Fig 13. LCD timing (serial mode)

## 9.2 SRAM controller

**Table 18. Dynamic characteristics: static external memory interface**

$C_L = 25\text{ pF}$ ,  $T_{amb} = -40\text{ °C to }+85\text{ °C}$ , unless otherwise specified;  $V_{DD(I/O)} = 1.8\text{ V and }3.3\text{ V (SUP8)}$ .

| Symbol                                 | Parameter  | Conditions         | Min  | Typ                           | Max | Unit |
|--|--|--------------------|------|-------------------------------|-----|------|
| <b>Common to read and write cycles</b> |  |                    |      |                               |     |      |
| $t_{CSLAV}$                            | $\overline{CS}$ LOW to address valid time          |                    | -1.8 | 0                             | 4   | ns   |
| <b>Read cycle parameters</b>           |  |                    |      |                               |     |      |
| $t_{OELAV}$                            | $\overline{OE}$ LOW to address valid time          | [1][2]             | -    | 0 – WAITOEN × HCLK            | -   | ns   |
| $t_{BLSLAV}$                           | $\overline{BLS}$ LOW to address valid time         | [1][2]             | -    | 0 – WAITOEN × HCLK            | -   | ns   |
| $t_{CSLOEL}$                           | $\overline{CS}$ LOW to $\overline{OE}$ LOW time    | [3][4]             | -    | 0 + WAITOEN × HCLK            | -   | ns   |
| $t_{CSLBLSL}$                          | $\overline{CS}$ LOW to $\overline{BLS}$ LOW time   | [1][5]             | -    | 0 + WAITOEN × HCLK            | -   | ns   |
| $t_{OELOEH}$                           | $\overline{OE}$ LOW to $\overline{OE}$ HIGH time   | [1][6][7]<br>[12]  | -    | (WAITRD – WAITOEN + 1) × HCLK | -   | ns   |
| $t_{BLSLBLSH}$                         | $\overline{BLS}$ LOW to $\overline{BLS}$ HIGH time | [1][7]<br>[12]     | -    | (WAITRD – WAITOEN + 1) × HCLK | -   | ns   |
| $t_{su(D)}$                            | data input set-up time                             |                    | 9    | -                             | -   | ns   |
| $t_{h(D)}$                             | data input hold time                               |                    | -    | 0                             | -   | ns   |
| $t_{CSHOEH}$                           | $\overline{CS}$ HIGH to $\overline{OE}$ HIGH time  |                    | 3    | 0                             | -   | ns   |
| $t_{CSHBLSH}$                          | $\overline{CS}$ HIGH to $\overline{BLS}$ HIGH time |                    | -    | 0                             | -   | ns   |
| $t_{OEHANV}$                           | $\overline{OE}$ HIGH to address invalid time       |                    | 10   | -                             | -   | ns   |
| $t_{BLSHANV}$                          | $\overline{BLS}$ HIGH to address invalid time      |                    | -    | 1 × HCLK                      | -   | ns   |
| <b>Write cycle parameters</b>          |  |                    |      |                               |     |      |
| $t_{CSLDV}$                            | $\overline{CS}$ LOW to data valid time             |                    | -    | -                             | 9   | ns   |
| $t_{CSLWEL}$                           | $\overline{CS}$ LOW to $\overline{WE}$ LOW time    | [8][13]            | -    | (WAITWEN + 1) × HCLK          | -   | ns   |
| $t_{CSLBLSL}$                          | $\overline{CS}$ LOW to $\overline{BLS}$ LOW time   | [9][13]            | -    | WAITWEN × HCLK                | -   | ns   |
| $t_{WELDV}$                            | $\overline{WE}$ LOW to data valid time             | [10][13]           | -    | 0 – (WAITWEN + 1) × HCLK      | -   | ns   |
| $t_{WELWEH}$                           | $\overline{WE}$ LOW to $\overline{WE}$ HIGH time   | [7][8]<br>[13][14] | -    | (WAITWR – WAITWEN + 1) × HCLK | -   | ns   |
| $t_{BLSLBLSH}$                         | $\overline{BLS}$ LOW to $\overline{BLS}$ HIGH time | [11][13]<br>[14]   | -    | (WAITWR – WAITWEN + 3) × HCLK | -   | ns   |
| $t_{WEHANV}$                           | $\overline{WE}$ HIGH to address invalid time       |                    | -    | 1 × HCLK                      | -   | ns   |
| $t_{WEHDNV}$                           | $\overline{WE}$ HIGH to data invalid time          |                    | -    | 1 × HCLK                      | -   | ns   |
| $t_{BLSHANV}$                          | $\overline{BLS}$ HIGH to address invalid time      |                    | -    | 1 × HCLK                      | -   | ns   |
| $t_{BLSHDNV}$                          | $\overline{BLS}$ HIGH to data invalid time         |                    | -    | 1 × HCLK                      | -   | ns   |

[1] Refer to the LPC3130/3131 *user manual* for the programming of WAITOEN and HCLK.

[2] Only when WAITRD is  $\geq$  to WAITOEN, otherwise  $\overline{OE}$ ,  $\overline{CS}$ ,  $\overline{BLS}$  and Address will change state about the same time.

[3] WAITRD must  $\geq$  to WAITOEN for there to be any delay between  $\overline{CS}$  active and  $\overline{OE}$  active. The maximum delay is limited to (WAITRD \* HCLK).



- [4] One HCLK cycle delay added when SYSCREG\_MPMC\_WAITREAD\_DELAYx register bit 5 = 1.
- [5] WAITRD must  $\geq$  WAITOEN for there to be any delay between  $\overline{\text{CS}}$  active and  $\overline{\text{BLS}}$  active. The maximum delay is limited to (WAITRD \* HCLK).
- [6] There is one less HCLK cycle when SYSCREG\_MPMC\_WAITREAD\_DELAYx bit 5 = 1.
- [7] The MPMC will ensure a minimum of one HCLK for this parameter.
- [8] This formula applies when WAITWR is  $\geq$  WAITWEN. One HCLK cycle minimum.
- [9] This formula applies when WAITWR is  $\geq$  WAITWEN.
- [10] This formula applies when WAITWR is  $\geq$  WAITWEN. Data valid minimum One HCLK cycle before  $\overline{\text{WE}}$  goes active.
- [11] This formula applies when WAITWR is  $\geq$  WAITWEN. Three HCLK cycles minimum.
- [12] Refer to the LPC3130/3131 *user manual* for the programming of WAITRD and HCLK.
- [13] Refer to the LPC3130/3131 *user manual* for the programming of WAITWEN and HCLK.
- [14] Refer to the LPC3130/3131 *user manual* for the programming of WAITWR and HCLK.

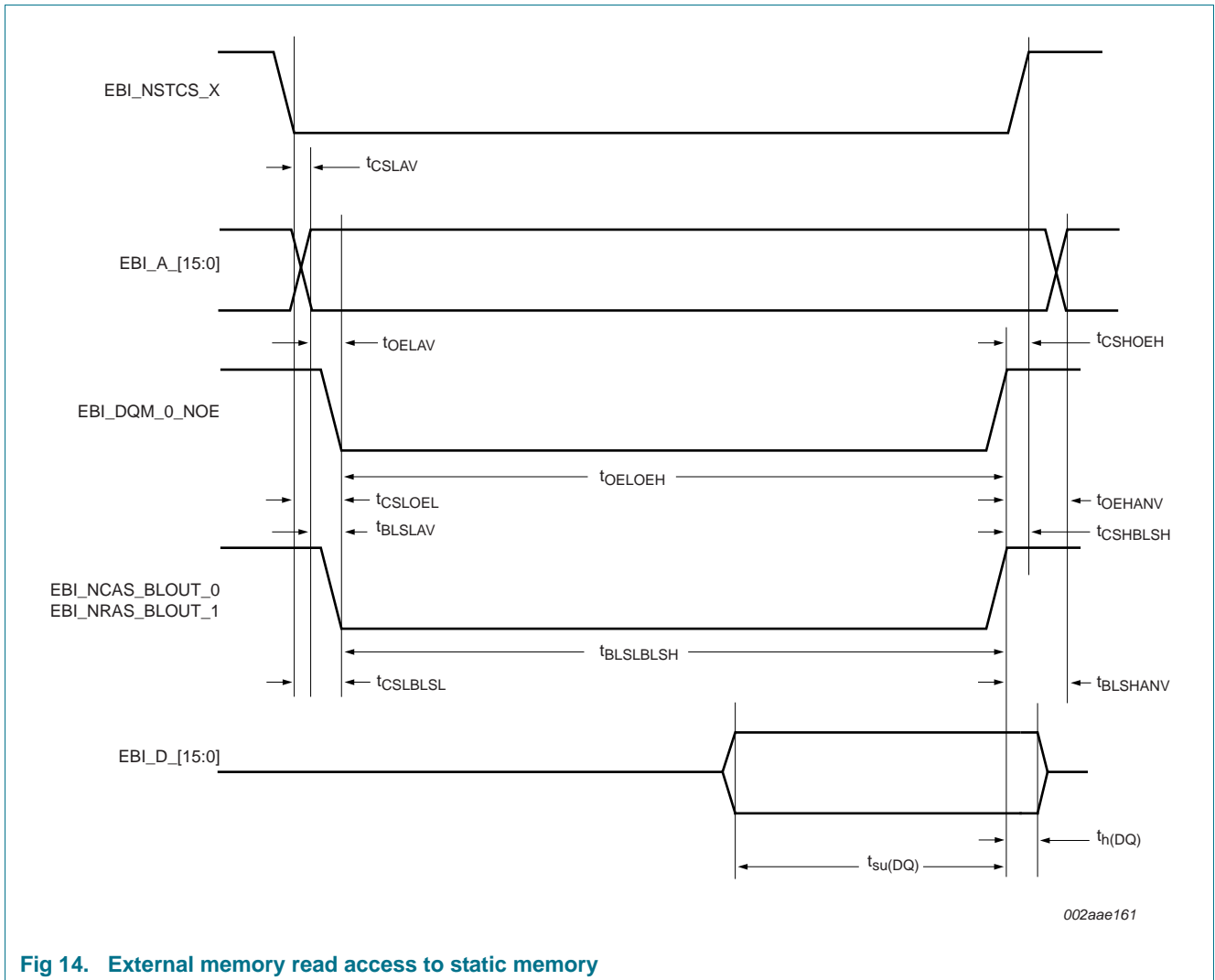


Fig 14. External memory read access to static memory

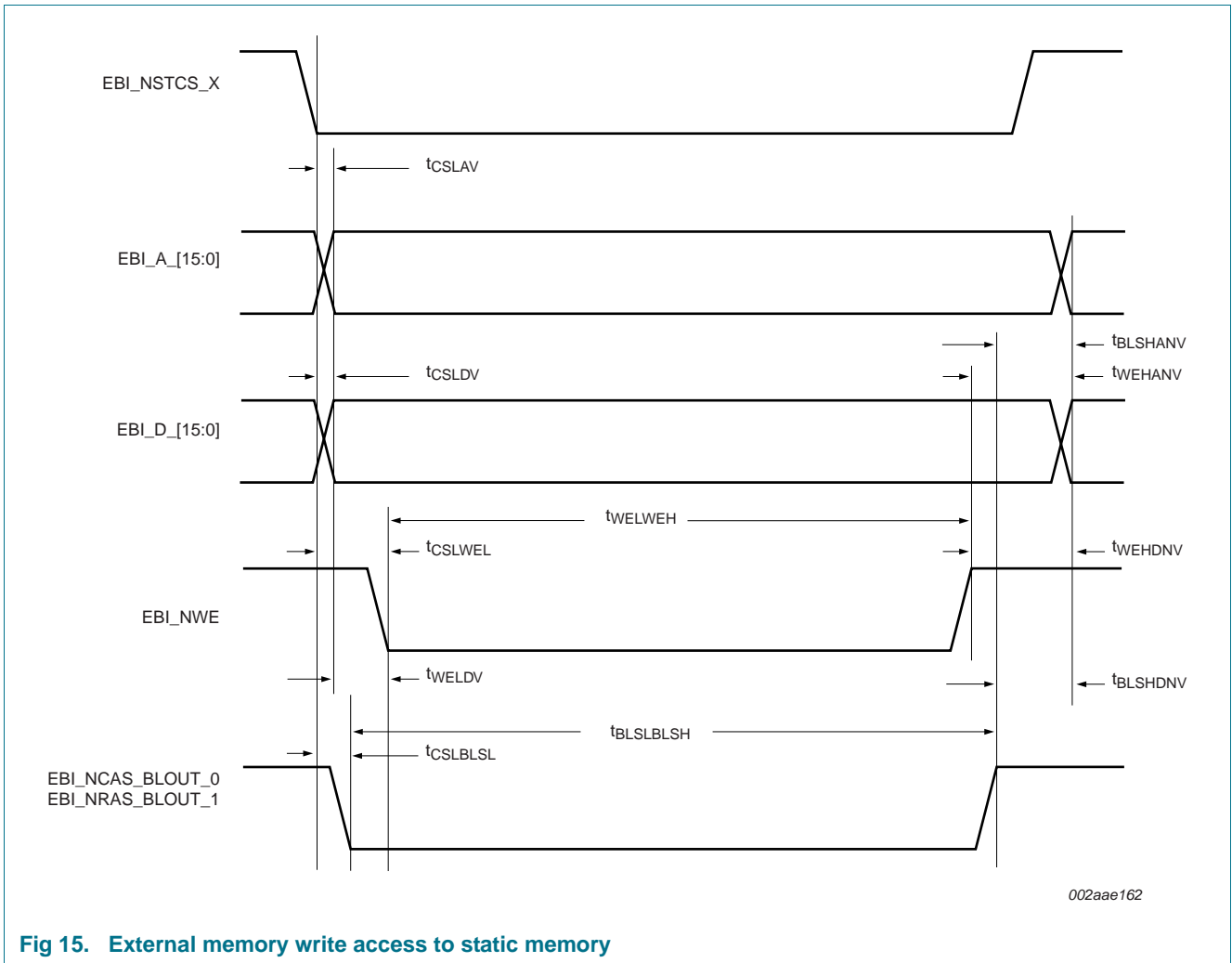


Fig 15. External memory write access to static memory

### 9.3 SDRAM controller

**Table 19. Dynamic characteristics of SDR SDRAM memory interface**
 $T_{amb} = -40\text{ }^{\circ}\text{C}$  to  $+85\text{ }^{\circ}\text{C}$ , unless otherwise specified;  $V_{DD(I/O)} = 1.8\text{ V}$  and  $3.3\text{ V}$  (SUP8).<sup>[1][2][3]</sup>

| Symbol      | Parameter                       | Conditions   | Min      | Typical | Max          | Unit |
|-------------|---------------------------------|--|----------|---------|--------------|------|
| $f_{oper}$  | operating frequency             |  | [4] -    | 80      | 90           | MHz  |
| $t_{CLCX}$  | clock LOW time                  |  | -        | 5.55    | -            | ns   |
| $t_{CHCX}$  | clock HIGH time                 |  | -        | 5.55    | -            | ns   |
| $t_{d(o)}$  | output delay time               | on pin EBI_CKE   | [5] -    | -       | 3.6          | ns   |
|             |                                 | on pins<br>EBI_NRAS_BLOUT,<br>EBI_NCAS_BLOUT,<br>EBI_NWE,<br>EBI_NDYCS | -        | -       | 3.6          | ns   |
|             |                                 | on pins EBI_DQM_1,<br>EBI_DQM_0_NOE                                    | -        | -       | 5            | ns   |
| $t_{h(o)}$  | output hold time                | on pin EBI_CKE   | [5] 0.13 | -       | 3.6          | ns   |
|             |                                 | on pins<br>EBI_NRAS_BLOUT,<br>EBI_NCAS_BLOUT,<br>EBI_NWE,<br>EBI_NDYCS | -0.1     | -       | 3.6          | ns   |
|             |                                 | on pins EBI_DQM_1,<br>EBI_DQM_0_NOE                                    | 1.7      | -       | 5            | ns   |
| $t_{d(AV)}$ | address valid delay time        |  | [5] -    | -       | 5            | ns   |
| $t_{h(A)}$  | address hold time               |  | [5] -0.1 | -       | 5            | ns   |
| $t_{d(QV)}$ | data output valid delay time    |  | [5] -    | -       | 9            | ns   |
| $t_{h(Q)}$  | data output hold time           |  | [5] 4    | -       | 10           | ns   |
| $t_{QZ}$    | data output high-impedance time |  | -        | -       | < $T_{CLCL}$ | ns   |

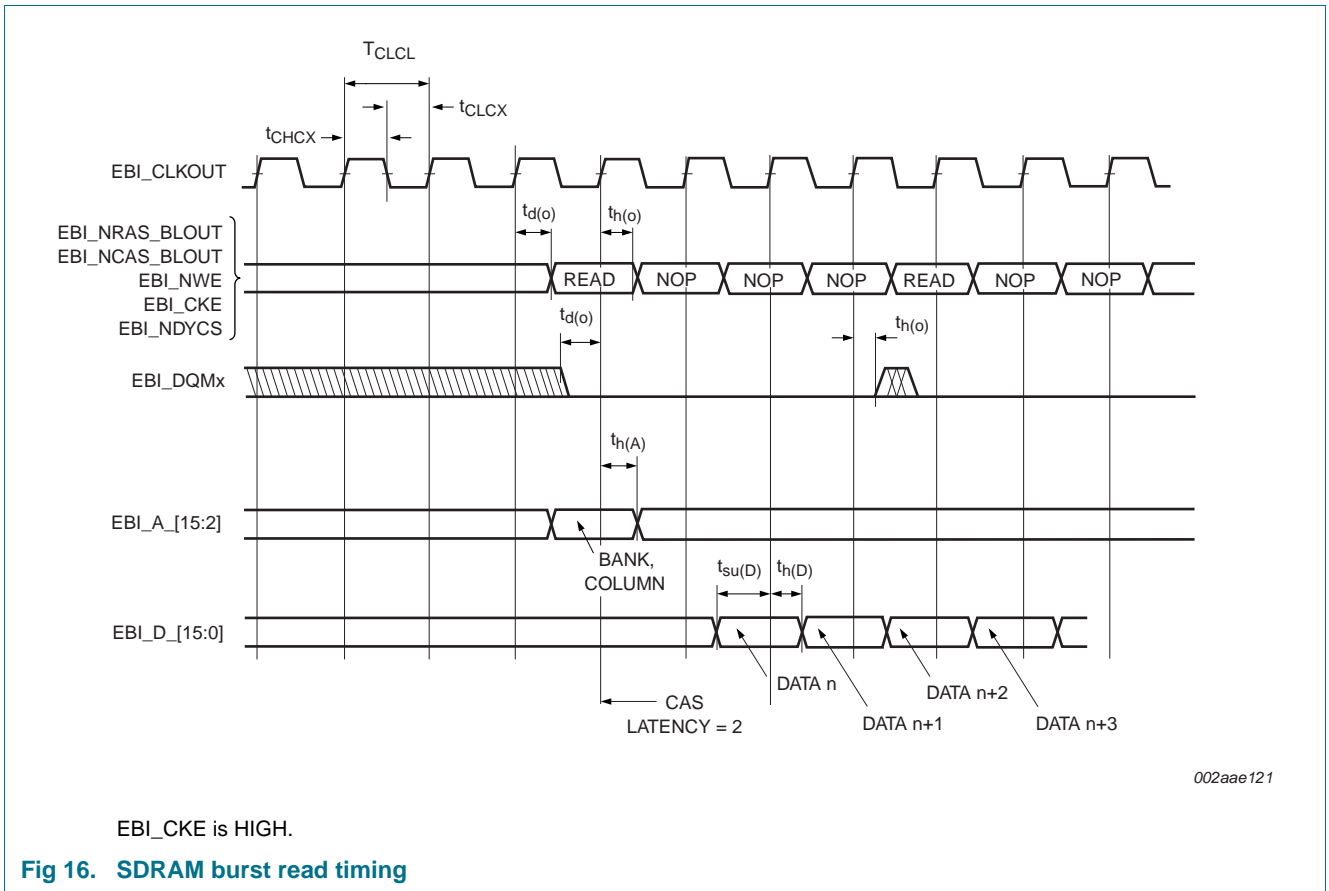
[1] Parameters are valid over operating temperature range unless otherwise specified.

[2] All values valid for pads set to high slew rate.  $VDDE_{IOA} = VDDE_{IOB} = 1.8 \pm 0.15\text{ V}$ .  $VDDI = 1.2 \pm 0.1\text{ V}$ .

[3] Refer to the LPC3130/3131 user manual for the programming of MPMCDynamicReadConfig and SYSCREG\_MPMP\_DELAYMODES registers.

[4]  $f_{oper} = 1 / T_{CLCL}$

[5]  $t_{d(o)}$ ,  $t_{h(o)}$ ,  $t_{d(AV)}$ ,  $t_{h(A)}$ ,  $t_{d(QV)}$ ,  $t_{h(Q)}$  times are dependent on MPMCDynamicReadConfig register value and SYSCREG\_MPMP\_DELAYMODES register bits 11:6.



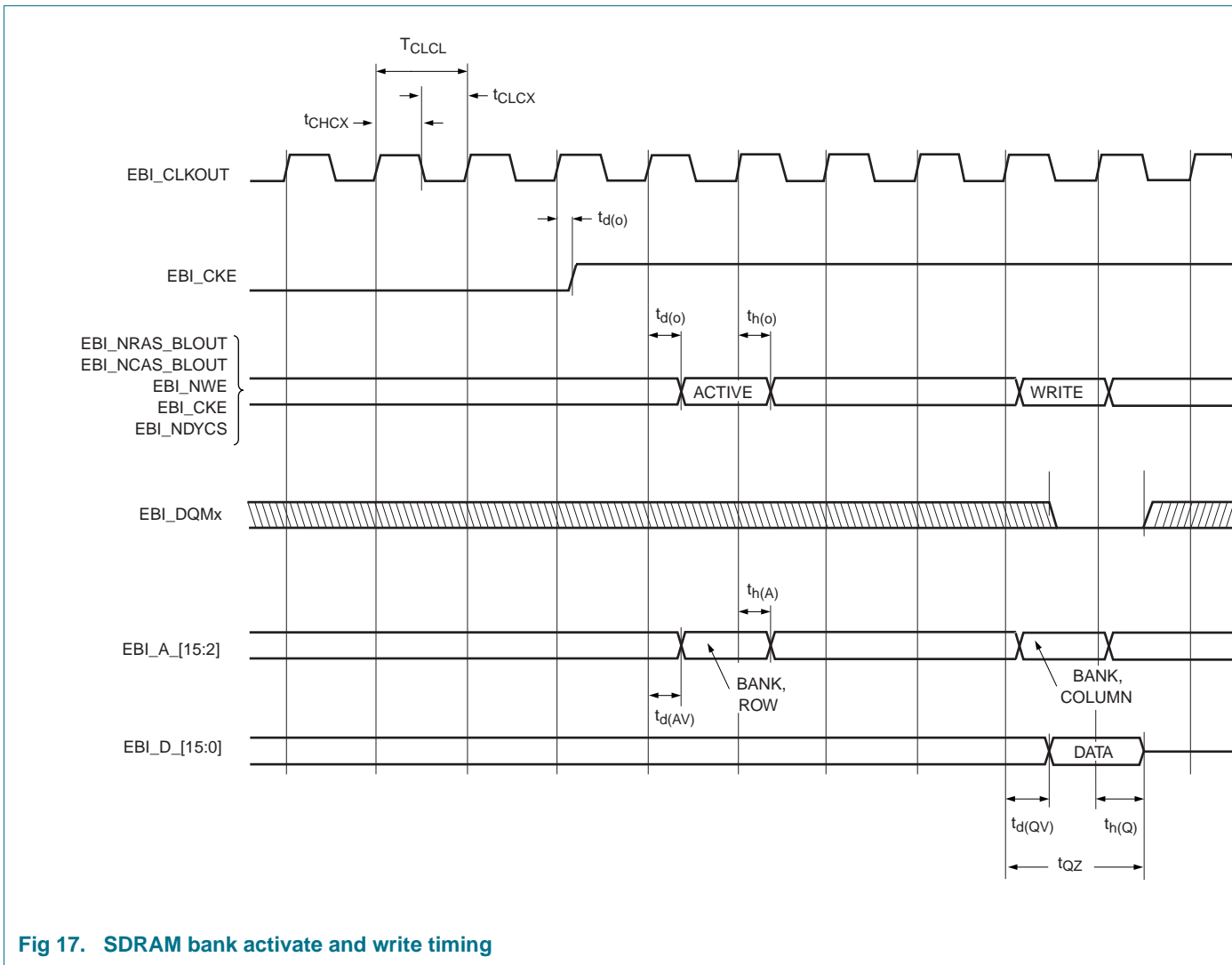


Fig 17. SDRAM bank activate and write timing

9.4 NAND flash memory controller

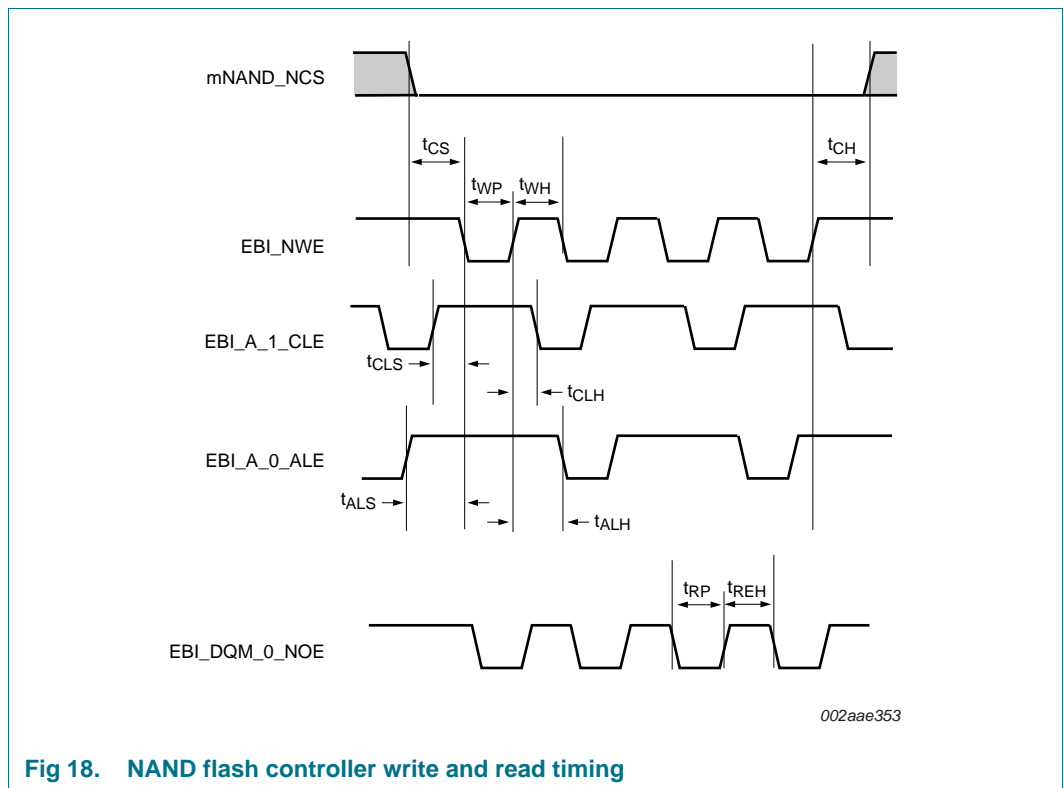
**Table 20. Dynamic characteristics of the NAND flash memory controller**  
*T<sub>amb</sub> = -40 °C to +85 °C, unless otherwise specified.*

| Symbol           | Parameter                      | Typical   | Unit |
|------------------|--------------------------------|---|------|
| t <sub>REH</sub> | $\overline{RE}$ HIGH hold time | [1][2][3] T <sub>HCLK</sub> × (T <sub>REH</sub> ) | ns   |
| t <sub>RP</sub>  | $\overline{RE}$ pulse width    | [1][2][3] T <sub>HCLK</sub> × (T <sub>RP</sub> )  | ns   |
| t <sub>WH</sub>  | $\overline{WE}$ HIGH hold time | [1][2][3] T <sub>HCLK</sub> × (T <sub>WH</sub> )  | ns   |
| t <sub>WP</sub>  | $\overline{WE}$ pulse width    | [1][2][3] T <sub>HCLK</sub> × (T <sub>WP</sub> )  | ns   |
| t <sub>CLS</sub> | CLE set-up time                | [1][2][3] T <sub>HCLK</sub> × (T <sub>CLS</sub> ) | ns   |
| t <sub>CLH</sub> | CLE hold time                  | [1][2][3] T <sub>HCLK</sub> × (T <sub>CLH</sub> ) | ns   |
| t <sub>ALS</sub> | ALE set-up time                | [1][2][3] T <sub>HCLK</sub> × (T <sub>ALS</sub> ) | ns   |
| t <sub>ALH</sub> | ALE hold time                  | [1][2][3] T <sub>HCLK</sub> × (T <sub>ALH</sub> ) | ns   |
| t <sub>CS</sub>  | $\overline{CE}$ set-up time    | [1][2][3] T <sub>HCLK</sub> × (T <sub>CS</sub> )  | ns   |
| t <sub>CH</sub>  | $\overline{CE}$ hold time      | [1][2][3] T <sub>HCLK</sub> × (T <sub>CH</sub> )  | ns   |

[1] T<sub>HCLK</sub> = 1/NANDFLASH\_NAND\_CLK, see LPC3130/3131 user manual.

[2] See registers NandTiming1 and NandTiming2 in the LPC3130/3131 user manual.

[3] Each timing parameter can be set from 7 nand\_clk clock cycles to 1 nand\_clk clock cycle. (A programmed zero value is treated as a one).



**Fig 18. NAND flash controller write and read timing**

### 9.5 Crystal oscillator

Table 21: Dynamic characteristics: crystal oscillator

| Symbol         | Parameter            | Conditions               | Min | Typ | Max  | Unit    |
|----------------|----------------------|--------------------------|-----|-----|------|---------|
| $f_{osc}$      | oscillator frequency |                          | 10  | 12  | 25   | MHz     |
| $\delta_{clk}$ | clock duty cycle     |                          | 45  | 50  | 55   | %       |
| $C_{xtal}$     | crystal capacitance  | input; on pin FFAST_IN   | -   | -   | 2    | pF      |
|                |                      | output; on pin FFAST_OUT | -   | -   | 0.74 | pF      |
| $t_{startup}$  | start-up time        |                          | -   | 500 | -    | $\mu$ s |
| $P_{drive}$    | drive power          |                          | 100 | -   | 500  | $\mu$ W |

### 9.6 SPI

Table 22. Dynamic characteristics of SPI pins

$T_{amb} = -40\text{ }^{\circ}\text{C}$  to  $+85\text{ }^{\circ}\text{C}$  for industrial applications

| Symbol            | Parameter                  | Min   | Typ | Max   | Unit |
|-------------------|----------------------------|-------|-----|-------|------|
| <b>SPI master</b> |                            |       |     |       |      |
| $T_{SPICYC}$      | SPI cycle time             | 22.2  | -   | -     | ns   |
| $t_{SPICLKH}$     | SPICLK HIGH time           | 11.09 | -   | 11.14 | ns   |
| $t_{SPICLKL}$     | SPICLK LOW time            | 11.09 | -   | 11.14 | ns   |
| $t_{SPIQV}$       | SPI data output valid time | -     | -   | 14    | ns   |
| $t_{SPIOH}$       | SPI output data hold time  | 9.9   | -   | -     | ns   |
| <b>SPI slave</b>  |                            |       |     |       |      |
| $t_{SPIOH}$       | SPI output data hold time  | 9.9   | -   | -     | ns   |

**Remark:** Note that the signal names SCK, MISO, and MOSI correspond to signals on pins SPI\_SCK, SPI\_MOSI, and SPI\_MISO in the following SPI timing diagrams.

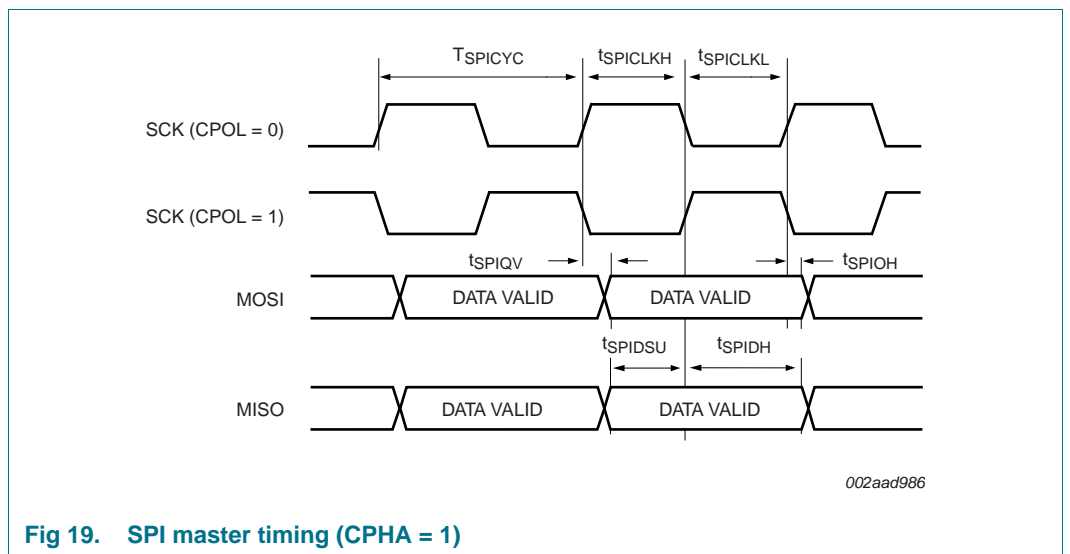


Fig 19. SPI master timing (CPHA = 1)

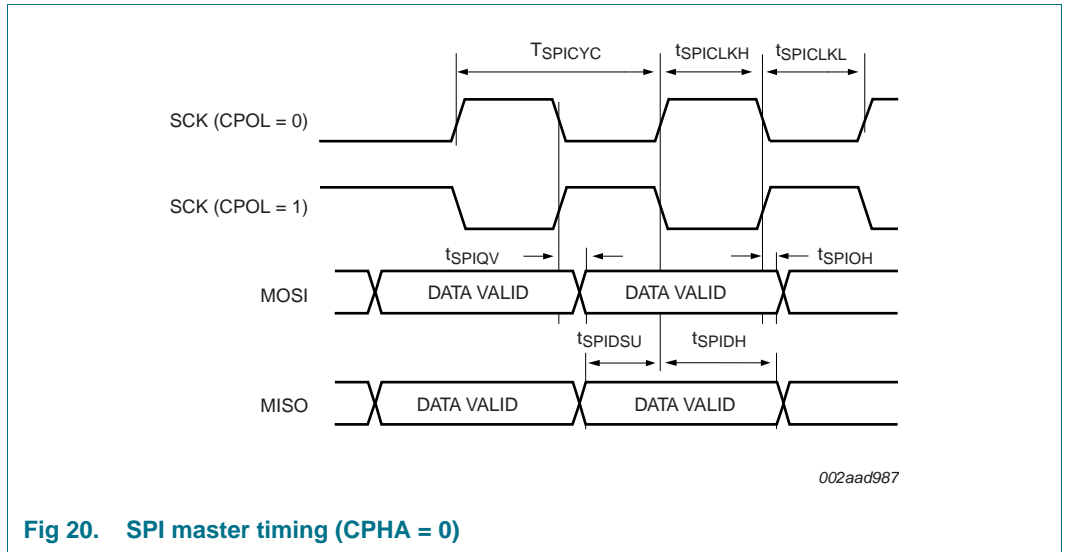


Fig 20. SPI master timing (CPHA = 0)

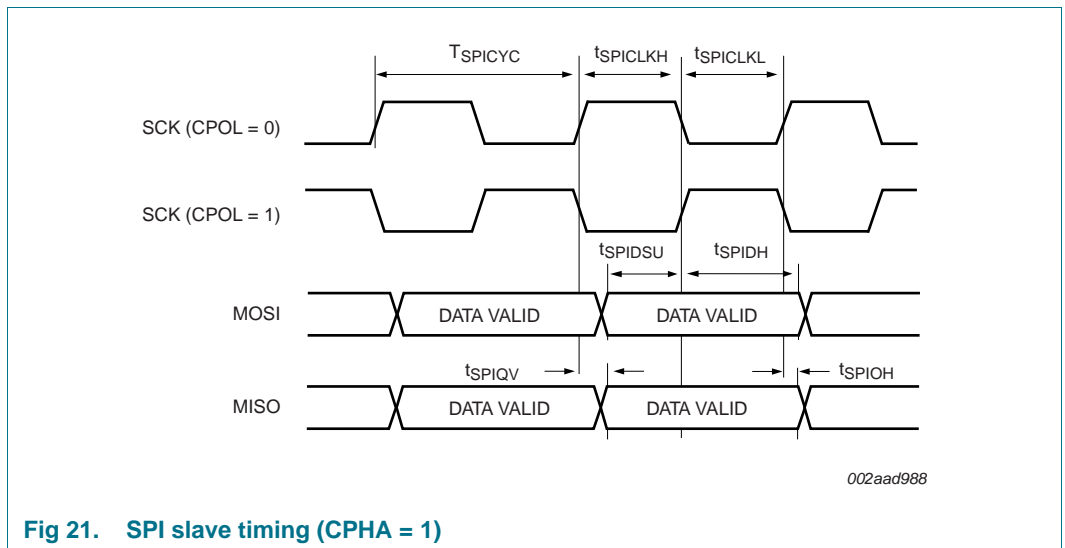


Fig 21. SPI slave timing (CPHA = 1)



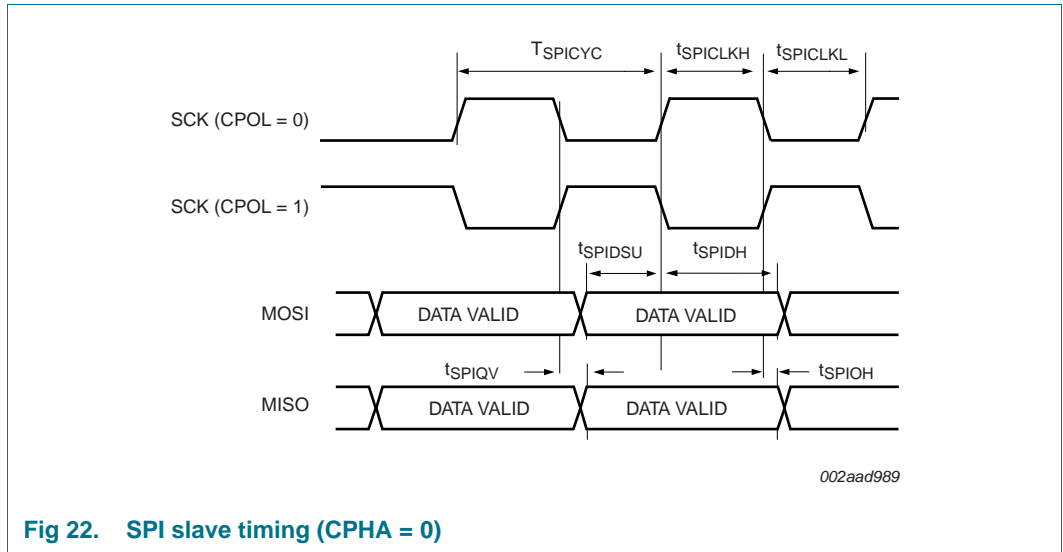


Fig 22. SPI slave timing (CPHA = 0)

9.6.1 Texas Instruments synchronous serial mode (SSI mode)

Table 23. Dynamic characteristic: SPI interface (SSI mode)

$T_{amb} = -40\text{ }^{\circ}\text{C}$  to  $+85\text{ }^{\circ}\text{C}$ ;  $V_{DD(I/O)}$  (SUP3) over specified ranges.<sup>[1]</sup>

| Symbol              | Parameter            | Conditions  | Min | Typ <sup>[2]</sup> | Max | Unit |
|---------------------|----------------------|---|-----|--------------------|-----|------|
| $t_{su}(SPI\_MISO)$ | SPI_MISO set-up time | $T_{amb} = 25\text{ }^{\circ}\text{C}$ ;<br>measured in<br>SPI Master<br>mode; see<br><a href="#">Figure 23</a> | -   | 11                 | -   | ns   |

- [1] Parameters are valid over operating temperature range unless otherwise specified.
- [2] Typical ratings are not guaranteed. The values listed are at room temperature (25 °C), nominal supply voltages.

**Remark:** Note that the signal names SCK, MISO, and MOSI correspond to signals on pins SPI\_SCK, SPI\_MOSI, and SPI\_MISO in the following SPI timing diagram.

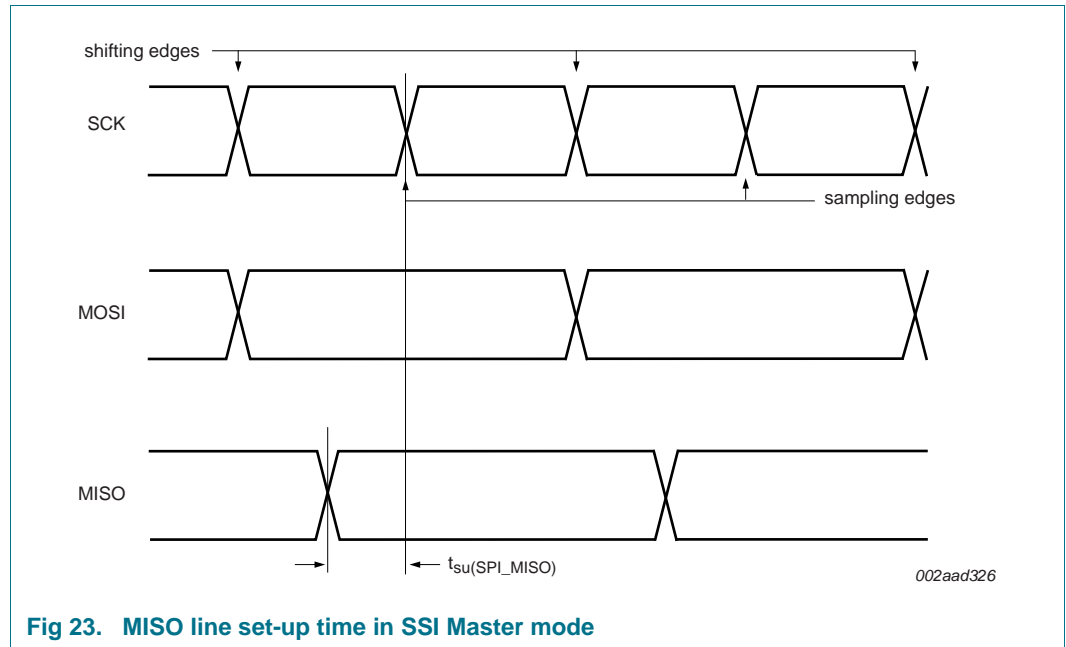


Fig 23. MISO line set-up time in SSI Master mode

9.7 10-bit ADC

Table 24: Dynamic characteristics: 10-bit ADC

| Symbol     | Parameter          | Conditions        | Min | Typ | Max  | Unit         |
|------------|--------------------|-------------------|-----|-----|------|--------------|
| $f_s$      | sampling frequency | 10 bit resolution | 400 | -   | -    | ksample/s    |
|            |                    | 2 bit resolution  | -   | -   | 1500 | ksample/s    |
| $t_{conv}$ | conversion time    | 10 bit resolution | -   | -   | 11   | clock cycles |
|            |                    | 2 bit resolution  | 3   | -   | -    | clock cycles |

## 10. Application information

Table 25. LCD panel connections

| TFBGA pin # | Pin name              | Reset function (default) | LCD mode               |          |          |         | Control function |  |
|-------------|-----------------------|--------------------------|------------------------|----------|----------|---------|------------------|--|
|             |                       |                          | Parallel               |          |          |         |                  |  |
|             |                       |                          | LCD panel data mapping |          |          | 6800    | 8000             |  |
|             |                       |                          | 16 bit                 | 8 bit    | 4 bit    |         |                  |  |
| K8          | mLCD_CSB/EBI_NSTCS_0  | LCD_CSB                  | -                      | -        | -        | LCD_CSB | LCD_CSB          |  |
| L8          | mLCD_E_RD/EBI_CKE     | LCD_E_RD                 | -                      | -        | -        | LCD_E   | LCD_E            |  |
| P8          | mLCD_RS/EBI_NDYCS     | LCD_RS                   | -                      | -        | -        | LCD_RS  | LCD_RS           |  |
| N9          | mLCD_RW_WR/EBI_DQM_1  | LCD_RW_WR                | -                      | -        | -        | LCD_RW  | LCD_RW           |  |
| N8          | mLCD_DB_0/EBI_CLKOUT  | LCD_DB_0                 | LCD_DB_0               | -        | -        | -       | -                |  |
| P9          | mLCD_DB_1/EBI_NSTCS_1 | LCD_DB_1                 | LCD_DB_1               | -        | -        | -       | -                |  |
| N6          | mLCD_DB_2/EBI_A_2     | LCD_DB_2                 | LCD_DB_2               | -        | -        | -       | -                |  |
| P6          | mLCD_DB_3/EBI_A_3     | LCD_DB_3                 | LCD_DB_3               | -        | -        | -       | -                |  |
| N7          | mLCD_DB_4/EBI_A_4     | LCD_DB_4                 | LCD_DB_4               | -        | -        | -       | -                |  |
| P7          | mLCD_DB_5/EBI_A_5     | LCD_DB_5                 | LCD_DB_5               | -        | -        | -       | -                |  |
| K6          | mLCD_DB_6/EBI_A_6     | LCD_DB_6                 | LCD_DB_6               | -        | -        | -       | -                |  |
| P5          | mLCD_DB_7/EBI_A_7     | LCD_DB_7                 | LCD_DB_7               | -        | -        | -       | -                |  |
| N5          | mLCD_DB_8/EBI_A_8     | LCD_DB_8                 | LCD_DB_8               | LCD_DB_0 | -        | -       | -                |  |
| L5          | mLCD_DB_9/EBI_A_9     | LCD_DB_9                 | LCD_DB_9               | LCD_DB_1 | -        | -       | -                |  |
| K7          | mLCD_DB_10/EBI_A_10   | LCD_DB_10                | LCD_DB_10              | LCD_DB_2 | -        | -       | -                |  |
| N4          | mLCD_DB_11/EBI_A_11   | LCD_DB_11                | LCD_DB_11              | LCD_DB_3 | -        | -       | -                |  |
| K5          | mLCD_DB_12/EBI_A_12   | LCD_DB_12                | LCD_DB_12              | LCD_DB_4 | LCD_DB_0 | -       | -                |  |
| P4          | mLCD_DB_13/EBI_A_13   | LCD_DB_13                | LCD_DB_13              | LCD_DB_5 | LCD_DB_1 | -       | -                |  |
| P3          | mLCD_DB_14/EBI_A_14   | LCD_DB_14                | LCD_DB_14              | LCD_DB_6 | LCD_DB_2 | -       | -                |  |
| N3          | mLCD_DB_15/EBI_A_15   | LCD_DB_15                | LCD_DB_15              | LCD_DB_7 | LCD_DB_3 | -       | -                |  |

All information provided in this document is subject to legal disclaimers.

© NXP B.V. 2012. All rights reserved.

## 11. Marking

Table 26. LPC3130/3131 Marking

| Line | Marking      | Description |
|------|--------------|-------------|
| A    | LPC3130/3131 | BASIC_TYPE  |

12. Package outline

TFBGA180: thin fine-pitch ball grid array package; 180 balls

SOT570-3

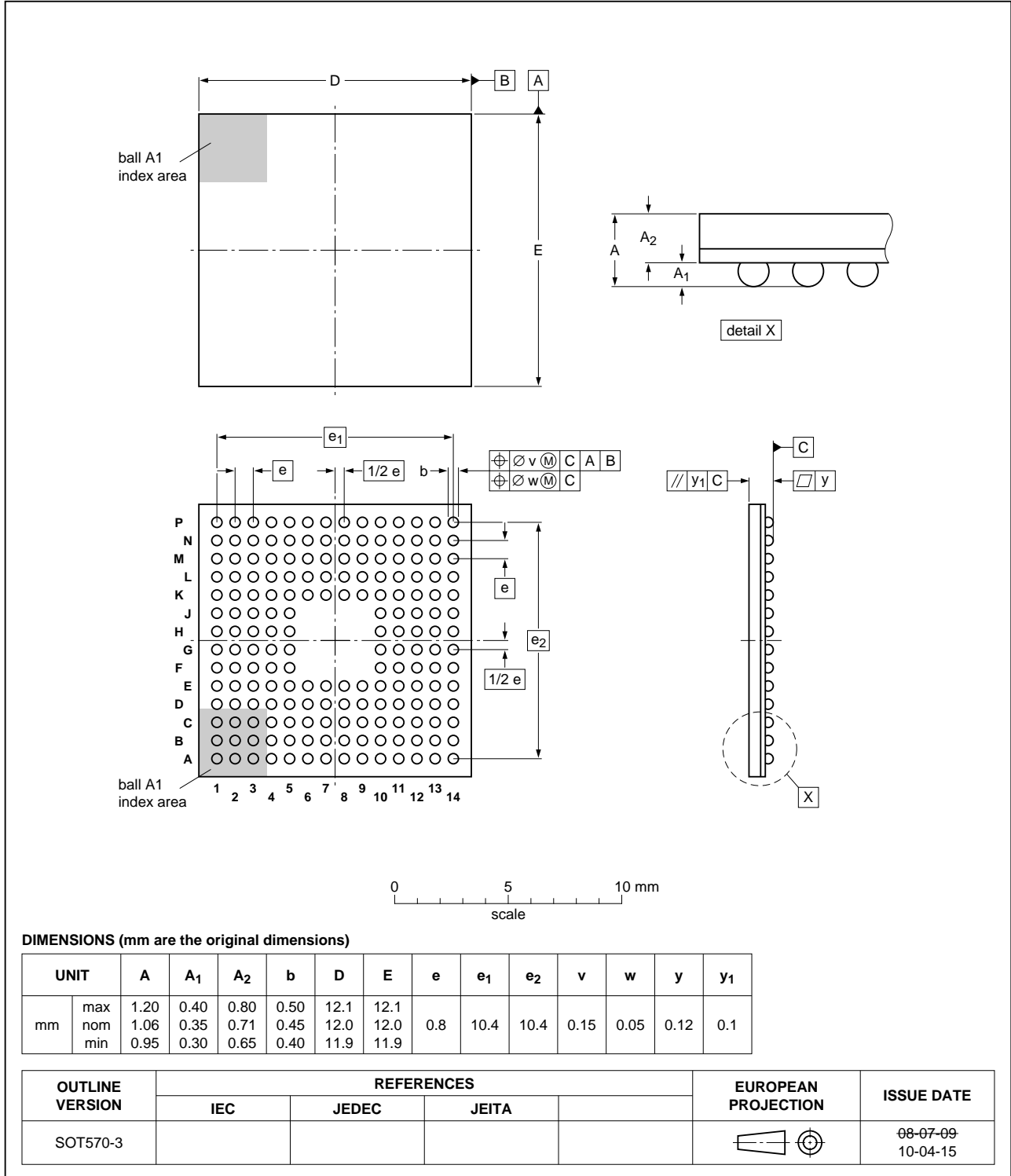


Fig 24. LPC3130/3131 TFBGA180 package outline

## 13. Abbreviations

Table 27. Abbreviations

| Acronym  | Description                               |
|----------|---|
| A/D      | Analog-to-Digital                         |
| ADC      | Analog-to-Digital Converter               |
| AHB      | Advanced High-performance Bus             |
| AMBA     | Advanced Microcontroller Bus Architecture |
| APB      | ARM Peripheral Bus                        |
| ATA      | Advanced Transport Architecture           |
| BIU      | Bus Interface Unit                        |
| CE       | Consumer Electronics                      |
| CGU      | Clock Generation Unit                     |
| CRC      | Cyclic Redundancy Check                   |
| DFU      | Device Firmware Upgrade                   |
| DMA      | Direct Memory Access                      |
| DRM      | Digital Rights Management                 |
| DSP      | Digital Signal Processing                 |
| EBI      | External Bus Interface                    |
| ECC      | Error Correction Code                     |
| EOP      | End Of Packet                             |
| ESD      | Electrostatic Discharge                   |
| FIFO     | First In, First Out                       |
| FPGA     | Field Programmable Gate Array             |
| GF       | Galois Field                              |
| INTC     | Interrupt Controller                      |
| IOCONFIG | Input Output Configuration                |
| IOM      | ISDN Oriented Modular                     |
| IrDA     | Infrared Data Association                 |
| IROM     | Internal ROM                              |
| ISRAM    | Internal Static RAM                       |
| ISROM    | Internal Static ROM                       |
| JTAG     | Joint Test Action Group                   |
| LSB      | Least Significant Bit                     |
| MCI      | Memory Card Interface                     |
| MCU      | MicroController Unit                      |
| MMC      | Multi-Media Card                          |
| MPMC     | Multi-Port Memory Controller              |
| OTG      | On-The-Go                                 |
| PCM      | Pulse Code Modulation                     |
| PHY      | Physical Layer                            |
| PLL      | Phase Locked Loop                         |
| PWM      | Pulse Width Modulation                    |

Table 27. Abbreviations ...continued

| Acronym | Description                                 |
|---------|---|
| RNG     | Random Number Generator                     |
| ROM     | Read-Only Memory                            |
| SD      | Secure Digital                              |
| SDHC    | Secure Digital High Capacity                |
| SDIO    | Secure Digital Input Output                 |
| SDR     | Single Data Rate                            |
| SE0     | Single Ended Zero                           |
| SIR     | Serial IrDA                                 |
| SPI     | Serial Peripheral Interface                 |
| SSI     | Serial Synchronous Interface                |
| SysCReg | System Control Registers                    |
| TAP     | Test Access Port                            |
| TDO     | Test Data Out                               |
| UART    | Universal Asynchronous Receiver Transmitter |
| USB     | Universal Serial Bus                        |
| UTMI    | USB 2.0 Transceiver Macrocell Interface     |
| WDT     | WatchDog Timer                              |

## 14. Revision history

Table 28: Revision history

| Document ID      | Release date   | Data sheet status      | Change notice | Supersedes       |
|------------------|--|------------------------|---------------|------------------|
| LPC3130_31 v.2   | 20120529   | Product data sheet     | -             | LPC3130_3131 v.1 |
| Modifications:   | <ul style="list-style-type: none"> <li>• Updated <a href="#">Table 18</a> table notes.</li> <li>• Updated <a href="#">Table 12</a> TBDs.</li> <li>• Reset state of JTAG pins and GPIO0, GPIO1, and GPIO2 pins updated in <a href="#">Table 4</a>.</li> <li>• Digital I/O level for pin CLOCK_OUT corrected in <a href="#">Table 4</a>.</li> <li>• USB-IF TestID numbers added in <a href="#">Section 6.10</a>.</li> <li>• Power consumption data updated in <a href="#">Table 14</a>.</li> <li>• USB Hi-speed logo added.</li> <li>• Increased <math>V_{DD(CORE)}</math> minimum value from 1.0 V to 1.1 V in <a href="#">Table 12</a>.</li> <li>• Changed supply voltage from 2.8 to 3.3, and 3.1 to 3.6 throughout.</li> <li>• Added Power consumption characteristics.</li> <li>• Changed pin VDDE_ESD (ball K11) to VDDE_IOC in <a href="#">Table 3</a> and <a href="#">Table 4</a>.</li> <li>• Updated CGU block diagram (<a href="#">Figure 6</a>).</li> <li>• Removed Sections 9.7, 9.8, and 9.9.</li> <li>• Removed TBDs from <a href="#">Table 12</a>, <a href="#">Table 13</a>, <a href="#">Table 15</a>, <a href="#">Table 16</a>, <a href="#">Table 17</a>, <a href="#">Table 22</a>.</li> <li>• Removed Fig. 11.</li> </ul> |                        |               |                  |
| LPC3130_3131 v.1 | 20090209   | Preliminary data sheet | -             | -                |



## 15. Legal information

### 15.1 Data sheet status

| Document status <sup>[1][2]</sup> | Product status <sup>[3]</sup> | Definition  |
|-----------------------------------|-------------------------------|---|
| Objective [short] data sheet      | Development                   | This document contains data from the objective specification for product development. |
| Preliminary [short] data sheet    | Qualification                 | This document contains data from the preliminary specification.                       |
| Product [short] data sheet        | Production                    | This document contains the product specification.                                     |

[1] Please consult the most recently issued document before initiating or completing a design.

[2] The term 'short data sheet' is explained in section "Definitions".

[3] The product status of device(s) described in this document may have changed since this document was published and may differ in case of multiple devices. The latest product status information is available on the Internet at URL <http://www.nxp.com>.

### 15.2 Definitions

**Draft** — The document is a draft version only. The content is still under internal review and subject to formal approval, which may result in modifications or additions. NXP Semiconductors does not give any representations or warranties as to the accuracy or completeness of information included herein and shall have no liability for the consequences of use of such information.

**Short data sheet** — A short data sheet is an extract from a full data sheet with the same product type number(s) and title. A short data sheet is intended for quick reference only and should not be relied upon to contain detailed and full information. For detailed and full information see the relevant full data sheet, which is available on request via the local NXP Semiconductors sales office. In case of any inconsistency or conflict with the short data sheet, the full data sheet shall prevail.

**Product specification** — The information and data provided in a Product data sheet shall define the specification of the product as agreed between NXP Semiconductors and its customer, unless NXP Semiconductors and customer have explicitly agreed otherwise in writing. In no event however, shall an agreement be valid in which the NXP Semiconductors product is deemed to offer functions and qualities beyond those described in the Product data sheet.

### 15.3 Disclaimers

**Limited warranty and liability** — Information in this document is believed to be accurate and reliable. However, NXP Semiconductors does not give any representations or warranties, expressed or implied, as to the accuracy or completeness of such information and shall have no liability for the consequences of use of such information. NXP Semiconductors takes no responsibility for the content in this document if provided by an information source outside of NXP Semiconductors.

In no event shall NXP Semiconductors be liable for any indirect, incidental, punitive, special or consequential damages (including - without limitation - lost profits, lost savings, business interruption, costs related to the removal or replacement of any products or rework charges) whether or not such damages are based on tort (including negligence), warranty, breach of contract or any other legal theory.

Notwithstanding any damages that customer might incur for any reason whatsoever, NXP Semiconductors' aggregate and cumulative liability towards customer for the products described herein shall be limited in accordance with the *Terms and conditions of commercial sale* of NXP Semiconductors.

**Right to make changes** — NXP Semiconductors reserves the right to make changes to information published in this document, including without limitation specifications and product descriptions, at any time and without notice. This document supersedes and replaces all information supplied prior to the publication hereof.

**Suitability for use** — NXP Semiconductors products are not designed, authorized or warranted to be suitable for use in life support, life-critical or safety-critical systems or equipment, nor in applications where failure or malfunction of an NXP Semiconductors product can reasonably be expected to result in personal injury, death or severe property or environmental damage. NXP Semiconductors and its suppliers accept no liability for inclusion and/or use of NXP Semiconductors products in such equipment or applications and therefore such inclusion and/or use is at the customer's own risk.

**Applications** — Applications that are described herein for any of these products are for illustrative purposes only. NXP Semiconductors makes no representation or warranty that such applications will be suitable for the specified use without further testing or modification.

Customers are responsible for the design and operation of their applications and products using NXP Semiconductors products, and NXP Semiconductors accepts no liability for any assistance with applications or customer product design. It is customer's sole responsibility to determine whether the NXP Semiconductors product is suitable and fit for the customer's applications and products planned, as well as for the planned application and use of customer's third party customer(s). Customers should provide appropriate design and operating safeguards to minimize the risks associated with their applications and products.

NXP Semiconductors does not accept any liability related to any default, damage, costs or problem which is based on any weakness or default in the customer's applications or products, or the application or use by customer's third party customer(s). Customer is responsible for doing all necessary testing for the customer's applications and products using NXP Semiconductors products in order to avoid a default of the applications and the products or of the application or use by customer's third party customer(s). NXP does not accept any liability in this respect.

**Limiting values** — Stress above one or more limiting values (as defined in the Absolute Maximum Ratings System of IEC 60134) will cause permanent damage to the device. Limiting values are stress ratings only and (proper) operation of the device at these or any other conditions above those given in the Recommended operating conditions section (if present) or the Characteristics sections of this document is not warranted. Constant or repeated exposure to limiting values will permanently and irreversibly affect the quality and reliability of the device.

**Terms and conditions of commercial sale** — NXP Semiconductors products are sold subject to the general terms and conditions of commercial sale, as published at <http://www.nxp.com/profile/terms>, unless otherwise agreed in a valid written individual agreement. In case an individual agreement is concluded only the terms and conditions of the respective agreement shall apply. NXP Semiconductors hereby expressly objects to applying the customer's general terms and conditions with regard to the purchase of NXP Semiconductors products by customer.

**No offer to sell or license** — Nothing in this document may be interpreted or construed as an offer to sell products that is open for acceptance or the grant, conveyance or implication of any license under any copyrights, patents or other industrial or intellectual property rights.

**Export control** — This document as well as the item(s) described herein may be subject to export control regulations. Export might require a prior authorization from competent authorities.

**Quick reference data** — The Quick reference data is an extract of the product data given in the Limiting values and Characteristics sections of this document, and as such is not complete, exhaustive or legally binding.

**Non-automotive qualified products** — Unless this data sheet expressly states that this specific NXP Semiconductors product is automotive qualified, the product is not suitable for automotive use. It is neither qualified nor tested in accordance with automotive testing or application requirements. NXP Semiconductors accepts no liability for inclusion and/or use of non-automotive qualified products in automotive equipment or applications.

In the event that customer uses the product for design-in and use in automotive applications to automotive specifications and standards, customer (a) shall use the product without NXP Semiconductors' warranty of the

product for such automotive applications, use and specifications, and (b) whenever customer uses the product for automotive applications beyond NXP Semiconductors' specifications such use shall be solely at customer's own risk, and (c) customer fully indemnifies NXP Semiconductors for any liability, damages or failed product claims resulting from customer design and use of the product for automotive applications beyond NXP Semiconductors' standard warranty and NXP Semiconductors' product specifications.

## 15.4 Trademarks

Notice: All referenced brands, product names, service names and trademarks are the property of their respective owners.

**I<sup>2</sup>C-bus** — logo is a trademark of NXP B.V.

## 16. Contact information

For more information, please visit: <http://www.nxp.com>

For sales office addresses, please send an email to: [salesaddresses@nxp.com](mailto:salesaddresses@nxp.com)

17. Contents

|          |   |           |           |  |           |
|----------|---|-----------|-----------|--|-----------|
| <b>1</b> | <b>General description</b> . . . . .                          | <b>1</b>  | 8.1       | Power consumption . . . . .                                    | 42        |
| <b>2</b> | <b>Features and benefits</b> . . . . .                        | <b>1</b>  | <b>9</b>  | <b>Dynamic characteristics</b> . . . . .                       | <b>45</b> |
| 2.1      | Key features . . . . .  | 1         | 9.1       | LCD controller . . . . .                                       | 45        |
| <b>3</b> | <b>Ordering information</b> . . . . .                         | <b>2</b>  | 9.1.1     | Intel 8080 mode . . . . .                                      | 45        |
| <b>4</b> | <b>Block diagram</b> . . . . .                                | <b>3</b>  | 9.1.2     | Motorola 6800 mode . . . . .                                   | 46        |
| <b>5</b> | <b>Pinning information</b> . . . . .                          | <b>4</b>  | 9.1.3     | Serial mode . . . . .  | 47        |
| 5.1      | Pinning . . . . .   | 4         | 9.2       | SRAM controller . . . . .                                      | 48        |
| <b>6</b> | <b>Functional description</b> . . . . .                       | <b>13</b> | 9.3       | SDRAM controller . . . . .                                     | 51        |
| 6.1      | ARM926EJ-S . . . . .  | 13        | 9.4       | NAND flash memory controller . . . . .                         | 54        |
| 6.2      | Memory map . . . . .  | 14        | 9.5       | Crystal oscillator . . . . .                                   | 55        |
| 6.3      | JTAG . . . . .  | 15        | 9.6       | SPI . . . . .  | 55        |
| 6.4      | NAND flash controller . . . . .                               | 15        | 9.6.1     | Texas Instruments synchronous serial mode (SSI mode) . . . . . | 58        |
| 6.5      | Multi-Port Memory Controller (MPMC) . . . . .                 | 16        | 9.7       | 10-bit ADC . . . . .   | 58        |
| 6.6      | External Bus Interface (EBI) . . . . .                        | 17        | <b>10</b> | <b>Application information</b> . . . . .                       | <b>59</b> |
| 6.7      | Internal ROM Memory . . . . .                                 | 17        | <b>11</b> | <b>Marking</b> . . . . .                                       | <b>60</b> |
| 6.8      | Internal RAM memory . . . . .                                 | 18        | <b>12</b> | <b>Package outline</b> . . . . .                               | <b>61</b> |
| 6.9      | Memory Card Interface (MCI) . . . . .                         | 18        | <b>13</b> | <b>Abbreviations</b> . . . . .                                 | <b>62</b> |
| 6.10     | High-speed Universal Serial Bus 2.0 On-The-Go (OTG) . . . . . | 19        | <b>14</b> | <b>Revision history</b> . . . . .                              | <b>64</b> |
| 6.11     | DMA controller . . . . .                                      | 19        | <b>15</b> | <b>Legal information</b> . . . . .                             | <b>65</b> |
| 6.12     | Interrupt controller (INTC) . . . . .                         | 20        | 15.1      | Data sheet status . . . . .                                    | 65        |
| 6.13     | Multi-layer AHB . . . . .                                     | 21        | 15.2      | Definitions . . . . .  | 65        |
| 6.14     | APB bridge . . . . .  | 23        | 15.3      | Disclaimers . . . . .  | 65        |
| 6.15     | Clock Generation Unit (CGU) . . . . .                         | 23        | 15.4      | Trademarks . . . . .   | 66        |
| 6.16     | Watchdog Timer (WDT) . . . . .                                | 25        | <b>16</b> | <b>Contact information</b> . . . . .                           | <b>66</b> |
| 6.17     | Input/Output configuration module (IOCONFIG) . . . . .        | 26        | <b>17</b> | <b>Contents</b> . . . . .                                      | <b>67</b> |
| 6.18     | 10-bit Analog-to-Digital Converter (ADC10B) . . . . .         | 26        |           |  |           |
| 6.19     | Event router . . . . .  | 27        |           |  |           |
| 6.20     | Random number generator . . . . .                             | 28        |           |  |           |
| 6.21     | Serial Peripheral Interface (SPI) . . . . .                   | 28        |           |  |           |
| 6.22     | Universal Asynchronous Receiver Transmitter (UART) . . . . .  | 28        |           |  |           |
| 6.23     | Pulse Code Modulation (PCM) interface . . . . .               | 29        |           |  |           |
| 6.24     | LCD interface . . . . .                                       | 29        |           |  |           |
| 6.25     | I <sup>2</sup> C-bus master/slave interface . . . . .         | 30        |           |  |           |
| 6.26     | LCD/NAND flash/SDRAM multiplexing . . . . .                   | 30        |           |  |           |
| 6.26.1   | Pin connections . . . . .                                     | 31        |           |  |           |
| 6.26.2   | Multiplexing between LCD and MPMC . . . . .                   | 33        |           |  |           |
| 6.26.3   | Supply domains . . . . .                                      | 34        |           |  |           |
| 6.27     | Timer module . . . . .  | 34        |           |  |           |
| 6.28     | Pulse Width Modulation (PWM) module . . . . .                 | 34        |           |  |           |
| 6.29     | System control registers . . . . .                            | 35        |           |  |           |
| 6.30     | I2S0/1 interfaces . . . . .                                   | 35        |           |  |           |
| <b>7</b> | <b>Limiting values</b> . . . . .                              | <b>36</b> |           |  |           |
| <b>8</b> | <b>Static characteristics</b> . . . . .                       | <b>37</b> |           |  |           |

Please be aware that important notices concerning this document and the product(s) described herein, have been included in section 'Legal information'.

© NXP B.V. 2012. All rights reserved.

For more information, please visit: <http://www.nxp.com>  
 For sales office addresses, please send an email to: [salesaddresses@nxp.com](mailto:salesaddresses@nxp.com)

Date of release: 29 May 2012  
 Document identifier: LPC3130\_3131

## X-ON Electronics

Largest Supplier of Electrical and Electronic Components

*Click to view similar products for [ARM Microcontrollers - MCU category](#):*

*Click to view products by [NXP manufacturer](#):*

Other Similar products are found below :

[R7FS3A77C2A01CLK#AC1](#) [CP8363AT](#) [MB96F119RBPMC-GSE1](#) [MB9BF122LPMC1-G-JNE2](#) [MB9BF122LPMC-G-JNE2](#)

[MB9BF128SAPMC-GE2](#) [MB9BF218TBGL-GE1](#) [MB9BF529TBGL-GE1](#) [26-21/R6C-AT1V2B/CT](#) [5962-8506403MQA](#)

[MB9AF342MAPMC-G-JNE2](#) [MB96F001YBPMC1-GSE1](#) [MB9BF121KPMC-G-JNE2](#) [VA10800-D000003PCA](#) [CP8547AT](#)

[CY9AF156NPMC-G-JNE2](#) [MB9BF104NAPMC-G-JNE1](#) [CY8C4724FNI-S402T](#) [ADUCM410BCBZ-RL7](#) [GD32f303RGT6](#)

[NHS3152UK/A1Z](#) [MK26FN2M0CAC18R](#) [EFM32TG230F32-D-QFN64](#) [EFM32TG232F32-D-QFP64](#) [EFM32TG825F32-D-BGA48](#)

[MB9AFB44NBBGL-GE1](#) [MB9BF304RBPMC-G-JNE2](#) [MB9BF416RPMC-G-JNE2](#) [MB9AF155MABGL-GE1](#) [MB9BF306RBPMC-G-JNE2](#)

[MB9BF618TBGL-GE1](#) [ATSAMS70N21A-CN](#) [MK20DX64VFT5](#) [MK50DX128CMC7](#) [MK51DN256CMD10](#) [MK51DX128CMC7](#)

[MK53DX256CMD10](#) [MKL25Z32VFT4](#) [LPC1754FBD80](#) [STM32F030K6T6TR](#) [STM32L073VBT6](#) [LPC11U24FET48301](#), [AT91M42800A-](#)

[33AU](#) [AT91SAM7L64-CU](#) [ATSAM3N0AA-MU](#) [ATSAM3N0CA-CU](#) [ATSAM3SD8BA-MU](#) [ATSAM4LC2BA-UUR](#) [ATSAM4LC4BA-MU](#)

[ATSAM4LS2AA-MU](#)