



LPC55S0x/LPC550x

32-bit Arm Cortex®-M33, TrustZone, PRINCE, CASPER, 96 KB SRAM; 256 KB flash, Flexcomm Interface, CAN FD, 32-bit counter/ timers, SCTimer/PWM, PLU, 16-bit 2.0 Msamples/sec ADC, Comparator, Temperature Sensor, AES, PUF, SHA, CRC, RNG

Rev. 1.4 — 14 April 2023

Product data sheet

1. General description

The LPC55S0x/LPC550x is an ARM Cortex-M33 based microcontroller for embedded applications. These devices include CASPER Crypto engine, up to 256 KB on-chip flash, up to 96 KB of on-chip SRAM, PRINCE module for on-the-fly flash encryption/decryption, Code Watchdog, CAN FD, five general-purpose timers, one SCTimer/PWM, one RTC/alarm timer, one 24-bit Multi-Rate Timer (MRT), a Windowed Watchdog Timer (WWDT), nine flexible serial communication peripherals (which can be configured as a USART, SPI, high speed SPI, I²C, or I²S interface), Programmable Logic Unit (PLU), one 16-bit 2.0 Msamples/sec ADC capable of simultaneous conversions, comparator, and temperature sensor.

The ARM Cortex-M33 provides a security foundation, offering isolation to protect valuable IP and data with TrustZone® technology. It simplifies the design and software development of digital signal control systems with the integrated digital signal processing (DSP) instructions. To support security requirements, the LPC55S0x/LPC550x also offers support for secure boot, HASH, AES, RSA, UUID, DICE, dynamic encrypt and decrypt, debug authentication, and TBSA compliance.

2. Features and benefits

- ARM Cortex-M33 core (r0p4):
 - ◆ Running at a frequency of up to 96 MHz.
 - ◆ Integrated digital signal processing (DSP) instructions.
 - ◆ TrustZone®, Floating Point Unit (FPU) and Memory Protection Unit (MPU).
 - ◆ ARM Cortex M33 built-in Nested Vectored Interrupt Controller (NVIC).
 - ◆ Non-maskable Interrupt (NMI) input with a selection of sources.
 - ◆ Serial Wire Debug with eight breakpoints and four watch points. Includes Serial Wire Output for enhanced debug capabilities.
 - ◆ System tick timer.
- CASPER Crypto co-processor is provided to enable hardware acceleration for various functions required for certain asymmetric cryptographic algorithms, such as, Elliptic Curve Cryptography (ECC).



- On-chip memory:
 - ◆ Up to 256 KB on-chip flash program memory with flash accelerator and 512 byte page erase and write.
 - ◆ Up to 96 KB total SRAM consisting of 16 KB SRAM on Code Bus, 64 KB SRAM on System Bus (64 KB is contiguous), and additional 16 KB SRAM on System Bus.
- PRINCE module for real-time encryption of data being written to on-chip flash and decryption of encrypted flash data during read to allow asset protection, such as securing application code, and enabling secure flash update.
- On-chip ROM bootloader supports:
 - ◆ Booting of images from on-chip flash
 - ◆ Supports CRC32 image integrity checking.
 - ◆ Supports flash programming through In System Programming (ISP) commands over following interfaces: UART interface (Flexcomm 0) with auto baud, SPI slave interfaces (Flexcomm 3 or 8) using mode 3 (CPOL = 1 and CPHA = 1), and I2C slave interface (Flexcomm 1)
 - ◆ ROM API functions: Flash programming API, Power control API, and Secure firmware update API using NXP Secure Boot file format, version 2.0 (SB2 files).
 - ◆ Supports booting of images from PRINCE encrypted flash regions.
 - ◆ Support NXP Debug Authentication Protocol version 1.0 (RSA-2048) and 1.1 (RSA-4096).
 - ◆ Supports setting a sealed part to Fault Analysis mode through Debug authentication.
- Secure Boot support:
 - ◆ Uses RSASSA-PKCS1-v1_5 signature of SHA256 digest as cryptographic signature verification.
 - ◆ Supports RSA-2048 bit public keys (2048 bit modulus, 32-bit exponent).
 - ◆ Supports RSA-4096 bit public keys (4096 bit modulus, 32-bit exponent).
 - ◆ Uses x509 certificate format to validate image public keys.
 - ◆ Supports up to four revocable Root of Trust (RoT) or Certificate Authority keys, Root of Trust establishment by storing the SHA-256 hash digest of the hashes of four RoT public keys in protected flash region (PFR).
 - ◆ Supports anti-rollback feature using image key revocation and supports up to 16 Image key certificates revocations using Serial Number field in x509 certificate.
 - ◆ Supports Device Identifier Composition Engine (DICE) Specification (version Family 2.0, Level 00 Revision 69) specified by Trusted Computing Group.
- Serial interfaces:
 - ◆ Flexcomm Interface contains up to nine serial peripherals (Flexcomm Interface 0-7 and Flexcomm Interface 8). Each Flexcomm Interface (except flexcomm 8, which is dedicated for high-speed SPI) can be selected by software to be a USART, SPI, I²C, and I²S interface. Each Flexcomm Interface includes a FIFO that supports USART, SPI, and I²S. A variety of clocking options are available to each Flexcomm Interface, including a shared fractional baud-rate generator, and time-out feature. Flexcomm interfaces 0 to 5 each provide one channel pair of I²S and Flexcomm interfaces 6 to 7 each provide four channel pairs of I²S.
 - ◆ I²C-bus interfaces support Fast-mode and Fast-mode Plus with data rates of up to 1Mbit/s and with multiple address recognition and monitor mode. Two sets of true I²C pads also support high-speed Mode (3.4 Mbit/s) as a slave.
- Digital peripherals:

- ◆ DMA0 controller with 23 channels and up to 22 programmable triggers, able to access all memories and DMA-capable peripherals.
- ◆ DMA1 controller with 10 channels and up to 15 programmable triggers, able to access all memories and DMA-capable peripherals.
- ◆ CAN FD module with dedicated DMA controller
- ◆ CRC engine block can calculate a CRC on supplied data using one of three standard polynomials with DMA support.
- ◆ Up to 45 General-Purpose Input/Output (GPIO) pins.
- ◆ GPIO registers are located on the AHB for fast access. The DMA supports GPIO ports.
- ◆ Up to eight GPIOs can be selected as pin interrupts (PINT), triggered by rising, falling or both input edges.
- ◆ Two GPIO grouped interrupts (GINT) enable an interrupt based on a logical (AND/OR) combination of input states.
- ◆ I/O pin configuration with support for up to 16 function options.
- ◆ Programmable Logic Unit (PLU) to create small combinatorial and/or sequential logic networks including state machines.
- Security Features:
 - ◆ ARM TrustZone® enabled.
 - ◆ AES-256 encryption/decryption engine with keys fed directly from PUF or a software supplied key
 - ◆ Secure Hash Algorithm (SHA2) module supports secure boot with dedicated DMA controller.
 - ◆ Physical Unclonable Function (PUF) using dedicated SRAM for silicon fingerprint. PUF can generate, store, and reconstruct key sizes from 64 to 4096 bits. Includes hardware for key extraction.
 - ◆ True Random Number Generator (TRNG).
 - ◆ 128 bit unique device serial number for identification (UUID).
 - ◆ Secure GPIO.
 - ◆ Code Watchdog for detecting code flow integrity.
- Timers:
 - ◆ Five 32-bit standard general purpose asynchronous timers/counters, which support up to four capture inputs and four compare outputs, PWM mode, and external count input. Specific timer events can be selected to generate DMA requests.
 - ◆ One SCTimer/PWM with 8 input and 10 output functions (including 16 capture and match registers). Inputs and outputs can be routed to or from external pins and internally to or from selected peripherals. Internally, the SCTimer/PWM supports 16 captures/matches, 16 events, and 32 states.
 - ◆ 32-bit Real-time clock (RTC) with 1 s resolution running in the always-on power domain. Another timer in the RTC can be used for wake-up from all low power modes including deep power-down, with 1 ms resolution. The RTC is clocked by the 32 kHz FRO or 32.768 kHz external crystal.
 - ◆ Multiple-channel multi-rate 24-bit timer (MRT) for repetitive interrupt generation at up to four programmable, fixed rates.
 - ◆ Windowed Watchdog Timer (WWDT) with FRO 1 MHz as clock source.
 - ◆ Code Watchdog for detecting code flow integrity.

- ◆ The Micro-Tick Timer running from the watchdog oscillator can be used to wake-up the device from sleep and deep-sleep modes. Includes 4 capture registers with pin inputs.
- ◆ 42-bit free running OS Timer as continuous time-base for the system, available in any reduced power modes. It runs on 32 kHz clock source, allowing a count period of more than 4 years.
- Analog peripherals:
 - ◆ 16-bit ADC with five differential channel pair (or 10 single-ended channels), and with multiple internal and external trigger inputs and sample rates of up to 2.0 MSamples/sec. The ADC support simultaneous conversions, on 2 ADC input channels belonging to a differential pair.
 - ◆ Integrated temperature sensor connected to the ADC.
 - ◆ Comparator with five input pins and external or internal reference voltage.
- Clock generation:
 - ◆ Internal Free Running Oscillator (FRO). This oscillator provides a selectable 96 MHz output, and a 12 MHz output (divided down from the selected higher frequency) that can be used as a system clock. The FRO is trimmed to +/- 1% accuracy over the entire voltage and 0 C to 85 C. The FRO is trimmed to +/- 2% accuracy over the entire voltage and -40 C to 105 C.
 - ◆ 32 kHz Internal Free Running Oscillator FRO. The FRO is trimmed to +/- 2% accuracy over the entire voltage and temperature range.
 - ◆ Internal low power oscillator (FRO 1 MHz) trimmed to +/- 15% accuracy over the entire voltage and temperature range.
 - ◆ Crystal oscillator with an operating frequency of 16 MHz to 32 MHz. Option for external clock input (bypass mode) for clock frequencies of up to 25 MHz.
 - ◆ Crystal oscillator with 32.768 kHz operating frequency.
 - ◆ PLL0 and PLL1 allows CPU operation up to the maximum CPU rate without the need for a high-frequency external clock. PLL0 and PLL1 can run from the internal FRO 12 MHz output, the external oscillator, internal FRO 1 MHz output, or the 32.768 kHz RTC oscillator.
 - ◆ Clock output function with divider to monitor internal clocks.
 - ◆ Frequency measurement unit for measuring the frequency of any on-chip or off-chip clock signal.
 - ◆ Each crystal oscillator has one embedded capacitor bank, where each can be used as an integrated load capacitor for the crystal oscillators. Using APIs, the capacitor banks on each crystal pin can tune the frequency for crystals with a Capacitive Load (CL) leading to conserving board space and reducing costs.
- Power-saving modes and wake-up:
 - ◆ Integrated PMU (Power Management Unit) to minimize power consumption.
 - ◆ Reduced power modes: Sleep, deep-sleep with RAM retention, power-down with RAM retention and CPU retention, and deep power-down with RAM retention.
 - ◆ Configurable wake-up options from peripherals interrupts.
 - ◆ The Micro-Tick Timer running from the watchdog oscillator, and the Real-Time Clock (RTC) running from the 32.768 kHz clock, can be used to wake-up the device from sleep and deep-sleep modes.
 - ◆ Power-On Reset (POR) (around 0.8 V).
 - ◆ Brown-Out Detectors (BOD) for VBAT_DCDC with separate thresholds for forced reset.

- Operating from internal DC-DC converter.
- Single power supply 1.8 V to 3.6 V.
- JTAG boundary scan supported.
- Operating temperature range $-40\text{ }^{\circ}\text{C}$ to $+105\text{ }^{\circ}\text{C}$.
- Available in HTQFP64 and HVQFN48 packages.

3. Ordering information

Table 1. Ordering information

Type number	Package		
	Name	Description	Version
LPC55S06JBD64	HTQFP64	plastic low profile quad flat package; 64 leads; body 10 × 10 × 0.5mm pitch	SOT 855-5
LPC55S06JHI48	HVQFN48	plastic thermal enhanced very thin quad flat package; no leads; 48 terminals; body 7 x7 x 0.85 mm	SOT619-28
LPC55S04JBD64	HTQFP64	plastic low profile quad flat package; 64 leads; body 10 × 10 × 0.5mm pitch	SOT 855-5
LPC55S04JHI48	HVQFN48	plastic thermal enhanced very thin quad flat package; no leads; 48 terminals; body 7 x7 x 0.85 mm	SOT619-28
LPC5506JBD64	HTQFP64	plastic low profile quad flat package; 64 leads; body 10 × 10 × 0.5mm pitch	SOT 855-5
LPC5506JHI48	HVQFN48	plastic thermal enhanced very thin quad flat package; no leads; 48 terminals; body 7 x7 x 0.85 mm	SOT619-28
LPC5504JBD64	HTQFP64	plastic low profile quad flat package; 64 leads; body 10 × 10 × 0.5mm pitch	SOT 855-5
LPC5504JHI48	HVQFN48	plastic thermal enhanced very thin quad flat package; no leads; 48 terminals; body 7 x7 x 0.85 mm	SOT619-28
LPC5502JBD64	HTQFP64	plastic low profile quad flat package; 64 leads; body 10 × 10 × 0.5mm pitch	SOT 855-5
LPC5502JHI48/	HVQFN48	plastic thermal enhanced very thin quad flat package; no leads; 48 terminals; body 7 x7 x 0.85 mm	SOT619-28

3.1 Ordering options

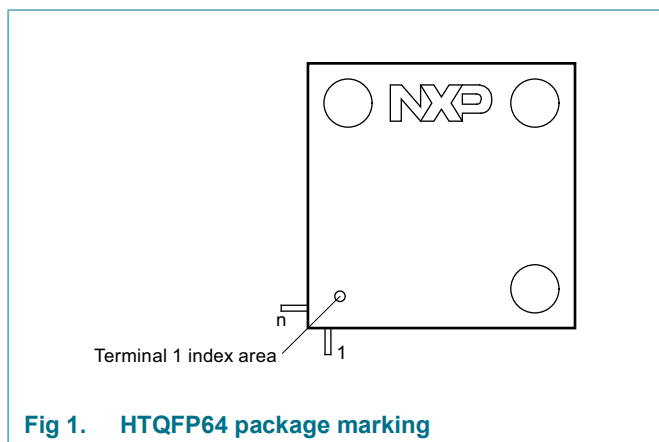
Table 2. Ordering options

Type number	Flash/KB	Total SRAM/KB	Secure boot	TrustZone	PUF Controller	HASH-AES	RNG	CASPER	PRINCE	CAN FD	GPIO	ADC Channels
LPC55S06JBD64	256	96	yes	yes	yes	yes	yes	yes	yes	CAN FD	45	9
LPC55S06JHI48	256	96	yes	yes	yes	yes	yes	yes	yes	CAN FD	30	7
LPC55S04JBD64	128	80	yes	yes	yes	yes	yes	yes	yes	CAN FD	45	9
LPC55S04JHI48	128	80	yes	yes	yes	yes	yes	yes	yes	CAN FD	30	7
LPC5506JBD64	256	96	-	-	-	-	yes	-	-	CAN2.0	45	9
LPC5506JHI48	256	96	-	-	-	-	yes	-	-	CAN2.0	30	7
LPC5504JBD64	128	80	-	-	-	-	yes	-	-	CAN2.0	45	9
LPC5504JHI48	128	80	-	-	-	-	yes	-	-	CAN2.0	30	7
LPC5502JBD64	64	48	-	-	-	-	yes	-	-	CAN2.0	45	9
LPC5502JHI48	64	48	-	-	-	-	yes	-	-	CAN2.0	30	7

Note:

- HTQFP64: up to 8 Flexcomm interfaces (UART up to 8, I2C up to 8, I2S up to 8 and SPI up to 6) + 1 HS SPI.
- HVQFN48: up to 7 Flexcomm interfaces (UART up to 7, I2C up to 7, I2S up to 4 and SPI up to 3) + 1 HS SPI.

4. Marking



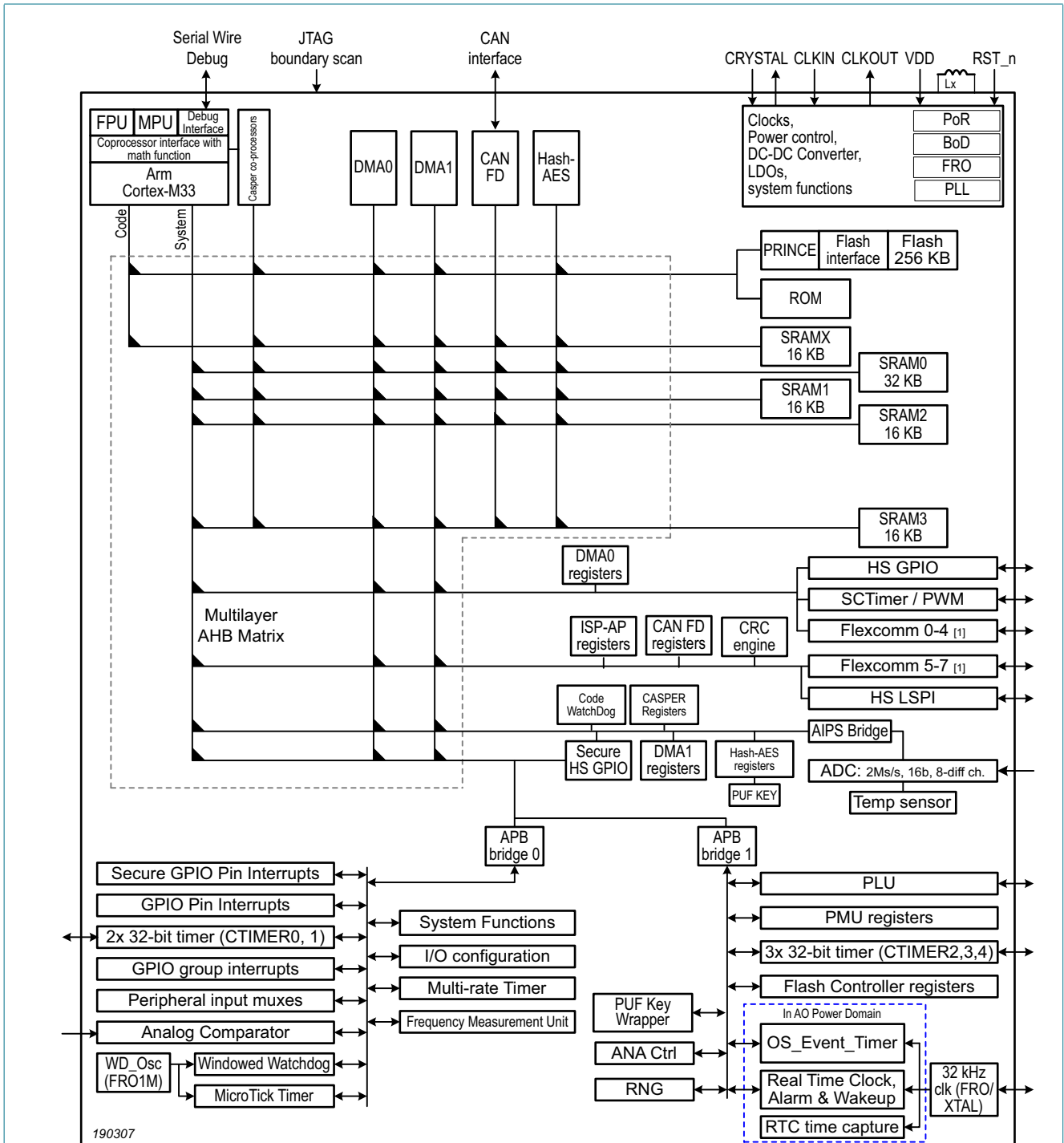
The LPC55S0x/LPC550x HTQFP64 package has the following top-side marking:

- First line: LPC55S0x/LPC550x
- Second line: JBD64
- Third line: xxxx
- Fourth line: xxxx
- Fifth line: zzyywwxR
 - yyww: Date code with yy = year and ww = week.
 - xR: Device revision A

The LPC55S0x/LPC550x HVQFN48 package has the following top-side marking:

- First line: LPC55S0x/LPC550x
- Second line: JHI48
- Third line: xxxxxxxx
- Fourth line: xxxx
- Fifth line: zzyywwxR
 - yyww: Date code with yy = year and ww = week.
 - xR: Device revision A

5. Block diagram



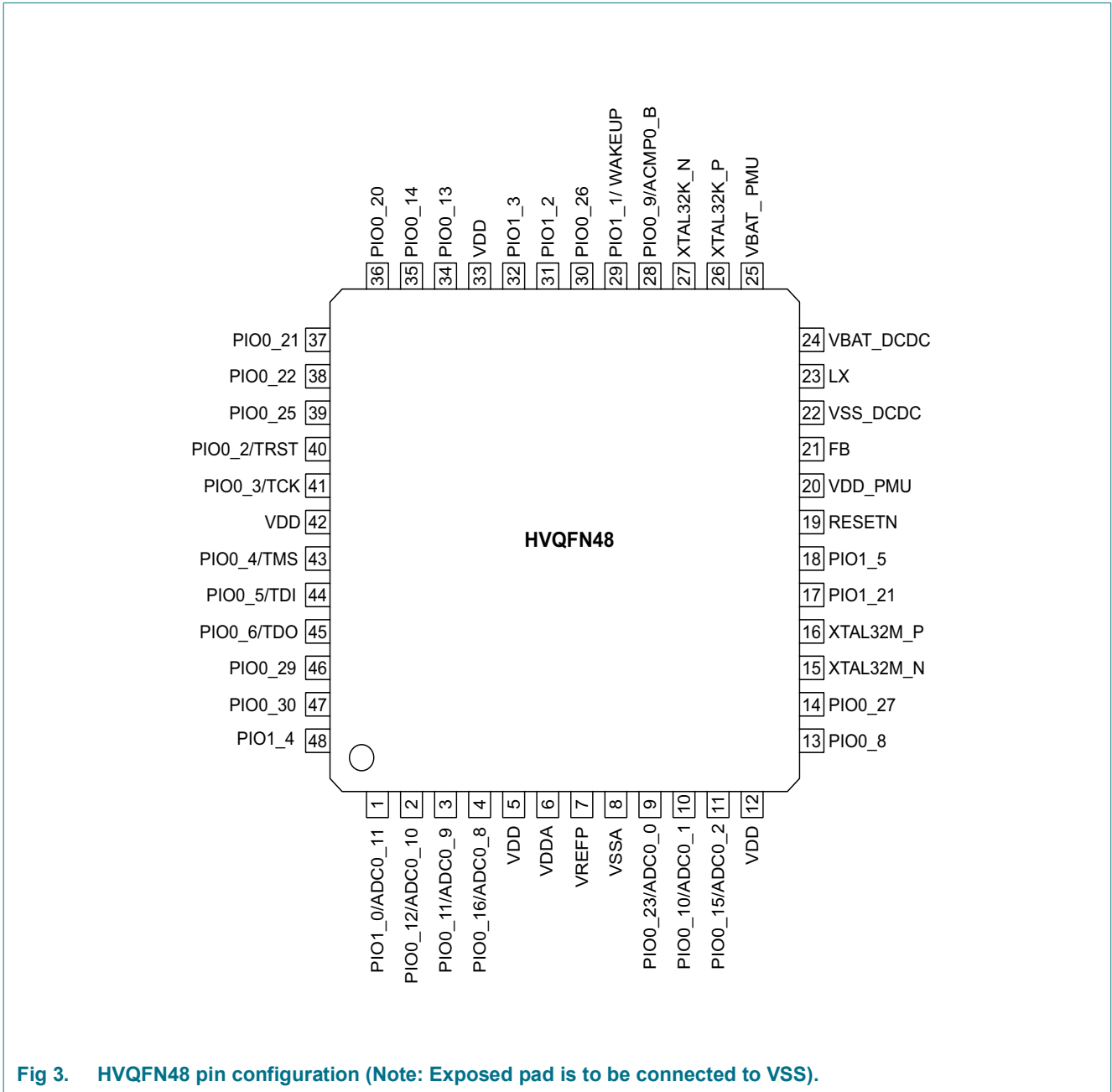
Notes:

[1]: Each FlexComm includes USART, SPI, I2C and I2S functions. Flexcomms 0 to 7 each provide 1 channel-pair of I2S function.

Fig 2. LPC55S0x/LPC550x Block diagram

6. Pinning information

6.1 Pinning



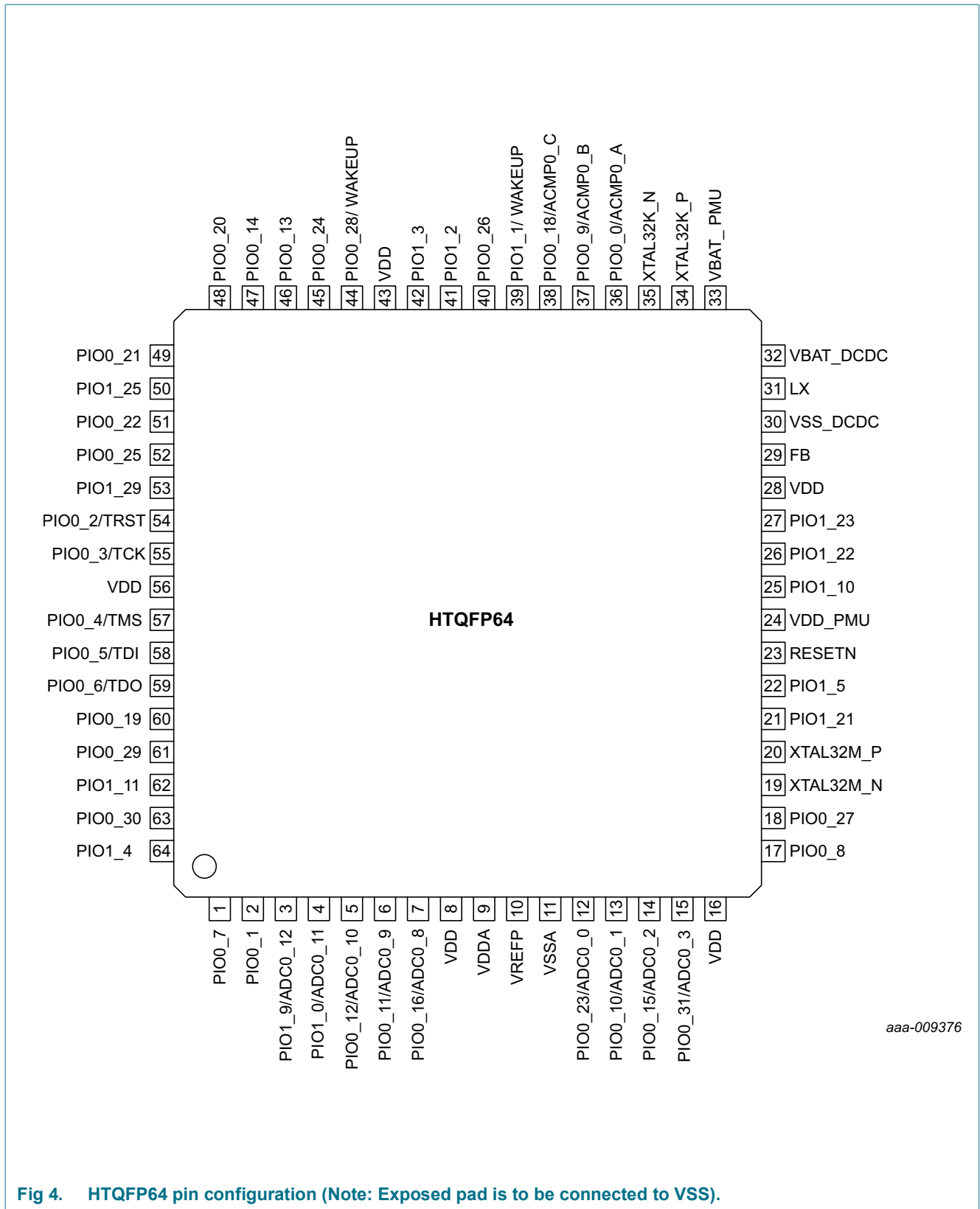


Fig 4. HTQFP64 pin configuration (Note: Exposed pad is to be connected to VSS).

6.2 Pin description

Table 4 shows the pin functions available on each pin, and for each package. These functions are selectable using the IOCON control registers.

Some functions, such as ADC or comparator inputs, are available only on specific pins when digital functions are disabled on those pins. By default, the GPIO function is selected except on pins PIO0_11 and PIO0_12, which are the serial wire debug pins. This allows debug to operate through reset.

All pins have all pull-ups, pull-downs, and inputs turned off at reset except PIO0_2, PIO0_5, PIO0_11, PIO0_12, PIO0_13 and PIO0_14 pins. This prevents power loss through pins prior to software configuration. Due to special pin functions, some pins have a different reset configuration. PIO0_5 and PIO0_12 pins have internal pull-up enabled by default, and PIO0_2 and PIO0_11 have internal pull-down enabled by default. PIO0_13 and PIO0_14 are true open drain pins. Refer to pin description table for default reset configuration.

The state of port pin PIO0_5 at Reset determines the boot source of the part or if the handler is invoked.

The external reset pin or wake-up pins (up to two on HTQFP64 and one on HVQFN48) can trigger a wake-up from deep power-down mode. For the wake-up pins, do not assign any function to this pin if it will be used as a wake-up input when using deep power-down mode. If not in deep power-down mode, a function can be assigned to this pin. If the pin is used for wake-up, it should be pulled HIGH externally before entering deep power-down mode. A LOW-going pulse as short as 50 ns causes the chip to exit deep power-down mode and wakes up the part.

The JTAG functions TRST, TCK, TMS, TDI, and TDO, are selected on pins PIO0_2 to PIO0_6 by hardware when the part is in boundary scan mode. The JTAG functions cannot be used for debug mode.

Table 3. Pin description

Symbol	64 pin HTQFP	48 pin HVQFN		Reset state [4]	Type	Function #	Description
PIO0_0/ ACMP0_A	36	-	[4]	Z	I/O; AI	0	PIO0_0/ACMP0_A — General-purpose digital input/output pin. Comparator 0, input A if the DIGIMODE bit is set to 0 and ANAMODE is set to 1 in the IOCON register for this pin.
						1	R — Reserved.
					I/O	2	FC3_SCK — Flexcomm 3: USART, SPI, or I2S clock.
					O	3	CTIMER0_MAT0 — 32-bit CTimer0 match output 0.
					I	4	SCT0_GPIO — Pin input 0 to SCTimer/PWM.
						5	R — Reserved.
					I	6	R — Reserved.
						7	R — Reserved.
						8	R — Reserved.
						9	R — Reserved.
	I/O	10	SEC_PIO0_0 — Secure GPIO pin.				
PIO0_1	2	-	[2]	Z	I/O	0	PIO0_1 — General-purpose digital input/output pin.
						1	R — Reserved.
					I/O	2	FC3_CTS_SDA_SSEL0 — Flexcomm 3: USART clear-to-send, I2C data I/O, SPI Slave Select 0.
					I	3	CTIMER_INP0 — Capture input to CTIMER input muxes.
					I	4	SCT0_GPI1 — Pin input 1 to SCTimer/PWM.
						5	R — Reserved.
					O	6	R — Reserved.
					O	7	CMP0_OUT — Analog comparator 0 output.
						8	R — Reserved.
						9	R — Reserved.
	I/O	10	SEC_PIO0_1 — Secure GPIO pin.				
PIO0_2/ TRST	54	40	[2] [9]	P D	I/O	0	PIO0_2 — General-purpose digital input/output pin. In boundary scan mode: TRST (Test Reset).
					I/O	1	FC3_TXD_SCL_MISO_WS — Flexcomm 3: USART transmitter, I2C clock, SPI master-in/slave-out data I/O, I2S word-select/frame.
					I	2	CTIMER_INP1 — Capture input to CTIMER input multiplexers.
					O	3	SCT0_OUT0 — SCTimer/PWM output 0.
					I	4	SCT0_GPI2 — Pin input 2 to SCTimer/PWM.
						5	R — Reserved.
						6	R — Reserved.
						7	R — Reserved.
						8	R — Reserved.
						9	R — Reserved.
	I/O	10	SEC_PIO0_2 — Secure GPIO pin.				

Table 3. Pin description ...continued

Symbol	64 pin HTQFP	48 pin HVQFN		Reset state [1]	Type	Function #	Description	
PIO0_3/ TCK	55	41	[2] [9]	Z	I/O	0	PIO0_3 — General-purpose digital input/output pin. In boundary scan mode: TCK (Test Clock In).	
					I/O	1	FC3_RXD_SDA_MOSI_DATA — Flexcomm 3: USART receiver, I2C data I/O, SPI master-out/slave-in data, I2S data I/O.	
					O	2	CTIMER0_MAT1 — 32-bit CTimer0 match output 1.	
					O	3	SCT0_OUT1 — SCTimer/PWM output 1.	
					I	4	SCT0_GPI3 — Pin input 3 to SCTimer/PWM.	
						5	R — Reserved.	
						6	R — Reserved.	
						7	R — Reserved.	
						8	R — Reserved.	
						9	R — Reserved.	
						I/O	10	SEC_PIO0_3 — Secure GPIO pin.
PIO0_4/TMS	57	43	[2] [9]	Z	I/O	0	PIO0_4 — General-purpose digital input/output pin. In boundary scan mode: TMS (Test Mode Select).	
					I	1	CAN0_RD — Receiver input for CAN 0.	
					I/O	2	FC4_SCK — Flexcomm 4: USART, SPI, or I2S clock.	
					I	3	CTIMER_INP12 — Capture input to CTIMER input multiplexers.	
					I	4	SCT0_GPI4 — Pin input 4 to SCTimer/PWM.	
						5	R — Reserved.	
						6	R — Reserved.	
						7	R — Reserved.	
						I/O	8	FC3_CTS_SDA_SSEL0 — Flexcomm 3: USART clear-to-send, I2C data I/O, SPI Slave Select 0.
						9	R — Reserved.	
						I/O	10	SEC_PIO0_4 — Secure GPIO pin.

Table 3. Pin description ...continued

Symbol	64 pin HTQFP	48 pin HVQFN		Reset state [1]	Type	Function #	Description
PIO0_5/ TDI	58	44	[2] [9]	P U	I/O	0	PIO0_5 — General-purpose digital input/output pin. In boundary scan mode: TDI (Test Data In). Remark: The state of this pin at Reset determines the boot source for the part or if ISP handler is invoked. See the Boot Process chapter in UM11126 for more details.
					O	1	CAN0_TD — Transmitter output for CAN 0.
					I/O	2	FC4_RXD_SDA_MOSI_DATA — Flexcomm 4: USART receiver, I2C data I/O, SPI master-out/slave-in data, I2S data I/O.
					O	3	CTIMER3_MAT0 — 32-bit CTimer3 match output 0.
					I	4	SCT0_GPI5 — Pin input 5 to SCTimer/PWM.
						5	R — Reserved.
						6	R — Reserved.
						7	R — Reserved.
					I/O	8	FC3_RTS_SCL_SSEL1 — Flexcomm 3: USART request-to-send, I2C clock, SPI slave select 1.
					I/O	9	MCLK — MCLK input or output for I2S.
I/O	10	SEC_PIO0_5 — Secure GPIO pin.					
PIO0_6/ TDO	59	45	[2] [9]	Z	I/O	0	PIO0_6 — General-purpose digital input/output pin. In boundary scan mode: TDO (Test Data Out).
					I/O	1	FC3_SCK — Flexcomm 3: USART, SPI, or I2S clock.
					I	2	CTIMER_INP13 — Capture input to CTIMER input multiplexers.
					O	3	CTIMER4_MAT0 — 32-bit CTimer4 match output 0.
					I	4	SCT0_GPI6 — Pin input 6 to SCTimer/PWM.
						5	R — Reserved.
						6	R — Reserved.
						7	R — Reserved.
						8	R — Reserved.
						9	R — Reserved.
I/O	10	SEC_PIO0_6 — Secure GPIO pin.					

Table 3. Pin description ...continued

Symbol	64 pin HTQFP	48 pin HVQFN		Reset state [1]	Type	Function #	Description
PIO0_7	1	-	[2]	Z	I/O	0	PIO0_7 — General-purpose digital input/output pin.
					I/O	1	FC3_RTS_SCL_SSEL1 — Flexcomm 3: USART request-to-send, I2C clock, SPI slave select 1.
					O	2	R — Reserved.
					I/O	3	FC5_SCK — Flexcomm 5: USART, SPI, or I2S clock.
					I/O	4	FC1_SCK — Flexcomm 1: USART, SPI, or I2S clock.
						5	R — Reserved.
						6	R — Reserved.
						7	R — Reserved.
						8	R — Reserved.
						9	R — Reserved.
					I/O	10	SEC_PIO0_7 — Secure GPIO pin.
PIO0_8	17	13	[2]	Z	I/O	0	PIO0_8 — General-purpose digital input/output pin.
					I/O	1	FC3_SSEL3 — Flexcomm 3: SPI slave select 3.
					I/O	2	R — Reserved.
					I/O	3	FC5_RXD_SDA_MOSI_DATA — Flexcomm 5: USART receiver, I2C data I/O, SPI master-out/slave-in data, I2S data I/O.
					O	4	SWO — Serial Wire Debug trace output.
						5	R — Reserved.
						6	R — Reserved.
						7	R — Reserved.
						8	R — Reserved.
						9	R — Reserved.
					I/O	10	SEC_PIO0_8 — Secure GPIO pin.

Table 3. Pin description ...continued

Symbol	64 pin HTQFP	48 pin HVQFN		Reset state [1]	Type	Function #	Description
PIO0_9/ACM PO_B	37	28	[4]	Z	I/O;	0	PIO0_9/ACMP0_B — General-purpose digital input/output pin. Comparator 0, input B if the DIGIMODE bit is set to 0 and ANAMODE is set to 1 in the IOCON register for this pin.
					AI	1	FC3_SSEL2 — Flexcomm 3: SPI slave select 2.
						2	R — Reserved.
					I/O	3	FC5_TXD_SCL_MISO_WS — Flexcomm 5: USART transmitter, I2C clock, SPI master-in/slave-out data I/O, I2S word-select/frame.
						4	R — Reserved.
						5	R — Reserved.
						6	R — Reserved.
						7	R — Reserved.
						8	R — Reserved.
						9	R — Reserved.
	I/O	10	SEC_PIO0_9 — Secure GPIO pin.				
PIO0_10/ ADC0_1	13	10	[4]	Z	I/O;	0	PIO0_10/ADC0_1 — General-purpose digital input/output pin. ADC input channel 1 if the DIGIMODE bit is set to 0 and ANAMODE is set to 1 in the IOCON register for this pin.
					AI	1	FC6_SCK — Flexcomm 6: USART, SPI, or I2S clock.
						2	CTIMER_INP10 — Capture input to CTIMER input multiplexers.
					O	3	CTIMER2_MAT0 — 32-bit CTimer2 match output 0.
					I/O	4	FC1_TXD_SCL_MISO_WS — Flexcomm 1: USART transmitter, I2C clock, SPI master-in/slave-out data I/O, I2S word-select/frame.
					O	5	SCT0_OUT2 — SCTimer/PWM output 2.
					O	6	SWO — Serial Wire Debug trace output.
						7	R — Reserved.
						8	R — Reserved.
						9	R — Reserved.
	I/O	10	SEC_PIO0_10 — Secure GPIO pin.				

Table 3. Pin description ...continued

Symbol	64 pin HTQFP	48 pin HVQFN		Reset state [1]	Type	Function #	Description
PIO0_11/ ADC0_9	6	3	[4]	P D	I/O; AI	0	PIO0_11/ADC0_9 — General-purpose digital input/output pin. ADC input channel 9 if the DIGIMODE bit is set to 0 and ANAMODE is set to 1 in the IOCON register for this pin.
					I/O	1	FC6_RXD_SDA_MOSI_DATA — Flexcomm 6: USART receiver, I2C data I/O, SPI master-out/slave-in data, I2S data I/O.
					O	2	CTIMER2_MAT2 — 32-bit CTimer2 match output 2.
					I	3	FREQME_GPIO_CLK_A — Frequency Measure pin clock input A.
						4	R — Reserved.
						5	R — Reserved.
					I	6	SWCLK — Serial Wire Debug clock. This is the default function after booting.
						7	R — Reserved.
						8	R — Reserved.
						9	R — Reserved.
					I/O	10	SEC_PIO0_11 — Secure GPIO pin.
PIO0_12/ ADC0_10	5	2	[4]	P U	I/O; AI	0	PIO0_12/ADC0_10 — General-purpose digital input/output pin. ADC input channel 10 if the DIGIMODE bit is set to 0 and ANAMODE is set to 1 in the IOCON register for this pin.
					I/O	1	FC3_TXD_SCL_MISO_WS — Flexcomm 3: USART transmitter, I2C clock, SPI master-in/slave-out data I/O, I2S word-select/frame.
					O	2	R — Reserved.
					I	3	FREQME_GPIO_CLK_B — Frequency Measure pin clock input B.
					I	4	SCT0_GPI7 — Pin input 7 to SCTimer/PWM.
					O	5	R — Reserved.
					I/O	6	SWDIO — Serial Wire Debug I/O. This is the default function after booting.
					I/O	7	FC6_TXD_SCL_MISO_WS — Flexcomm 6: USART transmitter, I2C clock, SPI master-in/slave-out data I/O, I2S word-select/frame.
						8	R — Reserved.
						9	R — Reserved.
					I/O	10	SEC_PIO0_12 — Secure GPIO pin.

Table 3. Pin description ...continued

Symbol	64 pin HTQFP	48 pin HVQFN		Reset state [1]	Type	Function #	Description
PIO0_13	46	34	[3]	Z	I/O	0	PIO0_13 — General-purpose digital input/output pin. Remark: In ISP mode, this pin is set to the Flexcomm 1 I2C SDA function.
						1	FC1_CTS_SDA_SSEL0 — Flexcomm 1: USART clear-to-send, I2C data I/O, SPI Slave Select 0.
						2	UTICK_CAP0 — Micro-tick timer capture input 0.
						3	CTIMER_INP0 — Capture input to CTIMER input multiplexers.
						4	SCT0_GPIO — Pin input 0 to SCTimer/PWM.
						5	FC1_RXD_SDA_MOSI_DATA — Flexcomm 1: USART receiver, I2C data I/O, SPI master-out/slave-in data, I2S data I/O.
						6	R — Reserved.
						7	R — Reserved.
						8	R — Reserved.
						9	PLU_INPUT0 — PLU input 0.
						10	SEC_PIO0_13 — Secure GPIO pin.
PIO0_14	47	35	[3]	Z	I/O	0	PIO0_14 — General-purpose digital input/output pin. Remark: In ISP mode, this pin is set to the Flexcomm 1 I2C SCL function.
						1	FC1_RTS_SCL_SSEL1 — Flexcomm 1: USART request-to-send, I2C clock, SPI slave select 1.
						2	UTICK_CAP1 — Micro-tick timer capture input 1.
						3	CTIMER_INP1 — Capture input to CTIMER input multiplexers.
						4	SCT0_GPI1 — Pin input 1 to SCTimer/PWM.
						5	R — Reserved.
						6	FC1_TXD_SCL_MISO_WS — Flexcomm 1: USART transmitter, I2C clock, SPI master-in/slave-out data I/O, I2S word-select/frame.
						7	R — Reserved.
						8	R — Reserved.
						9	PLU_INPUT1 — PLU input 1.
						10	SEC_PIO0_14 — Secure GPIO pin.

Table 3. Pin description ...continued

Symbol	64 pin HTQFP	48 pin HVQFN		Reset state [1]	Type	Function #	Description
PIO0_15/ ADC0_2	14	11	[4]	Z	I/O; AI	0	PIO0_15/ADC0_2 — General-purpose digital input/output pin. ADC input channel 2 if the DIGIMODE bit is set to 0 and ANAMODE is set to 1 in the IOCON register for this pin.
					I/O	1	FC6_CTS_SDA_SSELO — Flexcomm 6: USART clear-to-send, I2C data I/O, SPI Slave Select 0.
					I	2	UTICK_CAP2 — Micro-tick timer capture input 2.
					I	3	CTIMER_INP16 — Capture input to CTIMER input multiplexers.
					O	4	SCT0_OUT2 — SCTimer/PWM output 2.
					I	5	R — Reserved.
						6	R — Reserved.
						7	R — Reserved.
						8	R — Reserved.
						9	R — Reserved.
	I/O	10	SEC_PIO0_15 — Secure GPIO pin.				
PIO0_16/ ADC0_8	7	4	[4]	Z	I/O; AI	0	PIO0_16/ADC0_8 — General-purpose digital input/output pin. ADC input channel 8 if the DIGIMODE bit is set to 0 and ANAMODE is set to 1 in the IOCON register for this pin.
					I/O	1	FC4_TXD_SCL_MISO_WS — Flexcomm 4: USART transmitter, I2C clock, SPI master-in/slave-out data I/O, I2S word-select/frame.
					O	2	CLKOUT — Output of the CLKOUT function.
					I	3	CTIMER_INP4 — Capture input to CTIMER input multiplexers.
						4	R — Reserved.
						5	R — Reserved.
						6	R — Reserved.
						7	R — Reserved.
						8	R — Reserved.
						9	R — Reserved.
	I/O	10	SEC_PIO0_16 — Secure GPIO pin.				

Table 3. Pin description ...continued

Symbol	64 pin HTQFP	48 pin HVQFN		Reset state [1]	Type	Function #	Description
PIO0_18/ ACMP0_C	38	-	[4]	Z	I/O; AI	0	PIO0_18/ACMP0_C — General-purpose digital input/output pin. Comparator 0, input C if the DIGIMODE bit is set to 0 and ANAMODE is set to 1 in the IOCON register for this pin.
					I/O	1	FC4_CTS_SDA_SSELO — Flexcomm 4: USART clear-to-send, I2C data I/O, SPI Slave Select 0.
					I	2	R — Reserved.
					O	3	CTIMER1_MAT0 — 32-bit CTimer1 match output 0.
					O	4	SCT0_OUT1 — SCTimer/PWM output 1.
						5	R — Reserved.
						6	R — Reserved.
						7	R — Reserved.
						8	R — Reserved.
					I	9	PLU_INPUT3 — PLU input 3.
					I/O	10	SEC_PIO0_18 — Secure GPIO pin.
PIO0_19	60	-	[2]	Z	I/O	0	PIO0_19 — General-purpose digital input/output pin.
					I/O	1	FC4_RTS_SCL_SSEL1 — Flexcomm 4: USART request-to-send, I2C clock, SPI slave select 1.
					I	2	UTICK_CAP0 — Micro-tick timer capture input 0.
					O	3	CTIMER0_MAT2 — 32-bit CTimer0 match output 2.
					O	4	SCT0_OUT2 — SCTimer/PWM output 2.
						5	R — Reserved.
						6	R — Reserved.
					I/O	7	FC7_TXD_SCL_MISO_WS — Flexcomm 7: USART transmitter, I2C clock, SPI master-in/slave-out data I/O, I2S word-select/frame.
						8	R — Reserved.
					I	9	PLU_INPUT4 — PLU input 4.
					I/O	10	SEC_PIO0_19 — Secure GPIO pin.

Table 3. Pin description ...continued

Symbol	64 pin HTQFP	48 pin HVQFN		Reset state [1]	Type	Function #	Description
PIO0_20	48	36	[2]	Z	I/O	0	PIO0_20 — General-purpose digital input/output pin.
					I/O	1	FC3_CTS_SDA_SSEL0 — Flexcomm 3: USART clear-to-send, I2C data I/O, SPI Slave Select 0.
					O	2	CTIMER1_MAT1 — 32-bit CTimer1 match output 1.
					I	3	CTIMER_INP15 — Capture input to CTIMER input multiplexers.
					I	4	SCT0_GPI2 — Pin input 2 to SCTimer/PWM.
						5	R — Reserved.
						6	R — Reserved.
					I/O	7	FC7_RXD_SDA_MOSI_DATA — Flexcomm 7: USART receiver, I2C data I/O, SPI master-out/slave-in data, I2S data I/O.
					I/O	8	HS_SPI_SSEL0 — Slave Select 0 for high speed SPI.
					I	9	PLU_INPUT5 — PLU input 5.
					I/O	10	SEC_PIO0_20 — Secure GPIO pin.
I/O	11	FC4_TXD_SCL_MISO_WS — Flexcomm 4: USART transmitter, I2C clock, SPI master-in/slave-out data I/O, I2S word-select/frame.					
PIO0_21	49	37	[2]	Z	I/O	0	PIO0_21 — General-purpose digital input/output pin.
					I/O	1	FC3_RTS_SCL_SSEL1 — Flexcomm 3: USART request-to-send, I2C clock, SPI slave select 1.
					I	2	UTICK_CAP3 — Micro-tick timer capture input 3.
					O	3	CTIMER3_MAT3 — 32-bit CTimer3 match output 3.
					I	4	SCT0_GPI3 — Pin input 3 to SCTimer/PWM.
						5	R — Reserved.
						6	R — Reserved.
					I/O	7	FC7_SCK — Flexcomm 7: USART, SPI, or I2S clock.
					I/O	8	HS_SPI_SSEL3 — Slave Select 3 for high speed SPI.
					I	9	PLU_CLKIN — PLU clock input. Maximum Frequency on PLU clock input is 25 MHz.
I/O	10	SEC_PIO0_21 — Secure GPIO pin.					

Table 3. Pin description ...continued

Symbol	64 pin HTQFP	48 pin HVQFN		Reset state [1]	Type	Function #	Description
PIO0_22	51	38		Z	I/O	0	PIO0_22 — General-purpose digital input/output pin.
					I/O	1	FC6_TXD_SCL_MISO_WS — Flexcomm 6: USART transmitter, I2C clock, SPI master-in/slave-out data I/O, I2S word-select/frame.
					I	2	UTICK_CAP1 — Micro-tick timer capture input 1.
					I	3	CTIMER_INP15 — Capture input to CTIMER input multiplexers.
					O	4	SCT0_OUT3 — SCTimer/PWM output 3.
						5	R — Reserved.
						6	R — Reserved.
					I	7	R — Reserved.
					I/O	8	R — Reserved.
					O	9	PLU_OUT7 — PLU output 7.
					I/O	10	SEC_PIO0_22 — Secure GPIO pin.
PIO0_23/ ADC0_0	12	9	[4]	Z	I/O; AI	0	PIO0_23/ADC0_0 — General-purpose digital input/output pin. ADC input channel 0 if the DIGIMODE bit is set to 0 and ANAMODE is set to 1 in the IOCON register for this pin.
					I/O	1	MCLK — MCLK input or output for I2S.
					O	2	CTIMER1_MAT2 — 32-bit CTimer1 match output 2.
					O	3	CTIMER3_MAT3 — 32-bit CTimer3 match output 3.
					O	4	SCT0_OUT4 — SCTimer/PWM output 4.
					I/O	5	FC0_CTS_SDA_SSELO — Flexcomm 0: USART clear-to-send, I2C data I/O, SPI Slave Select 0.
						6	R — Reserved.
						7	R — Reserved.
					I/O	8	R — Reserved.
						9	R — Reserved.
					I/O	10	SEC_PIO0_23 — Secure GPIO pin.

Table 3. Pin description ...continued

Symbol	64 pin HTQFP	48 pin HVQFN		Reset state [1]	Type	Function #	Description
PIO0_24	45	-	[2]	Z	I/O	0	PIO0_24 — General-purpose digital input/output pin.
					I/O	1	FC0_RXD_SDA_MOSI_DATA — Flexcomm 0: USART receiver, I2C data I/O, SPI master-out/slave-in data, I2S data I/O.
					I/O	2	R — Reserved.
					I	3	CTIMER_INP8 — Capture input to CTIMER input multiplexers.
					I	4	SCT0_GPIO — Pin input 0 to SCTimer/PWM.
						5	R — Reserved.
						6	R — Reserved.
						7	R — Reserved.
						8	R — Reserved.
						9	R — Reserved.
					I/O	10	SEC_PIO0_24 — Secure GPIO pin.
PIO0_25	52	39	[2]	Z	I/O	0	PIO0_25 — General-purpose digital input/output pin.
					I/O	1	FC0_TXD_SCL_MISO_WS — Flexcomm 0: USART transmitter, I2C clock, SPI master-in/slave-out data I/O, I2S word-select/frame.
					I/O	2	R — Reserved.
					I	3	CTIMER_INP9 — Capture input to CTIMER input multiplexers.
					I	4	SCT0_GPI1 — Pin input 1 to SCTimer/PWM.
						5	R — Reserved.
						6	R — Reserved.
						7	R — Reserved.
						8	R — Reserved.
						9	R — Reserved.
					I/O	10	SEC_PIO0_25 — Secure GPIO pin.

Table 3. Pin description ...continued

Symbol	64 pin HTQFP	48 pin HVQFN		Reset state [1]	Type	Function #	Description
PIO0_26	40	30		Z	I/O	0	PIO0_26 — General-purpose digital input/output pin. Remark: In ISP mode, this pin is set to the HS SPI MOSI function (Flexcomm 8)
					I/O	1	FC2_RXD_SDA_MOSI_DATA — Flexcomm 2: USART receiver, I2C data I/O, SPI master-out/slave-in data, I2S data I/O.
					O	2	CLKOUT — Output of the CLKOUT function.
					I	3	CTIMER_INP14 — Capture input to CTIMER input multiplexers.
					O	4	SCT0_OUT5 — SCTimer/PWM output 5.
						5	R — Reserved.
						6	R — Reserved.
					I	7	R — Reserved.
					I/O	8	FC0_SCK — Flexcomm 0: USART, SPI, or I2S clock.
					I/O	9	HS_SPI_MOSI — Master-out/slave-in data for high speed SPI.
					I/O	10	SEC_PIO0_26 — Secure GPIO pin.
PIO0_27	18	14	[2]	Z	I/O	0	PIO0_27 — General-purpose digital input/output pin.
					I/O	1	FC2_TXD_SCL_MISO_WS — Flexcomm 2: USART transmitter, I2C clock, SPI master-in/slave-out data I/O, I2S word-select/frame.
						2	R — Reserved.
					O	3	CTIMER3_MAT2 — 32-bit CTimer3 match output 2.
					O	4	SCT0_OUT6 — SCTimer/PWM output 6.
						5	R — Reserved.
						6	R — Reserved.
					I/O	7	FC7_RXD_SDA_MOSI_DATA — Flexcomm 7: USART receiver, I2C data I/O, SPI master-out/slave-in data, I2S data I/O.
						8	R — Reserved.
					O	9	PLU_OUT0 — PLU output 0.
					I/O	10	SEC_PIO0_27 — Secure GPIO pin.

Table 3. Pin description ...continued

Symbol	64 pin HTQFP	48 pin HVQFN		Reset state [1]	Type	Function #	Description
PIO0_28/ WAKEUP	44	-		Z	I/O	0	PIO0_28 — General-purpose digital input/output pin. This pin can trigger a wake-up from deep power-down mode. WAKEUP pin can be configured as rising or falling edge
					I/O	1	FC0_SCK — Flexcomm 0: USART, SPI, or I2S clock.
					I/O	2	R — Reserved.
					I	3	CTIMER_INP11 — Capture input to CTIMER input multiplexers.
					O	4	SCT0_OUT7 — SCTimer/PWM output 7.
						5	R — Reserved.
						6	R — Reserved.
						7	R — Reserved.
						8	R — Reserved.
					O	9	PLU_OUT1 — PLU output 1.
	I/O	10	SEC_PIO0_28 — Secure GPIO pin.				
PIO0_29	61	46	[2]	Z	I/O	0	PIO0_29 — General-purpose digital input/output pin. Remark: In ISP mode, this pin is set to the Flexcomm 0 USART RXD function.
					I/O	1	FC0_RXD_SDA_MOSI_DATA — Flexcomm 0: USART receiver, I2C data I/O, SPI master-out/slave-in data, I2S data I/O.
					I/O	2	R — Reserved.
					O	3	CTIMER2_MAT3 — 32-bit CTimer2 match output 3.
					O	4	SCT0_OUT8 — SCTimer/PWM output 8.
						5	R — Reserved.
						6	R — Reserved.
					O	7	CMP0_OUT — Analog comparator 0 output.
						8	R — Reserved.
					O	9	PLU_OUT2 — PLU output 2.
	I/O	10	SEC_PIO0_29 — Secure GPIO pin.				

Table 3. Pin description ...continued

Symbol	64 pin HTQFP	48 pin HVQFN		Reset state [1]	Type	Function #	Description
PIO0_30	63	47	[2]	Z	I/O	0	PIO0_30 — General-purpose digital input/output pin. Remark: In ISP mode, this pin is set to the Flexcomm 0 USART TXD function.
					I/O	1	FC0_TXD_SCL_MISO_WS — Flexcomm 0: USART transmitter, I2C clock, SPI master-in/slave-out data I/O, I2S word-select/frame.
					I/O	2	R — Reserved.
					O	3	CTIMER0_MAT0 — 32-bit CTimer0 match output 0.
					O	4	SCT0_OUT9 — SCTimer/PWM output 9.
						5	R — Reserved.
						6	R — Reserved.
						7	R — Reserved.
						8	R — Reserved.
						9	R — Reserved.
					I/O	10	SEC_PIO0_30 — Secure GPIO pin.
PIO0_31/ ADC0_3	15	-	[4]	Z	I/O; AI	0	PIO0_31/ADC0_3 — General-purpose digital input/output pin. ADC input channel 3 if the DIGIMODE bit is set to 0 and ANAMODE is set to 1 in the IOCON register for this pin.
					I/O	1	FC0_CTS_SDA_SSEL0 — Flexcomm 0: USART clear-to-send, I2C data I/O, SPI Slave Select 0.
					I/O	2	R — Reserved.
					O	3	CTIMER0_MAT1 — 32-bit CTimer0 match output 1.
					O	4	SCT0_OUT3 — SCTimer/PWM output 3.
						5	R — Reserved.
						6	R — Reserved.
						7	R — Reserved.
						8	R — Reserved.
						9	R — Reserved.
					I/O	10	SEC_PIO0_31 — Secure GPIO pin.

Table 3. Pin description ...continued

Symbol	64 pin HTQFP	48 pin HVQFN		Reset state [1]	Type	Function #	Description
PIO1_0/ ADC0_11	4	1	[4]	Z	I/O; AI	0	PIO1_0/ADC0_11 — General-purpose digital input/output pin. ADC input channel 11 if the DIGIMODE bit is set to 0 and ANAMODE is set to 1 in the IOCON register for this pin.
					I/O	1	FC0_RTS_SCL_SSEL1 — Flexcomm 0: USART request-to-send, I2C clock, SPI slave select 1.
					I/O	2	R — Reserved.
					I	3	CTIMER_INP2 — Capture input to CTIMER input multiplexers.
					I	4	SCT0_GPI4 — Pin input 4 to SCTimer/PWM.
						5	R — Reserved.
						6	R — Reserved.
						7	R — Reserved.
						8	R — Reserved.
						O	9
PIO1_1/ WAKEUP	39	29		Z	I/O	0	PIO1_1 — General-purpose digital input/output pin. This pin can trigger a wake-up from deep power-down mode. WAKEUP pin can be configured as rising or falling edge Remark: In ISP mode, this pin is set to the High Speed SPI SSEL1 function (Flexcomm 8)
					I/O	1	FC3_RXD_SDA_MOSI_DATA — Flexcomm 3: USART receiver, I2C data I/O, SPI master-out/slave-in data, I2S data I/O.
						2	R — Reserved.
					I	3	CTIMER_INP3 — Capture input to CTIMER input multiplexers.
					I	4	SCT0_GPI5 — Pin input 5 to SCTimer/PWM.
					I/O	5	HS_SPI_SSEL1 — Slave Select 1 for high speed SPI.
						6	R — Reserved.
					I	7	R — Reserved.
						8	R — Reserved.
	O	9	PLU_OUT4 — PLU output 4.				

Table 3. Pin description ...continued

Symbol	64 pin HTQFP	48 pin HVQFN		Reset state [1]	Type	Function #	Description
PIO1_2	41	31		Z	I/O	0	PIO1_2 — General-purpose digital input/output pin. Remark: In ISP mode, this pin is set to the High Speed SPI SCK function (Flexcomm 8).
					O	1	CAN0_TD — Transmitter output for CAN 0.
						2	R — Reserved.
					O	3	CTIMER0_MAT3 — 32-bit CTimer0 match output 3.
					I	4	SCT0_GPI6 — Pin input 6 to SCTimer/PWM.
						5	R — Reserved.
					I/O	6	HS_SPI_SCK — Clock for high speed SPI.
						7	R — Reserved.
						8	R — Reserved.
					O	9	PLU_OUT5 — PLU output 5.
PIO1_3	42	32		Z	I/O	0	PIO1_3 — General-purpose digital input/output pin. Remark: In ISP mode, this pin is set to the High Speed SPI MISO function (Flexcomm 8).
					I	1	CAN0_RD — Receiver input for CAN 0.
						2	R — Reserved.
						3	R — Reserved.
					O	4	SCT0_OUT4 — SCTimer/PWM output 4.
						5	R — Reserved.
					I/O	6	HS_SPI_MISO — Master-in/slave-out data for high speed SPI.
						7	R — Reserved.
						8	R — Reserved.
					O	9	PLU_OUT6 — PLU output 6.
PIO1_4	64	48	[2]	Z	I/O	0	PIO1_4 — General-purpose digital input/output pin.
					I/O	1	FC0_SCK — Flexcomm 0: USART, SPI, or I2S clock.
					I/O	2	R — Reserved.
					O	3	CTIMER2_MAT1 — 32-bit CTimer2 match output 1.
					O	4	SCT0_OUT0 — SCTimer/PWM output 0.
					I	5	FREQME_GPIO_CLK_A — Frequency Measure pin clock input A.
PIO1_5	22	18	[2]	Z	I/O	0	PIO1_5 — General-purpose digital input/output pin.
					I/O	1	FC0_RXD_SDA_MOSI_DATA — Flexcomm 0: USART receiver, I2C data I/O, SPI master-out/slave-in data, I2S data I/O.
					I/O	2	R — Reserved.
					O	3	CTIMER2_MAT0 — 32-bit CTimer2 match output 0.
					I	4	SCT0_GPIO — Pin input 0 to SCTimer/PWM.

Table 3. Pin description ...continued

Symbol	64 pin HTQFP	48 pin HVQFN		Reset state [1]	Type	Function #	Description	
PIO1_9/ ADC0_12	3	-	[4]	Z	I/O; AI	0	PIO1_9/ADC0_12 — General-purpose digital input/output pin. ADC input channel 12 if the DIGIMODE bit is set to 0 and ANAMODE is set to 1 in the IOCON register for this pin.	
						1	R — Reserved.	
						I/O	2	FC1_SCK — Flexcomm 1: USART, SPI, or I2S clock.
						I	3	CTIMER_INP4 — Capture input to CTIMER input multiplexers.
						O	4	SCT0_OUT2 — SCTimer/PWM output 2.
						I/O	5	FC4_CTS_SDA_SSELO — Flexcomm 4: USART clear-to-send, I2C data I/O, SPI Slave Select 0.
							6	R — Reserved.
							7	R — Reserved.
PIO1_10	25	-	[2]	Z	I/O	0	PIO1_10 — General-purpose digital input/output pin.	
						1	R — Reserved.	
						I/O	2	FC1_RXD_SDA_MOSI_DATA — Flexcomm 1: USART receiver, I2C data I/O, SPI master-out/slave-in data, I2S data I/O.
						O	3	CTIMER1_MAT0 — 32-bit CTimer1 match output 0.
						O	4	SCT0_OUT3 — SCTimer/PWM output 3.
							5	R — Reserved.
							6	R — Reserved.
							7	R — Reserved.
PIO1_11	62	-		Z	I/O	0	PIO1_11 — General-purpose digital input/output pin.	
						1	R — Reserved.	
						I/O	2	FC1_TXD_SCL_MISO_WS — Flexcomm 1: USART transmitter, I2C clock, SPI master-in/slave-out data I/O, I2S word-select/frame.
						I	3	CTIMER_INP5 — Capture input to CTIMER input multiplexers.
							4	R — Reserved.
							5	R — Reserved.
							6	R — Reserved.
							7	R — Reserved.
	8	R — Reserved.						

Table 3. Pin description ...continued

Symbol	64 pin HTQFP	48 pin HVQFN		Reset state [1]	Type	Function #	Description
PIO1_21	21	17	[2]	Z	I/O	0	PIO1_21 — General-purpose digital input/output pin.
					I/O	1	FC7_CTS_SDA_SSEL0 — Flexcomm 7: USART clear-to-send, I2C data I/O, SPI Slave Select 0.
						2	R — Reserved.
					O	3	CTIMER3_MAT2 — 32-bit CTimer3 match output 2.
						4	R — Reserved.
					I/O	5	FC4_RXD_SDA_MOSI_DATA — Flexcomm 4: USART receiver, I2C data I/O, SPI master-out/slave-in data, I2S data I/O.
						6	R — Reserved.
					O	7	PLU_OUT3 — PLU output 3.
						8	R — Reserved.
PIO1_22	26	-	[2]	Z	I/O	0	PIO1_22 — General-purpose digital input/output pin.
						1	R — Reserved.
					I/O	2	R — Reserved.
					O	3	CTIMER2_MAT3 — 32-bit CTimer2 match output 3.
					I	4	SCT0_GPI5 — Pin input 5 to SCTimer/PWM.
					I/O	5	FC4_SSEL3 — Flexcomm 4: SPI slave select 3.
						6	R — Reserved.
					O	7	PLU_OUT4 — PLU output 4.
I	9	CAN0_RD — Receiver input for CAN 0.					
PIO1_23	27	-	[2]	Z	I/O	0	PIO1_23 — General-purpose digital input/output pin.
					I/O	1	FC2_SCK — Flexcomm 2: USART, SPI, or I2S clock.
					O	2	SCT0_OUT0 — SCTimer/PWM output 0.
					I/O	3	R — Reserved.
						4	R — Reserved.
					I/O	5	FC3_SSEL2 — Flexcomm 3: SPI slave select 2.
						6	R — Reserved.
					O	7	PLU_OUT5 — PLU output 5.
					8	R — Reserved.	

Table 3. Pin description ...continued

Symbol	64 pin HTQFP	48 pin HVQFN		Reset state [1]	Type	Function #	Description
PIO1_25	50	-	[2]	Z	I/O	0	PIO1_25 — General-purpose digital input/output pin.
					I/O	1	FC2_TXD_SCL_MISO_WS — Flexcomm 2: USART transmitter, I2C clock, SPI master-in/slave-out data I/O, I2S word-select/frame.
					O	2	SCT0_OUT2 — SCTimer/PWM output 2.
					I/O	3	R — Reserved.
					I	4	UTICK_CAP0 — Micro-tick timer capture input 0.
						5	R — Reserved.
						6	R — Reserved.
					I	7	PLU_CLKIN — PLU clock input. Maximum Frequency on PLU clock input is 25 MHz.
PIO1_29	53	-	[2]	Z	I/O	0	PIO1_29 — General-purpose digital input/output pin.
					I/O	1	FC7_RXD_SDA_MOSI_DATA — Flexcomm 7: USART receiver, I2C data I/O, SPI master-out/slave-in data, I2S data I/O.
					I/O	2	R — Reserved.
					I	3	SCT0_GPI6 — Pin input 6 to SCTimer/PWM.
						4	R — Reserved.
						5	R — Reserved.
						6	R — Reserved.
					I	7	PLU_INPUT2 — PLU input 2.
FB	29	21		-	-		Feedback node (regulated output) of DCDC converter.
LX	31	23		-	-		DCDC converter power stage output.
RESETN	23	19	[5]	-	I		External reset input: A LOW on this pin resets the device, causing I/O ports and peripherals to take on their default states, and the boot code to execute. Wakes up the part from deep power-down mode.
VBAT_DCDC	32	24	[8]	-	-		Supply of DCDC output stage. DCDC core supply (references and regulation stages).
VBAT_PMU	33	25	[8]	-	-		Analog supply.
VDD	8; 16; 28; 43; 56	5; 12; 33; 42		-	-		Single 1.8 V to 3.6 V power supply powers I/Os.
VDD_PMU	24	20		-	-		Core supply. For applications with DCDC converter, VDD_PMU and FB are tied at PCB level.
VDDA	9	6		-	-		Analog supply voltage. At PCB level, has to be tied to main supply (VBAT_PMU, VBAT_DCDC)
VREFP	10	7		-	-		ADC positive reference voltage.
VSS	exposed pad	exposed pad	exposed pad	-	-		Ground.

Table 3. Pin description ...continued

Symbol	64 pin HTQFP	48 pin HVQFN		Reset state [1]	Type	Function #	Description
VSS_DCDC	30	22		-	-		Star ground connection is managed to PCB ground plane.
VSSA	11	8		-	-		Analog ground. ADC negative reference voltage.
XTAL32K_N	35	27	[10]	-	-		RTC oscillator output.
XTAL32K_P	34	26	[10]	-	-		RTC oscillator input.
XTAL32M_N	19	15	[7]	-	-		Main oscillator output.
XTAL32M_P	20	16	[7]	-	-		Main oscillator input.

- [1] PU = input mode, pull-up enabled (pull-up resistor pulls pin up towards V_{DD}). PD = input mode, pull-down enabled (pull-down resistor pulls pin down towards V_{SS}). Z = high impedance; pull-up, pull-down, and input disabled. AI = analog input. I = input. O = output. I/O = input/output. Reset state reflects the pin state at reset without boot code operation. For termination on unused pins, see [Section 6.2.1 "Termination of unused pins"](#).
- [2] Pad provides digital I/O functions with TTL levels and hysteresis; normal drive strength.
- [3] True open-drain pin. I2C-bus pins compliant with the I2C-bus specification for I2C standard mode, I2C Fast-mode, and I2C Fast-mode Plus. The pin requires an external pull-up to provide output functionality. When power is switched off, this pin is floating and does not disturb the I2C lines. Open-drain configuration applies to all functions on this pin. Includes a filter that can be selectively disabled by setting the FILTEROFF bit. The filter suppresses input pulses smaller than about 3 ns in GPIO mode and smaller than about 3 ns in GPIO mode and smaller than 10 ns or 50 ns in I2C mode, depending on the value of I2CFILTER field
- [4] Pin providing standard digital I/O functions with configurable modes, configurable hysteresis, and analog input. When configured as an analog input, the digital section of the pin is disabled.
- [5] Reset pad with glitch filter and hysteresis. Pulse width of spikes or glitches suppressed by input filter is from 3 ns to 20 ns (simulated value)
- [6] Transparent analog pad.
- [7] Optional bypass mode is supported, xtal32M_P can be driven by an external clock with restrictions in terms of drive level. See: [Section 13 "Application information"](#).
- [8] Main battery supply: Star connection at application level (PCB).
- [9] The JTAG functions TRST, TCK, TMS, TDI, and TDO are selected by hardware when the part is in boundary scan mode. The JTAG functions cannot be used for debug mode.
- [10] Optional bypass mode is supported, xtal32K_P can be driven by an external clock with restrictions in terms of drive level See: [Section 13 "Application information"](#).

6.2.1 Termination of unused pins

Table 4 shows how to terminate pins that are **not** used in the application. In many cases, unused pins should be connected externally or configured correctly by software to minimize the overall power consumption of the part.

Unused pins with GPIO function should be configured as outputs set to LOW with their internal pull-up disabled. To configure a GPIO pin as output and drive it LOW, select the GPIO function in the IOCON register, select output in the GPIO DIR register, and write a 0 to the GPIO PORT register for that pin. Disable the pull-up in the pin's IOCON register.

In addition, it is recommended to configure all GPIO pins that are not bonded out on smaller packages as outputs driven LOW with their internal pull-up disabled.

Table 4. Termination of unused pins

Pin	Default state ^[1]	Recommended termination of unused pins
RESET	I; PU	The RESET pin can be left unconnected if the application does not use it.
all PION_m (not open-drain)	I; PU	Can be left unconnected if driven LOW and configured as GPIO output with pull-up or pull-down disabled by software.
PION_m (I2C open-drain)	IA	Can be left unconnected if driven LOW and configured as GPIO output by software.
XTAL32K_P	-	Connect to ground. When grounded, the RTC oscillator is disabled.
XTAL32K_N	-	Can be left unconnected.
XTAL32M_P	-	Connect to ground. When grounded, the RTC oscillator is disabled.
XTAL32M_N	-	Can be left unconnected.
VREFP	-	Tie to VBAT_DCDC.
VDDA	-	Tie to VBAT_DCDC.
VSSA	-	Tie to VSS.

[1] I = Input, IA = Inactive (no pull-up/pull-down enabled), PU = Pull-Up enabled

6.2.2 Using Internal DC-DC converter

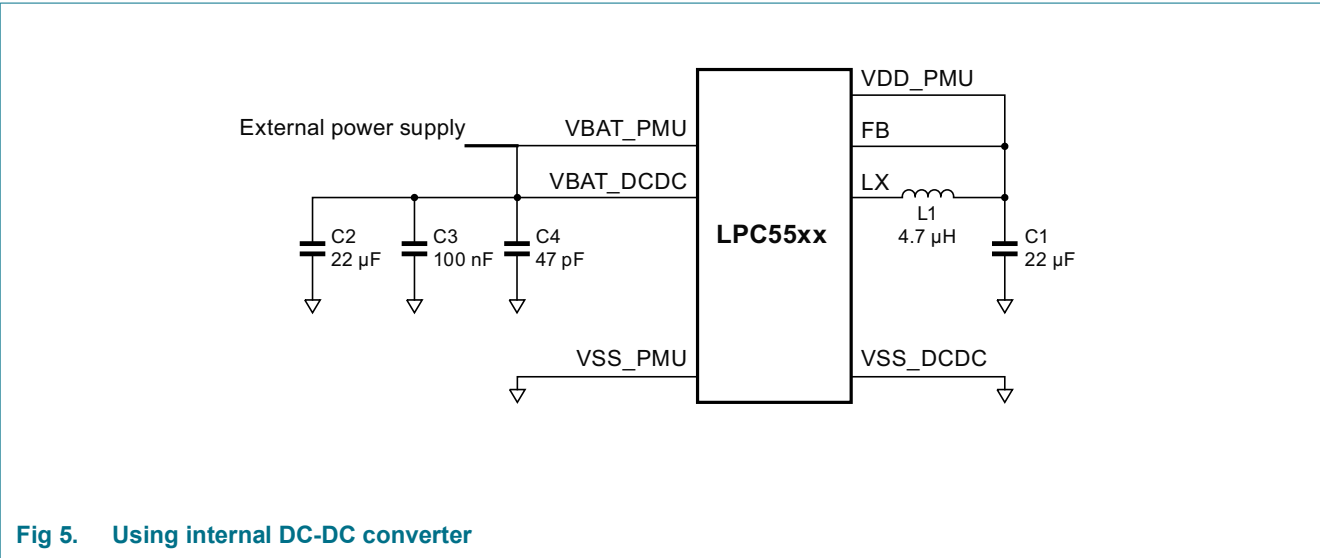


Fig 5. Using internal DC-DC converter

7. Functional description

7.1 Architectural overview

The Arm Cortex M33 includes two AHB-Lite buses, one system bus and one code and bus. The Code AHB (C-AHB) interface is used for any instruction fetch and data access to the Code region of the ARMv8-M memory map ([0x00000000 - 0x1FFFFFFF]). The System AHB (S-AHB) interface is used for instruction fetch and data access to all other regions of the ARMv8-M memory map ([0x20000000 - 0xFFFFFFFF]).

The LPC55S0x/LPC550x uses a multi-layer AHB matrix to connect the ARM Cortex-M33 buses and other bus masters to peripherals in a flexible manner that optimizes performance by allowing peripherals that are on different slave ports of the matrix to be accessed simultaneously by different bus masters. [Figure 2 “LPC55S0x/LPC550x Block diagram”](#) shows details of the available matrix connections.

7.2 Arm Cortex-M33 processor

The ARM Cortex-M33 is based on the ARMv8-M architecture that offers systems enhancements, such as ARM TrustZone® security, single-cycle digital signal processing, low power consumption, enhanced debug features, and a high level of support block integration. The ARM Cortex-M33 CPU employs a 7-stage instruction pipe and includes an internal prefetch unit that supports speculative branching. A hardware floating-point processor is integrated into the core. On the LPC55S0x/LPC550x, the Cortex-M33 is augmented with two hardware co-processors providing accelerated support for additional DSP algorithms and cryptography.

The Arm Cortex M33 provides a security foundation, offering isolation to protect valuable IP and data with TrustZone technology. It simplifies the design and software development of digital signal control systems with the integrated digital signal processing (DSP) instructions.

7.3 Arm Cortex-M33 integrated Floating Point Unit (FPU)

The FPU fully supports single-precision add, subtract, multiply, divide, multiply and accumulate, and square root operations. It also provides conversions between fixed-point and floating-point data formats, and floating-point constant instructions.

The FPU provides floating-point computation functionality that is compliant with the ANSI/IEEE Std 754-2008, IEEE Standard for Binary Floating-Point Arithmetic, referred to as the IEEE 754 standard.

7.4 Memory Protection Unit (MPU)

The Cortex-M33 includes a Memory Protection Unit (MPU) which can be used to improve the reliability of an embedded system by protecting critical data within the user application.

The MPU allows separating processing tasks by disallowing access to each other's data, disabling access to memory regions, allowing memory regions to be defined as read-only and detecting unexpected memory accesses that could potentially break the system.

The MPU separates the memory into distinct regions and implements protection by preventing disallowed accesses. The MPU supports up to eight regions each of which can be divided into eight subregions. Accesses to memory locations that are not defined in the MPU regions, or not permitted by the region setting, will cause the Memory Management Fault exception to take place.

7.5 Nested Vectored Interrupt Controller (NVIC) for Cortex-M33

The NVIC is an integral part of the Cortex-M33. The tight coupling to the CPU allows for low interrupt latency and efficient processing of late arriving interrupts.

7.5.1 Features

- Controls system exceptions and peripheral interrupts.
- 60 vectored interrupts.
- Eight programmable interrupt priority levels, with hardware priority level masking.
- Relocatable vector table using Vector Table Offset Register (VTOR).
- Non-Maskable Interrupt (NMI).
- Software interrupt generation.

7.5.2 Interrupt sources

Each peripheral device has one interrupt line connected to the NVIC but may have several interrupt flags.

7.6 System Tick timer (SysTick)

The ARM Cortex-M33 core include a system tick timer (SysTick) that is intended to generate a dedicated SYSTICK exception. The clock source for the SysTick can be the system clock or the SYSTICK clock.

7.7 On-chip static RAM

The LPC55S0x/LPC550x support up to 96 KB SRAM with separate bus master access for higher throughput and individual power control for low-power operation.

7.8 On-chip flash

The LPC55S0x/LPC550x supports up to 256 kB of on-chip flash memory. The last 17 pages (12 KB) are reserved on the 256 KB flash devices resulting in 244 KB internal flash memory.

7.9 On-chip ROM

The on-chip ROM contains the bootloader and the following features:

- Booting of images from on-chip flash.
- Supports CRC32 image integrity checking.
- Supports flash programming through In System Programming (ISP) commands over following interfaces: UART interface (Flexcomm 0) with auto baud, SPI slave interfaces (Flexcomm 3 or 8) using mode 3 (CPOL = 1 and CPHA = 1), and I2C slave interface (Flexcomm 1)

- ROM API functions: Flash programming API, Power control API, and Secure firmware update API using NXP Secure Boot file format, version 2.0 (SB2 files).
- Supports booting of images from PRINCE encrypted flash region.
- Supports NXP Debug Authentication Protocol version 1.0 (RSA-2048) and 1.1 (RSA-4096)
- Supports setting a sealed part to Fault Analysis mode through Debug authentication.

The on-chip ROM supports the following secure boot features:

- Uses RSASSA-PKCS1-v1_5 signature of SHA256 digest as cryptographic signature verification
- Supports RSA-2048 bit public keys (2048 bit modulus, 32-bit exponent)
- Supports RSA-4096 bit public keys (4096 bit modulus, 32-bit exponent)
- Uses x509 certificate format to validate image public keys
- Supports up to four revocable Root of Trust (or Certificate Authority) keys, Root of Trust (RoT) establishment by storing the SHA-256 hash digest of the hashes of four RoT public keys in protected flash region (PFR)
- Supports anti-rollback feature using image key revocation and supports up to 16 Image key certificates revocations using Serial Number field in x509 certificate.
- Supports Device Identifier Composition Engine (DICE) Specification (version Family 2.0, Level 00 Revision 69) specified by Trusted Computing Group.

7.10 Protected Flash Region (PFR)

The protected flash region is available to configure secure boot, debug authentication, read UUID, store PUF in key store area, and user defined fields available for specific data storage.

7.11 Memory mapping

7.12 AHB multilayer matrix

The LPC55S0x/LPC550x uses a multi-layer AHB matrix to connect the CPU buses and other bus masters to peripherals in a flexible manner that optimizes performance by allowing peripherals that are on different slave ports of the matrix to be accessed simultaneously by different bus masters. The device block diagram in [Figure 2](#) shows details of the available matrix connections.

7.13 Memory Protection Unit (MPU)

CPU has a memory protection unit (MPU) that provides fine grain memory control, enabling applications to implement security privilege levels, separating code, data and stack on a task-by-task basis. Such requirements are critical in many embedded applications.

The MPU register interface is located on the CPU private peripheral bus and is described in detail in Ref 1 “Cortex-M33 DEBUG”

7.14 TrustZone and system mapping on this device

The implementation of ARM TrustZone for CPU involves using address bit 28 to divide the address space into potential secure and non-secure regions. Address bit 28 is not decoded in memory access hardware, so each physical location appears in two places on whatever bus they are located on. Other hardware determines which kinds of accesses (including non-secure callable) are actually allowed for any particular address.

[Table 5](#) shows the overall mapping of the code and data buses for secure and non-secure accesses to various device resources.

Remark: In the peripheral description chapters of this manual, only the native (non-secure) base address is noted, secure base addresses can be found in this chapter or created by setting bit 28 in the address as needed.

Table 5. TrustZone and system general mapping

Start address	End address	TrustZone	CPU bus	CM-33 usage
0x0000 0000	0x0FFF FFFF	Non-secure	Code	Flash memory, Boot ROM, SRAM X.
0x1000 0000	0x1FFF FFFF	Secure	Code	Same as above.
0x2000 0000	0x2FFF FFFF	Non-secure	Data	SRAM 0, SRAM 1, SRAM 2
0x3000 0000	0x3FFF FFFF	Secure	Data	Same as above.
0x4000 0000	0x4FFF FFFF	Non-secure	Data	AHB and APB peripherals.
0x5000 0000	0x5FFF FFFF	Secure	Data	Same as above.

[1] The size shown for peripherals spaces indicates the space allocated in the memory map, not the actual space used by the peripheral or memory.

[2] Selected areas of secure regions may be marked as non-secure callable.

7.15 Links to specific memory map descriptions and tables:

- [Section 7.16 “Memory map overview”](#)
- [Section 7.17 “APB peripherals”](#)
- [Section 7.18 “AHB peripherals”](#)

7.16 Memory map overview

[Table 6](#) gives a more detailed memory map as seen by the Cortex-M33. The purpose of the four address spaces for the shared RAMs is outlined at the beginning of this chapter. The details of which shared RAM regions are on which AHB matrix slave ports can be seen here.

Table 6. Memory map overview

AHB port	Non-secure start address	Non-secure end address	Secure start address	Secure end address	Function ^[1]
0	0x0000 0000	0x0003 FFFF	0x1000 0000	0x1003 FFFF	Flash memory, on CM33 code bus. The last 17 pages (12 KB) are reserved on the 256 KB flash devices resulting in 244 KB internal flash memory.
	0x0300 0000	0x0301 FFFF	0x1300 0000	0x1301 FFFF	Boot ROM, on CM33 code bus.
1	0x0400 0000	0x0400 3FFF	0x1400 0000	0x1400 3FFF	SRAM X on CM33 code bus, 16 KB. SRAMX_0 (0x1400 0000 to 0x1400 0FFF) and SRAMX_1 (0x1400 1000 to 0x1400 1FFF) are used for Casper (total 8 KB). If CPU retention used in power-down mode, SRAMX_2 (0x1400 2000 to 0x1400 25FF) is used (total 1.5 KB) by default in power API and this is user configurable within SRAMX_2 and SRAMX_3.
2	0x2000 0000	0x2000 7FFF	0x3000 0000	0x3000 7FFF	SRAM 0 on CM33 data bus, 32 KB.
3	0x2000 8000	0x2000 BFFF	0x3000 8000	0x3000 BFFF	SRAM 1 on CM33 data bus, 16 KB.
4	0x2000 C000	0x2000 FFFF	0x3000 C000	0x3000 FFFF	SRAM 2 on CM33 data bus, 16 KB.
5	0x2001 0000	0x2001 3FFF	0x3001 0000	0x3001 3FFF	SRAM 3, 16 KB.
6	0x4000 0000	0x4001 FFFF	0x5000 0000	0x5001 FFFF	AHB to APB bridge 0. See Section 7.17 .
	0x4002 0000	0x4003 FFFF	0x5002 0000	0x5003 FFFF	AHB to APB bridge 1. See Section 7.17 .
7	0x4008 0000	0x4008 FFFF	0x5008 0000	0x5008 FFFF	AHB peripherals. See Section 7.18 .
8	0x4009 0000	0x4009 FFFF	0x5009 0000	0x5009 FFFF	AHB peripherals. See Section 7.18 .
9	0x400A 0000	0x400A FFFF	0x500A 0000	0x500A FFFF	AHB peripherals. See Section 7.18 .

[1] Gaps between AHB matrix slave ports are not shown.

7.17 APB peripherals

[Table 7](#) provides details of the addresses for APB peripherals. APB peripherals have both secure and non-secure access possibilities.

Table 7. APB peripherals memory map

APB bridge	Non-secure base address	Secure base address	Peripheral
0	0x4000 0000	0x5000 0000	Syscon.
	0x4000 1000	0x5000 1000	IOCON. Pin function selection and pin control setup.
	0x4000 2000	0x5000 2000	Group GPIO input interrupt 0 (GINT0)
	0x4000 3000	0x5000 3000	Group GPIO input interrupt 1 (GINT1)
	0x4000 4000	0x5000 4000	Pin interrupt and pattern match (PINT)
	0x4000 5000	0x5000 5000	Secure pin interrupt and pattern match.
	0x4000 6000	0x5000 6000	Input multiplexing 0 (INPUTMUX) and frequency measure.
	0x4000 7000	0x5000 7000	Reserved.
	0x4000 8000	0x5000 8000	Standard counter/timer 0 (CT32B0)
	0x4000 9000	0x5000 9000	Standard counter/timer 1 (CT32B1)
	0x4000 C000	0x5000 C000	Windowed watchdog timer 0 (WWDT0)
	0x4000 D000	0x5000 D000	Multi-Rate Timer (MRT).
	0x4000 E000	0x5000 E000	Micro-tick timer (Utick).
	0x4001 0000	0x5001 0000	Analog comparator (ACMP0).
	0x4001 3000	0x5001 3000	Analog controls.
	0x4001 5000	0x5001 5000	Reserved.
	1	0x4002 3000	0x5002 3000
0x4002 8000		0x5002 8000	Standard counter/timer 2 (CT32B2)
0x4002 9000		0x5002 9000	Standard counter/timer 3 (CT32B3)
0x4002 A000		0x5002 A000	Standard counter/timer 4 (CT32B4)
0x4002 C000		0x5002 C000	RTC & Wake-up timer.
0x4002 D000		0x5002 D000	OS_Event Timer.
0x4003 4000		0x5003 4000	Flash controller.
0x4003 5000		0x5003 5000	PRINCE dynamic encrypt/decrypt
0x4003 8000		0x5003 8000	Reserved.
0x4003 A000		0x5003 A000	True Random Number Generator.
0x4003 B000		0x5003 B000	Physical Unclonable Function (PUF)
0x4003 D000		0x5003 D000	Programmable Logic Unit (PLU)

7.18 AHB peripherals

[Table 8](#) provides details of the addresses for AHB peripherals. AHB peripherals have both secure and non-secure access possibilities.

Table 8. AHB peripheral memory map

AHB port	Non-secure base address	Secure base address	Peripheral
7	0x4008 2000	0x5008 2000	DMA0 registers.
	0x4008 4000	0x5008 4000	Reserved.
	0x4008 5000	0x5008 5000	SCTimer/PWM.
	0x4008 6000	0x5008 6000	Flexcomm Interface 0.
	0x4008 7000	0x5008 7000	Flexcomm Interface 1.
	0x4008 8000	0x5008 8000	Flexcomm Interface 2.
	0x4008 9000	0x5008 9000	Flexcomm Interface 3.
	0x4008 A000	0x5008 A000	Flexcomm Interface 4.
	0x4008 B000	0x5008 B000	Reserved.
	0x4008 C000	0x5008 C000	High Speed GPIO.
8	0x4009 4000	0x5009 4000	Reserved.
	0x4009 5000	0x5009 5000	CRC Engine.
	0x4009 6000	0x5009 6000	Flexcomm Interface 5.
	0x4009 7000	0x5009 7000	Flexcomm Interface 6.
	0x4009 8000	0x5009 8000	Flexcomm Interface 7.
	0x4009 B000	0x5009 B000	Reserved
	0x4009 C000	0x5009 C000	Debug Mailbox (DM-AP).
	0x4009 F000	0x5009 F000	High Speed SPI.
9	0x400A 0000	0x500A 0000	ADC0.
	0x400A 1000	0x500A 1000	Code Watch Dog (CDOG).
	0x400A 2000	0x500A 2000	Reserved.
	0x400A 3000	0x500A 3000	Reserved.
	0x400A 4000	0x500A 4000	Hash-AES registers.
	0x400A 5000	0x500A 5000	Casper.
	0x400A 6000	0x500A 6000	Reserved
	0x400A 7000	0x500A 7000	DMA1 registers.
	0x400A 8000	0x500A 8000	Secure HS GPIO.
	0x400A C000	0x500A C000	Security Control registers.

7.19 RAM configuration

[Table 9](#) describes the RAM configuration.

Table 9. RAM Configuration

RAM Total	RAM-X (KB)	RAM0 (KB)	RAM1 (KB)	RAM2 (KB)	RAM 3 (KB)
96 KB devices	16	32	16	16	16
80 KB devices	16	32	16	16	-
48 KB devices	16	32	-	-	-

7.20 System control

7.20.1 Clock sources

The LPC55S0x/LPC550x supports 2 external and 3 internal clock sources:

- Internal Free Running Oscillator (FRO). This oscillator provides a selectable 96 MHz output, and a 12 MHz output (divided down from the selected higher frequency) that can be used as a system clock. The FRO is trimmed to +/- 1% accuracy over the entire voltage and 0 C to 85 C. The FRO is trimmed to +/- 2% accuracy over the entire voltage and -40 C to 105 C. The FRO 12 MHz oscillator provides the default clock at reset and provides a clean system clock shortly after the supply pins reach operating voltage.
- 32 kHz Internal Free Running Oscillator FRO. The FRO is trimmed to +/- 2% accuracy over the entire voltage and temperature range.
- Internal low power oscillator (FRO 1 MHz). The FRO is trimmed to +/- 15% accuracy over the entire voltage and temperature range.
- Crystal oscillator with an operating frequency of 16 MHz to 32 MHz. Option for external clock input (bypass mode) for clock frequencies of up to 25 MHz
- Crystal oscillator with 32.768 kHz operating frequency.
- Each crystal oscillator has one embedded capacitor bank, where each can be used as an integrated load capacitor for the crystal oscillators. Using APIs, the capacitor banks on each crystal pin can tune the frequency for crystals with a Capacitive Load (CL) leading to conserving board space and reducing costs. See: [Section 13 “Application information”](#).

7.20.2 PLL (PLL0 and PLL1)

PLL0 and PLL1 allows CPU operation up to the maximum CPU rate without the need for a high-frequency external clock. PLL0 and PLL1 can run from the internal FRO 12 MHz output, the external oscillator, internal FRO 1 MHz output, or the 32.768 kHz RTC oscillator.

The system PLL accepts an input clock frequency in the range of 2 kHz - 150 MHz. The input frequency is multiplied up to a high frequency with a Current Controlled Oscillator (CCO). The PLL can be enabled or disabled by software.

7.20.3 Clock generation

The system control block facilitates the clock generation. Many clocking variations are possible. [Figure 6](#) gives an overview of potential clock options. [Table 10](#) describes signals on the clocking diagram. The maximum clock frequency is 96 MHz.

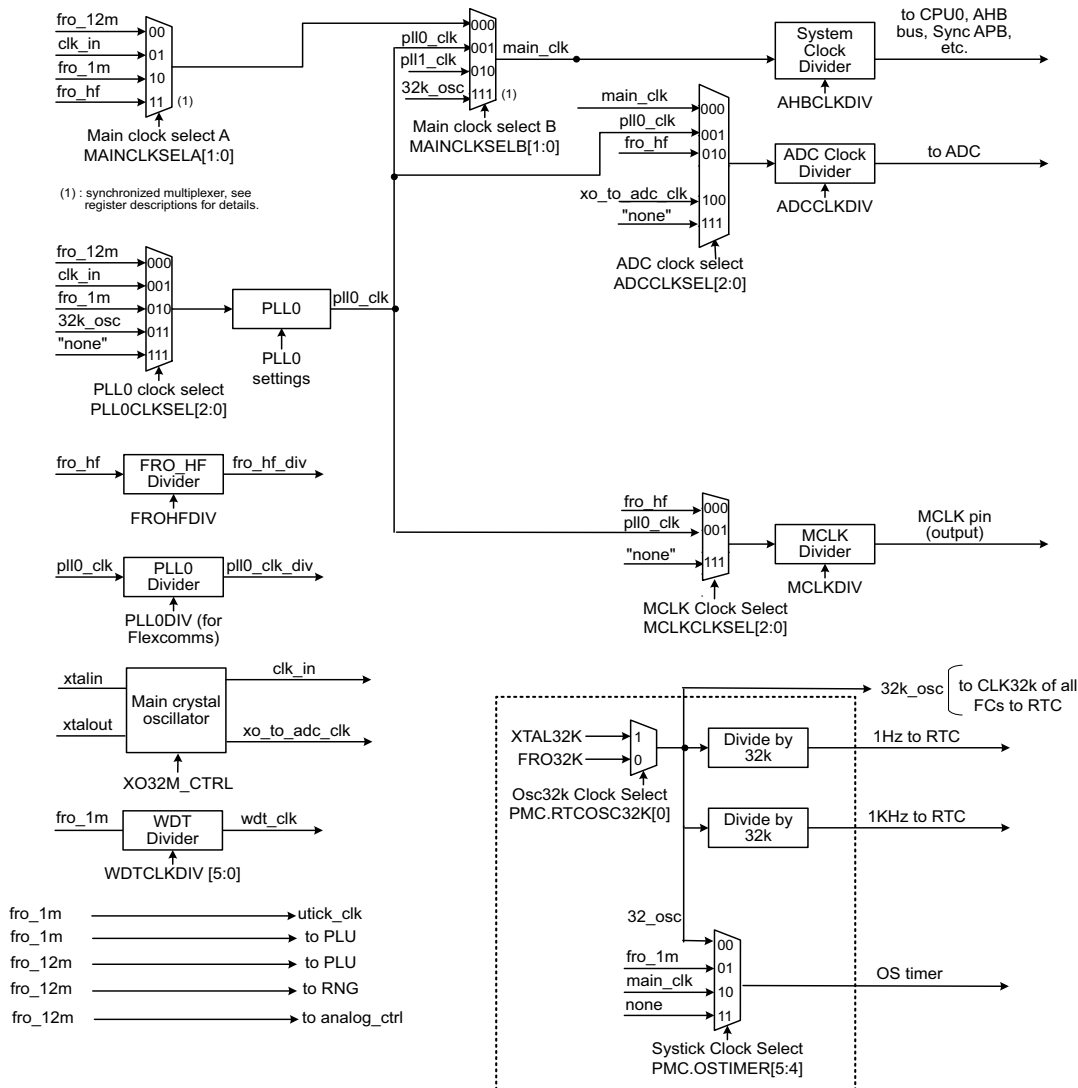
Remark: The indicated clock multiplexers shown in [Figure 6](#) are synchronized. In order to operate, the currently selected clock must be running, and the clock to be switched to must also be running. This is so that the multiplexer can gracefully switch between the two clocks without glitches. Other clock multiplexers are not synchronized. The output divider can be stopped and restarted gracefully during switching if a glitch-free output is needed.

The low-power oscillator provides a frequency in the range of 1 MHz. The accuracy of this clock is limited to +/- 15% over temperature, voltage, and silicon processing variations after trimming made during assembly. To determine the actual watchdog oscillator output, use the frequency measure block.

The part contains one system PLL that can be configured to use a number of clock inputs and produce an output clock in the range of 1.2 MHz up to the maximum chip frequency, and can be used to run most on-chip functions. The output of the PLL can be monitored through the CLKOUT pin.

Table 10. Clocking diagram signal name descriptions

Name	Description
32k_osc	The 32 kHz output of the RTC oscillator. The 32 kHz clock must be enabled in the RTCOSCCTRL register.
clk_in	This is the internal clock that comes from the external oscillator.
frg_clk	The output of each Fractional Rate Generator to Flexcomm clock. Each FRG and its source selection is shown in Figure 6 .
fro_12m	12 MHz divided down from the currently selected on-chip FRO oscillator.
fro_hf	The currently selected FRO high speed output at 96 MHz.
main_clk	The main clock used by the CPU and AHB bus, and potentially many others. The main clock and its source selection are shown in Figure 6 .
mclk_in	The MCLK input function, when it is connected to a pin by selecting it in the IOCON block.
pll0_clk	The output of the PLL0. The PLL0 and its source selection is shown in Figure 6 .
pll1_clk	The output of the PLL1. The PLL1 and its source selection is shown in Figure 6 .
fro_1m	The output of the low power oscillator.
"none"	A tied-off source that should be selected to save power when the output of the related multiplexer is not used.



181130

Fig 6. Clock generation (Part 1 of 2)

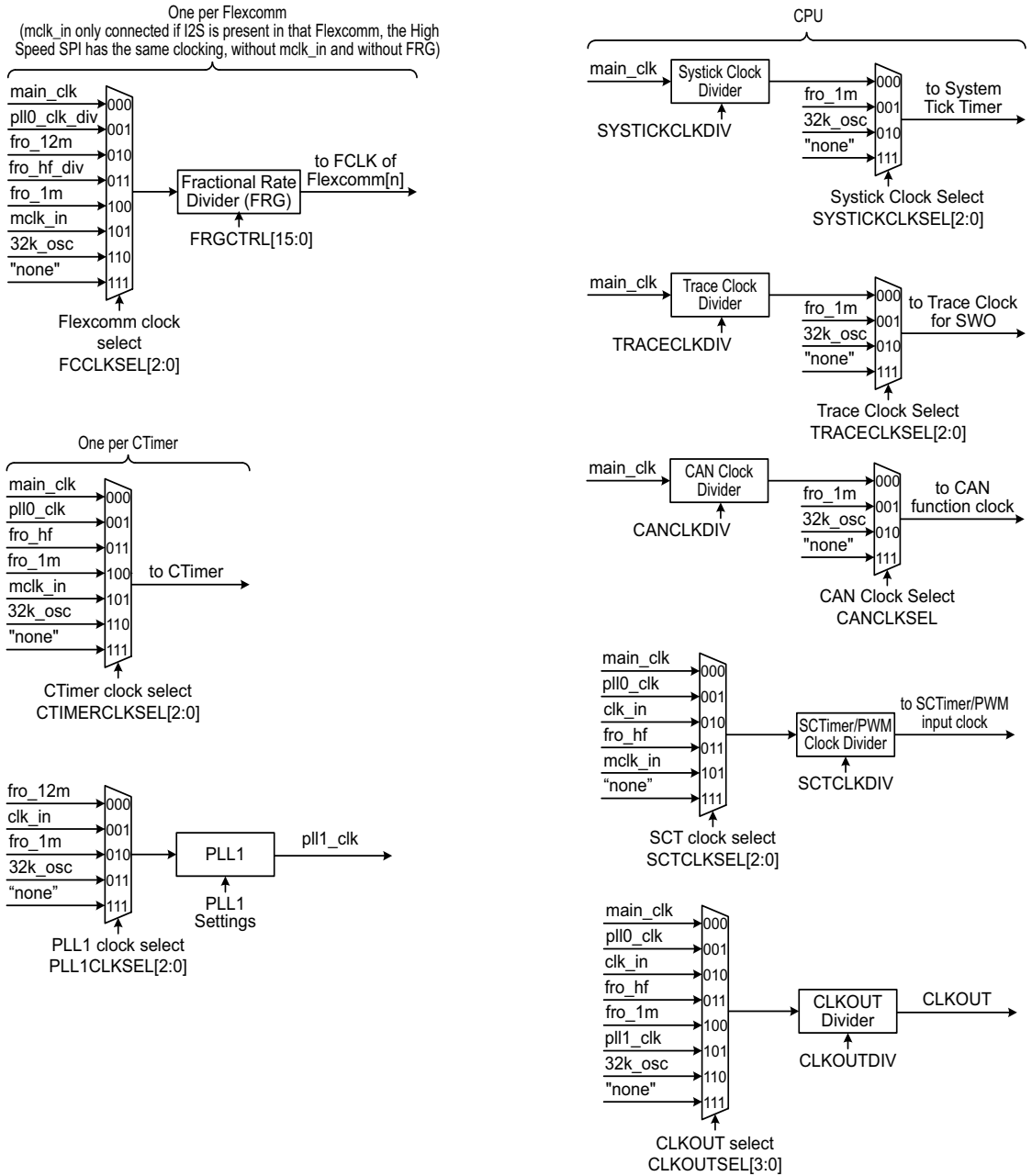


Fig 7. Clock generation (Part 2 of 2)

7.20.4 Brownout detection

The LPC55S0x/LPC550x includes one Brown-out detector to monitor the voltage of VBAT. If the voltage falls below one of the selected voltages, the BOD asserts an interrupt to the NVIC or issues a reset.

7.21 Power control

The LPC55S0x/LPC550x support a variety of power control features. In Active mode, when the chip is running, power and clocks to selected peripherals can be adjusted for power consumption. In addition, there are four special modes of processor power reduction with different peripherals running: sleep mode, deep-sleep mode, power-down mode, and deep power-down mode which can be activated by the power mode configure API.

7.21.1 Sleep mode

In sleep mode, the system clock to the CPU is stopped and execution of instructions is suspended until either a reset or interrupt occurs. Peripheral functions, if selected to be clocked can continue operation during sleep mode and may generate interrupts to cause the processor to resume execution. Sleep mode eliminates dynamic power used by the processor itself, memory systems and related controllers, internal buses, and unused peripherals.

7.21.2 Deep-sleep mode

In deep-sleep mode, the flash is powered down. The system clock to the CPU is stopped and if not configured, the peripherals receives no clocks. Through the power profiles API, selected peripherals such as Flexcomm interfaces 0 to 7 (SPI, I2C, USART, I2S), Flexcomm interface 8 (High Speed SPI), Micro-tick, WWDT, RTC, OSTimer, Standard Timers, comparator, and BOD can be left running in deep-sleep mode. Clock sources such as FRO 12 MHz, FRO 32 kHz, FRO 1 MHz, the 32.768 kHz RTC clock, and the external oscillator can be enabled or disabled via software.

The LPC55S0x/LPC550x can wake up from deep-sleep mode via a reset, digital pins selected as inputs to the pin interrupt block and group interrupt block, OS Timer, Standard Timers, Micro-tick, RTC alarm, a watchdog timer interrupt/reset, BOD interrupt/reset, an interrupt from the SPI, I2C, I2S, USART, comparator, and PLU. Some peripherals can have DMA service during deep-sleep mode without waking up entire device.

In deep-sleep mode, all SRAM, GPIO logic state, and registers maintain their internal states. All SRAM instances that are not configured to enter in 'retention state' will stay in active state. Deep-sleep mode allows for very low quiescent power and fast wake-up options.

7.21.3 Power-down mode

In power-down mode, nearly all on-chip power consumption is turned off by shutting down the internal DC-DC converter. The flash is powered down. The system clock to the CPU is stopped and if not configured, the peripherals receives no clocks. Through the power profiles API, selected peripherals such as Flexcomm interfaces 3 (SPI, I2C, USART, I2S), RTC, OS Timer, and comparator can be left running in power-down mode. Clock sources such as FRO 32 kHz, and the 32.768 kHz RTC clock can be enabled or disabled via software.

The LPC55S0x/LPC550x can wake up from power-down mode via a reset, digital pins selected as inputs to the group interrupt block, OS Timer, RTC alarm, an interrupt from the Flexcomm Interface 3 (SPI, I2C, I2S, USART), and comparator.

In power-down mode, the CPU processor state is retained to allow resumption of code execution when a wake-up event occurs.

All SRAM can be configured to maintain their internal state as long as it is configured to do so using power API call. The GPIO logic level does not remain static in power-down mode. All GPIO pin state will be logic '0' in power-down mode.

All IOCON registers and peripheral registers related ONLY to Flexcomm3 (SPI, I2C, I2S, USART), GINT00, RTC, OS Event timer, and analog comparator will maintain state in power-down mode.

7.21.4 Deep power-down mode

In deep power-down mode, power is shut off to the entire chip except for the RTC power domain, the RESET pin, Wake-up pins (up to two on HTQFP64 and one on HVQFN48), and the OS Timer if enabled. Clock sources such as FRO 32 kHz, and the 32.768 kHz RTC clock can be enabled or disabled via software. The LPC55S0x/LPC550x can wake up from deep power-down mode via the RESET pin, the RTC alarm, four special wake-up pins, or without an external signal, by using the time-out of the OS Timer. The ALARM1HZ flag in RTC control register generates an RTC wake-up interrupt request, which can wake up the part. SRAM can maintain their internal states. All SRAM instances that are not configured to enter in 'retention state' will enter in 'shutdown' state. In deep power-down mode all functional pins are in tri-state.

7.22 General Purpose I/O (GPIO)

The LPC55S0x/LPC550x provide GPIO ports 0 and 1 with a total of 64 GPIO pins.

Device pins that are not connected to a specific peripheral function are controlled by the GPIO registers. Pins may be dynamically configured as inputs or outputs. Separate registers allow setting or clearing any number of outputs simultaneously. The current level of a port pin can be read back no matter what peripheral is selected for that pin.

See [Table 3 "Pin description"](#) for the default state on reset.

7.22.1 Features

- Accelerated GPIO functions:
 - GPIO registers are located on the AHB so that the fastest possible I/O timing can be achieved.
 - Mask registers allow treating sets of port bits as a group, leaving other bits unchanged.
 - All GPIO registers are byte and half-word addressable.
 - Entire port value can be written in one instruction.
- Bit-level set, clear, and toggle registers allow a single instruction set, clear or toggle of any number of bits in one port.
- Direction control of individual bits.
- All I/O default to inputs after reset.

- All GPIO pins can be selected to create an edge or level-sensitive GPIO interrupt request.
- Two GPIO group interrupts can be triggered by a combination of any pin or pins to reflect two distinct interrupt patterns.
- The grouped interrupts can wake up the part from sleep, deep-sleep, and power-down modes.

7.23 Pin interrupt/pattern engine

The pin interrupt block configures up to eight pins from all digital pins for providing eight external interrupts connected to the NVIC. The pattern match engine can be used in conjunction with software to create complex state machines based on pin inputs. Any digital pin, independent of the function selected through the switch matrix can be configured through the SYSCON block as an input to the pin interrupt or pattern match engine. The registers that control the pin interrupt or pattern match engine are located on the I/O+ bus for fast single-cycle access.

7.23.1 Features

- Pin interrupts:
 - Up to eight pins can be selected from all GPIO pins on ports 0 and 1 as edge-sensitive or level-sensitive interrupt requests. Each request creates a separate interrupt in the NVIC.
 - Edge-sensitive interrupt pins can interrupt on rising or falling edges or both.
 - Level-sensitive interrupt pins can be HIGH-active or LOW-active.
 - Level-sensitive interrupt pins can be HIGH-active or LOW-active.
 - Pin interrupts can wake up the device from sleep mode, and deep-sleep mode.
- Pattern match engine:
 - Up to eight pins can be selected from all digital pins on ports 0 and 1 to contribute to a boolean expression. The boolean expression consists of specified levels and/or transitions on various combinations of these pins.
 - Each bit slice minterm (product term) comprising of the specified boolean expression can generate its own, dedicated interrupt request.
 - Any occurrence of a pattern match can also be programmed to generate an RXEV notification to the CPU. The RXEV signal can be connected to a pin.
 - Pattern match can be used in conjunction with software to create complex state machines based on pin inputs.
 - Pattern match engine facilitates wake-up only from active and sleep modes.

7.24 Communication peripherals

7.24.1 Flexcomm Interface serial communication

Each Flexcomm Interface provides a choice of peripheral functions, one of which must be chosen by the user before the function can be configured and used.

7.24.1.1 Features

- USART with asynchronous operation or synchronous master or slave operation.
- SPI master or slave with up to 4 slave selects.
- I²C, including separate master, slave, and monitor functions.
- Flexcomm interfaces 0 to 5 each provide one channel pair of I²S and Flexcomm interfaces 6 to 7 each provide four channel pairs of I²S.
- Data for USART, SPI, and I²S traffic uses the Flexcomm FIFO. The I²C function does not use the FIFO.

7.24.1.2 SPI serial I/O (SPIO) controller

Features

- Maximum supported bit rate for SPI master mode (transmit/receive) is 32 Mbit/s. The maximum supported bit rate for SPI slave receive mode is 25 Mbit/s and for SPI slave transmit mode is 16 Mbit/s.
- Master and slave operation.
- Data frames of 4 to 16 bits supported directly. Larger frames supported by software.
- The SPI function supports separate transmit and receive FIFOs with eight entries each.
- Supports DMA transfers: SPI transmit and receive functions can be operated with the system DMA controller.
- Data can be transmitted to a slave without the need to read incoming data. This can be useful while setting up an SPI memory.
- Up to Four Slave Select input/outputs with selectable polarity and flexible usage.

7.24.1.3 I²C-bus interface

The I²C-bus is bidirectional for inter-IC control using only two wires: a serial clock line (SCL) and a serial data line (SDA). Each device is recognized by a unique address and can operate as either a receiver-only device (for example, an LCD driver) or a transmitter with the capability to both receive and send information (such as memory). Transmitters and/or receivers can operate in either master or slave mode, depending on whether the chip has to initiate a data transfer or is only addressed. The I²C is a multi-master bus and can be controlled by more than one bus master connected to it.

Features

- Support standard, Fast-mode, and Fast-mode Plus (specific I²C pins) with data rates of up to 1 Mbit/s.
- Support high-speed slave mode with data rates of up to 3.4 Mbit/s (specific I²C pins).
- Independent Master, Slave, and Monitor functions.
- Supports both Multi-master and Multi-master with Slave functions.
- Multiple I²C slave addresses supported in hardware.
- One slave address can be selectively qualified with a bit mask or an address range in order to respond to multiple I²C-bus addresses.
- 10-bit addressing supported with software assist.

- Supports SMBus.
- Separate DMA requests for master, slave, and monitor functions.
- No chip clocks are required in order to receive and compare an address as a slave, so this event can wake-up the device from deep-sleep mode.
- Automatic modes optionally allow less software overhead for some use cases.

7.24.1.4 USART

Features

- Maximum bit rates of 10 Mbit/s in asynchronous mode and 25 Mbit/s in synchronous mode for USART functions.
- 7, 8, or 9 data bits and 1 or 2 stop bits.
- Synchronous mode with master or slave operation. Includes data phase selection and continuous clock option.
- Multiprocessor/multidrop (9-bit) mode with software address compare.
- RS-485 transceiver output enable.
- Autobaud mode for automatic baud rate detection
- Parity generation and checking: odd, even, or none.
- Software selectable oversampling from 5 to 16 clocks in asynchronous mode.
- One transmit and one receive data buffer.
- RTS/CTS for hardware signaling for automatic flow control. Software flow control can be performed using Delta CTS detect, Transmit Disable control, and any GPIO as an RTS output.
- Received data and status can optionally be read from a single register
- Break generation and detection.
- Receive data is 2 of 3 sample "voting". Status flag set when one sample differs.
- Built-in Baud Rate Generator with auto-baud function.
- A fractional rate divider is shared among all USARTs.
- Interrupts available for Receiver Ready, Transmitter Ready, Receiver Idle, change in receiver break detect, Framing error, Parity error, Overrun, Underrun, Delta CTS detect, and receiver sample noise detected.
- Loopback mode for testing of data and flow control.
- In synchronous slave mode, wakes up the part from deep-sleep and deep-sleep2 modes.
- Special operating mode allows operation at up to 9600 baud using the 32.768 kHz RTC oscillator as the UART clock. This mode can be used while the device is in deep-sleep and can wake-up the device when a character is received.
- USART transmit and receive functions work with the system DMA controller.
- The USART function supports separate transmit and receive FIFO with 16 entries each.

7.24.1.5 I²S-bus interface

The I²S bus provides a standard communication interface for streaming data transfer applications such as digital audio or data collection. The I²S bus specification defines a 3-wire serial bus with one data, one clock, and one word select/frame trigger signal, providing single or dual (mono or stereo) audio data transfer in addition to other configurations. Each Flexcomm Interface (0 to 5) implements one I²S channel pair and each Flexcomm Interface (6 to 7) implement four I²S channel pairs.

The I²S interface within one Flexcomm Interface provides one channel pair that can be configured as a master or a slave. Other channel pairs, if present, always operate as slaves. All of the channel pairs within one Flexcomm Interface share one set of I²S signals, and are configured together for either transmit or receive operation, using the same mode, same data configuration, and frame configuration. All such channel pairs can participate in a Time Division Multiplexing (TDM) arrangement. For cases requiring an MCLK input and/or output, this is handled outside of the I²S block in the system level clocking scheme.

Features

- A Flexcomm Interface can implement one or more I²S channel pairs, the first of which could be a master or a slave, and the rest would be slaves. All channel pairs are configured together for either transmit or receive and other shared attributes.
- Flexcomm interfaces 0 to 5 each provide one channel pair of I²S function. Other channel pairs, if present, always operate as slaves.
- Configurable data size for all channels within one Flexcomm Interface, from 4 bits to 32 bits. Each channel pair can also be configured independently to act as a single channel (mono as opposed to stereo operation).
- All channel pairs within one Flexcomm Interface share a single bit clock (SCK) and word select/frame trigger (WS), and data line (SDA).
- Data for all I²S traffic within one Flexcomm Interface uses the Flexcomm FIFO. The FIFO depth is 8 entries.
- Left justified and right justified data modes.
- DMA support using FIFO level triggering.
- TDM with a several stereo slots and/or mono slots is supported. Each channel pair can act as any data slot. Multiple channel pairs can participate as different slots on one TDM data line.
- The bit clock and WS can be selectively inverted.
- Sampling frequencies supported depends on the specific device configuration and applications constraints (For example, system clock frequency and PLL availability) but generally supports standard audio data rates.

7.24.2 High-speed SPI serial I/O controller

7.24.2.1 Features

- Master and slave operation.
- The maximum supported bit rate for SPI master mode (transmit/receive) and slave mode (transmit/receive) is 50 Mbit/s.
- Data frames of 4 to 16 bits supported directly. Larger frames supported by software.

- The SPI function supports separate transmit and receive FIFOs with eight entries each.
- Supports DMA transfers: SPI transmit and receive functions can be operated with the system DMA controller.
- Data can be transmitted to a slave without the need to read incoming data. This can be useful while setting up an SPI memory.
- Up to Four Slave Select input/outputs with selectable polarity and flexible usage.

7.25 CAN Flexible Data (CAN FD) interface

The LPC55S0x/LPC550x contains CAN FD interface.

7.25.1 Features

- Conforms with CAN protocol version 2.0 part A, B and ISO 11898-1.
- CAN FD with up to 64 data bytes supported.
- CAN Error Logging.
- AUTOSAR support.
- SAE J1939 support.
- Improved acceptance filtering.

7.26 Standard counter/timers (CT32B0 to 4)

The LPC55S0x/LPC550x includes five general-purpose 32-bit timer/counters.

The timer/counter is designed to count cycles of the system derived clock or an externally-supplied clock. It can optionally generate interrupts, generate timed DMA requests, or perform other actions at specified timer values, based on four match registers. Each timer/counter also includes two capture inputs to trap the timer value when an input signal transitions, optionally generating an interrupt.

7.26.1 Features

- A 32-bit timer/counter with a programmable 32-bit prescaler.
- Counter or timer operation.
- Up to four 32-bit capture channels per timer, that can take a snapshot of the timer value when an input signal transitions. A capture event may also generate an interrupt.
- The timer and prescaler may be configured to be cleared on a designated capture event. This feature permits easy pulse width measurement by clearing the timer on the leading edge of an input pulse and capturing the timer value on the trailing edge.
- Four 32-bit match registers that allow:
 - Continuous operation with optional interrupt generation on match.
 - Stop timer on match with optional interrupt generation.
 - Reset timer on match with optional interrupt generation.
- Up to four external outputs per timer corresponding to match registers with the following capabilities:

- Set LOW on match.
- Set HIGH on match.
- Toggle on match.
- Do nothing on match.
- Up to two match registers can be used to generate timed DMA requests.
- Up to 4 match registers can be configured for PWM operation, allowing up to 3 single edged controlled PWM outputs. WM mode using up to three match channels for PWM output.

7.26.2 SCTimer/PWM subsystem

The SCTimer/PWM is a flexible timer module capable of creating complex PWM waveforms and performing other advanced timing and control operations with minimal or no CPU intervention.

The SCTimer/PWM can operate as a single 32-bit counter or as two independent, 16-bit counters in uni-directional or bi-directional mode. It supports a selection of match registers against which the count value can be compared, and capture registers where the current count value can be recorded when some pre-defined condition is detected.

The SCTimer/PWM module supports multiple separate events that can be defined by the user based on some combination of parameters including a match on one of the match registers, and/or a transition on one of the SCTimer/PWM inputs or outputs, the direction of count, and other factors.

Every action that the SCTimer/PWM block can perform occurs in direct response to one of these user-defined events without any software overhead. Any event can be enabled to:

- Start, stop, or halt the counter.
- Limit the counter which means to clear the counter in unidirectional mode or change its direction in bi-directional mode.
- Set, clear, or toggle any SCTimer/PWM output.
- Force a capture of the count value into any capture registers.
- Generate an interrupt of DMA request.

7.26.2.1 Features

- The SCTimer/PWM Supports:
 - Eight inputs.
 - Ten outputs.
 - Sixteen match/capture registers.
 - Sixteen events.
 - Thirty two states.
- Counter/timer features:
 - Each SCTimer/PWM is configurable as two 16-bit counters or one 32-bit counter.
 - Counters clocked by system clock or selected input.
 - Configurable number of match and capture registers. Up to sixteen match and capture registers total.

- Sixteen events.
- Thirty two states.
- Upon match and/or an input or output transition create the following events: interrupt; stop, limit, halt the timer or change counting direction; toggle outputs; change the state.
- Counter value can be loaded into capture register triggered by a match or input/output toggle.
- PWM features:
 - Counters can be used in conjunction with match registers to toggle outputs and create time-proportioned PWM signals.
 - Up to ten single-edge or eight dual-edge PWM outputs with independent duty cycle and common PWM cycle length.
- Event creation features:
 - The following conditions define an event: a counter match condition, an input (or output) condition such as an rising or falling edge or level, a combination of match and/or input/output condition.
 - Selected events can limit, halt, start, or stop a counter or change its direction.
 - Events trigger state changes, output toggles, interrupts, and DMA transactions.
 - Match register 0 can be used as an automatic limit.
 - In bi-directional mode, events can be enabled based on the count direction.
 - Match events can be held until another qualifying event occurs.
- State control features:
 - A state is defined by events that can happen in the state while the counter is running.
 - A state changes into another state as a result of an event.
 - Each event can be assigned to one or more states.
 - State variable allows sequencing across multiple counter cycles.

7.26.3 Windowed WatchDog Timer (WWDT)

The purpose of the Watchdog Timer is to reset or interrupt the microcontroller within a programmable time if it enters an erroneous state. When enabled, a watchdog reset is generated if the user program fails to feed (reload) the Watchdog within a predetermined amount of time.

7.26.3.1 Features

- Internally resets chip if not reloaded during the programmable time-out period.
- Optional windowed operation requires reload to occur between a minimum and maximum time period, both programmable.
- Optional warning interrupt can be generated at a programmable time prior to watchdog time-out.
- Programmable 24-bit timer with internal fixed pre-scaler.
- Selectable time period from 1,024 watchdog clocks ($TWDCLK \times 256 \times 4$) to over 67 million watchdog clocks ($TWDCLK \times 224 \times 4$) in increments of four watchdog clocks.
- “Safe” watchdog operation. Once enabled, requires a hardware reset or a Watchdog reset to be disabled.
- Incorrect feed sequence causes immediate watchdog event if enabled.
- The watchdog reload value can optionally be protected such that it can only be changed after the “warning interrupt” time is reached.
- Flag to indicate Watchdog reset.
- The watchdog clock (WDCLK) is generated from always on FRO_1MHz clock which can be divided by WDT clock divider register. The accuracy of this clock is limited to +/- 15% over temperature, voltage, and silicon processing variations.
- The Watchdog timer can be configured to run in Deep-sleep mode.
- Debug mode.

7.27 Code WatchDog Timer (CWT)

Code Watchdog for detecting code flow integrity.

7.27.1 Features

- Secure Counter (SEC_CNT) to detect altered software in the execution flow.
- Instruction Timer (INST_TIMER) which places a hard upper-limit on the interval between checks of the secure counter.

7.27.2 RTC timer

The RTC block to count seconds and generate an alarm interrupt to the processor whenever the counter value equals the value programmed into the associated 32-bit match register.

7.27.2.1 Features

- The RTC resides in a separate “always-on” voltage domain with battery backup. It utilizes an independent oscillator which is also in the “always-on” domain.

- The RTC oscillator has the following clock outputs: 32.768 kHz clock (named as 32 kHz clock in rest of this chapter) 32 kHz clock, selectable for system clock and CLKOUT pin, 1 Hz clock for RTC timing, and 1024 Hz clock (named as 1 kHz clock in rest of this chapter) for high-resolution RTC timing.
- 32-bit, 1 Hz RTC counter and associated match register for alarm generation.
- 15-bit, 32kHz sub-second counter.
- Separate 16-bit high-resolution/wake-up timer clocked at 1 kHz for 1 ms resolution with a more that one minute maximum time-out period.
- RTC alarm and high-resolution/wake-up timer time-out each generate independent interrupt requests that go to one NVIC channel. Either time-out can wake up the part from any of the low power modes, including deep power-down.
- Eight 32-bit general purpose registers can retain data in deep power-down or in the event of a power failure, provided there is battery backup.

7.27.3 Multi-Rate Timer (MRT)

The Multi-Rate Timer (MRT) provides a repetitive interrupt timer with four channels. Each channel can be programmed with an independent time interval, and each channel operates independently from the other channels.

7.27.3.1 Features

- 24-bit interrupt timer.
- Four channels independently counting down from individually set values.
- Repeat interrupt, one-shot interrupt, and one-shot bus stall modes.

7.27.4 OS Timer

42-bit free running timer with individual match/capture and interrupt generation logic used as continuous time-base for the system, available in any reduced power modes. It runs on 32kHz clock source, allowing a count period of more than 4 years.

7.27.4.1 Features

- Central 42-bit, free-running gray-code event/timestamp timer.
- Match registers compared to the main counter to generate an interrupt and/or wake-up event.
- Capture registers triggered by CPU command, readable via the AHB/IPS bus.
- APB interface for register access.
- IRQ and wake-up.
- Reads of gray-encoded timers are accomplished with no synchronization latency.

7.27.5 Micro-tick timer (UTICK)

The ultra-low power Micro-tick Timer, running from the Watchdog oscillator, can be used to wake up the device from sleep and deep-sleep modes.

7.27.5.1 Features

- Ultra simple timer.
- Write once to start.

- Interrupt or software polling.
- Four capture registers that can be triggered by external pin transitions.

7.28 Digital peripherals

7.28.1 DMA controller

The DMA controller allows peripheral-to memory, memory-to-peripheral, and memory-to-memory transactions. Each DMA stream provides unidirectional DMA transfers for a single source and destination.

Two identical DMA controllers are provided on the LPC55S0x/LPC550x. The user may elect to dedicate one of these to CPU or one may be used as a secure DMA the other non-secure.

7.28.1.1 Features

- DMA0: 22 channels, 21 of which are connected to peripheral DMA requests. These come from the Flexcomm (USART, SPI, I2C, and I2S), high-speed SPI interface, ADC, AES, and SHA interfaces. 22 trigger sources are available.
- DMA1: 10 channels, 9 of which are connected to peripheral DMA requests. These come from the Flexcomm Interfaces (0, 1, and 3), high-speed SPI interface, AES, and SHA interfaces. 15 trigger sources are available.
- DMA operations can be triggered by on-chip or off-chip events.
- Priority is user selectable for each channel (up to eight priority levels).
- Continuous priority arbitration.
- Address cache with four entries.
- Efficient use of data bus.
- Supports single transfers up to 1,024 words.
- Address increment options allow packing and/or unpacking data.

7.28.2 Programmable Logic Unit (PLU)

The PLU is comprised of 26 5-input LUT elements. Each LUT element contains a 32-bit truth table (look-up table) register and a 32:1 multiplexer. During operation, the five LUT inputs control the select lines of the multiplexer. This structure allows any desired logical combination of the five LUT inputs.

7.28.2.1 Features

- The Programmable Logic Unit is used to create small combinatorial and/or sequential logic networks including simple state machines.
- The PLU is comprised of an array of 26 inter-connectable, 5-input Look-up Table (LUT) elements, and four flip-flops.
- Eight primary outputs can be selected using a multiplexer from among all of the LUT outputs and the four flip-flops.
- An external clock to drive the four flip-flops must be applied to the PLU_CLKIN pin if a sequential network is implemented.
- Programmable logic can be used to drive on-chip inputs/triggers through external pin-to-pin connections.

- A tool suite is provided to facilitate programming of the PLU to implement the logic network described in a Verilog RTL design.
- Any of the eight selected PLU outputs can be enabled to contribute to an asynchronous wake-up or an interrupt request from sleep and deep-sleep modes.

7.28.3 CRC engine

The Cyclic Redundancy Check (CRC) generator with programmable polynomial settings supports several CRC standards commonly used. To save system power and bus bandwidth, the CRC engine supports DMA transfers.

7.28.3.1 Features

- Supports three common polynomials CRC-CCITT, CRC-16, and CRC-32.
 - CRC-CCITT: $x^{16} + x^{12} + x^5 + 1$
 - CRC-16: $x^{16} + x^{15} + x^2 + 1$
 - CRC-32: $x^{32} + x^{26} + x^{23} + x^{22} + x^{16} + x^{12} + x^{11} + x^{10} + x^8 + x^7 + x^5 + x^4 + x^2 + x + 1$
- Bit order reverse and 1's complement programmable setting for input data and CRC sum.
- Programmable seed number setting.
- Supports CPU PIO or DMA back-to-back transfer.
- Accept any size of data width per write: 8, 16 or 32-bit.
 - 8-bit write: 1-cycle operation.
 - 16-bit write: 2-cycle operation (8-bit x 2-cycle).
 - 32-bit write: 4-cycle operation (8-bit x 4-cycle).

7.29 Analog peripherals

7.29.1 16-bit Analog-to-Digital Converter (ADC)

The ADC supports a resolution of 16-bit and fast conversion rates of up to 2.0 Msamples/s. Sequences of analog-to-digital conversions can be triggered by multiple sources.

7.29.1.1 Features

- 16-bit Linear successive approximation algorithm.
- Differential operation with 16-bit or 13-bit resolution.
- Single-ended operation with 16-bit or 12-bit resolution.
- Support for simultaneous conversions, on 2 ADC input channels belonging to a differential pair.
- Channel support for up to 10 analog input channels for conversion of external pin and from internal sources.
- Select external pin inputs paired for conversion as differential channel input.
- Measurement of on-chip analog sources such as DAC, temperature sensor or bandgap.
- Configurable analog input sample time.

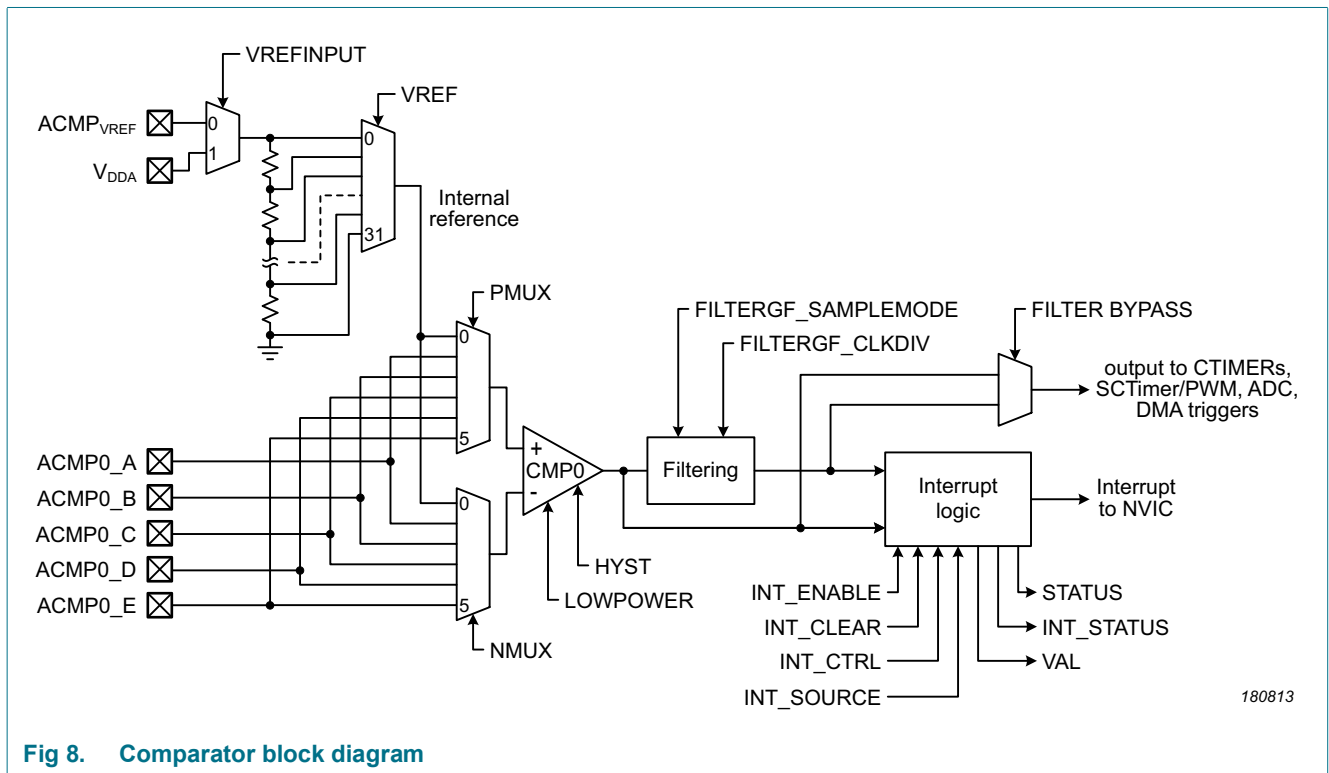
- Configurable speed options to accommodate operation in low power modes of SoC.
- Trigger detect with up to 16 trigger sources with priority level configuration. Software or hardware trigger option for each.
- Fifteen command buffers allow independent options selection and channel sequence scanning.
- Automatic compare for less-than, greater-than, within range, or out-of-range with "store on true" and "repeat until true" options.
- Two independent result FIFOs each contains 16 entries. Each FIFO has configurable watermark and overflow detection.
- Interrupt, DMA, or polled operation.
- Linearity and gain offset calibration logic.

7.29.2 Comparator

The analog comparator can compare voltage levels on external pins and internal voltages. The comparator has five inputs multiplexed separately to its positive and negative inputs.

7.29.2.1 Features

- Selectable external inputs can be used as either the positive or negative input of the comparator.
- Voltage ladder source selectable between the supply, multiplexing between internal VBAT_PMU and ACMPVREF.
- 32-stage voltage ladder can be used as either the positive or negative input of the comparator.
- Supports standard and low power modes
- Interrupt capability.



180813

Fig 8. Comparator block diagram

7.29.3 Temperature sensor

The ADC has a dedicated input channel for an on-chip temperature sensor. It is mapped on channel 25.

Note: To use the temperature sensor, the maximum fclk(ADC) frequency is 6 MHz..

7.30 Security Features

The security system on LPC55S0x/LPC550x has a set of hardware blocks and ROM code to implement the security features of the device. The hardware consists of an AES engine, a Secure Hash Algorithm (SHA) engine, a Random Number Generator (RNG), a PRINCE engine for real-time flash encryption/decryption, and a key storage block that keys from an SRAM based PUF (Physically Unclonable Function). All components of the system can be accessed by the processor or the DMA engine to encrypt or decrypt data and for hashing. The ROM is responsible for secure boot in addition to providing support for various security functions.

7.30.1 AES engine

The LPC55S0x/LPC550x devices provide an on-chip hardware AES encryption and decryption engine to protect the image content and to accelerate processing for data encryption or decryption, data integrity, and proof of origin. Data can be encrypted or decrypted by the AES engine using a key from the PUF or a software supplied key. The AES engine supports 128 bit, 192 bit, or 256 bit keys for encryption and decryption operations.

7.30.1.1 Features

- Encryption and decryption of data.
- Secure storage of AES key that cannot be read.
- Supports 128 bit, 192 bit or 256 bit key in Electronic Code Book (ECB) mode, Cipher Block Chaining (CBC) mode, and Counter (CTR) mode.
- Supports 128-bit key in ICB (Indexed Code Book) mode, that offers protection against side-channel attacks.
- Compliant with the FIPS (Federal Information Processing Standard) Publication 197, Advanced Encryption Standard (AES).
- It may use the processor, DMA, or AHB Master for data movement. AHB Master may only be used to load data, DMA may be used to read-out results. DMA based result reading is a “trigger”, so the application must set the size correctly.

7.30.2 HASH engine

The LPC55S0x/LPC550x devices provide on-chip Hash support to perform SHA-1 and SHA-2 with 256-bit digest (SHA-256). Hashing is a way to reduce arbitrarily large messages or code images to a relatively small fixed size “unique” number called a digest. The SHA-1 Hash produces a 160 bit digest (five words), and the SHA-256 hash produces a 256 bit digest (eight words).

7.30.2.1 Features

- Performs SHA-1 and SHA-2(256) based hashing.
- Used with HMAC to support a challenge/response or to validate a message.

7.30.3 PUF

The PUF controller on the LPC55S0x/LPC550x provides generation and secure storage for keys without storing the key. The PUF controller provides a unique key per device and exists in that device based on the unique characteristics of PUF SRAM. Instead of storing the key, a Key Code is generated, which in combination with the digital fingerprint is used to reconstruct keys that are routed to the AES engine, for use by software, and by PRINCE engine. PUF keys have a dedicated path to the AES engine and PRINCE engine. There is no other mechanism by which keys can be observed.

7.30.3.1 Features

- Key strength of 256-bits.
- The PUF constructs 256-bit strength device unique PUF root key using the digital fingerprint of a device derived from SRAM and error correction data called Activation Code (AC). The Activation Code (AC) is generated during enrollment process. The Activation Code (AC) should be stored on external non-volatile memory device in the system.
- Generation, storage, and reconstruction of keys.
- Key sizes from 64 bits to 4096 bits.
- PUF controller allows storage of keys, generated externally or on chip, of sizes 64 bits to 4096 bits.
- PUF controller combines keys with digital fingerprint of device to generate key codes. These key codes should be provided to the controller to reconstruct original key. They can be stored on external non-volatile memory device in the system.
- Key output via dedicated hardware interface or through register interface.
- PUF controller allows to assign a 4-bit index value for each key while generating key codes. Keys that are assigned index value zero are output through HW bus, accessible to AES and PRINCE engines only. Keys with non-zero index are available through APB register interface.
- 32-bit APB interface.

7.30.4 Random Number Generator

The True Random Number Generators (TRNG) module is a hardware accelerator module that generate 256-bit entropy. The purpose of the module is to generate high quality, cryptographically secure, random data.

Random number generators are used for data masking, cryptographic, modeling and simulation application which employ keys that must be generated in a random fashion. LPC55S0x/LPC550x embeds a hardware IP that - combined with appropriate software and the availability of a stochastic model - can be used to generate

7.30.5 PRINCE On-the-fly encryption/decryption

LPC55S0x/LPC550x devices offer support for on-the-fly encryption of data being written to flash and decryption of encrypted on-chip flash data during read using the PRINCE encryption algorithm. Compared to AES, PRINCE is fast as it can decrypt and encrypt in one clock cycle. Also, it does not need extra SRAM to copy data. It operates on a

block-size of 64 bits with an 128-bit key. This functionality is useful for asset protection, such as securing application code, securing stored keys and enabling secure flash update.

7.30.6 Universally Unique Identifier (UUID)

Each LPC55S0x/LPC550x device consists of a unique 128-bit IETF RFC4122 compliant non-sequential UUID. It can be read from the protected flash region (register location 0x0009_FC70 onwards).

7.30.7 Device Identifier Composition Engine (DICE)

The LPC55S0x/LPC550x (secure part) supports Device Identifier Composition Engine (DICE) to provide Composite Device Identifier (CDI). The CDI value is available at SYSCON for consumption after boot completion. It is recommended to overwrite these registers once ephemeral key-pairs are generated using this value.

7.30.8 Code Watchdog

The Code Watchdog provides two main mechanisms for detecting side-channel attacks, or execution of unexpected instruction sequences

7.31 Debug Mailbox and Authentication

The Debugger Mailbox (DM) AP offers a register based mailbox accessible by both CPUs and the device debug port DP of the MCU. This port is always enabled and external world can send and receive data to/from ROM. This port is used to implement NXP Debug Authentication Protocol.

BootROM implements debug mailbox protocol to interact with tools over SWD interface. LPC55S0x/LPC550x offers a debug authentication protocol as a tool to authenticate the debugger and grant it access to the device. The debug authentication scheme on LPC55S0x/LPC550x is a challenge-response scheme and assures that debugger in possession of required debug credentials only can successfully authenticate over debug interface and access restricted parts of the device. This protocol provides a mechanism for a device and its debug interface to authenticate the identity and credentials of the debugger (or user). Access right settings can be pre-configured and gets loaded into register above upon successful debug authentication. Until debug authentication process is successfully completed, secure part of the device is non-accessible to the debugger.

7.32 Emulation and debugging

Debug and trace functions are integrated into the Arm Cortex-M33 Serial wire debug and trace function (Serial Wire Output) are supported. Eight breakpoints and four watch points are supported. In addition, JTAG boundary scan mode is provided.

The Arm SYSREQ reset is supported and causes the processor to reset the peripherals, execute the boot code, restart from address 0x0000 0000, and break at the user entry point.

The SWD pins are multiplexed with other digital I/O pins. On reset, the pins assume the SWD functions by default.

8. Limiting values

Table 11. Limiting values

In accordance with the Absolute Maximum Rating System (IEC 60134).^[1]

Symbol	Parameter	Conditions		Min	Max	Unit
V _{DD}	Main IO supply		[2]	-0.3	3.96	V
VBAT_DCDC	Supply of DCDC output stage. DCDC core supply (references and regulation stages)		[2]	-0.3	3.96	V
VBAT_PMU	Analog supply		[2]	-0.3	3.96	V
VDD_PMU	Analog supply for Core. DCDC output		[2]	-0.3	1.26	V
V _D DA	Analog supply voltage for ADC		[2]	-0.3	3.96	V
V _{refp}	ADC positive reference voltage		[2]	-0.3	3.96	V
V _I	input voltage	only valid when the V _{DD} ≥ 1.8 V	[5]	-0.5	V _{DD} + 0.5	V
V _I	input voltage	on I2C open-drain pins		-0.5	V _{DD} + 0.5	V
V _{IA}	analog input voltage	on digital pins configured for an analog function	[6][7]	-0.3	3.96	V
I _{DD}	total supply current	per supply pin (HTQFP64, HVQFN48)		-	256	mA
I _{SS}	total ground current	per ground pin (HTQFP64, HVQFN48)		-	256	mA
I _{latch}	I/O latch-up current	-(0.5V _{DD}) < V _I < (1.5V _{DD}); T _j < 125 °C		-	100	mA
T _{stg}	storage temperature			-65	+150	°C
V _{ESD}	electrostatic discharge voltage	human body model; all pins	[3]		2000	V
V _{ESD}	electrostatic discharge voltage	charge device model; all pins	[3]		500	V

[1] The following applies to the limiting values:

- a) This product includes circuitry specifically designed for the protection of its internal devices from the damaging effects of excessive static charge. Nonetheless, it is suggested that conventional precautions be taken to avoid applying greater than the rated maximum.
 - b) Parameters are valid over operating temperature range unless otherwise specified. All voltages are with respect to V_{SS} unless otherwise noted.
 - c) The limiting values are stress ratings only and operating the part at these values is not recommended and proper operation is not guaranteed. The conditions for functional operation are specified in [Table 23](#).
- [2] Maximum/minimum voltage above the maximum operating voltage (see [Table 23](#)) and below ground that can be applied for a short time (< 10 ms) to a device without leading to irrecoverable failure. Failure includes the loss of reliability and shorter lifetime of the device.
- [3] Human body model: equivalent to discharging a 100 pF capacitor through a 1.5 kΩ series resistor.
- [4] V_{DD} present or not present. Compliant with the I²C-bus standard. 5.5 V can be applied to this pin when V_{DD} is powered down.
- [5] Including the voltage on outputs in 3-state mode.
- [6] An ADC input voltage above 3.6 V can be applied for a short time without leading to immediate, unrecoverable failure. Accumulated exposure to elevated voltages at 4.6 V must be less than 10⁶ s total over the lifetime of the device. Applying an elevated voltage to the ADC inputs for a long time affects the reliability of the device and reduces its lifetime.

[7] It is recommended to connect an overvoltage protection diode between the analog input pin and the voltage supply pin.

9. Thermal characteristics

The average chip junction temperature, T_j (°C), can be calculated using the following equation:

$$T_j = T_{amb} + (P_D \times R_{th(j-a)}) \quad (1)$$

- T_{amb} = ambient temperature (°C),
- $R_{th(j-a)}$ = the package junction-to-ambient thermal resistance (°C/W)
- P_D = sum of internal and I/O power dissipation

The internal power dissipation is the product of I_{DD} and V_{DD} . The I/O power dissipation of the I/O pins is often small and many times can be negligible. However it can be significant in some applications.

Table 12. Thermal resistance

Symbol	Parameter	Conditions	Max/Min	Unit
HVQFN48 Package				
$R_{th(j-a)}$	thermal resistance from junction to ambient [1]	JESD51-7, 2s2p [2]	28.9	°C/W
$R_{th(j-c)}$	Junction-to-Top of Package Thermal Characterization Parameter [3]	JESD51-7 [2]	0.3	°C/W
HTQFP64 Package				
$R_{th(j-a)}$	thermal resistance from junction to ambient [1]	JESD51-9, 2s2p [2]	28	°C/W
$R_{th(j-c)}$	thermal resistance from junction to case [3]	JESD51-9 [2]	0.3	°C/W

Table 13. Maximum Junction Temperature

Symbol	Parameter	Conditions	Max	Unit
T_{jmax} (Device)	maximum junction temperature for Device	Device operating per datasheet spec	+ 107	°C
T_{jmax} (Silicon Process)	maximum junction temperature for Silicon Process	Device operating, datasheet specifications not guaranteed	+ 125	°C

- [1] Determined in accordance to JEDEC JESD51-2A natural convection environment. Thermal resistance data in this report is solely for a thermal performance comparison of one package to another in a standardized specified environment. It is not meant to predict the performance of a package in an application-specific environment
- [2] Thermal test board meets JEDEC specification for this package (JESD51-9).
- [3] Junction-to-Case thermal resistance determined using an isothermal cold plate. Case is defined as the bottom of the packages (exposed pad)

10. Static characteristics

10.1 General operating conditions

Table 14. General operating conditions

$T_{amb} = -40\text{ }^{\circ}\text{C}$ to $+105\text{ }^{\circ}\text{C}$, unless otherwise specified.

Symbol	Parameter	Conditions	Min	Typ ^[1]	Max	Unit
f_{clk}	clock frequency	internal CPU/system clock	-	-	96 ^[2]	MHz
V_{DD}	Main IO supply		1.8	-	3.6	V
V_{BAT_DCDC}	Supply of DCDC output stage. DCDC core supply (references and regulation stages)		1.8	-	3.6	V
V_{BAT_PMU}	Analog supply		1.8	-	3.6	V
V_{DD_PMU} ^[3]	Analog supply for Core. DCDC output		1.0	-	1.2	V
V_{DDA}	Analog supply voltage for ADC		1.8	-	3.6	V
V_{refp}	ADC positive reference voltage		0.985	-	V_{DDA}	V
Oscillator pins ^[4]						
$V_{i(rtcx)}$	RTC oscillator input voltage	on pin XTAL32K_P	1.8	-	3.6	V
$V_{o(rtcx)}$	RTC oscillator output voltage	on pin XTAL32K_N	1.8	-	3.6	V
$V_{i(xtal)}$	System oscillator input voltage	on pin XTAL32M_P	-	1.1	1.2	V
$V_{o(rtcx)}$	System oscillator output voltage	on pin XTAL32M_N	-	1.1	1.2	V

[1] Typical ratings are not guaranteed. The values listed are for room temperature (25 °C), nominal supply voltages.

[2] Flash operations (erase, blank check, program) and reading single word can only be performed for CPU frequencies of up to 96 MHz. Cannot be performed for frequencies above 96 MHz.

[3] Power library in SDK sets the DCDC output based on the frequency selected. For frequencies 72 MHz or below, DCDC output is set between 1.0 V to 1.1 V, for frequencies between 73 MHz to 96 MHz, DCDC output is set between 1.025 V to 1.150 V. Typical default DCDC output is 1.05 V.

[4] See: [Section 13 "Application information"](#).

10.2 CoreMark data

Table 15. CoreMark score [6]

$T_{amb} = 25^{\circ}\text{C}$, $V_{BAT_PMU} = V_{BAT_DCDC} = V_{DD} = 3.0\text{ V}$

Parameter	Conditions		Typ [2]	Unit
ARM Cortex-M33 in active mode				
CoreMark score	CoreMark code executed from SRAMX; CCLK = 12 MHz	[1][3]	4.0	(Iterations/s) / MHz
	CCLK = 48 MHz	[1][3]	4.0	(Iterations/s) / MHz
	CCLK = 60 MHz	[1][3]	4.0	(Iterations/s) / MHz
	CCLK = 96 MHz	[1][3]	4.0	(Iterations/s) / MHz
CoreMark score	CoreMark code executed from flash; CCLK = 12 MHz; 2 system clock flash access time.	[1][3][4]	3.7	(Iterations/s) / MHz
	CCLK = 48 MHz, 5 system clock flash access time.	[1][3][4]	2.9	(Iterations/s) / MHz
	CCLK = 96 MHz, 8 system clock flash access time.	[1][3][4]	2.4	(Iterations/s) / MHz

[1] Clock source FRO. PLL disabled

[2] Characterized through bench measurements using typical samples.

[3] Compiler settings: Keil v.5.28, optimization level 3, optimized for time on.

[4] See the FLASHCFG register in the LPC55S0x/LPC550x User Manual for system clock flash access time settings. Power Library in SDK sets the flash wait states based on the frequency selected.

[5] PLL enabled

[6] Power library in SDK sets the DCDC output based on the frequency selected. For frequencies 72 MHz or below, DCDC output is set between 1.0 V to 1.1 V, for frequencies between 73 MHz to 96 MHz, DCDC output is set between 1.025 V to 1.150 V. Typical default DCDC output is 1.05 V.

10.3 Power consumption

Table 16. Static characteristics: Power consumption in active mode [6]

$T_{amb} = -40\text{ °C to }+105\text{ °C}$, unless otherwise specified. $V_{BAT_PMU} = V_{BAT_DCDC} = V_{DD} = 3.0\text{ V}$

Symbol	Parameter	Conditions	Min	Typ ^[1]	Max	Unit	
ARM Cortex-M33 in active mode							
I _{DD}	supply current	CoreMark code executed from SRAMX; flash powered down CCLK = 12 MHz	[2][3]	-	0.9	-	mA
		CCLK = 48 MHz	[2][3]	-	2.0	-	mA
		CCLK = 96 MHz	[2][3]	-	3.4	-	mA
I _{DD}	supply current	CoreMark code executed from flash; CCLK = 12 MHz; 2 system clock flash access time.	[2][3][7]	-	0.9	-	mA
		CCLK = 48 MHz, 5 system clock flash access time.	[2][3][7]	-	2.0	-	mA
		CCLK = 96 MHz, 8 system clock flash access time.	[2][3][7]	-	3.2	-	mA

- [1] Typical ratings are not guaranteed. Typical values listed are at room temperature (25 °C). Characterized through bench measurements using typical samples.
- [2] Clock source FRO. PLL disabled
- [3] Compiler settings: IAR v.8.20.2., optimization level 0, optimized for time off.
- [4] Flash is powered down
- [5] PLL enabled
- [6] Power library in SDK sets the DCDC output based on the frequency selected. For frequencies 72 MHz or below, DCDC output is set between 1.0 V to 1.1 V, for frequencies between 73 MHz to 96 MHz, DCDC output is set between 1.025 V to 1.150 V. Typical default DCDC output is 1.05 V.
- [7] See the FLASHCFG register in the LPC55S0x/LPC550x User Manual for system clock flash access time settings. Power Library in SDK sets the flash wait states based on the frequency selected.

Table 17. Static characteristics: Power consumption in active mode [5]

$T_{amb} = -40\text{ °C to }+105\text{ °C}$, unless otherwise specified.

Symbol	Parameter	Conditions	Min	Typ ^[1]	Typ ^[7]	Max	Unit	
ARM Cortex-M33 in active mode								
I _{DD}	supply current	CoreMark code executed from SRAMX; flash powered down						
		CCLK = 48 MHz, $T_{amb} = 25\text{ °C}$	[2][3]	-	2	3	-	mA
		CCLK = 48 MHz, $T_{amb} = 55\text{ °C}$	[2][3]	-	2.1	3.1	-	mA
		CCLK = 48 MHz, $T_{amb} = 85\text{ °C}$	[2][3]	-	2.3	3.4	-	mA
		CCLK = 48 MHz, $T_{amb} = 105\text{ °C}$	[2][3]	-	2.6	3.8	-	mA
		CCLK = 96 MHz, $T_{amb} = 25\text{ °C}$	[2][3]	-	3.4	4.9	-	mA
		CCLK = 96 MHz, $T_{amb} = 55\text{ °C}$	[2][3]	-	3.5	5	-	mA
		CCLK = 96 MHz, $T_{amb} = 85\text{ °C}$	[2][3]	-	3.7	5.4	-	mA
CCLK = 96 MHz, $T_{amb} = 105\text{ °C}$	[2][3]	-	4	5.8	-	mA		

Table 17. Static characteristics: Power consumption in active mode [5]

...continued

$T_{amb} = -40\text{ }^{\circ}\text{C}$ to $+105\text{ }^{\circ}\text{C}$, unless otherwise specified.

Symbol	Parameter	Conditions	Min	Typ ^[1]	Typ ^[7]	Max	Unit	
I _{DD}	supply current	CoreMark code executed from flash						
		CCLK = 48 MHz; 5 system clock flash access time, $T_{amb} = 25\text{ }^{\circ}\text{C}$	[2][3][6]	-	2.1	3.3	-	mA
		CCLK = 48 MHz; 5 system clock flash access time, $T_{amb} = 55\text{ }^{\circ}\text{C}$	[2][3][6]	-	2.2	3.4	-	mA
		CCLK = 48 MHz; 5 system clock flash access time, $T_{amb} = 85\text{ }^{\circ}\text{C}$	[2][3][6]	-	2.4	3.7	-	mA
		CCLK = 48 MHz; 5 system clock flash access time, $T_{amb} = 105\text{ }^{\circ}\text{C}$	[2][3][6]	-	2.7	4.1	-	mA
		CCLK = 96 MHz; 8 system clock flash access time, $T_{amb} = 25\text{ }^{\circ}\text{C}$	[2][3][6]	-	3.2	5.2	-	mA
		CCLK = 96 MHz; 8 system clock flash access time, $T_{amb} = 55\text{ }^{\circ}\text{C}$	[2][3][6]	-	3.7	5.3	-	mA
		CCLK = 96 MHz; 8 system clock flash access time, $T_{amb} = 85\text{ }^{\circ}\text{C}$	[2][3][6]	-	3.8	5.6	-	mA
		CCLK = 96 MHz; 8 system clock flash access time, $T_{amb} = 105\text{ }^{\circ}\text{C}$	[2][3][6]	-	4.3	6.1	-	mA

- [1] Typical ratings are not guaranteed. Typical values listed are at room temperature (25 °C). Characterized through bench measurements using typical samples. VBAT_PMU = VBAT_DCDC = VDD = 3.0 V
- [2] Clock source FRO. PLL disabled
- [3] Compiler settings: IAR v.8.20.2., optimization level 0, optimized for time off.
- [4] Flash is powered down
- [5] Power library in SDK sets the DCDC output based on the frequency selected. For frequencies 72 MHz or below, DCDC output is set between 1.0 V to 1.1 V, for frequencies between 73 MHz to 96 MHz, DCDC output is set between 1.025 V to 1.150 V . Typical default DCDC output is 1.05 V.
- [6] See the FLASHCFG register in the LPC55S0x/LPC550x User Manual for system clock flash access time settings. Power Library in SDK sets the flash wait states based on the frequency selected.
- [7] Typical ratings are not guaranteed. Typical values listed are at room temperature (25 C). Characterized through bench measurements using typical samples. VBAT_PMU = VBAT_DCDC = VDD = 1.8 V

Table 18. Static characteristics: Power consumption in active mode [6]

$T_{amb} = -40\text{ }^{\circ}\text{C}$ to $+105\text{ }^{\circ}\text{C}$, unless otherwise specified. VBAT_PMU = VBAT_DCDC = VDD = 3.0 V

Symbol	Parameter	Conditions	Min	Typ ^[1]	Max	Unit	
ARM Cortex-M33 in active mode							
I _{DD}	supply current	CoreMark code executed from SRAMX; flash powered down					
		CCLK = 1 MHz, $T_{amb} = 25\text{ }^{\circ}\text{C}$	[2][3]	-	0.75	-	mA
		CCLK = 16 MHz, $T_{amb} = 25\text{ }^{\circ}\text{C}$	[3][5]	-	1	-	mA
I _{DD}	supply current	CoreMark code executed from flash					
		CCLK = 1 MHz, 1 system clock flash access time, $T_{amb} = 25\text{ }^{\circ}\text{C}$	[2][3][7]	-	0.84	-	mA
		CCLK = 16 MHz, 2 system clock flash access time, $T_{amb} = 25\text{ }^{\circ}\text{C}$	[3][5][7]	-	1.1	-	mA

- [1] Typical ratings are not guaranteed. Typical values listed are at room temperature (25 °C). Characterized through bench measurements using typical samples.
- [2] Clock source FRO. PLL disabled. System Oscillator disabled.
- [3] Compiler settings: IAR v.8.20.2., optimization level 0, optimized for time off.
- [4] Flash is powered down.
- [5] System Oscillator enabled. FRO disabled. PLL disabled.
- [6] Power library in SDK sets the DCDC output based on the frequency selected. For frequencies 72 MHz or below, DCDC output is set between 1.0 V to 1.1 V, for frequencies between 73 MHz to 96 MHz, DCDC output is set between 1.025 V to 1.150 V . Typical default DCDC output is 1.05 V.
- [7] See the FLASHCFG register in the LPC55S0x/LPC550x User Manual for system clock flash access time settings. Power Library in SDK sets the flash wait state based on the frequency selected.

Table 19. Static characteristics: Power consumption in sleep mode

$T_{amb} = -40\text{ °C to }+105\text{ °C}$, unless otherwise specified. $V_{BAT_PMU} = V_{BAT_DCDC} = V_{DD} = 3.0\text{ V}$

Symbol	Parameter	Conditions		Min	Typ ^[1]	Max	Unit
ARM Cortex-M33 in sleep mode							
I _{DD}	supply current	CCLK = 12 MHz, PLL disabled	[1][2]	-	0.7	-	mA
		CCLK = 96 MHz, PLL disabled	[2]	-	2.7	-	mA

- [1] Typical ratings are not guaranteed. Typical values listed are at room temperature (25 °C)
- [2] Clock source FRO. PLL disabled

Table 20. Static characteristics: Power consumption in deep-sleep, power-down, and deep power-down modes

$T_{amb} = -40\text{ °C to }+105\text{ °C}$; unless otherwise specified. I_{DD} is total current from V_{BAT_DCDC} , V_{BAT_PMU} , V_{DDA} , and V_{DD} supply domains. $V_{SUPPLY} = V_{BAT_DCDC} + V_{BAT_PMU} + V_{DDA} + V_{DD}$

Symbol	Parameter	Conditions		Min	Typ ^{[1][2]}	Max ^[3]	Unit
I _{DD}	supply current	Deep-sleep mode; all SRAM on	[2]	-	70	87	μA
		$T_{amb} = 25\text{ °C}$, $V_{SUPPLY} = 3.0\text{ v}$					
		$T_{amb} = 25\text{ °C}$, $V_{SUPPLY} = 1.8\text{ v}$	[2]	-	95	116	μA
		$T_{amb} = 105\text{ °C}$, $V_{SUPPLY} = 1.8\text{ v}$	[2]	-	-	1.375	mA
		Power-down mode.	[2]				
		SRAM_X2 and SRAM_X3 (8 KB) powered		-	2.4	-	μA
		$T_{amb} = 25\text{ °C}$, $V_{SUPPLY} = 3.0\text{ v}$					
		SRAM_X2 and SRAM_X3 (8 KB) powered		-	2.6	-	μA
		$T_{amb} = 25\text{ °C}$, $V_{SUPPLY} = 3.0\text{ v}$					
		USART3 enabled as wake-up source		-	2.5	-	μA
		$T_{amb} = 25\text{ °C}$, $V_{SUPPLY} = 3.0\text{ v}$					
		OSTIMER enabled as wake-up source		-	2.5	-	μA
		$T_{amb} = 25\text{ °C}$, $V_{SUPPLY} = 3.0\text{ v}$					
		SRAM_X2 and SRAM_X3 (8 KB) powered		-	-	60	μA
		$T_{amb} = 105\text{ °C}$, $V_{SUPPLY} = 3.0\text{ v}$					
		96 KB full retention		-	4.2	8.7	μA
		$T_{amb} = 25\text{ °C}$, $V_{SUPPLY} = 3.0\text{ v}$					

Table 20. Static characteristics: Power consumption in deep-sleep, power-down, and deep power-down modes

...continued

$T_{amb} = -40\text{ }^{\circ}\text{C}$ to $+105\text{ }^{\circ}\text{C}$; unless otherwise specified. I_{DD} is total current from V_{BAT_DCDC} , V_{BAT_PMU} , V_{DDA} , and V_{DD} supply domains. $V_{SUPPLY} = V_{BAT_DCDC} + V_{BAT_PMU} + V_{DDA} + V_{DD}$

Symbol	Parameter	Conditions	Min	Typ ^{[1][2]}	Max ^[3]	Unit
		96 KB full retention $T_{amb} = 105\text{ }^{\circ}\text{C}$, $V_{SUPPLY} = 3.0\text{ V}$	-	-	156	μA
		Deep power-down mode; RTC oscillator input grounded (RTC oscillator input grounded, 4 KB SRAM powered) $T_{amb} = 105\text{ }^{\circ}\text{C}$, $V_{SUPPLY} = 3.0\text{ V}$	-	9.4	12	μA
		Deep power-down mode; RTC oscillator input grounded (RTC oscillator disabled, 4 KB SRAM powered) $T_{amb} = 25\text{ }^{\circ}\text{C}$, $V_{SUPPLY} = 3.0\text{ V}$	-	475	-	nA
		RTC oscillator running with external crystal (4 KB SRAM powered)	-	635	-	nA

[1] Typical ratings are not guaranteed. Typical values listed are at room temperature (25 °C).

[2] Characterized through bench measurements using typical samples.

[3] The maximum values represent characterized results equivalent to the mean plus three times the standard deviation (mean + 3 sigma).

Table 21. Static characteristics: ADC Power consumption

$T_{amb} = -40\text{ }^{\circ}\text{C}$ to $+105\text{ }^{\circ}\text{C}$, unless otherwise specified. $0.985\text{ V} \leq V_{REFP} \leq V_{DDA}\text{ V}$; $1.8\text{ V} \leq V_{DDA} \leq 3.6\text{ V}$.

Symbol	Parameter	Conditions	Min	Typ ^[1]	Max	Unit
I_{DDA}	analog supply current	ADC in low power mode (PWRSEL = 0) Idle mode (analog blocks pre-enabled, inc ADC Bias)	-	0.2	-	mA
		ADC in low power mode (PWRSEL = 0) Sampling/ SE Conversion mode (analog blocks ON) $f_{adc} = 24\text{ MHz}$	-	0.7	-	mA
		ADC in high power mode (PWRSEL = 3) Idle mode (analog blocks pre-enabled)	-	0.2	-	mA
		ADC in high power mode (PWRSEL = 3) Sampling/ SE Conversion mode (analog blocks ON) $f_{adc} = 48\text{ MHz}$	-	1.4	-	mA
		ADC in high power mode (PWRSEL = 3) PWRSEL = 3 Sampling/ DIFF or Dual SE Conversion mode (analog blocks ON) $f_{adc} = 48\text{ MHz}$	-	2.1	-	mA
		Temperature sensor (inc ADC Bias)	-	60	-	μA

Table 21. Static characteristics: ADC Power consumption

$T_{amb} = -40\text{ }^{\circ}\text{C}$ to $+105\text{ }^{\circ}\text{C}$, unless otherwise specified. $0.985\text{ V} \leq V_{REFP} \leq V_{DDA}\text{ V}$; $1.8\text{ V} \leq V_{DDA} \leq 3.6\text{ V}$.

Symbol	Parameter	Conditions	Min	Typ ^[1]	Max	Unit
I _{DDA}	Analog supply current	Deep Sleep Mode, ADC OFF	-	10	-	nA
		Power Mode, ADC OFF	-	6	-	nA
		Deep Power Down Mode, ADC OFF	-	5	-	nA
I _{DD(VREFP)}	VREFP supply current	ADC Idle mode(analog blocks pre_enabled)	-	5	-	nA
		Sampling/ SE Conversion mode (analog blocks ON) f _{adc} = 48 MHz	-	50	-	μA
		Sampling/DIFF or Dual SE Conversion mode (analog blocks ON) f _{adc} = 48 MHz	-	100	-	μA

[1] Typical ratings are not guaranteed. Typical values listed are at room temperature (25 °C), nominal supply voltages (3V).

10.3.1 Peripheral Power Consumption

Table 22 shows the typical peripheral power consumption measured on a typical sample at $T_{amb} = 25\text{ }^{\circ}\text{C}$ and $V_{BAT_PMU} = V_{BAT_DCDC} = V_{DD} = 3.3\text{ V}$. The supply current per peripheral is measured as the difference in supply current between the peripheral block enabled and the peripheral block disabled using AHB clock control and PDRUNCFG registers. All other blocks are disabled and no code accessing the peripheral is executed.

The supply currents are shown for system clock frequencies of 12 MHz, and 96 MHz.

Table 22. Typical peripheral power consumption

$V_{BAT_PMU} = V_{BAT_DCDC} = V_{DD} = 3.3\text{ V}$; $T = 25\text{ }^{\circ}\text{C}$

Peripheral		I _{DD} (uA)	
FRO (12 MHz)		41	-
FRO (1 MHz)		3.5	-
FRO (32 kHz)		0.3	-
System OSC		35	-
32.768 kHz OSC		3.7	-
Flash		79	-
BODVBAT		0.3	-
SRAM 0 (32 KB)	[2]	9.5	-
SRAM 1 (16 KB)	[2]	11.5	-
SRAM 2 (16 KB)	[2]	11.5	-
Comparator		59	-
Peripheral		I _{DD} in uA/MHz	I _{DD} in uA/MHz
		CPU: 12 MHz	CPU: 96MHz
RNG		17	2.8
INPUTMUX	[1]	0.4	0.5
IOCON	[1]	0.6	0.6

Table 22. Typical peripheral power consumption
 $VBAT_PMU = VBAT_DCDC = V_{DD} = 3.3\text{ V}; T = 25\text{ }^{\circ}\text{C}$

Peripheral		I_{DD} (uA)	
GPIO0	[1]	0.3	0.4
GPIO1	[1]	0.3	0.4
PINT		0.5	0.5
GINT		0.3	0.3
DMA0		1.7	1.7
DMA1		1.2	1.2
CRC		0.4	0.4
WWDT		0.2	0.2
RTC		0.2	0.2
MRT		0.3	0.3
SCTimer/PWM		1.3	1.4
UTICK		0.2	0.2
OS Timer		0.2	0.2
Flexcomm Interface 0		0.8	0.8
Flexcomm Interface 1		0.8	0.8
Flexcomm Interface 2		0.8	0.8
Flexcomm Interface 3		0.8	0.8
Flexcomm Interface 4		0.8	0.8
Flexcomm Interface 5		0.8	0.8
Flexcomm Interface 6		0.8	0.8
Flexcomm Interface 7		0.8	0.8
Timer0		0.3	0.3
Timer1		0.3	0.3
Timer2		0.3	0.3
Timer3		0.3	0.3
Timer4		0.3	0.3
PLU		0.8	0.8
HS SPI		0.4	0.4
CASPER		0.6	0.6
PUF		2.3	2.3
HASH-AES		0.5	0.5

[1] Turn off the peripheral when the configuration is done.

[2] Measured in power-down mode

10.4 Pin characteristics

Table 23. Static characteristics: pin characteristics

$T_{amb} = -40\text{ }^{\circ}\text{C}$ to $+105\text{ }^{\circ}\text{C}$, unless otherwise specified. $1.8\text{ V} \leq V_{DD} \leq 3.6\text{ V}$ unless otherwise specified. Values tested in production unless otherwise specified.

Symbol	Parameter	Conditions	Min	Typ ^[1]	Max	Unit
Standard I/O pins , RESET pin						
Input characteristics						
I_{IL}	LOW-level input current	$V_I = 0\text{ V}$; on-chip pull-up resistor disabled	-	2	200	nA
I_{IH}	HIGH-level input current	$V_I = V_{DD}$; on-chip pull-down resistor disabled	-	2	200	nA
V_I	input voltage	pin configured to provide a digital function; $V_{DD} \geq 1.8\text{ V}$	0	-	3.6	V
V_{IH}	HIGH-level input voltage		$0.7 \times V_{DD}$	-	V_{DD}	V
V_{IL}	LOW-level input voltage		-0.3	-	$0.3 \times V_{DD}$	V
V_{hys}	hysteresis voltage		-	0.4	-	V
Output characteristics						
V_{OH}	HIGH-level output voltage	$I_{OH} = -4\text{ mA}$; $1.8\text{ V} \leq V_{DD} < 2.7\text{ V}$	$V_{DD} - 0.5$	-	-	V
		$I_{OH} = -4\text{ mA}$; $2.7\text{ V} \leq V_{DD} \leq 3.6\text{ V}$	$V_{DD} - 0.4$	-	-	V
V_{OL}	LOW-level output voltage	$I_{OL} = 4\text{ mA}$; $1.8\text{ V} \leq V_{DD} < 2.7\text{ V}$	-	-	0.4	V
		$I_{OL} = 4\text{ mA}$; $2.7\text{ V} \leq V_{DD} \leq 3.6\text{ V}$	-	-	0.4	V
Weak input pull-up/pull-down characteristics						
R_{pd}	pull-down resistance	$V_I = 0$	40	50	62	k Ω
R_{pu}	pull-up resistance	$V_I = V_{DD}$	40	50	62	k Ω

Table 23. Static characteristics: pin characteristics ...continued

$T_{amb} = -40\text{ }^{\circ}\text{C}$ to $+105\text{ }^{\circ}\text{C}$, unless otherwise specified. $1.8\text{ V} \leq V_{DD} \leq 3.6\text{ V}$ unless otherwise specified. Values tested in production unless otherwise specified.

Symbol	Parameter	Conditions	Min	Typ ^[1]	Max	Unit
Pin capacitance						
C _{io}	input/output capacitance	I ² C-bus pins	[3]	-	4.5	pF
		pins with digital functions only	[4]	-	2.5	pF
		Pins with digital and analog functions	[4]	-	3.0	pF

- [1] Typical ratings are not guaranteed. The values listed are at room temperature (25 °C), nominal supply voltage.
- [2] With respect to ground.
- [3] The value specified is a simulated value, excluding package/bondwire capacitance.
- [4] The values specified are simulated and absolute values, including package/bondwire capacitance.

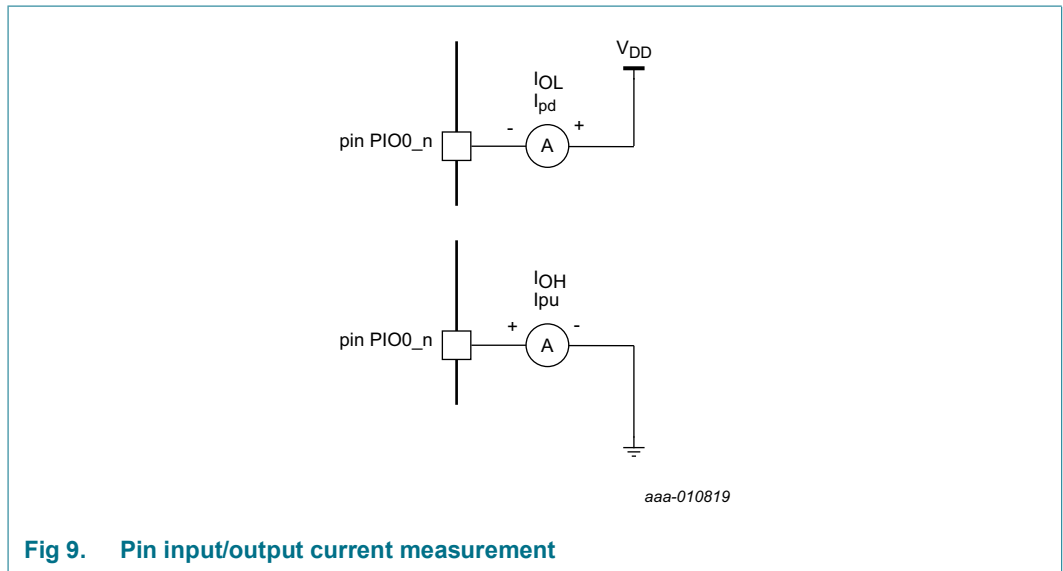


Fig 9. Pin input/output current measurement

11. Dynamic characteristics

11.1 Power-up ramp conditions

Table 24. Power-up ramp characteristics

Symbol	Parameter	Conditions	Min	Typ	Max	Unit
tr	Rise time	$T_{amb} = -40\text{ }^{\circ}\text{C}$	[1] 2.6	-	-	ms
		$T_{amb} = 0\text{ }^{\circ}\text{C to } +105\text{ }^{\circ}\text{C}$	[1] 0.5	-	-	ms

[1] Based on characterization, not tested in production.

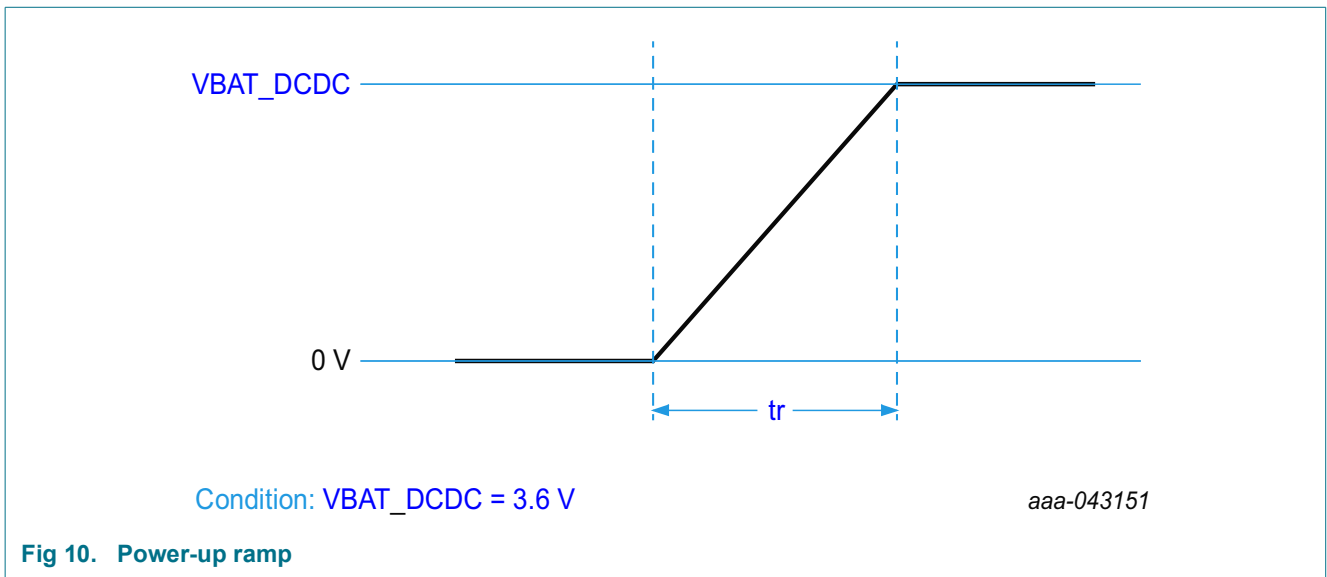


Fig 10. Power-up ramp

11.2 Flash memory

Table 25. Flash characteristics[2]

$T_{amb} = -40\text{ }^{\circ}\text{C to } +105\text{ }^{\circ}\text{C}$, unless otherwise specified.

Symbol	Parameter	Conditions	Min	Typ [3]	Max	Unit
N _{endu}	endurance	Page erase/program, $T_{amb} = -40\text{ }^{\circ}\text{C to } +85\text{ }^{\circ}\text{C}$	[1] 100000	-	-	cycles
		Mass erase/program, $T_{amb} = -40\text{ }^{\circ}\text{C to } +85\text{ }^{\circ}\text{C}$	100000	-	-	cycles
		Page erase/program $T_{amb} = -40\text{ }^{\circ}\text{C to } +105\text{ }^{\circ}\text{C}$,	10000	-	-	cycles
		Mass erase/program $T_{amb} = -40\text{ }^{\circ}\text{C to } +105\text{ }^{\circ}\text{C}$,	10000	-	-	cycles
t _{ret}	retention time	< 1k erase/program cycles	25	100	-	years
		≥ 1k erase/program cycles	15	50	-	years

Table 25. Flash characteristics^[2] ...continued

...continued

$T_{amb} = -40\text{ }^{\circ}\text{C to }+105\text{ }^{\circ}\text{C}$, unless otherwise specified.

Symbol	Parameter	Conditions	Min	Typ ^[3]	Max	Unit
t_{er}	erase time	1 page or multiple pages	-	2.0	-	ms
t_{prog}	programming time		-	1.09	-	ms
Nupdates	number of page updates	1 page or multiple pages	-	-	50	million

[1] Number of erase/program cycles.

[2] Flash operations (erase, blank check, program) and reading single word can only be performed for CPU frequencies of up to 96 MHz. Cannot be performed for frequencies above 96 MHz.

[3] Temperature = 25 C.

11.3 I/O pins

Table 26. Dynamic characteristic: I/O pins^[1]

$T_{amb} = -40\text{ }^{\circ}\text{C to }+105\text{ }^{\circ}\text{C}$; $1.8\text{ V} \leq V_{DD} \leq 3.6\text{ V}$

Symbol	Parameter	Conditions	Min	Typ	Max	Unit
Standard I/O pins - normal drive strength						
t_r	rise time	pin configured as output; SLEW = 1	^{[2][3]} 2.0	-	4.0	ns
t_f	fall time	pin configured as output; SLEW = 1	^{[2][3]} 2.0	-	4.0	ns
t_r	rise time	pin configured as output; SLEW = 0	^{[2][3]} 1.2	-	11.0	ns
t_f	fall time	pin configured as output; SLEW = 0	^{[2][3]} 3.9	-	9.0	ns
I2C I/O pins - normal drive strength						
t_r	rise time	pin configured as output; SLEW = 1	^{[2][3]} 3.0	-	11.0	ns
t_f	fall time	pin configured as output; SLEW = 1	^{[2][3]} 3.0	-	7.0	ns
t_r	rise time	pin configured as output; SLEW = 0	^{[2][3]} 21.5	-	39.0	ns
t_f	fall time	pin configured as output; SLEW = 0	^{[2][3]} 29.8	-	36.0	ns

[1] Based on characterized, not tested in production

[2] Rise and fall times measured between 90% and 10% of the full input signal level.

[3] The slew rate is configured in the IOCON block the SLEW bit. See the LPC55S0x/LPC550x user manual.

11.4 Wake-up process

Table 27. Dynamic characteristic: Typical wake-up times from low power modes
VBAT_PMU = VBAT_DCDC = V_{DD} = 3.3 V; T_{amb} = 25 °C; using FRO as the system clock.

Symbol	Parameter	Conditions	Min	Typ ^{[1][5]}	Max	Unit
t _{wake}	wake-up time	from Sleep mode, 96 MHz, No PRIMASK backup and restore	[2][3]	1.80		µs
		from Deep-sleep mode with full SRAM retention:	[2]	76.8		µs
		from Power-down mode with CPU retention and 4 KB retained	[2]	385		µs
		from deep power-down mode; 4KB retained, RTC disabled; using RESET pin.	[4]	4.60		ms

- [1] Typical ratings are not guaranteed. The values listed are at room temperature (25 °C), nominal supply voltages.
- [2] The wake-up time measured is the time between when a GPIO input pin is triggered to wake the device up from the low power modes and from when a GPIO output pin is set in the interrupt service routine (ISR) wake-up handler.
- [3] FRO enabled, all peripherals off.
- [4] RTC disabled. Wake-up from deep power-down causes the part to go through entire reset process. The wake-up time measured is the time between when the RESET pin is triggered to wake the device up and when a GPIO output pin is set in the reset handler. Wake-up time for non-secure mode.
- [5] Compiler settings: IAR v8.40, High optimization

11.5 FRO (12 MHz/96 MHz)

Table 28. Dynamic characteristic: FRO
T_{amb} = -40 °C to +105 °C; 1.8 V ≤ VBAT_DCDC ≤ 3.6 V.

Symbol	Parameter	Conditions	Min	Typ ^[1]	Max	Unit
f _{osc(RC)}	FRO clock frequency	-	11.76	12	12.24	MHz
f _{osc(RC)}	FRO clock frequency	-	94.08	96	97.92	MHz

- [1] Typical ratings are not guaranteed. The values listed are at room temperature (25 °C), nominal supply voltages.

Table 29. Dynamic characteristic: FRO
T_{amb} = 0 °C to +85 °C; 1.8 V ≤ VBAT_DCDC ≤ 3.6 V.

Symbol	Parameter	Conditions	Min	Typ ^[1]	Max	Unit
f _{osc(RC)}	FRO clock frequency	-	11.88	12	12.12	MHz
f _{osc(RC)}	FRO clock frequency	-	95.04	96	96.96	MHz

- [1] Typical ratings are not guaranteed. The values listed are at room temperature (25 °C), nominal supply voltages.

11.6 FRO (1 MHz)

Table 30. Dynamic characteristic: FRO
T_{amb} = -40 °C to +105 °C; 1.8 V ≤ VBAT_DCDC ≤ 3.6 V.

Symbol	Parameter	Conditions	Min	Typ ^[1]	Max	Unit
f _{osc(RC)}	FRO clock frequency	-	0.85	1	1.15	MHz

[1] Typical ratings are not guaranteed. The values listed are at room temperature (25 °C), nominal supply voltages.

11.7 FRO (32 kHz)

Table 31. Dynamic characteristic: FRO

$T_{amb} = -40\text{ °C to }+105\text{ °C}; 1.8\text{ V} \leq V_{BAT_DCDC} \leq 3.6\text{ V}.$

Symbol	Parameter	Conditions	Min	Typ ^[1]	Max	Unit
f _{osc(RC)}	FRO clock frequency	-	32.11	32.768	33.42	kHz

[1] Typical ratings are not guaranteed. The values listed are at room temperature (25 °C), nominal supply voltages.

11.8 RTC oscillator

See [Section 13.4](#) for connecting the RTC oscillator to an external clock source.

Table 32. Dynamic characteristic: RTC oscillator

$T_{amb} = -40\text{ °C to }+105\text{ °C}; 1.8 \leq V_{BAT_DCDC} \leq 3.6$ ^[1]

Symbol	Parameter	Conditions	Min	Typ ^[1]	Max	Unit
f _i	input frequency	-	-	32.768		kHz

[1] Parameters are valid over operating temperature range unless otherwise specified.

11.9 I²C-bus

Table 33. Dynamic characteristic: I²C-bus pins^[1]

$T_{amb} = -40\text{ °C to }+105\text{ °C}; 1.8\text{ V} \leq V_{BAT_DCDC} \leq 3.6\text{ V}.$ ^[2]

Symbol	Parameter	Conditions	Min	Max	Unit
f _{SCL}	SCL clock frequency	Standard-mode	0	100	kHz
		Fast-mode	0	400	kHz
		Fast-mode Plus	0	1	MHz
t _f	fall time	^{[4][5][6][7]} of both SDA and SCL signals Standard-mode	-	300	ns
		Fast-mode	20 + 0.1 × C _b	300	ns
		Fast-mode Plus	-	120	ns
t _{LOW}	LOW period of the SCL clock	Standard-mode	4.7	-	μs
		Fast-mode	1.3	-	μs
		Fast-mode Plus	0.5	-	μs
t _{HIGH}	HIGH period of the SCL clock	Standard-mode	4.0	-	μs
		Fast-mode	0.6	-	μs
		Fast-mode Plus	0.26	-	μs
t _{HD;DAT}	data hold time	^{[3][4][8]} Standard-mode	0	-	μs
		Fast-mode	0	-	μs
		Fast-mode Plus	0	-	μs
t _{SU;DAT}	data set-up time	^{[9][10]} Standard-mode	250	-	ns
		Fast-mode	100	-	ns
		Fast-mode Plus	50	-	ns

[1] Guaranteed by design. Not tested in production.

- [2] Parameters are valid over operating temperature range unless otherwise specified. See the I²C-bus specification *UM10204* for details.
- [3] t_{HD;DAT} is the data hold time that is measured from the falling edge of SCL; applies to data in transmission and the acknowledge.
- [4] A device must internally provide a hold time of at least 300 ns for the SDA signal (with respect to the V_{IH(min)} of the SCL signal) to bridge the undefined region of the falling edge of SCL.
- [5] C_b = total capacitance of one bus line in pF. If mixed with Hs-mode devices, faster fall times are allowed.
- [6] The maximum t_f for the SDA and SCL bus lines is specified at 300 ns. The maximum fall time for the SDA output stage t_f is specified at 250 ns. This allows series protection resistors to be connected in between the SDA and the SCL pins and the SDA/SCL bus lines without exceeding the maximum specified t_f.
- [7] In Fast-mode Plus, fall time is specified the same for both output stage and bus timing. If series resistors are used, designers should allow for this when considering bus timing.
- [8] The maximum t_{HD;DAT} could be 3.45 μs and 0.9 μs for Standard-mode and Fast-mode but must be less than the maximum of t_{VD;DAT} or t_{VD;ACK} by a transition time. This maximum must only be met if the device does not stretch the LOW period (t_{LOW}) of the SCL signal. If the clock stretches the SCL, the data must be valid by the set-up time before it releases the clock.
- [9] t_{SU;DAT} is the data set-up time that is measured with respect to the rising edge of SCL; applies to data in transmission and the acknowledge.
- [10] A Fast-mode I²C-bus device can be used in a Standard-mode I²C-bus system but the requirement t_{SU;DAT} = 250 ns must then be met. This will automatically be the case if the device does not stretch the LOW period of the SCL signal. If such a device does stretch the LOW period of the SCL signal, it must output the next data bit to the SDA line t_{r(max)} + t_{SU;DAT} = 1000 + 250 = 1250 ns (according to the Standard-mode I²C-bus specification) before the SCL line is released. Also the acknowledge timing must meet this set-up time.

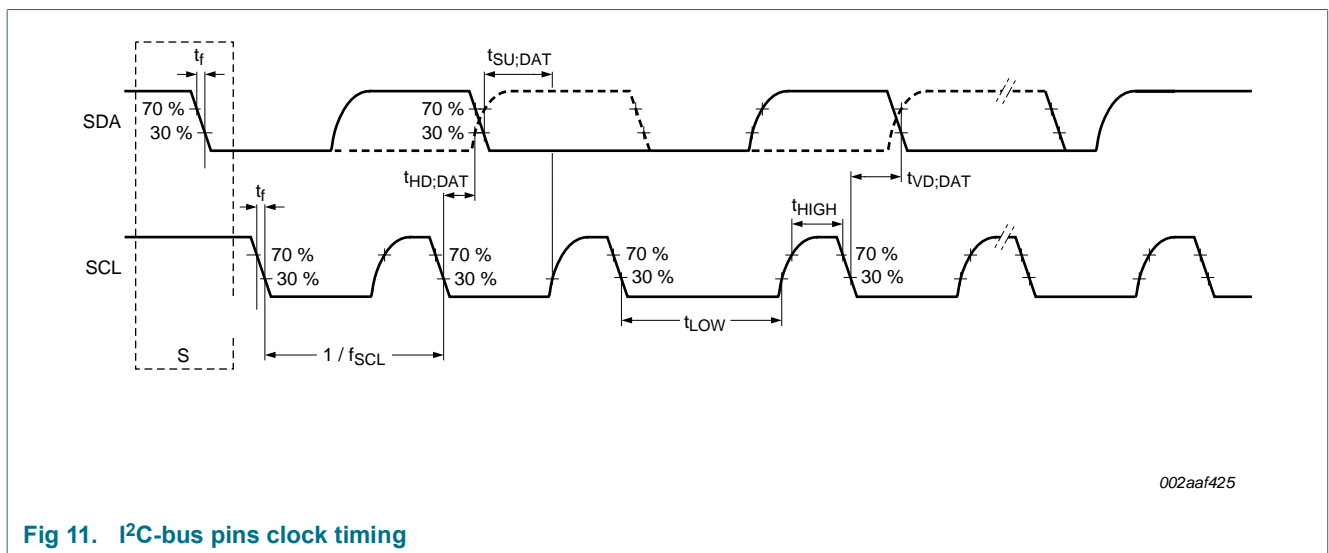


Fig 11. I²C-bus pins clock timing

11.10 I²S-bus interface

Table 34. Dynamic characteristics: I²S-bus interface pins [1][4]

$T_{amb} = -40\text{ °C to }105\text{ °C}$; $V_{BAT_DCDC} = 1.8\text{ V to }3.6\text{ V}$; $C_L = 10\text{ pF}$ balanced loading on all pins; Input slew = 1.0 ns, SLEW setting = standard mode for all pins; Parameters sampled at the 50% level of the rising or falling edge.

Symbol	Parameter	Conditions	Min	Typ ^[3]	Max	Unit
Common to master and slave						
t_{WH}	pulse width HIGH	on pins I2Sx_TX_SCK and I2Sx_RX_SCK ^[5]	45%	-	55%	T_{cyc}
t_{WL}	pulse width LOW	on pins I2Sx_TX_SCK and I2Sx_RX_SCK ^[5]	45%	-	55%	T_{cyc}
Master; 1.8 V ≤ VDD < 3.6 V						
$t_{v(Q)}$	data output valid time	on pin I2Sx_TX_SDA ^[2]	5	-	15	ns
		on pin I2Sx_WS	5	-	12	ns
$t_{su(D)}$	data input set-up time	on pin I2Sx_RX_SDA ^[2]	4	-	-	ns
$t_{h(D)}$	data input hold time	on pin I2Sx_RX_SDA ^[2]	0	-	-	ns
Slave; 1.8 V ≤ VDD < 3.6 V						
$t_{v(Q)}$	data output valid time	on pin I2Sx_TX_SDA ^[2]	9	-	26	ns
$t_{su(D)}$	data input set-up time	on pin I2Sx_RX_SDA ^[2]	4	-	-	ns
		on pin I2Sx_WS	4	-	-	ns
$t_{h(D)}$	data input hold time	on pin I2Sx_RX_SDA ^[2]	0	-	-	ns
		on pin I2Sx_WS	0	-	-	ns

- [1] Based on simulation; not tested in production.
- [2] Clock Divider register (DIV) = 0x0.
- [3] Typical ratings are not guaranteed.
- [4] The Flexcomm Interface function clock frequency should not be above 48 MHz. See the data rates section in the I²S chapter (UM11424) to calculate clock and sample rates.
- [5] Based on simulation. Not tested in production.

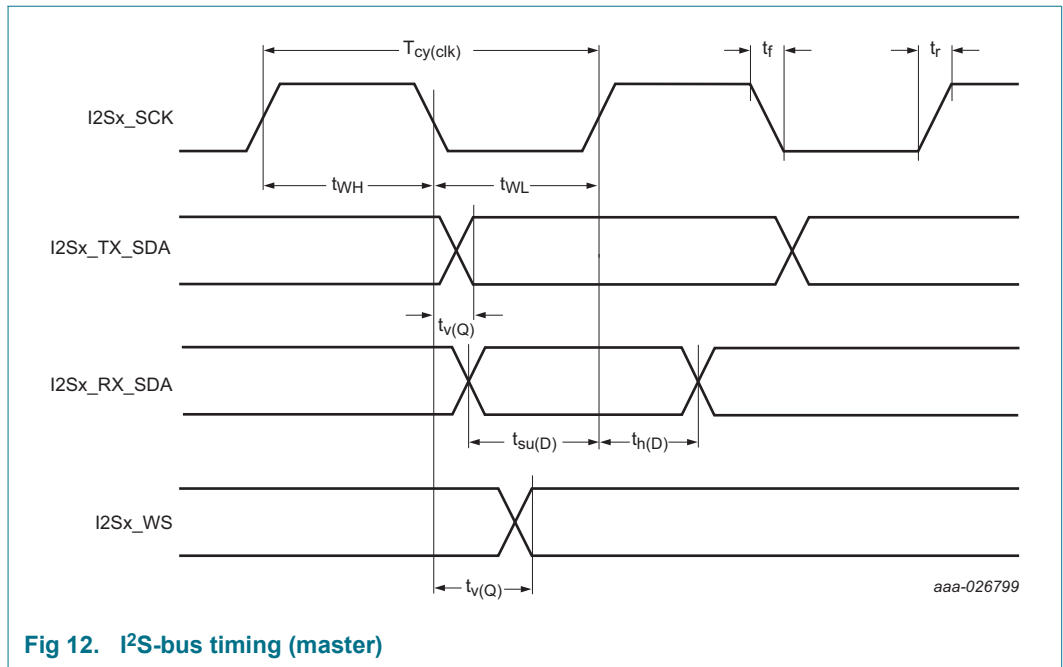


Fig 12. I²S-bus timing (master)

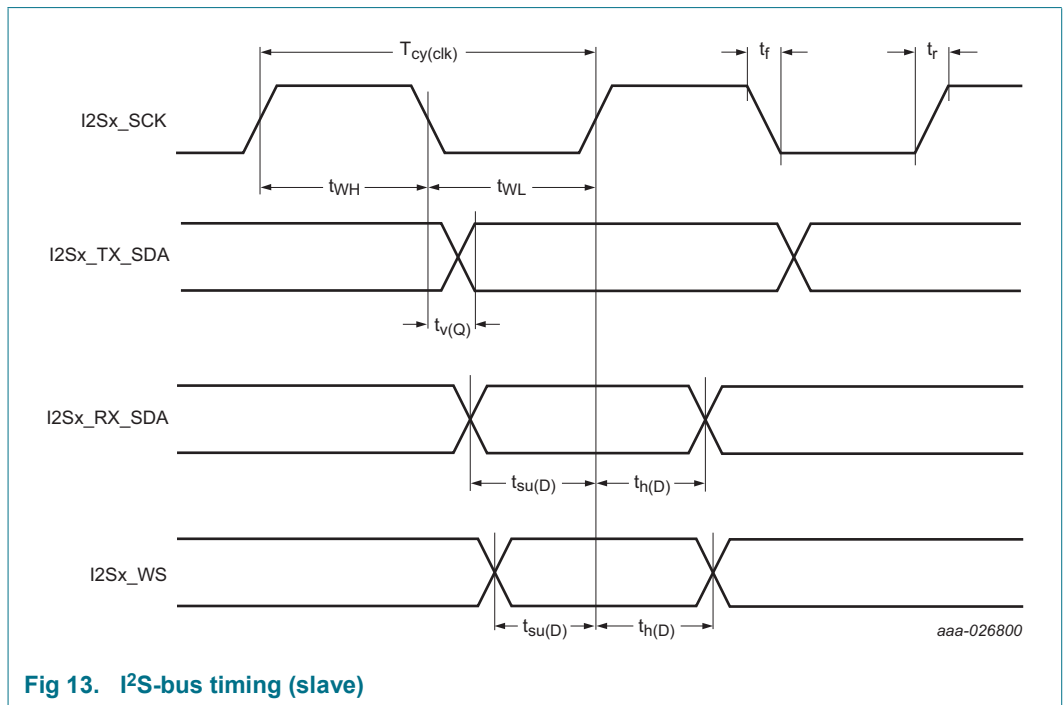


Fig 13. I²S-bus timing (slave)

11.11 SPI interface (Flexcomm Interfaces 0 - 7)

The actual SPI bit rate depends on the delays introduced by the external trace, the external device, system clock (CCLK), and capacitive loading.

Excluding delays introduced by external device and PCB, the maximum supported bit rate for SPI master mode (transmit/receive) is 32 Mbit/s.

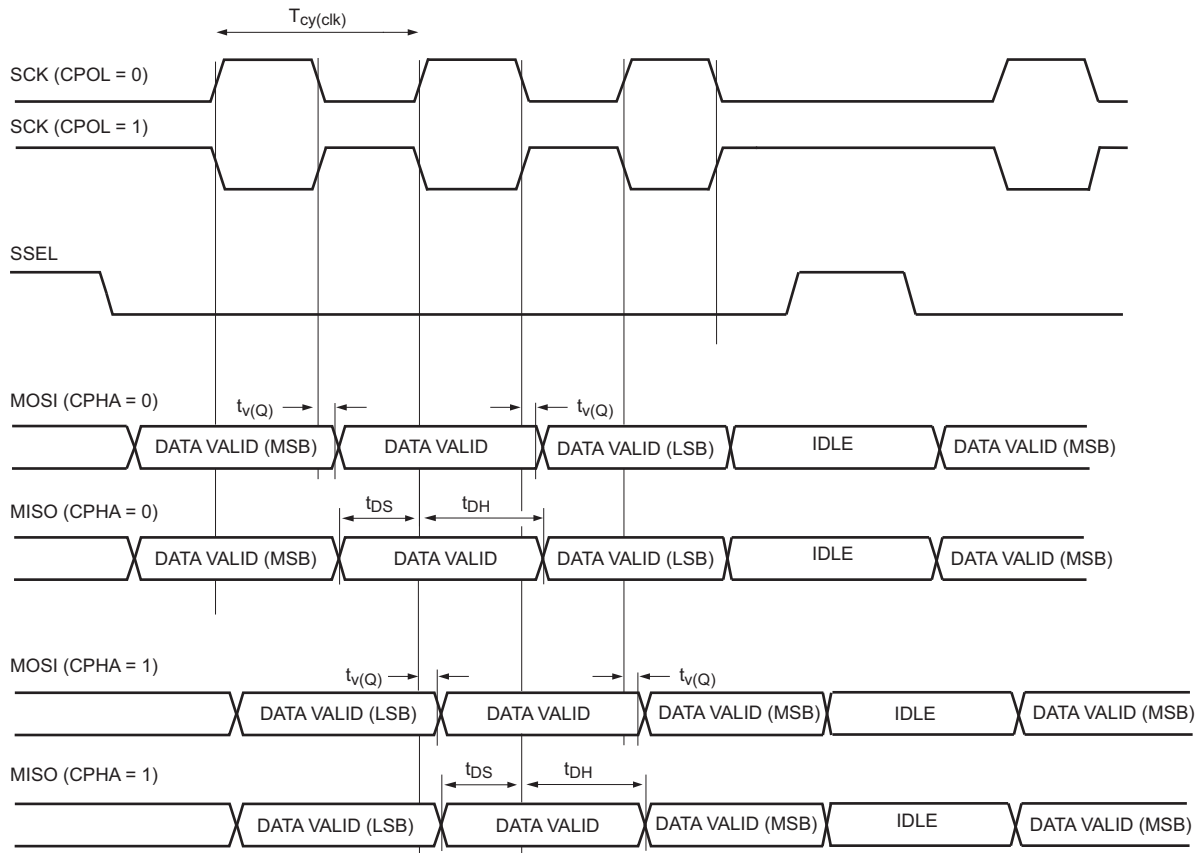
Excluding delays introduced by external device and PCB, the maximum supported bit rate for SPI slave receive mode is 50 Mbit/s and for slave transmit mode is 16 Mbit/s.

Table 35. SPI dynamic characteristics^[1]

$T_{amb} = -40\text{ }^{\circ}\text{C}$ to $105\text{ }^{\circ}\text{C}$; $V_{DD} = 1.8\text{ V}$ to 3.6 V ; $C_L = 10\text{ pF}$ balanced loading on all pins; Input slew = 1 ns , SLEW setting = fast mode for all pins;. Parameters sampled at the 50% level of the rising or falling edge.

Symbol	Parameter	Conditions	Min	Typ	Max	Unit
SPI master						
t_{DS}	data set-up time		5	-	-	ns
t_{DH}	data hold time		0	-	-	ns
$t_{V(Q)}$	data output valid time		5	-	13	ns
SPI slave						
t_{DS}	data set-up time		5	-	-	ns
t_{DH}	data hold time		0	-	-	ns
$t_{V(Q)}$	data output valid time		8	-	21	ns

[1] Based on simulated values. Not tested in production



aaa-014969

$T_{cy}(clk) = CCLK/DIVVAL$ with $CCLK =$ system clock frequency. $DIVVAL$ is the SPI clock divider. See the LPC55S0x/LPC550x *User manual*.

Fig 14. SPI master timing

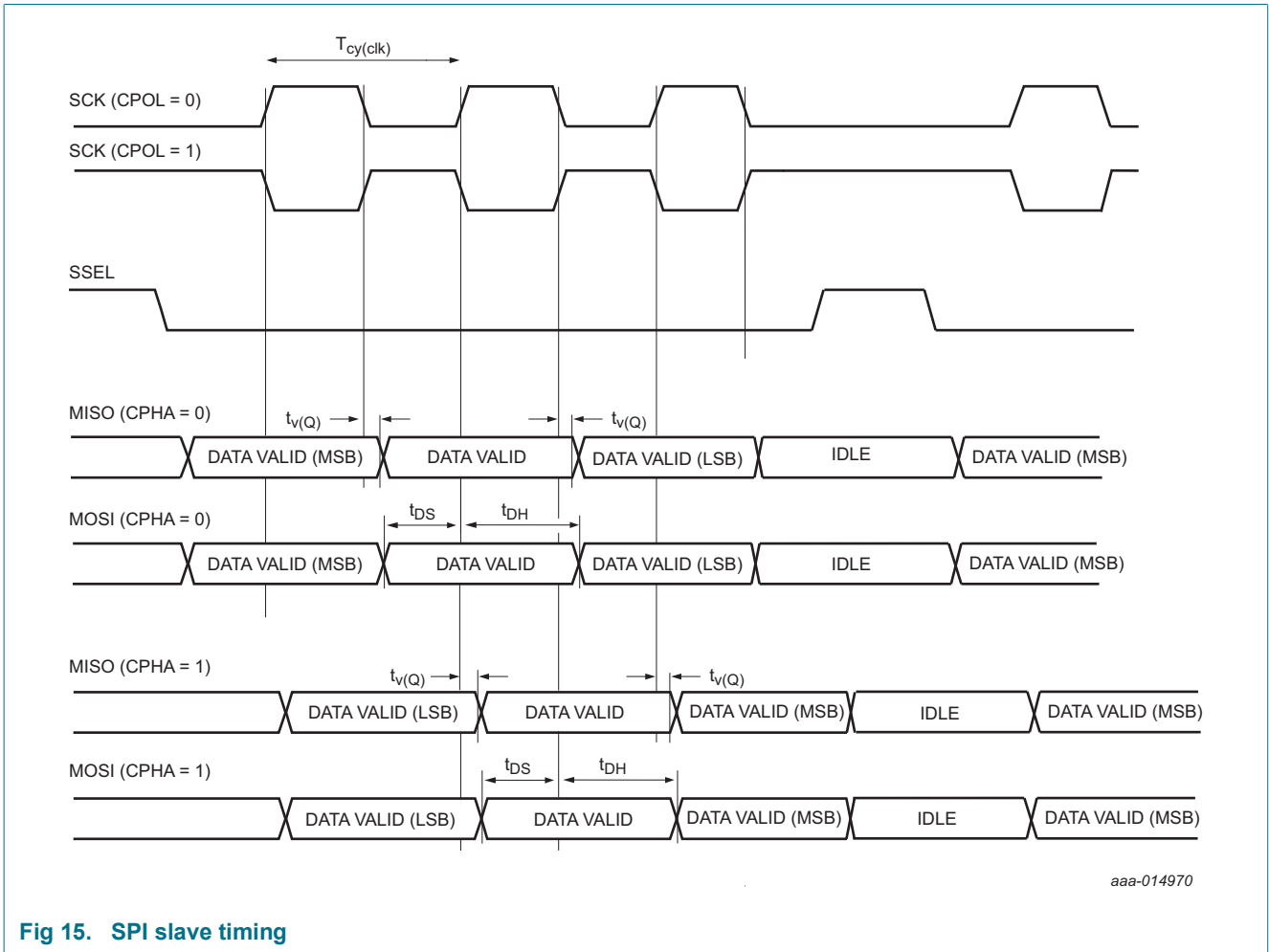


Fig 15. SPI slave timing

11.12 High-Speed SPI interface (Flexcomm Interface 8)

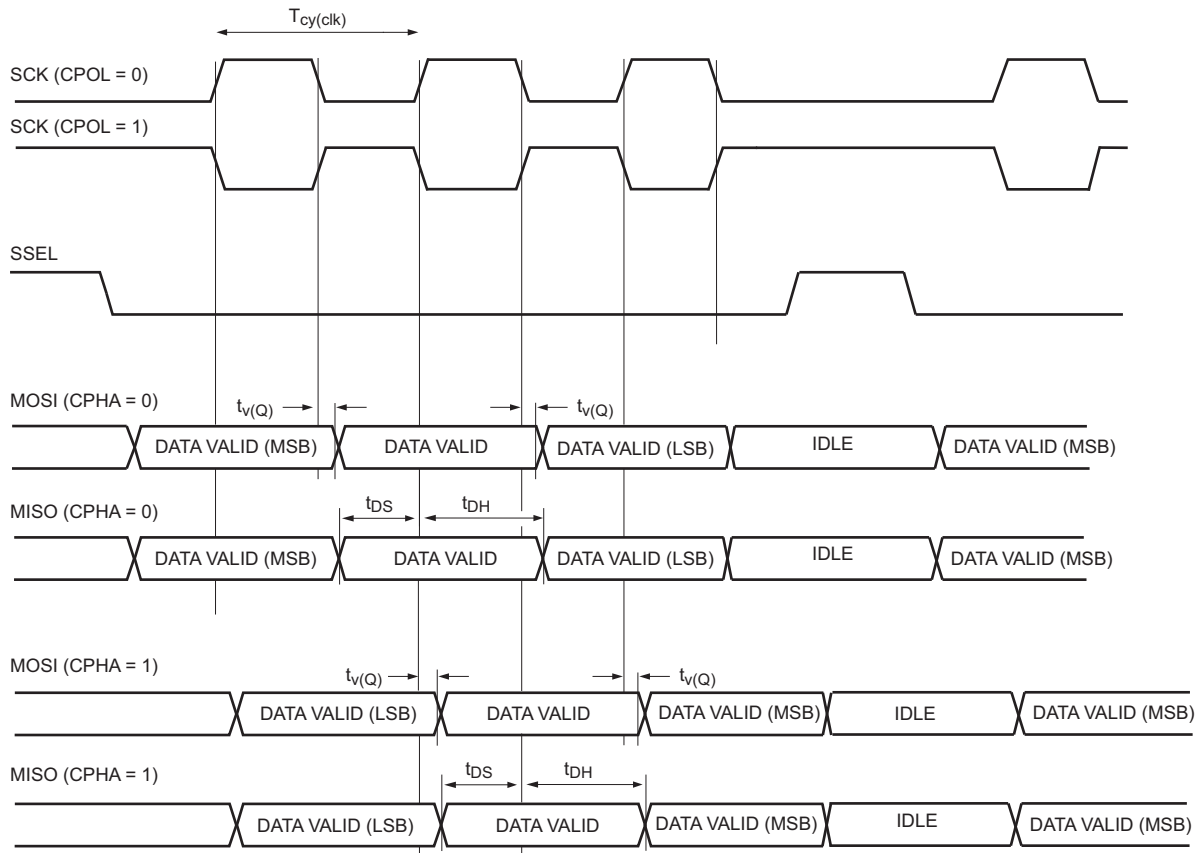
The actual SPI bit rate depends on the delays introduced by the external trace, the external device, system clock (CCLK), and capacitive loading. Excluding delays introduced by external device and PCB, the maximum supported bit rate for SPI master mode (transmit/receive) and for SPI slave mode (transmit/receive) is 50 Mbit/s.

Table 36. SPI dynamic characteristics^[1]

$T_{amb} = -40\text{ }^{\circ}\text{C}$ to $105\text{ }^{\circ}\text{C}$; $V_{DD} = 1.8\text{ V}$ to 3.6 V ; $C_L = 10\text{ pF}$ balanced loading on all pins; Input slew = 1 ns , SLEW setting = fast mode for all pins; Parameters sampled at the 50% level of the rising or falling edge.

Symbol	Parameter	Conditions	Min	Typ	Max	Unit
SPI master						
t_{DS}	data set-up time		4	-	-	ns
t_{DH}	data hold time		0	-	-	ns
$t_{V(Q)}$	data output valid time		3	-	8	ns
SPI slave						
t_{DS}	data set-up time		4	-	-	ns
t_{DH}	data hold time		0	-	-	ns
$t_{V(Q)}$	data output valid time		6	-	15	ns

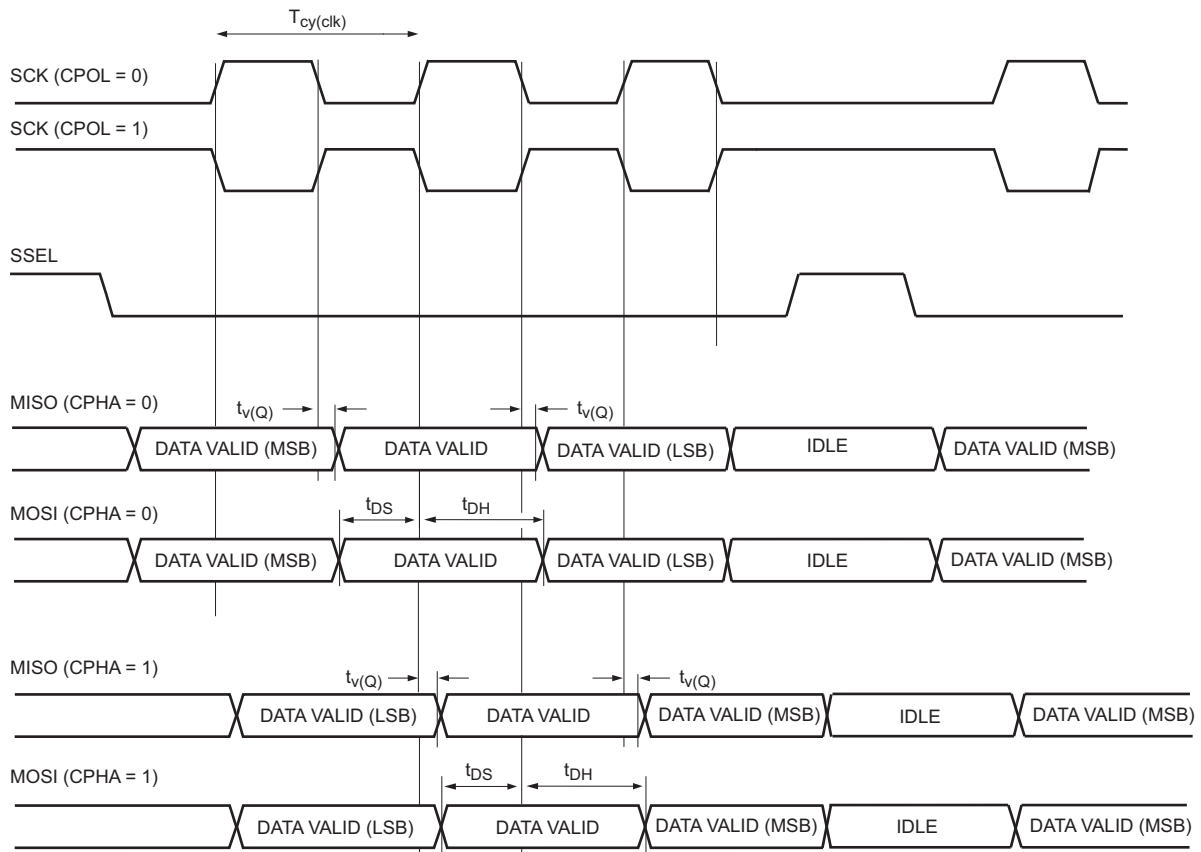
[1] Based on simulated values. Not tested in production.



aaa-014969

$T_{cy}(clk) = CCLK/DIVVAL$ with $CCLK =$ system clock frequency. $DIVVAL$ is the SPI clock divider. See the LPC55S0x/LPC550x *User manual*.

Fig 16. SPI master timing



aaa-014970

Fig 17. SPI slave timing

11.13 USART interface

The actual USART bit rate depends on the delays introduced by the external trace, the external device, system clock (CCLK), and capacitive loading. Excluding delays introduced by external device and PCB, the maximum supported bit rate for USART master and slave synchronous mode is 25 Mbit/s. Excluding delays introduced by external device and PCB, the maximum supported bit rate for USART master and slave asynchronous mode is 10 Mbit/s.

Table 37. USART dynamic characteristics^[1]

$T_{amb} = -40\text{ °C to }105\text{ °C}$; $V_{DD} = 1.8\text{ V to }3.6\text{ V}$; $C_L = 10\text{ pF}$ balanced loading on all pins; Input slew = 1 ns, SLEW setting = fast-mode for all pins; Parameters sampled at the 50% level of the rising or falling edge.

Symbol	Parameter	Conditions	Min	Typ	Max	Unit
USART master (in synchronous mode)						
$t_{su(D)}$	data input set-up time		6	-	-	ns
$t_{h(D)}$	data input hold time		0	-	-	ns
$t_{v(Q)}$	data output valid time		5	-	11	ns
USART slave (in synchronous mode)						
$t_{su(D)}$	data input set-up time		6	-	-	ns
$t_{h(D)}$	data input hold time		0	-	-	ns
$t_{v(Q)}$	data output valid time		9	-	25	ns

[1] Based on simulated values. Not tested in production.

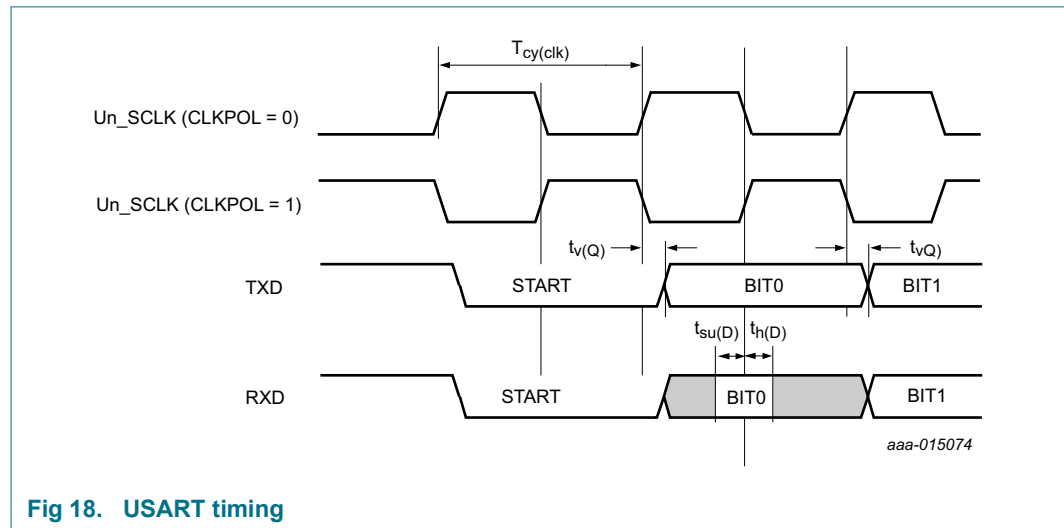


Fig 18. USART timing

12. Analog characteristics

12.1 BODVBAT

Brown-out detector to monitor the voltage of VBAT. If the voltage falls below one of the selected voltages, the BOD asserts an interrupt to the NVIC or issues a reset. Single low threshold detection level (programmable trip low level) is used for either BOD interrupt or BOD reset. Hysteresis control on the BOD is programmable. Please refer to LPC55S0x/LPC550x user manual for further details.

Table 38. BOD static characteristics

$T_{amb} = 25\text{ }^{\circ}\text{C}$; based on characterization; not tested in production. Please refer to UM11126 for further details.

Symbol	Parameter	Conditions	Min	Typ	Max	Unit
V_{th}	threshold voltage (TRIGLVL)		-	1.75	-	V
			-	1.80	-	V
			-	1.90	-	V
			-	2.00	-	V
			-	2.10	-	V
			-	2.20	-	V
			-	2.30	-	V
			-	2.40	-	V
			-	2.50	-	V
			-	2.60	-	V
			-	2.70	-	V
			-	2.80	-	V
			-	2.90	-	V
			-	3.00	-	V
			-	3.10	-	V
			-	3.20	-	V
			-	3.30	-	V

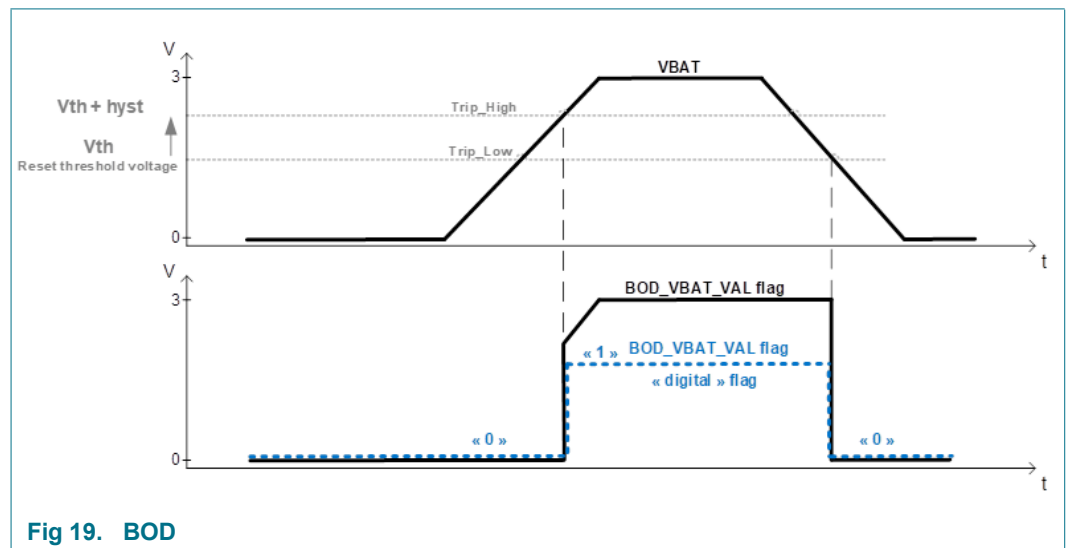


Fig 19. BOD

12.2 16-bit ADC characteristics [11]

Table 39. 16-bit ADC static characteristics

$T_{amb} = -40\text{ °C to }+105\text{ °C}$; $V_{DDA} = 1.8\text{ V to }3.6\text{ V}$; ADC calibrated at $T = 25\text{ °C}$.

Symbol	Parameter	Conditions	Min ^[2]	Typ ^[2]	Max ^[2]	Unit
V_{IA}	analog input voltage		0	-	V_{DDA}	V
CADIN	input capacitance		-	-	5	pF
$f_{clk(ADC)}$	ADC input clock frequency	Low Power Mode (PWRSEL=00)	4	-	24	MHz
		High Speed Mode (PWRSEL=11)	4	-	48	MHz
f_s	sampling frequency	12-bit, MODE=0. ADCLK =48MHz, AVG=1,STS=3,PWRSEL=3	-	-	2.3	Msamples/s
		16-bit, MODE=1. ADCLK =48MHz, AVG=1,STS=3,PWRSEL=3	-	-	2.0	Msamples/s
E_D	differential linearity error	16-bit differential mode, CTYPE = 2 [1][2][3][4][5]	-0.99	-	2.6	LSB
		16-bit single ended mode, CTYPE = 1 [1][2][3][4][5]	-1	-	9.5	LSB
$E_{L(adj)}$	integral non-linearity	16-bit differential mode, CTYPE = 2 [1][2][3][4][6]	-16	-	16	LSB
		16-bit single ended mode, CTYPE = 1 [1][2][3][4][6]	-12	-	12	LSB
E_O	offset error	Calibrated, Offset = -16 VREFP = 3 V [1][8]	-	12	-	LSB
$V_{err(FS)}$	full-scale error voltage	Calibrated, Offset = -16 VREFP = 3 V [1][2]	-	54	-	LSB
ENOB	[L:] Effective number of bits	12-bit single ended mode, CTYPE = 0,1,3 [10]	-	11.5	-	bits
		16-bit differential mode, CTYPE = 2 [9]	-	12.6	-	bits
		16-bit single ended mode, CTYPE = 0,1,3 [9]	-	12.1	-	bits
		16-bit differential mode, CTYPE=2 [10]	-	12.7	-	bits
		16-bit single ended mode, CTYPE=0,1,3 [10]	-	12.1	-	bits
THD	[L:] Total Harmonic Distortion	16-bit differential mode, CTYPE = 2 [10]	-	92	-	dB
		16-bit single ended mode, CTYPE = 1 [10]	-	80	-	
SFDR	[L:] Spurious Free Dynamic Range	16-bit differential mode, CTYPE = 2 [10]	-	92	-	dB
		16-bit single ended mode, CTYPE = 1 [10]	-	80	-	dB
SNR	Signal to Noise Ratio	16-bit differential mode, CTYPE = 2 [10]	-	78	-	dB
		16-bit single ended mode, CTYPE = 1 [10]	-	74	-	dB
tADCSTUP	Analog startup time	Wait time after setting ADC_CTRL[ADCEN] [10] [12]	-	5	-	us

[1] Linear data collected using a linear histogram technique.

- [2] The values listed are typical values and are not guaranteed. Based on characterization. Not tested in production. If VREFP is less than VDDA, then voltage inputs greater than VREFP and less than VDDA are allowed but result in a full scale conversion result.
- [3] $f_{clk(ADC)} = 24$ MHz, STS = 3, Power select = 1, Average setting = 1, $f_s = 1$ Msample/s
- [4] Differential linear results assume offset 0.2% from VREFL and 0.2% from VREFH
- [5] The differential linearity error (E_D) is the difference between the actual step width and the ideal step width.
- [6] The integral non-linearity ($E_{L(adj)}$) is the peak difference between the center of the steps of the actual and the ideal transfer curve after appropriate adjustment of gain and offset errors.
- [7] The offset error (E_O) is the absolute difference between the straight line which fits the actual curve and the straight line which fits the ideal curve $VDDA = VREFP = 3.0$ V. For best performance, force the offset calibration to -16. Set this prior to performing the gain calibration
- [8] The full-scale error voltage or gain error (E_G) is the difference between the straight-line fitting the actual transfer curve after removing offset error, and the straight line which fits the ideal transfer curve.
- [9] Input data is 1kHz sine wave, ADC conversion clock 24 MHz, Power Select = 3, Average setting = 1, STS = 3.
- [10] Input data is 1kHz sine wave, ADC conversion clock 48 MHz, Power Select = 3, Average setting = 1, STS = 3.
- [11] For 16-bit mode:
 Sampling frequency = 48 MHz / (20.5 (conversion cycles) + sample cycles (STS bit in CMDH register)).
 So for minimum sample time of 3.5 ADCK cycles, the ADC conversion time = 48 / (20.5 + 3.5) = 2.0.
 For 12-bit mode:
 Sampling frequency = 48 MHz / (17.5 (conversion cycles) + sample cycles (STS bit in CMDH register)).
 So for minimum sample time of 3.5 ADCK cycles, the ADC conversion time = 48 / (17.5 + 3.5) = 2.3.
- [12] Value of ADC_CFG[PUDLY] * 4 * ADCclk must be > tADCSTUP.

12.2.1 ADC input resistance (Please refer to the ADC Inputs Selection & ADC programming table in the UM)

Table 40. ADC input resistance

$T_{amb} = -40$ °C to +105 °C

		Min	Typ	Max	Unit
R_i	input resistance				
	Fast Input Channels				
	PIO0_16/PIO0_23	-	1	2	kΩ
	PIO0_11/PIO0_10	-	1	2	kΩ
	PIO0_12/PIO0_15	-	1	2	kΩ
	PIO1_0/PIO0_31	-	1	2	kΩ
	Standard Input Channels				
	PIO1_9/PIO1_8	-	1.4	3.6	kΩ

12.3 Temperature sensor

Table 41. Temperature sensor static and dynamic characteristics [3]

$V_{BAT_PMU} = V_{BAT_DCDC} = V_{DD} = 3.0\text{ V}$

Symbol	Parameter	Conditions	Min	Typ	Max	Unit
DT_{sen}	sensor temperature accuracy	$T_{amb} = -40\text{ °C to }+105\text{ °C}$ [1]	-	-	4	°C
$t_{s(pu)}$	power-up settling time	[2]	-	5	-	µs

[1] Absolute temperature accuracy. Based on characterization, not tested in production.

[2] Typical values are derived from nominal simulation

[3] To use the temperature sensor, the maximum fclk(ADC) frequency is 6 MHz.

12.4 Comparator

Table 42. Comparator characteristics

$T_{amb} = -40\text{ °C to }+105\text{ °C unless noted otherwise; }V_{BAT_PMU} = 1.8\text{ V to }3.6\text{ V.}$

Symbol	Parameter	Conditions	Min	Typ ^[1]	Max	Unit
Static characteristics						
I_{DD}	supply current	Low Power Mode	-	2.5	-	µA
		Fast Mode	-	5	-	µA
V_{IC}	common-mode input voltage	Propagation delay; $V_{cm_min} = 0.1\text{ V to }V_{BAT_PMU}-0.1\text{ V}$	0	-	V_{BAT_PMU}	V
V_{offset}	offset voltage	Common mode input voltage < $V_{BAT_PMU} - 0.2\text{ V}$	0	-	10	mV
V_{offset}	offset voltage	Common mode input voltage (Range: $V_{BAT_PMU} - 0.2\text{ V:}V_{BAT_PMU} - 0.1\text{ V}$)	0	-	20	mV
Dynamic characteristics						
$t_{startup}$	start-up time	nominal process; $V_{BAT_PMU} = 3.3\text{ V; }T_{amb} = 25\text{ °C}$, Max overdrive with reference at mid-supply	-	3.3	-	µs

Table 42. Comparator characteristics ...continued

$T_{amb} = -40\text{ }^{\circ}\text{C}$ to $+105\text{ }^{\circ}\text{C}$ unless noted otherwise; $V_{BAT_PMU} = 1.8\text{ V}$ to 3.6 V .

Symbol	Parameter	Conditions	Min	Typ ^[1]	Max	Unit
t_{delay}	propagation delay time Low Power Mode negative input = $V_{BAT_PMU}/2$	$V_{overdrive} = 50\text{ mV}$	-	3100	-	ns
		$V_{overdrive} = \text{max}$ [2]	-	900	3000	ns
	propagation delay time Low Power Mode negative input = V_{BAT_PMU} - 0.1 V	$V_{overdrive} = 50\text{ mV}$	-	6000	-	ns
		$V_{overdrive} = \text{max}$ [2]	-	4400	-	ns
	propagation delay time Low Power Mode negative input = 0.1 V	$V_{overdrive} = 50\text{ mV}$	-	2300	-	ns
		$V_{overdrive} = \text{max}$	-	50	200	ns
	propagation delay time High Speed Mode negative input = $V_{BAT_PMU}/2$	$V_{overdrive} = 50\text{ mV}$	-	520	-	ns
		$V_{overdrive} = \text{max}$ [2]	-	210	300	ns
	propagation delay time High Speed Mode negative input = $V_{BAT_DCDC} - 0.1\text{ V}$	$V_{overdrive} = 50\text{ mV}$	-	1150	-	ns
		$V_{overdrive} = \text{max}$ [2]	-	790	-	ns
	propagation delay time High Speed Mode negative input = 0.1 V	$V_{overdrive} = 50\text{ mV}$	-	405	-	ns
		$V_{overdrive} = \text{max}$ [2]	-	40	100	ns
V_{hys}	hysteresis voltage ($V_{HYST_P} - V_{HYSY_N}$)	Common Mode Input Voltages in [vbat-300 mV: vbat-200 mV] range (See V_{in_N} in Figure 20)	-	150	300	mV
		Common Mode Input Voltages in [200 mV: Vbat - 300mV] range (See V_{in_N} in Figure 20)	-	100	200	mV
R_{lad}	ladder resistance	Resistive ladder, Divider ratio programmed with 5-bit control word. Entry point is either PIO1_19 or internal V_{BAT_PMU}	-	1.27	-	$M\Omega$

[1] Characterized on typical samples, not tested in production; $T_{amb} = 25\text{ }^{\circ}\text{C}$

[2] max is the difference between V_{BAT_PMU} and negative voltage level.

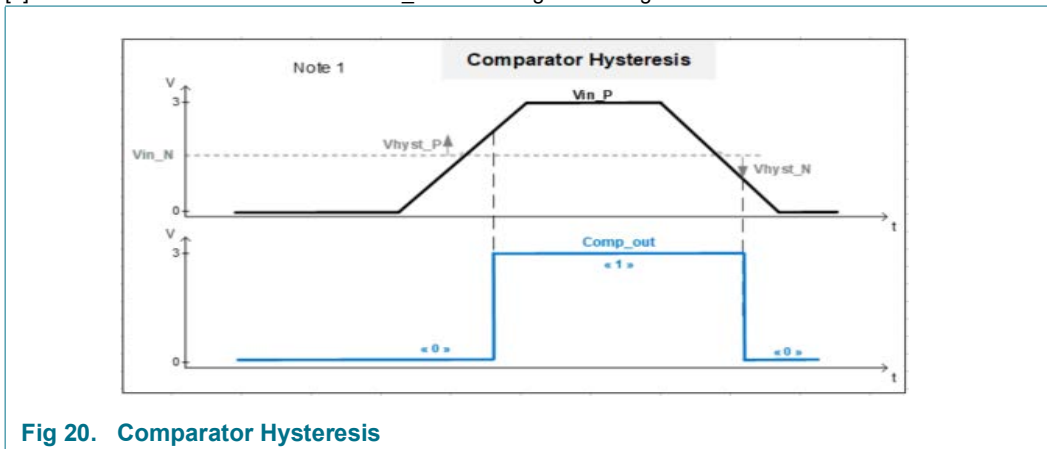


Fig 20. Comparator Hysteresis

13. Application information

13.1 Start-up behavior

Figure 21 shows the start-up timing after reset. The FRO oscillator provides the default clock at Reset and provides a clean system clock shortly after the supply pins reach operating voltage.

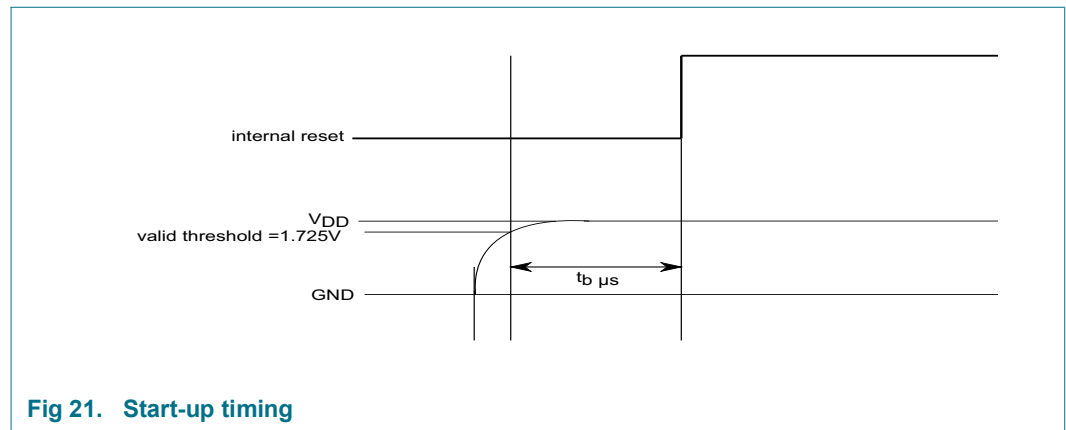


Table 43. Typical start-up timing parameters

Symbol	Parameter	Conditions
t_b	Internal reset de-asserted	540 μs typical, 1 ms worst case

13.2 I/O power consumption

I/O pins are contributing to the overall dynamic and static power consumption of the part. If pins are configured as digital inputs, a static current can flow depending on the voltage level at the pin and the setting of the internal pull-up and pull-down resistors. This current can be calculated using the parameters R_{pu} and R_{pd} given in Table 23 for a given input voltage V_I . For pins set to output, the current drive strength is given by parameters I_{OH} and I_{OL} in Table 23, but for calculating the total static current, you also need to consider any external loads connected to the pin.

I/O pins also contribute to the dynamic power consumption when the pins are switching because the V_{DD} supply provides the current to charge and discharge all internal and external capacitive loads connected to the pin in addition to powering the I/O circuitry.

The contribution from the I/O switching current I_{sw} can be calculated as follows for any given switching frequency f_{sw} if the external capacitive load (C_{ext}) is known (see Table 23 for the internal I/O capacitance):

$$I_{sw} = V_{DD} \times f_{sw} \times (C_{io} + C_{ext})$$

13.3 Crystal oscillator

The crystal oscillator has embedded capacitor bank where it can be used as an

integrated load capacitor for the crystal oscillators. The capacitor banks on each crystal pin can tune the frequency for crystals with a Capacitive Load (CL) between 6 to 10pF (IEC equivalent).

Simple APIs to configure the Capacitor Banks based on the crystal Capacitive Load (CL) and measured PCB parasitic capacitances on XIN and XOUT pins.

In the crystal oscillator circuit, only the crystal (XTAL) needs to be connected with the option to connect capacitances CX1 and CX2 on XTAL32M_P and XTAL32M_N pins. Depending upon the computation of the required Capacitance Load, there is no need to add some capacitance on PCB if computation is less than 20 pF (10 pF equivalent IEC), and if computation is greater than 20 pF (10 pF equivalent IEC), then additional capacitance is on PCB required. See [Figure 22](#) and refer to the “Cap Bank API” chapter in the user manual.

In bypass mode, an external clock (maximum frequency of up to 25 MHz) can also be connected to XTAL32M_P if XTAL32M_N is left open. External [0 – VH] square signal can be applied on the XTAL32M_P pin from 0 V to 850 mV.

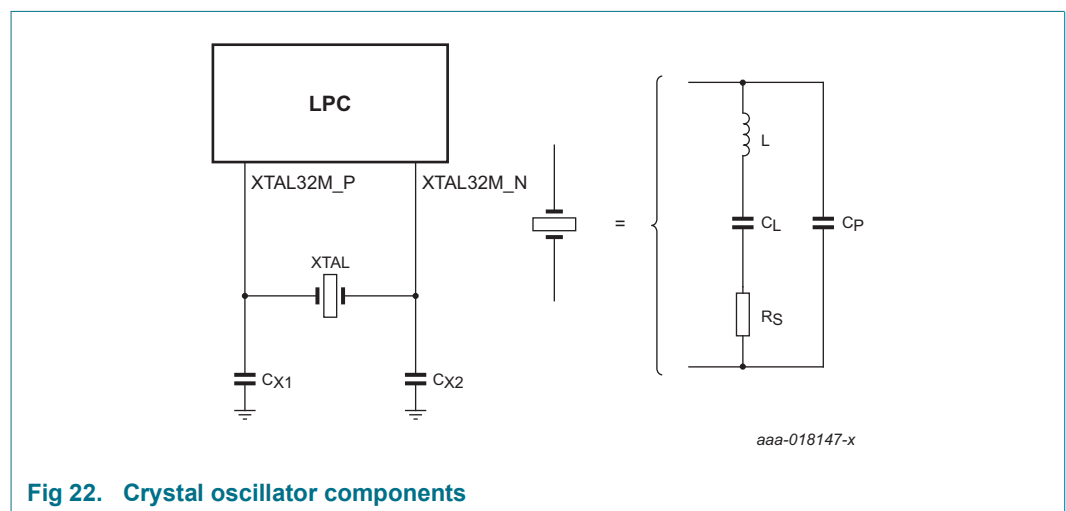


Fig 22. Crystal oscillator components

For best results, it is very critical to select a matching crystal for the on-chip oscillator. Load capacitance (CL), series resistance (RS), and drive level (DL) are important parameters to consider while choosing the crystal.

13.3.1 Crystal Printed Circuit Board (PCB) design guidelines

- Connect the crystal and external load capacitors on the PCB as close as possible to the oscillator input and output pins of the chip.
- The length of traces in the oscillation circuit should be as short as possible and must not cross other signal lines.
- Ensure that the load capacitors have a common ground plane.
- Loops must be made as small as possible to minimize the noise coupled in through the PCB and to keep the parasitics as small as possible.
- Lay out the ground (GND) pattern under crystal unit.
- Do not lay out other signal lines under crystal unit for multi-layered PCB.

13.4 RTC oscillator

The crystal oscillator has embedded capacitor bank where it can be used as an integrated load capacitor for the crystal oscillators. The capacitor banks on each crystal pin can tune the frequency for crystals with a Capacitive Load (CL) between 6 to 10pF (IEC equivalent).

Simple APIs to configure the Capacitor Banks based on the crystal Capacitive Load (CL) and measured PCB parasitic capacitances on XIN and XOUT pins.

In the crystal oscillator circuit, only the crystal (XTAL) needs to be connected with the option to connect capacitances CX1 and CX2 on XTAL32K_P and XTAL32K_N pins. Depending upon the computation of the required Capacitive Load, there is no need to add some capacitance on PCB if computation is less than 20 pF (10 pF equivalent IEC), and if computation is greater than 20 pF (10 pF equivalent IEC), then additional capacitance is on PCB required. See [Figure 23](#) and refer to the "Cap Bank API" chapter in the user manual.

In bypass mode, an external clock (maximum frequency of up to 100 kHz) can also be connected to XTAL32K_P if XTAL32K_N is left open. External [0 – VH] square signal can be applied on the XTAL32K_P pin with 1.1 V +/-10%

A external signal below 1.0 V or above 1.2 V cannot be applied

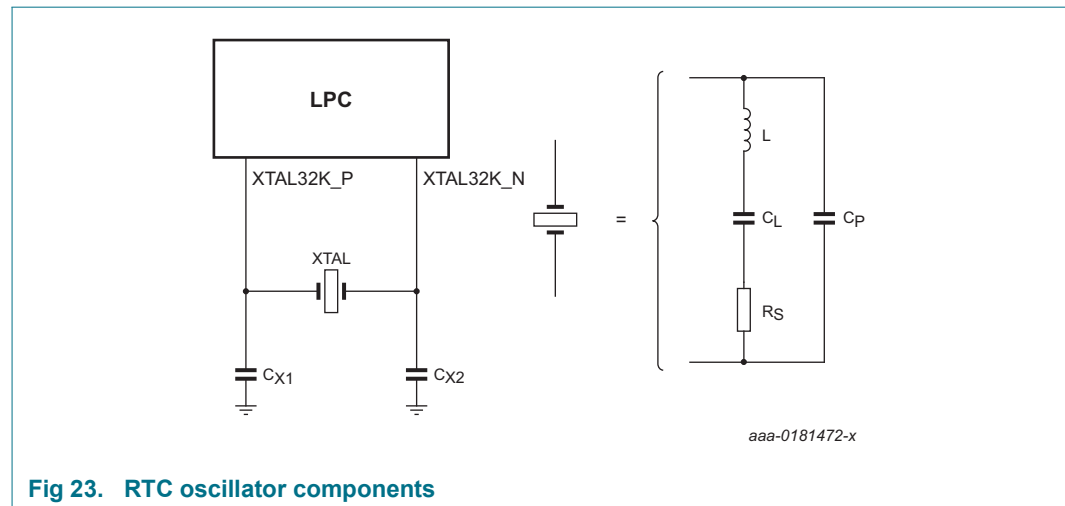


Fig 23. RTC oscillator components

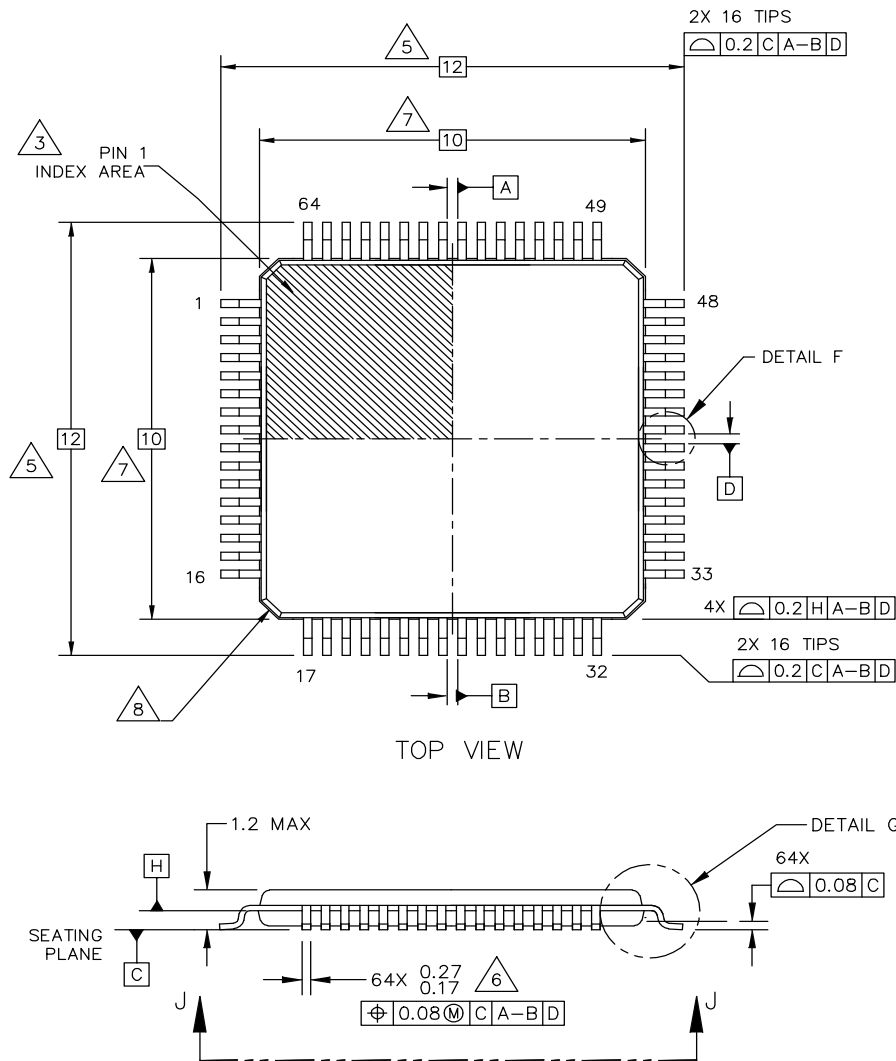
For best results, it is very critical to select a matching crystal for the on-chip oscillator. Load capacitance (CL), series resistance (RS), and drive level (DL) are important parameters to consider while choosing the crystal.

13.4.1 RTC Printed Circuit Board (PCB) design guidelines

- Connect the crystal and external load capacitors on the PCB as close as possible to the oscillator input and output pins of the chip.
- The length of traces in the oscillation circuit should be as short as possible and must not cross other signal lines.
- Ensure that the load capacitors have a common ground plane.

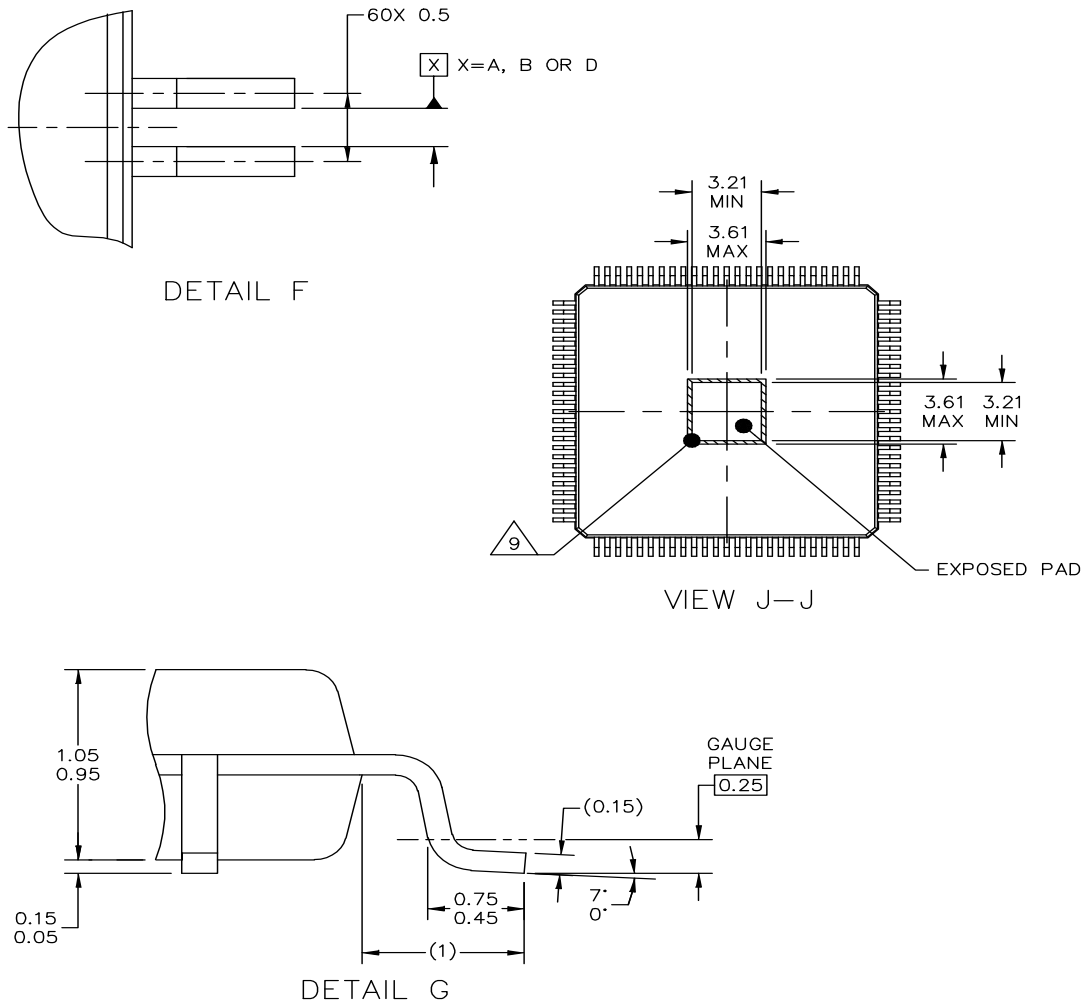
- Loops must be made as small as possible to minimize the noise coupled in through the PCB and to keep the parasitics as small as possible.
- Lay out the ground (GND) pattern under crystal unit.
- Do not lay out other signal lines under crystal unit for multi-layered PCB.

14. Package outline



© NXP B.V. ALL RIGHTS RESERVED		DATE: 18 DEC 2018	
MECHANICAL OUTLINE PRINT VERSION NOT TO SCALE	STANDARD: NON JEDEC	DRAWING NUMBER: 98ASA01376D	REVISION: O

Fig 24. HTQFP64 Package outline 1



© NXP B.V. ALL RIGHTS RESERVED

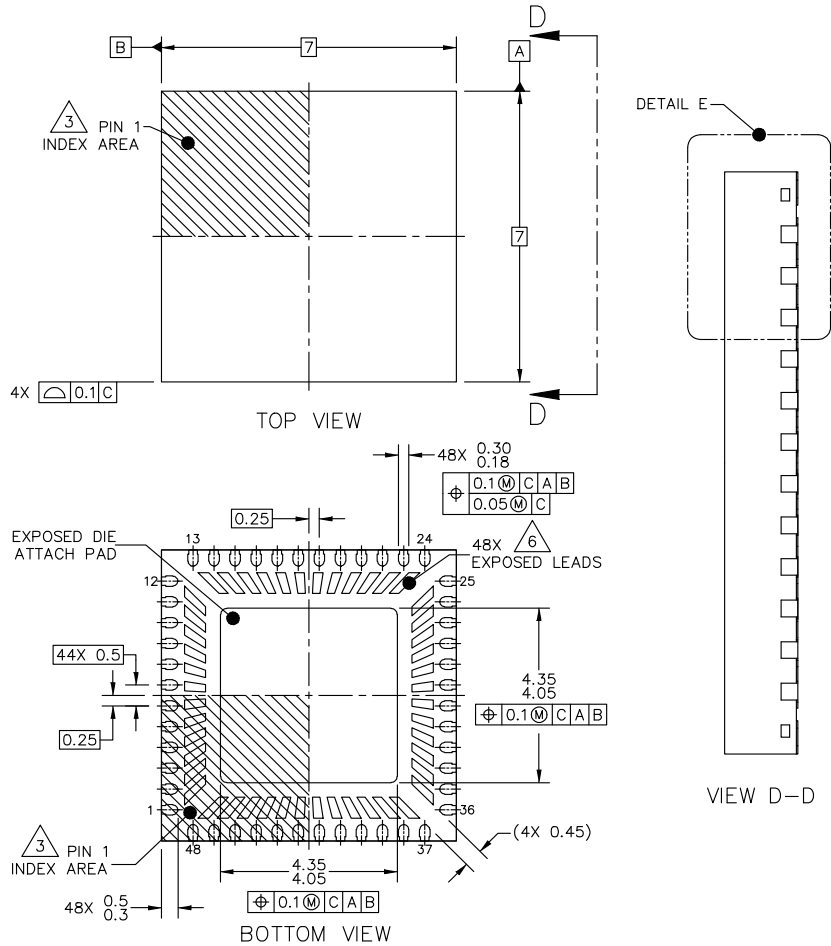
DATE: 18 DEC 2018

MECHANICAL OUTLINE PRINT VERSION NOT TO SCALE	STANDARD: NON JEDEC	DRAWING NUMBER: 98ASA01376D	REVISION: 0
--	------------------------	--------------------------------	----------------

Fig 25. HTQFP64 Package outline 2

H-PQFN-48 I/O
7 X 7 X 0.85 PKG, 0.5 PITCH

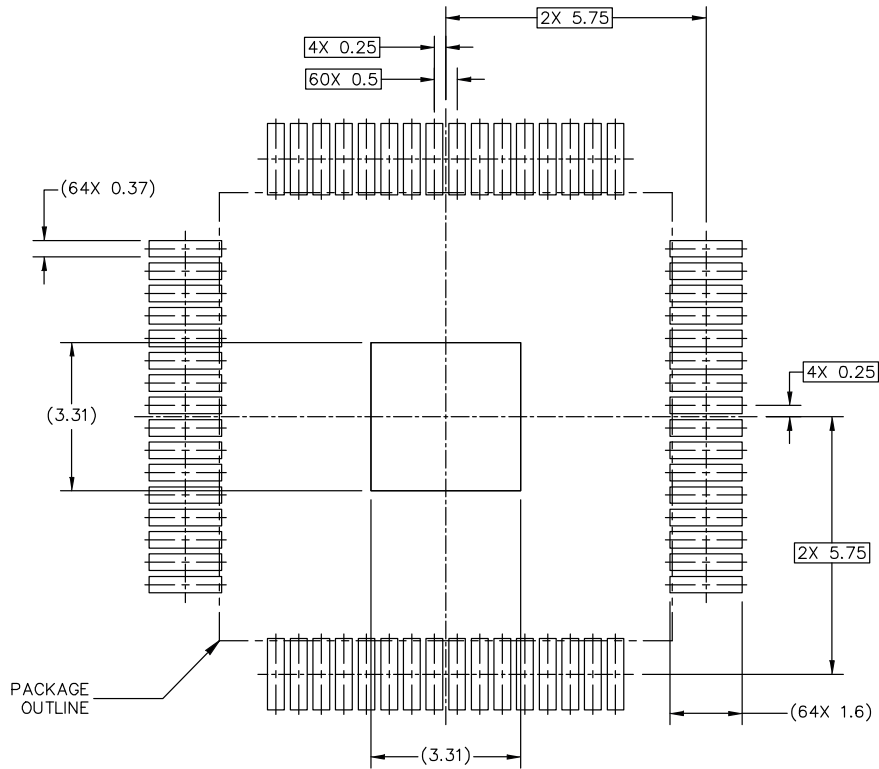
SOT619-28



© NXP B.V. ALL RIGHTS RESERVED		DATE: 03 JUL 2020	
MECHANICAL OUTLINE PRINT VERSION NOT TO SCALE	STANDARD: NON JEDEC	DRAWING NUMBER: 98ASA01637D	REVISION: O

Fig 26. HVQFN48 Package outline

15. Soldering



PCB DESIGN GUIDELINES – SOLDER MASK OPENING PATTERN

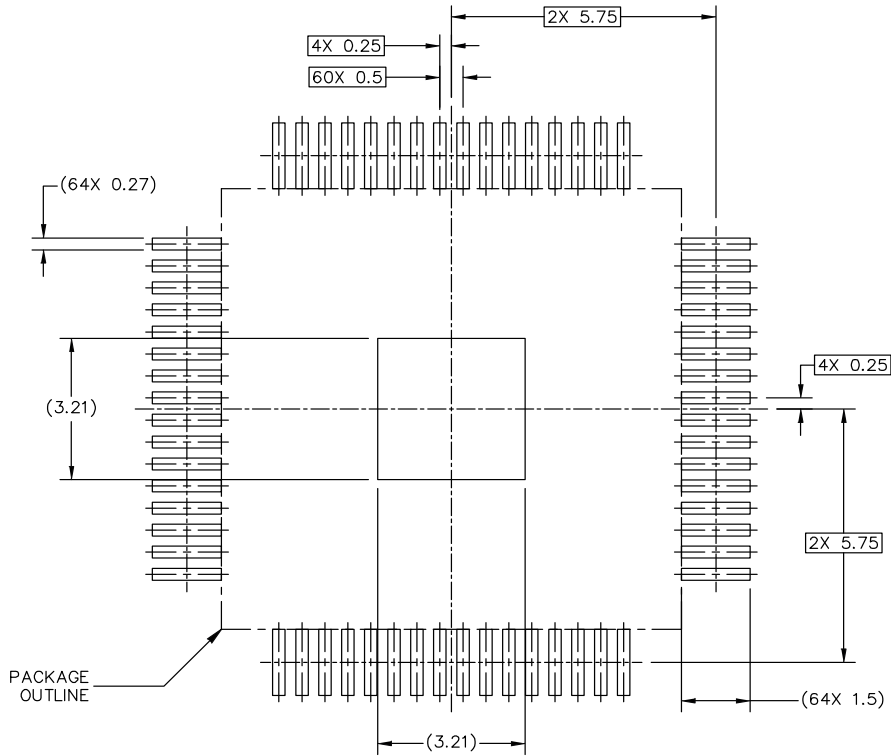
THIS SHEET SERVES ONLY AS A GUIDELINE TO HELP DEVELOP A USER SPECIFIC SOLUTION. DEVELOPMENT EFFORT WILL STILL BE REQUIRED BY END USERS TO OPTIMIZE PCB MOUNTING PROCESSES AND BOARD DESIGN IN ORDER TO MEET INDIVIDUAL/SPECIFIC REQUIREMENTS.

© NXP B.V. ALL RIGHTS RESERVED

DATE: 18 DEC 2018

MECHANICAL OUTLINE PRINT VERSION NOT TO SCALE	STANDARD: NON JEDEC	DRAWING NUMBER: 98ASA01376D	REVISION: 0	
--	------------------------	--------------------------------	----------------	--

Fig 27. HTQFP64 Soldering footprint part 1



PCB DESIGN GUIDELINES – I/O PADS AND SOLDERABLE AREA

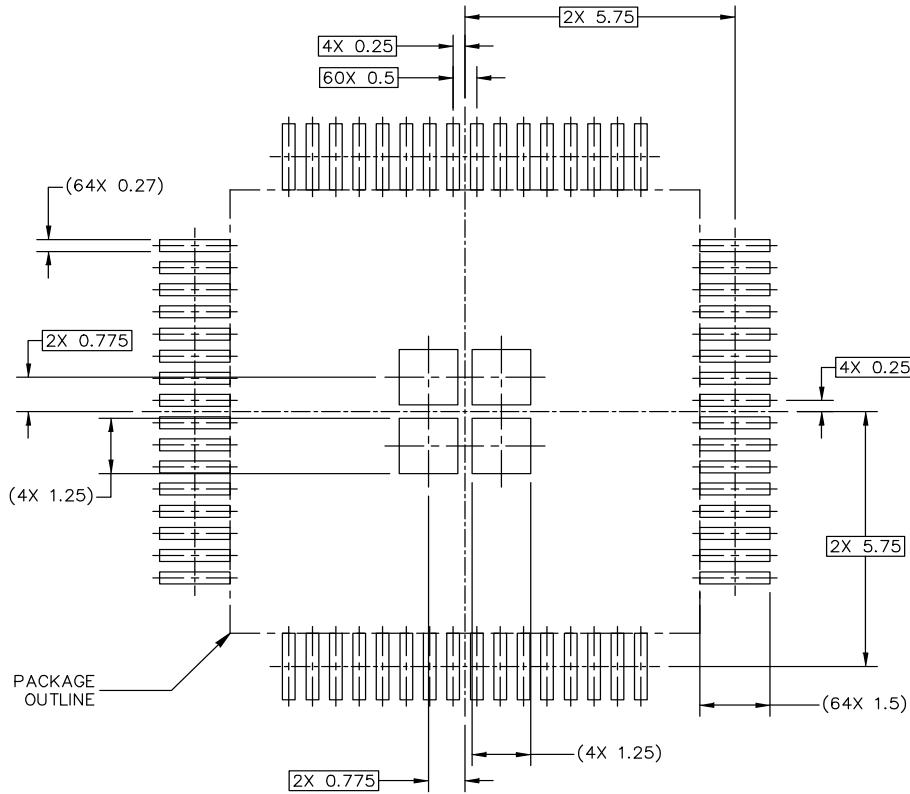
THIS SHEET SERVES ONLY AS A GUIDELINE TO HELP DEVELOP A USER SPECIFIC SOLUTION. DEVELOPMENT EFFORT WILL STILL BE REQUIRED BY END USERS TO OPTIMIZE PCB MOUNTING PROCESSES AND BOARD DESIGN IN ORDER TO MEET INDIVIDUAL/SPECIFIC REQUIREMENTS.

© NXP B.V. ALL RIGHTS RESERVED

DATE: 18 DEC 2018

MECHANICAL OUTLINE PRINT VERSION NOT TO SCALE	STANDARD: NON JEDEC	DRAWING NUMBER: 98ASA01376D	REVISION: 0	
--	------------------------	--------------------------------	----------------	--

Fig 28. HTQFP64 Soldering footprint part 2



RECOMMENDED STENCIL THICKNESS 0.125 OR 0.15

PCB DESIGN GUIDELINES – SOLDER PASTE STENCIL

THIS SHEET SERVES ONLY AS A GUIDELINE TO HELP DEVELOP A USER SPECIFIC SOLUTION. DEVELOPMENT EFFORT WILL STILL BE REQUIRED BY END USERS TO OPTIMIZE PCB MOUNTING PROCESSES AND BOARD DESIGN IN ORDER TO MEET INDIVIDUAL/SPECIFIC REQUIREMENTS.

© NXP B.V. ALL RIGHTS RESERVED

DATE: 18 DEC 2018

MECHANICAL OUTLINE PRINT VERSION NOT TO SCALE	STANDARD: NON JEDEC	DRAWING NUMBER: 98ASA01376D	REVISION: O	
--	------------------------	--------------------------------	----------------	--

Fig 29. HTQFP64 Soldering footprint part 3

NOTES:

1. DIMENSIONS ARE IN MILLIMETERS.
2. DIMENSIONING AND TOLERANCING PER ASME Y14.5M-1994.
3. PIN 1 FEATURE SHAPE, SIZE AND LOCATION MAY VARY.
4. DATUMS A, B AND D TO BE DETERMINED AT DATUM PLANE H.
5. DIMENSION TO BE DETERMINED AT SEATING PLANE C.
6. THIS DIMENSION DOES NOT INCLUDE DAMBAR PROTRUSION. ALLOWABLE DAMBAR PROTRUSION SHALL NOT CAUSE THE LEAD WIDTH TO EXCEED THE UPPER LIMIT BY MORE THAN 0.08MM AT MAXIMUM MATERIAL CONDITION. DAMBAR CANNOT BE LOCATED ON THE LOWER RADIUS OR THE FOOT. MINIMUM SPACE BETWEEN PROTRUSION AND ADJACENT LEAD SHALL NOT BE LESS THAN 0.07MM.
7. THIS DIMENSION DOES NOT INCLUDE MOLD PROTRUSION. ALLOWABLE PROTRUSION IS 0.25MM PER SIDE. THIS DIMENSION IS MAXIMUM PLASTIC BODY SIZE DIMENSION INCLUDING MOLD MISMATCH.
8. EXACT SHAPE OF EACH CORNER IS OPTIONAL.
9. HATCHED AREA TO BE KEEP OUT ZONE FOR PCB ROUTING.

© NXP B.V. ALL RIGHTS RESERVED

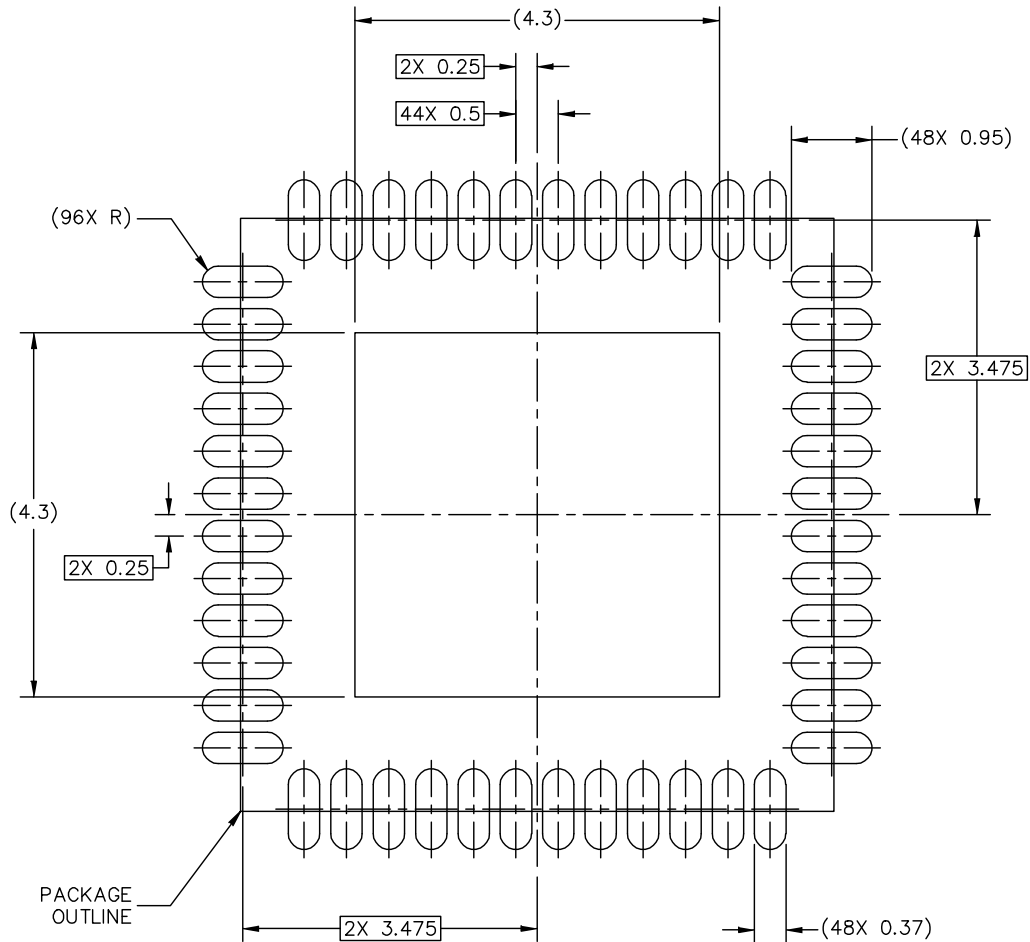
DATE: 18 DEC 2018

MECHANICAL OUTLINE PRINT VERSION NOT TO SCALE	STANDARD: NON JEDEC	DRAWING NUMBER: 98ASA01376D	REVISION: 0	
--	------------------------	--------------------------------	----------------	--

Fig 30. HTQFP64 Soldering footprint 4

H-PQFN-48 I/O
7 X 7 X 0.85 PKG, 0.5 PITCH

SOT619-28



PCB DESIGN GUIDELINES – SOLDER MASK OPENING PATTERN

THIS SHEET SERVES ONLY AS A GUIDELINE TO HELP DEVELOP A USER SPECIFIC SOLUTION. DEVELOPMENT EFFORT WILL STILL BE REQUIRED BY END USERS TO OPTIMIZE PCB MOUNTING PROCESSES AND BOARD DESIGN IN ORDER TO MEET INDIVIDUAL/SPECIFIC REQUIREMENTS.

© NXP B.V. ALL RIGHTS RESERVED

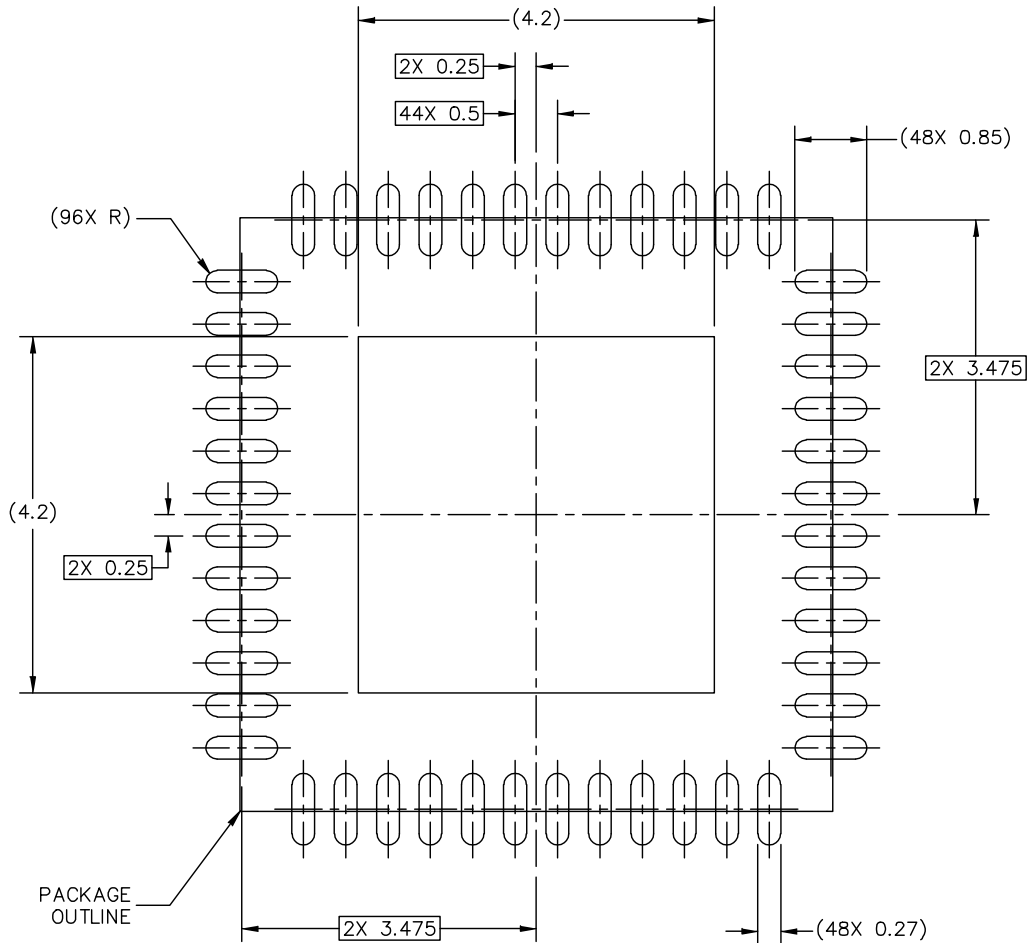
DATE: 03 JUL 2020

MECHANICAL OUTLINE PRINT VERSION NOT TO SCALE	STANDARD: NON JEDEC	DRAWING NUMBER: 98ASA01637D	REVISION: 0
--	------------------------	--------------------------------	----------------

Fig 31. HVQFN48 Soldering footprint 1

H-PQFN-48 I/O
7 X 7 X 0.85 PKG, 0.5 PITCH

SOT619-28



PCB DESIGN GUIDELINES – I/O PADS AND SOLDERABLE AREA

THIS SHEET SERVES ONLY AS A GUIDELINE TO HELP DEVELOP A USER SPECIFIC SOLUTION. DEVELOPMENT EFFORT WILL STILL BE REQUIRED BY END USERS TO OPTIMIZE PCB MOUNTING PROCESSES AND BOARD DESIGN IN ORDER TO MEET INDIVIDUAL/SPECIFIC REQUIREMENTS.

© NXP B.V. ALL RIGHTS RESERVED

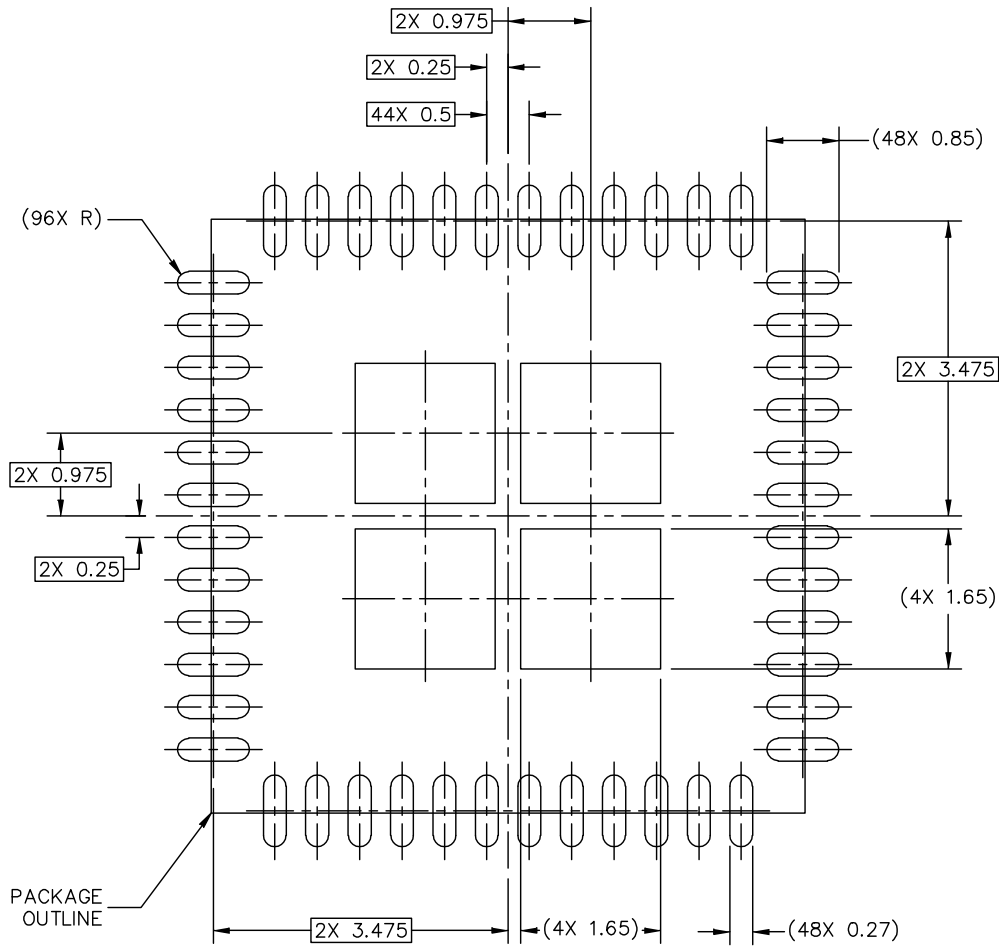
DATE: 03 JUL 2020

MECHANICAL OUTLINE PRINT VERSION NOT TO SCALE	STANDARD: NON JEDEC	DRAWING NUMBER: 98ASA01637D	REVISION: 0	
--	------------------------	--------------------------------	----------------	--

Fig 32. HVQFN48 Soldering footprint 2

H-PQFN-48 I/O
7 X 7 X 0.85 PKG, 0.5 PITCH

SOT619-28



RECOMMENDED STENCIL THICKNESS 0.125

PCB DESIGN GUIDELINES – SOLDER PASTE STENCIL

THIS SHEET SERVES ONLY AS A GUIDELINE TO HELP DEVELOP A USER SPECIFIC SOLUTION. DEVELOPMENT EFFORT WILL STILL BE REQUIRED BY END USERS TO OPTIMIZE PCB MOUNTING PROCESSES AND BOARD DESIGN IN ORDER TO MEET INDIVIDUAL/SPECIFIC REQUIREMENTS.

© NXP B.V. ALL RIGHTS RESERVED

DATE: 03 JUL 2020

MECHANICAL OUTLINE PRINT VERSION NOT TO SCALE	STANDARD: NON JEDEC	DRAWING NUMBER: 98ASA01637D	REVISION: 0	
--	------------------------	--------------------------------	----------------	--

Fig 33. HVQFN48 Soldering footprint 3

H-PQFN-48 I/O
7 X 7 X 0.85 PKG, 0.5 PITCH

SOT619-28

NOTES:

1. ALL DIMENSIONS ARE IN MILLIMETERS.
2. DIMENSIONING AND TOLERANCING PER ASME Y14.5M-1994.
3. PIN 1 FEATURE SHAPE, SIZE AND LOCATION MAY VARY.
4. COPLANARITY APPLIES TO LEADS AND DIE ATTACH FLAG.
5. MIN. METAL GAP FOR LEAD TO EXPOSED PAD SHALL BE 0.2 MM.
6. EXPOSED INNER LEADS ARE NOT TO BE SOLDERED TO THE PCB. THIS AREA MUST BE COVERED BY SOLDERMASK IN ORDER TO ROUTE IN THIS AREA.

© NXP B.V. ALL RIGHTS RESERVED

DATE: 03 JUL 2020

MECHANICAL OUTLINE PRINT VERSION NOT TO SCALE	STANDARD: NON JEDEC	DRAWING NUMBER: 98ASA01637D	REVISION: 0	
--	------------------------	--------------------------------	----------------	--

Fig 34. HVQFN48 Soldering footprint 4

16. Abbreviations

Table 44. Abbreviations

Acronym	Description
AHB	Advanced High-performance Bus
APB	Advanced Peripheral Bus
API	Application Programming Interface
DMA	Direct Memory Access
FRO oscillator	Internal Free-Running Oscillator, tuned to the factory specified frequency
GPIO	General Purpose Input/Output
FRO	Free Running Oscillator
LSB	Least Significant Bit
MCU	MicroController Unit
PDM	Pulse Density Modulation
PLL	Phase-Locked Loop
SPI	Serial Peripheral Interface
TCP/IP	Transmission Control Protocol/Internet Protocol
TTL	Transistor-Transistor Logic
USART	Universal Asynchronous Receiver/Transmitter

17. Revision history

Table 45. Revision history

Document ID	Release date	Data sheet status	Change notice	Supersedes
LPC55S0x/LPC550x v1.4	20230321	Product data sheet.		v1.3
		Updated Table 25 “Flash characteristics[2]” .		
LPC55S0x/LPC550x v1.3	20221215	Product data sheet.		v1.2
		<ul style="list-style-type: none"> In Table 3 “Pin description” removed remark “In ISP mode, this pin is set to the Flexcomm 3 SPI MISO function”. In Section 7.20.1 “Clock sources” updated crystal oscillator frequency “16 MHz to 32 MHz” (was “1 MHz to 12 MHz”). In Section 13.3 “Crystal oscillator” updated maximum frequency up to 25 MHz. USART3 and OSTIMER data added in Table 20 “Static characteristics: Power consumption in deep-sleep, power-down, and deep power-down modes”. Updated deep power-down mode in Table 20 “Static characteristics: Power consumption in deep-sleep, power-down, and deep power-down modes”. Added Section 13.1 “Start-up behavior”. Added Figure 1 “HTQFP64 package marking”. Added Table 17 “Static characteristics: Power consumption in active mode [5]” and Table 18 “Static characteristics: Power consumption in active mode[6]”. Updated minimum, maximum, and unit value of common to master and slave in Table 34 “Dynamic characteristics: I2S-bus interface pins [1][4]”. In footnote 7 of Table 39 “16-bit ADC static characteristics” added “For best performance, force the offset calibration to -16. Set this prior to performing the gain calibration”. In Table 3 “Pin description” updated “PLU_CLKIN” description in “PIO0_21” Symbol. In Table 3 “Pin description” updated “PLU_CLKIN” description in “PIO1_25” Symbol. Updated Paragraph 4 in Section 7.21.3 “Power-down mode”. Added Paragraph 5 in Section 7.21.3 “Power-down mode”. Updated SPI master mode (transmit/receive) from 50 Mbit/s to 32 Mbit/s in Section 7.24.1.2 “SPI serial I/O (SPIO) controller”[1]. Updated SPI slave transmit mode from 50 Mbit/s to 16 Mbit/s in Section 7.24.1.2 “SPI serial I/O (SPIO) controller”[1]. Updated Maximum bit rates from 6.25 Mbit/s to 10 Mbit/s and 10 Mbit/s to 25 Mbit/s Section 7.24.1.4 “USART”[1]. Updated SPI master mode (transmit/receive) from 50 Mbit/s to 32 Mbit/s in Section 11.11 “SPI interface (Flexcomm Interfaces 0 - 7)”. Updated SPI slave transmit mode from 25 Mbit/s to 16 Mbit/s in Section 11.11 “SPI interface (Flexcomm Interfaces 0 - 7)”. Updated Figure 5 “Using internal DC-DC converter”. Updated RAM2 (KB) and RAM 3 (KB) for 80 KB devices in Table 9 “RAM Configuration”. 		

Table 45. Revision history ...continued

Document ID	Release date	Data sheet status	Change notice	Supersedes
		<ul style="list-style-type: none"> In Table 3 “Pin description” updated Table note 3. Updated Table 38 “BOD static characteristics”. Operating frequency of crystal oscillator updated to 16 MHz instead of 12 MHz in Section 2 “Features and benefits” and Section 7.20.1 “Clock sources”. In Table 14 “General operating conditions” updated Table note 2 and 3. Updated Table note cross-reference in Table 20 “Static characteristics: Power consumption in deep-sleep, power-down, and deep power-down modes”. Updated frequency from 100 MHz to 96 MHz in Table note 2 Table 25 “Flash characteristics[2]”. Added tADCSTUP spec in Table 39 “16-bit ADC static characteristics”. Update Table footnote cross reference Table 3 “Pin description”. 		
		<ul style="list-style-type: none"> In Table 3 “Pin description” updated Table note [2]. In this table note, removed “Pulse width of spikes or glitches suppressed by input filter is from 3 ns to 16 ns (simulated value)”. Updated slave synchronous mode from 10 Mbit/s to 25 Mbit/s in Section 11.13 “USART interface”. Updated slave asynchronous mode from 6.25 Mbit/s to 10 Mbit/s in Section 11.13 “USART interface”. Updated Footnote 11 in Table 39 “16-bit ADC static characteristics”. Updated Tjmax (Device) and Tjmax (Silicon Process) details in Table 13 “Maximum Junction Temperature” 		
LPC55S0x/LPC550x v1.2	20210708	Product data sheet.	202108001I	v1.1
		Added new Section 11.1 “Power-up ramp conditions” .		
LPC55S0x/LPC550x v1.1	20210511	Product data sheet.		v1.0
		Updated DICE information in Section 1 “General description” , Section 2 “Features and benefits” , Section 7.9 “On-chip ROM” , and added Section 7.30.7 “Device Identifier Composition Engine (DICE)” . Updated wake-up pins information in Section 6.2 “Pin description” and Section 7.21.4 “Deep power-down mode” .		
LPC55S0x/LPC550x v1.0	20201019	Initial version.	-	-

continued >>

18. Contents

1	General description	1	7.22.1	Features	49
2	Features and benefits	1	7.23	Pin interrupt/pattern engine	50
3	Ordering information	6	7.23.1	Features	50
3.1	Ordering options	6	7.24	Communication peripherals	50
4	Marking	8	7.24.1	Flexcomm Interface serial communication	50
5	Block diagram	9	7.24.1.1	Features	50
6	Pinning information	10	7.24.1.2	SPI serial I/O (SPIO) controller	51
6.1	Pinning	10	7.24.1.3	I ² C-bus interface	51
6.2	Pin description	12	7.24.1.4	USART	52
6.2.1	Termination of unused pins	35	7.24.1.5	I ² S-bus interface	52
6.2.2	Using Internal DC-DC converter	36	7.24.2	High-speed SPI serial I/O controller	53
7	Functional description	37	7.24.2.1	Features	53
7.1	Architectural overview	37	7.25	CAN Flexible Data (CAN FD) interface	54
7.2	Arm Cortex-M33 processor	37	7.25.1	Features	54
7.3	Arm Cortex-M33 integrated Floating Point Unit (FPU)	37	7.26	Standard counter/timers (CT32B0 to 4)	54
7.4	Memory Protection Unit (MPU)	37	7.26.1	Features	54
7.5	Nested Vectored Interrupt Controller (NVIC) for Cortex-M33	38	7.26.2	SCTimer/PWM subsystem	55
7.5.1	Features	38	7.26.2.1	Features	55
7.5.2	Interrupt sources	38	7.26.3	Windowed WatchDog Timer (WWDT)	57
7.6	System Tick timer (SysTick)	38	7.26.3.1	Features	57
7.7	On-chip static RAM	38	7.27	Code WatchDog Timer (CWT)	57
7.8	On-chip flash	38	7.27.1	Features	57
7.9	On-chip ROM	38	7.27.2	RTC timer	57
7.10	Protected Flash Region (PFR)	40	7.27.2.1	Features	57
7.11	Memory mapping	40	7.27.3	Multi-Rate Timer (MRT)	58
7.12	AHB multilayer matrix	40	7.27.3.1	Features	58
7.13	Memory Protection Unit (MPU)	40	7.27.4	OS Timer	58
7.14	TrustZone and system mapping on this device	40	7.27.4.1	Features	58
7.15	Links to specific memory map descriptions and tables:	41	7.27.5	Micro-tick timer (UTICK)	58
7.16	Memory map overview	41	7.27.5.1	Features	58
7.17	APB peripherals	42	7.28	Digital peripherals	59
7.18	AHB peripherals	43	7.28.1	DMA controller	59
7.19	RAM configuration	44	7.28.1.1	Features	59
7.20	System control	44	7.28.2	Programmable Logic Unit (PLU)	59
7.20.1	Clock sources	44	7.28.2.1	Features	59
7.20.2	PLL (PLL0 and PLL1)	44	7.28.3	CRC engine	60
7.20.3	Clock generation	44	7.28.3.1	Features	60
7.20.4	Brownout detection	48	7.29	Analog peripherals	60
7.21	Power control	48	7.29.1	16-bit Analog-to-Digital Converter (ADC)	60
7.21.1	Sleep mode	48	7.29.1.1	Features	60
7.21.2	Deep-sleep mode	48	7.29.2	Comparator	61
7.21.3	Power-down mode	48	7.29.2.1	Features	61
7.21.4	Deep power-down mode	49	7.29.3	Temperature sensor	63
7.22	General Purpose I/O (GPIO)	49	7.30	Security Features	63
			7.30.1	AES engine	63
			7.30.1.1	Features	63
			7.30.2	HASH engine	63
			7.30.2.1	Features	63

7.30.3	PUF	64
7.30.3.1	Features	64
7.30.4	Random Number Generator	64
7.30.5	PRINCE On-the-fly encryption/decryption	64
7.30.6	Universally Unique Identifier (UUID)	65
7.30.7	Device Identifier Composition Engine (DICE)	65
7.30.8	Code Watchdog	65
7.31	Debug Mailbox and Authentication	65
7.32	Emulation and debugging	65
8	Limiting values	66
9	Thermal characteristics	68
10	Static characteristics	69
10.1	General operating conditions	69
10.2	CoreMark data	70
10.3	Power consumption	71
10.3.1	Peripheral Power Consumption	73
10.4	Pin characteristics	76
11	Dynamic characteristics	78
11.1	Power-up ramp conditions	78
11.2	Flash memory	78
11.3	I/O pins	79
11.4	Wake-up process	79
11.5	FRO (12 MHz/96 MHz)	80
11.6	FRO (1 MHz)	80
11.7	FRO (32 kHz)	80
11.8	RTC oscillator	80
11.9	I ² C-bus	81
11.10	I ² S-bus interface	83
11.11	SPI interface (Flexcomm Interfaces 0 - 7)	85
11.12	High-Speed SPI interface (Flexcomm Interface 8)	88
11.13	USART interface	91
12	Analog characteristics	92
12.1	BODVBAT	92
12.2	16-bit ADC characteristics [11]	94
12.2.1	ADC input resistance (Please refer to the ADC Inputs Selection & ADC programming table in the UM)	95
12.3	Temperature sensor	95
12.4	Comparator	96
13	Application information	98
13.1	I/O power consumption	98
13.2	Crystal oscillator	98
13.2.1	Crystal Printed Circuit Board (PCB) design guidelines	99
13.3	RTC oscillator	99
13.3.1	RTC Printed Circuit Board (PCB) design guidelines	100
14	Package outline	101
15	Soldering	104
16	Abbreviations	112
17	Revision history	113
18	Contents	114

How To Reach Us

Home Page:

nxp.com

Web Support:

nxp.com/support

Limited warranty and liability — Information in this document is believed to be accurate and reliable. However, NXP Semiconductors does not give any representations or warranties, expressed or implied, as to the accuracy or completeness of such information and shall have no liability for the consequences of use of such information. NXP Semiconductors takes no responsibility for the content in this document if provided by an information source outside of NXP Semiconductors. In no event shall NXP Semiconductors be liable for any indirect, incidental, punitive, special or consequential damages (including - without limitation - lost profits, lost savings, business interruption, costs related to the removal or replacement of any products or rework charges) whether or not such damages are based on tort (including negligence), warranty, breach of contract or any other legal theory.

Notwithstanding any damages that customer might incur for any reason whatsoever, NXP Semiconductors' aggregate and cumulative liability towards customer for the products described herein shall be limited in accordance with the Terms and conditions of commercial sale of NXP Semiconductors.

Right to make changes - NXP Semiconductors reserves the right to make changes to information published in this document, including without limitation specifications and product descriptions, at any time and without notice. This document supersedes and replaces all information supplied prior to the publication hereof.

Security — Customer understands that all NXP products may be subject to unidentified or documented vulnerabilities. Customer is responsible for the design and operation of its applications and products throughout their lifecycles to reduce the effect of these vulnerabilities on customer's applications and products. Customer's responsibility also extends to other open and/or proprietary technologies supported by NXP products for use in customer's applications. NXP accepts no liability for any vulnerability. Customer should regularly check security updates from NXP and follow up appropriately.

Customer shall select products with security features that best meet rules, regulations, and standards of the intended application and make the ultimate design decisions regarding its products and is solely responsible for compliance with all legal, regulatory, and security related requirements concerning its products, regardless of any information or support that may be provided by NXP. NXP has a Product Security Incident Response Team (PSIRT) (reachable at PSIRT@nxp.com) that manages the investigation, reporting, and solution release to security vulnerabilities of NXP products.

Suitability for use — NXP Semiconductors products are not designed, authorized or warranted to be suitable for use in life support, life-critical or safety-critical systems or equipment, nor in applications where failure or malfunction of an NXP Semiconductors product can reasonably be expected to result in personal injury, death or severe property or environmental damage. NXP Semiconductors and its suppliers accept no liability for inclusion and/or use of NXP Semiconductors products in such equipment or applications and therefore such inclusion and/or use is at the customer's own risk.

Non-automotive qualified products — Unless this data sheet expressly states that this specific NXP Semiconductors product is automotive qualified, the product is not suitable for automotive use. It is neither qualified nor tested in accordance with automotive testing or application requirements. NXP Semiconductors accepts no liability for inclusion and/or use of non-automotive qualified products in automotive equipment or applications.

In the event that customer uses the product for design-in and use in automotive applications to automotive specifications and standards, customer (a) shall use the product without NXP Semiconductors' warranty of the product for such automotive applications, use and specifications, and (b) whenever customer uses the product for automotive applications beyond NXP Semiconductors' specifications such use shall be solely at customer's own risk, and (c) customer fully indemnifies NXP Semiconductors for any liability, damages or failed product claims resulting from customer design and use of the product for automotive applications beyond NXP Semiconductors' standard warranty and NXP Semiconductors' product specifications.

Applications — Applications that are described herein for any of these products are for illustrative purposes only. NXP Semiconductors makes no representation or warranty that such applications will be suitable for the specified use without further testing or modification.

Customers are responsible for the design and operation of their applications and products using NXP Semiconductors products, and NXP Semiconductors accepts no liability for any assistance with applications or customer product

Table continues on the next page...

design. It is customer's sole responsibility to determine whether the NXP Semiconductors product is suitable and fit for the customer's applications and products planned, as well as for the planned application and use of customer's third party customer(s). Customers should provide appropriate design and operating safeguards to minimize the risks associated with their applications and products.

NXP Semiconductors does not accept any liability related to any default, damage, costs or problem which is based on any weakness or default in the customer's applications or products, or the application or use by customer's third party customer(s). Customer is responsible for doing all necessary testing for the customer's applications and products using NXP Semiconductors products in order to avoid a default of the applications and the products or of the application or use by customer's third party customer(s). NXP does not accept any liability in this respect.

Limiting values — Stress above one or more limiting values (as defined in the Absolute Maximum Ratings System of IEC 60134) will cause permanent damage to the device. Limiting values are stress ratings only and (proper) operation of the device at these or any other conditions above those given in the Recommended operating conditions section (if present) or the Characteristics sections of this document is not warranted. Constant or repeated exposure to limiting values will permanently and irreversibly affect the quality and reliability of the device.

Terms and conditions of commercial sale — NXP Semiconductors products are sold subject to the general terms and conditions of commercial sale, as published at <http://www.nxp.com/profile/terms>, unless otherwise agreed in a valid written individual agreement. In case an individual agreement is concluded only the terms and conditions of the respective agreement shall apply. NXP Semiconductors hereby expressly objects to applying the customer's general terms and conditions with regard to the purchase of NXP Semiconductors products by customer.

No offer to sell or license — Nothing in this document may be interpreted or construed as an offer to sell products that is open for acceptance or the grant, conveyance or implication of any license under any copyrights, patents or other industrial or intellectual property rights.

Hazardous voltage — Although basic supply voltages of the product may be much lower, circuit voltages up to 60 V may appear when operating this product, depending on settings and application. Customers incorporating or otherwise using these products in applications where such high voltages may appear during operation, assembly, test etc. of such application, do so at their own risk. Customers agree to fully indemnify NXP Semiconductors for any damages resulting from or in connection with such high voltages. Furthermore, customers are drawn to safety standards (IEC 950, EN 60 950, CENELEC, ISO, etc.) and other (legal) requirements applying to such high voltages.

Bare die — All die are tested on compliance with their related technical specifications as stated in this data sheet up to the point of wafer sawing and are handled in accordance with the NXP Semiconductors storage and transportation conditions. If there are data sheet limits not guaranteed, these will be separately indicated in the data sheet. There are no post-packing tests performed on individual die or wafers.

NXP Semiconductors has no control of third party procedures in the sawing, handling, packing or assembly of the die. Accordingly, NXP Semiconductors assumes no liability for device functionality or performance of the die or systems after third party sawing, handling, packing or assembly of the die. It is the responsibility of the customer to test and qualify their application in which the die is used. All die sales are conditioned upon and subject to the customer entering into a written die sale agreement with NXP Semiconductors through its legal department.

Quick reference data — The Quick reference data is an extract of the product data given in the Limiting values and Characteristics sections of this document, and as such is not complete, exhaustive or legally binding.

Export control — This document as well as the item(s) described herein may be subject to export control regulations. Export might require a prior authorization from competent authorities.

Evaluation products — This product is provided on an "as is" and "with all faults" basis for evaluation purposes only. NXP Semiconductors, its affiliates and their suppliers expressly disclaim all warranties, whether express, implied or statutory, including but not limited to the implied warranties of non-infringement, merchantability and fitness for a particular purpose. The entire risk as to the quality, or arising out of the use or performance, of this product remains with customer. In no event shall NXP Semiconductors, its affiliates or their suppliers be liable to customer for any special, indirect, consequential, punitive or incidental damages (including without limitation damages for loss of business, business interruption, loss of use, loss of data or information, and the like) arising out the use of or inability to use the

Table continues on the next page...

product, whether or not based on tort (including negligence), strict liability, breach of contract, breach of warranty or any other theory, even if advised of the possibility of such damages.

Notwithstanding any damages that customer might incur for any reason whatsoever (including without limitation, all damages referenced above and all direct or general damages), the entire liability of NXP Semiconductors, its affiliates and their suppliers and customer's exclusive remedy for all of the foregoing shall be limited to actual damages incurred by customer based on reasonable reliance up to the greater of the amount actually paid by customer for the product or five dollars (US\$5.00). The foregoing limitations, exclusions and disclaimers shall apply to the maximum extent permitted by applicable law, even if any remedy fails of its essential purpose.

Translations — A non-English (translated) version of a document is for reference only. The English version shall prevail in case of any discrepancy between the translated and English versions.

NXP, the NXP logo, NXP SECURE CONNECTIONS FOR A SMARTER WORLD, EdgeLock, are trademarks of NXP B.V. All other product or service names are the property of their respective owners. AMBA, Arm, Arm7, Arm7TDMI, Arm9, Arm11, Artisan, big.LITTLE, Cordio, CoreLink, CoreSight, Cortex, DesignStart, DynamIQ, Jazelle, Keil, Mali, Mbed, Mbed Enabled, NEON, POP, RealView, SecurCore, Socrates, Thumb, TrustZone, ULINK, ULINK2, ULINK-ME, ULINK-PLUS, ULINKpro, μ Vision, Versatile are trademarks or registered trademarks of Arm Limited (or its subsidiaries) in the US and/or elsewhere. The related technology may be protected by any or all of patents, copyrights, designs and trade secrets. All rights reserved.

© NXP B.V. 2020-2023.

All rights reserved.

For more information, please visit: <http://www.nxp.com>

For sales office addresses, please send an email to: salesaddresses@nxp.com

Date of release: 04/2023

Document identifier: LPC55S0x/LPC550x



X-ON Electronics

Largest Supplier of Electrical and Electronic Components

Click to view similar products for [ARM Microcontrollers - MCU category](#):

Click to view products by [NXP manufacturer](#):

Other Similar products are found below :

[R7FS3A77C2A01CLK#AC1](#) [R7FS7G27G2A01CLK#AC0](#) [R7FS7G27H2A01CLK#AC0](#) [MB96F119RBPMC-GSE1](#) [MB9BF122LPMC-G-JNE2](#) [MB9BF128SAPMC-GE2](#) [MB9BF529TBGL-GE1](#) [XMC4500-E144F1024 AC](#) [EFM32PG1B200F128GM48-C0](#) [CG8349AT](#)
[STM32F215ZET6TR](#) [26-21/R6C-AT1V2B/CT](#) [5962-8506403MQA](#) [STM32F769AIY6TR](#) [STM32L4R5ZIY6TR](#) [VA10800-D000003PCA](#)
[EFM32PG1B100F256GM32-C0](#) [EFM32PG1B200F256GM32-C0](#) [EFM32PG1B100F128GM32-C0](#) [STM32F779AIY6TR](#)
[MB9BF104NAPMC-G-JNE1](#) [CY8C4125FNI-S433T](#) [CY8C4247FNQ-BL483T](#) [CY8C4725LQI-S401](#) [K32L2A31VLH1A](#) [STM32G474PEI6](#)
[STM32G474PEI6TR](#) [MK26FN2M0CAC18R](#) [TM4C1231H6PMI7R](#) [S6J336CHTBSC20000](#) [STM32C011F4U6TR](#) [STM32C011F6P6](#)
[STM32C011F6U6TR](#) [STM32C031C6T6](#) [STM32C031F6P6](#) [STM32C031G6U6](#) [STM32F100CBT6](#) [STM32F401CCY6TR](#)
[STM32F413VGT6TR](#) [STM32H725AGI3](#) [STM32H725IGT3](#) [STM32L471RET3](#) [STM32MP133FAE7](#) [STM32U575VGT6](#) [STM32U575ZGT6](#)
[STM32WB10CCU5](#) [STM32WB15CCU6](#) [STM32WB35CEU6A](#) [STM32WB35CEU6ATR](#) [STR710RZH6](#)