

UM11505

LPCXpresso55S06 Development Boards

Rev. 1.2 — 19 February 2021

User manual

Document information

Info	Content
Keywords	LPC55S06, LPC55S0x, LPCXpresso55S06, LPC55S06-EVK
Abstract	LPCXpresso55S06 development board user manual



Revision history

Rev	Date	Description
1.2	20210219	Corrected Typo in Section 10 “Errata” , Changed A2 to A1
1.1	20210217	Information added in Section 10 “Errata”
1.0	20201005	Initial internal release.

Contact information

For more information, please visit: <http://www.nxp.com>

For sales office addresses, please send an email to: salesaddresses@nxp.com

1. Introduction

The LPCXpresso™ family of boards provides a powerful and flexible development system for NXP's LPC Cortex®-M family of MCUs. They can be used with a wide range of development tools, including NXP's MCUXpresso IDE, Keil uVISION and IAR Embedded Workbench. The LPCXpresso55S06 board (order code LPC55S06-EVK) is the evaluation and development platform for the LPC55S0x/LPC550x families of MCUs.

See <https://www.nxp.com/demoboard/LPC55S06-EVK> for more information on these boards, including tutorial videos, development software and board hardware design files. The abbreviation LPC55S0x is used to collectively refer to the LPC55S0x/LPC550x family device on the board.

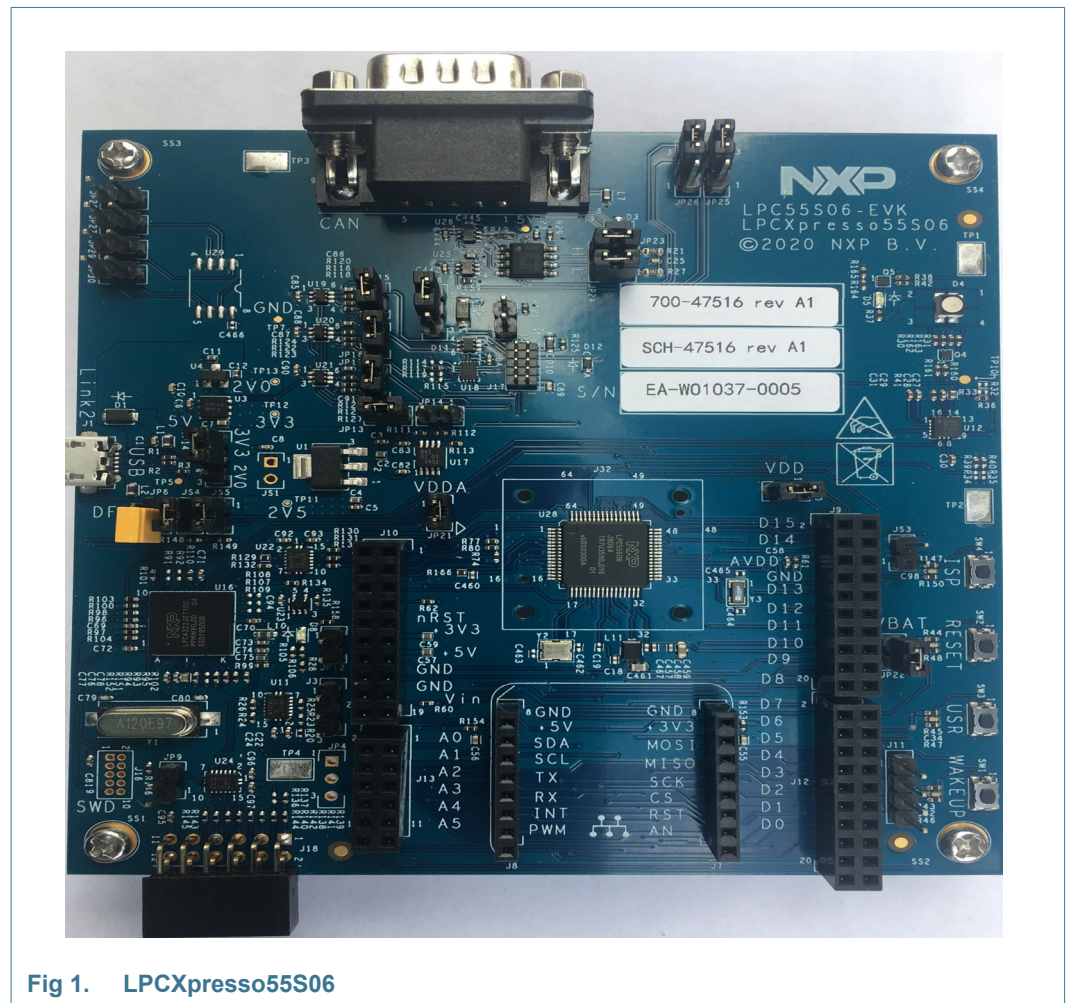


Fig 1. LPCXpresso55S06

The LPCXpresso55S06 board includes the following features:

- LPC55S06 Cortex-M33 processor
- Onboard, high-speed USB, Link2 debug probe with CMSIS-DAP and SEGGER J-Link protocol options

- UART and SPI port bridging from LPC55Sxx target to USB via the onboard debug probe
- Optional external debug probes with trace option (10 or 20 pin Cortex-M connectors)
- External crystal oscillators
- RGB user LED
- Reset, ISP, User/Wakeup and user buttons
- Multiple Expansion options, including Arduino UNO, Mikroe Click and PMod
- CAN-FD controller and onboard CAN transceiver
- NXP FXOS8700 accelerometer

2. Board layout and Settings

Figure 2 shows the layout of the board (top side), indicating the default location of the jumpers, while Figure 3 shows locations of the connectors and headers. Table 1 provides a description of connectors, jumpers, LEDs and buttons.

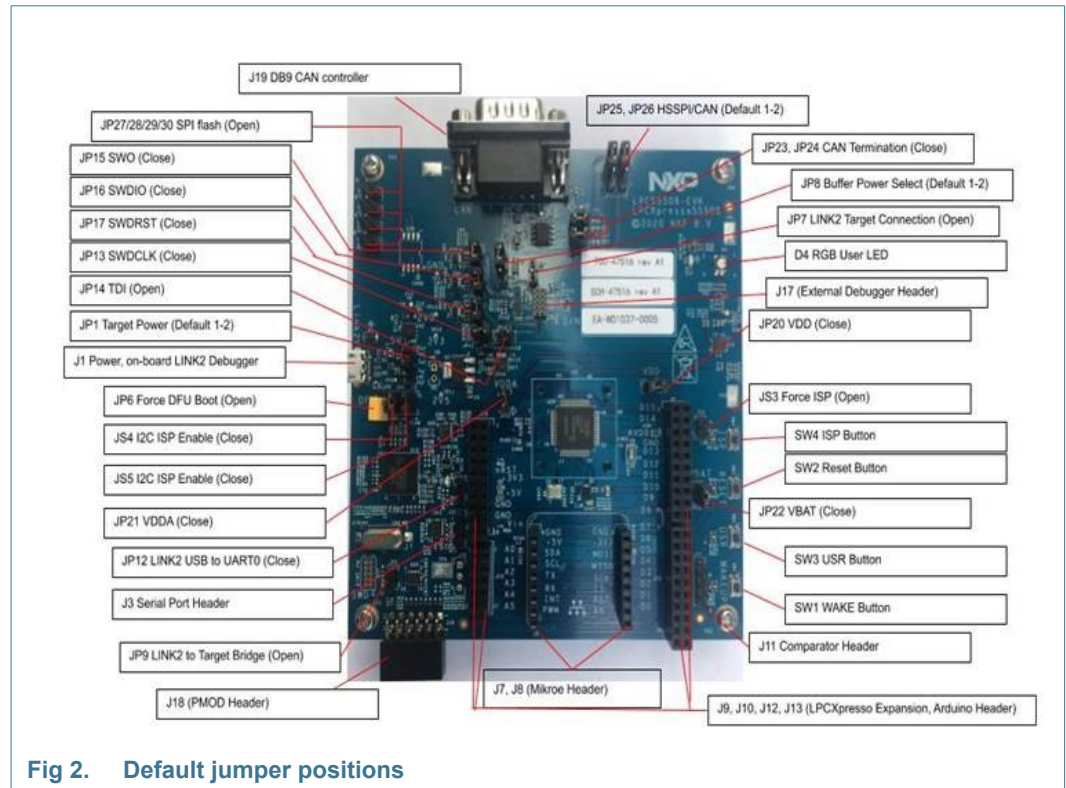


Fig 2. Default jumper positions

Table 1. Indicators, buttons, connectors and LEDs

Circuit reference	Description	Default	Reference
D5	Target power indicator LED	n/a	n/a
D8	Link2 boot LED	n/a	Section 4.1
D4	RGB User LED (Tri-color Red/Green/Blue)	n/a	Section 7.4
JP8	Buffer Power Selection For On-board Target place in position 1-2 (default) For Off-board Target place in position 2-3	1-2	Section 3.1 , Section 4.4
JP6	Link2 (LPC43xx) force DFU boot. Leave this jumper open (default) for Link2 to follow the normal boot sequence. The Link2 will boot from internal flash if image is found there. With the internal flash erased the Link2 normal boot sequence will fall through to DFU boot. Install this jumper to force the Link2 to DFU boot mode. Use this setting to reprogram the Link2 internal flash with a new image (using the LPCScript utility) or to use the MCUXpresso IDE with CMSIS-DAP protocol. Note that the Link2 flash is pre-programmed with a version of CMSIS-DAP firmware by default.	Open	Section 3. , Section 4.
JP7	Target processor selection for the on-board Debug Probe. Jumper open (default) the LPC55Sxx Target SWD interface enabled. Normal operating mode where the Target SWD is connected to either the on-board Link2 Debug Probe or an external Debug Probe. Jumper shunted, the LPC55Sxx Target SWD interface is disabled. Use this setting only when the on-board Link2 Debug Probe is used to debug an off-board target MCU.	Open	Section 4.
JP12	LINK2 USB to UART0. Installed if LINK2 USB to UART0 is used, and then, JP9 must be open. (default) Open if J3 external UART connection such as FTDI-USB is used, and then, JP9 must be to closed.	Installed	Section 6.1
JP9	When open (default), the "Bridge" UART and SPI connections from the Link2 probe are driven to the LPC55Sxx target UART0 and HSSPI. Jumper shunted when using the HSSPI interface including connector J7, J9, and J18, and/or FC0 UART at JP3. Note that this disables the Link2 SPI and UART (bridge) connections.	Open	Section 4.
JP1	Target VDD power selection. An external supply voltage to the LPC55Sxx can also be applied through pin 2 of this header.	1-2 (3.3V) 2-3 (2.0V)	Section 5.
J1	Link2 Debug Probe connector Micro USB type B connection for the on-board Link2 Debug Probe. Note: do not use this connection when using an external Debug Probe.	n/a	Section 5.
J17	10 pin external debug probe / off board target connector This standard Cortex-M debug connector is used either to (1) connect and off-board debug probe or (2) to connect an external debug target.	n/a	Section 3.1.3

Table 1. Indicators, buttons, connectors and LEDs

Circuit reference	Description	Default	Reference
J3	Serial port header 0.1" header providing convenient access to Flexcom 0 USART (the USART used for ISP boot). When using this port, ensure jumper JP9 is installed to disable the Link2 connection to this port and JP12 is open.	n/a	Section 6.
J13	Analog In/Out Comparator header.	n/a	Section 4.
JP20	Power to MCU VDD, once removed, it can be used to measure VDD current.	Installed	Measuring LPC55Sxx device supply current
JP21	Power to MCU VDDA, once removed, it can be used to measure VDDA current.	Installed	Measuring LPC55Sxx device supply current
JP22	Power to MCU VBAT, once removed, it can be used to measure VBAT current.	Installed	Measuring LPC55Sxx device supply current
JP13	SWDCLK, keep it installed if LINK2 Debugger (J1) is used. Open if external debugger is used and connected on J17.	Installed	Section 3.1.3
JP14	TDI, keep it open, used for JTAG boundary scan if applicable, it doesn't apply to any SWD debuggers.	Open	Section 3.1.3
JP15	SWO, keep it installed if LINK2 Debugger (J1) is used. Open if external debugger is used and connected on J17.	Installed	Section 3.1.3
JP16	SWDIO, keep it installed if LINK2 Debugger (J1) is used. Open if external debugger is used and connected on J17.	Installed	Section 3.1.3
JP17	SWDRST, keep it installed if LINK2 Debugger (J1) is used. Open if external debugger is used and connected on J17.	Installed	Section 3.1.3
JP27,JP28,J29,JP30	Jumpers on SPI recovery mode.	Open	
JS3	Forced ISP mode. To force the MCU into ISP mode, close the jumper, and reset the board. Don't forget to keep it open if you don't want MCU in the ISP mode.	Open	
JS4. JS5	Jumpers for the I2C bridge between LINK2 and target, must be installed if I2C ISP is needed.	Open	
J9,J10,J12,J13	LPCXpresso expansion connectors, including Arduino R3 compatible site. Provides connectivity to SPI (high-speed SPI), USART (Flexcom 1), I2C (Flexcom 3 and Flexcom 1), I2S (Flexcom 7), ADC0, GPIO and PLU pins.	n/a	Section 8.
J18	PMod expansion connector / Host interface connector This connector provides access to the HSSPI and I2C (Flexcom 1) ports that support LPC55Sxx ISP mode, along with 2 GPIO lines. When using the HSSPI port at this connector ensure jumper JP9 is installed to disable the connection to the Link2 debug probe and JP12 is open.	n/a	Expansion connectors
J19	CAN-FD controller DB9 Male connector to CAN-FD network.	n/a	Section 7.1

Table 1. Indicators, buttons, connectors and LEDs

Circuit reference	Description	Default	Reference
J7,J8	Mikroe Click site Provides connectivity to standard Mikroe Click connectors. Shares SPI, ADC, I2C and USART connections with the J9, J10, J12, J13 expansion connectors.	n/a	Section 8.
SW4	ISP/User button When pressed, this button connect sport pin P0_5 to ground. Hold this button down while pressing and releasing Reset (SW2) to force the LPC55Sxx into ISP mode. Port P0_5 may also be reconfigured as a GPIO in user application code to enable this button to be used for other, user-defined purposes.	n/a	Section 7.5.1
SW1	Wake/User button This button, when pressed, pulls P0_28 to ground. A 330K ohm pull up to VDD is connected to P0_28.	n/a	Section 7.5.2
SW3	User button This button, when pressed, pulls P1_9 to ground. A 100K ohm pull up to VDD is connected to P1_9.	n/a	Section 7.5.2
SW2	Reset button When pressed, reset is applied to the LPC55Sxx, expansion connector (Arduino reset) J10, the Mikroe Click site reset, and U18 (debug connector J17 reset when debugging an off-board target).	n/a	Section 7.5.3

3. Getting started

This section describes how to first power up the board and then how to start a first debug session using the MCUXpresso SDK. The board is pre-programmed with a simple program indicating that the target MCU is running. Connect a micro USB cable from connector J1 to a host computer or power supply to power-up the board and run this program.

The following debug probes can be used with those development and the board (check compatibility between debug probe and IDE used, including support for Arm Cortex M33 cores):

- On-board debug probe (LPC4322 “Link2”) from connector J1
- LPC-Link2 (OM13054) debug probe from NXP or Embedded Artists
- P&E Micro probes
- Keil ULINK2 probes
- IAR I-Jet probes

Other debug probes may also be supported by IAR and Keil tools and by other IDEs/debug tools; refer the websites of these companies for further information.

3.1 Starting a debug session using the on-board (Link2) Debug Probe

By default, the Board is configured to use the on-board Debug Probe (Link2) to debug the on-board target (LPC55Sxx), using the CMSIS-DAP debug protocol pre-programmed into the Link2 Flash memory. The MCUXpresso IDE or other development tools that support

the CMSIS-DAP protocol can be used in the default configuration. Check with your toolchain vendor for availability of specific device support packs for the LPC55Sxx series devices.

Note that when using the MCUXpresso IDE, the on-board Link2 can also be booted in DFU mode by installing a jumper on JP6; if this is done then the IDE will download CMSIS-DAP to the probe as needed. Using DFU boot mode will ensure that the most up-to-date / compatible firmware image is used with the MCUXpresso IDE.

NOTE: if the Debug Probe is set up to boot in DFU mode, the USB bridge functions (virtual COM port) and Debug Probe features will not be available if the board is not first initialized by the MCUXpresso IDE.

3.1.1 Installation steps for use with MCUXpresso IDE

Download and install the MCUXpresso IDE.

Configure and download an SDK package (with the MCUXpresso IDE tool chain option selected) from the MCUXpresso SDK Builder utility (<http://mcuxpresso.nxp.com>).

Ensure jumper JP8 is fitted in position 1 - 2 (local target powered), and JP7 is not installed (target SWD enabled). These are the default positions set during board manufacture.

Connect the board to the USB port of your host computer, connecting a micro USB cable to connector J1. The board will boot and run the pre-installed demo.

The board is now ready to be used with the MCUXpresso SDK examples for the LPCXpresso55S06.

When the board is used for the first time, it is recommended to force the LPC55Sxx target into a known state by performing an ISP boot before attempting to run your first example code. This can be achieved by pressing and holding down the ISP button while pressing and releasing the reset button or installing the LPC55Sxx ISP jumper(JS3) and then reset the board.

3.1.2 Installation steps to use Keil and IAR tools with on-board debug probe

Download and install LPCScript (<https://www.nxp.com/lpcscript>). This will install required drivers for the board. Note that the Link2 (LPC4322 device) is pre-programmed with CMSIS-DAP firmware. If you have previously installed LPCScript please ensure version 2.1 or later is installed.

Ensure jumper JP8 is fitted in position 1-2 (local target powered), and J7 is not installed (target SWD enabled). These are the default positions set during board manufacture.

The Link2 Debug Probe on the board will have been programmed with CMSIS-DSP firmware during manufacture, but can also be updated with J-link OB for LPC-Link2. To start the board with this firmware running, ensure JP6 is not installed as power is connected, so the Link2 Debug Probe boots from internal flash. If you wish to update/change the Link2 firmware please follow the steps described in [Section 4.2](#).

Connect the Board to the USB port of your host computer, connecting a micro USB cable to connector J1 ("Debug-Link"). The board will boot and run the pre-installed demo. Allow about 30 seconds for the Link2 devices to enumerate for the first time. It is not necessary to check the Hardware Manager on your host computer, however if this is done there will

be five devices (if using CMSIS-DAP protocol); four under Human Interface Devices (CMSIS-DAP, LPC-SIO, two HID Compliant Devices, and a USB Input Device) and one under Ports (LPC-LinkII Ucom.)

Your board is now ready to use with your 3rd party tool. Follow the instructions for those tools for using a CMSIS-DAP probe. MCUXpresso IDE can also be used with the board after setting up the board this way.

When the board is used for the first time, it is recommended to force the target into known state by performing an ISP boot before attempting to run your first example code. This can be achieved by pressing and holding down the ISP button while pressing and releasing the reset button.

3.1.3 Starting a debug session using an external Debug Probe

Code running on the LPC55Sxx target can be debugged using an external Debug Probe that conforms to the standard ARM Cortex-M debug connector. To use an external Debug Probe connect the probe to the SWD connector (J17), uninstall JTAG/SWD related jumpers, JP13, JP14, JP15, JP16, and JP17, so that the Link2 Debug Probe signals do not contend with the SWD interface signals from the external Debug Probe, and connect power via the micro USB connector J1.

Also note that the VCOM function provided by the on-board Debug Probe is not available when using an external debug probe. Then, J3 serial port header can be served as an alternative to provide convenient access to Flexcomm 0 USART. When using this port, ensure jumper JP9 is installed and JP12 is open.

4. On-board (Link2) Debug probe

This section describes the features provided by the on-board Link2 Debug Probe, including how to use this to debug an external target.

The Link2 Debug Probe is implemented using an LPC432x MCU (circuit reference U16), which provides a high speed USB port interface to the host computer that runs the development tools. This device is not intended for developer use, and should only be used with approved firmware images from NXP. The Link2 on-chip flash memory is factory programmed with a firmware image that supports CMSIS-DAP debug protocol, but also includes other USB end point functions:

- Virtual COM (VCOM) port: a serial device that can be used with any host computer application design for serial port communication (e.g. Teraterm, puTTY, etc.) Set the terminal program for baud rate to 115200, no parity, 8 bit data, 1 stop bit, no flow control.
- SWO trace end point: this virtual device is used by MCUXpresso to retrieve SWO trace data. See the MCUXpresso IDE documentation for more information.
- I2C/SPI bridges: bridge device from I2C and SPI ports of the LPC target.

All of these devices are independent of each other and of the CMSIS-DAP debug device that is enumerated when the board is connected to a host computer; for example, the VCOM port can be used if the board is running an application when no debugger is running.

In order to correctly install and use the Link2 device on the LPCXpresso55S06 (required for any debugging purpose) for Windows host computers, install the drivers first. These drivers will automatically be installed when MCUXpresso IDE has already been installed. If these IDEs are not being used, it is recommended LPCScript be installed as this also includes the required drivers. All these tools and utilities are available for free download at <https://www.nxp.com/lpcscript>.

The CMSIS-DAP firmware image installed at the factory (and by LPCScript) will uniquely identify itself to the host computer so that more than one board can be connected to that host computer at any time. Some toolchains cannot discern between multiple debug devices; refer to your toolchain documentation for more information (note the MCUXpresso IDE does support multiple LPCXpresso board targets.)

Note: The Link2 only boots when the board is power cycled; the reset button on the board does not reset the Link2.

When using MCUXpresso IDE, the Link2 can be automatically booted with the latest / most appropriate firmware for that IDE version by installing JP6 (DFU jumper) before powering up the board. This is the recommended approach for the MCUXpresso IDE. Note that if JP6 is installed when powering the board then the VCOM port (and other devices mentioned above) device will not appear until the MCUXpresso IDE boots the Debug Probe. The Debug Probe is booted once a debug session is started (that is, the IDE attempts to download code to the target).

4.1 Link2 boot LED

LED D8 is the Link2 MCU BOOT0_LED indicator. This LED reflects the state of Link2 MCU pin P1_1. When the boot process fails, D8 will toggle at a 1 Hz rate for 60 seconds. After 60 seconds, the Link2 MCU is reset.

4.2 Programming the Link2 firmware

As mentioned earlier in this section, it is not normally necessary to program the Link2 firmware. However, this can easily be accomplished using the supporting utility, LPCScript.

To program the Link2 Flash the Link2 device (LPC432x) must be in DFU mode. If the Link2 already has a valid image in the flash, it will need to be forced into DFU mode by placing a jumper shunt on JP6 (DFU), and power cycling (disconnecting then reconnecting power via J1.) Link2 MCU programming is performed using the LPCScript utility (see <http://www.nxp.com/lpcscript>). Instructions for using the tool are located at the same web page

After installing LPCScript, use either the "Program LPC-Link2 with CMSIS-DAP" or "Program LPC-Link2 with JLink" utilities provided in that installation to update the firmware, following on-screen instructions.

4.3 VCOM port

The identifier of the VCOM port will vary between boards and hosts as each board will enumerate with a unique identifier. On Windows, to determine the COM port, open the Windows operating system Device Manager. This can be achieved by going to the Windows operating system Start menu and typing "Device Manager" in the search bar. In the device manager look under "Ports"; the LPC-LinkII UCom Port device and its name should be visible. NOTE: this VCOM port will only appear if (a) the Debug Probe has been programmed with the CMSIS-DAP firmware and the Debug Probe DFU link (JP6) is removed at power up, or (b) if the Debug Probe has been configured for DFU boot (JP6 installed) at power up and MCUXpresso IDE has booted it (by starting a debug session).

If the J-Link firmware image has been programmed into the Debug Probe and DFU boot mode is not being used, then a VCOM device called J-Link CDC UART port will appear instead of the LPC-LinkII UCom port.

4.4 Configuring the LPCXpresso55S16 to debug an off-board target

The LPCXpresso55S06 board's Link2 Debug Probe may be used to debug an off-board target MCU. The on-board Link2 Debug Probe is capable of debugging target MCU's with a VDDIO range of 1.6V to 3.6V. To keep the on-board target LPC55Sxx MCU from interfering with the SWD interface, JP7 must be closed. The Link2 Debug Probe SWD should be connected by a ribbon cable between the J17 connector to the off-board target MCU SWD interface. Power the LPCXpresso55S06 board from the Link USB connector J1, and fit jumper JP8 across pins 2 - 3 (External Target).

5. Board Power

The LPCXpresso55S06 board requires +5V input to power the on-board voltage low dropout linear regulators, of which there are 3, circuit reference U1, U3 and U4. .

The Link2 Debug probe has a 2.5V regulator (U1) which draws power from USB connector J1 ("Debug Link") only.

There are two other regulators, providing the option of 2.0V (U4) or 3.3V (U3) to the other devices on the board; these regulators can be powered by the USB Debug Link connector (J1).

The +5V sources above are connected via protection diodes to prevent reverse powering of any of them by another source. The +5V output of these combined sources is also connected to the Arduino and Mikroe expansion sites.

Note that the FXOS8700 Accelerometer requires the board to be configured for 3.3V operation.

CAN-FD transceiver, circuit reference U9, TJA1044, is populated to support CAN-FD communication. CAN-FD transceiver requires +5V supply.

For further details, refer to the board schematics.

5.1 Measuring LPC55Sxx device supply current

Current supply to the LPC55Sxx Core can be measured via JP20 for VDD, JP21 for VDDA, and JP22 for VBAT.

5.2 2.0V operation

Please note the minimum voltage supply for the LPC55S0x/ devices is 1.8 V, but, the variations in the 1.8V regulator tolerance and/or loading on the regulator may cause the brown-out detect (BOD) to trigger, as the result, we have changed low dropout linear regulator from 1.8V on LPC55S16 EVK board to 2.0V on LPC55S06 EVK board.

6. Board serial connections

This section describes connections between LPC55Sxx on-board serial peripherals and connectors for use with off-board devices.

6.1 USART header

Header JP3 is provided as a convenient way to use an LPC55Sxx USART with a serial to USB cable. Flexcom 0 ports (P0_29 and P0_30) are used for this feature, since these ports are assigned for USART ISP mode. Note that these ports are shared with the Link2 debug probe (LPC4322) and PMod connector; when using this header ensure that there is no conflicting device connected to the PMod connector and that jumper JP9 is installed to disable the connection to the Link2 and JP12 jumper should be open.

7. On-board peripherals

This section describes how the on-board peripheral devices of the Board are connected to the LPC55Sxx and relevant configuration options. For full details of these devices please refer to the individual device datasheets. For circuit further details, refer to the board schematics.

7.1 CAN-FD Connector

The LPC55S0x MCU includes a CAN-FD controller. On LPCXpresso55S06 board, P1.2 (IOCON Function 1) and P1.3 (IOCON Function 1) are configured as CAN_TXD and CAN_RXD respectively. A CAN-FD transceiver, U9, TJA1044, is populated on the board with level shifters between LPC55S06 target and CAN-FD transceiver to support both 2.0V and 3.3V. LPCXpresso55S06 board incorporates a DB9 connector (J19) to support CAN-FD communication.

CAN_TXD and CAN_RXD pins are shared with HSSPI_CLK and HSSPI_MISO pins. JP25 and JP26 are used to select the peripherals. Default positions are for CAN-FD controller.

CAN-FD software driver and CAN Open examples are provided as part of the LPCXpresso55S06 SDK.

7.2 Accelerometer

The board includes an NXP FXOS8700 accelerometer, interfaced to Flexcom 0 (ports P0_24 and P0_25) with its interrupt output connected to P1_23. The accelerometer has an I2C address of 0b0001111X.

I2C software drivers are provided as part of the LPCXpresso55S06 SDK, and the example code is provided to illustrate how to read values from the accelerometer.

7.3 Crystals

For applications requiring accurate clock, two external crystal oscillators are provided on the board, 16MHz crystal on XTAL32M pins and 32.768KHz on XTAL32K pins.

External capacitors are not required on the crystal pins as LPC55S06 has embedded capacitor banks for both XTAL32M and XTAL32K. See the "LPC55S0x/LPC550x Cap Bank API" chapter of the LPC55S0x/LPC550x User Manual for further information.

7.4 RGB User LED

An User controlled RGB LED is provided on the Board. The LEDs in this device are controlled by LPC55Sxx ports P0_21 (Red), P0_22 (Blue), P0_18 (Green) with the LEDs being illuminated when the respective GPIO pin is set to high.

7.5 Buttons

Four buttons are provided on the LPCXpresso55S06 board, as described in this section.

7.5.1 ISP (SW4)

P0_5 is pulled up to VDD via a 100kohm resistor; pressing this button will pull P0_5 low. This port is read by the LPC55Sxx boot code to determine if the MCU should enter In System Programming (ISP) mode. The main purpose of this button is to force the LPC55Sxx into ISP mode at boot time; to do this hold down this button while pressing and releasing the Reset button, or while connecting power to the board. While the main purpose of ISP mode is to program the flash of the LPC55Sxx, forcing the MCU into this mode places it into a known state in which development tools can gain debug control. If an

application in flash is crashing or disabling the SWD port unintentionally, then ISP mode can be useful to recover control of the board. Refer to the LPC55S0x User Manual for more information on ISP mode.

The ISP button can also be used in user application code. Care should be taken if P0_5 is configured as an output driving high, since pressing this button will short it to ground.

Note that jumper JS3 may also be used as a convenient way to always assert ISP when the LPC55Sxx is reset or powered up.

7.5.2 User (SW3) and Wakeup (SW1) buttons

The User (SW3) and Wakeup (SW1) buttons are intended for user application use. These buttons pull ports P1_9 (User) with 100kohm pull-up resistor and P0_28 (Wakeup) with 330kohm pull-up resistor low when the button is pressed.

7.5.3 Reset (SW2)

Pressing this button will assert reset to the LPC55Sxx and to the Mikroe and Arduino connector sites. Note that the Link2 Debug Probe (LPC4322) is not reset when this button is pressed.

8. Expansion connectors

The LPCXpresso55S0x includes 3 expansion connector sets, incorporating support for Arduino UNO R3, Mikroe Click and PMod standards. The Arduino UNO connector footprint is surrounded by additional connectors that are compatible with other LPCXpresso V3 boards. For further details, refer to the board schematics.

8.1 Mikroe Click Site

The connectors J7 and J8 provide a Mikroe Click module site for the wide range of add-on modules available from MikroElektronika. Note that this site shares the same SPI, I2C and UART connections as the Arduino/LPCXpresso V3 expansion connectors.

8.2 Host / PMod Connector

Connector J18 is a connector which provide convenient access for a remote host to the SPI and I2C ports of the LPC55Sxx that support ISP mode. When setting up the Board to be used with a host, jumper JP9 must be installed to prevent conflict with the Link2 (which can also emulate an SPI or I2C host).

8.3 Arduino and LPCXpresso V3 expansion connectors

The connectors J9, J10, J12, J13, provide Arduino UNO R3 compatibility and access to several other signals for use in prototyping. The overall footprint is compatible with the LPCXpresso V3 expansion connector footprint used on other LPCXpresso boards of this type. Note that some ports used on these connectors are shared with other devices/connectors on the board, including the Mikroe Click site, CAN-FD, and RGB LED. Refer to the schematic for further information.

When using an Arduino shield with the Board, align the Arduino shield (SCL) with pin 1 of connector J9 on the LPCXpresso55S06 board.

Table 2. Arduino and LPCXpresso V3 expansion connections

Expansion connector	Port
J9	The odd number pins are compatible with Arduino Uno rev3 Digital 15:8, AREF, SDA & SCL connector. The even numbered pins are used for external access and expansion of LPC55Sxx signals not used by the Arduino Uno rev3 compatible interface.
J12	The odd numbered pins 1 – 15 are compatible with Arduino Uno rev3 Digital 7:0 connector. The even numbered pins, and odd numbered pins 17 and 19, are used for external access and expansion of LPC55Sxx signals not used by the Arduino Uno rev3 compatible interface.
J10	The even numbered pins 6 – 20 are compatible with the Arduino Uno rev3 Power connector standard.
P13	The even numbered pins 2 – 12 are compatible with Arduino Uno rev3 Analog connector. The odd numbered pins are used for external access and expansion of LPC55Sxx signals not used by the Arduino Uno rev3 compatible interface.

9. Miscellaneous Board Features

This section describes miscellaneous board features that we not covered elsewhere in this manual.

9.1 LPC55Sxx ADC references and inputs

The LPC55Sxx ADC positive reference is connected to VREFP and the negative reference to ground internally. VREFP is either 3.3V or 2.0V depending on the position of JP1.

An external differential ADC input signal can be applied at J13 or at the JP4 expansion connector. This connection is routed to PIO0_16 and PIO0_23.

10. Errata

There is an issue with the layout where over power consumption (5-30 mA over expected current) can occur due to poor grounding using vias.

One particular area as shown below is the splitted ground between VSS_DCDC pin 30 and input/output capacitors.

To prevent the over power consumption, please solder a thick wire between Pin 30 and the nearby GND as shown below (red wire).

This will be fixed in the next board revision (A1).

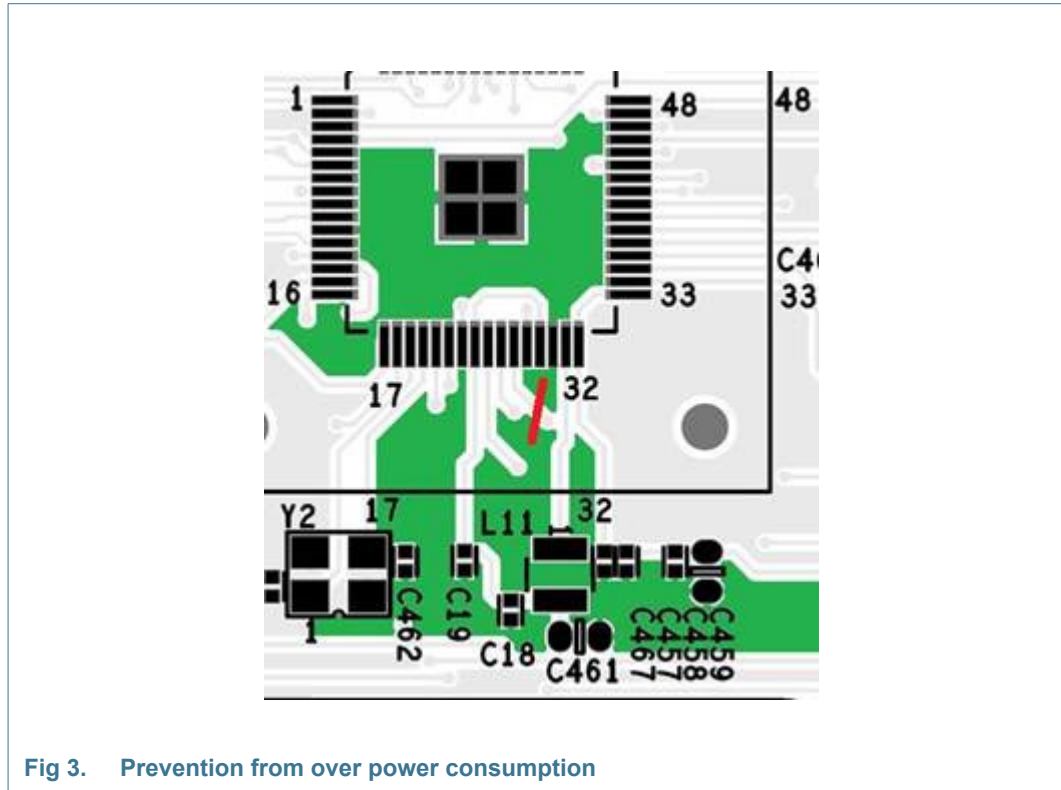


Fig 3. Prevention from over power consumption

11. Board operating conditions

These boards have been designed for use in laboratory conditions (0 to 50 degrees Celsius) and should not be used for extended temperature testing. Refer to the data sheet of the LPC55xx MCU being used for full operating conditions for that device.

13. Contents

1	Introduction	3
2	Board layout and Settings	4
3	Getting started	7
3.1	Starting a debug session using the on-board (Link2) Debug Probe.	7
3.1.1	Installation steps for use with MCUXpresso IDE	8
3.1.2	Installation steps to use Keil and IAR tools with on-board debug probe	8
3.1.3	Starting a debug session using an external Debug Probe	9
4	On-board (Link2) Debug probe	10
4.1	Link2 boot LED	11
4.2	Programming the Link2 firmware	11
4.3	VCOM port	11
4.4	Configuring the LPCXpresso55S16 to debug an off-board target	11
5	Board Power	11
5.1	Measuring LPC55Sxx device supply current .	12
5.2	2.0V operation	12
6	Board serial connections	12
6.1	USART header	12
7	On-board peripherals	12
7.1 CAN-FD Connector	13
7.2	Accelerometer	13
7.3	Crystals	13
7.4	RGB User LED	13
7.5	Buttons	13
7.5.1	ISP (SW4)	13
7.5.2	User (SW3) and Wakeup (SW1) buttons	14
7.5.3	Reset (SW2)	14
8	Expansion connectors	14
8.1	Mikroe Click Site	14
8.2	Host / PMod Connector	14
8.3	Arduino and LPCXpresso V3 expansion connectors	14
9	Miscellaneous Board Features	15
9.1	LPC55Sxx ADC references and inputs	15
10	Errata	15
11	Board operating conditions	15
12	Contents	17

Please be aware that important notices concerning this document and the product(s) described herein, have been included in section 'Legal information'.

© NXP B.V. 2021

All rights reserved.

For more information, please visit: <http://www.nxp.com>

For sales office addresses, please send an email to: salesaddresses@nxp.com

Date of release: 19 February 2021

Document identifier: UM11505

How To Reach Us

Home Page:

nxp.com

Web Support:

nxp.com/support

Limited warranty and liability — Information in this document is provided solely to enable system and software implementers to use NXP products. There are no express or implied copyright licenses granted hereunder to design or fabricate any integrated circuits based on the information in this document. NXP reserves the right to make changes without further notice to any products herein.

NXP makes no warranty, representation, or guarantee regarding the suitability of its products for any particular purpose, nor does NXP assume any liability arising out of the application or use of any product or circuit, and specifically disclaims any and all liability, including without limitation consequential or incidental damages. "Typical" parameters that may be provided in NXP data sheets and/or specifications can and do vary in different applications, and actual performance may vary over time. All operating parameters, including "typicals," must be validated for each customer application by customer's technical experts. NXP does not convey any license under its patent rights nor the rights of others. NXP sells products pursuant to standard terms and conditions of sale, which can be found at the following address: nxp.com/SalesTermsandConditions.

Right to make changes - NXP Semiconductors reserves the right to make changes to information published in this document, including without limitation specifications and product descriptions, at any time and without notice. This document supersedes and replaces all information supplied prior to the publication hereof.

Security — Customer understands that all NXP products may be subject to unidentified or documented vulnerabilities. Customer is responsible for the design and operation of its applications and products throughout their lifecycles to reduce the effect of these vulnerabilities on customer's applications and products. Customer's responsibility also extends to other open and/or proprietary technologies supported by NXP products for use in customer's applications. NXP accepts no liability for any vulnerability. Customer should regularly check security updates from NXP and follow up appropriately. Customer shall select products with security features that best meet rules, regulations, and standards of the intended application and make the ultimate design decisions regarding its products and is solely responsible for compliance with all legal, regulatory, and security related requirements concerning its products, regardless of any information or support that may be provided by NXP. NXP has a Product Security Incident Response Team (PSIRT) (reachable at PSIRT@nxp.com) that manages the investigation, reporting, and solution release to security vulnerabilities of NXP products.

NXP, the NXP logo, NXP SECURE CONNECTIONS FOR A SMARTER WORLD, COOLFLUX, EMBRACE, GREENCHIP, HITAG, ICODE, JCOP, LIFE, VIBES, MIFARE, MIFARE CLASSIC, MIFARE DESFire, MIFARE PLUS, MIFARE FLEX, MANTIS, MIFARE ULTRALIGHT, MIFARE4MOBILE, MIGLO, NTAG, ROADLINK, SMARTLX, SMARTMX, STARPLUG, TOPFET, TRENCHMOS, UCODE, Freescale, the Freescale logo, Altivec, CodeWarrior, ColdFire, ColdFire+, the Energy Efficient Solutions logo, Kinetis, Layerscape, MagniV, mobileGT, PEG, PowerQUICC, Processor Expert, QorIQ, QorIQ Qonverge, SafeAssure, the SafeAssure logo, StarCore, Symphony, VortiQa, Vybrid, Airfast, BeeKit, BeeStack, CoreNet, Flexis, MXC, Platform in a Package, QUICC Engine, Tower, TurboLink, EdgeScale, EdgeLock, eIQ, and Immersive3D are trademarks of NXP B.V. All other product or service names are the property of their respective owners. AMBA, Arm, Arm7, Arm7TDMI, Arm9, Arm11, Artisan, big.LITTLE, Cordio, CoreLink, CoreSight, Cortex, DesignStart, DynamiQ, Jazelle, Keil, Mali, Mbed, Mbed Enabled, NEON, POP, RealView, SecurCore, Socrates, Thumb, TrustZone, ULINK, ULINK2, ULINK-ME, ULINK-PLUS, ULINKpro, µVision, Versatile are trademarks or registered trademarks of Arm Limited (or its subsidiaries) in the US and/or elsewhere. The related technology may be protected by any or all of patents, copyrights, designs and trade secrets. All rights reserved. Oracle and Java are registered trademarks of Oracle and/or its affiliates. The Power Architecture and Power.org word marks and the Power and Power.org logos and related marks are trademarks

Table continues on the next page...

and service marks licensed by Power.org. M, M Mobileye and other Mobileye trademarks or logos appearing herein are trademarks of Mobileye Vision Technologies Ltd. in the United States, the EU and/or other jurisdictions.

© NXP B.V. 2020-2021.

All rights reserved.

For more information, please visit: <http://www.nxp.com>

For sales office addresses, please send an email to: salesaddresses@nxp.com

Date of release: 19 Feb 2021

Document identifier: UM11505

arm

X-ON Electronics

Largest Supplier of Electrical and Electronic Components

Click to view similar products for [Development Boards & Kits - ARM category](#):

Click to view products by [NXP manufacturer](#):

Other Similar products are found below :

[SAFETI-HSK-RM48](#) [PICOHOBBITFL](#) [CC-ACC-MMK-2443](#) [TWR-MC-FRDMKE02Z](#) [EVALSPEAR320CPU](#) [EVB-SCMIMX6SX](#)
[MAX32600-KIT#](#) [TMDX570LS04HDK](#) [TXSD-SV70](#) [OM13080UL](#) [EVAL-ADUC7120QSPZ](#) [OM13082UL](#) [TXSD-SV71](#)
[YGRPEACHNORMAL](#) [OM13076UL](#) [PICODWARFFL](#) [YR8A77450HA02BG](#) [3580](#) [32F3348DISCOVERY](#) [ATTINY1607](#) [CURIOSITY](#)
[NANO](#) [PIC16F15376](#) [CURIOSITY NANO BOARD](#) [PIC18F47Q10](#) [CURIOSITY NANO](#) [VISIONSTK-6ULL V.2.0](#) [80-001428](#) [DEV-17717](#)
[EAK00360](#) [YR0K77210B000BE](#) [RTK7EKA2L1S00001BE](#) [MAX32651-EVKIT#](#) [SLN-VIZN-IOT](#) [LV18F V6 DEVELOPMENT SYSTEM](#)
[READY FOR AVR BOARD](#) [READY FOR PIC BOARD](#) [READY FOR PIC \(DIP28\)](#) [EVB-VF522R3](#) [AVRPLC16 V6 PLC SYSTEM](#)
[MIKROLAB FOR AVR XL](#) [MIKROLAB FOR PIC L](#) [MINI-AT BOARD - 5V](#) [MINI-M4 FOR STELLARIS](#) [MOD-09.Z](#) [BUGGY +](#)
[CLICKER 2 FOR PIC32MX + BLUETOOT](#) [1410](#) [LETS MAKE PROJECT PROGRAM. RELAY PIC](#) [LETS MAKE - VOICE](#)
[CONTROLLED LIGHTS](#) [LPC-H2294](#) [DSPIC-READY2 BOARD](#) [DSPIC-READY3 BOARD](#) [MIKROBOARD FOR ARM 64-PIN](#)
[MIKROLAB FOR AVR](#)