

VR5500

High voltage PMIC with multiple SMPS and LDO

Rev. 6 — 29 January 2020

Product data sheet

1 General description

The VR5500 is an automotive high-voltage multi-output power supply integrated circuit, with focus on Radio, V2X, and Infotainment applications. It includes multiple switch mode and linear voltage regulators. It offers external frequency synchronization input and output, for optimized system EMC performance and it is qualified in compliance with AEC-Q100 rev H (Grade1, MSL3).

Several device versions are available, offering choice in number of output rails, output voltage setting, operating frequency, and power up sequencing, to address multiple applications.

2 Features and benefits

- 60 V DC maximum input voltage for 12 V and 24 V applications
- VPRE synchronous buck controller with external MOSFETs. Configurable output voltage, switching frequency, and current capability up to 10 A peak.
- Low voltage integrated synchronous BUCK1 converter, dedicated to MCU core supply with SVS capability. Configurable output voltage and current capability up to 3.6 A peak.
- Low voltage integrated synchronous BUCK2 converter. Configurable output voltage and current capability up to 3.6 A peak. Multi-phase capability with BUCK1 to extend the current capability up to 7.2 A peak on a single rail. Static voltage scaling capability.
- Low voltage integrated synchronous BUCK3 converter. Configurable output voltage and current capability up to 3.6 A peak.
- BOOST converter with integrated low-side switch. Configurable output voltage and max input current up to 1.5 A peak.
- EMC optimization techniques including SMPS frequency synchronization, spread spectrum, slew rate control, manual frequency tuning
- Two linear voltage regulators for MCU IOs and ADC supply, external physical layer. Configurable output voltage and current capability up to 400 mA DC.
- OFF mode with very low sleep current (10 μ A typ)
- Two input pins for wake-up detection and battery voltage sensing
- Device control via I2C interface with CRC
- Power synchronization pin to operate two VR5500 devices or VR5500 plus an external PMIC
- Three voltage monitoring circuits, dedicated interface for MCU monitoring, power good, reset, and interrupt outputs
- Configuration by OTP programming. Prototype enablement to support custom setting during project development in engineering mode.



3 Simplified application diagram

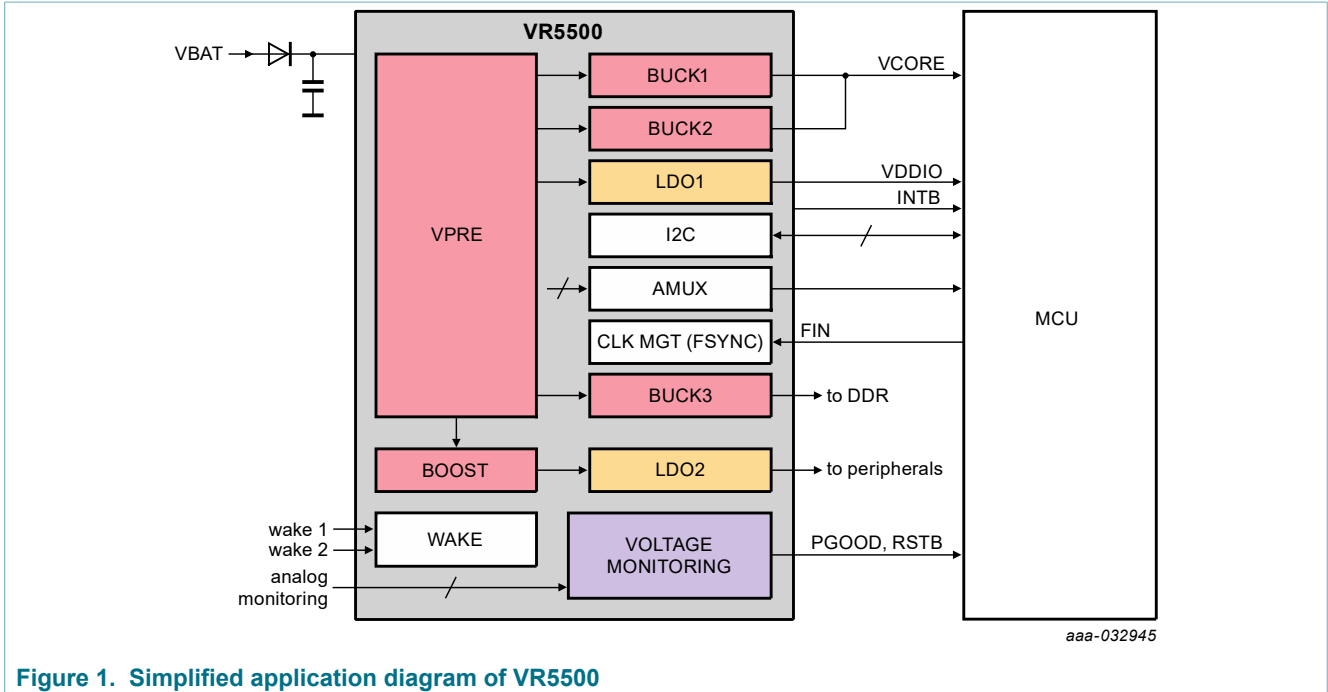


Figure 1. Simplified application diagram of VR5500

4 Ordering information

Table 1. Ordering information

Part number ^[1]	Package			OTP ID
	Name	Description	Version	
MC33VR5500V0ES ^[2]	HPQFN56	HPQFN56, plastic, thermally enhanced very thin quad flat package, no lead, wettable flanks	SOT684-23	—
MC33VR5500V1ES ^[3]				http://www.nxp.com/MC33VR5500V1ES-OTP-Report

[1] To order parts in tape and reel, add the R2 suffix to the part number.

[2] V0: Non-programmed part

[3] V1: Radio mercury reference design

V0 part is a non-programmed OTP configuration. Pre-programmed OTP configurations (other than BUCK regulators) are managed through suffix V1 to XZ.

5 Applications

- Radio
- V2x
- Infotainment

6 Block diagram

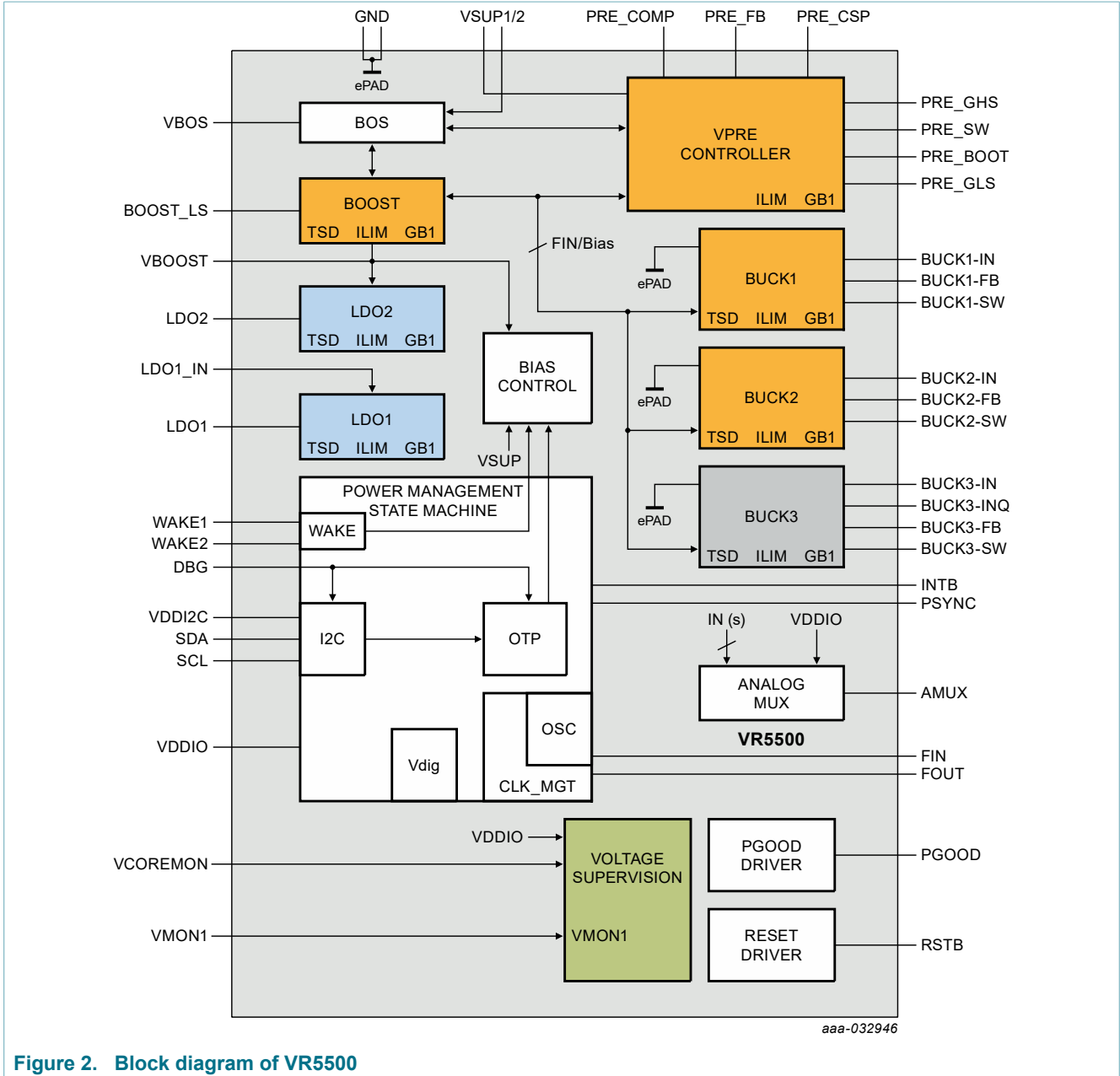


Figure 2. Block diagram of VR5500

7 Pinning information

7.1 Pinning

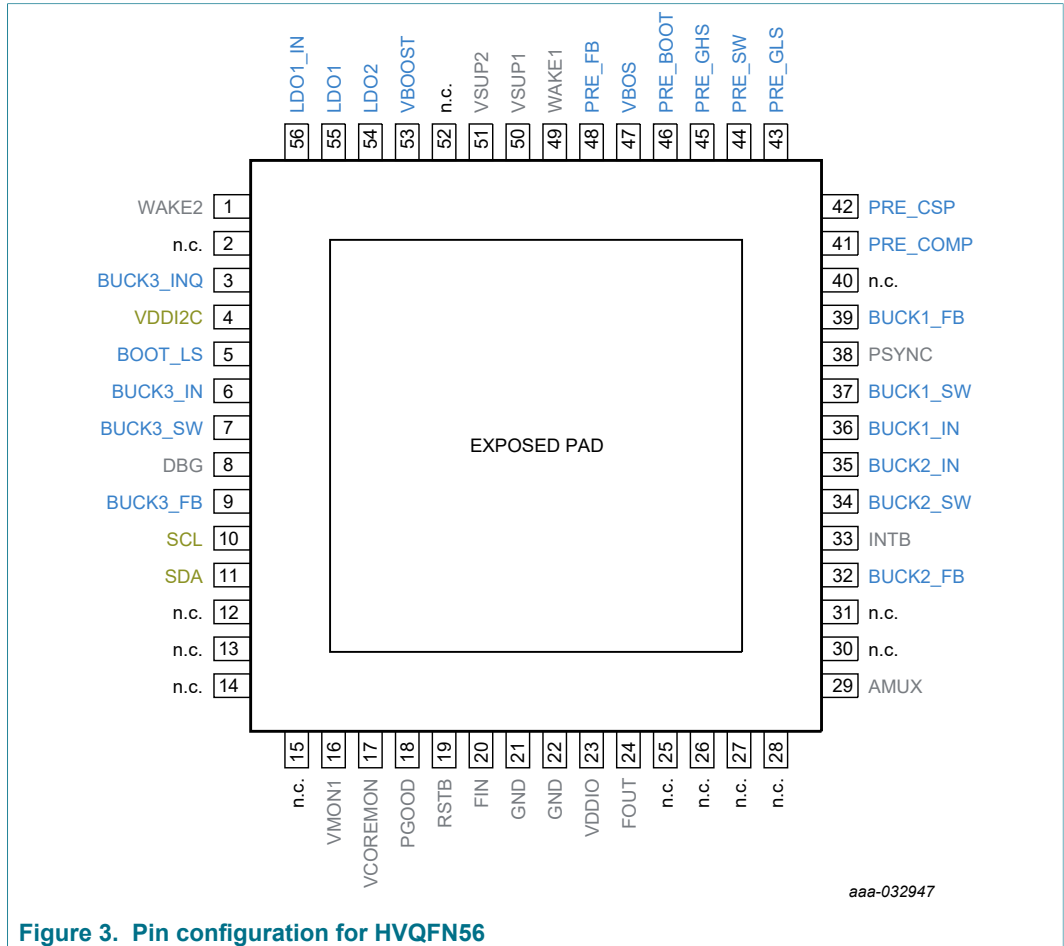


Figure 3. Pin configuration for HVQFN56

7.2 Pin description

See [Section 8](#) for connection of unused pins.

Table 2. Pin description

Symbol	Pin	Type	Description
WAKE2	1	A_IN / D_IN	Wake-up input 2 An external serial resistor is required if WAKE2 is a global pin
n.c.	2	n.c.	Not connected pin
BUCK3_INQ	3	A_IN	Low voltage Buck3 quiet input voltage
VDDI2C	4	A_IN	Input voltage for I2C buffers
BOOST_LS	5	A_IN	Boost low-side drain of internal MOSFET
BUCK3_IN	6	A_IN	Low voltage Buck3 input voltage
BUCK3_SW	7	A_OUT	Low voltage Buck3 switching node
DBG	8	A_IN	Debug mode entry
BUCK3_FB	9	A_IN	Low voltage Buck3 voltage feedback

Symbol	Pin	Type	Description
SCL	10	D_IN	I2C-bus Clock input
SDA	11	D_IN/OUT	I2C-bus Bidirectional data line
n.c.	12	n.c.	Not connected pin
n.c.	13	n.c.	Not connected pin
n.c.	14	n.c.	Not connected pin
n.c.	15	n.c.	Not connected pin
VMON1	16	A_IN	Voltage monitoring input 1
VCOREMON	17	A_IN	VCORE monitoring input: Must be connected to Buck1 output voltage
PGOOD	18	D_OUT	Power good output Active low Pull up to VDDIO mandatory
RSTB	19	D_OUT	Reset output Active low The main function is to reset the MCU. Reset input voltage is monitored to detect external reset and fault condition. Pull up to VDDIO mandatory
FIN	20	D_IN	Frequency synchronization input
GND	21	GND	Ground
GND	22	GND	Ground
VDDIO	23	A_IN	Input voltage FOUT and AMUX buffers Allow voltage compatibility with MCU I/Os
FOUT	24	D_OUT	Frequency synchronization output
n.c.	25	n.c.	Not connected pin
n.c.	26	n.c.	Not connected pin
n.c.	27	GND	External pull down to GND
n.c.	28	n.c.	Not connected pin
AMUX	29	A_OUT	Multiplexed output to connect to MCU ADC Selection of the analog parameter through I2C
n.c.	30	n.c.	Not connected pin
n.c.	31	n.c.	Not connected pin
BUCK2_FB	32	A_IN	Low voltage Buck2 voltage feedback
INTB	33	D_OUT	Interrupt output
BUCK2_SW	34	A_OUT	Low voltage Buck2 switching node
BUCK2_IN	35	A_IN	Low voltage Buck2 input voltage
BUCK1_IN	36	A_IN	Low voltage Buck1 input voltage
BUCK1_SW	37	A_OUT	Low voltage Buck1 switching node
PSYNC	38	D_IN/OUT	Power synchronization input/output
BUCK1_FB	39	A_IN	Low voltage Buck1 voltage feedback
n.c.	40	GND	External pull down to GND
PRE_COMP	41	A_IN	VPRE compensation network
PRE_CSP	42	A_IN	VPRE positive current sense input

Symbol	Pin	Type	Description
PRE_GLS	43	A_OUT	VPRE low-side gate driver for external MOSFET
PRE_SW	44	A_OUT	VPRE switching node
PRE_GHS	45	A_OUT	VPRE high-side gate driver for external MOSFET
PRE_BOOT	46	A_IN/OUT	VPRE bootstrap capacitor
VBOS	47	A_OUT	Best of supply output voltage
PRE_FB	48	A_IN	VPRE voltage feedback and negative current sense input
WAKE1	49	A_IN / D_IN	Wake up input 1 An external serial resistor is required if WAKE1 is a global pin
VSUP1	50	A_IN	Power supply 1 of the device An external reverse battery protection diode in series is mandatory
VSUP2	51	A_IN	Power supply 2 of the device An external reverse battery protection diode in series is mandatory
n.c.	52	n.c.	Not connected pin
VBOOST	53	A_IN	VBOOST voltage feedback
LDO2	54	A_OUT	Linear regulator 2 output voltage
LDO1	55	A_OUT	Linear regulator 1 output voltage
LDO1_IN	56	A_IN	Linear regulator 1 input voltage
EP	57	GND	Exposed pad (BUCK1, BUCK2 and BUCK3 low-side GNDs are connected to the expose pad) Must be connected to GND

8 Connection of unused pins

Table 3. Connection of unused pins

Pin	Name	Type	Connection if not used
1	WAKE2	A_IN / D_IN	External pull down to GND
2	n.c.	n.c.	Open
3	BUCK3_INQ	A_IN	Open
4	VDDI2C	A_IN	Open
5	BOOST_LS	A_IN	See Section 21.5 "VBOOST not populated"
6	BUCK3_IN	A_IN	Open
7	BUCK3_SW	A_OUT	Open
8	DBG	A_IN	Connection mandatory
9	BUCK3_FB	A_IN	Open – 1.5 MΩ internal resistor bridge pull down to GND
10	SCL	D_IN	External pull down to GND
11	SDA	D_IN/OUT	External pull down to GND
12	n.c.	n.c.	Open
13	n.c.	n.c.	Open
14	n.c.	n.c.	Open
15	n.c.	n.c.	Open
16	VMON1	A_IN	Open – 2 MΩ internal pull down to GND, OTP_VMON1_EN=0

Pin	Name	Type	Connection if not used
17	VCOREMON	A_IN	Connection mandatory
18	PGOOD	D_OUT	Connection mandatory
19	RSTB	D_OUT	Connection mandatory
20	FIN	D_IN	External pull down to GND
21	GND	GND	Connection mandatory
22	GND	GND	Connection mandatory
23	VDDIO	A_IN	Connection mandatory
24	FOUT	D_OUT	Open – push pull structure
25	n.c.	n.c.	Open
26	n.c.	n.c.	Open
27	n.c.	GND	External pull down to GND
28	n.c.	n.c.	Open
29	AMUX	A_OUT	Open
30	n.c.	n.c.	Open
31	n.c.	n.c.	Open
32	BUCK2_FB	A_IN	Open – 1.5 MΩ Internal resistor bridge pull down to GND
33	INTB	D_OUT	Open – 10 kΩ internal pull up to VDDIO
34	BUCK2_SW	A_OUT	Open
35	BUCK2_IN	A_IN	Open
36	BUCK1_IN	A_IN	Connection mandatory
37	BUCK1_SW	A_OUT	Connection mandatory
38	PSYNC	D_IN/OUT	External pull up to VBOS
39	BUCK1_FB	A_IN	Connection mandatory
40	n.c.	n.c.	External pull down to GND
41	PRE_COMP	A_IN	See Section 20.7 "VPRE not populated"
42	PRE_CSP	A_IN	See Section 20.7 "VPRE not populated"
43	PRE_GLS	A_OUT	See Section 20.7 "VPRE not populated"
44	PRE_SW	A_OUT	See Section 20.7 "VPRE not populated"
45	PRE_GHS	A_OUT	See Section 20.7 "VPRE not populated"
46	PRE_BOOT	A_IN/OUT	See Section 20.7 "VPRE not populated"
47	VBOS	A_OUT	Connection mandatory
48	PRE_FB	A_IN	See Section 20.7 "VPRE not populated"
49	WAKE1	A_IN / D_IN	External pull down to GND
50	VSUP1	A_IN	Connection mandatory
51	VSUP2	A_IN	Connection mandatory
52	n.c.	n.c.	Open
53	VBOOST	A_OUT	See Section 21.5 "VBOOST not populated"
54	LDO2	A_OUT	Open – power sequence slot 7, OTP_LDO1S[2:0] = '111'
55	LDO1	A_OUT	Open – power sequence slot 7, OTP_LDO2S[2:0] = '111'
56	LDO1_IN	A_IN	Open
57	EP	GND	Connection mandatory

9 Maximum ratings

Table 4. Maximum ratings

All voltages are with respect to ground, unless otherwise noted. Exceeding these ratings may cause a malfunction or permanent damage to the device.

Symbol	Parameter	Conditions	Min	Max	Unit
Voltage ratings					
VSUP1/2	DC voltage	power supply VSUP1,2 pins	-0.3	60	V
WAKE1/2	DC voltage	WAKE1,2 pins; external serial resistor mandatory	-1.0	60	V
PRE_SW	DC voltage	PRE_SW pin	-2.0	60	V
VMON1, VCOREMON	DC voltage	VMON1, VCOREMON pins	-0.3	60	V
PRE_GHS, PRE_BOOT	DC voltage	PRE_GHS, PRE_BOOT pins	-0.3	65.5	V
DBG	DC voltage	DBG pin	-0.3	10	V
BOOST_LS	DC voltage	BOOST_LS pin	-0.3	8.5	V
VBOOST, LDO1_IN	DC voltage	VBOOST, LDO1_IN pins	-0.3	6.5	V
BUCKx_IN	DC voltage	BUCK1_IN, BUCK2_IN, BUCK3_IN, BUCK3_INQ	-1.0	5.5	V
BUCKx_IN	Transient voltage < 3 μ s	BUCK1_IN, BUCK2_IN, BUCK3_IN, BUCK3_INQ	-1.0	6.5	V
BUCKx_SW	Transient voltage < 20 ns	BUCK1_SW, BUCK2_SW, BUCK3_SW	-2.0	6.5	V
All other pins	DC voltage	at all other pins	-0.3	5.5	V
Current ratings					
I_WAKE	Maximum current capability	WAKE1,2	-5.0	5.0	mA
I_SUP	Maximum current capability	VSUP1,2	-5.0	—	mA

10 Electrostatic discharge

10.1 Human body model (JESD22/A114)

The device is protected up to ± 2 kV, according to the human body model standard with 100 pF and 1.5 k Ω . This protection is ensured at all pins.

10.2 Charged device model

The device is protected up to ± 500 V, according to the AEC-Q100 - 011 charged device model standard. This protection is ensured at all pins.

10.3 Discharged contact test

The device is protected up to ± 8 kV, according to the following discharged contact tests.

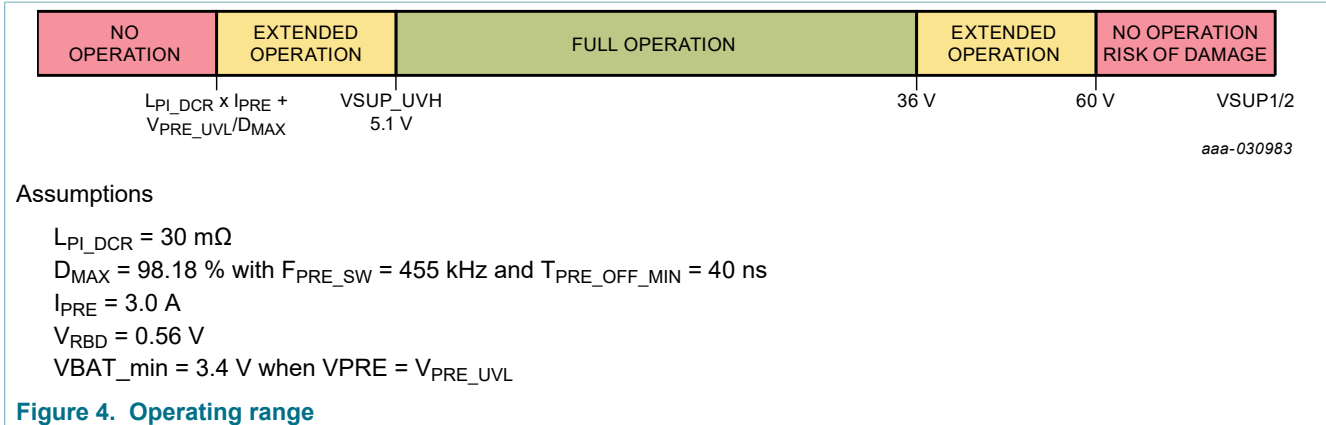
Discharged contact test (IEC61000-4-2) at 150 pF and 330 Ω

Discharged contact test (ISO10605.2008) at 150 pF and 2 k Ω

Discharged contact test (ISO10605.2008) at 330 pF and 2 k Ω

This protection is ensured at VSUP1, VSUP2, WAKE1, WAKE2 pins.

11 Operating range



- Below VSUP_UVH threshold, the extended operation range depends on VPRE output voltage configuration and external components.
 - When VPRE is configured at 5.0 V, VPRE may not remain in its regulation range
 - VSUP minimum voltage depends on external components (L_{PI_DCR}) and application conditions (I_{PRE} , F_{PRE_SW})
- The VR5500 maximum continuous operating voltage is 36 V when VPRE is switching at 455 kHz. It has been validated at 48 V for limited duration of 15 minutes at room temperature to satisfy the jump-start requirement of 24 V applications. It can sustain 58 V load dump without external protection.
- When VPRE is switching at 2.2 MHz, the VR5500 maximum continuous operating voltage is 18 V. It is validated at 26 V for limited duration of 2 minutes at room temperature to satisfy the jump-start requirement of 12 V applications and 35 V load dump.

12 Thermal ratings

Table 5. Thermal ratings

Symbol	Parameter	Conditions	Min	Max	Unit
$R_{\theta JA}$	Thermal resistance junction to ambient	2s2p circuit board [1]	—	31	°C/W
$R_{\theta JA}$	Thermal resistance junction to ambient	2s6p circuit board [1]	—	23	°C/W
$R_{\theta JB}$	Thermal resistance junction to board	2s2p circuit board [1]	—	15	°C/W
$R_{\theta JB}$	Thermal resistance junction to board	2s6p circuit board [1]	—	10	°C/W
$R_{\theta JC_BOT}$	Thermal resistance junction to case bottom	between the die and the solder pad on the bottom of the package [1]	—	1	°C/W
$R_{\theta JP_TOP}$	Thermal resistance junction to package top	between package top and the junction temperature [1]	—	3	°C/W
T_A	Ambient temperature (Grade 1)		-40	125	°C
T_J	Junction temperature (Grade 1)		-40	150	°C
T_{STG}	Storage temperature		-55	150	°C

[1] per JEDEC JESD51-2 and JESD51-8

13 Characteristics

Table 6. Electrical characteristics

$T_A = -40\text{ }^{\circ}\text{C}$ to $125\text{ }^{\circ}\text{C}$, unless otherwise specified. $V_{SUP} = V_{SUP_UVH}$ to 36 V , unless otherwise specified. All voltages referenced to ground.

Symbol	Parameter	Min	Typ	Max	Unit
Power supply					
I_{SUP_NORMAL}	Current in Normal mode, all regulators ON ($I_{OUT} = 0$)	—	15	25	mA
$I_{SUP_STANDBY}$	Current in Standby mode, all regulators OFF except VBOS	—	5	10	mA
I_{SUP_OFF1}	Current in OFF mode (power down), $T_A < 85\text{ }^{\circ}\text{C}$	—	10	15	μA
I_{SUP_OFF2}	Current in OFF mode (power down), $T_A = 125\text{ }^{\circ}\text{C}$	—	—	25	μA
V_{SUP_UV7}	VSUP undervoltage threshold (7.0 V)	7.2	7.5	7.8	V
V_{SUP_UVH}	VSUP undervoltage threshold high (during power-up and V_{sup} rising) OTP_VSUP_CFG = 0	4.7	—	5.1	V
	VSUP undervoltage threshold high (during power-up and V_{sup} rising) OTP_VSUP_CFG = 1	6.0	—	6.4	V
V_{SUP_UVL}	VSUP undervoltage threshold low (during power-up and V_{sup} falling) OTP_VSUP_CFG = 0	4.0	—	4.4	V
	VSUP undervoltage threshold low (during power-up and V_{sup} falling) OTP_VSUP_CFG = 1	5.3	—	5.7	V
T_{SUP_UV}	V_{SUP_UV7} , V_{SUP_UVH} , and V_{SUP_UVL} filtering time	6.0	10	15	μs

14 Functional description

The VR5500 device has two independent logic blocks. The main state machine manages the power management, the Standby mode and the wake-up sources. The fail-safe state machine manages the voltage monitoring of the power management.

In case of loss of VPRE ($VPRE < V_{PRE_UVL}$) or loss of VBOS ($VBOS < V_{BOS_UVL}$), the device stops and goes directly to Standby mode without power down sequence. VPRE restarts when $VSUP > V_{SUP_UVH}$ and $WAKE1$ or $WAKE2 > WAKE12_{VIH}$.

In case of VPRE_FB_OV detection, or TSD detection on a regulator depending on OTP_conf_tsd[5:0] bits configuration, or deep fail-safe request from the fail-safe state machine when DFS = 1, the device stops and goes directly to DEEP-FS mode without power down sequence.

Exit of DEEP-FS mode is only possible by $WAKE1 = 0$ or after 4 s if the autoretry feature is activated by OTP_Autoretry_en bit. The number of autoretry can be limited to 15 or infinite depending on OTP_Autoretry_infinite bit. VPRE restarts when $VSUP > V_{SUP_UVH}$ and $WAKE1 > WAKE12_{VIH}$.

14.3 Fail-safe state machine

The fail-safe state machine starts when $VBOS > V_{BOS_POR}$. RSTB and PGOOD pins are released and the initialization of the device is opened.

When RSTB and PGOOD pins are released, the device is ready for application running mode with all the selected monitoring activated. From now on, the VR5500 reacts by asserting the pins (PGOOD, RSTB) according to its configuration when a fault is detected.

14.4 Power sequencing

VPRE is the first regulator to start automatically, followed by the BOOST, before the SLOT_0. The other regulators are starting from the OTP power sequencing configuration. Seven slots are available to program the start-up sequence of BUCK1, BUCK 2, BUCK 3, LDO1, and LDO2 regulators. The delay between each slot is configurable to 250 μ s or 1 ms by OTP using OTP_Tslot bit to accommodate the different ramp up speed of BUCK1, BUCK2, and BUCK3.

The power-up sequence starts at SLOT_0 and ends at SLOT_7 while the power down sequence is executed in reverse order. All the SLOTS are executed even if there is no regulator assigned to a SLOT. The regulators assigned to SLOT_7 are not started during the power-up sequence. They can be started (or not) later in Normal_M mode with a I2C command to write in M_REG_CTRL1 register, if enabled by OTP.

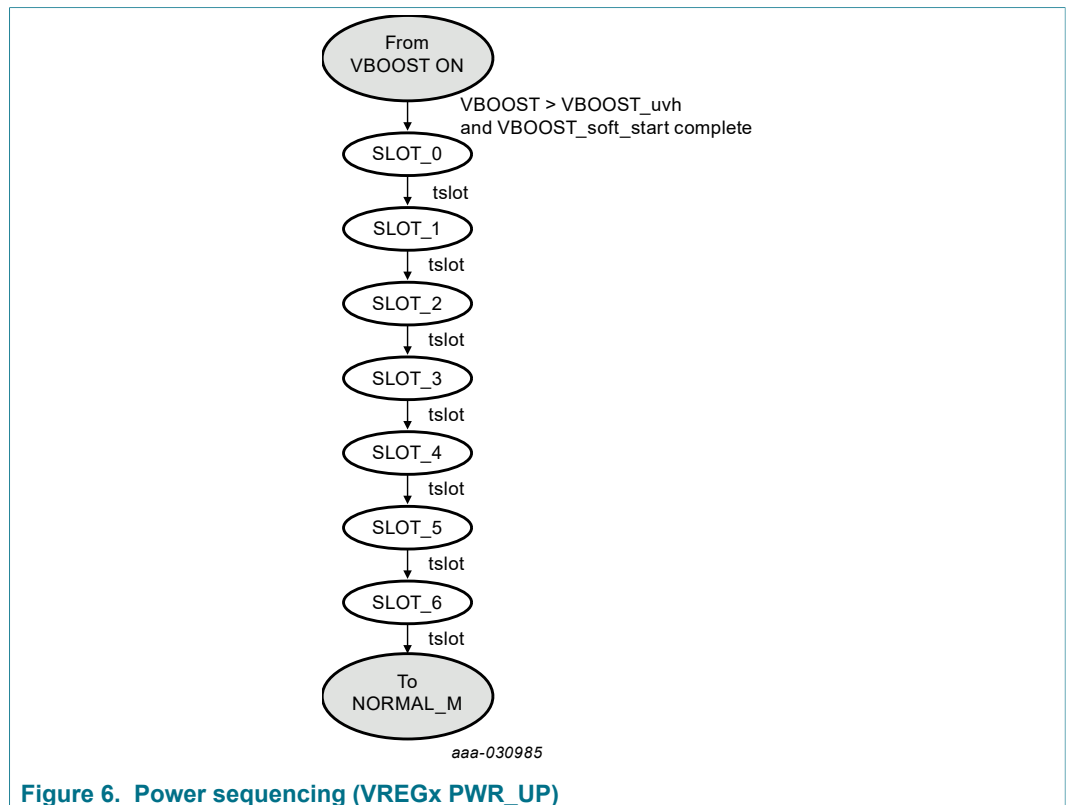
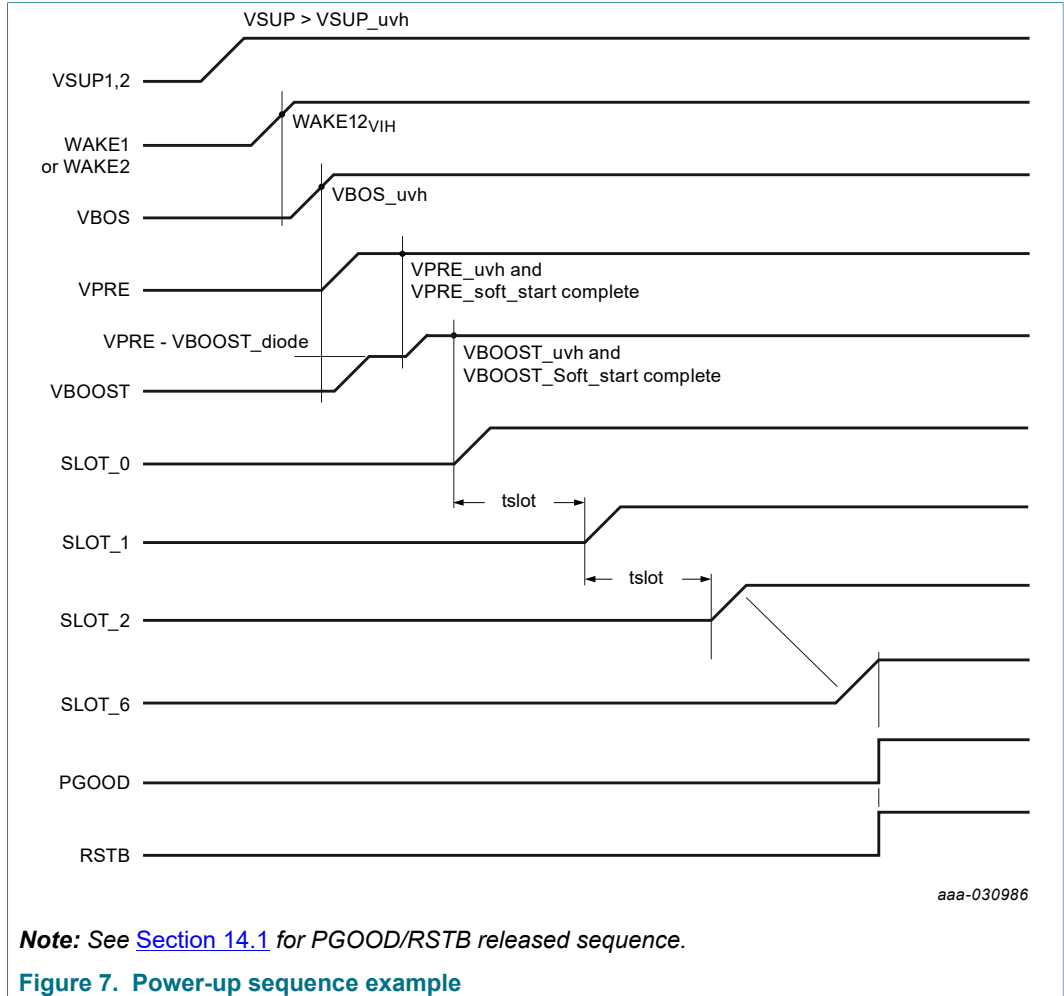


Figure 6. Power sequencing (VREGx PWR_UP)

Each regulator is assigned to a SLOT by OTP configuration using OTP_VB1S[2:0] for BUCK1, OTP_VB2S[2:0] for BUCK2, OTP_VB3S[2:0] for BUCK3, OTP_LDO1S[2:0] for LDO1 and OTP_LDO2S[2:0] for LDO2.

The different soft start duration of the BUCKs and the LDOs should be considered in the SLOT assignment to achieve the correct sequence.



The VR5500_OTP_Mapping file used to generate the OTP configuration of the device draws the power-up sequence of an OTP configuration in the OTP_conf_summary sheet.

14.5 Debug mode

The VR5500 enters in Debug mode with the sequence described in [Figure 8](#):

1. $DBG\ pin = V_{DBG}$ and $VSUP > V_{SUP_UVH}$
2. $WAKE1$ or $WAKE2 > WAKE12_{VIH}$

V_{DBG} and $VSUP$ can come up at the same time as long as $WAKE1$ or $WAKE2$ comes up the last.

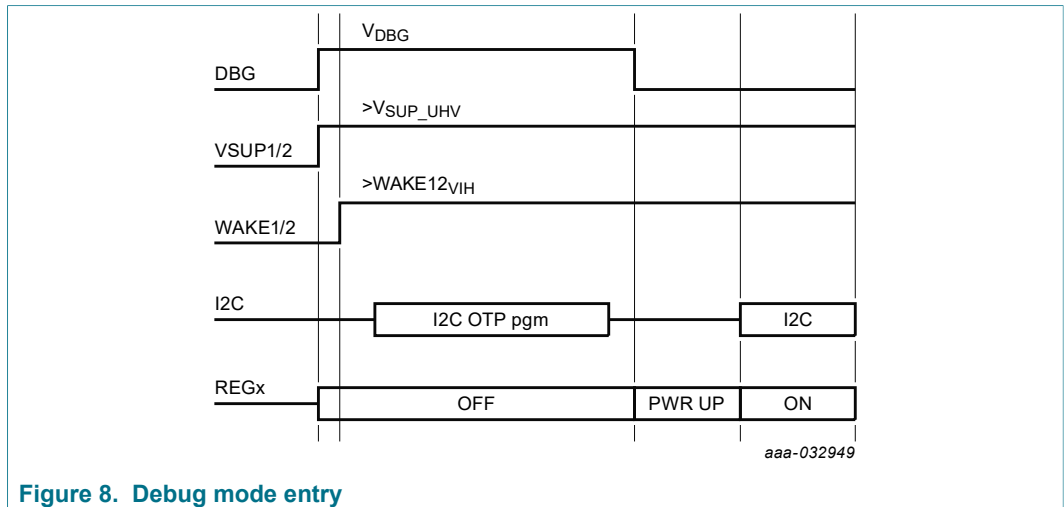


Figure 8. Debug mode entry

When the DBG pin is asserted low after T_{DBG} without I2C command access, the device starts with the internal OTP configuration.

If V_{DBG} voltage is maintained at DBG pin, a new OTP configuration can be emulated or programmed by I2C communication using NXP FlexGUI interface and NXP socket EVB. When the OTP process is completed, the device starts with the new OTP configuration when DBG pin is asserted low. The OTP emulation/programming is possible for during engineering development only. The OTP programming in production is done by NXP only.

In OTP Debug mode (DBG = 5.0 V), the I2C address is fixed to 0x20 for the main digital access and 0x21 for the fail-safe digital access.

Refer to AN12589 for more details on Debug mode entry implementation.

Table 7. Electrical characteristics

$T_A = -40\text{ }^\circ\text{C}$ to $125\text{ }^\circ\text{C}$, unless otherwise specified. $VSUP = VSUP_{UVH}$ to 36 V, unless otherwise specified. All voltages referenced to ground.

Symbol	Parameter	Min	Typ	Max	Unit
V_{DBG}	Debug mode entry threshold	4.5	—	5.5	V
T_{DBG}	Debug mode entry filtering time (minimum duration of $DBG = V_{DBG}$ after $VSUP > VSUP_{UVH}$ and $WAKE1$ or $WAKE2 > WAKE12_{VIH}$)	7.0	—	—	ms

15 Register mapping

Register	M/FS	Address						R/W I2C	Read / Write	Reference
		Adr_5	Adr_4	Adr_3	Adr_2	Adr_1	Adr_0			
M_FLAG	0	0	0	0	0	0	0	1/0	Read / Write	Section 16.3
M_MODE	0	0	0	0	0	0	1	1/0	Read / Write	Section 16.4
M_REG_CTRL1	0	0	0	0	0	1	0	1/0	Read / Write	Section 16.5
M_REG_CTRL2	0	0	0	0	0	1	1	1/0	Read / Write	Section 16.6
M_AMUX	0	0	0	0	1	0	0	1/0	Read / Write	Section 16.7
M_CLOCK	0	0	0	0	1	0	1	1/0	Read / Write	Section 16.8
M_INT_MASK1	0	0	0	0	1	1	0	1/0	Read / Write	Section 16.9
M_INT_MASK2	0	0	0	0	1	1	1	1/0	Read / Write	Section 16.10
M_FLAG1	0	0	0	1	0	0	0	1/0	Read / Write	Section 16.11
M_FLAG2	0	0	0	1	0	0	1	1/0	Read / Write	Section 16.12
M_VMON_REGX	0	0	0	1	0	1	0	1/0	Read / Write	Section 16.13
M_LVB1_SVS	0	0	0	1	0	1	1	1	Read only	Section 16.14
M_MEMORY0	0	1	0	0	0	1	1	1/0	Read / Write	Section 16.15
M_MEMORY1	0	1	0	0	1	0	0	1/0	Read / Write	Section 16.16
M_DEVICEID	0	1	0	0	1	0	1	1	Read only	Section 16.17
FS_GRL_FLAGS	1	0	0	0	0	0	0	1	Read only	Section 17.3
FS_I_OVUV_SAFE_REACTION1	1	0	0	0	0	0	1	1/0	Write during INIT then Read only	Section 17.4
FS_I_NOT_OVUV_SAFE_REACTION1	1	0	0	0	0	1	0	1/0	Write during INIT then Read only	
FS_I_OVUV_SAFE_REACTION2	1	0	0	0	0	1	1	1/0	Write during INIT then Read only	Section 17.5
FS_I_NOT_OVUV_SAFE_REACTION2	1	0	0	0	1	0	0	1/0	Write during INIT then Read only	
FS_I_FSSM	1	0	0	1	0	0	1	1/0	Write during INIT then Read only	Section 17.6
FS_I_NOT_FSSM	1	0	0	1	0	1	0	1/0	Write during INIT then Read only	
FS_I_SVS	1	0	0	1	0	1	1	1/0	Write during INIT then Read only	Section 17.7
FS_I_NOT_SVS	1	0	0	1	1	0	0	1/0	Write during INIT then Read only	
FS_OVUVREG_STATUS	1	0	1	0	0	0	1	1/0	Read / Write	Section 17.8
FS_SAFE_IOS	1	0	1	0	0	1	1	1/0	Read / Write	Section 17.9
FS_DIAG	1	0	1	0	1	0	0	1/0	Read / Write	Section 17.10
FS_INTB_MASK	1	0	1	0	1	0	1	1/0	Read / Write	Section 17.11
FS_STATES	1	0	1	0	1	1	0	1/0	Read / Write	Section 17.12

16 Main register mapping

16.1 Main writing registers overview

Table 8. Main writing registers overview

Logic	Register name	bit 23	bit 22	bit 21	bit 20	bit 19	bit 18	bit 17	bit 16	
		bit 15	bit 14	bit 13	bit 12	bit 11	bit 10	bit 9	bit 8	
Main	M_FLAG	0	0	0	0	0	0	0	0	
		0	0	0	0	0	0	I2C_M_CRC	I2C_M_REQ	
	M_MODE	0	0	0	0	0	0	0	0	
		0	EXT_FIN_DIS	0	0	0	0	W2DIS	W1DIS	GoToSTBY
	M_REG_CTRL1	VPRE_PD_DIS	VPDIS	BOOSTDIS	BUCK1DIS	BUCK2DIS	BUCK3DIS	LDO1DIS	LDO2DIS	
		0	VPEN	BOOSTEN	BUCK1EN	BUCK2EN	BUCK3EN	LDO1EN	LDO2EN	
	M_REG_CTRL2	VBSTSR[1:0]		BOOSTTSDCFG	BUCK1TSDCFG	BUCK2TSDCFG	BUCK3TSDCFG	LDO1TSDCFG	LDO2TSDCFG	
		0	0	0	VPRESRLS[1:0]		0	VPRESRHS[1:0]		
	M_AMUX	0	0	0	0	0	0	0	0	
		0	0	RATIO	AMUX[4:0]					
	M_CLOCK	MOD_CONF	FOUT_MUX_SEL[3:0]				FOUT_PHASE[2:0]			
		FOUT_CLK_SEL	EXT_FIN_SEL	FIN_DIV	MOD_EN	CLK_TUNE[3:0]				
	M_INT_MASK1	0	VPREOC_M	0	BUCK1OC_M	BUCK2OC_M	BUCK3OC_M	LDO1OC_M	LDO2OC_M	
		0	0	BOOSTTSD_M	BUCK1TSD_M	BUCK2TSD_M	BUCK3TSD_M	LDO1TSD_M	LDO2TSD_M	
	M_INT_MASK2	0	0	0	0	VBOOSTOV_M	VBOSUVH_M	COM_M	VPRE_FB_OV_M	
		VBOOST_UVH_M	VSUPUV7	0	VPREUVH	VSUPUVL_M	VSUPUVH_M	WAKE1_M	WAKE2_M	
	M_FLAG1	VBOSUVH	VBOOSTUVH	VPREOC	BUCK1OC	BUCK2OC	BUCK3OC	LDO1OC	LDO2OC	
		0	VBOOSTOV	VBOOSTOT	BUCK1OT	BUCK2OT	BUCK3OT	LDO1OT	LDO2OT	
	M_FLAG2	VPRE_FB_OV	VSUPUV7	0	0	0	0	0	0	
		VPREUVL	VPREUVH	VSUPUVL	VSUPUVH	0	0	WK2FLG	WK1FLG	
	M_VMON_REGX	0	0	0	0	0	0	0	0	
		0	0	0	0	0	VMON1_REG[2:0]			
	M_MEMORY0	MEMORY0[15:0]								
	M_MEMORY1	MEMORY1[15:0]								

16.2 Main reading registers overview

Table 9. Main reading registers overview

Logic	Register name	bit 23	bit 22	bit 21	bit 20	bit 19	bit 18	bit 17	bit 16	
		bit 15	bit 14	bit 13	bit 12	bit 11	bit 10	bit 9	bit 8	
Main	M_FLAG	COM_ERR	WU_G	VPRE_G	VBOOST_G	VBUCK1_G	VBUCK2_G	VBUCK3_G	VLDO1_G	
		VLDO2_G	0	0	0	0	0	I2C_M_CRC	I2C_M_REQ	
	M_MODE	RESERVED	RESERVED	RESERVED	RESERVED	RESERVED	RESERVED	RESERVED	RESERVED	PLL_LOCK_RT
		EXT_FIN_SEL_RT	RESERVED	MAIN_NORMAL	RESERVED	RESERVED	RESERVED	W2DIS	W1DIS	RESERVED
	M_REG_CTRL1	VPRE_PD_DIS	VPDIS	BOOSTDIS	BUCK1DIS	BUCK2DIS	BUCK3DIS	LDO1DIS	LDO2DIS	
		0	VPEN	BOOSTEN	BUCK1EN	BUCK2EN	BUCK3EN	LDO1EN	LDO2EN	
	M_REG_CTRL2	VBSTSR[1:0]		BOOSTTSDCFG	BUCK1TSDCFG	BUCK2TSDCFG	BUCK3TSDCFG	LDO1TSDCFG	LDO2TSDCFG	
		RESERVED	RESERVED	RESERVED	VPRESRLS[1:0]		RESERVED	VPRESRHS[1:0]		
	M_AMUX	RESERVED	RESERVED	RESERVED	RESERVED	RESERVED	RESERVED	RESERVED	RESERVED	RESERVED
		RESERVED	RESERVED	RATIO	AMUX[4:0]					
	M_CLOCK	MOD_CONF	FOUT_MUX_SEL[3:0]				FOUT_PHASE[2:0]			
		FOUT_CLK_SEL	RESERVED	FIN_DIV	MOD_EN	CLK_TUNE[3:0]				
	M_INT_MASK1	RESERVED	VPREOC_M	RESERVED	BUCK1OC_M	BUCK2OC_M	BUCK3OC_M	LDO1OC_M	LDO2OC_M	
		RESERVED	RESERVED	BOOSTTSD_M	BUCK1TSD_M	BUCK2TSD_M	BUCK3TSD_M	LDO1TSD_M	LDO2TSD_M	
	M_INT_MASK2	RESERVED	RESERVED	RESERVED	RESERVED	VBOOSTOV_M	VBOSUVH_M	COM_M	VPRE_FB_OV_M	
		VBOOST_UVH_M	VSUPUV7_M	RESERVED	VPREUVH_M	VSUPUV_M	VSUPUVH_M	WAKE1_M	WAKE2_M	
	M_FLAG1	VBOSUVH	VBOOSTUVH	VPREOC	BUCK1OC	BUCK2OC	BUCK3OC	LDO1OC	LDO2OC	
		CLK_FIN_DIV_OK	VBOOSTOV	VBOOSTOT	BUCK1OT	BUCK2OT	BUCK3OT	LDO1OT	LDO2OT	
	M_FLAG2	VPRE_FB_OV	VSUPUV7	BOOST_ST	BUCK1_ST	BUCK2_ST	BUCK3_ST	LDO1_ST	LDO2_ST	
		VPREUVL	VPREUVH	VSUPUVL	VSUPUVH	WK2RT	WK1RT	WK2FLG	WK1FLG	
	M_VMON_REGX	RESERVED	RESERVED	RESERVED	RESERVED	RESERVED	RESERVED	RESERVED	RESERVED	
		RESERVED	RESERVED	RESERVED	RESERVED	RESERVED	RESERVED	VMON1_REG[2:0]		
	M_LVB1_SVS	RESERVED	RESERVED	RESERVED	RESERVED	RESERVED	RESERVED	RESERVED	RESERVED	
		RESERVED	RESERVED	RESERVED	LVB1_SVS[4:0]					
	M_MEMORY0	MEMORY0[15:0]								
	M_MEMORY1	MEMORY1[15:0]								
M_DEVICEID	FM_REV[3:0]				MM_REV[3:0]				DEVICEID[7:0]	
	DEVICEID[7:0]									

16.3 M_FLAG register

Table 10. M_FLAG register bit allocation

Bit	23	22	21	20	19	18	17	16
Write	0	0	0	0	0	0	0	0
Read	COM_ERR	WU_G	VPRE_G	VBOOST_G	VBUCK1_G	VBUCK2_G	VBUCK3_G	VLDO1_G
Reset	0	1	1	0	0	0	0	0

Bit	15	14	13	12	11	10	9	8
Write	0	0	0	0	0	0	I2C_M_CRC	I2C_M_REQ
Read	VLDO2_G	0	0	0	0	0	I2C_M_CRC	I2C_M_REQ
Reset	0	0	0	0	0	0	0	0

Table 11. M_FLAG register bit description

Bit	Symbol	Description
23	COM_ERR	Report an error in the communication (I2C) COM_ERR = I2C_M_CRC or I2C_M_REQ or FS_COM_G
		0 No failure
		1 Failure
		Reset condition: Real-time information - cleared when all individual bits are cleared
22	WU_G	Report a wake-up event by WAKE1 or WAKE2 WU_G = WK1FLG or WK2FLG
		0 No wake event
		1 Wake event
		Reset condition: Real-time information - cleared when all individual bits are cleared
21	VPRE_G	Report an event on VPRE (status change or failure) VPRE_G = VPREOC or VPREUVH or VPREUVL or VPRE_FB_OV
		0 No event
		1 Event occurred
		Reset condition: Real-time information - cleared when all individual bits are cleared
20	VBOOST_G	Report an event on VBOOST (status change or failure) VBOOST_G = VBOOSTOT or BOOSTOV
		0 No event
		1 Event occurred
		Reset condition: Real-time information - cleared when all individual bits are cleared
19	VBUCK1_G	Report an event on BUCK1 (status change or failure) VBUCK1_G = BUCK1OC or BUCK1OT
		0 No event
		1 Event occurred
		Reset condition: Real-time information - cleared when all individual bits are cleared
18	VBUCK2_G	Report an event on BUCK2 (status change or failure) VBUCK2_G = BUCK2OC or BUCK2OT
		0 No event
		1 Event occurred
		Reset condition: Real-time information - cleared when all individual bits are cleared
17	VBUCK3_G	Report an event on BUCK3 (status change or failure) VBUCK3_G = BUCK3OC or BUCK3OT
		0 No event
		1 Event occurred
		Reset condition: Real-time information - cleared when all individual bits are cleared
16	VLDO1_G	Report an event on LDO1 (status change or failure) VLDO1_G = LDO1OC or LDO1OT
		0 No event
		1 Event occurred
		Reset condition: Real-time information

Bit	Symbol	Description
15	VLDO2_G	Report an event on LDO2 (status change or failure) VLDO2_G = LDO2OC or LDO2OT
		0 No event
		1 Event occurred
		Reset condition: Real-time information
9	I2C_M_CRC	Main domain I2C communication CRC issue
		0 No error
		1 Error detected in the I2C CRC
		Reset condition: POR / clear on write (write '1')
8	I2C_M_REQ	Invalid main domain I2C access (wrong Write or Read, Write to INIT registers in normal mode, wrong address)
		0 No error
		1 I2C violation
		Reset condition: POR / clear on Write (write '1')

16.4 M_MODE register

Table 12. M_MODE register bit allocation

Bit	23	22	21	20	19	18	17	16
Write	0	0	0	0	0	0	0	0
Read	RESERVED	RESERVED	RESERVED	RESERVED	RESERVED	RESERVED	RESERVED	PLL_LOCK_RT
Reset	0	0	0	0	0	0	0	0

Bit	15	14	13	12	11	10	9	8
Write	0	EXT_FIN_DIS	0	0	0	W2DIS	W1DIS	GoToSTBY
Read	EXT_FIN_SEL_RT	RESERVED	MAIN_NORMAL	RESERVED	RESERVED	W2DIS	W1DIS	RESERVED
Reset	0	0	1	0	0	0	0	0

Table 13. M_MODE register bit description

Bit	Symbol	Description
16	PLL_LOCK_RT	Real-time status of the PPL
		0 PLL not locked
		1 PLL locked
		Reset condition: POR
15	EXT_FIN_SEL_RT	Real-time status of FIN clock selection
		0 Internal clock oscillator is selected
		1 External FIN clock is selected
		Reset condition: POR

Bit	Symbol	Description
14	EXT_FIN_DIS	Disable request of EXT FIN selection at PLL input
		0 No effect
		1 Disable FIN selection
		Reset condition: POR
13	MAIN_NORMAL	Main state machine status
		0 Main state machine is not in Normal mode
		1 Main state machine is in Normal mode
		Reset condition: POR
10	W2DIS	WAKE2 wake up disable
		0 wake up enable
		1 wake up disable
		Reset condition: POR
9	W1DIS	WAKE1 wake up disable
		0 Wake up enable
		1 Wake up disable
		Reset condition: POR
8	GOTOSTBY	Standby mode request
		0 Device remains in current state
		1 Device enters in Standby mode
		Reset condition: POR

16.5 M_REG_CTRL1 register

Table 14. M_REG_CTRL1 register bit allocation

Bit	23	22	21	20	19	18	17	16
Write	VPRE_PD_DIS	VPDIS	BOOSTDIS	BUCK1DIS	BUCK2DIS	BUCK3DIS	LDO1DIS	LDO2DIS
Read	VPRE_PD_DIS	RESERVED	RESERVED	RESERVED	RESERVED	RESERVED	RESERVED	RESERVED
Reset	0	0	0	0	0	0	0	0

Bit	15	14	13	12	11	10	9	8
Write	0	VPEN	BOOSTEN	BUCK1EN	BUCK2EN	BUCK3EN	LDO1EN	LDO2EN
Read	RESERVED	RESERVED	RESERVED	RESERVED	RESERVED	RESERVED	RESERVED	RESERVED
Reset	0	0	0	0	0	0	0	0

Table 15. M_REG_CTRL1 register bit description

Bit	Symbol	Description
23	VPRE_PD_DIS	Force disable of VPRES pull-down
		0 No effect (VPRES pull-down is automatically controlled by the logic)
		1 VPRES pull-down disable request
		Reset condition: POR

Bit	Symbol	Description
22	VPDIS	Disable request of VPRE
		0 No effect (regulator remains in existing state)
		1 VPRE disable request
		Reset condition: POR
21	BOOSTDIS	Disable request of BOOST
		0 No effect (regulator remains in existing state)
		1 BOOST disable request
		Reset condition: POR
20	BUCK1DIS	Disable request of BUCK1
		0 No effect (regulator remains in existing state)
		1 BUCK1 disable request
		Reset condition: POR
19	BUCK2DIS	Disable request of BUCK2
		0 No effect (regulator remains in existing state)
		1 BUCK2 disable request
		Reset condition: POR
18	BUCK3DIS	Disable request of BUCK3
		0 No effect (regulator remains in existing state)
		1 BUCK3 disable request
		Reset condition: POR
17	LDO1DIS	Disable request of LDO1
		0 No effect (regulator remains in existing state)
		1 LDO1 disable request
		Reset condition: POR
16	LDO2DIS	Disable request of LDO2
		0 no effect (regulator remains in existing state)
		1 LDO2 disable request
		Reset condition: POR
14	VPEN	Enable request of VPRE
		0 No effect (regulator remains in existing state)
		1 VPRE enable request (after a VPDIS request)
		Reset condition: POR
13	BOOSTEN	Enable request of BOOST
		0 No effect (regulator remains in existing state)
		1 BOOST enable request
		Reset condition: POR
12	BUCK1EN	Enable request of BUCK1
		0 No effect (regulator remains in existing state)
		1 BUCK1 enable request
		Reset condition: POR

Bit	Symbol	Description
11	BUCK2EN	Enable request of BUCK2
		0 No effect (regulator remains in existing state)
		1 BUCK2 enable request
		Reset condition: POR
10	BUCK3EN	Enable request of BUCK3
		0 No effect (regulator remains in existing state)
		1 BUCK3 enable request
		Reset condition: POR
9	LDO1EN	Enable request of LDO1
		0 No effect (regulator remains in existing state)
		1 LDO1 enable request
		Reset condition: POR
8	LDO2EN	Enable request of LDO2
		0 no effect (regulator remains in existing state)
		1 LDO2 enable request
		Reset condition: POR

16.6 M_REG_CTRL2 register

Table 16. M_REG_CTRL2 register bit allocation

Bit	23	22	21	20	19	18	17	16
Write	VBSTSR[1:0]		BOOSTT SDCFG	BUCK1T SDCFG	BUCK2T SDCFG	BUCK3T SDCFG	LDO1T SDCFG	LDO2T SDCFG
Read	VBSTSR[1:0]		BOOSTT SDCFG	BUCK1T SDCFG	BUCK2T SDCFG	BUCK3T SDCFG	LDO1T SDCFG	LDO2T SDCFG
Reset	OTP	OTP	OTP	OTP	OTP	OTP	OTP	OTP

Bit	15	14	13	12	11	10	9	8
Write	0	0	0	VPRESRLS[1:0]		0	VPRESRHS[1:0]	
Read	RESERVED	RESERVED	RESERVED	VPRESRLS[1:0]		RESERVED	VPRESRHS[1:0]	
Reset	0	0	0	1	1	0	OTP	OTP

Table 17. M_REG_CTRL2 register bit description

Bit	Symbol	Description
23 to 22	VBSTSR[1:0]	VBOOST low-side slew rate control
		00 50 V/μs - slow
		01 100 V/μs – medium
		10 300 V/μs – fast
		11 500 V/μs – ultra fast
		Reset condition: POR

Bit	Symbol	Description
21	BOOSTTSDCFG	BOOST behavior in case of TSD
		0 Regulator shutdown
		1 Regulator shutdown and state machine transition to DEEP-FS
		Reset condition: POR
20	BUCK1TSDCFG	BUCK1 behavior in case of TSD
		0 Regulator shutdown
		1 Regulator shutdown and state machine transition to DEEP-FS
		Reset condition: POR
19	BUCK2TSDCFG	BUCK2 behavior in case of TSD
		0 Regulator shutdown
		1 Regulator shutdown and state machine transition to DEEP-FS
		Reset condition: POR
18	BUCK3TSDCFG	BUCK3 behavior in case of TSD
		0 Regulator shutdown
		1 Regulator shutdown and state machine transition to DEEP-FS
		Reset condition: POR
17	LDO1TSDCFG	LDO1 behavior in case of TSD
		0 Regulator shutdown
		1 Regulator shutdown and state machine transition to DEEP-FS
		Reset condition: POR
16	LDO2TSDCFG	LDO2 behavior in case of TSD
		0 Regulator shutdown
		1 Regulator shutdown and state machine transition to DEEP-FS
		Reset condition: POR
12 to 11	VPRESRLS[1:0]	VPRE low-side slew rate control
		00 130 mA typical drive capability - slow
		01 260 mA typical drive capability - medium
		10 520 mA typical drive capability - fast
		11 900 mA typical drive capability - ultra fast
Reset condition: POR		
9 to 8	VPRESRHS[1:0]	VPRE high-side slew rate control
		00 130 mA typical drive capability - slow
		01 260 mA typical drive capability - medium
		10 520 mA typical drive capability - fast
		11 900 mA typical drive capability - ultra fast
Reset condition: POR		

16.7 M_AMUX register

Table 18. M_AMUX register bit allocation

Bit	23	22	21	20	19	18	17	16
Write	0	0	0	0	0	0	0	0
Read	RESERVED	RESERVED	RESERVED	RESERVED	RESERVED	RESERVED	RESERVED	RESERVED
Reset	0	0	0	0	0	0	0	0

Bit	15	14	13	12	11	10	9	8
Write	0	0	RATIO	AMUX[4:0]				
Read	RESERVED	RESERVED	RATIO	AMUX[4:0]				
Reset	0	0	0	0	0	0	0	0

Table 19. M_AMUX register bit description

Bit	Symbol	Description
13	RATIO	Selection of divider ratio for Vsup, Wake1 and Wake 2 inputs
		0 Ratio = 7.5 when V _{SUP} is selected, 7.45 when WAKE1 or WAKE2 are selected
		1 Ratio = 14 when V _{SUP} is selected, 13.85 when WAKE1 or WAKE2 are selected
		Reset condition
12 to 8	AMUX[4:0]	See Table 77

16.8 M_CLOCK register

Table 20. M_CLOCK register bit allocation

Bit	23	22	21	20	19	18	17	16
Write	MOD_CONF	FOUT_MUX_SEL[3:0]				FOUT_PHASE[2:0]		
Read	MOD_CONF	FOUT_MUX_SEL[3:0]				FOUT_PHASE[2:0]		
Reset	0	0	0	0	0	0	0	0

Bit	15	14	13	12	11	10	9	8
Write	FOUT_CLK_SEL	EXT_FIN_SEL	FIN_DIV	MOD_EN	CLK_TUNE[3:0]			
Read	FOUT_CLK_SEL	RESERVED	FIN_DIV	MOD_EN	CLK_TUNE[3:0]			
Reset	0	0	0	0	0	0	0	0

Table 21. M_CLOCK register bit description

Bit	Symbol	Description
23	MOD_CONF	Modulation configuration of main oscillator
		0 range ± 5 % 23 kHz
		1 range ± 5 % 94 kHz
		Reset condition: POR
22 to 19	FOUT_MUX_SEL[3:0]	See Table 75

Bit	Symbol	Description
18 to 16	FOUT_PHASE[2:0]	FOUT phase shifting configuration (see Section 25.2 "Phase shifting")
		000 No shift
		001 Shifted by 1 clock cycle of CLK running at 20 MHz
		010 Shifted by 2 clock cycle of CLK running at 20 MHz
		011 Shifted by 3 clock cycle of CLK running at 20 MHz
		100 Shifted by 4 clock cycle of CLK running at 20 MHz
		101 Shifted by 5 clock cycle of CLK running at 20 MHz
		110 Shifted by 6 clock cycle of CLK running at 20 MHz
		111 Shifted by 7 clock cycle of CLK running at 20 MHz
		Reset condition: POR
15	FOUT_CLK_SEL	FOUT_clk frequency selection (CLK1 or CLK2)
		0 FOUT_clk = CLK1
		1 FOUT_clk = CLK2
		Reset condition: POR
14	EXT_FIN_SEL	Enable request of EXT FIN selection at PLL input
		0 No effect
		1 FIN selection request
		Reset condition: POR
13	FIN_DIV	FIN input signal divider selection
		0 Divider by 1
		1 Divider by 6
		Reset condition: POR
12	MOD_EN	Modulation activation of main oscillator
		0 Modulation disabled
		1 Modulation enabled
		Reset condition: POR
11 to 8	CLK_TUNE[3:0]	See Table 74

16.9 M_INT_MASK1 register

Table 22. M_INT_MASK1 register bit allocation

Bit	23	22	21	20	19	18	17	16
Write	0	VPREOC_M	0	BUCK1OC_M	BUCK2OC_M	BUCK3OC_M	LDO1OC_M	LDO2OC_M
Read	RESERVED	VPREOC_M	RESERVED	BUCK1OC_M	BUCK2OC_M	BUCK3OC_M	LDO1OC_M	LDO2OC_M
Reset	0	0	0	0	0	0	0	0

Bit	15	14	13	12	11	10	9	8
Write	0	0	BOOSTTSD_M	BUCK1TSD_M	BUCK2TSD_M	BUCK3TSD_M	LDO1TSD_M	LDO2TSD_M
Read	RESERVED	RESERVED	BOOSTTSD_M	BUCK1TSD_M	BUCK2TSD_M	BUCK3TSD_M	LDO1TSD_M	LDO2TSD_M
Reset	0	0	0	0	0	0	0	0

Table 23. M_INT_MASK1 register bit description

Bit	Symbol	Description
22	VPREOC_M	Inhibit INTERRUPT for VPRE overcurrent
		0 INT not masked
		1 INT masked
		Reset condition: POR
20	BUCK1OC_M	Inhibit INTERRUPT for BUCK1 overcurrent
		0 INT not masked
		1 INT masked
		Reset condition: POR
19	BUCK2OC_M	Inhibit INTERRUPT for BUCK3 overcurrent
		0 INT not masked
		1 INT masked
		Reset condition: POR
18	BUCK3OC_M	Inhibit INTERRUPT for BUCK3 overcurrent
		0 INT not masked
		1 INT masked
		Reset condition: POR
17	LDO1OC_M	Inhibit INTERRUPT for LDO1 overcurrent
		0 INT not masked
		1 INT masked
		Reset condition: POR
16	LDO2OC_M	Inhibit INTERRUPT for LDO2 overcurrent
		0 INT not masked
		1 INT masked
		Reset condition: POR
13	BOOSTTSD_M	Inhibit INTERRUPT for BOOST overtemperature shutdown event
		0 INT not masked
		1 INT masked
		Reset condition: POR
12	BUCK1TSD_M	Inhibit INTERRUPT for BUCK1 overtemperature shutdown event
		0 INT not masked
		1 INT masked
		Reset condition: POR

Bit	Symbol	Description
11	BUCK2TSD_M	Inhibit INTERRUPT for BUCK2 overtemperature shutdown event
		0 INT not masked
		1 INT masked
		Reset condition: POR
10	BUCK3TSD_M	Inhibit INTERRUPT for BUCK3 overtemperature shutdown event
		0 INT not masked
		1 INT masked
		Reset condition: POR
9	LDO1TSD_M	Inhibit INTERRUPT for LDO1 overtemperature shutdown event
		0 INT not masked
		1 INT masked
		Reset condition: POR
8	LDO2TSD_M	Inhibit INTERRUPT for LDO2 overtemperature shutdown event
		0 INT not masked
		1 INT masked
		Reset condition: POR

16.10 M_INT_MASK2 register

Table 24. M_INT_MASK2 register bit allocation

Bit	23	22	21	20	19	18	17	16
Write	0	0	0	0	VBOOSTOV_M	VBOSUVH_M	COM_M	VPRE_FB_OV_M
Read	RESERVED	RESERVED	RESERVED	RESERVED	VBOOSTOV_M	VBOSUVH_M	COM_M	VPRE_FB_OV_M
Reset	0	0	0	0	0	0	0	0

Bit	15	14	13	12	11	10	9	8
Write	VBOOST_UVH_M	VSUPUV7_M	0	VPREUVH_M	VSUPUVL_M	VSUPUVH_M	WAKE1_M	WAKE2_M
Read	VBOOST_UVH_M	VSUPUV7_M	RESERVED	VPREUVH_M	VSUPUVL_M	VSUPUVH_M	WAKE1_M	WAKE2_M
Reset	0	0	0	0	0	0	0	0

Table 25. M_INT_MASK2 register bit description

Bit	Symbol	Description
19	VBOOSTOV_M	Inhibit INTERRUPT for VBOOST_OV any transition
		0 INT not masked
		1 INT masked
		Reset condition: POR

Bit	Symbol	Description
18	VBOSUVH_M	Inhibit INTERRUPT for VBOS_UVH any transition
		0 INT not masked
		1 INT masked
		Reset condition: POR
17	COM_M	Inhibit INTERRUPT for COM any transition
		0 INT not masked
		1 INT masked
		Reset condition: POR
16	VPRE_FB_OV_M	Inhibit INTERRUPT for VPRE_FB_OV
		0 INT not masked
		1 INT masked
		Reset condition: POR
15	VBOOSTUVH_M	Inhibit INTERRUPT for VBOOST_UVH
		0 INT not masked
		1 INT masked
		Reset condition: POR
14	VSUPUV7_M	Inhibit INTERRUPT for VSUP_UV7
		0 INT not masked
		1 INT masked
		Reset condition: POR
12	VREUVH_M	Inhibit INTERRUPT for VSUP_UVH
		0 INT not masked
		1 INT masked
		Reset condition: POR
11	VSUPUVL_M	Inhibit INTERRUPT for VSUP_UVL
		0 INT not masked
		1 INT masked
		Reset condition: POR
10	VSUPUVH_M	Inhibit INTERRUPT for VPRE_UVH
		0 INT not masked
		1 INT masked
		Reset condition: POR
9	WAKE1_M	Inhibit INTERRUPT for WAKE1 any transition
		0 INT not masked
		1 INT masked
		Reset condition: POR
8	WAKE2_M	Inhibit INTERRUPT for WAKE2 any transition
		0 INT not masked
		1 INT masked
		Reset condition: POR

16.11 M_FLAG1 register

When device starts-up, it is recommended to clear all the flags by writing 1 on all bits.

Table 26. M_FLAG1 register bit allocation

Bit	23	22	21	20	19	18	17	16
Write	VBOSUVH	VBOO STUVH	VPREOC	BUCK1OC	BUCK2OC	BUCK3OC	LDO1OC	LDO2OC
Read	VBOSUVH	VBOO STUVH	VPREOC	BUCK1OC	BUCK2OC	BUCK3OC	LDO1OC	LDO2OC
Reset	1	1	0	0	0	0	0	0

Bit	15	14	13	12	11	10	9	8
Write	0	VBOOSTOV	VBOOSTOT	BUCK1OT	BUCK2OT	BUCK3OT	LDO1OT	LDO2OT
Read	CLK_FIN_ DIV_OK	VBOOSTOV	VBOOSTOT	BUCK1OT	BUCK2OT	BUCK3OT	LDO1OT	LDO2OT
Reset	0	0	0	0	0	0	0	0

Table 27. M_FLAG1 register bit description

Bit	Symbol	Description
23	VBOSUVH	VBOS undervoltage high event (falling)
		0 No event
		1 Event occurred
		Reset condition: POR / Clear on Write (write '1')
22	VBOOSTUVH	VBOOST undervoltage high event (falling)
		0 No event
		1 Event occurred
		Reset condition: POR / Clear on Write (write '1')
21	VPREOC	VPRE overcurrent event
		0 No event
		1 Event occurred
		Reset condition: POR / Clear on Write (write '1')
20	BUCK1OC	BUCK1 overcurrent event
		0 No event
		1 Event occurred
		Reset condition: POR / Clear on Write (write '1')
19	BUCK2OC	BUCK3 overcurrent event
		0 No event
		1 Event occurred
		Reset condition: POR / Clear on Write (write '1')
18	BUCK3OC	BUCK3 overcurrent
		0 No event
		1 Event occurred
		Reset condition: POR / Clear on Write (write '1')

Bit	Symbol	Description
17	LDO1OC	LDO2 overcurrent
		0 No event
		1 Event occurred
		Reset condition: POR / Clear on Write (write '1')
16	LDO2OC	LDO1 overcurrent
		0 No event
		1 Event occurred
		Reset condition: POR / Clear on Write (write '1')
15	CLK_FIN_DIV_OK	CLK_FIN_DIV monitoring
		0 Not OK: $FIN_{ERR_LONG} < CLK_FIN_DIV \text{ deviation} < FIN_{ERR_SHORT}$
		1 OK: $FIN_{ERR_SHORT} < CLK_FIN_DIV \text{ deviation} < FIN_{ERR_LONG}$
		Reset condition: Real time information
14	VBOOSTOV	VBOOST overvoltage protection event
		0 No event
		1 Event occurred
		Reset condition: POR / Clear on Write (write '1')
13	VBOOSTOT	VBOOST overtemperature shutdown event
		0 No event
		1 Event occurred
		Reset condition: POR / Clear on Write (write '1')
12	BUCK1OT	BUCK1 overtemperature shutdown event
		0 No event
		1 Event occurred
		Reset condition: POR / Clear on Write (write '1')
11	BUCK2OT	BUCK2 overtemperature shutdown event
		0 No event
		1 Event occurred
		Reset condition: POR / Clear on Write (write '1')
10	BUCK3OT	BUCK3 overtemperature shutdown event
		0 No event
		1 Event occurred
		Reset condition: POR / Clear on Write (write '1')
9	LDO1OT	LDO1 overtemperature shutdown event
		0 No event
		1 Event occurred
		Reset condition: POR / Clear on Write (write '1')
8	LDO2OT	LDO2 overtemperature shutdown event
		0 No event
		1 Event occurred
		Reset condition: POR / Clear on Write (write '1')

16.12 M_FLAG2 register

When device starts-up, it is recommended to clear all the flags by writing 1 on all bits.

Table 28. M_FLAG2 register bit allocation

Bit	23	22	21	20	19	18	17	16
Write	VPRE_FB_OV	VSUPUV7	0	0	0	0	0	0
Read	VPRE_FB_OV	VSUPUV7	BOOST_ST	BUCK1_ST	BUCK2_ST	BUCK3_ST	LDO1_ST	LDO2_ST
Reset	0	1	1	1	1	1	1	1

Bit	15	14	13	12	11	10	9	8
Write	VPREUVL	VPREUVH	VSUPUVL	VSUPUVH	0	0	WK2FLG	WK1FLG
Read	VPREUVL	VPREUVH	VSUPUVL	VSUPUVH	WK2RT	WK1RT	WK2FLG	WK1FLG
Reset	1	1	1	1	0	1	0	1

Note: Reset value for VR5500, wake up by Wake1, all regulators started by default during power-up sequence.

Table 29. M_FLAG2 register bit description

Bit	Symbol	Description
23	VPRE_FB_OV	VPRE_FB_OV event
		0 No event
		1 Event occurred
		Reset condition: POR / Clear on Write (write '1')
22	VSUPUV7	VSUP_UV7 event
		0 No event
		1 Event occurred
		Reset condition: POR / Clear on Write (write '1')
21	BOOST_ST	BOOST state
		0 Regulator OFF
		1 Regulator ON
		Reset condition: Real-time information
20	BUCK1_ST	BUCK1 state
		0 Regulator OFF
		1 Regulator ON
		Reset condition: Real-time information
19	BUCK2_ST	BUCK2 state
		0 Regulator OFF
		1 Regulator ON
		Reset condition: Real-time information
18	BUCK3_ST	BUCK3 state
		0 Regulator OFF
		1 Regulator ON
		Reset condition: Real-time information

Bit	Symbol	Description
17	LDO1_ST	LDO1 state
		0 regulator OFF
		1 regulator ON
		Reset condition: Real-time information
16	LDO2_ST	LDO2 state
		0 regulator OFF
		1 regulator ON
		Reset condition: Real-time information
15	VPREUVL	VPRE_UVL event
		0 No event
		1 Event occurred
		Reset condition: POR / Clear on Write (write '1')
14	VPREUVH	VPRE_UVH event
		0 No event
		1 Event occurred
		Reset condition: POR / Clear on Write (write '1')
13	VSUPUVL	VSUP_UVL event
		0 No event
		1 Event occurred
		Reset condition: POR / Clear on Write (write '1')
12	VSUPUVH	VSUP_UVH event
		0 No event
		1 Event occurred
		Reset condition: POR / Clear on Write (write '1')
11	WK2RT	Report event: WAKE2 real-time state
		0 WAKE2 is low level
		1 WAKE2 is high
		Reset condition: Real-time information
10	WK1RT	Report event: WAKE1 real-time state
		0 WAKE1 is low level
		1 WAKE1 is high
		Reset condition: Real-time information
9	WK2FLG	WAKE2 wake up source flag
		0 No event
		1 Event occurred
		Reset condition: POR / Clear on Write (write '1')
8	WK1FLG	WAKE1 wake up source flag
		0 No event
		1 Event occurred
		Reset condition: POR / Clear on Write (write '1')

16.13 M_VMON_REG1 register

Table 30. M_VMON_REG1 register bit allocation

Bit	23	22	21	20	19	18	17	16
Write	0	0	0	0	0	0	0	0
Read	RESERVED	RESERVED	RESERVED	RESERVED	RESERVED	RESERVED	RESERVED	RESERVED
Reset	0	0	0	0	0	0	0	0

Bit	15	14	13	12	11	10	9	8
Write	0	0	0	0	0	VMON1_REG[2:0]		
Read	RESERVED	RESERVED	RESERVED	RESERVED	RESERVED	VMON1_REG[2:0]		
Reset	0	0	0	0	0	0	0	0

Table 31. M_VMON_REG1 register bit description

Bit	Symbol	Description
10 to 8	VMON1_REG[2:0]	Regulator assignment to VMON1
		000 External regulator
		001 VPRE
		010 LDO1
		011 LDO2
		100 BUCK2
		101 BUCK3
		11x External regulator
		Reset condition: POR

16.14 M_LVB1_SVS register

Table 32. M_LVB1_SVS register bit allocation

Bit	23	22	21	20	19	18	17	16
Read	RESERVED	RESERVED	RESERVED	RESERVED	RESERVED	RESERVED	RESERVED	RESERVED
Reset	0	0	0	0	0	0	0	0

Bit	15	14	13	12	11	10	9	8
Read	RESERVED	RESERVED	RESERVED	LVB1_SVS[4:0]				
Reset	0	0	0	0	0	0	0	0

Table 33. M_LVB1_SVS register bit description

Bit	Symbol	Description
12 to 8	LVB1_SVS[4:0]	Static voltage scaling negative offset
		00000 0 mV
		00001 -6.25 mV
		00010 -12.50 mV
		00011 -18.75 mV
		00100 -25 mV
		00101 -31.25 mV
		00110 -37.5 mV
		00111 -43.75 mV
		01000 -50 mV
		01001 -56.25 mV
		01010 -62.5 mV
		01011 -68.75 mV
		01100 -75 mV
		01101 -81.25 mV
		01110 -87.5 mV
		01111 -93.75 mV
		10000 -100 mV
		Reset condition: POR

16.15 M_MEMORY0 register

Table 34. M_MEMORY0 register bit allocation

Bit	23	22	21	20	19	18	17	16
Write	MEMORY0[15:8]							
Read	MEMORY0[15:8]							
Reset	0	0	0	0	0	0	0	0

Bit	15	14	13	12	11	10	9	8
Write	MEMORY0[7:0]							
Read	MEMORY0[7:0]							
Reset	0	0	0	0	0	0	0	0

Table 35. M_MEMORY0 register bit description

Bit	Symbol	Description
23 to 8	MEMORY0[15:0]	Free memory field for data storage
		0... 16 bits free memory
		...1
		Reset condition: POR

16.16 M_MEMORY1 register

Table 36. M_MEMORY1 register bit allocation

Bit	23	22	21	20	19	18	17	16
Write	MEMORY1[15:0]							
Read	MEMORY1[15:0]							
Reset	0	0	0	0	0	0	0	0

Bit	15	14	13	12	11	10	9	8
Write	MEMORY1[15:0]							
Read	MEMORY1[15:0]							
Reset	0	0	0	0	0	0	0	0

Table 37. M_MEMORY1 register bit description

Bit	Symbol	Description
23 to 8	MEMORY1[15:0]	Free memory field for data storage 0... 16 bits free memory ...1 Reset condition: POR

16.17 M_DEVICEID register

Table 38. M_DEVICEID register bit allocation

Bit	23	22	21	20	19	18	17	16
Read	FMREV[3:0]				MMREV[3:0]			
Reset	0	0	1	1	0	0	0	0

Bit	15	14	13	12	11	10	9	8
Read	DEVICEID[7:0]							
Reset	0	0	0	0	0	0	0	0

Table 39. M_DEVICEID register bit description

Bit	Symbol	Description
23 to 20	FMREV[3:0]	Full mask revision Full mask revision configured by metal connection Reset condition: POR
19 to 16	MMREV[3:0]	Metal Mask Revision Metal mask revision configured by metal connection Reset condition: POR
15 to 8	DEVICEID[7:0]	Device ID x...x Device ID from OTP_DEVICEID[7:0] bits Reset condition: POR

17 Fail-safe register mapping

17.1 Fail-safe writing registers overview

Table 40. Fail-safe writing registers overview

Logic	Register name	bit 23	bit 22	bit 21	bit 20	bit 19	bit 18	bit 17	bit 16	
		bit 15	bit 14	bit 13	bit 12	bit 11	bit 10	bit 9	bit 8	
Fail-safe	FS_I_OVUV_SAFE_REACTION1	VCOREMON_OV_FS_IMPACT[1:0]		VCOREMON_UV_FS_IMPACT[1:0]		0	RESERVED	RESERVED	RESERVED	
		RESERVED	RESERVED	RESERVED	0	VDDIO_OV_FS_IMPACT[1:0]		VDDIO_UV_FS_IMPACT[1:0]		
	FS_I_OVUV_SAFE_REACTION2	RESERVED	RESERVED	RESERVED	RESERVED	RESERVED	RESERVED	RESERVED	RESERVED	
		RESERVED	RESERVED	RESERVED	RESERVED	VMON1_OV_FS_IMPACT[1:0]		VMON1_UV_FS_IMPACT[1:0]		
	FS_I_FSSM	FLT_ERR_CNT_LIMIT[1:0]		0	RESERVED	RESERVED	0	RSTB_DUR	0	
		RESERVED	0	RESERVED	DIS_8s	0	0	0	0	
	FS_I_SVS	SVS_OFFSET[4:0]						0	0	0
		0	0	0	0	0	0	0	0	
	FS_OVUVREG_STATUS	VCOREMON_OV	VCOREMON_UV	VDDIO_OV	VDDIO_UV	RESERVED	RESERVED	RESERVED	RESERVED	
		RESERVED	RESERVED	VMON1_OV	VMON1_UV	0	FS_DIG_REF_OV	FS_OSC_DRIFT	0	
	FS_SAFE_IOS	PGOOD_DIAG	PGOOD_EVENT	0	EXT_RSTB	0	0	RSTB_EVENT	RSTB_DIAG	
		RSTB_REQ	0	0	0	0	0	0	0	
	FS_DIAG	RESERVED	RESERVED	RESERVED	RESERVED	RESERVED	RESERVED	RESERVED	RESERVED	
		RESERVED	RESERVED	RESERVED	RESERVED	RESERVED	I2C_FS_CRC	I2C_FS_REQ	RESERVED	
	FS_INTB_MASK	0	0	0	0	0	0	RESERVED	RESERVED	
		RESERVED	INT_INH_VMON1_OV_UV	INT_INH_VDDIO_OV_UV	INT_INH_VCOREMON_OV_UV	RESERVED	RESERVED	RESERVED	RESERVED	
FS_STATES	0	DBG_EXIT	0	0	OTP_CORRUPT	0	REG_CORRUPT	0		
	0	0	0	0	0	0	0	0		

17.2 Fail-safe reading registers overview

Table 41. Fail-safe reading registers overview

Logic	Register name	bit 23	bit 22	bit 21	bit 20	bit 19	bit 18	bit 17	bit 16
		bit 15	bit 14	bit 13	bit 12	bit 11	bit 10	bit 9	bit 8
Fail-safe	FS_GRL_FLAGS	FS_COM_G	RESERVED	FS_IO_G	FS_REG_OVUV_G	RESERVED	RESERVED	RESERVED	RESERVED
		RESERVED	RESERVED	RESERVED	RESERVED	RESERVED	RESERVED	RESERVED	RESERVED
	FS_I_OVUV_SAFE_REACTION1	VCOREMON_OV_FS_IMPACT[1:0]		VCOREMON_UV_FS_IMPACT[1:0]		RESERVED	RESERVED	RESERVED	RESERVED
		RESERVED	RESERVED	RESERVED	RESERVED	VDDIO_OV_FS_IMPACT[1:0]		VDDIO_UV_FS_IMPACT[1:0]	
	FS_I_OVUV_SAFE_REACTION2	RESERVED	RESERVED	RESERVED	RESERVED	RESERVED	RESERVED	RESERVED	RESERVED
		RESERVED	RESERVED	RESERVED	RESERVED	VMON1_OV_FS_IMPACT[1:0]		VMON1_UV_FS_IMPACT[1:0]	
	FS_I_FSSM	FLT_ERR_CNT_LIMIT[1:0]		RESERVED	RESERVED	RESERVED	RESERVED	RSTB_DUR	RESERVED
		RESERVED	RESERVED	RESERVED	DIS_8s	FLT_ERR_CNT[3:0]			
	FS_I_SVS	SVS_OFFSET[4:0]					RESERVED	RESERVED	RESERVED
		RESERVED	RESERVED	RESERVED	RESERVED	RESERVED	RESERVED	RESERVED	RESERVED
	FS_OVUVREG_STATUS	VCOREMON_OV	VCOREMON_UV	VDDIO_OV	VDDIO_UV	RESERVED	RESERVED	RESERVED	RESERVED
		RESERVED	RESERVED	VMON1_OV	VMON1_UV	RESERVED	FS_DIG_REF_OV	FS_OSC_DRIFT	RESERVED
	FS_SAFE_IOS	PGOOD_DIAG	PGOOD_EVENT	PGOOD_SNS	EXT_RSTB	RSTB_DRV	RSTB_SNS	RSTB_EVENT	RSTB_DIAG
		RESERVED	RESERVED	RESERVED	RESERVED	RESERVED	RESERVED	RESERVED	RESERVED
	FS_DIAG	RESERVED	RESERVED	RESERVED	RESERVED	ERRMON	RESERVED	RESERVED	RESERVED
		RESERVED	RESERVED	RESERVED	RESERVED	RESERVED	I2C_FS_CRC	I2C_FS_REQ	RESERVED
	FS_INTB_MASK	RESERVED	RESERVED	RESERVED	RESERVED	RESERVED	RESERVED	RESERVED	RESERVED
		RESERVED	INT_INH_VMOM1_OV_UV	INT_INH_VDDIO_OV_UV	INT_INH_VCOREMON_OV_UV	RESERVED	RESERVED	RESERVED	RESERVED
	FS_STATES	RESERVED	RESERVED	DBG_MODE	RESERVED	OTP_CORRUPT	RESERVED	REG_CORRUPT	RESERVED
		RESERVED	RESERVED	RESERVED	FSM_STATE[4:0]				

17.3 FS_GRL_FLAGS register

Table 42. FS_GRL_FLAGS register bit allocation

Bit	23	22	21	20	19	18	17	16
Read	FS_COM_G	RESERVED	FS_IO_G	FS_REG_OVUV_G	RESERVED	RESERVED	RESERVED	RESERVED
Reset	0	0	0	1	0	0	0	0

Bit	15	14	13	12	11	10	9	8
Read	RESERVED	RESERVED	RESERVED	RESERVED	RESERVED	RESERVED	RESERVED	RESERVED
Reset	0	0	0	0	0	0	0	0

Table 43. FS_GRL_FLAGS register bit description

Bit	Symbol	Description
23	FS_COM_G	Report an issue in the communication (I2C) FS_COM_G = I2C_FS_CRC or I2C_FS_REQ
		0 No failure
		1 Failure
		Reset condition: Real time information - cleared when all individual bits are cleared
21	FS_IO_G	Report an issue in one of the fail-safe IOs FS_IO_G = PGOOD_DIAG or RSTB_DIAG
		0 No failure
		1 Failure
		Reset condition: real time information - cleared when all individual bits are cleared
20	FS_REG_OVUV_G	Report an issue in one of the voltage monitoring (OV or UV) FS_REG_OVUV_G = VCOREMON_OV or VCOREMON_UV or VDDIO_OV or VDDIO_UV or VMON1_OV or VMON1_UV
		0 No failure
		1 Failure
		Reset condition: real time information - cleared when all individual bits are cleared

17.4 FS_I_OVUV_SAFE_REACTION1 register

Table 44. FS_I_OVUV_SAFE_REACTION1 register bit allocation

Bit	23	22	21	20	19	18	17	16
Write	VCOREMON_OV_FS_IMPACT[1:0]		VCOREMON_UV_FS_IMPACT[1:0]		0	RESERVED	RESERVED	RESERVED
Read	VCOREMON_OV_FS_IMPACT[1:0]		VCOREMON_UV_FS_IMPACT[1:0]		RESERVED	RESERVED	RESERVED	RESERVED
Reset	1	1	0	1	0	0	0	0

Bit	15	14	13	12	11	10	9	8
Write	RESERVED	RESERVED	RESERVED	0	VDDIO_OV_FS_IMPACT[1:0]		VDDIO_UV_FS_IMPACT[1:0]	
Read	RESERVED	RESERVED	RESERVED	RESERVED	VDDIO_OV_FS_IMPACT[1:0]		VDDIO_UV_FS_IMPACT[1:0]	
Reset	0	0	0	0	1	1	0	1

Table 45. FS_I_OVUV_SAFE_REACTION1 register bit description

Bit	Symbol	Description
23 to 22	VCOREMON_OV_FS_IMPACT[1:0]	Table 87
21 to 20	VCOREMON_UV_FS_IMPACT[1:0]	Table 87
11 to 10	VDDIO_OV_FS_IMPACT[1:0]	Table 90
9 to 8	VDDIO_UV_FS_IMPACT[1:0]	Table 90

17.5 FS_I_OVUV_SAFE_REACTION2 register

Table 46. FS_I_OVUV_SAFE_REACTION2 register bit allocation

Bit	23	22	21	20	19	18	17	16
Write	RESERVED	RESERVED	RESERVED	RESERVED	RESERVED	RESERVED	RESERVED	RESERVED
Read	RESERVED	RESERVED	RESERVED	RESERVED	RESERVED	RESERVED	RESERVED	RESERVED
Reset	1	1	0	1	1	1	0	1

Bit	15	14	13	12	11	10	9	8
Write	RESERVED	RESERVED	RESERVED	RESERVED	VMON1_OV_FS_IMPACT[1:0]		VMON1_UV_FS_IMPACT[1:0]	
Read	RESERVED	RESERVED	RESERVED	RESERVED	VMON1_OV_FS_IMPACT[1:0]		VMON1_UV_FS_IMPACT[1:0]	
Reset	1	1	0	1	1	1	0	1

Table 47. FS_I_OVUV_SAFE_REACTION2 register bit description

Bit	Symbol	Description
11 to 10	VMON1_OV_FS_IMPACT[1:0]	See Table 92
9 to 8	VMON1_UV_FS_IMPACT[1:0]	

17.6 FS_I_FSSM register

Table 48. FS_I_FSSM register bit allocation

Bit	23	22	21	20	19	18	17	16
Write	FLT_ERR_CNT_LIMIT[1:0]		0	RESERVED	RESERVED	0	RSTB_DUR	0
Read	FLT_ERR_CNT_LIMIT[1:0]		RESERVED	RESERVED	RESERVED	RESERVED	RSTB_DUR	RESERVED
Reset	0	1	0	1	0	0	0	0

Bit	15	14	13	12	11	10	9	8
Write	RESERVED	0	RESERVED	DIS_8s	0	0	0	0
Read	RESERVED	RESERVED	RESERVED	DIS_8s	FLT_ERR_CNT[3:0]			
Reset	1	0	0	0	0	0	0	1

Table 49. FS_I_FSSM register bit description

Bit	Symbol	Description
23 to 22	FLT_ERR_CNT_LIMIT[1:0]	See Table 95
17	RSTB_DUR	RSTB pulse duration configuration
		0 10 ms
		1 1.0 ms
		Reset condition: POR

Bit	Symbol	Description
12	DIS_8s	Disable 8 s timer
		0 RSTB low 8 s counter enabled
		1 RSTB low 8 s counter disabled
		Reset condition: POR
11 to 8	FLT_ERR_CNT[3:0]	Reflect the value of the fault error counter
		0000 0
		0001 1
		0010 2
		0011 3
		0100 4
		0101 5
		0110 6
		0111 7
		1000 8
		1001 9
		1010 10
		1011 11
		1100 12
Reset condition: Real time information		

17.7 FS_I_SVS register

Table 50. FS_I_SVS register bit allocation

Bit	23	22	21	20	19	18	17	16
Write	SVS_OFFSET[4:0]					0	0	0
Read	SVS_OFFSET[4:0]					RESERVED	RESERVED	RESERVED
Reset	0	0	0	0	0	0	0	0

Bit	15	14	13	12	11	10	9	8
Write	0	0	0	0	0	0	0	0
Read	RESERVED	RESERVED	RESERVED	RESERVED	RESERVED	RESERVED	RESERVED	RESERVED
Reset	0	0	0	0	0	0	0	0

Table 51. FS_I_SVS register bit description

Bit	Symbol	Description
23 to 19	SVS_OFFSET[4:0]	Static voltage scaling negative offset
		0 0000 0 mV
		0 0001 -6.25 mV
		0 0010 -12.50 mV
		0 0011 -18.75 mV
		0 0100 -25 mV
		0 0101 -31.25 mV
		0 0110 -37.5 mV
		0 0111 -43.75 mV
		0 1000 -50 mV
		0 1001 -56.25 mV
		0 1010 -62.5 mV
		0 1011 -68.75 mV
		0 1100 -75 mV
		0 1101 -81.25 mV
		0 1110 -87.5 mV
		0 1111 -93.75 mV
1 0000 -100 mV		
		Reset condition: POR

17.8 FS_OVUVREG_STATUS register

Table 52. FS_OVUVREG_STATUS register bit allocation

Bit	23	22	21	20	19	18	17	16
Write	VCOREMON_OV	VCOREMON_UV	VDDIO_OV	VDDIO_UV	RESERVED	RESERVED	RESERVED	RESERVED
Read	VCOREMON_OV	VCOREMON_UV	VDDIO_OV	VDDIO_UV	RESERVED	RESERVED	RESERVED	RESERVED
Reset	0	1	0	1	0	1	0	1

Bit	15	14	13	12	11	10	9	8
Write	RESERVED	RESERVED	VMON1_OV	VMON1_UV	0	FS_DIG_REF_OV	FS_OSC_DRIFT	0
Read	RESERVED	RESERVED	VMON1_OV	VMON1_UV	RESERVED	FS_DIG_REF_OV	FS_OSC_DRIFT	RESERVED
Reset	0	1	0	1	0	0	0	0

Table 53. FS_OVUVREG_STATUS register bit description

Bit	Symbol	Description
23	VCOREMON_OV	Overvoltage monitoring on VCOREMON
		0 No overvoltage
		1 Overvoltage reported on VCOREMON
		Reset condition: POR / clear on write (write '1')
22	VCOREMON_UV	Undervoltage monitoring on VCOREMON
		0 No undervoltage
		1 Undervoltage reported on VCOREMON
		Reset condition: POR / clear on write (write '1')
21	VDDIO_OV	Overvoltage monitoring on VDDIO
		0 No overvoltage
		1 Overvoltage reported on VDDIO
		Reset POR / clear on write (write '1') condition
20	VDDIO_UV	Undervoltage monitoring on VDDIO
		0 No undervoltage
		1 Undervoltage reported on VDDIO
		Reset condition: POR / clear on write (write '1')
13	VMON1_OV	Overvoltage monitoring on VMON1
		0 No overvoltage
		1 Overvoltage reported on VMON1
		Reset condition: POR / clear on write (write '1')
12	VMON1_UV	Undervoltage monitoring on VMON1
		0 No undervoltage
		1 Undervoltage reported on VMON1
		Reset condition: POR / clear on write (write '1')
9	FS_DIG_REF_OV	Overvoltage of the internal digital fail-safe reference voltage
		0 No overvoltage
		1 Overvoltage reported of the internal digital fail-safe reference voltage
		Reset condition: POR / clear on write (write '1')
8	FS_OSC_DRIFT	Drift of the fail-safe OSC
		0 No drift
		1 Oscillator drift
		Reset condition: POR / clear on write (write '1')

17.9 FS_SAFE_IOS register

Table 54. FS_SAFE_IOS register bit allocation

Bit	23	22	21	20	19	18	17	16
Write	PGOOD_DIAG	PGOOD_EVENT	0	EXT_RSTB	0	0	RSTB_EVENT	RSTB_DIAG
Read	PGOOD_DIAG	PGOOD_EVENT	PGOOD_SNS	EXT_RSTB	RSTB_DRV	RSTB_SNS	RSTB_EVENT	RSTB_DIAG
Reset	0	1	0	0	0	0	1	0

Bit	15	14	13	12	11	10	9	8
Write	RSTB_REQ	0	0	0	0	0	0	0
Read	RESERVED	RESERVED	RESERVED	RESERVED	RESERVED	RESERVED	RESERVED	RESERVED
Reset	0	0	0	0	0	0	0	0

Table 55. FS_SAFE_IOS register bit description

Bit	Symbol	Description
23	PGOOD_DIAG	Report a PGOOD Short to High
		0 No failure
		1 Short circuit HIGH
		Reset condition: POR / clear on write (write '1')
22	PGOOD_EVENT	Report a Power GOOD event
		0 No Power GOOD
		1 Power GOOD event occurred
		Reset condition: POR / clear on write (write '1')
21	PGOOD_SNS	Sense of PGOOD pad
		0 PGOOD pad sensed low
		1 PGOOD pad sensed high
		Reset condition: Real-time information
20	EXT_RSTB	Report an external RESET
		0 No external RESET
		1 External RESET
		Reset condition: POR / clear on write (write '1')
19	RSTB_DRV	RSTB driver – digital command
		0 RSTB driver command sensed low
		1 RSTB driver command sensed high
		Reset condition: Real-time information
18	RSTB_SNS	Sense of RSTB pad
		0 RSTB pad sensed low
		1 RSTB pad sensed high
		Reset condition: Real-time information

Bit	Symbol	Description
17	RSTB_EVENT	Report a RSTB event
		0 No RESET
		1 RESET occurred
		Reset condition: POR / clear on write (write '1')
16	RSTB_DIAG	Report a RSTB short to high
		0 No failure
		1 Short circuit high
		Reset condition: POR / clear on write (write '1')
15	RSTB_REQ	Request assertion of RSTB (Pulse)
		0 No assertion
		1 RSTB assertion (pulse)
		Reset condition: POR

17.10 FS_DIAG register

Table 56. FS_DIAG register bit allocation

Bit	23	22	21	20	19	18	17	16
Write	RESERVED	RESERVED	RESERVED	RESERVED	RESERVED	RESERVED	RESERVED	RESERVED
Read	RESERVED	RESERVED	RESERVED	RESERVED	RESERVED	RESERVED	RESERVED	RESERVED
Reset	0	0	0	0	0	0	0	0

Bit	15	14	13	12	11	10	9	8
Write	RESERVED	RESERVED	RESERVED	RESERVED	RESERVED	I2C_FS_CRC	I2C_FS_REQ	RESERVED
Read	RESERVED	RESERVED	RESERVED	RESERVED	RESERVED	I2C_FS_CRC	I2C_FS_REQ	RESERVED
Reset	1	0	0	0	0	0	0	1

Table 57. FS_DIAG register bit description

Bit	Symbol	Description
10	I2C_FS_CRC	Invalid fail-safe I2C access (wrong write or read, write to INIT registers in normal mode, wrong address)
		0 No error
		1 I2C violation
		Reset condition: POR / clear on write (write '1')
9	I2C_FS_REQ	Fail-safe I2C communication CRC issue
		0 No error
		1 Error detected in the CRC
		Reset condition: POR / clear on write (write '1')

17.11 FS_INTB_MASK register

Table 58. FS_INTB_MASK register bit allocation

Bit	23	22	21	20	19	18	17	16
Write	0	0	0	0	0	0	RESERVED	RESERVED
Read	RESERVED	RESERVED	RESERVED	RESERVED	RESERVED	RESERVED	RESERVED	RESERVED
Reset	0	0	0	0	0	0	0	0

Bit	15	14	13	12	11	10	9	8
Write	RESERVED	INT_INH_VMON1_OV_UV	INT_INH_VDDIO_OV_UV	INT_INH_VCOREMON_OV_UV	RESERVED	RESERVED	RESERVED	RESERVED
Read	RESERVED	INT_INH_VMON1_OV_UV	INT_INH_VDDIO_OV_UV	INT_INH_VCOREMON_OV_UV	RESERVED	RESERVED	RESERVED	RESERVED
Reset	0	0	0	0	0	0	0	0

Table 59. FS_INTB_MASK register bit description

Bit	Symbol	Description
14	INT_INH_VMON1_OV_UV	Inhibit INTERRUPT on VMON1 OV and UV event
		0 Interrupt NOT MASKED
		1 Interrupt MASKED
		Reset condition: POR
13	INT_INH_VDDIO_OV_UV	Inhibit INTERRUPT on VDDIO OV and UV event
		0 Interrupt NOT MASKED
		1 Interrupt MASKED
		Reset condition: POR
12	INT_INH_VCOREMON_OV_UV	Inhibit INTERRUPT on VCOREMON OV and UV event
		0 Interrupt NOT MASKED
		1 Interrupt MASKED
		Reset condition: POR

17.12 FS_STATES register

Table 60. FS_STATES register bit allocation

Bit	23	22	21	20	19	18	17	16
Write	0	DBG_EXIT	0	0	OTP_CORRUPT	0	REG_CORRUPT	0
Read	RESERVED	RESERVED	DBG_MODE	RESERVED	OTP_CORRUPT	RESERVED	REG_CORRUPT	RESERVED
Reset	0	0	0	0	0	0	0	0

Bit	15	14	13	12	11	10	9	8
Write	0	0	0	0	0	0	0	0
Read	RESERVED	RESERVED	RESERVED	FSM_STATE[4:0]				
Reset	0	0	0	0	0	1	1	0

Table 61. FS_STATES register bit description

Bit	Symbol	Description
22	DBG_EXIT	Leave DEBUG mode
		0 No action
		1 Leave DEBUG mode
		Reset condition: POR
21	DBG_MODE	DEBUG mode status
		0 NOT in DEBUG mode
		1 In DEBUG mode
		Reset condition: Real-time information
19	OTP_CORRUPT	OTP bits corruption detection (5 ms cyclic check)
		0 No error
		1 OTP CRC error detected
		Reset condition: POR / clear on write (write '1')
16 7	REG_CORRUPT	INIT register corruption detection (real-time comparison)
		0 No error
		1 INIT register content error detected (mismatch between FS_I_Register / FS_I_NOT_Register)
		Reset condition: POR / clear on write (write '1')
12 to 8	FSM_STATE[4:0]	Report fail-safe state machine current state
		0 0110 INIT_FS
		Reset condition: Real-time information

18 OTP bits configuration

18.1 Overview

Table 62. Main OTP_REGISTERS

Legend: **bold** — Regulator behavior in case of TSD, VPRE, and VBOOST slew rate parameters can be changed later by I2C.

Name	Address	BIT7	BIT6	BIT5	BIT4	BIT3	BIT2	BIT1	BIT0	
OTP_CFG_VPRE_1	14	0	0	VPREV[5:0]						
OTP_CFG_VPRE_2	15	0	0	VPRESC[5:0]						
OTP_CFG_VPRE_3	16	VPREILIM[1:0]		1	0	1	1	VPRESRHS[1:0]		
OTP_CFG_BOOST_1	17	0	0	VPRE_MODE	0	VBSTV[3:0]				
OTP_CFG_BOOST_2	18	BOOSTEN	VBSTTONTIME[1:0]		VBSTSC[4:0]					
OTP_CFG_BOOST_3	19	0	0	0	0	0	1	VBSTSR[1:0]		
OTP_CFG_BUCK1_1	1A	VB1V[7:0]								
OTP_CFG_BUCK1_2	1B	0	0	0	VB1INDOPT[1:0]		VB1SWILIM[1:0]		VB12M ULTI PH	
OTP_CFG_BUCK2_1	1C	VB2V[7:0]								
OTP_CFG_BUCK2_2	1D	0	VB2INDOPT[1:0]		BUCK2EN	VB2SWILIM[1:0]		0	0	
OTP_CFG_BUCK3_1	1E	BUCK3EN	VB3INDOPT[1:0]		VB3V[4:0]					
OTP_CFG_BUCK3_2	1F	VB2GMCOMP[2:0]			VB1GMCOMP[2:0]			VB3SWILIM[1:0]		
OTP_CFG_LDO	20	LDO2ILIM	LDO2V[2:0]			LDO1ILIM	LDO1V[2:0]			
OTP_CFG_SEQ_1	21	0	0	VB2S[2:0]			VB1S[2:0]			
OTP_CFG_SEQ_2	22	0	0	LDO2S[2:0]			LDO1S[2:0]			
OTP_CFG_SEQ_3	23	DVS_BUCK12[1:0]		DVS_BUCK3[1:0]		Tslot	0	VB3S[2:0]		
OTP_CFG_CLOCK_1	24	0	0	VPRE_ph[2:0]			1	0	0	
OTP_CFG_CLOCK_2	25	0	0	BUCK1_ph[2:0]			VBST_ph[2:0]			
OTP_CFG_CLOCK_3	26	0	0	BUCK3_ph[2:0]			BUCK2_ph[2:0]			
OTP_CFG_CLOCK_4	27	BUCK3_clk_sel	BUCK2_clk_sel	BUCK1_clk_sel	VBST_clk_sel	VPRE_clk_sel	PLL_sel	0	1	
OTP_CFG_SM_1	28	0	0	conf_TSD[5:0]						
OTP_CFG_SM_2	29	0	0	0	VPRE_off_dly	1	1	PSYNC_CFG	PSYNC_EN	
OTP_CFG_VSUP_UV	2A	0	0	0	0	0	0	0	VSUPCFG	
OTP_CFG_I2C	2B	0	0	0	0	M_I2CDEVADDR[3:0]				
OTP_CFG_OV	2C	0	0	0	0	0	VDDIO_REG_ASSIGN[2:0]			
OTP_CFG_DEVID	2D	DeviceID[7:0]								

Table 63. Fail-safe OTP_REGISTERS

Name	Address	BIT7	BIT6	BIT5	BIT4	BIT3	BIT2	BIT1	BIT0	
OTP_CFG_UVOV_1	0A	VCORE_V[7:0]								
OTP_CFG_UVOV_2	0B	VDDIOOVTH[3:0]				VCOREOVTH[3:0]				
OTP_CFG_UVOV_3	0C	0	0	VDDIO_V	VCORE_SVS_CLAMP[4:0]					
OTP_CFG_UVOV_4	0D	0	0	0	0	VMON1OVTH[3:0]				
OTP_CFG_UVOV_5	0E	0	0	0	0	0	0	0	0	
OTP_CFG_UVOV_6	0F	VDDIOUVTH[3:0]				VCOREUVTH[3:0]				
OTP_CFG_UVOV_7	10	0	0	0	0	VMON1UVTH[3:0]				
OTP_CFG_UVOV_8	11	0	0	0	0	0	0	0	0	
OTP_CFG_PGOOD	12	0	PGOOD_RSTB	0	0	0	PGOOD_VMON1	PGOOD_VDDIO	PGOOD_VCORE	
OTP_CFG_ABIST1	13	0	0	0	0	0	0	0	0	
OTP_CFG_ASIL	14	1	0	0	0	0	0	0	VMON1_EN	
OTP_CFG_I2C	15	0	0	0	0	FS_I2CDEVADDR[3:0]				
OTP_CFG_DGLT_DUR_1	16	0	0	VCORE_UV_DGLT[1:0]		VCORE_OV_DGLT	VDDIO_UV_DGLT[1:0]		VDDIO_OV_DGLT	
OTP_CFG_DGLT_DUR_2	17	0	0	0	0	0	VMON1_UV_DGLT[1:0]		VMON1_OV_DGLT	

18.2 Main OTP bit description

Table 64. Main OTP bit description

Address	Register	Bit	Symbol	Value	Description
14	OTP_CFG_VPRE_1	5 to 0	VPREV[5:0]		VPRE output voltage
				00 1111	3.3 V
				01 0100	3.8 V
				01 0111	4.1 V
				10 0000	5.0 V
15	OTP_CFG_VPRE_2	5 to 0	VPRESC[5:0]		VPRE slope compensation
				00 0100	40 mV/μs
				00 0101	50 mV/μs
				00 0110	60 mV/μs
				00 0111	70 mV/μs
				00 1000	80 mV/μs
				00 1001	90 mV/μs
				00 1010	100 mV/μs
				00 1110	140 mV/μs
				01 0001	170 mV/μs
				01 0100	200 mV/μs
				01 1000	240 mV/μs

Address	Register	Bit	Symbol	Value	Description		
16	OTP_CFG_VPRE_3	7 to 6	VPREILIM[1:0]		VPRE current limitation threshold		
				00	50 mV		
				01	80 mV		
				10	120 mV		
		3 to 2	VPRESRLS[1:0]		VPRE low-side slew rate control		
				11	PU/PD/900 mA		
		1 to 0	VPRESRHS[1:0]		VPRE high-side slew rate control		
				00	PU/PD/130 mA		
				01	PU/PD/260 mA		
				10	PU/PD/520 mA		
		17	OTP_CFG_BOOST_1	5	VPRE_MODE		VPRE mode (PWM, APS)
						0	Force PWM for 455 kHz setting
3 to 0	VBSTV[3:0]			1	Automatic Pulse Skipping (APS) for 2.2 MHz setting		
					VBOOST output voltage		
				0110	5.0 V		
1101	5.74 V						
18	OTP_CFG_BOOST_2	7	BOOSTEN		BOOST enable		
				0	Disabled		
				1	Enabled		
		6 to 5	VBSTTONTIME[1:0]		BOOST minimum ON time		
				00	60 ns		
		4 to 0	VBSTSC[4:0]	01	50 ns		
					VBOOST slope compensation		
				0 0110	160 mV/μs		
				0 1100	125 mV/μs		
				0 1110	79 mV/μs		
19	OTP_CFG_BOOST_3	1 to 0	VBSTSR[1:0]		VBOOST low-side slew rate control		
				10	300 V/μs		
				11	500 V/μs		

Address	Register	Bit	Symbol	Value	Description
1A	OTP_CFG_BUCK1_1	7 to 0	VB1V[7:0]		VBUCK1 output voltage
				0100 0000	0.8 V
				0100 0100	0.825 V
				0101 0000	0.9 V
				0101 1000	0.95 V
				0110 0000	1.0 V
				01100100	1.025 V
				0110 0101	1.03125 V
				0111 0000	1.1 V
				1000 0000	1.2 V
				1000 1000	1.25 V
				1001 0000	1.3 V
				1001 1000	1.35 V
				1010 0000	1.4 V
1011 0000	1.5 V				
1011 0001	1.8 V				
1B	OTP_CFG_BUCK1_2	4 to 3	VB1INDOPT[1:0]		BUCK1 inductor selection
				00	1 μ H
				01	0.47 μ H
				10	1.5 μ H
		2 to 1	VB1SWILIM{1:0]		BUCK1 current limitation
				01	Reserved
				11	4.5 A
		0	VB12MULTIPH		VBUCK1 and VBUCK2 multiphase operation enable
				0	Disabled
				1	Enabled

Address	Register	Bit	Symbol	Value	Description
1C	OTP_CFG_BUCK2_1	7 to 0	VB2V[7:0]		VBUCK2 output voltage
				0100 0000	0.8 V
				0100 0100	0.825 V
				0101 0000	0.9 V
				0101 1000	0.95 V
				0110 0000	1.0 V
				01100100	1.025 V
				0110 0101	1.03125 V
				0111 0000	1.1 V
				1000 0000	1.2 V
				1000 1000	1.25 V
				1001 0000	1.3 V
				1001 1000	1.35 V
				1010 0000	1.4 V
1011 0000	1.5 V				
1011 0001	1.8 V				
1D	OTP_CFG_BUCK2_2	6 to 5	VB2INDOPT[1:0]		BUCK2 inductor selection
				00	1 μ H
				01	0.47 μ H
				10	1.5 μ H
		4	BUCK2EN		BUCK2 enable
				0	Disabled
				1	Enabled
		3 to 2	VB2SWILIM[1:0]		BUCK2 current limitation
				01	Reserved
				11	4.5 A

Address	Register	Bit	Symbol	Value	Description
1E	OTP_CFG_BUCK3_1	7	BUCK3EN		BUCK3 enable
				0	Disabled
				1	Enabled
		6 to 5	VB3INDOPT[1:0]		BUCK3 inductor selection
				00	1 μ H
				01	0.47 μ H
				10	1.5 μ H
		4 to 0	VB3V[4:0]		VBUCK3 output voltage
				0 0000	1.0 V
				0 0001	1.1 V
				0 0010	1.2 V
				0 0011	1.25 V
				0 0100	1.3 V
				0 0101	1.35 V
				0 0110	1.5 V
				0 0111	1.6 V
				0 1000	1.8 V
				0 1110	2.3 V
				1 0000	2.5 V
1 0001	2.8 V				
1 0101	3.3 V				
1F	OTP_CFG_BUCK3_2	7 to 5	VB2GMCOMP[2:0]		BUCK2 compensation network
				001	16.25 GM
				010	32.5 GM
				011	48.75 GM
				100	65 GM
				101	81.25 GM
				110	97.5 GM
		4 to 2	VB1GMCOMP[2:0]		BUCK1 compensation network
				001	16.25 GM
				010	32.5 GM
				011	48.75 GM
				100	65 GM
				101	81.25 GM
		1 to 0	VB3SWLIM[1:0]		BUCK3 current limitation
				01	2.6 A
			11	4.5 A	

Address	Register	Bit	Symbol	Value	Description		
20	OTP_CFG_LDO	7	LDO2ILIM		VLDO2 current limitation		
				0	400 mA		
				1	150 mA		
		6 to 4	LDO2V[2:0]				VLDO2 output voltage
				000			1.1 V
				001			1.2 V
				010			1.6 V
				011			1.8 V
				100			2.5 V
				101			2.8 V
				110			3.3 V
				111			5.0 V
				3	LDO1ILIM		
		0					400 mA
		1					150 mA
		2 to 0	LDO1V[2:0]				VLDO1 output voltage
				000			1.1 V
				001			1.2 V
				010			1.6 V
				011			1.8 V
100					2.5 V		
101					2.8 V		
110					3.3 V		
111			5.0 V				

Address	Register	Bit	Symbol	Value	Description
21	OTP_CFG_SEQ_1	5 to 3	VB2S[2:0]		BUCK2 sequencing slot
				000	Regulator start and stop in Slot 0
				001	Regulator start and stop in Slot 1
				010	Regulator start and stop in Slot 2
				011	Regulator start and stop in Slot 3
				100	Regulator start and stop in Slot 4
				101	Regulator start and stop in Slot 5
				110	Regulator start and stop in Slot 6
		111	Regulator does not start (enabled by I2C)		
		2 to 0	VB1S[2:0]		BUCK1 sequencing slot
				000	Regulator start and stop in Slot 0
				001	Regulator start and stop in Slot 1
				010	Regulator start and stop in Slot 2
				011	Regulator start and stop in Slot 3
				100	Regulator start and stop in Slot 4
				101	Regulator start and stop in Slot 5
110	Regulator start and stop in Slot 6				
111	Regulator does not start (enabled by I2C)				

Address	Register	Bit	Symbol	Value	Description
22	OTP_CFG_SEQ_2	5 to 3	LDO2S[2:0]		LDO2 sequencing slot
				000	Regulator start and stop in Slot 0
				001	Regulator start and stop in Slot 1
				010	Regulator start and Stop in Slot 2
				011	Regulator start and stop in Slot 3
				100	Regulator start and stop in Slot 4
				101	Regulator start and stop in Slot 5
				110	Regulator start and stop in Slot 6
				111	Regulator does not start (enabled by I2C)
		2 to 0	LDO1S[2:0]		LDO1 sequencing slot
				000	Regulator start and stop in Slot 0
				001	Regulator start and stop in Slot 1
				010	Regulator start and stop in Slot 2
				011	Regulator start and stop in Slot 3
				100	Regulator start and stop in Slot 4
				101	Regulator start and stop in Slot 5
				110	Regulator start and stop in Slot 6
				111	Regulator does not start (enabled by I2C)
				23	OTP_CFG_SEQ_3
00	7.81 mV/μs				
01	3.13 mV/μs				
10	2.6 mV/μs				
11	2.23 mV/μs				
5 to 4	DVS_BUCK3[1:0]		BUCK3 soft start/stop configurability		
		00	10.41 mV/μs		
		01	3.47 mV/μs		
		10	2.6 mV/μs		
3	Tslot		Power up/down slot duration		
		01	3.47 mV/μs		
		10	2.6 mV/μs		
		11	2.08 mV/μs		

Address	Register	Bit	Symbol	Value	Description
				0	250 μ s
				1	1.0 ms
		2 to 0	VB3S[2:0]		BUCK3 sequencing slot
				000	Regulator start and stop in Slot 0
				001	Regulator start and stop in Slot 1
				010	Regulator start and Stop in Slot 2
				011	Regulator start and stop in Slot 3
				100	Regulator start and stop in Slot 4
				101	Regulator start and stop in Slot 5
				110	Regulator start and stop in Slot 6
				111	Regulator does not start (enabled by I2C)
24	OTP_CFG_CLOCK_1	5 to 3	VPRE_ph[2:0]		VPRE phase (delay) selection
				000	no delay
				001	delay 1
				010	delay 2
				011	delay 3
				100	delay 4
				101	delay 5
				110	delay 6
				111	delay 7

Address	Register	Bit	Symbol	Value	Description
25	OTP_CFG_CLOCK_2	5 to 3	BUCK1_ph[2:0]		VBUCK1 phase (delay) selection
				000	no delay
				001	delay 1
				010	delay 2
				011	delay 3
				100	delay 4
				101	delay 5
		110	delay 6		
		111	delay 7		
		2 to 0	VBST_ph[2:0]		VBOOST phase (delay) selection
				000	no delay
				001	delay 1
				010	delay 2
				011	delay 3
100	delay 4				
101	delay 5				
110	delay 6				
111	delay 7				
26	OTP_CFG_CLOCK_3	5 to 3	BUCK3_ph[2:0]		VBUCK3 phase (delay) selection
				000	no delay
				001	delay 1
				010	delay 2
				011	delay 3
				100	delay 4
				101	delay 5
		110	delay 6		
		111	delay 7		
		2 to 0	BUCK2_ph[2:0]		VBUCK2 phase (delay) selection
				000	no delay
				001	delay 1
				010	delay 2
				011	delay 3
100	delay 4				
101	delay 5				
110	delay 6				
111	delay 7				

Address	Register	Bit	Symbol	Value	Description		
27	OTP_CFG_CLOCK_4	7	BUCK3_clk_sel		BUCK3 clock selection		
				0	CLK_DIV1 = 2.22 MHz		
		6	BUCK2_clk_sel		BUCK2 clock selection		
				0	CLK_DIV1 = 2.22 MHz		
		5	BUCK1_clk_sel		BUCK1 clock selection		
				0	CLK_DIV1 = 2.22 MHz		
		4	VBST_clk_sel		VBOOST clock selection		
				0	CLK_DIV1 = 2.22 MHz		
		3	VPRE_clk_sel		VPRE clock selection		
				0	CLK_DIV1 = 2.22 MHz		
				1	CLK_DIV2 = 455 kHz		
		2	PLL_sel		PLL enable		
				0	Disabled		
				1	Enabled		
28	OTP_CFG_SM_1	5 to 0	conf_TSD[5]		BOOST behavior in case of TSD		
				0	BOOST shutdown		
				1	BOOST shutdown + DFS		
			conf_TSD[4]		BUCK1 behavior in case of TSD	0	BUCK1 shutdown
						1	BUCK1 shutdown + DFS
			conf_TSD[3]		BUCK2 behavior in case of TSD	0	BUCK2 shutdown
						1	BUCK2 shutdown + DFS
			conf_TSD[2]		BUCK3 behavior in case of TSD	0	BUCK3 shutdown
						1	BUCK3 Shutdown + DFS
			conf_TSD[1]		LDO1 behavior in case of TSD	0	LDO1 shutdown
						1	LDO1 shutdown + DFS
			conf_TSD[0]		LDO2 behavior in case of TSD	0	LDO2 shutdown
						1	LDO2 shutdown + DFS

Address	Register	Bit	Symbol	Value	Description	
29	OTP_CFG_SM_2	4	VPRE_off_dly		Delay to turn OFF VPRES at device power down	
				0	250 μs	
				1	32 ms	
		1	PSYNC_CFG			Power up synchronization
				0	2x VR5500	
				1	1x VR5500 and 1x external PMIC	
		0	PSYNC_EN			Synchronization with two devices
				0	Disabled	
				1	Enabled	
2A	OTP_CFG_VSUP_UV	0	VSUP_CFG		VSUP undervoltage threshold configuration	
				0	4.9 V for Vpre < 4.5 V	
				1	6.2 V for Vpre > 4.5 V	
2B	OTP_CFG_I2C	3 to 0	M_I2CDEVADDR[3:0]		Device I2C address	
				0000	Address D0	
				
				1111	Address D15	
2C	OTP_CFG_OV	2 to 0	VDDIO_REG_ASSIGN[2:0]		Regulator assigned to VDDIO	
				000	External regulator	
				001	VPRE	
				010	LDO1	
				011	LDO2	
				100	BUCK3	
				101	External regulator	
				110	External regulator	
				111	External regulator	
2D	OTP_CFG_DEVID	7 to 0	DeviceID[7:0]		Device ID	

18.3 Fail-safe OTP bit description

Table 65. Fail-safe OTP bit description

Address	Register	Bit	Symbol	Value	Description
0A	OTP_CFG_UVOV_1	7 to 0	VCORE_V[7:0]		VCORE (VBUCK1) monitoring voltage
				0100 0000	0.8 V
				0100 0100	0.825 V
				0101 0000	0.9 V
				0101 1000	0.95 V
				0110 0000	1 V
				01100100	1.025 V
				0110 0101	1.03125 V
				0110 0000	1.1 V
				1000 0000	1.2 V
				1000 1000	1.25 V
				1001 0000	1.3 V
				1001 1000	1.35 V
				1010 0000	1.4 V
				1011 0000	1.5 V
				1011 0001	1.8 V

Address	Register	Bit	Symbol	Value	Description
0B	OTP_CFG_UVOV_2	7 to 4	VDDIOOVTH[3:0]		VDDIO overvoltage threshold configuration
				0000	104.5 %
				0001	105 %
				0010	105.5 %
				0011	106 %
				0100	106.5 %
				0101	107 %
				0110	107.5
				0111	108 %
				1000	108.5 %
				1001	109 %
				1010	109.5 %
				1011	110 %
				1100	110.5 %
		1101	111 %		
		1110	111.5 %		
		1111	112 %		
		3 to 0	VCOREOVTH[3:0]		VCOREMON overvoltage threshold configuration
				0000	104.5 %
				0001	105 %
				0010	105.5 %
				0011	106 %
				0100	106.5 %
				0101	107 %
				0110	107.5
				0111	108 %
1000	108.5 %				
1001	109 %				
1010	109.5 %				
1011	110 %				
1100	110.5 %				
1101	111 %				
1110	111.5 %				
1111	112 %				
0C	OTP_CFG_UVOV_3	5	VDDIO_V		VDDIO voltage selection
				0	3.3 V
			1	5 V	
		4 to 0	VCORE_SVS_CLAMP[4:0]		SVS max value allowed (mask)
				00000	2 steps available (-12.5 mV)
	00001	4 steps available (-25 mV)			

Address	Register	Bit	Symbol	Value	Description
				00011	8 steps available (-50 mV)
				00100	16 steps available (-100 mV)
0D	OTP_CFG_UVOV_4	3 to 0	VMON1OVTH[3:0]		VMON1 overvoltage threshold configuration
				0000	104.5 %
				0001	105 %
				0010	105.5 %
				0011	106 %
				0100	106.5 %
				0101	107 %
				0110	107.5
				0111	108 %
				1000	108.5 %
				1001	109 %
				1010	109.5 %
				1011	110 %
				1100	110.5 %
				1101	111 %
				1110	111.5 %
				1111	112 %

Address	Register	Bit	Symbol	Value	Description		
0F	OTP_CFG_UVOV_6	7 to 4	VDDIOUVTH[3:0]		VDDIO undervoltage threshold configuration		
				0000	95.5 %		
				0001	95 %		
				0010	94.5 %		
				0011	94 %		
				0100	93.5 %		
				0101	93 %		
				0110	92.5 %		
				0111	92 %		
				1000	91.5 %		
				1001	91 %		
				1010	90.5 %		
				1011	90 %		
				1100	89.5 %		
				1101	89 %		
				1110	88.5 %		
		1111	88 %				
		3 to 0	VCOREUVTH[3:0]				VCOREMON undervoltage threshold configuration
						0000	95.5 %
						0001	95 %
						0010	94.5 %
						0011	94 %
						0100	93.5 %
						0101	93 %
						0110	92.5 %
						0111	92 %
						1000	91.5 %
						1001	91 %
1010	90.5 %						
1011	90 %						
1100	89.5 %						
1101	89 %						
1110	88.5 %						
1111	88 %						

Address	Register	Bit	Symbol	Value	Description
10	OTP_CFG_UVOV_7	3 to 0	VMON1UVTH[3:0]		VMON1 undervoltage threshold configuration
				0000	95.5 %
				0001	95 %
				0010	94.5 %
				0011	94 %
				0100	93.5 %
				0101	93 %
				0110	92.5 %
				0111	92 %
				1000	91.5 %
				1001	91 %
				1010	90.5 %
				1011	90 %
				1100	89.5 %
				1101	89 %
				1110	88.5 %
1111	88 %				
12	OTP_CFG_PGOOD	6	PGOOD_RSTB		RSTB assignment to PGOOD
				0	Not assigned
		1	Assigned		
		2	PGOOD_VMON1		VMON1 assignment to PGOOD
				0	Not assigned
		1	Assigned		
		1	PGOOD_VDDIO		VDDIO assignment to PGOOD
				0	Not assigned
		1	Assigned		
		0	PGOOD_VCORE		VCORE (BUCK1) assignment to PGOOD
				0	Not assigned
		1	Assigned		
14	OTP_CFG_ASIL	0	VMON1_EN		VMON1 monitoring enable
				0	Disabled
				1	Enabled
15	OTP_CFG_I2C	3 to 0	FS_I2CDEVADDR[3:0]		Device I2C address
				0000	Address D0
			
				1111	Address D15

Address	Register	Bit	Symbol	Value	Description
16	OTP_CFG_DGLT_DUR_1	5 to 4	VCORE_UV_DGLT[1:0]		VCORE undervoltage filtering time
				00	5 μ s
				01	15 μ s
				10	25 μ s
				11	40 μ s
		3	VCORE_OV_DGLT		VCORE overvoltage filtering time
				0	25 μ s
				1	45 μ s
		2 to 1	VDDIO_UV_DGLT[1:0]		VDDIO undervoltage filtering time
				00	5 μ s
				01	15 μ s
				10	25 μ s
				11	40 μ s
		0	VDDIO_OV_DGLT		VDDIO overvoltage filtering time
				0	25 μ s
				1	45 μ s
17	OTP_CFG_DGLT_DUR_2	2 to 1	VMON1_UV_DGLT[1:0]		VMON1 undervoltage filtering time
				00	5 μ s
				01	15 μ s
				10	25 μ s
				11	40 μ s
		0	VMON1_OV_DGLT		VMON1 overvoltage filtering time
				0	25 μ s
				1	45 μ s

19 Best of supply

19.1 Functional description

VBOS regulator manages the best of supply from VSUP, VPRE, and VBOOST to efficiently generate 5.0 V output to supply the internal biasing of the device. VBOS is also the supply of VPRE high-side and low-side gate drivers and VBOOST low-side gate driver.

VBOS undervoltage may not guarantee the full functionality of the device. Consequently, VBOS_UVL detection powers down the device.

V_{SUP_UV7} undervoltage threshold is used to enable the path from VSUP to VBOS when $VSUP < V_{SUP_UV7}$ to have a low drop path from VSUP, while VPRE is going low and to power up the device when VPRE is not started. When $VSUP > V_{SUP_UV7}$, VBOS is forced to use either VPRE or VBOOST to optimize the efficiency.

19.2 Best of supply electrical characteristics

Table 66. Best of supply electrical characteristics

$T_A = -40\text{ }^{\circ}\text{C}$ to $125\text{ }^{\circ}\text{C}$, unless otherwise specified. $V_{SUP} = V_{SUP_UVH}$ to 36 V, unless otherwise specified. All voltages referenced to ground.

Symbol	Parameter	Min	Typ	Max	Unit
V_{BOS}	Best of supply output voltage	3.3	5.0	5.25	V
V_{BOS_UVH}	VBOS undervoltage threshold high (VBOS rising)	4.1	—	4.5	V
V_{BOS_UVL}	VBOS undervoltage threshold low (VBOS falling)	3.2	—	3.4	V
T_{BOS_UV}	V_{BOS_UVH} and V_{BOS_UVL} filtering time	6.0	10	15	μs
V_{BOS_POR}	VBOS power-on reset threshold	—	—	2.5	V
T_{BOS_POR}	V_{BOS_POR} filtering time	0.5	—	1.5	μs
I_{BOS}	Best of supply current capability	—	—	60	mA
C_{OUT_BOS}	Effective output capacitor	4.7	—	10	μF
	Output decoupling capacitor	—	0.1	—	μF

20 High voltage buck: VPRES

20.1 Functional description

VPRES block is a high voltage, synchronous, peak current mode buck controller. VPRES is working with external logical level NMOS in force PWM mode at 455 kHz and in Automatic Pulse Skipping (APS) mode at 2.22 MHz. The APS mode helps to maintain the correct output voltage at high input voltage by skipping some turn ON cycles of the HS FET below the minimum duty cycle. VPRES input voltage is naturally limited to $V_{SUP} = LPI_DCR \times I_{PRE} + V_{PRE_UVL} / D_{MAX}$ with $D_{MAX} = 1 - (F_{PRE_SW} \times T_{PRE_OFF_MIN})$.

A bootstrap capacitor is required to supply the gate drive circuit of the high-side NMOS. The output voltage is configurable by OTP from 3.3 V to 5.0 V, and the switching frequency is configurable by OTP at 455 kHz for 12 V and 24 V transportation applications or 2.22 MHz for 12 V automotive applications. The stability is ensured by an external Type 2 compensation network with slope compensation.

The output current is sensed via an external shunt in series with the inductor and the maximum current capability is defined by the external components (NMOS gate charge, inductor, shunt resistor), the gate driver current capability, and the switching frequency. An overcurrent detection is implemented to protect the external MOSFETs. If an overcurrent is detected after the HS minimum TON time, the HS is turned OFF and will be turned ON again at the next rising edge of the switching clock. The overcurrent induces a duty cycle reduction that could lead to the output voltage gradually dropping, causing an undervoltage condition on VPRES and/or one of the cascaded regulators.

The maximum input voltage is 60 V and allows operation in 24 V truck applications without external protection to sustain ISO 16750-2:2012 load dump pulse 5b. VPRES must be the input supply of the BOOST and BUCK1,2. VPRES can be the input supply of BUCK3 and LDO1. VPRES can be the supply of local loads remaining inside the ECU.

By default, VPRES switching frequency is derived from the internal oscillator, and can be synchronized with an external frequency signal applied at FIN input pin. The change from internal oscillator to external clock or vice versa is controlled by I2C.

V_{PRE_UVH} , V_{PRE_UVL} , and $V_{PRE_FB_OV}$ thresholds are monitored from PRE_FB pin and manage some transitions of the main state machine described in [Section 14.1 "Simplified functional state diagram"](#).

20.2 Application schematic

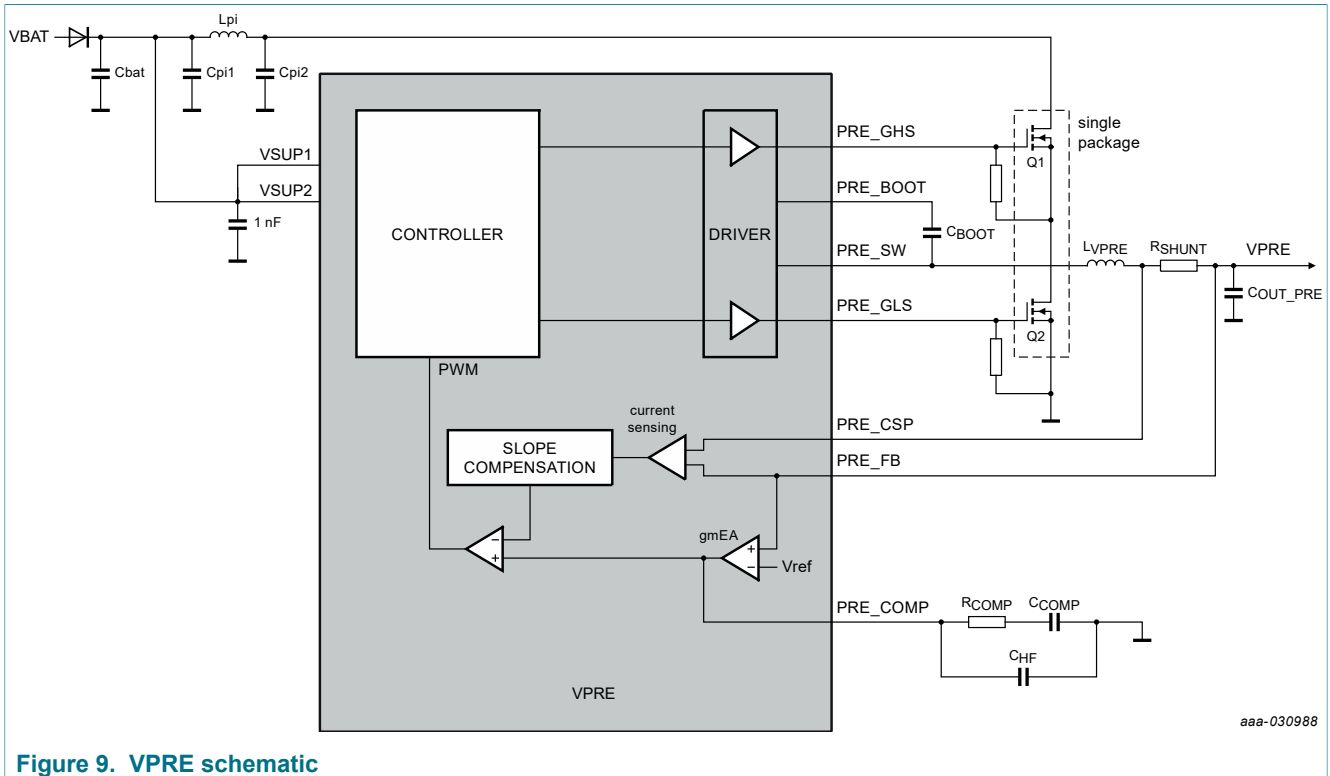


Figure 9. VPRES schematic

A PI filter, with $F_{RES} = 1 / [2\pi \times \sqrt{LC_{pi1}}]$ and calculated for $F_{res} < F_{PRE_SW} / 10$, is required to filter VPRES switching frequency on the Battery line. VSUP1,2 pins must be connected before the PI filter for a clean biasing of the device. Cpi1 capacitor shall be implemented close to VSUP1,2 pins. Cpi2 capacitor shall be implemented close to Q1. The bootstrap capacitor value should be sized to be >10 times the gate source capacitor of Q1. Gate to source resistor on Q1 and Q2 is recommended in case of pin disconnection to guarantee a passive switch OFF of the transistors.

20.3 Compensation network and stability

The external compensation network, made with R_{COMP} , C_{COMP} , and C_{HF} shall be calculated for best compromise between stability and transient response, based on below conceptual plot of Type 2 compensation network transfer function.

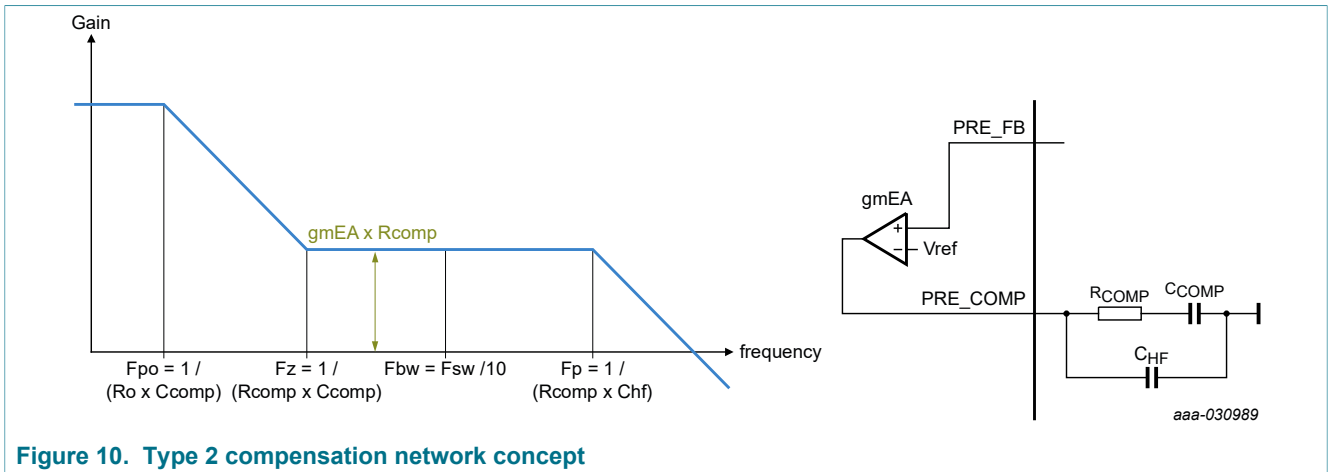


Figure 10. Type 2 compensation network concept

Calculation guideline

- System bandwidth for $V_{PRE} = 455 \text{ kHz}$: $F_{bw} = F_{PRE_SW} / 10$
System bandwidth for $V_{PRE} = 2.22 \text{ MHz}$: $F_{bw} = F_{PRE_SW} / 15$
- Compensation zero: $F_z = F_{bw} / 10$
- Compensation pole for $V_{PRE} = 455 \text{ kHz}$: $F_p = F_{PRE_SW} / 2$
- Compensation pole for $V_{PRE} = 2.22 \text{ MHz}$: $F_p = F_{PRE_SW} / 4$
- $F_{GBW} = 1 / (2\pi \times R_{SHUNT} \times V_{PRE_LIM_GAIN} \times C_{OUT_PRE})$
- Error amplifier gain: $EA_gain = (V_{REF} / V_{PRE}) \times gmEA_{PRE} \times R_{COMP} = 10^{\wedge} \text{LOG} (F_{BW} / F_{GBW})$
- $V_{REF} = 1.0 \text{ V}$, $R_{COMP} = V_{PRE} \times (EA_gain / gmEA_{PRE})$
- $C_{COMP} = 1 / (2\pi \times F_z \times R_{COMP})$
- $C_{HF} = 1 / (2\pi \times F_p \times R_{COMP})$
- Slope compensation: $Se > (V_{PRE} / L_{VPRE}) \times R_{SHUNT} \times V_{PRE_LIM_GAIN}$

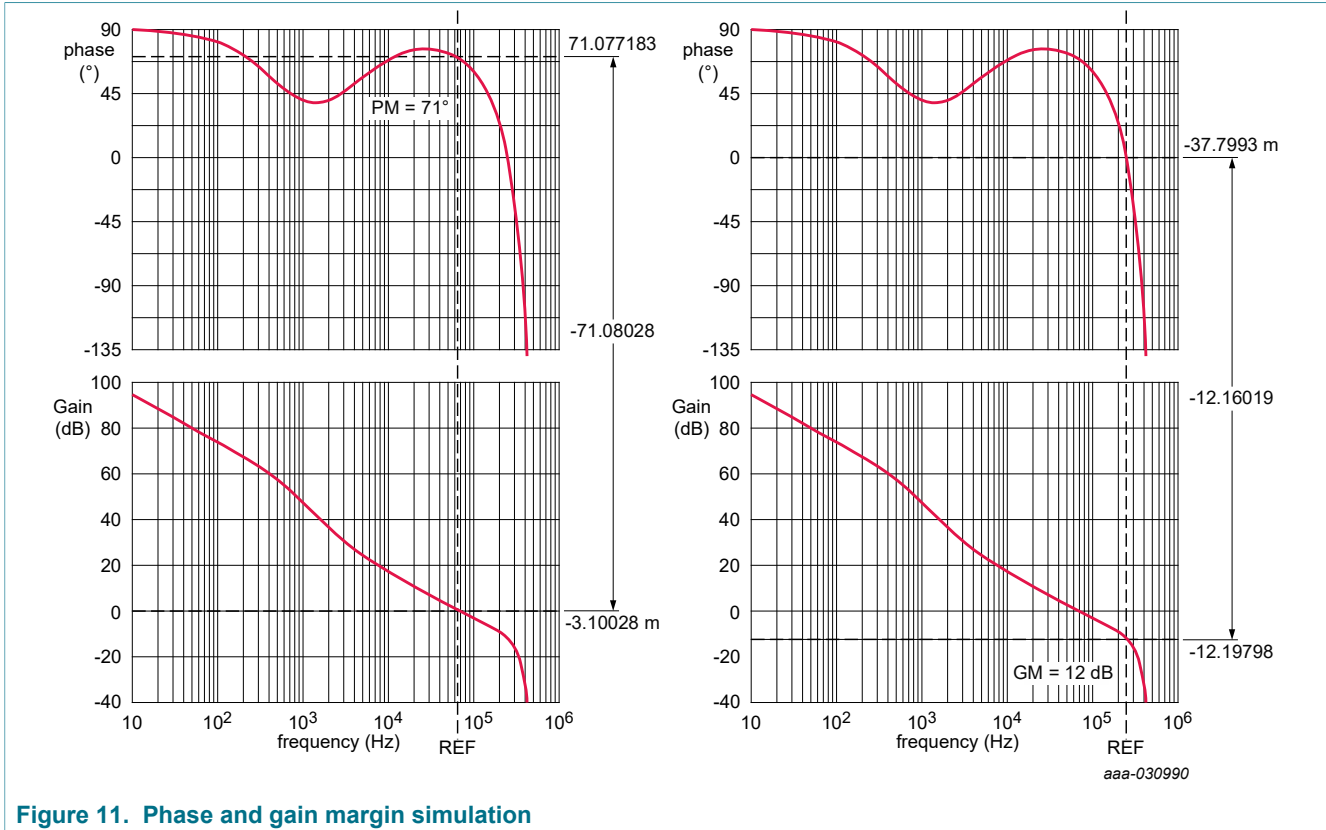
The compensation network can be automatically calculated in the VR5500_OTP_Config.xlsm file which is using the same formulas. A Simplis simulation is recommended to verify the Phase and Gain Margin with normalized components.

Use case calculation with $V_{PRE} = 4.1 \text{ V}$, $L_{VPRE} = 6.8 \mu\text{H}$, $F_{PRE_SW} = 455 \text{ kHz}$, $C_{OUT_PRE} = 66 \mu\text{F}$, $R_{SHUNT} = 10.0 \text{ m}\Omega$

- System bandwidth: $F_{bw} = 45 \text{ kHz}$
- Compensation zero: $F_z = 4.5 \text{ kHz}$
- Compensation pole: $F_p = 227.5 \text{ kHz}$
- $F_{GBW} = 53 \text{ kHz}$
- Error amplifier gain: $EA_gain = 10^{\wedge} \text{LOG} (F_{BW} / F_{GBW}) = 0.86$
- $R_{COMP} = 2.34 \text{ k}\Omega = 2.2 \text{ k}\Omega$
- $C_{COMP} = 15.9 \text{ nF} = 16 \text{ nF}$
- $C_{HF} = 318 \text{ pF} = 330 \text{ pF}$
- Slope compensation: $Se > 30 \text{ mV}/\mu\text{s}$

Use case stability verification

- Phase margin target $PM > 45^\circ$ and gain margin target $GM > 6 \text{ dB}$.



Use case transient response verification

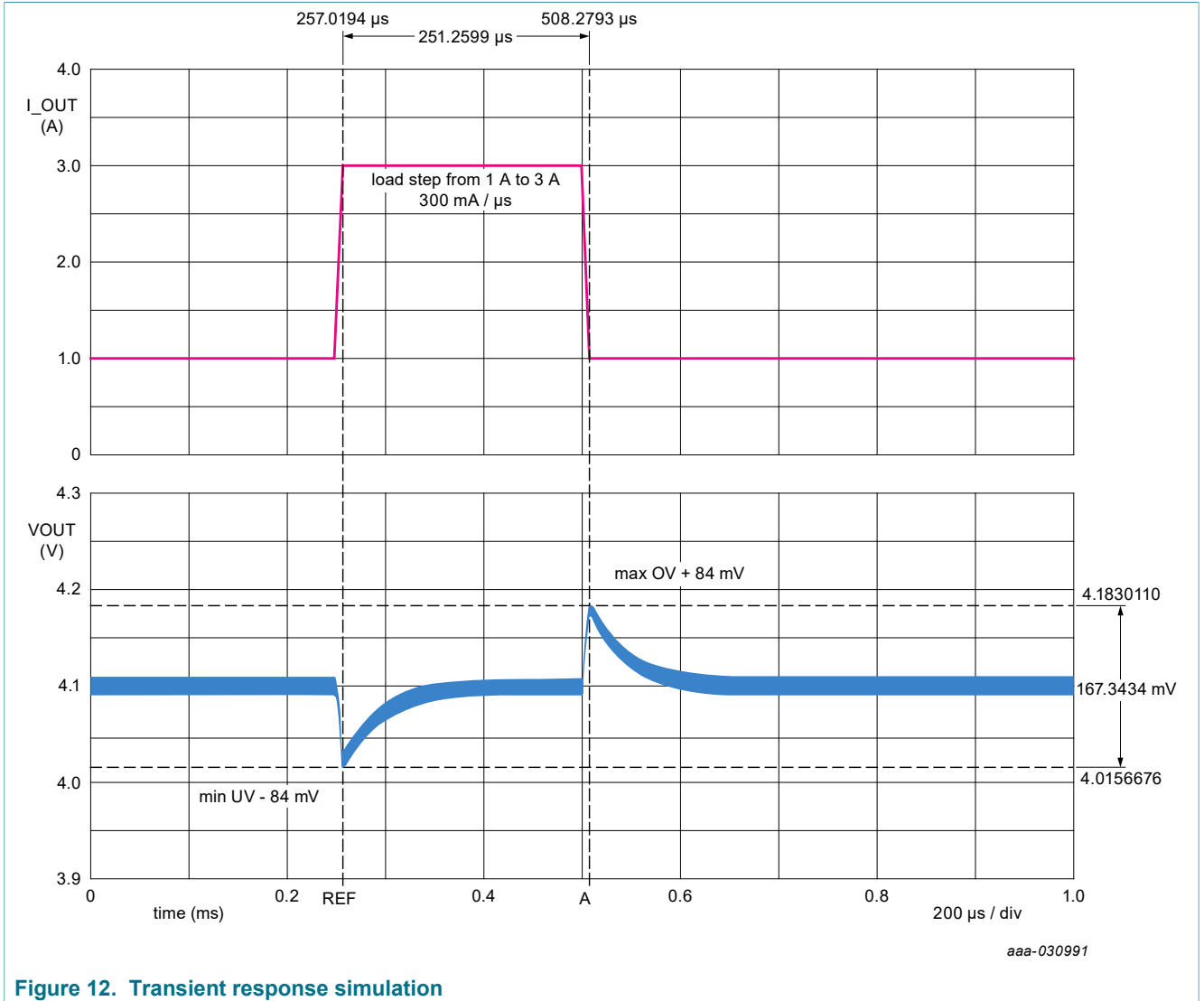


Figure 12. Transient response simulation

20.4 VPRE electrical characteristics

Table 67. VPRE electrical characteristics

$T_A = -40\text{ }^{\circ}\text{C}$ to $125\text{ }^{\circ}\text{C}$, unless otherwise specified. $VSUP = VSUP_UVH$ to 36 V, unless otherwise specified. All voltages referenced to ground.

Symbol	Parameter	Min	Typ	Max	Unit
V _{PRE}	Output voltage (OTP_VPREV[5:0] bits)	3.2	3.3	3.4	V
		3.68	3.8	3.92	V
		3.98	4.1	4.22	V
		4.85	5.0	5.15	V
V _{PRE_SOFT_START}	Output voltage from 10 % to 90 %	250	450	650	μs
	Digital DAC soft start completion	—	—	1.35	ms
V _{PRE_STARTUP}	Overshoot at startup	—	—	3	%
V _{PRE_FB_OV}	Over voltage threshold protection	5.5	6.0	6.5	V
T _{PRE_FB_OV}	V _{PRE_FB_OV} filtering time	1	2	3	μs

Symbol	Parameter	Min	Typ	Max	Unit
V _{PRE_UVH}	Under voltage threshold high	2.9	—	3.1	V
V _{PRE_UVL}	Under voltage threshold low	2.5	—	2.7	V
T _{PRE_UV}	V _{PRE_UVH} and V _{PRE_UVL} filtering time	6.0	10	15	μs
F _{PRE_SW}	Switching frequency range (OTP_VPRE_clk_sel bit)	430	455	480	kHz
		2.1	2.22	2.35	MHz
L _{VPRE}	Typical inductor value for F _{PRE_SW} = 455 kHz	4.7	6.8	10	μH
	Typical inductor value for F _{PRE_SW} = 2.22 MHz	1.5	2.2	4.7	μH
V _{PRE_LOAD_REG_455k}	Transient load regulation at 455 kHz VSUP = 6.0 V to 36 V (L _{VPRE} = 6.8 μH, C _{OUT_PRE} = 66 μF, from 1.0 A to 3.0 A, di/dt = 300 mA/μs)	-3	—	3	%
V _{PRE_LOAD_REG_2.2M}	Transient load regulation at 2.22 MHz VSUP = 6.0 V to 18 V (L _{VPRE} = 2.2 μH, C _{OUT_PRE} = 44 μF, from 1.0 A to 3.0 A, di/dt = 300 mA/μs)	-3	—	3	%
V _{PRE_LINE_REG_455k}	Transient line regulation at 455 kHz VSUP = 6.0 V to 18 V and VSUP = 12 V to 36 V (C _{in} = 47 μF + PI filter, L _{VPRE} = 6.8 μH, C _{OUT_PRE} = 66 μF, dv/dt = 100 mV/μs)	-3	—	3	%
V _{PRE_LINE_REG_2.2M}	Transient line regulation at 2.22 MHz VSUP = 6.0 V to 18 V (C _{in} = 47 μF + PI filter, L _{VPRE} = 2.2 μH, C _{OUT_PRE} = 44 μF, dv/dt = 100 mV/μs)	-3	—	3	%
V _{PRE_RIPPLE_455k}	Ripple at 455 kHz VSUP = 12 V and VSUP = 24 V (L _{VPRE} = 6.8 μH, C _{OUT_PRE} = 66 μF, V _{PRE} = 3.3 V and 5.0 V, I _{PRE} = 4A)	-1	—	1	%
V _{PRE_RIPPLE_2.2M}	Ripple at 2.22 MHz VSUP = 12 V (L _{VPRE} = 2.2 μH, C _{OUT_PRE} = 44 μF, V _{PRE} = 3.3 V and 5.0 V, I _{PRE} = 2A)	-0.5	—	0.5	%
T _{PRE_ON_MIN}	HS minimum ON time	15	25	35	ns
T _{PRE_OFF_MIN}	HS minimum OFF time	20	40	60	ns
R _{SHUNT}	Current sense resistor (±1 %)	10	—	20	mΩ
V _{PRE_LIM_GAIN}	Current sense amplifier gain	4.5	5	5.5	
V _{PRE_LIM_TH1}	Current sense amplifier peak detection threshold (OTP_VPREILIM[1:0] bits) Note: 150 mV setting is not available for 2.22 MHz	37	50	63	mV
		60.8	80	99.2	mV
		93.6	120	146.4	mV
		117	150	183	mV
I _{LIM_PRE}	I _{LIM_PRE} = V _{PRE_LIM_TH} / R _{SHUNT} Inductor peak current limitation range (R _{SHUNT} = 10 mΩ, V _{PRE_LIM_TH1} = 50 mV)	3.75	5	6.25	A
	Inductor peak current limitation range (R _{SHUNT} = 10 mΩ, V _{PRE_LIM_TH1} = 150 mV) To be recalculated for different R _{SHUNT} and different V _{PRE_LIM_TH}	12	15	18	A
V _{PRE_DRV}	HS and LS gate driver output voltage	—	VBOS	—	V

Symbol	Parameter	Min	Typ	Max	Unit
I _{PRE_GATE_DRV}	HS and LS gate driver pull up and pull down current capability (OTP_VPRESRHS[1:0] and OTP_VPRESRLS[1:0] bits by default + VPRESRHS[1:0] and VPRESRLS[1:0] bits by I2C)	60	130	220	mA
		120	260	430	mA
		220	520	860	mA
		420	900	1490	mA
C _{OUT_PRE}	Effective output capacitor for F _{PRE_SW} = 455 kHz	40	66	220	μF
	Effective output capacitor for F _{PRE_SW} = 2.22 MHz	20	44	110	μF
	Output decoupling capacitor	—	0.1	—	μF
C _{IN_PRE}	Effective input capacitor (C _{pi2})	20	—	—	μF
	Input decoupling capacitor	—	0.1	—	μF
I _{PRE_DRV}	Combined HS + LS gate driver average current capability I _{PRE_DRV} < F _{PRE_SW} × (QC _{HS} + QC _{LS}) with QC _{HS} = gate charge of Q2 at VBOS with QC _{LS} = gate charge of Q1 at VBOS	—	—	30	mA
gmEA _{PRE}	Error amplifier transconductance	1.0	1.5	2.1	mS
V _{PRE_SLOPE}	Slope compensation (OTP_VPRESC[5:0] bits)	29	40	51	mV/μs
		36	50	64	mV/μs
		43	60	77	mV/μs
		51	70	89	mV/us
		58	80	102	mV/μs
		65	90	115	mV/μs
		73	100	127	mV/μs
		102	140	178	mV/μs
		124	170	216	mV/μs
		146	200	254	mV/μs
175	240	305	mV/μs		
T _{PRE_UV_DFS}	V _{PRE_UVL} filtering time to go to DEEP-FS during V _{PRE} startup	1.8	2	2.2	ms
T _{PRE_DT}	Dead time to avoid cross conduction (this timing does not take into account the external FET turn ON/OFF times)	20	30	40	ns
V _{PRE_OFF_DLY}	Wait time between VBOOST OFF and VPRE OFF (OTP_VPRE_off_dly bit)	—	250	—	μs
		—	32	—	ms
R _{PRE_DIS}	Discharge resistor (when VPRE is disabled)	250	500	1000	Ω
I _{PRE_SW_LKG}	PRE_SW leakage	—	—	10	μA
R _{DRV_OFF}	HS and LS gate driver pull-down resistor when VPRE is disabled	5	—	35	kΩ
R _{BOOT_OFF}	PRE_BOOT pull-down resistor when VPRE is disabled	1.2	—	2.6	kΩ
I _{BOOT_LKG}	PRE_BOOT leakage	—	—	10	μA

20.5 VPRE external MOSFETs

MOSFETs selection:

- Logical level NMOS, gate drive comes from VBOS (5.0 V)
- VDS > 60 V for 24 V truck, bus applications
- VDS > 40 V for 12 V automotive applications
- Qg < 15 nC at Vgs = 5.0 V is recommended for 455 kHz
Qg < 7 nC at Vgs = 5.0 V is recommended for 2.22 MHz
- Recommended example references

Table 68. VPRE external MOSFETs recommendation

Applications	Fpre	Ipre < 2.0 A	Ipre < 4.0 A	Ipre < 6.0 A	Ipre < 10 A
12 V	455 kHz	BUK9K25-40E, BUK9K18-40E	BUK9K25-40E, BUK9K18-40E	BUK9K18-40E	BUK9K18-40E, NVTFS5C471NLWFTAG, HS = BUK9M9R5-40H, LS = BUK9M3R3-40H
	2.22 MHz	BUK9K25-40E, BUK9Y29-40E	BUK9K25-40E, BUK9Y29-40E	BUK9K25-40E, BUK9Y29-40E	N/A
24 V	455 kHz	BUK9K35-60E, BUK9K52-60E	BUK9K35-60E, BUK9K52-60E	BUK9K35-60E	, BUK9K12-60E

Other MOSFETs are possible but should have similar performances as compared to the recommended references. The maximum current at 2.22 MHz is limited to 6.0 A for which the efficiency is equivalent to 10 A at 455 kHz. The power dissipation in the external MOSFETs is important and the junction temperature may rise above 175 °C.

VPRE switching slew rate can be configured by I2C to align with external MOSFET selection, VPRE switching frequency, and to optimize power dissipation and EMC performance. It is recommended to configure the maximum slew rate by OTP and reduce it later by I2C if needed. VR5500 is using current source to drive the external MOSFET so adding an external serial resistor with the gate does not affect the slew rate. It is recommended to change the current source selection by I2C to change the slew rate.

VPRE MOSFET switching time can be estimated to $T_{SW} = (Q_{GD} + Q_{GS} / 2) / I_{PRE_GATE_DRV}$ using the gate charge definition from Figure 13. Q_{GD} and Q_{GS} can be extracted from the MOSFET data sheet.

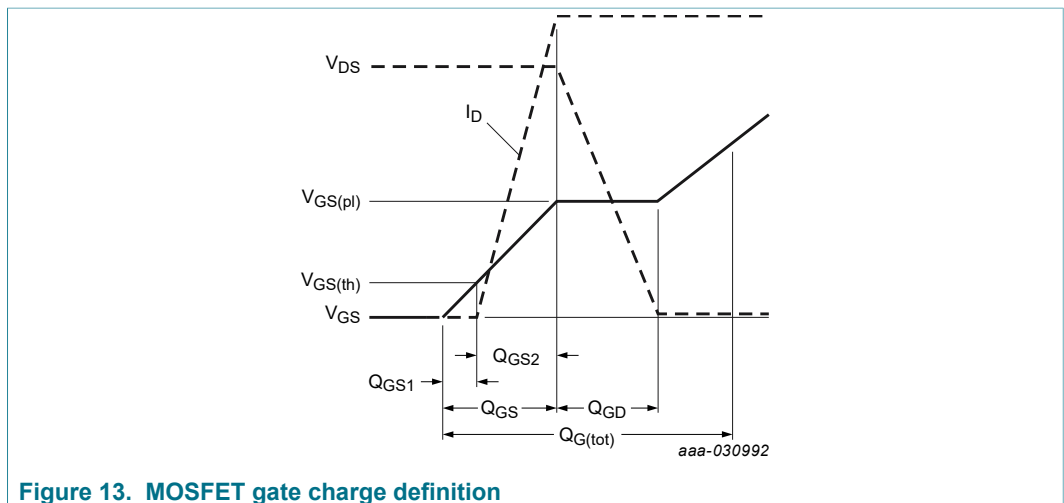


Figure 13. MOSFET gate charge definition

20.6 VPRE efficiency

VPRE efficiency versus current load is given for information based on external component criteria provided and VSUP voltage 14 V. If the conditions change, it has to be recalculated with the VR5500_PDTCAL tool. The real efficiency has to be verified by measurement at the application level.

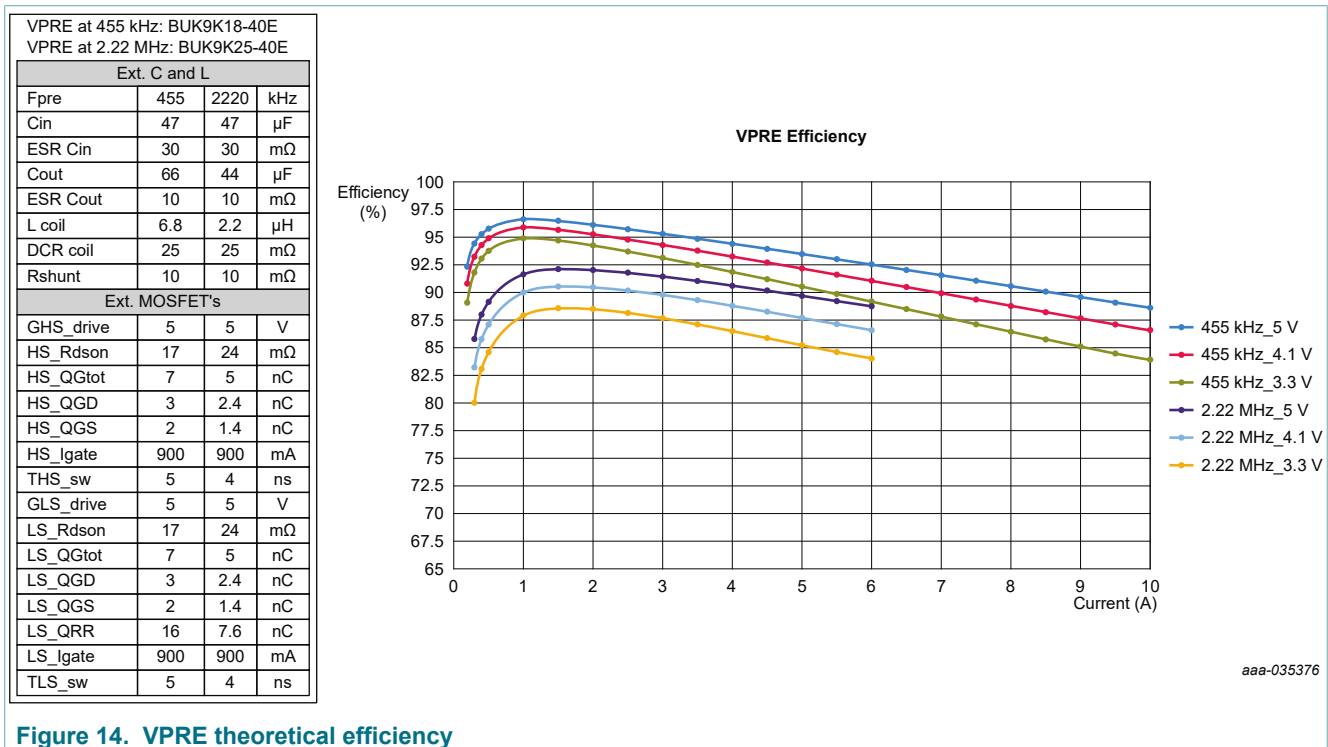


Figure 14. VPRE theoretical efficiency

20.7 VPRE not populated

When two VR5500 are used, only one VPRE may be required. It is possible to not populate the external components of the second VPRE to optimize the bill of material.

In that case, specific connection of the VPRE2 pins is required:

- PRE_FB2 must be connected to PRE_FB1
- PRE_CSP2 must be connected to PRE_FB1
- PRE_COMP2 must be left open
- PRE_SW2 must be connected to GND
- PRE_BOOT2 must be connected to VBOS2
- PRE_GHS2 and PRE_GLS2 must be left open

After the startup phase, VPRE2 shall be disabled by I2C with VPDIS bit.

21 Low voltage boost: VBOOST

21.1 Functional description

VBOOST block is a low voltage, asynchronous, peak current mode boost converter. VBOOST works in PWM and uses an external diode and an internal low-side FET.

VBOOST enters Skip mode to maintain the correct output voltage in light load condition. The output voltage is configurable by OTP at 5.0 V or 5.74 V, the switching frequency is 2.22 MHz and the output current is limited to 1.5 A peak input current. The input of the boost is connected to the output of VPRE. This block is intended to supply LDO1, LDO2, BUCK3, or an external regulator. The stability is ensured by an internal Type 2 compensation network with slope compensation.

By default, VBOOST switching frequency is derived from the internal oscillator, and can be synchronized with an external frequency signal applied on FIN input pin. The change from internal oscillator to external clock or vice versa is controlled by I2C.

An overcurrent detection and a thermal shutdown are implemented to protect the internal MOSFET. If an overcurrent is detected after the LS minimum TON time, the LS is turned OFF and will be turned ON again at the next rising edge of the switching clock. The overcurrent induces a duty cycle reduction that could lead to the output voltage gradually dropping, causing an undervoltage condition on one of the cascaded regulators.

Since the current limitation is on the input current, [Table 69](#) summarizes the expected output current capability depending on VPRE and VBOOST voltage configurations and $L = 4.7 \mu\text{H}$.

Table 69. Output current capability

VPRE	VBOOST	IBOOST_OUT
3.3 V	5.0 V	800 mA
	5.74 V	700 mA
4.1 V	5.0 V	1 A
	5.74 V	900 mA
5.0 V	5.74 V	1.1 A

An overvoltage protection is implemented on BOOST_LS pin. When $V_{\text{BOOST_OV}}$ is detected during two consecutive turn ON cycles, VBOOST is disabled. An I2C command is required to enable it again.

21.2 Application schematic

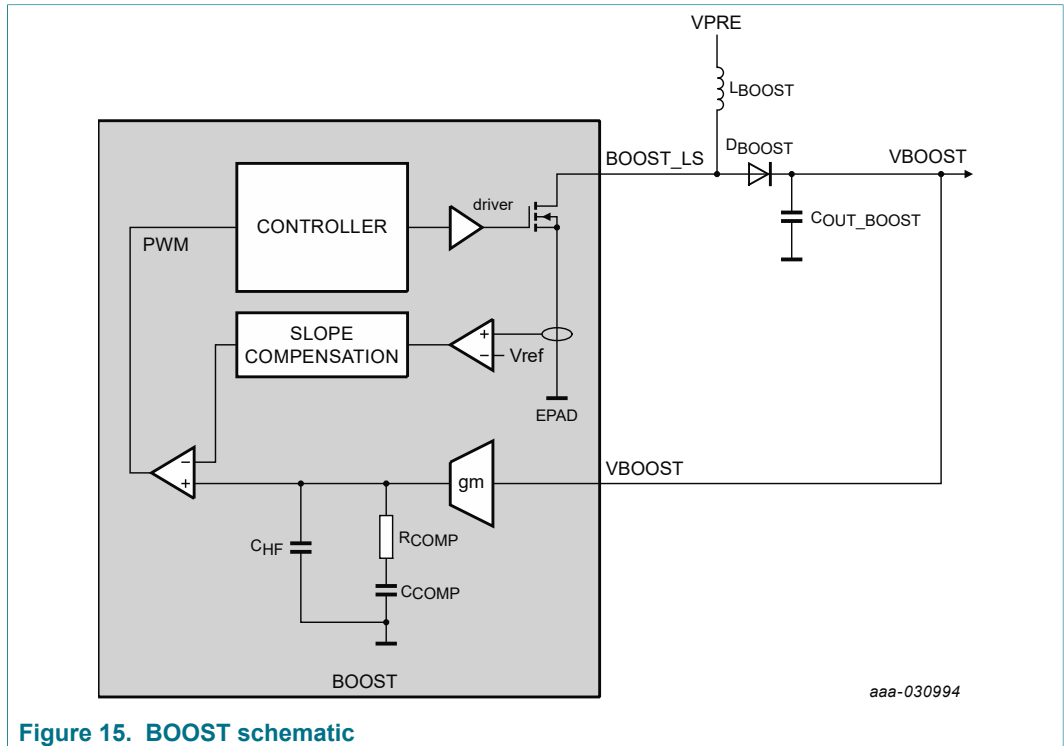


Figure 15. BOOST schematic

It is recommended to select a Schottky diode for D_{BOOST} to limit the impact on the SMPS efficiency.

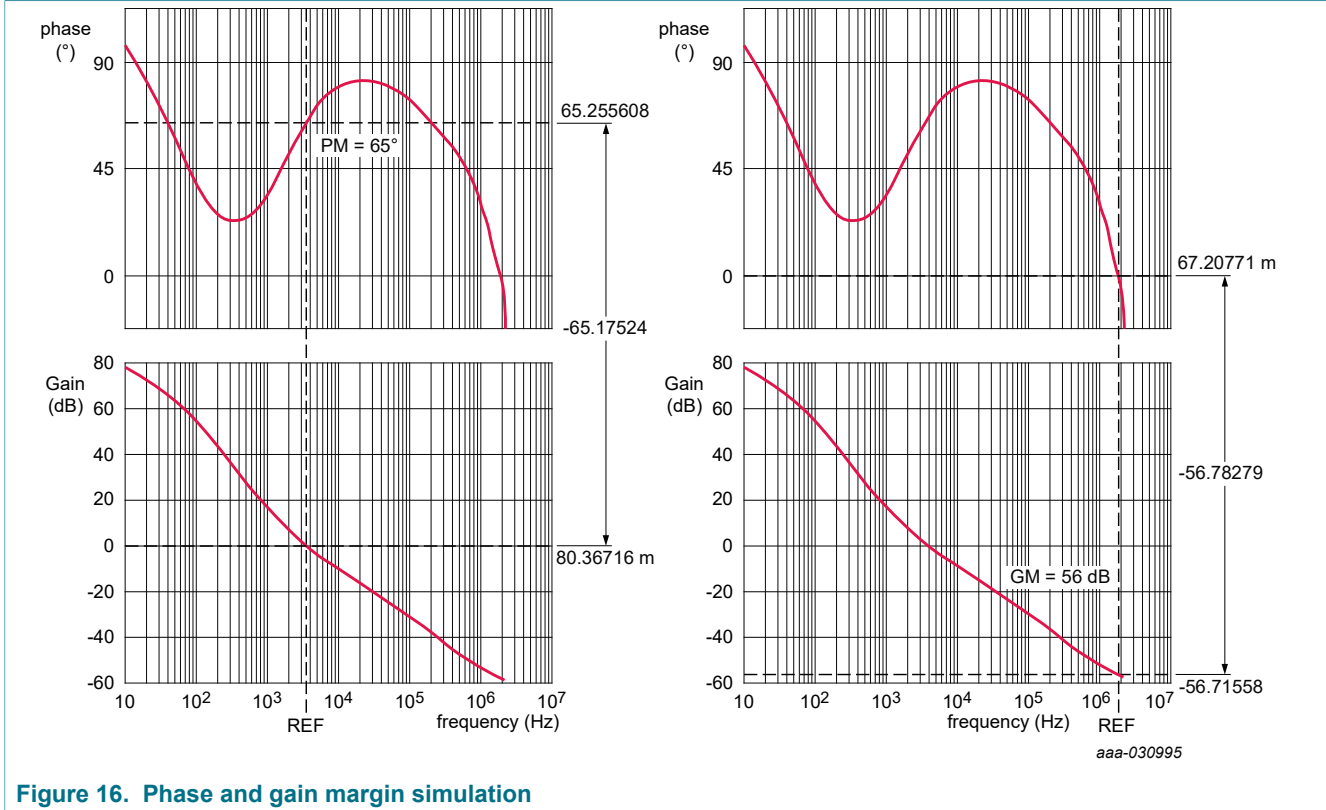
21.3 Compensation network and stability

The internal compensation network, made with R_{COMP} , C_{COMP} , and C_{HF} is optimized for best compromise between stability and transient response with $R_{COMP} = 750\text{ k}\Omega$, $C_{COMP} = 125\text{ pF}$, and $C_{HF} = 2.0\text{ pF}$.

Use case with $V_{BOOST} = 5.74\text{ V}$, $L_{VBOOST} = 4.7\text{ }\mu\text{H}$, $F_{BOOST_sw} = 2.22\text{ MHz}$, $C_{OUT_BOOST} = 22\text{ }\mu\text{F}$

Use case stability verification

- Phase margin target $PM > 45^\circ$ and gain margin target $GM > 6\text{ dB}$.



Use case transient response verification

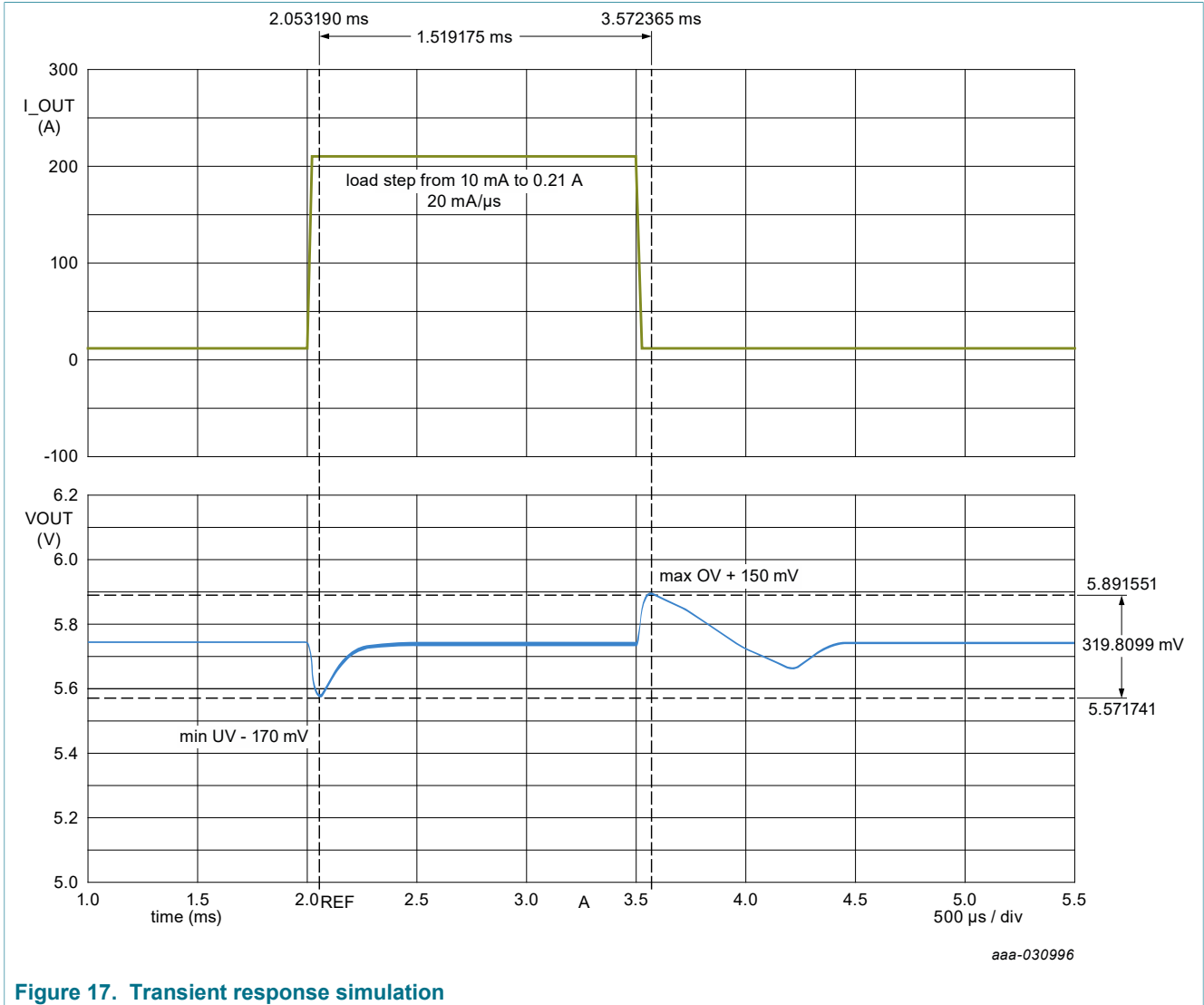


Figure 17. Transient response simulation

21.4 VBOOST electrical characteristics

Table 70. VBOOST electrical characteristics

$T_A = -40\text{ }^{\circ}\text{C}$ to $125\text{ }^{\circ}\text{C}$, unless otherwise specified. $VSUP = VSUP_UVH$ to 36 V, unless otherwise specified. All voltages referenced to ground.

Symbol	Parameter	Min	Typ	Max	Unit
V _{BOOST}	Output voltage (OTP_VBSTV[3:0] bits)	5.57	5.74	5.91	V
		4.85	5.0	5.15	V
V _{BOOST_SOFT_START}	Output voltage from 10 % to 90 %	—	500	—	μs
	Digital DAC soft start completion	—	—	825	μs
V _{BOOST_STARTUP}	Overshoot at startup	—	—	3	%
V _{BOOST_UVH}	Undervoltage threshold high	3.3	—	3.7	V
T _{BOOST_UVH}	V _{BOOST_UVH} filtering time	6.0	10	15	μs
V _{BOOST_OV}	Overvoltage protection threshold	7.4	—	7.9	V
F _{BOOST_SW}	Switching frequency range	2.1	2.22	2.35	MHz

Symbol	Parameter	Min	Typ	Max	Unit
L _{BOOST}	Inductor for V _{BOOST_SW} = 2.22 MHz	2.2	4.7	6.8	μH
C _{OUT_BOOST}	Effective output capacitor	22	—	66	μF
V _{BOOST_LOAD_REG}	Transient load regulation (C _{OUT_BOOST} = 22 μF, from 10 mA to 400 mA, di/dt = 200 mA/μs)	—	—	750	mV
V _{BOOST_LOAD_REG}	Transient load regulation (C _{OUT_BOOST} = 22 μF, from 1.0 mA to 20 mA, di/dt = 200 mA/μs)	—	—	500	mV
I _{LIM_BOOST}	Inductor peak current limitation range (OTP_VBSTILIM[1:0] bits)	1.5	2.0	2.75	A
T _{BOOST_ON_MIN}	LS minimum ON time (OTP_VBSTTONTIME[1:0] bits)	40	60	90	ns
		30	50	80	ns
R _{BOOST RON}	LS NMOS RDSon	—	150	280	mΩ
T _{BOOST_SR}	Switching output slew rate (OTP_VBSTSR[1:0] bits by default + VBSTSR[1:0] bits by I2C)	—	500	1500	V/μs
		—	300	750	V/μs
gmEA _{BOOST}	Error amplifier transconductance	3.5	7.0	9.0	μS
V _{BOOST_SLOPE}	Slope compensation (OTP_VBSTSC[3:0] bits)	40	79	110	mV/μs
		70	125	190	mV/μs
		90	160	230	mV/μs
R _{COMP}	Compensation network resistor	500	750	1200	kΩ
		250	500	1000	kΩ
C _{COMP}	Compensation network capacitor	90	125	175	pF
TSD _{BOOST}	Thermal shutdown threshold	160	—	—	°C
TSD _{BOOST_HYST}	Thermal shutdown threshold hysteresis	—	9	—	°C
T _{BOOST_TSD}	Thermal shutdown filtering time	3.0	5.0	8.0	μs

21.5 VBOOST not populated

It is possible to not use the VBOOST when VPRE is configured at 4.1 V or 5.0 V. In this case, the external VBOOST components can be unpopulated to optimize the bill of material. The OTP_BOOSTEN bit shall be programmed to 0 and VBOOST pin must be connected to VPRE. BOOST_LS pin must be left open.

VBOOST must be used when VPRE is configured at 3.3 V or 3.8 V to supply VBOS.

22 Low voltage buck: BUCK1 and BUCK2

22.1 Functional description

BUCK1 and BUCK2 blocks are low voltage, synchronous, valley current mode buck converters with integrated HS PMOS and LS NMOS. BUCK1 and BUCK2 work in force PWM and the output voltage is configurable by OTP from 0.8 V to 1.8 V, the switching frequency is 2.22 MHz and the output current is limited to 3.6 A peak. The input of these blocks must be connected to the output of VPRE. The stability is ensured by an internal Type 2 compensation network with slope compensation.

By default, BUCK1 and BUCK2 switching frequency is derived from the internal oscillator and can be synchronized with an external frequency signal applied on FIN input pin. The change from internal oscillator to external clock or vice versa is controlled by I2C.

BUCK1 and BUCK2 can work independently or in Dual phase mode to double the output current capability. When BUCK1 and BUCK2 are used in dual phase, they must have the same output voltage configuration. Any action like TSD, OV, disable by I2C, on BUCK1 affects BUCK2 and vice versa.

An overcurrent detection and a thermal shutdown are implemented on BUCK1 and BUCK2 to protect the internal MOSFETs. The overcurrent induces a duty cycle reduction that could lead to the output voltage gradually dropping, causing an undervoltage condition.

The ramp up and ramp down of BUCK1 and BUCK2 when they are enabled and disabled is configurable with OTP_DVS_BUCK12[1:0] bits to accommodate multiple MCU soft start requirements. Static Voltage Scaling (SVS) feature is available to decrease the output voltage after power up during INIT_FS Programmable phase shift control is implemented, see [Section 25 "Clock management"](#).

22.2 Application schematic: Single phase mode

In this configuration, BUCK1 and BUCK2 are configured as independent outputs, working independently. Each output is configured and controlled independently by I2C.

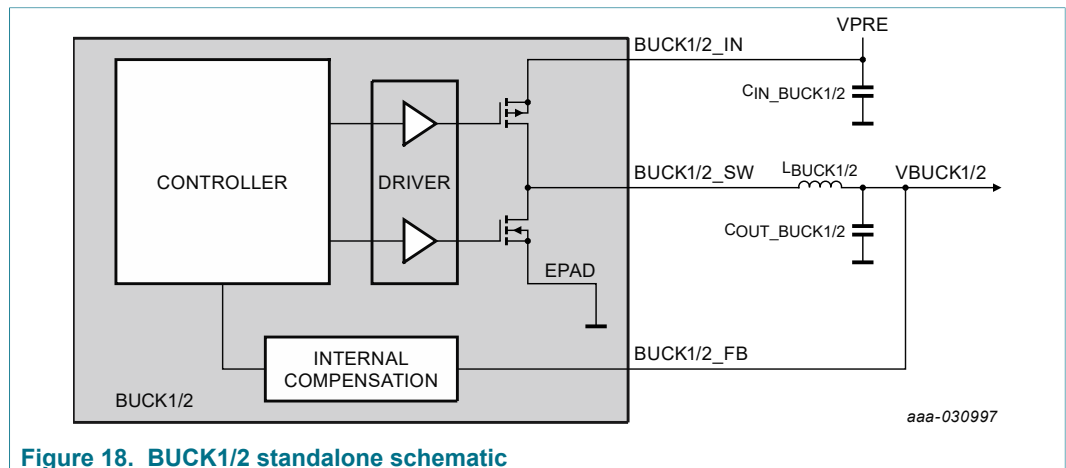


Figure 18. BUCK1/2 standalone schematic

22.3 Application schematic: Dual phase mode

In this configuration, BUCK1 and BUCK2 are configured in dual phase mode to double the output current capability. The dual phase mode is enable with OTP_VB12MULTIPH bit. The PCB layout of BUCK1 phase and BUCK2 must be symmetric for optimum EMC performance.

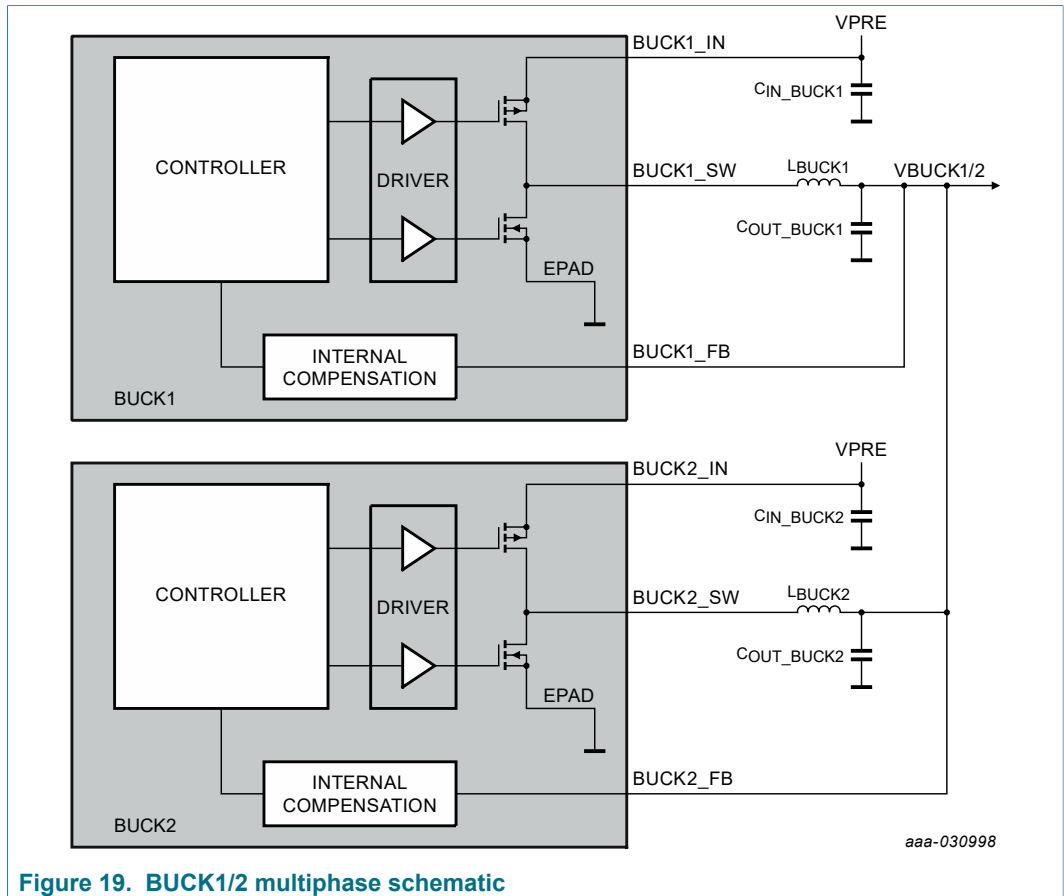


Figure 19. BUCK1/2 multiphase schematic

22.4 Compensation network and stability

The internal compensation network ensures the stability and the transient response performance of the buck converter. The error amplifier gain is configurable with OTP_VBxGMCOMP[2:0] bits for each BUCK 1 and BUCK2 regulators. It is recommended to use the default value that covers most of the use cases.

Decreasing the gain reduces the regulation bandwidth and increase the phase and gain margin but transient performance is degraded. Increasing the gain enlarges the regulation bandwidth and improves the transient performance but the phase and gain margin is degraded.

OTP_VBxINDOPT[1:0] scales the slope compensation and the zero cross detection according to the inductor value. 1.0 μH is the recommended inductor value for BUCK1 and BUCK2.

Use case with $V_{\text{PRE}} = 3.3 \text{ V}$, $V_{\text{BUCK1}} = 1.0 \text{ V}$, $L_{\text{VBUCK1}} = 1.0 \mu\text{H}$, $V_{\text{BUCK1_sw}} = 2.22 \text{ MHz}$, $C_{\text{OUT_BUCK1}} = 44 \mu\text{F}$, default Err Amp gain

Use case stability verification

- Phase margin target $\text{PM} > 45^\circ$ and gain margin target $\text{GM} > 6 \text{ dB}$.

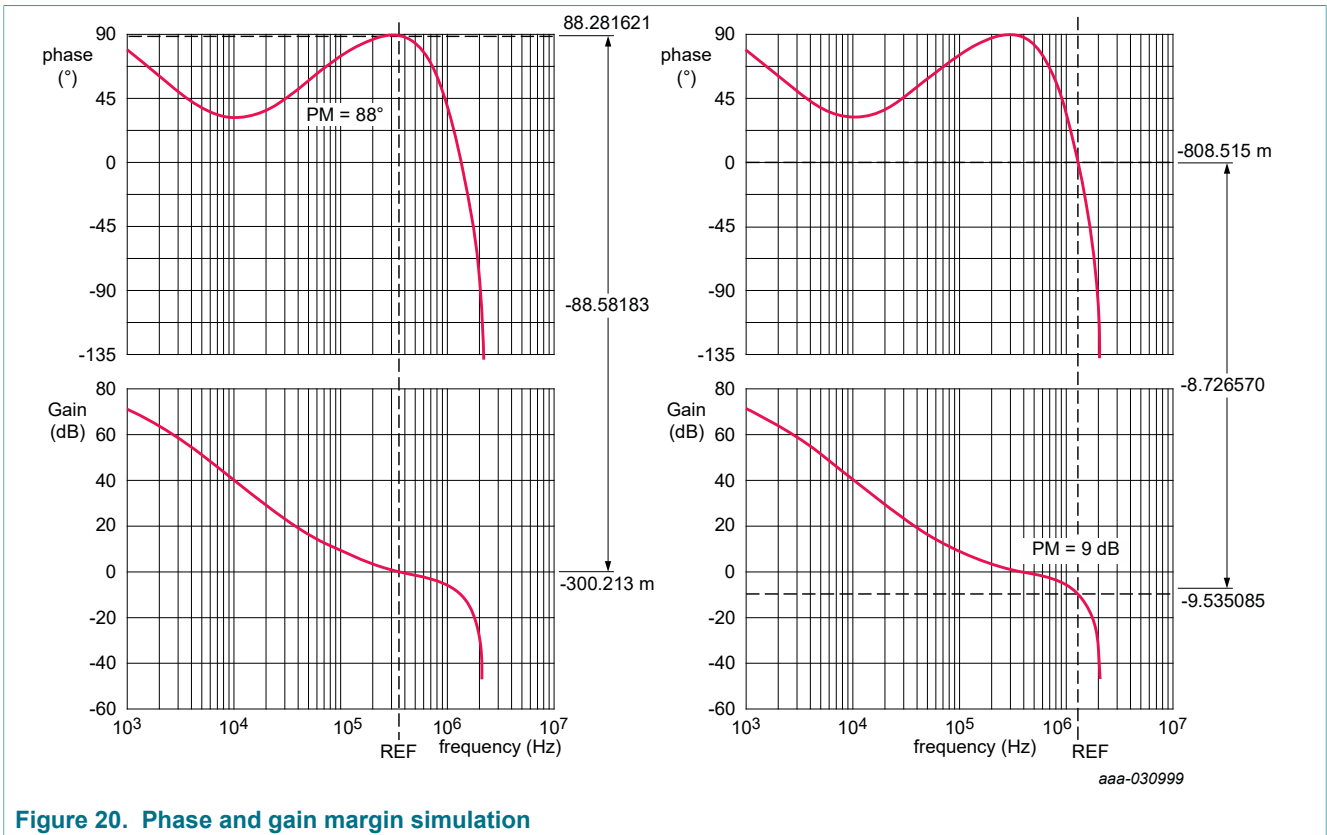


Figure 20. Phase and gain margin simulation

Use case transient response verification

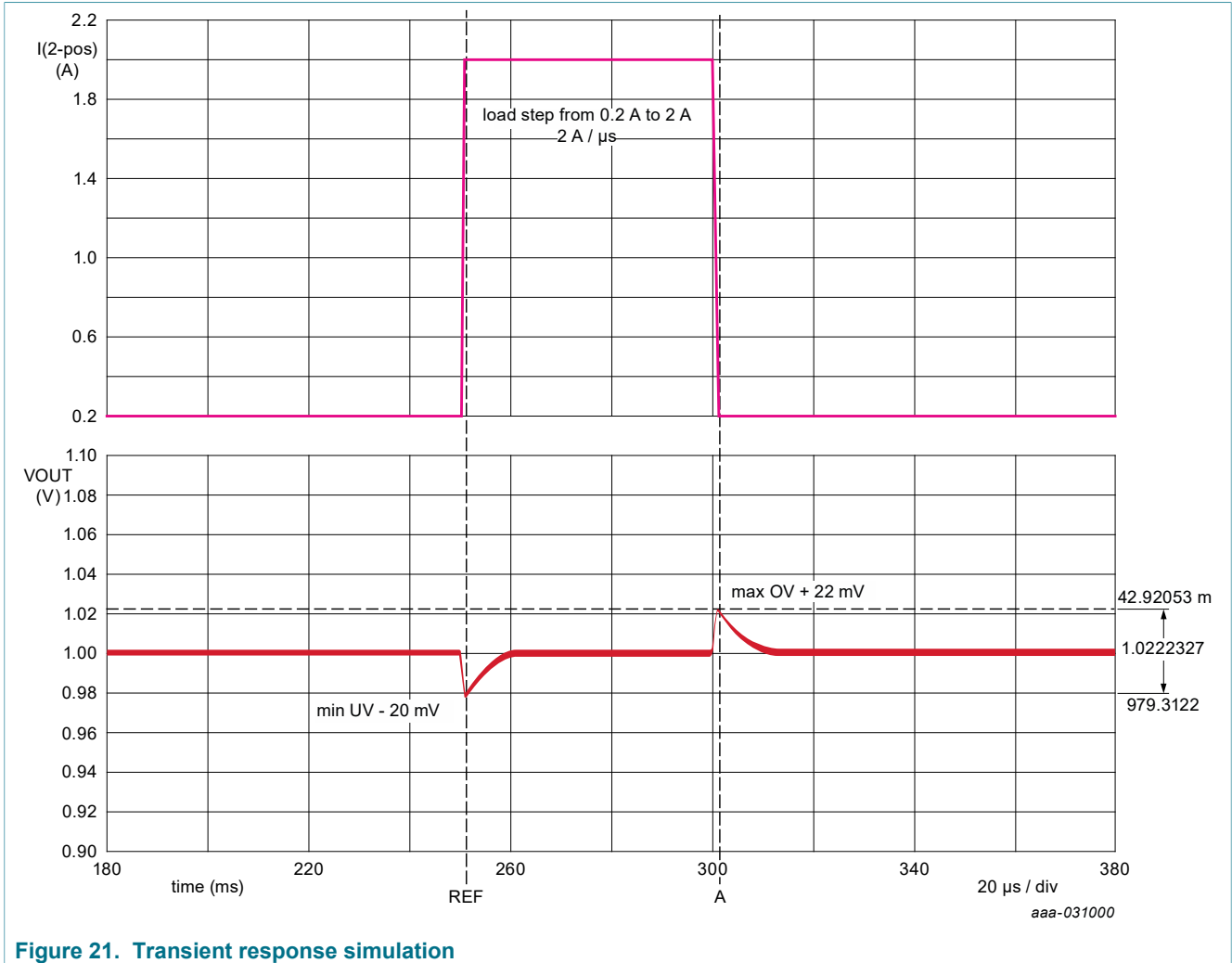


Figure 21. Transient response simulation

22.5 BUCK1 and BUCK2 electrical characteristics

Table 71. BUCK1 and BUCK2 electrical characteristics

$T_A = -40\text{ }^{\circ}\text{C}$ to $125\text{ }^{\circ}\text{C}$, unless otherwise specified. $VSUP = VSUP_UVH$ to 36 V, unless otherwise specified. All voltages referenced to ground.

Symbol	Parameter	Min	Typ	Max	Unit
V_{BUCK12_IN}	Input voltage range	2.5	—	5.5	V
V_{BUCK12}	Output voltage (OTP_VB1V[7:0] and OTP_VB2V[7:0] bits) 0.8 V, 0.825 V, 0.9 V, 0.95 V, 1.0 V, 1.025 V, 1.03125 V, 1.075 V, 1.1 V, 1.1375 V, 1.2 V, 1.25 V, 1.3 V, 1.35 V, 1.4 V, 1.5 V, 1.8 V	0.8	—	1.8	V
I_{BUCK12}	DC output current capability (one phase)	—	—	2.5	A
V_{BUCK12_ACC}	Output voltage accuracy ($I_{OUT} < 2.5\text{ A}$)	-2	—	+2	%
V_{BUCK12_SW}	Switching frequency range	2.1	2.22	2.35	MHz
L_{BUCK12}	Inductor for $V_{BUCK12_SW} = 2.22\text{ MHz}$ (OTP_VB1INDOPT[1:0] and OTP_VB2INDOPT[1:0] bits)	0.47	1.0	1.5	μH

Symbol	Parameter	Min	Typ	Max	Unit
C _{OUT_BUCK12}	Effective Output capacitor	40	—	160	μF
	Output decoupling capacitor	—	0.1	—	μF
C _{IN_BUCK12}	Effective Input capacitor (close to BUCK1_IN and BUCK2_IN pins)	4.7	—	—	μF
	Input decoupling capacitor (close to BUCK1_IN and BUCK2_IN pins)	—	0.1	—	μF
V _{BUCK12_TLR}	Transient load regulation for V _{BUCK12} < 1.2 V (C _{out} = 40 μF, from 200 mA to 1.0 A, di/dt = 2.0 A/μs), single phase (C _{out} = 40 μF, from 400 mA to 2.0 A, di/dt = 4.0 A/μs), dual phase	-25	—	+25	mV
V _{BUCK12_TLR}	Transient load regulation for V _{BUCK12} > 1.2 V (C _{out} = 40 μF, from 200 mA to 1.0 A, di/dt = 2.0 A/μs), single phase (C _{out} = 40 μF, from 400 mA to 2.0 A, di/dt = 4.0 A/μs), dual phase	-3	—	+3	%
I _{LIM_BUCK12}	Inductor peak current limitation range for one phase (OTP_VB1SWILIM[1:0] and OTP_VB2SWILIM[1:0] bits)	3.6	4.5	5.45	A
V _{BUCK12_DVS_UP} (for V _{BUCK12} up to 1.5 V)	Ramp up speed, OTP_DVS_BUCK12[1:0] = 00	5.86	7.81	9.77	mV/μs
	Ramp up speed, OTP_DVS_BUCK12[1:0] = 01	2.34	3.13	3.91	mV/μs
	Ramp up speed, OTP_DVS_BUCK12[1:0] = 10	1.95	2.60	3.26	mV/μs
	Ramp up speed, OTP_DVS_BUCK12[1:0] = 11	1.67	2.23	2.79	mV/μs
V _{BUCK12_DVS_UP} (for V _{BUCK12} = 1.8 V)	Ramp up speed, OTP_DVS_BUCK12[1:0] = 00	7.33	9.763	12.21	mV/μs
	Ramp up speed, OTP_DVS_BUCK12[1:0] = 01	2.93	3.91	4.89	mV/μs
	Ramp up speed, OTP_DVS_BUCK12[1:0] = 10	2.44	3.25	4.08	mV/μs
	Ramp up speed, OTP_DVS_BUCK12[1:0] = 11	2.09	2.79	3.49	mV/μs
V _{BUCK12_DVS_DOWN} (for V _{BUCK12} up to 1.5 V)	Ramp down speed, OTP_DVS_BUCK12[1:0] = 00	3.91	5.21	6.51	mV/μs
	Ramp down speed, OTP_DVS_BUCK12[1:0] = 01	2.34	3.13	3.91	mV/μs
	Ramp down speed, OTP_DVS_BUCK12[1:0] = 10	1.95	2.6	3.26	mV/μs
	Ramp down speed, OTP_DVS_BUCK12[1:0] = 11	1.67	2.23	2.79	mV/μs
V _{BUCK12_DVS_DOWN} (for V _{BUCK12} = 1.8 V)	Ramp down speed, OTP_DVS_BUCK12[1:0] = 00	4.89	6.51	8.14	mV/μs
	Ramp down speed, OTP_DVS_BUCK12[1:0] = 01	2.93	3.91	4.89	mV/μs
	Ramp down speed, OTP_DVS_BUCK12[1:0] = 10	2.44	3.25	4.08	mV/μs
	Ramp down speed, OTP_DVS_BUCK12[1:0] = 11	2.09	2.79	3.49	mV/μs
T _{BUCK12_SOFT_START}	V _{BUCK12_SOFT_START} = V _{BUCK12} / V _{BUCK12_DVS_UP} Soft start for V _{BUCK12} = 1.2 V and OTP_DVS_BUCK12[1:0] = 00	122.9	153.6	204.8	μs
	Soft start for V _{BUCK12} = 1.2 V and OTP_DVS_BUCK12[1:0] = 11 To be recalculated for different V _{BUCK12} and different V _{BUCK12_DVS_UP}	430.1	538.1	718.5	μs
V _{BUCK12_STARTUP}	Overshoot at startup	—	—	50	mV
T _{BUCK12_OFF_MIN}	HS minimum OFF time	9	30	54	ns
T _{BUCK12_DT}	Dead time to avoid cross conduction	0.01	3	20	ns
R _{BUCK12_HS_RON}	HS PMOS R _{DSon}	—	—	135	mΩ

Symbol	Parameter	Min	Typ	Max	Unit
R _{BUCK12_LS_RON}	LS NMOS RDson	—	—	80	mΩ
R _{BUCK12_DISch}	Discharge resistance (when BUCK1,2 is disabled)	250	500	1000	Ω
TSD _{BUCK12}	Thermal shutdown threshold	160	—	—	°C
TSD _{BUCK12_HYST}	Thermal shutdown threshold hysteresis	—	9	—	°C
T _{BUCK12_TSD}	Thermal shutdown filtering time	3	5	8	μs

22.6 BUCK1 and BUCK2 efficiency

BUCK1 and BUCK2 efficiency versus current load is given for information based on external component criteria provided and VPRE voltage 4.1 V. If the conditions change, it has to be recalculated with the VR5500_PDTCAL tool. The real efficiency has to be verified by measurement at the application level.

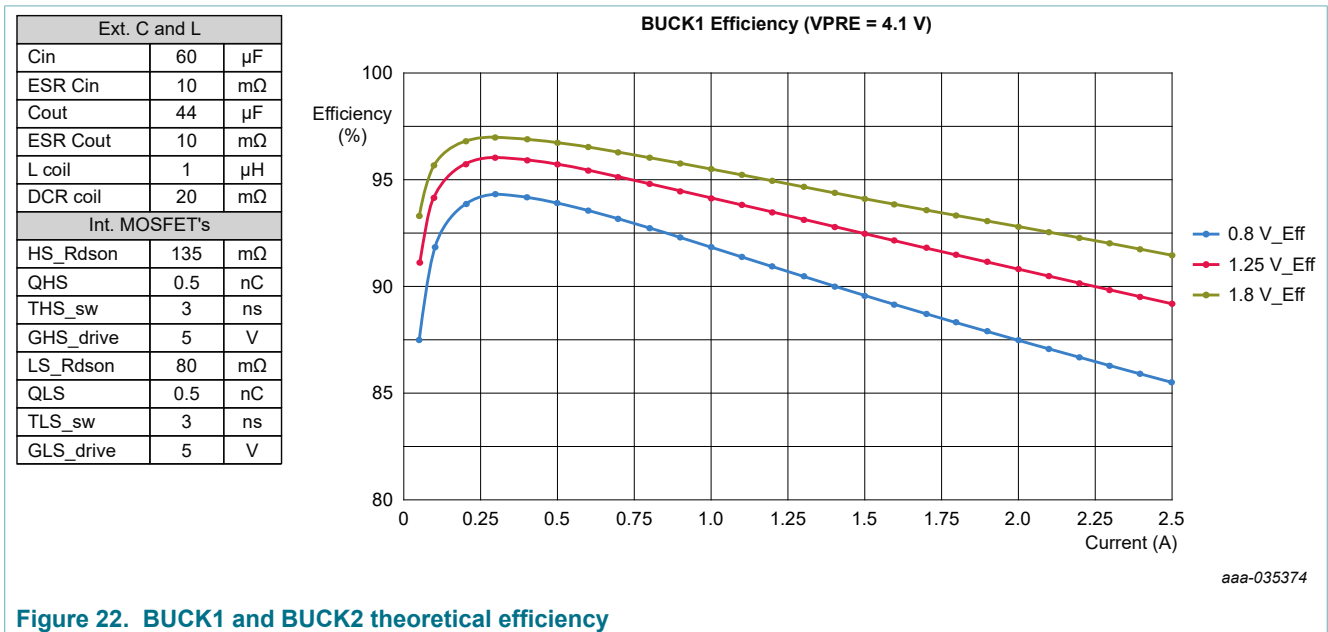


Figure 22. BUCK1 and BUCK2 theoretical efficiency

23 Low voltage buck: BUCK3

23.1 Functional description

BUCK3 block is a low voltage, synchronous, peak current mode buck converter with integrated HS PMOS and LS NMOS. BUCK3 works in force PWM and the output voltage is configurable by OTP from 1.0 V to 3.3 V, the switching frequency is 2.22 MHz and the output current is limited to 3.6 A peak. The input of this block can be connected to the output of VPRE or VBOOST when VBOOST = 5.0 V only. The stability is ensured by an internal Type 2 compensation network with slope compensation.

By default, BUCK3 switching frequency is derived from the internal oscillator, and can be synchronized with an external frequency signal applied on FIN input pin. The change from internal oscillator to external clock or vice versa is controlled by I2C.

An overcurrent detection and a thermal shutdown are implemented on BUCK3 to protect the internal MOSFETs. The overcurrent induces a duty cycle reduction that could lead to the output voltage gradually dropping, causing an undervoltage condition.

BUCK3 is part number dependent according to OTP_BUCK3EN bit. BUCK3_INQ pin, used to bias internal BUCK3 driver, and must be connected to the same source pin than BUCK3_IN pin. The ramp up and ramp down of BUCK3 when it is enabled and disabled is configurable with OTP_DVS_BUCK3[1:0] bits to accommodate multiple MCU soft start requirements.

Programmable phase shift control is implemented, see [Section 25 "Clock management"](#).

23.2 Application schematic

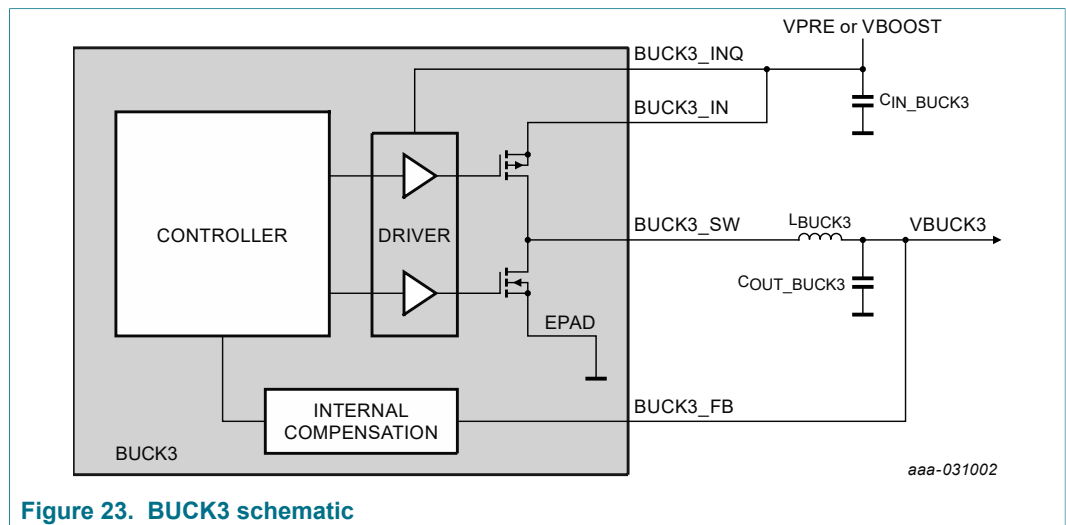


Figure 23. BUCK3 schematic

23.3 Compensation network and stability

The internal compensation network ensures the stability and the transient response performance of the buck converter. OTP_VB3INDOPT[1:0] scales the slope compensation and the zero cross detection according to inductor value. 1.0 μH is the recommended inductor value for BUCK3.

Use case with $V_{\text{PRE}} = 3.3 \text{ V}$, $V_{\text{BUCK3}} = 2.3 \text{ V}$, $L_{\text{VBUCK3}} = 1.0 \mu\text{H}$, $F_{\text{BUCK3_SW}} = 2.22 \text{ MHz}$, $C_{\text{OUT_BUCK3}} = 44 \mu\text{F}$

Use case stability verification

- Phase margin target $\text{PM} > 45^\circ$ and gain margin target $\text{GM} > 6 \text{ dB}$.

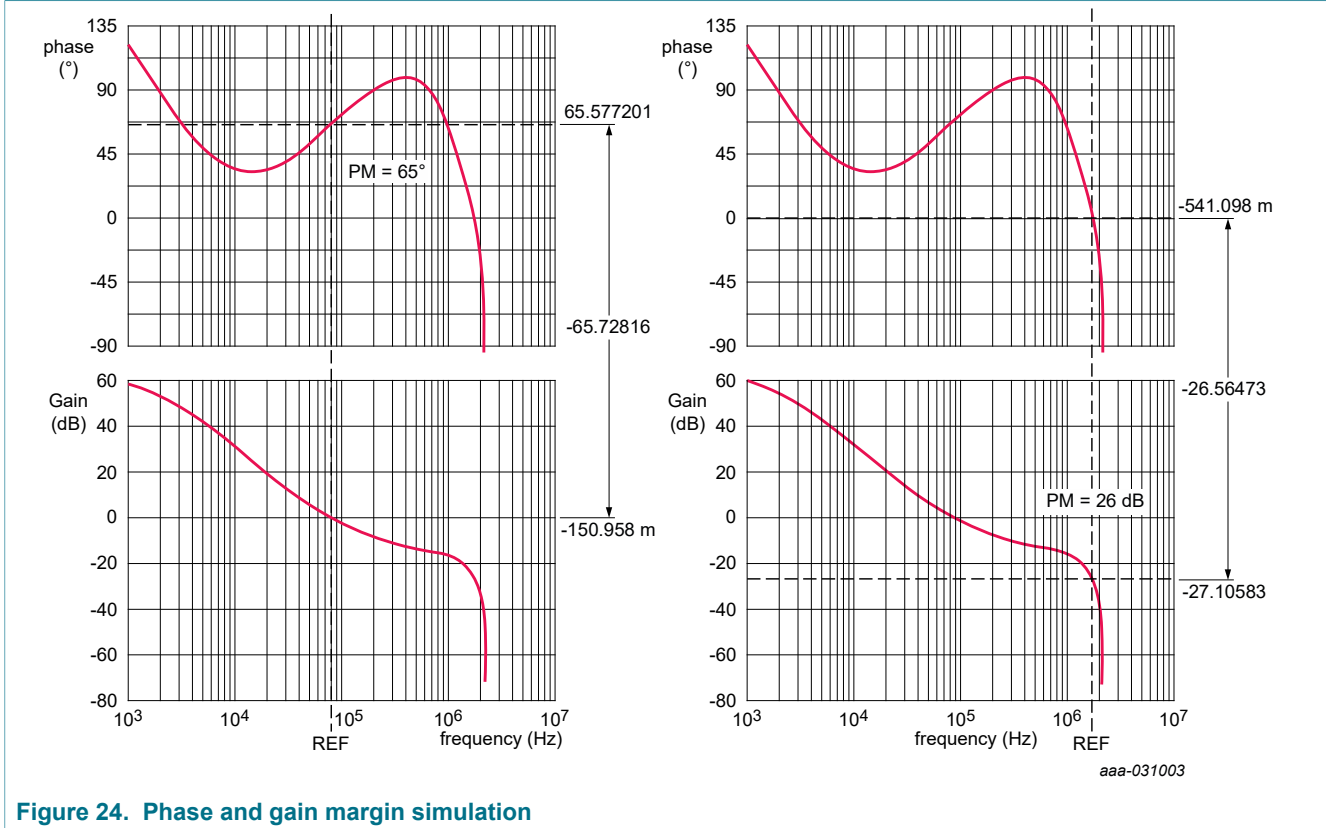


Figure 24. Phase and gain margin simulation

Use case transient response verification

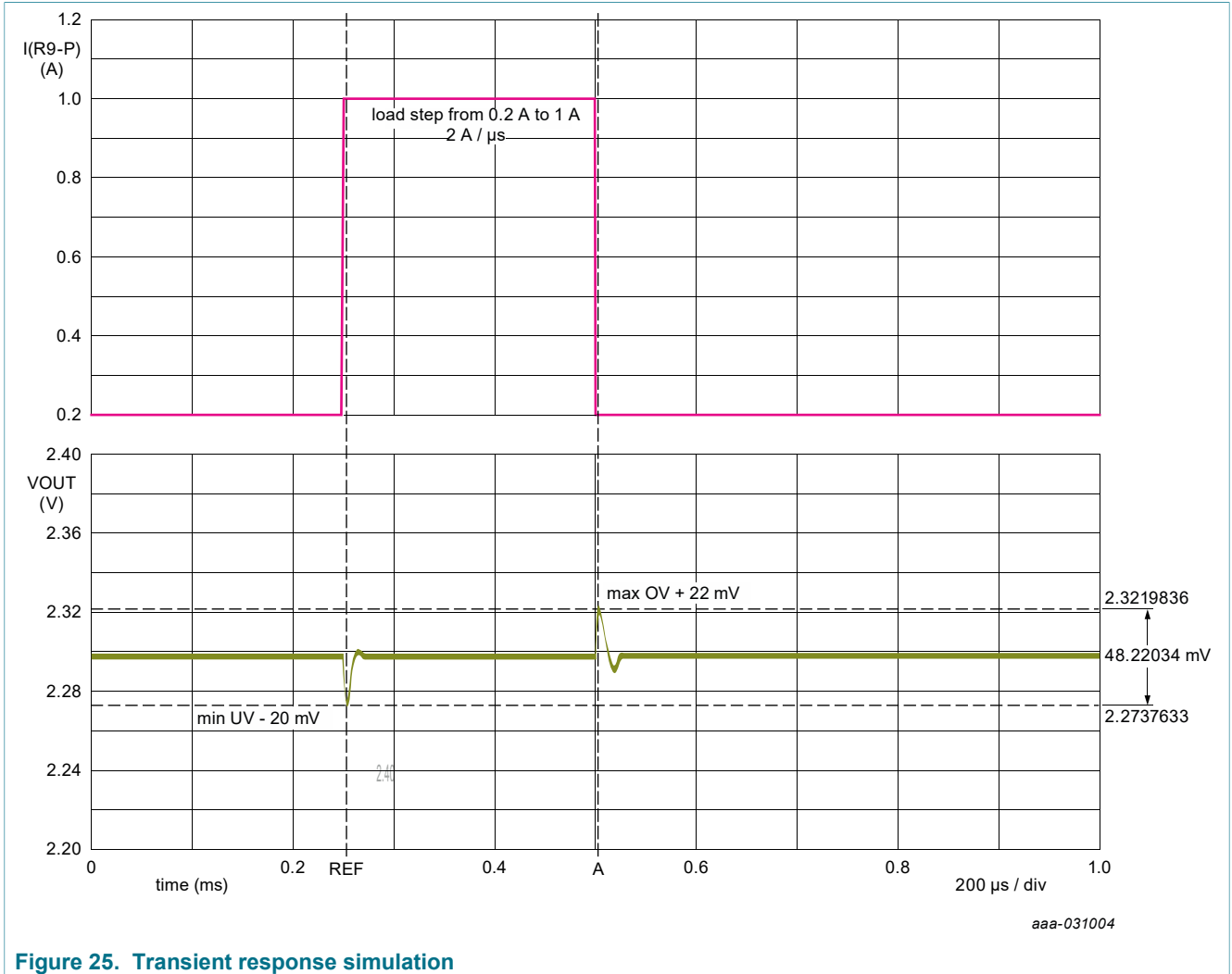


Figure 25. Transient response simulation

23.4 BUCK3 electrical characteristics

Table 72. BUCK3 electrical characteristics

$T_A = -40\text{ }^\circ\text{C}$ to $125\text{ }^\circ\text{C}$, unless otherwise specified. $VSUP = VSUP_UVH$ to 36 V, unless otherwise specified. All voltages referenced to ground.

Symbol	Parameter	Min	Typ	Max	Unit
V_{BUCK3_IN}	Input voltage range	2.5	—	5.5	V
V_{BUCK3}	Output voltage (OTP_VB3V[4:0] bits) 1.0 V, 1.1 V, 1.2 V, 1.25 V, 1.3 V, 1.35 V, 1.5 V, 1.6 V, 1.8 V, 2.3 V, 2.5 V, 2.8 V, 3.3 V	1.0	—	3.3	V
I_{BUCK3}	DC output current capability	—	2.5	—	A
V_{BUCK3_ACC}	Output voltage accuracy ($I_{out} < 2.5\text{ A}$)	-2	—	+2	%
V_{BUCK3_SW}	Switching frequency range	2.1	2.22	2.35	MHz
L_{BUCK3}	Inductor for $V_{BUCK3_SW} = 2.22\text{ MHz}$ (OTP_VB3INDOPT[1:0] bits)	0.47	1.0	1.5	μH
C_{OUT_BUCK3}	Effective output capacitor	40	—	120	μF
	Output decoupling capacitor	—	0.1	—	μF

Symbol	Parameter	Min	Typ	Max	Unit
C _{IN_BUCK3}	Effective input capacitor (close to BUCK3_IN pin)	4.7	—	—	μF
	Input decoupling capacitor (close to BUCK3_IN pin)	—	0.1	—	μF
V _{BUCK3_TLR}	Transient load regulation (C _{out} = 40 μF, from 200 mA to 1.0 A, di/dt = 2.0 A/μs)	-50	—	+50	mV
I _{LIM_BUCK3}	Inductor peak current limitation range (OTP_VB3SWILIM[1:0] bits)	2.0	2.6	3.1	A
		3.6	4.5	5.45	A
T _{BUCK3_ON_MIN}	HS minimum ON time	5	50	80	ns
V _{BUCK3_DVS_UP_DOWN}	Ramp up and ramp down speed, OTP_DVS_BUCK3[1:0] = 00	7.81	10.42	13.02	mV/μs
	Ramp up and ramp down speed, OTP_DVS_BUCK3[1:0] = 01	2.6	3.47	4.34	mV/μs
	Ramp up and ramp down speed, OTP_DVS_BUCK3[1:0] = 10	1.95	2.6	3.26	mV/μs
	Ramp up and ramp down speed, OTP_DVS_BUCK3[1:0] = 11	1.56	2.08	2.60	mV/μs
T _{BUCK3_SOFT_START}	V _{BUCK3_SOFT_START} = V _{BUCK3} / V _{BUCK3_DVS_UP} Soft start for V _{BUCK3} = 1.8 V and OTP_DVS_BUCK3[1:0] = 00	84.8	105.6	140.08	μs
	Soft start for V _{BUCK3} = 1.8 V and OTP_DVS_BUCK3[1:0] = 11 To be recalculated for different V _{BUCK3} and different V _{BUCK3_DVS_UP_DOWN}	422.4	528	704	μs
V _{BUCK3_STARTUP}	Overshoot at startup	—	—	50	mV
T _{BUCK3_DT}	Dead time to avoid cross conduction	0.01	3	20	ns
R _{BUCK3_HS_RON}	HS PMOS R _{DSon}	—	—	135	mΩ
R _{BUCK3_LS_RON}	LS NMOS R _{DSon}	—	—	80	mΩ
R _{BUCK3_DISCH}	Discharge resistance (when BUCK3 is disabled)	250	500	1000	Ω
TSD _{BUCK3}	Thermal shutdown threshold	160	—	—	°C
TSD _{BUCK3_HYST}	Thermal shutdown threshold hysteresis	—	9	—	°C
T _{BUCK3_TSD}	Thermal shutdown filtering time	3	5	8	μs

23.5 BUCK3 efficiency

BUCK3 efficiency versus current load is given for information based on external component criteria provided and V_{PRE} voltage 4.1 V. If the conditions change, it has to be recalculated with the VR5500_PDTCAL tool. The real efficiency has to be verified by measurement at the application level.

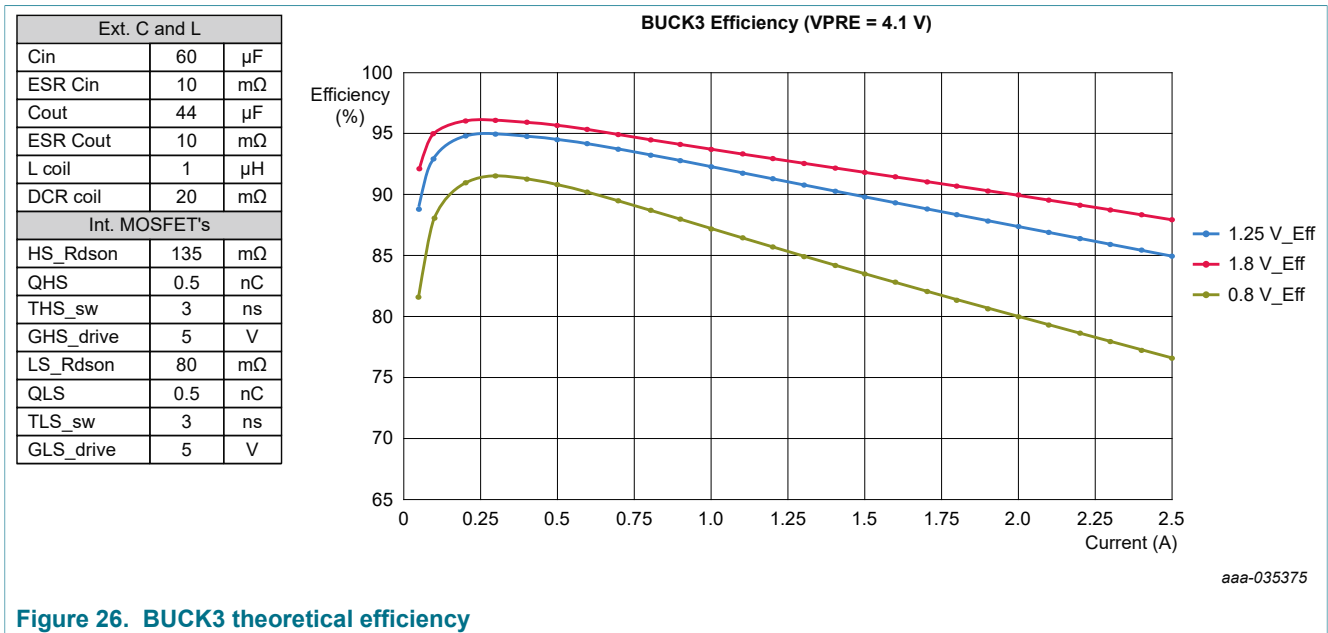


Figure 26. BUCK3 theoretical efficiency

24 Linear voltage regulator: LDO1, LDO2

24.1 Functional description

LDO1 and LDO2 blocks are two linear voltage regulators. The output voltage is configurable by OTP from 1.1 V to 5.0 V. A minimum voltage drop is required depending on the output current capability (0.5 V for 150 mA and 1.0 V for 400 mA). The LDO current capability is linear with the voltage drop and can be estimated to $I(\text{mA}) = 500 \times V_{\text{LDO12_DROP}} - 100$ for intermediate voltage drop between 0.5 V and 1.0 V.

LDO1 input supply is externally connected to VPRES, VBOOST, or another supply. LDO2 input supply is internally connected to the output of VBOOST. An overcurrent detection and a thermal shutdown are implemented on LDO1 and LDO2 to protect the internal pass device.

24.2 Application schematics

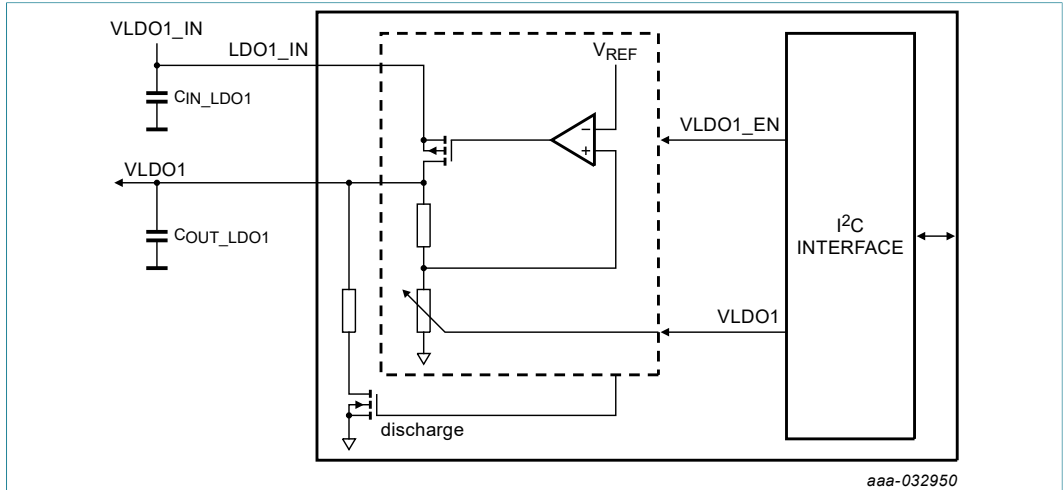


Figure 27. LDO1 block diagram

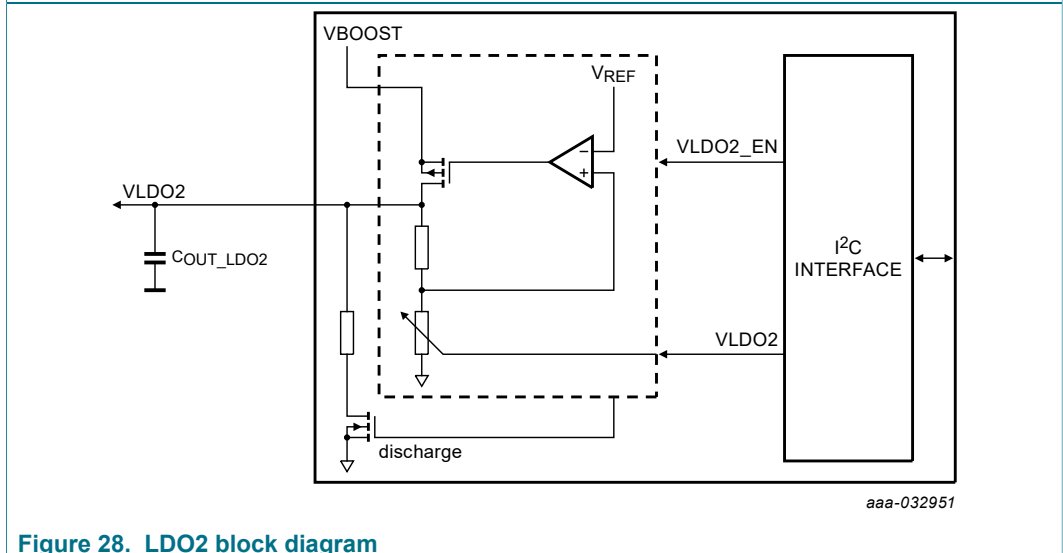


Figure 28. LDO2 block diagram

24.3 LDO1 and LDO2 electrical characteristics

Table 73. LDO1 and LDO2 electrical characteristics

$T_A = -40\text{ }^{\circ}\text{C}$ to $125\text{ }^{\circ}\text{C}$, unless otherwise specified. $VSUP = VSUP_UVH$ to 36 V, unless otherwise specified. All voltages referenced to ground.

Symbol	Parameter	Min	Typ	Max	Unit
V_{LDO12_IN}	Input voltage range	2.5	—	6.5	V
V_{LDO12}	Output voltage (OTP_VLDO1V[2:0] and OTP_LDO2V[2:0] bits) 1.1 V, 1.2 V, 1.6 V, 1.8 V, 2.5 V, 2.8 V, 3.3 V, 5.0 V	1.1	—	5.0	V
$V_{LDO12_ACC_150}$	Output voltage accuracy, 150 mA current capability	-2	—	+2	%
$V_{LDO12_ACC_400}$	Output voltage accuracy, 400 mA current capability	-3	—	+3	%
$V_{LDO12_DROP_150}$	Minimum voltage drop for 150 mA current capability	0.5	—	—	V
$V_{LDO12_DROP_400}$	Minimum voltage drop for 400 mA current capability	1.0	—	—	V
C_{IN_LDO1}	Input capacitor (close to LDO1_IN pin)	1.0	—	—	μF
$C_{OUT_LDO12_150}$	Output capacitor, 150 mA current capability	4.7	—	10	μF
$C_{OUT_LDO12_400}$	Output capacitor, 400 mA current capability	6.8	—	10	μF
C_{OUT_LDO12}	Output decoupling capacitor	0.1	—	—	μF
$V_{LDO12_LTR_150}$	Transient load regulation (from 10 mA to 150 mA in 2.0 μs)	-4	—	+4	%
$V_{LDO12_LTR_400}$	Transient load regulation (from 10 mA to 400 mA in 4.0 μs)	-5	—	+5	%
V_{LDO12_LR}	Line regulation	—	—	0.5	%
$V_{LDO12_ILIM_150}$	Current limitation, 150 mA current capability (OTP_LDO1ILIM and OTP_LDO2ILIM bits)	200	280	500	mA
$V_{LDO12_ILIM_400}$	Current limitation, 400 mA current capability (OTP_LDO1ILIM and OTP_LDO2ILIM bits)	430	560	800	mA
$V_{LDO12_SOFT_START}$	Soft start (enable to 90 %)	—	1.0	1.3	ms
$V_{LDO12_STARTUP}$	Overshoot at startup	—	—	2	%
R_{LDO12_DISCH}	Discharge resistance (when LDO1,2 is disabled)	10	20	60	Ω
TSD_{LDO12}	Thermal shutdown threshold	160	—	—	$^{\circ}\text{C}$
TSD_{LDO12_HYST}	Thermal shutdown threshold hysteresis	—	9	—	$^{\circ}\text{C}$
T_{LDO12_TSD}	Thermal shutdown filtering time	3	5	8	μs

25 Clock management

25.1 Clock description

The clock management block is made of the internal oscillator, the Phase Locked Loop (PLL) and multiple dividers. This block manages the clock generation for the internal digital state machines, the switching regulators, and the external clock synchronization.

The internal oscillator is running at 20 MHz by default after startup. The frequency is programmable by I2C and a spread spectrum feature can be activated by I2C to reduce the emission of the oscillator fundamental frequency.

VPRE switching frequency is coming from CLK2 (455 kHz) or CLK1 (2.22 MHz). BUCK1,2,3 and BOOST switching frequency is coming from CLK1 (2.22 MHz). The switching regulators can be synchronized with an external frequency coming from FIN pin. A dedicated watchdog monitoring is implemented to verify and report the correct FIN frequency range. Different clocks can be sent to FOUT pin to synchronize an external IC or for diagnostic.

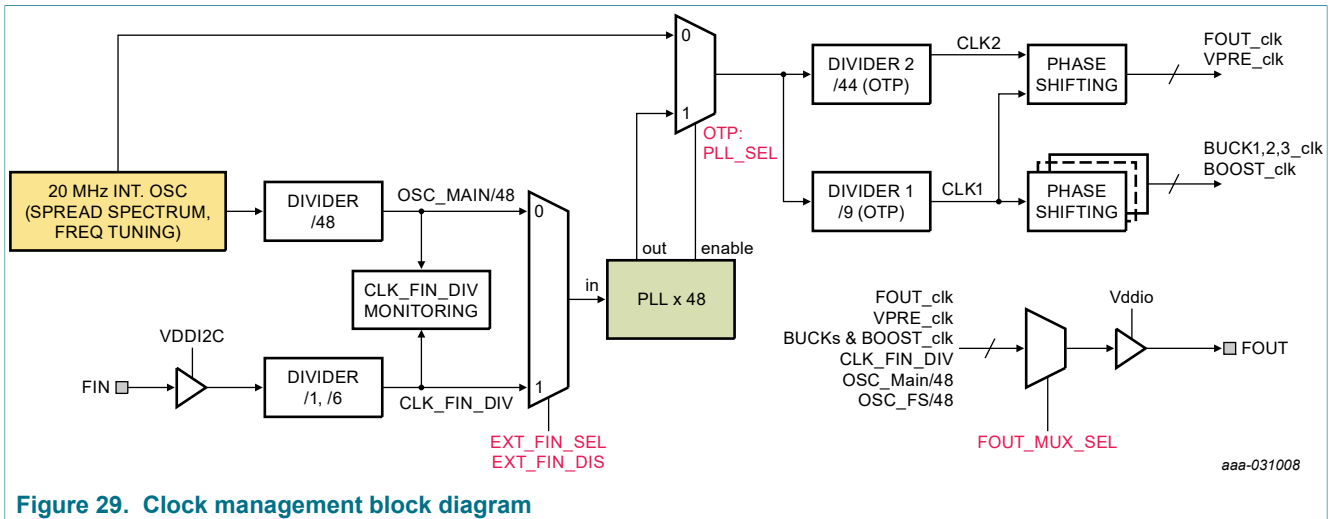


Figure 29. Clock management block diagram

25.2 Phase shifting

The clocks of the switching regulators (VPRE_clk, BOOST_clk, BUCK1_clk, BUCK2_clk and BUCK3_clk) can be delayed in order to avoid all the regulators to turn ON at the same time to reduce peak current and improve EMC performance.

Each clock of each regulator can be shifted from 1 to 7 clock cycles of CLK running at 20 MHz what corresponds to 50 ns. The phase shift configuration is done by OTP configuration using OTP_VPRE_ph[2:0], OTP_VBST_ph[2:0], OTP_BUCK1_ph[2:0], OTP_BUCK2_ph[2:0], and OTP_BUCK3_ph[2:0].

VPRE and BUCK3 have a peak current detection architecture. The PWM synchronizes the turn ON of the high-side switch. BUCK1 and BUCK2 have a valley current detection architecture. The PWM synchronizes the turn ON of the low-side switch.

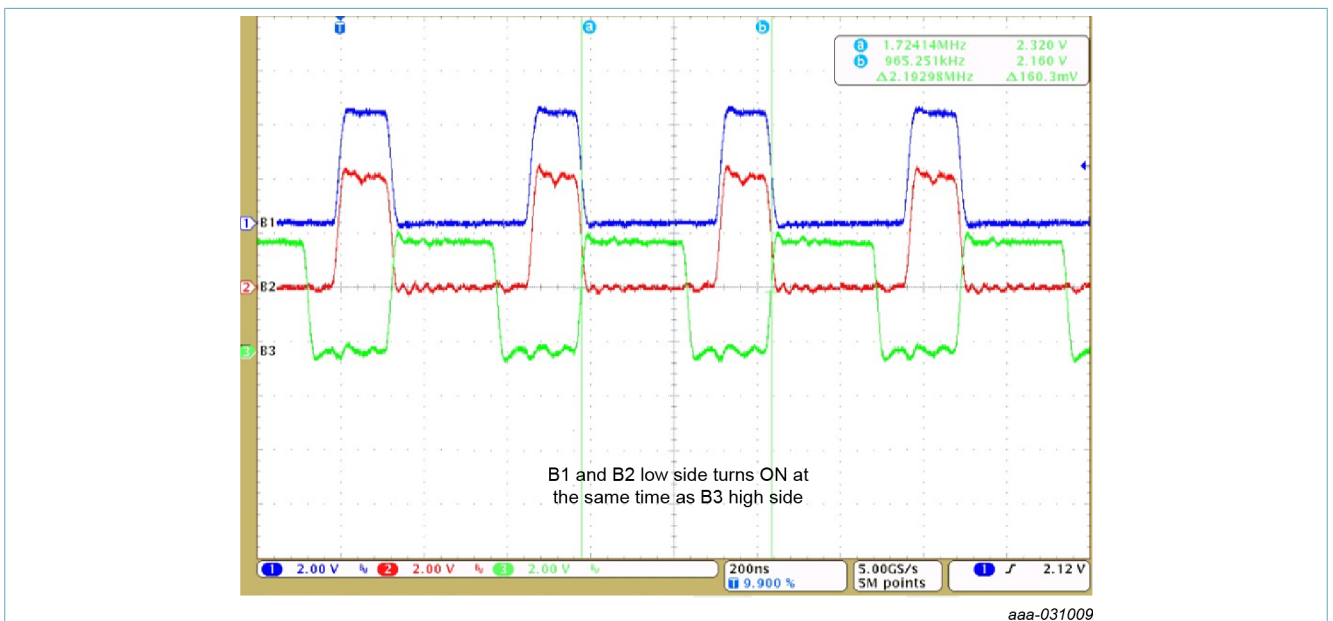


Figure 30. BUCK1,2,3_clk = 2.22 MHz without clock phase shifting

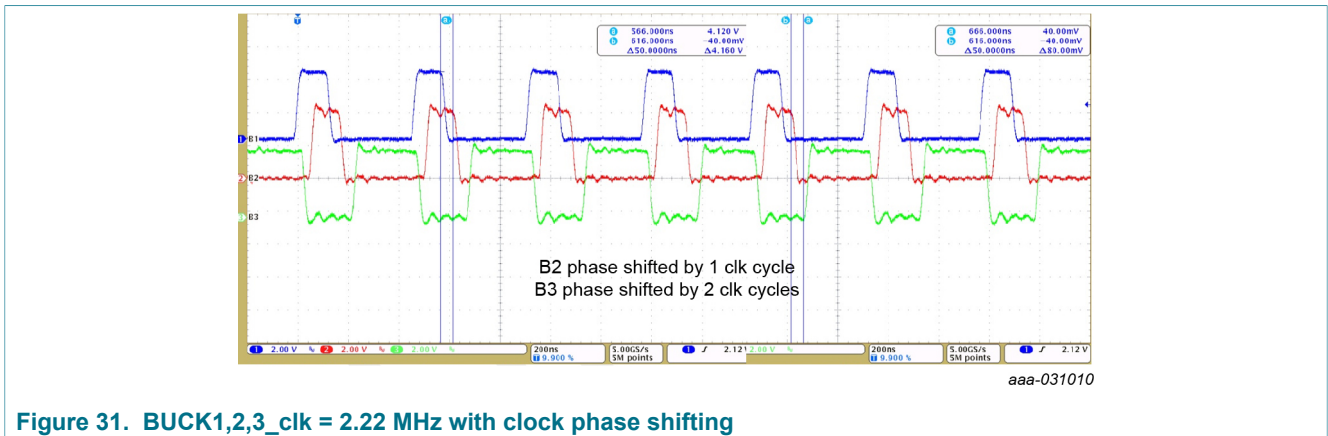


Figure 31. BUCK1,2,3_clk = 2.22 MHz with clock phase shifting

25.3 Manual frequency tuning

The internal oscillator frequency, 20 MHz by default, can be programmed from 16 MHz to 24 MHz with 1.0 MHz frequency step by I2C. The oscillator functionality is guaranteed for frequency increment of one step at a time in either direction, with a minimum of 10 μ s between two steps. For any unused code of the CLK_TUNE [3:0] bits, the internal oscillator is set at the default 20 MHz frequency.

To change the internal oscillator frequency from 20 MHz to 24 MHz, four I2C commands are required with 10 μ s wait time between each command (21 MHz – wait 10 μ s – 22 MHz – wait 10 μ s – 23 MHz – wait 10 μ s – 24 MHz). To change the internal oscillator frequency from 24 MHz to 16 MHz, eight I2C commands are required with 10 μ s wait time between each command (23 MHz – wait 10 μ s – 22 MHz – wait 10 μ s – 21 MHz – wait 10 μ s – 20 MHz – wait 10 μ s – 19 MHz – wait 10 μ s – 18 MHz – wait 10 μ s – 17 MHz – wait 10 μ s – 16 MHz).

Table 74. Manual frequency tuning configuration

CLK_TUNE [3:0]	Oscillator frequency [MHz]
0000 (default)	20
0001	21
0010	22
0011	23
0100	24
1001	16
1010	17
1011	18
1100	19
Reset condition	POR

25.4 Spread spectrum

The internal oscillator can be modulated with a triangular carrier frequency of 23 kHz or 94 kHz with ± 5 % deviation range around the oscillator frequency. The spread spectrum feature can be activated by I2C with the MOD_EN bit and the carrier frequency can be selected by I2C with the MOD_CONF bit. By default, the spread spectrum is disabled.

The spread spectrum and the manual frequency tuning functions cannot be used at the same time.

The main purpose of the spread spectrum is to improve the EMC performance by spreading the energy of the internal oscillator and VPRE frequency on VBAT frequency spectrum. It is recommended to select 23 kHz carrier frequency when VPRE is configured at 455 kHz and 94 kHz when VPRE is configured at 2.2 MHz for the best performance.

25.5 External clock synchronization

To synchronize the switching regulators with an external frequency coming from FIN pin, the PLL is enabled with OTP_PLL_SEL bit. The FIN pin accepts two ranges of frequency depending on the divider selection to always have CLK clock at the output of the PLL in the working range of the digital blocks from 16 MHz to 24 MHz. When FIN_DIV = 0, the input frequency range must be between 333 kHz and 500 kHz. When FIN_DIV = 1, the input frequency range must be between 2.0 MHz and 3.0 MHz.

After the FIN clock divider configuration with FIN_DIV bit, the FIN clock is routed to the PLL input with EXT_FIN_SEL bit. The CLK clock changes from the internal oscillator to FIN external clock with EXT_FIN_SEL bit. So, the configuration procedure is FIN_DIV first, then apply FIN and finally set EXT_FIN_SEL.

If FIN is out of range, CLK clock moves back to the internal oscillator and reports the error using the CLK_FIN_DIV_OK bit. When FIN comes back in the range, the configuration procedure described above is executed again.

The FOUT pin can be used to synchronize an external device with the VR5500. The frequency sent to FOUT is selected by I2C with the FOUT_MUX_SEL [3:0] bits.

Table 75. FOUT multiplexer selection

FOUT_MUX_SEL [3:0]	FOUT multiplexer selection
0000 (default)	No signal, FOUT is low
0001	VPRE_clk
0010	BOOST_clk
0011	BUCK1_clk
0100	BUCK2_clk
0101	BUCK3_clk
0110	FOUT_clk (CLK1 or CLK2 selected with FOUT_CLK_SEL bit)
0111	OSC_MAIN/48 (when PLL is enabled by OTP)
1000	OSC_FS/48
1001	CLK_FIN_DIV
Others	No signal, FOUT is low
Reset condition	POR

25.6 Electrical characteristics

Table 76. Electrical characteristics

$T_A = -40\text{ }^{\circ}\text{C}$ to $125\text{ }^{\circ}\text{C}$, unless otherwise specified. $VSUP = VSUP_UVH$ to 36 V, unless otherwise specified. All voltages referenced to ground.

Symbol	Parameter	Min	Typ	Max	Unit
20 MHz internal oscillator					
$F_{20\text{MHz}}$	Oscillator nominal frequency (programmable)	—	20	—	MHz
$F_{20\text{MHz_ACC}}$	Oscillator accuracy	-6	—	+6	%
$T_{20\text{MHz_step}}$	Oscillator frequency tuning step transition time	—	10	—	μs
Spread spectrum					
FSS_{MOD}	Spread spectrum frequency modulation (MOD_CONF I2C configuration)	—	23	—	kHz
		—	94	—	kHz
FSS_{RANGE}	Spread spectrum range (around the nominal frequency)	-5	—	+5	%
Clock synchronization (FIN)					
$V_{\text{FIN_IN}}$	Input voltage range	—	VDDI2C	—	V
$DC_{\text{FIN_FOUT}}$	FIN and FOUT duty cycle	40	50	60	%
FIN_{RANGE}	FIN input frequency range (FIN_DIV I2C configuration)	333	417	500	kHz
		2.25	2.5	2.75	MHz
FIN_{VIL}	FIN low-voltage threshold	$0.3 \times V_{\text{DDI2C}}$	—	—	V
FIN_{VIH}	FIN high-voltage threshold	—	—	$0.7 \times V_{\text{DDI2C}}$	V
FIN_{HYST}	FIN hysteresis	0.1	—	—	V
FIN_{IPD}	FIN internal pull-down current source	7	10	13	μA
FIN_{DLY}	FIN input buffer propagation delay	—	—	8	ns
$FIN_{\text{ERR_LONG}}$	CLK_FIN_DIV monitoring, long deviation detection	5	—	—	μs
$FIN_{\text{ERR_SHORT}}$	CLK_FIN_DIV monitoring, short deviation detection	—	—	1.5	μs
FIN_{TLOST}	Time to switch to internal oscillator when FIN is lost	—	—	3	μs
Clock synchronization (FOUT)					
$V_{\text{FOUT_OUT}}$	Output voltage range	—	VDDIO	—	V
FOUT_{VOL}	FOUT low-voltage threshold at 2.0 mA	—	—	0.5	V
FOUT_{VOH}	FOUT high-voltage threshold at -2.0 mA	$V_{\text{DDIO}} - 0.5$	—	—	V
I_{FOUT}	3-state leakage current ($V_{\text{DDIO}} = 5.0\text{ V}$)	-1.0	—	1.0	μA
$\text{FOUT}_{\text{TRISE}}$	FOUT rise time (from 20 % to 80 % of VDDIO, $C_{\text{out}} = 30\text{ pF}$)	—	—	20	ns
$\text{FOUT}_{\text{TFALL}}$	FOUT fall time (from 80 % to 20 % of VDDIO, $C_{\text{out}} = 30\text{ pF}$)	—	—	20	ns
$\text{PLL}_{\text{TLOCK}}$	PLL lock time	—	—	90	μs
PLL_{TSET}	PLL settling time (from EXT_FIN_DIS enable to $\pm 1\%$ of output frequency)	—	—	125	μs

26 Analog multiplexer: AMUX

26.1 Functional description

The AMUX pin delivers 32 analog voltage channels to the MCU ADC input. The voltage channels delivered to AMUX pin can be selected by I2C. The maximum AMUX output voltage range is VDDIO. External Rs/Cout components are required for the buffer stability.

26.2 Block diagram

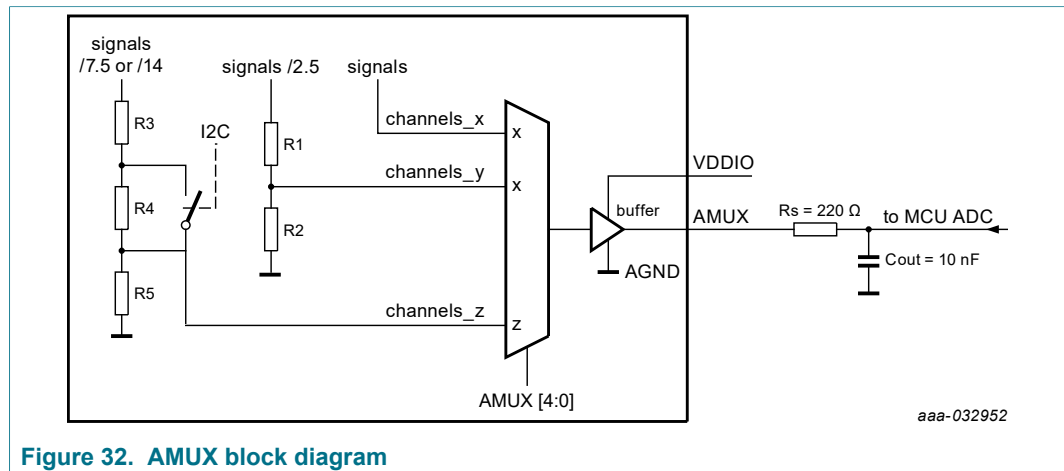


Figure 32. AMUX block diagram

26.3 AMUX channel selection

Table 77. AMUX output selection

AMUX[4:0]	Signal selection for AMUX output
0 0000 (default)	GND
0 0001	VDDIO voltage
0 0010	Temperature sensor : $T(^{\circ}\text{C}) = [(V_{\text{AMUX}} - V_{\text{TEMP25}}) / V_{\text{TEMP_COEFF}}] + 25$
0 0011	Bandgap main: 1.0 V \pm 1 %
0 0100	Bandgap fail-safe: 1.0 V \pm 1 %
0 0101	VBUCK1 voltage
0 0110	VBUCK2 voltage
0 0111	VBUCK3 voltage divided by 2.5
0 1000	VPRE voltage divided by 2.5
0 1001	VBOOST voltage divided by 2.5
0 1010	VLDO1 voltage divided by 2.5
0 1011	VLDO2 voltage divided by 2.5
0 1100	VBOS voltage divided by 2.5
0 1101	Reserved
0 1110	VSUP1 voltage divided by 7.5 or 14 (I2C configuration with bit RATIO)

AMUX[4:0]	Signal selection for AMUX output
0 1111	WAKE1 voltage divided by 7.45 or 13.85 (I2C configuration with bit RATIO)
1 0000	WAKE2 voltage divided by 7.45 or 13.85 (I2C configuration with bit RATIO)
1 0001	Vana: internal main analog voltage supply: 1.6 V \pm 2 %
1 0010	Vdig: internal main digital voltage supply: 1.6 V \pm 2 %
1 0011	Vdig_fs: internal fail-safe digital voltage supply: 1.6 V \pm 2 %
1 0100	PSYNC voltage
Others	Same as default value (00000): GND

26.4 AMUX electrical characteristics

Table 78. AMUX electrical characteristics

$T_A = -40\text{ }^\circ\text{C}$ to $125\text{ }^\circ\text{C}$, unless otherwise specified. $VSUP = VSUP_UVH$ to 36 V, unless otherwise specified. All voltages referenced to ground.

Symbol	Parameter	Min	Typ	Max	Unit
V_{AMUX_VDDIO}	Minimum VDDIO operating voltage for AMUX	3.2	—	—	V
V_{AMUX_IN}	Input voltage range for VSUP, WAKE1, WAKE2 <ul style="list-style-type: none"> Ratio 7.45 and 7.5 Ratio 13.85 and 14 	2.25 4.2	— —	22.5 42	V
I_{AMUX}	Output buffer current capability	—	—	2.0	mA
V_{AMUX_OFF}	Offset voltage (Iout = 1.0 mA)	-7	—	+7	mV
V_{AMUX_RATIO}	Ratio accuracy <ul style="list-style-type: none"> Ratio 1 Ratio 2.5 Ratio 7.5 for VSUP1 Ratio 7.45 for WAKE12 Ratio 14 for VSUP1 Ratio 13.85 for WAKE12 	-0.5 -1.5 -2.0 -2.0 -2.0 -2.0	— — — — — —	0.5 1.5 2.0 2.0 2.0 2.0	%
V_{AMUX_BRIDGE}	VSUP1, WAKE1, WAKE2 resistor bridge	0.75	1.5	3	M Ω
V_{TEMP25}	Temperature sensor voltage at 25 $^\circ\text{C}$	2.01	2.07	2.12	V
V_{TEMP_COEFF}	Temperature sensor coefficient	-6.25	-6	-5.75	mV/ $^\circ\text{C}$
T_{AMUX_SET}	Settling time (from 10 % to 90 % of V_{DDIO} , $R_s = 220\ \Omega$, $C_{out} = 10\ \text{nF}$)	—	—	10	μs
R_s	Output resistor	—	220	—	Ω
C_{out}	Output capacitor	—	10	—	nF

26.5 1.8 V MCU ADC input use case

VR5500 AMUX buffer is referenced to VDDIO, 3.3 V, or 5.0 V. In case the MCU requires a 1.8 V ADC input voltage, an external resistor bridge R1/R2 can be added in between AMUX output and ADC input as shown in [Figure 33](#). It is recommended to use 0.1 % resistor accuracy to limit the conversion error impact.

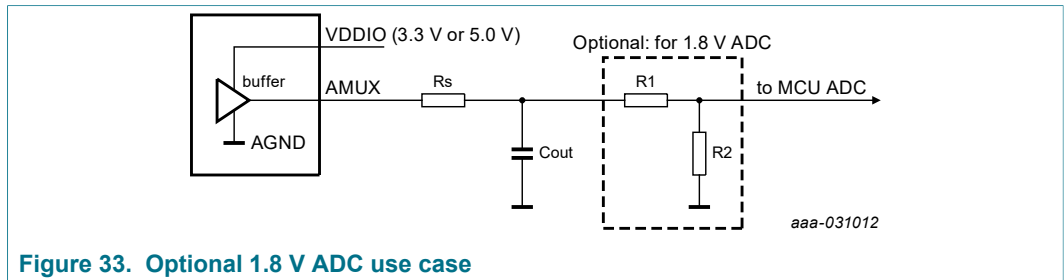


Figure 33. Optional 1.8 V ADC use case

The total resistor bridge value (R1 + R2) shall consume between min 10x ADC input current and max 1 mA at AMUX output to neither disturb the AMUX output buffer nor the ADC input. A good estimate is to calculate the resistor bridge value for 200 µA current consumption at VDDIO = 3.3 V.

Target R1 + R2 = 20 kΩ

For VDDIO = 3.3 V, $R2 / (R1 + R2) = 1.8 / 3.3 = 0.545$

After calculation, R2 = 11 kΩ and R1 = 9.3 kΩ

27 I/O interface pins

27.1 WAKE1, WAKE2

WAKE pins are used to manage the internal biasing of the device and the main state machine transitions.

- When WAKE1 or WAKE2 is > WAKE12_{VIH}, the internal biasing is started and the equivalent digital state is '1'
- When WAKE1 or WAKE2 is < WAKE12_{VIL}, the equivalent digital state is '0'
- When WAKE1 and WAKE2 are < WAKE12_{AVIL}, the internal biasing is stopped if the device was in Standby mode

WAKE1 and WAKE2 are level based wake-up input signals with analog measurement capability through AMUX. WAKE1 can be, for example, connected to a switched VBAT (KL 15 line) and WAKE2 to the wake-up output of a CAN or FlexRay transceiver. When a WAKE pin is used as a global pin, a C-R-C protection is required (see [Section 29 "Application information"](#)).

Table 79. WAKE1, WAKE2 electrical characteristics

$T_A = -40\text{ °C to }125\text{ °C}$, unless otherwise specified. $V_{SUP} = V_{SUP_UVH}$ to 36 V, unless otherwise specified. All voltages referenced to ground.

Symbol	Parameter	Min	Typ	Max	Unit
WAKE12 _{AVIL}	Analog low input voltage threshold	1.0	—	—	V
WAKE12 _{VIL}	Digital low input voltage threshold	2.0	—	—	V
WAKE12 _{VIH}	Digital high input voltage threshold	—	—	4.0	V
I _{WAKE12}	Input current leakage at WAKE12 = 36 V	—	—	100	µA
	Input current leakage at WAKE12 = 60 V	—	—	300	µA
T _{WAKE12}	Filtering time	50	70	100	µs

27.2 INTB

INTB is an open drain output pin with internal pull up to VDDIO. This pin generates a pulse when an internal interrupt occurs to inform the MCU. Each interrupt can be masked by setting the corresponding inhibit interrupt bit in M_INT_MASK registers.

Table 80. INTB electrical characteristics

$T_A = -40\text{ °C}$ to 125 °C , unless otherwise specified. $VSUP = VSUP_UVH$ to 36 V, unless otherwise specified. All voltages referenced to ground.

Symbol	Parameter	Min	Typ	Max	Unit
INTB _{PULL-up}	Internal pull-up resistor to VDDIO	5.5	10	15	kΩ
INTB _{VOL}	Low output level threshold (I = 2.0 mA)	—	—	0.5	V
INTB _{PULSE}	Pulse duration (without manual frequency tuning)	90	100	110	μs

Table 81. List of interrupts from main logic

Interrupt main	Description
VSUP_UV7	VSUP undervoltage 7.0 V
VSUP_UVH	VSUP undervoltage high
VSUP_UVL	VSUP undervoltage low
VBOS_UVH	VBOS undervoltage high
VPRE_OC	VPRE overcurrent
VPRE_FB_OV	VPRE overvoltage protection
VPRE_UVH	VPRE undervoltage high
BUCK1_TSD	BUCK1 overtemperature shutdown event
BUCK1_OC	BUCK1 overcurrent
BUCK2_TSD	BUCK2 over temperature shutdown event
BUCK2_OC	BUCK2 overcurrent
BUCK3_TSD	BUCK3 overtemperature shutdown event
BUCK3_OC	BUCK3 overcurrent
BOOST_TSD	BOOST overtemperature shutdown event
VBOOST_OV	BOOST overvoltage
VBOOST_UVH	BOOST undervoltage high
LDO1_TSD	LDO1 overtemperature shutdown event
LDO1_OC	LDO1 overcurrent
LDO2_TSD	LDO2 overtemperature shutdown event
LDO2_OC	LDO2 overcurrent
WAKE1	WAKE1 transition
WAKE2	WAKE2 transition
COM	I2C communication error

Table 82. List of interrupts from fail-safe logic

Interrupt fail-safe	Description
VCOREMON_OV	VCOREMON overvoltage detected
VCOREMON_UV	VCOREMON undervoltage detected
VDDIO_OV	VDDIO overvoltage detected
VDDIO_UV	VDDIO undervoltage detected
VMON1_OV	VMON1 overvoltage detected
VMON1_UV	VMON1 undervoltage detected

27.3 PSYNC for two VR5500

PSYNC function allows to manage complex startup sequence with multiple power management ICs like two VR5500 (OTP_PSYNC_CFG = 0) or one VR5500 plus one PF82 (OTP_PSYNC_CFG = 1). This function is enabled with the OTP_PSYNC_EN bit.

When PSYNC is used to synchronize two VR5500, PSYNC pins of each device shall be connected together and pulled up to VBOS pin of the VR5500 master device as shown in Figure 34. In this configuration, VR5500 #1 state machine stops before VR5500 #1_VPRE starts and waits for VR5500 #2 to synchronize VR5500#2_VPRE start.

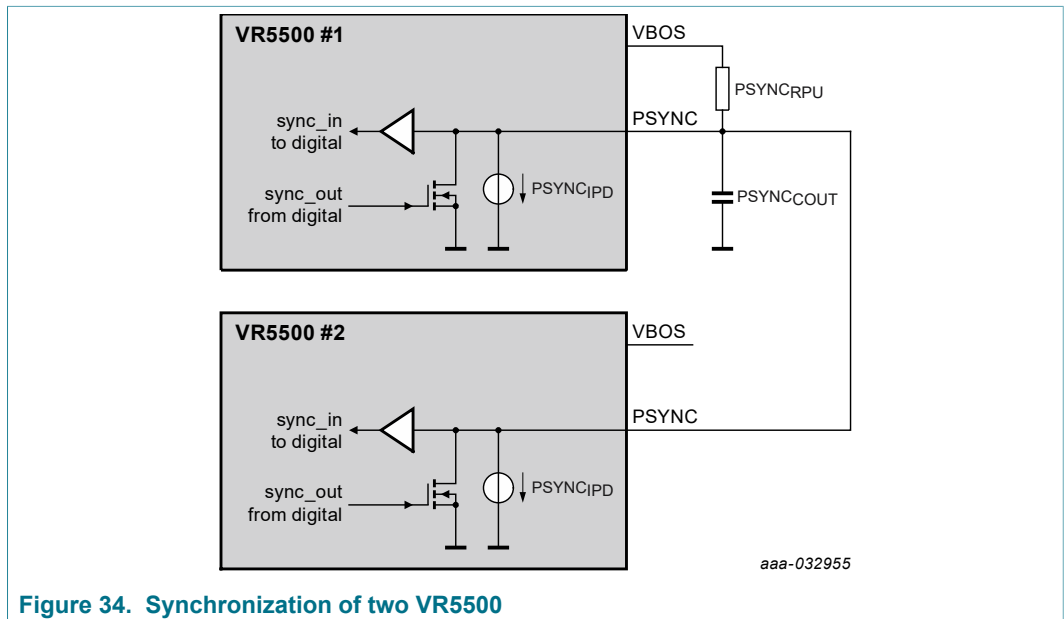
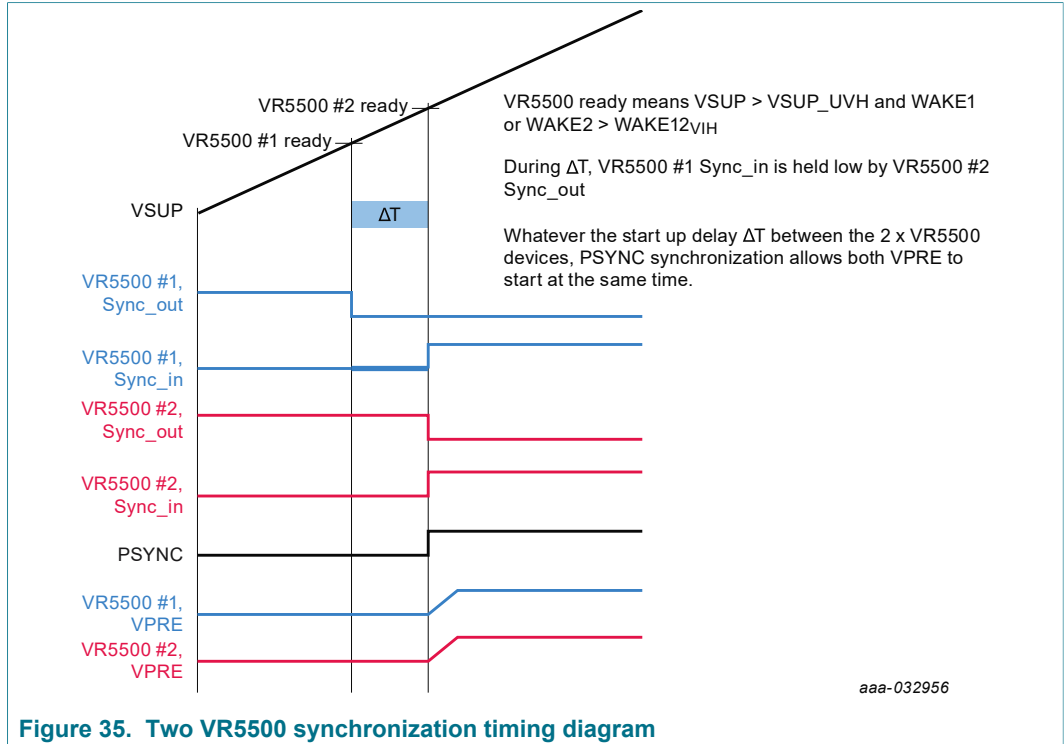


Figure 34. Synchronization of two VR5500

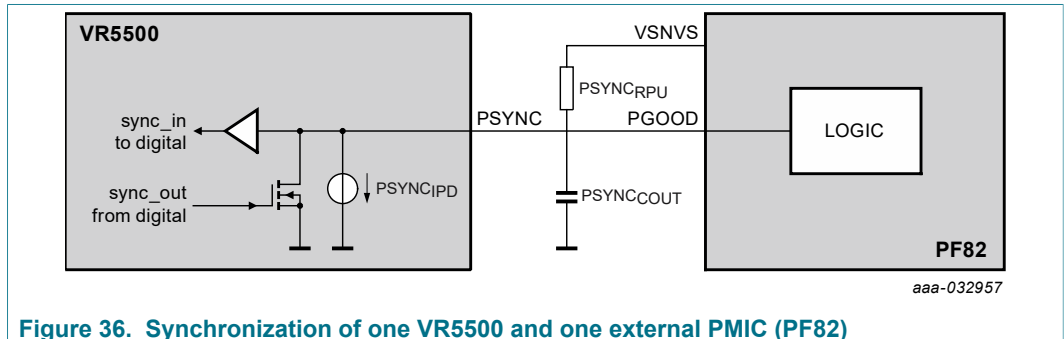


27.4 PSYNC for VR5500 and external PMIC

When PSYNC is used to synchronize one VR5500 and one external PMIC, PSYNC pin of VR5500 is connected to PGOOD pin of the external PMIC.

When the external PMIC is PF82 from NXP, it can be pulled up to VSNVS pin of PF82. In this configuration, VR5500 state machine stops after VPRE starts and waits for the PGOOD pin of the external PMIC to be released to continue its own power sequencing. It allows to synchronize the power up sequence of both devices.

During power-down sequence, VR5500 should wait for the external PMIC power-down sequence completion before turning OFF VPRE (VPRE is powering the external PMIC). OTP_VPRE_off_dly bit is configured to extend VPRE turn OFF delay from 250 μs default value to 32 ms.



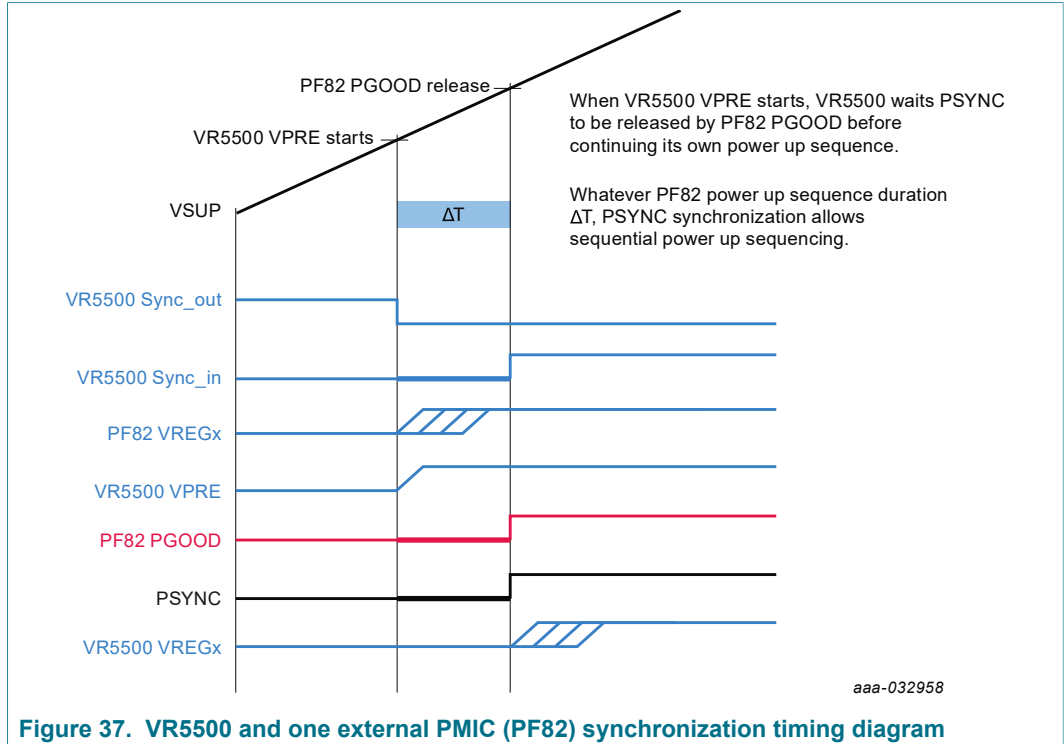


Table 83. PSYNC electrical characteristics

$T_A = -40\text{ }^{\circ}\text{C}$ to $125\text{ }^{\circ}\text{C}$, unless otherwise specified. $VSUP = VSUP_{UVH}$ to 36 V , unless otherwise specified. All voltages referenced to ground.

Symbol	Parameter	Min	Typ	Max	Unit
PSYNC _{VIL}	Low-level input voltage threshold	1.0	—	—	V
PSYNC _{VIH}	High-level input voltage threshold	—	—	2.0	V
PSYNC _{HYST}	Hysteresis	0.1	—	—	V
PSYNC _{VOL}	Low-level output threshold (I = 2.0 mA)	—	—	0.5	V
PSYNC _{IPD}	Internal pull down current source	7.0	10	13	μA
PSYNC _{RPU}	External pull up resistor to VBOS	—	10	—	kΩ
PSYNC _{COUT}	External decoupling capacitor	—	0.1	—	μF
PSYNC _{TFB}	Feedback filtering time	6.0	10	15	μs

28 I2C interface

28.1 I2C interface overview

The VR5500 uses an I2C interface following the high-speed mode definition up to 3.4 Mbit/s. I2C interface protocol requires a device address for addressing the target IC on a multi-device bus. The VR5500 has two device address: one to access the main logic and one to access the fail-safe logic. These two I2C addresses are set by OTP.

The I2C interface is using a dedicated power input pin VDDI2C and it is compatible with 1.8 V / 3.3 V input supply. Timing, diagrams, and further details can be found in the NXP I2C specification UM10204 rev6.

Table 84. I2C message arrangement

B39	B38	B37	B36	B35	B34	B33	B32	B31	B30	B29	B28	B27	B26	B25	B24	
ID_6-0							0	0	0	Adr_5-0						
Device address							Read/Write	Register address								
B23	B22	B21	B20	B19	B18	B17	B16	B15	B14	B13	B12	B11	B10	B9	B8	
Data_15	Data_14	Data_13	Data_12	Data_11	Data_10	Data_9	Data_8	Data_7	Data_6	Data_5	Data_4	Data_3	Data_2	Data_1	Data_0	
Data MSB							Data LSB									
							B7	B6	B5	B4	B3	B2	B1	B0		
							CRC_7	CRC_6	CRC_5	CRC_4	CRC_3	CRC_2	CRC_1	CRC_0		
							CRC_7	CRC_6	CRC_5	CRC_4	CRC_3	CRC_2	CRC_1	CRC_0		

28.2 Device address

The VR5500 has two device address: one to access the Main logic and one to access the Fail-safe logic.

B39	B38	B37	B36	B35	B34	B33
0	1	OTP	OTP	OTP	OTP	M/FS

The I2C addresses have the following arrangement:

- Bit 39: 0
- Bit 38: 1
- Bit 37 to 34: OTP value
- Bit 33: 0 to access the main logic, 1 to access the fail-safe logic

28.3 Cyclic redundant check

An 8 bit CRC is required for each Write and Read I2C command. Computation of a cyclic redundancy check is derived from the mathematics of polynomial division, modulo two.

The CRC polynomial used is $x^8+x^4+x^3+x^2+1$ (identified by 0x1D) with a SEED value of hexadecimal '0xFF'

The following table shows an example of CRC encoding HW implementation:

CRC calculation using XOR:

$$\begin{aligned}
 \text{CRC}_7 &= \text{XOR} (\text{B38, B35, B32, B31, B24, B23, B22, B20, B17, B13, B12, B11, 1, 1, 1}) \\
 \text{CRC}_6 &= \text{XOR} (\text{B37, B34, B23, B22, B21, B19, B16, B12, B11, B10, 1, 1}) \\
 \text{CRC}_5 &= \text{XOR} (\text{B39, B36, B33, B30, B29, B22, B21, B20, B18, B15, B11, B10, B9, 1, 1, 1}) \\
 \text{CRC}_4 &= \text{XOR} (\text{B39, B38, B35, B32, B29, B28, B21, B20, B19, B17, B14, B10, B9, B8, 1, 1, 1, 1}) \\
 \text{CRC}_3 &= \text{XOR} (\text{B37, B35, B34, B32, B28, B27, B24, B23, B22, B19, B18, B17, B16, B12, B11, B9, B8, 1, 1, 1, 1}) \\
 \text{CRC}_2 &= \text{XOR} (\text{B39, B38, B36, B35, B34, B33, B32, B27, B26, B24, B21, B20, B18, B16, B15, B13, B12, B10, B8, 1,1,1,1,1,1,1}) \\
 \text{CRC}_1 &= \text{XOR} (\text{B37, B34, B33, B26, B25, B24, B22, B19, B15, B14, B13, B9, 1, 1, 1}) \\
 \text{CRC}_0 &= \text{XOR} (\text{B39, B36, B33, B32, B25, B24, B23, B21, B18, B14, B13, B12, B8, 1, 1, 1, 1})
 \end{aligned}$$

CRC results examples:

- Main I2C device address: 0x20
- Fail-safe I2C device address: 0x21

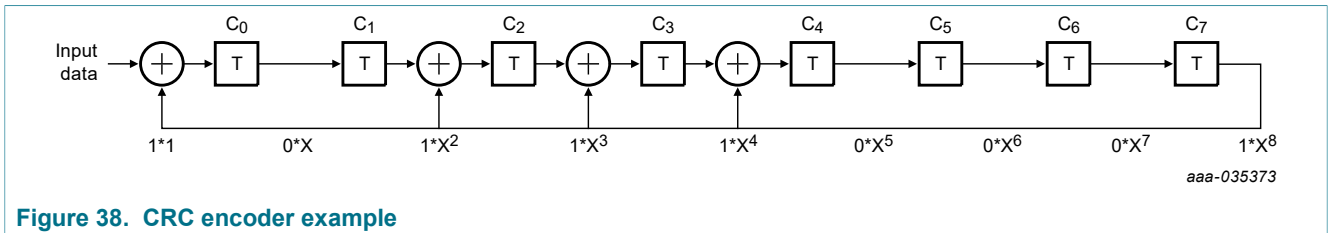


Figure 38. CRC encoder example

Table 85. CRC results example

Device address, R/W, 8 bit (Hex)	00, Register address, 8 bit (Hex)	Data MSB, 8 bit (Hex)	Data LSB, 8 bit (Hex)	CRC, 8 bit
0x40	0x02	0x00	0x00	0x31
0x42	0x01	0xD0	0x0D	0x8C

28.4 I2C electrical characteristics

Table 86. I2C electrical characteristics

$T_A = -40\text{ }^\circ\text{C}$ to $125\text{ }^\circ\text{C}$, unless otherwise specified. $V_{SUP} = V_{SUP_UVH}$ to 36 V, unless otherwise specified. All voltages referenced to ground.

Symbol	Parameter	Min	Typ	Max	Unit
VDDI2C	I2C interface power input	1.62	1.8	1.98	V
		2.97	3.3	3.63	V
F_{SCL}	SCL clock frequency	—	—	3.4	MHz
$I2C_{VIL}$	SCL, SDA low-level input voltage threshold	$0.3 \times V_{DDI2C}$	—	—	V
$I2C_{VIH}$	SCL, SDA high-level input voltage threshold	—	—	$0.7 \times V_{DDI2C}$	V
SDA_{VOL}	Low-level output voltage at SDA pin ($I = 20\text{ mA}$)	—	—	0.4	V
C_{I2C}	Input capacitance at SCL / SDA	—	—	10	pF
t_{SPSCL}	SCL pulse width filtering time, when 50 ns filter selected (fast speed, fast speed plus)	50	—	150	ns
t_{SPSDA}	SDA pulse width filtering time, when 50 ns filter selected (fast speed, fast speed plus)	50	—	150	ns
t_{SPHSCL}	SCL pulse width filtering time, when 10 ns filter selected (high speed)	10	—	25	ns
t_{SPHSDA}	SDA pulse width filtering time, when 10 ns filter selected (high speed)	10	—	25	ns

29 Application information

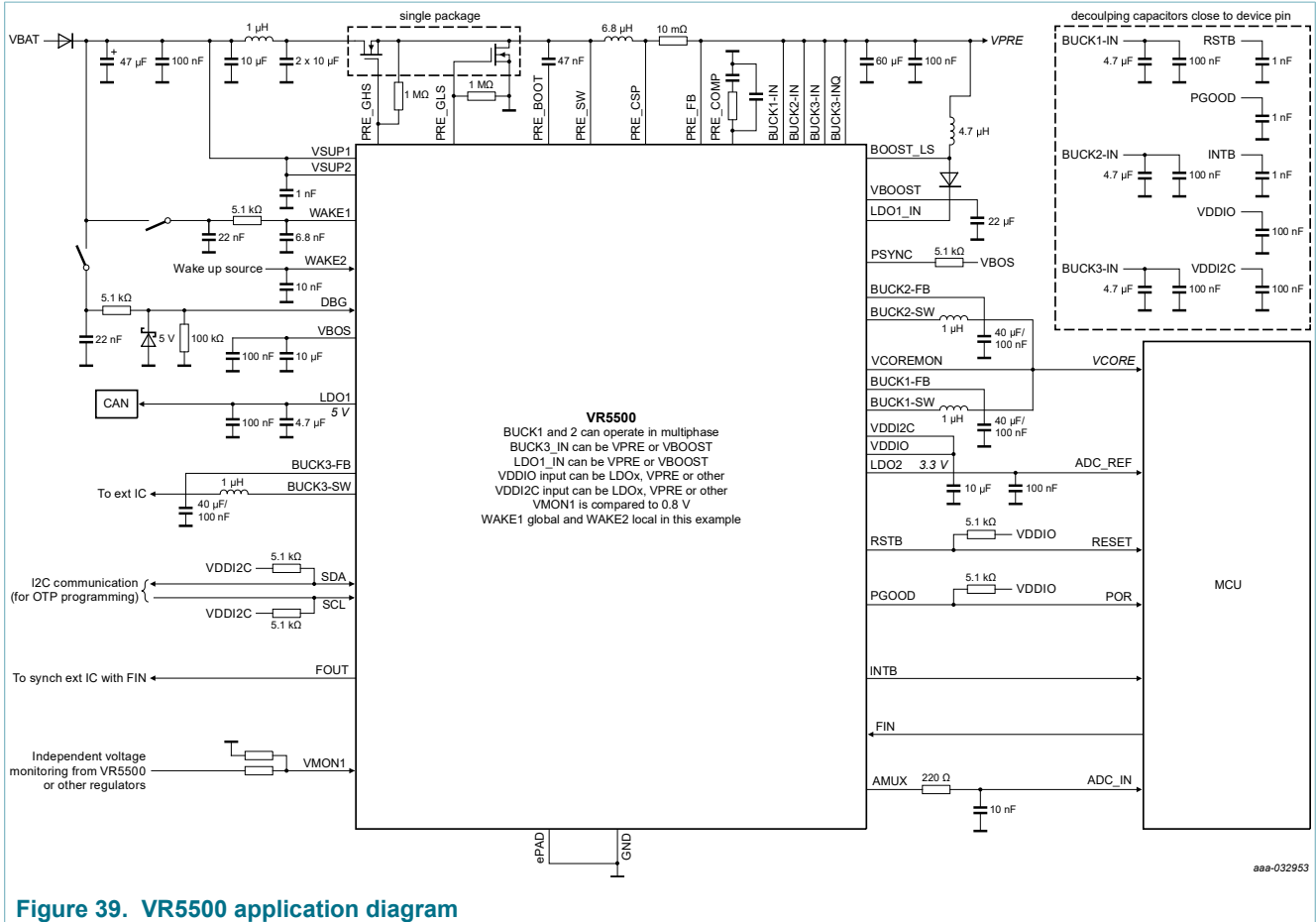


Figure 39. VR5500 application diagram

30 Fail-safe domain description

30.1 Functional description

The fail-safe domain is electrically independent and physically isolated. The fail-safe domain is supplied by its own reference voltages and current, has its own oscillator.

The fail-safe domain and the dedicated pins are represented in [Figure 40](#):

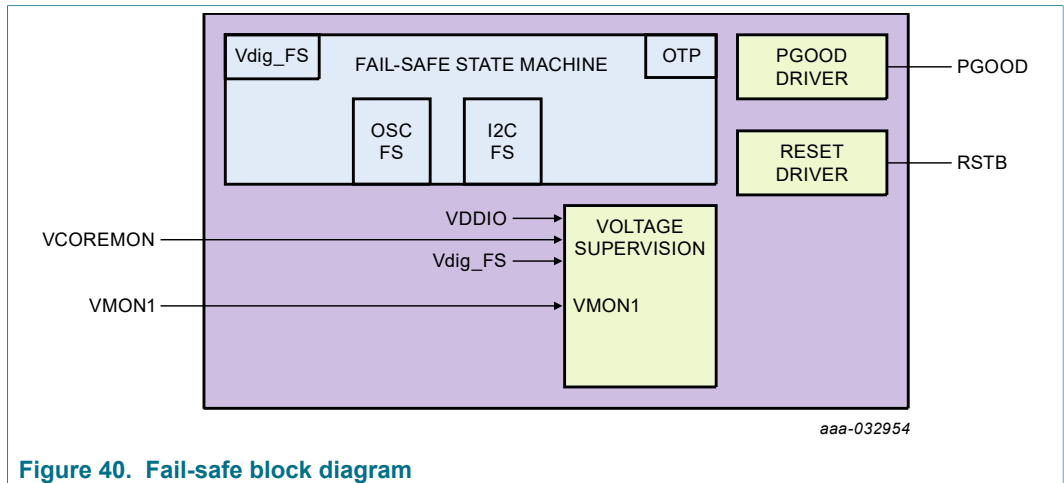


Figure 40. Fail-safe block diagram

30.2 Voltage supervisor

The voltage supervisor is in charge of overvoltage and undervoltage monitoring of VCOREMON, VDDIO and VMON1 input pins. When an overvoltage occurs on a VR5500 regulator monitored by one of these pins, the associated VR5500 regulator is switched off till the fault is removed. The voltage monitoring is active as soon as FS_ENABLE=1 and UV/OV flags are then reported accordingly.

30.2.1 VCOREMON monitoring

VCOREMON input pin is dedicated to BUCK1 or BUCK1 and BUCK2, in case of multiphase operation. When overvoltage or undervoltage fault is detected, the fail-safe reaction on RSTB is configurable with the VCOREMON_OV/UV_FS_IMPACT[1:0] bits during the INIT_FS phase.

Table 87. VCOREMON error impact configuration

VCOREMON_OV_FS_IMPACT[1:0]	VCOREMON OV impact on RSTB
00	No effect on RSTB
01	Reserved
1x (default)	RSTB is asserted
Reset condition	POR

VCOREMON_UV_FS_IMPACT[1:0]	VCOREMON UV impact on RSTB
00	No effect on RSTB
01 (default)	No effect on RSTB
1x	RSTB is asserted
Reset condition	POR

Table 88. VCOREMON electrical characteristics

$T_A = -40\text{ }^{\circ}\text{C}$ to $125\text{ }^{\circ}\text{C}$, unless otherwise specified. $VSUP = VSUP_UVH$ to 36 V , unless otherwise specified. All voltages referenced to ground.

Symbol	Parameter	Min	Typ	Max	Unit
VCOREMON_OV_min	Overvoltage threshold minimum	—	+4.5	—	%
VCOREMON_OV_max	Overvoltage threshold maximum	—	+12	—	%
VCOREMON_OV_step	Overvoltage threshold step (OTP_VCOREOVTH[7:0] bits)	—	+0.5	—	%
VCOREMON_OV_acc	Overvoltage threshold accuracy	-2	—	2	%
TCOREMON_OV	Overvoltage filtering time (OTP_VCORE_OV_DGLT bit)	20	25	30	μs
		40	45	50	μs
VCOREMON_UV_min	Undervoltage threshold minimum	—	-4.5	—	%
VCOREMON_UV_max	Undervoltage threshold maximum	—	-12	—	%
VCOREMON_UV_step	Undervoltage threshold step (OTP_VCOREUVTH[7:0] bits)	—	-0.5	—	%
VCOREMON_UV_acc	Undervoltage threshold accuracy	-2	—	2	%
TCOREMON_UV	Undervoltage filtering time (OTP_VCORE_UV_DGLT[1:0] bits)	2.5	5	7.5	μs
		10	15	20	μs
		20	25	30	μs
		35	40	45	μs

30.2.2 Static voltage scaling (SVS)

A static voltage scaling function is implemented to allow the MCU to reduce the output voltage initially configured at start-up of BUCK1 (and BUCK2 if used in multiphase). The SVS configuration must be done in INIT_FS phase. The offset value is configurable by I2C with the SVS_OFFSET[4:0] bits and the exact complemented value shall be written in the NOT_SVS_OFFSET[4:0] bits.

Table 89. SVS offset configuration

SVS_OFFSET[4:0]	NOT_SVS_OFFSET[4:0]	Offset applied to BUCK1 (and BUCK2 if used in multiphase)
0 0000 (default)	1 1111	0 mV
0 0001	1 1110	-6.25 mV
...	...	-6.25 mV step per bit
1 0000	0 1111	-100 mV
Reset condition	POR	

The BUCK1/2 output voltage transition starts when the NOT_SVS_OFFSET[4:0] I2C command is received and confirmed good. If the NOT_SVS_OFFSET[4:0] I2C command is not the exact opposite to the SVS_OFFSET[4:0] I2C command, the SVS procedure is not executed and the BUCK1 output voltage remains at its original value. The OV/UV threshold changes immediately when the NOT_SVS_OFFSET[4:0] I2C command is received and confirmed good. Therefore, the BUCK1 output voltage transition is done within TCOREMON_OV.

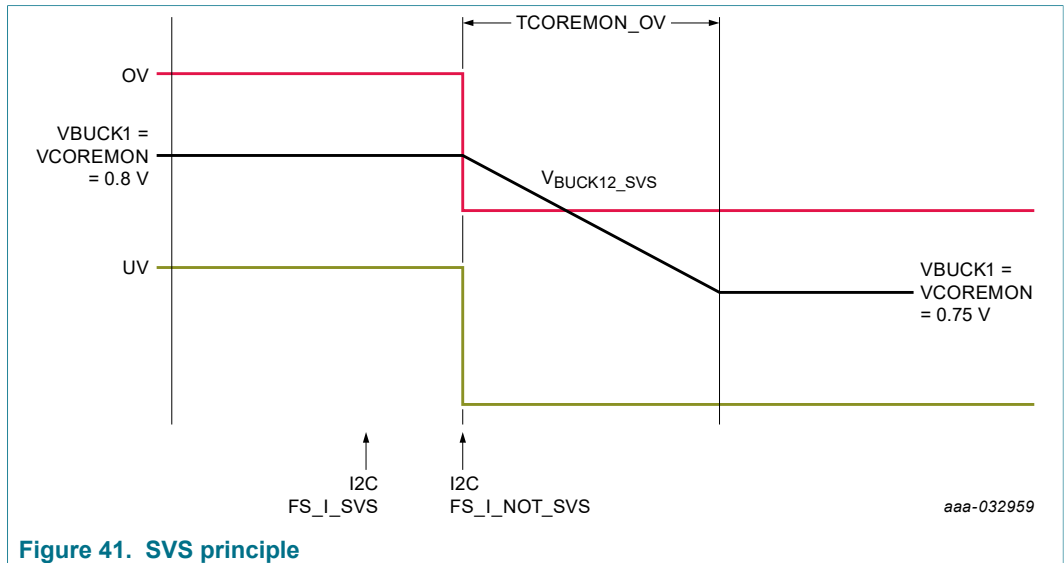


Figure 41. SVS principle

30.2.3 VDDIO monitoring

VDDIO input pin can be connected to VPRE, LDO1, LDO2, BUCK3, or an external regulator. The regulator connected to VDDIO must be at 3.3 V or 5.0 V to be compatible with overvoltage and undervoltage monitoring thresholds. In order to turn OFF the regulator in case of overvoltage detection, the configuration of which regulator is connected to VDDIO is done with OTP_VDDIO_REG_ASSIGN[2:0] bits. If an external regulator (not delivered by the VR5500) is connected to VDDIO, this regulator cannot be turned OFF, but the overvoltage flag is reported to the MCU which can take appropriate action. In all cases, the reaction on RSTB is configured with VDDIO_OV/UV_FS_IMPACT[1:0] bits.

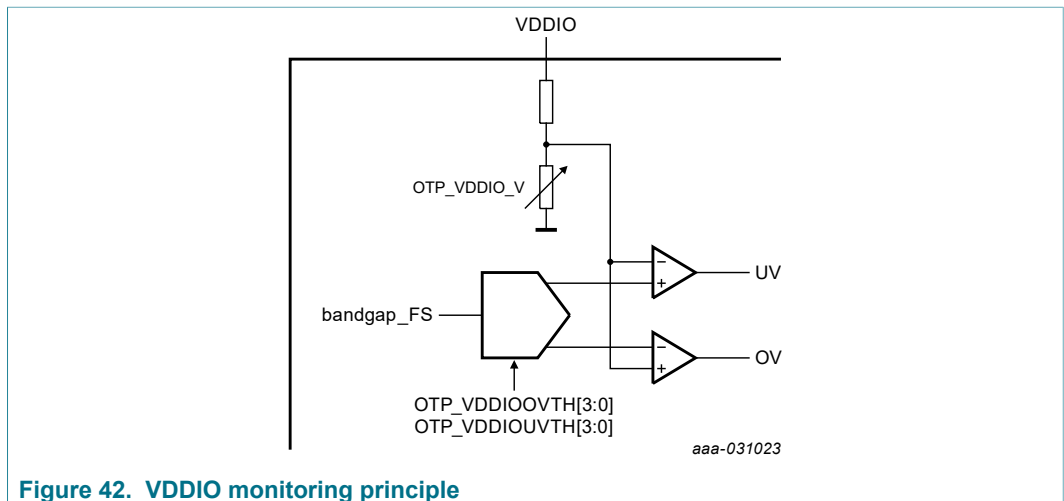


Figure 42. VDDIO monitoring principle

When overvoltage or undervoltage fault is detected, the fail-safe reaction on RSTB is configurable with the VDDIO_OV/UV_IMPACT[1:0] bits during the INIT_FS phase.

Table 90. VDDIO error impact configuration

VDDIO_OV_FS_IMPACT[1:0]	VDDIO OV impact on RSTB
00	No effect on RSTB
01	Reserved
1x (default)	RSTB is asserted
Reset condition	POR

VDDIO_UV_FS_IMPACT[1:0]	VDDIO UV impact on RSTB
00	No effect on RSTB
01 (default)	No effect on RSTB
1x	RSTB is asserted
Reset condition	POR

Table 91. VDDIO electrical characteristics

$T_A = -40\text{ }^{\circ}\text{C}$ to $125\text{ }^{\circ}\text{C}$, unless otherwise specified. $VSUP = VSUP_UVH$ to 36 V, unless otherwise specified. All voltages referenced to ground.

Symbol	Parameter	Min	Typ	Max	Unit
VDDIO_OV_min	Overvoltage threshold minimum	—	+4.5	—	%
VDDIO_OV_max	Overvoltage threshold maximum	—	+12	—	%
VDDIO_OV_step	Overvoltage threshold step (OTP_VDDIOOVTH[7:0] bits)	—	+0.5	—	%
VDDIO_OV_acc	Overvoltage threshold accuracy	-2	—	2	%
TVDDIO_OV	Overvoltage filtering time (OTP_VDDIO_OV_DGLT bit)	20	25	30	μs
		40	45	50	μs
VDDIO_UV_min	Undervoltage threshold minimum	—	-4.5	—	%
VDDIO_UV_max	Undervoltage threshold maximum	—	-12	—	%
VDDIO_UV_step	Undervoltage threshold step (OTP_VDDIOUVTH[7:0] bits)	—	-0.5	—	%
VDDIO_UV_acc	Undervoltage threshold accuracy	-2	—	2	%
TVDDIO_UV	Undervoltage filtering time (OTP_VDDIO_UV_DGLT[1:0] bits)	2.5	5	7.5	μs
		10	15	20	μs
		20	25	30	μs
		35	40	45	μs

30.2.4 VMON1 monitoring

Each VMON1 monitoring feature is enabled by OTP. VMON1 input pin can be connected to VPRE, LDO1, LDO2, BUCK3, BUCK2 (in case BUCK2 is not used in multiphase), or even an external regulator. In order to turn OFF the regulator in case of Overvoltage detection, the configuration of which regulator is connected to VMON1 is done by I2C in the register M_VMON_REGx. If an external regulator (not delivered by the VR5500) is connected to VMON1, this regulator cannot be turned OFF, but the Overvoltage flag is reported to the MCU which can take appropriate action. In all cases, the fail-safe reaction on RSTB is configured with VMON1_OV/UV_FS_IMPACT[1:0] bits.

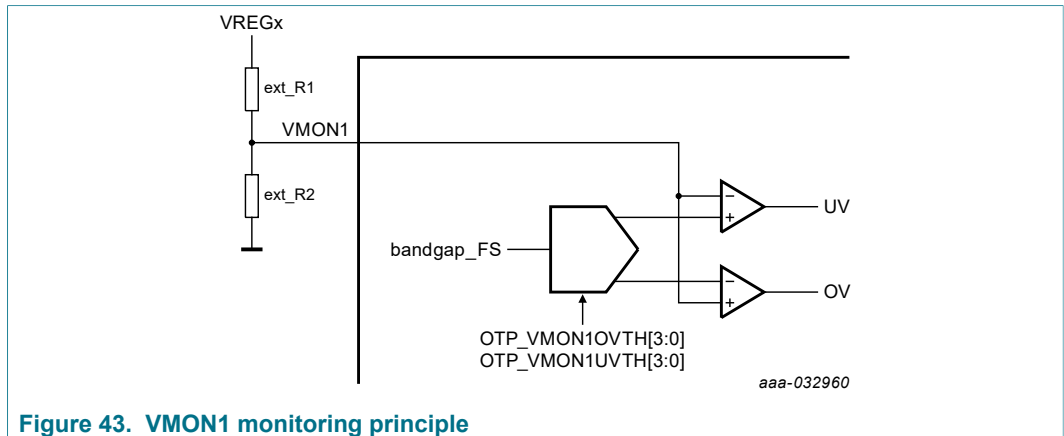


Figure 43. VMON1 monitoring principle

The external resistor bridge connected to VMON1 shall be calculated to deliver a middle point of 0.8 V. It is recommended to use ±1 % or less resistor accuracy. When overvoltage or undervoltage fault is detected, the fail-safe reaction on RSTB is configurable with the VMON1_OV/UV_FS_IMPACT[1:0] bits during the INIT_FS phase.

Table 92. VMON1 error impact configuration

VMON1_OV_FS_IMPACT[1:0]	VMON1 OV impact on RSTB
00	No effect on RSTB
01	Reserved
1x (default)	RSTB is asserted
Reset condition	POR

VMON1_UV_FS_IMPACT[1:0]	VMON1 UV impact on RSTB
00	No effect on RSTB
01 (default)	No effect on RSTB
1x	RSTB is asserted
Reset condition	POR

Table 93. VMON1 (without ext resistor accuracy) electrical characteristics

$T_A = -40\text{ }^\circ\text{C}$ to $125\text{ }^\circ\text{C}$, unless otherwise specified. $VSUP = VSUP_UVH$ to 36 V, unless otherwise specified. All voltages referenced to ground.

Symbol	Parameter	Min	Typ	Max	Unit
VMON1_OV_min	Overvoltage threshold minimum	—	+4.5	—	%
VMON1_OV_max	Overvoltage threshold maximum	—	+12	—	%
VMON1_OV_step	Overvoltage threshold step (OTP_VMON1OVTH[7:0] bits)	—	+0.5	—	%
VMON1_OV_acc	Overvoltage threshold accuracy	-2	—	2	%
TMON1_OV	Overvoltage filtering time (OTP_VMON1_OV_DGLT bit)	20	25	30	μs
		40	45	50	μs
VMON1_UV_min	Undervoltage threshold minimum	—	-4.5	—	%
VMON1_UV_max	Undervoltage threshold maximum	—	-12	—	%

Symbol	Parameter	Min	Typ	Max	Unit
VMON1_UV_step	Undervoltage threshold step (OTP_VMON1UVTH[7:0] bits)	—	-0.5	—	%
VMON1_UV_acc	Undervoltage threshold accuracy	-2	—	2	%
TMON1_UV	Undervoltage filtering time (OTP_VMON1_UV_DGLT[1:0] bits)	2.5	5	7.5	μs
		10	15	20	μs
		20	25	30	μs
		35	40	45	μs
VMON1_PD	Internal passive pull down	1	2	4	MΩ

30.3 Fault management

30.3.1 Fault source and reaction

In normal operation when RSTB is released, the fault error counter is incremented when a fault is detected by the VR5500 fail-safe state machine. [Table 94](#) lists the faults and their impact on PGOOD and RSTB pins according to the device configuration. The faults that are configured to not assert RSTB will not increment the fault error counter. In that case, only the flags are available for MCU diagnostic.

Table 94. Application related fail-safe fault list and reaction

In Orange, the reaction is not configurable.

In Green, the reaction is configurable by OTP for PGOOD and I2C for RSTB during INIT_FS.

Application-related fail-safe faults	FLT_ERR_CNT increment	RSTB assertion	PGOOD assertion
VCOREMON_OV	+1	VCOREMON_OV_FS_IMPACT[1]	OTP config
VDDIO_OV	+1	VDDIO_OV_FS_IMPACT[1]	OTP config
VMON1_OV	+1	VMON1_OV_FS_IMPACT[1]	OTP config
VCOREMON_UV	+1	VCOREMON_UV_FS_IMPACT[1]	OTP config
VDDIO_UV	+1	VDDIO_UV_FS_IMPACT[1]	OTP config
VMON1_UV	+1	VMON1_UV_FS_IMPACT[1]	OTP config
External RESET (out of extended RSTB)	+1	Yes (low externally)	No
RSTB pulse request by MCU	No	Yes	No
RSTB short to high	+1	No (high externally)	No
REG_CORRUPT = 1	+1	No	No
OTP_CORRUPT = 1	+1	No	No

If OTP_PGOOD_RSTB = '0' (default configuration), RSTB and PGOOD pins work independently according to [Table 94](#). If OTP_PGOOD_RSTB = '1', RSTB and PGOOD pins work concurrently and all the faults asserting RSTB will also assert PGOOD.

30.3.2 Fault error counter

The VR5500 integrates a configurable fault error counter which is counting the number of faults related to the device itself and also caused by external events. The fault error counter starts at level '1' after a POR or resuming from Standby. The final value of the fault error counter is used to transition in DEEP-FS mode. The maximum value of this

counter is configurable with the FLT_ERR_CNT_LIMIT[1:0] bits during the INIT_FS phase.

Table 95. Fault error counter configuration

FLT_ERR_CNT_LIMIT[1:0]	Fault error counter max value configuration
00	2
01 (default)	6
10	8
11	12
Reset condition	POR

30.4 PGOOD, RSTB

These two output pins have a hierarchical implementation in order to guarantee the safe state.

- PGOOD has the priority one. If PGOOD is asserted, RSTB is asserted.
- RSTB has the priority two. If RSTB is asserted, PGOOD may not be asserted.

30.4.1 PGOOD

PGOOD is an open-drain output that can be connected in the application to the PORB of the MCU. PGOOD requires an external pull-up resistor to VDDIO and a filtering capacitor to GND for immunity. An internal pull-down RPD ensures PGOOD low-level in Standby and Power down mode. VCOREMON, VDDIO, VMON1 can be assigned to PGOOD by OTP.

PGOOD is asserted low by the FS_LOGIC when any of the assigned regulators are in undervoltage or overvoltage. When PGOOD is asserted low, RSTB is also asserted low. An internal pull-up on the gate of the low-side MOS ensures PGOOD low-level in case of FS_LOGIC failure.

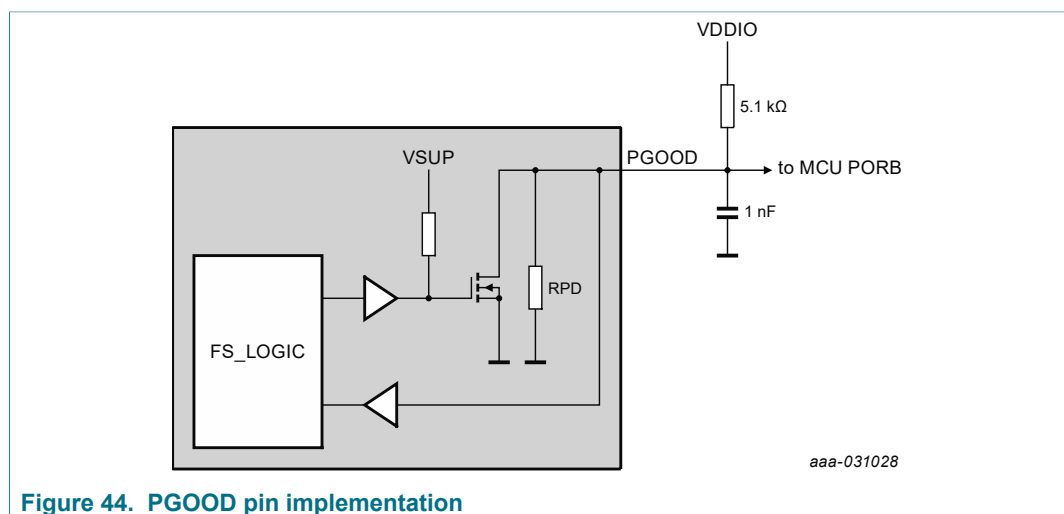


Figure 44. PGOOD pin implementation

Table 96. PGOOD electrical characteristics

$T_A = -40\text{ }^\circ\text{C}$ to $125\text{ }^\circ\text{C}$, unless otherwise specified. $VSUP = VSUP_UVH$ to 36 V, unless otherwise specified. All voltages referenced to ground.

Symbol	Parameter	Min	Typ	Max	Unit
PGOOD _{VIL}	Low-level input voltage threshold	1.0	—	—	V
PGOOD _{VIH}	High-level input voltage threshold	—	—	2.0	V
PGOOD _{HYST}	Input voltage hysteresis	100	—	—	mV
PGOOD _{VOL}	Low-level output voltage (I = 2.0 mA)	—	—	0.5	V
PGOOD _{RPD}	Internal pull-down resistor	200	400	800	kΩ
PGOOD _{ILIM}	Current limitation	4.0	—	20	mA
PGOOD _{TFB}	Feedback filtering time	8.0	—	15	μs

30.4.2 RSTB

RSTB is an open-drain output that can be connected in the application to the RESET of the MCU. RSTB requires an external pull-up resistor to VDDIO and a filtering capacitor to GND for immunity. An internal pull-down RPD ensures RSTB low level in Standby and Power down mode. RSTB assertion depends on the device configuration during INIT_FS phase. An internal pull up on the gate of the low-side MOS ensures RSTB low level in case of FS_LOGIC failure. When RSTB is stuck low for more than RSTB_{T8S}, the device transitions in DEEP-FS mode.

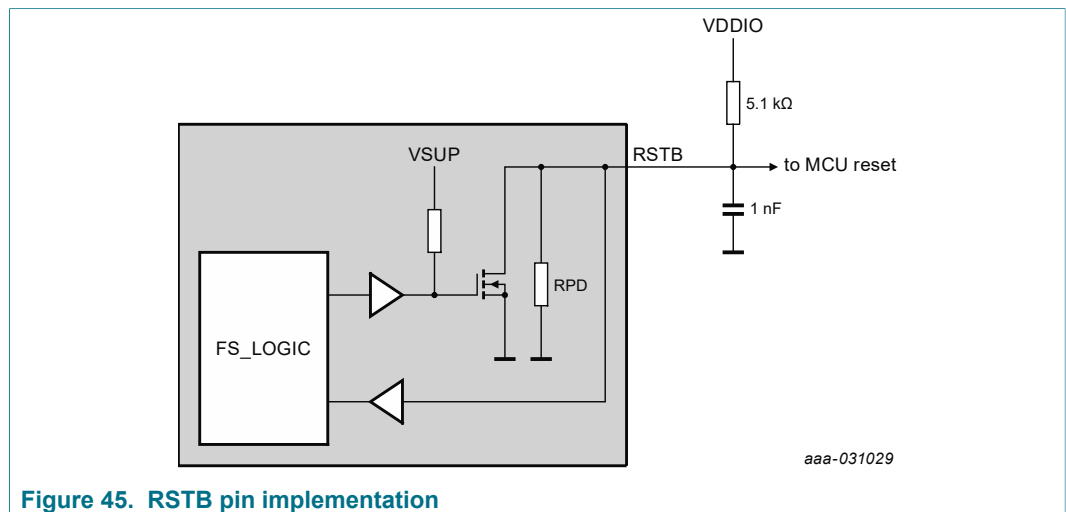


Figure 45. RSTB pin implementation

Table 97. RSTB electrical characteristics

$T_A = -40\text{ }^{\circ}\text{C}$ to $125\text{ }^{\circ}\text{C}$, unless otherwise specified. $VSUP = VSUP_UVH$ to 36 V, unless otherwise specified. All voltages referenced to ground.

Symbol	Parameter	Min	Typ	Max	Unit
RSTB _{VIL}	Low-level input voltage threshold	1.0	—	—	V
RSTB _{VIH}	High-level input voltage threshold	—	—	2.0	V
RSTB _{HYST}	Input voltage hysteresis	100	—	—	mV
RSTB _{VOL}	Low-level output voltage (I = 2.0 mA)	—	—	0.5	V
RSTB _{RPB}	Internal pull-down resistor	200	400	800	k Ω
RSTB _{ILIM}	Current limitation	4.0	—	20	mA
RSTB _{TFB}	Feedback filtering time	8.0	—	15	μ s
RSTB _{TSC}	Short to high filtering time	500	—	800	us
RSTB _{TLG}	Long pulse (configurable with RSTB_DUR bit)	9.0	—	11	ms
RSTB _{TST}	Short pulse (configurable with RSTB_DUR bit)	0.9	—	1.1	ms
RSTB _{T8S}	8 second timer	7.0	8.0	9.0	s
RSTB _{TRELEASE}	Time to release RSTB from wake-up or POR with all regulators started in Slot 0	—	8.0	—	ms

31 Package information

VR5500 package is a QFN (sawn), thermally enhanced wettable flanks, 8 x 8 x 0.85 mm, 0.5 mm pitch, 56 pins. The assembly can be done at two different NXP assembly sites with slight wettable flank difference but sharing the same PCB footprint.

32 Package outline

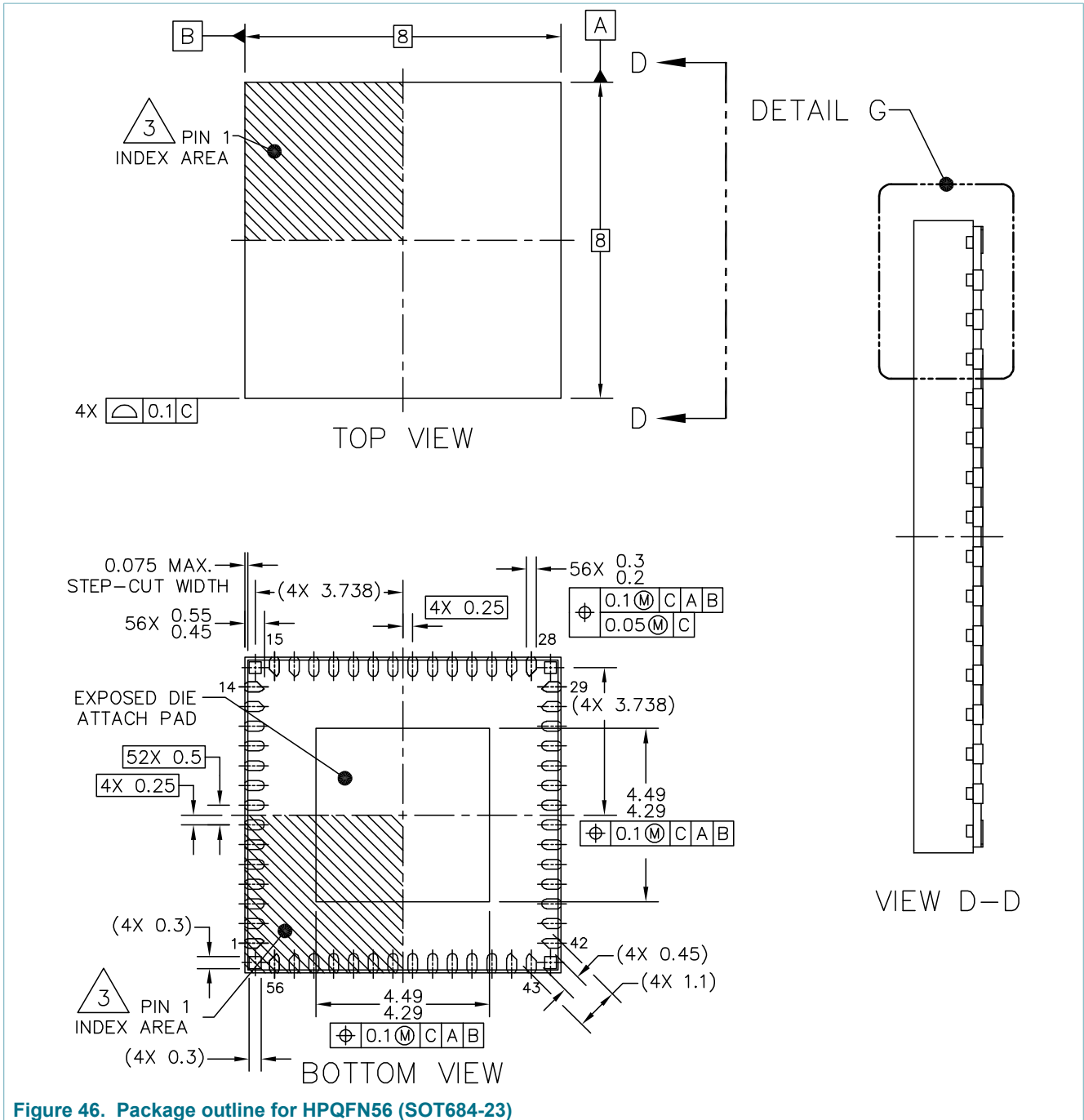


Figure 46. Package outline for HPQFN56 (SOT684-23)

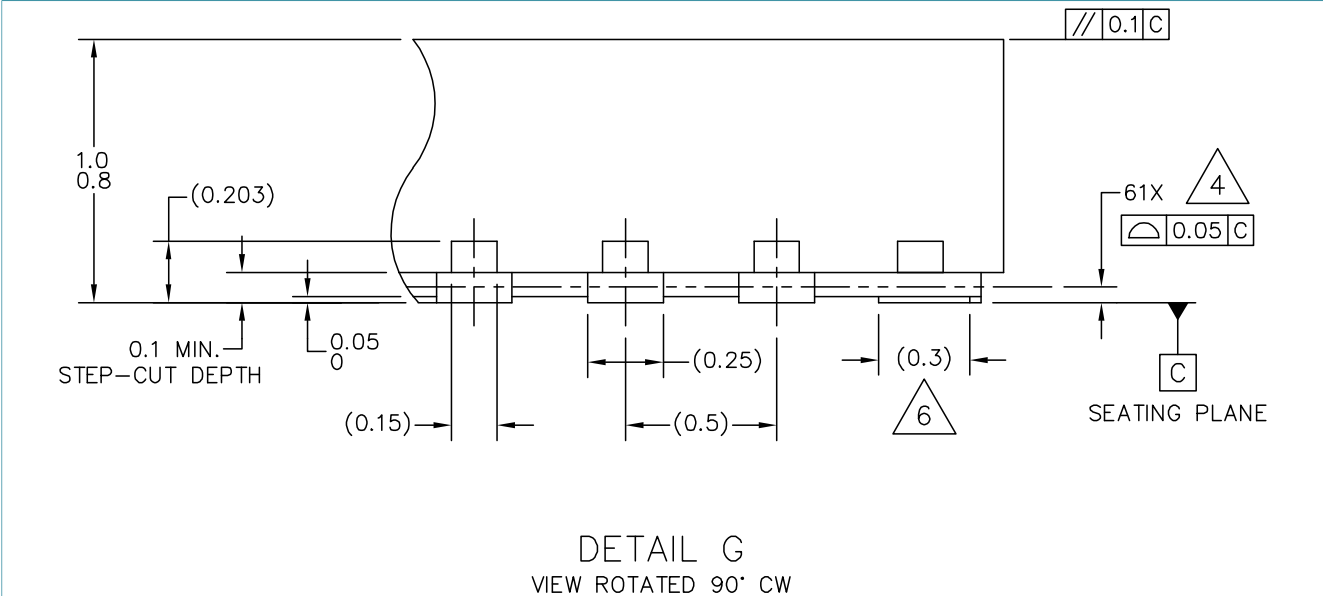


Figure 47. Package outline detail for HPQFN56 (SOT684-23)

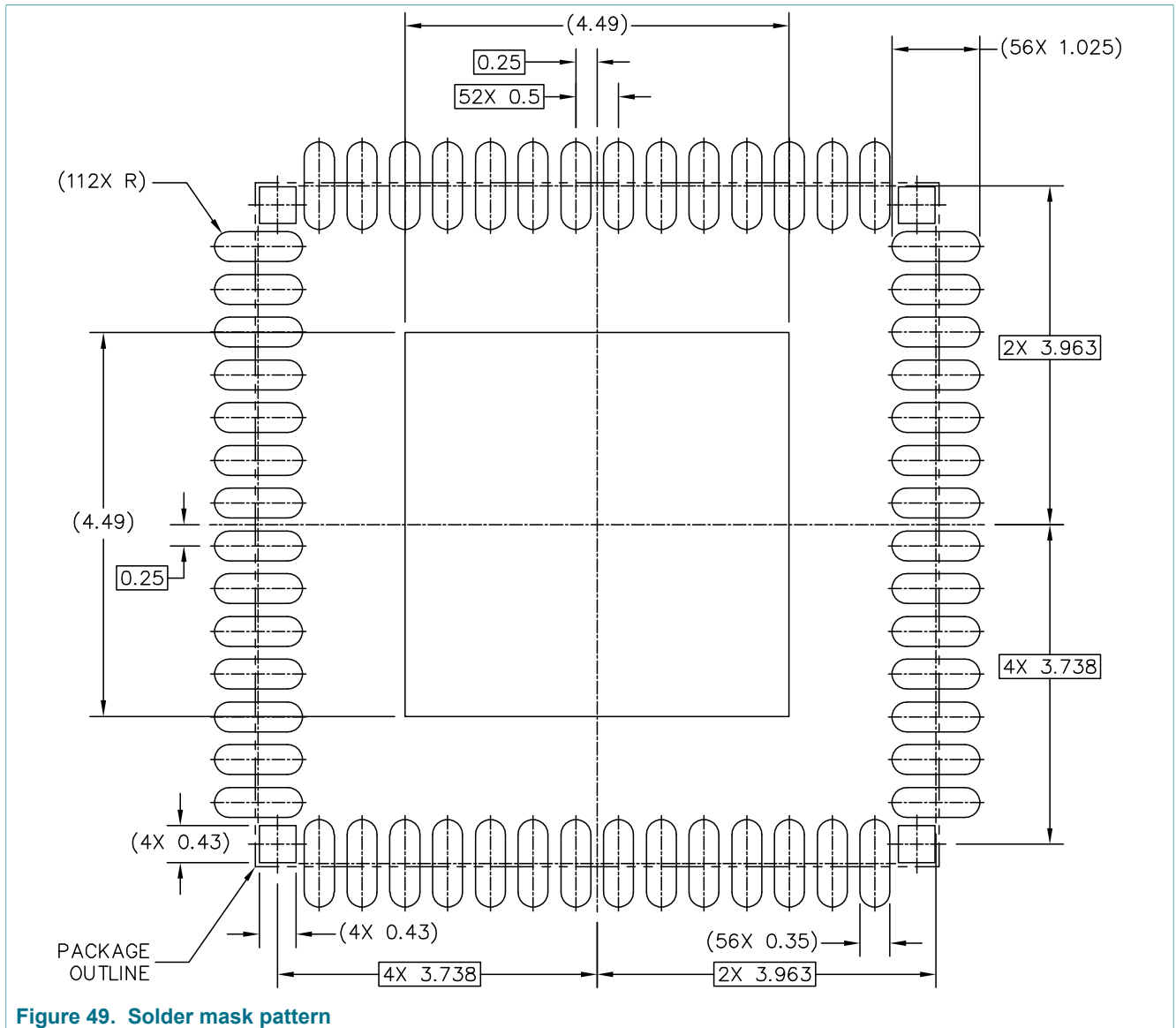
NOTES:

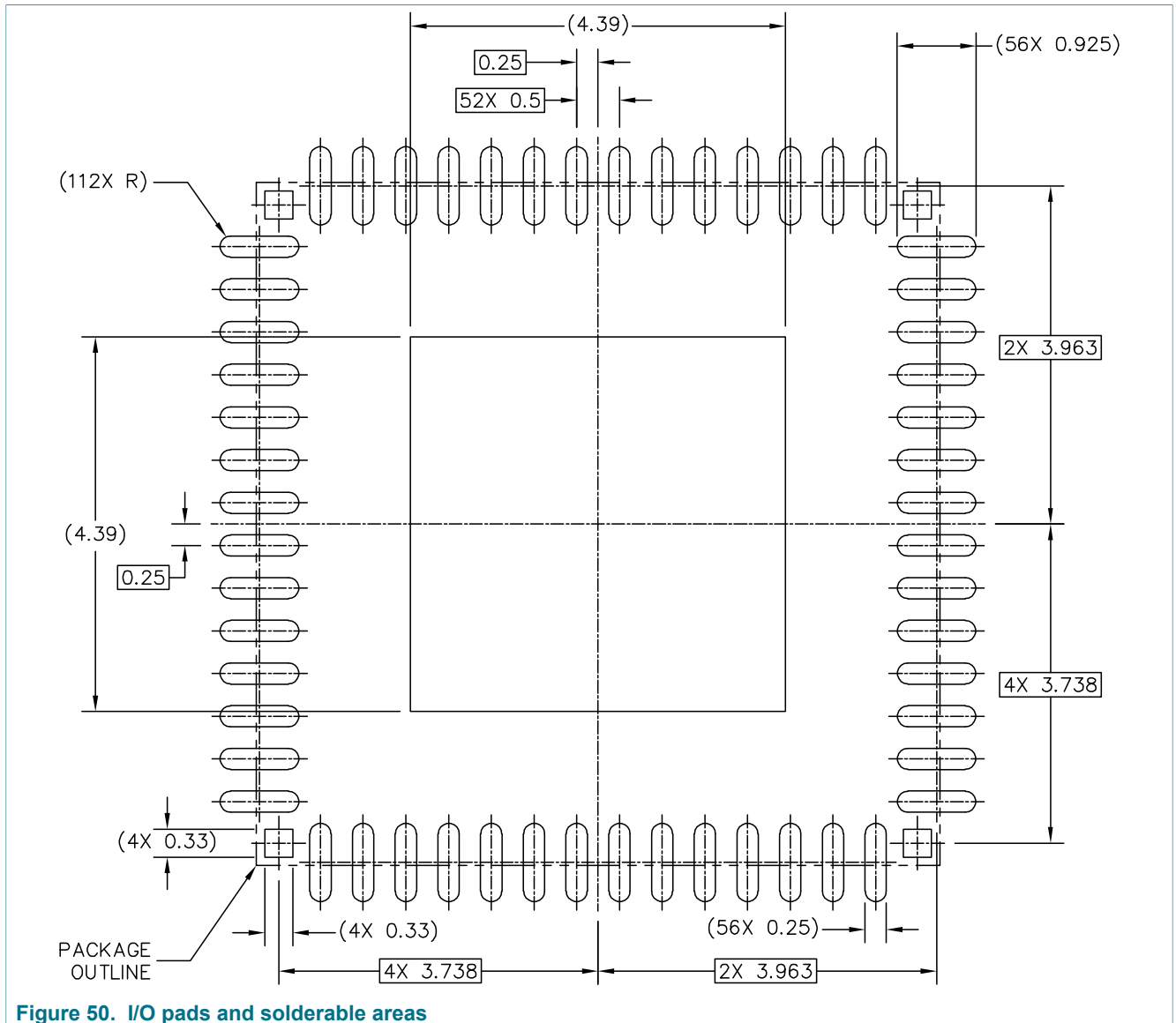
1. ALL DIMENSIONS ARE IN MILLIMETERS.
2. DIMENSIONING AND TOLERANCING PER ASME Y14.5M-1994.
3. PIN 1 FEATURE SHAPE, SIZE AND LOCATION MAY VARY.
4. COPLANARITY APPLIES TO LEADS, DIE ATTACH FLAG AND CORNER NON-FUNCTIONAL PADS.
5. MIN. METAL GAP SHOULD BE 0.25 MM.
6. ANCHORING PADS.

Figure 48. Package outline notes for HPQFN56 (SOT684-23)

33 Layout and PCB guidelines

33.1 Landing pad information





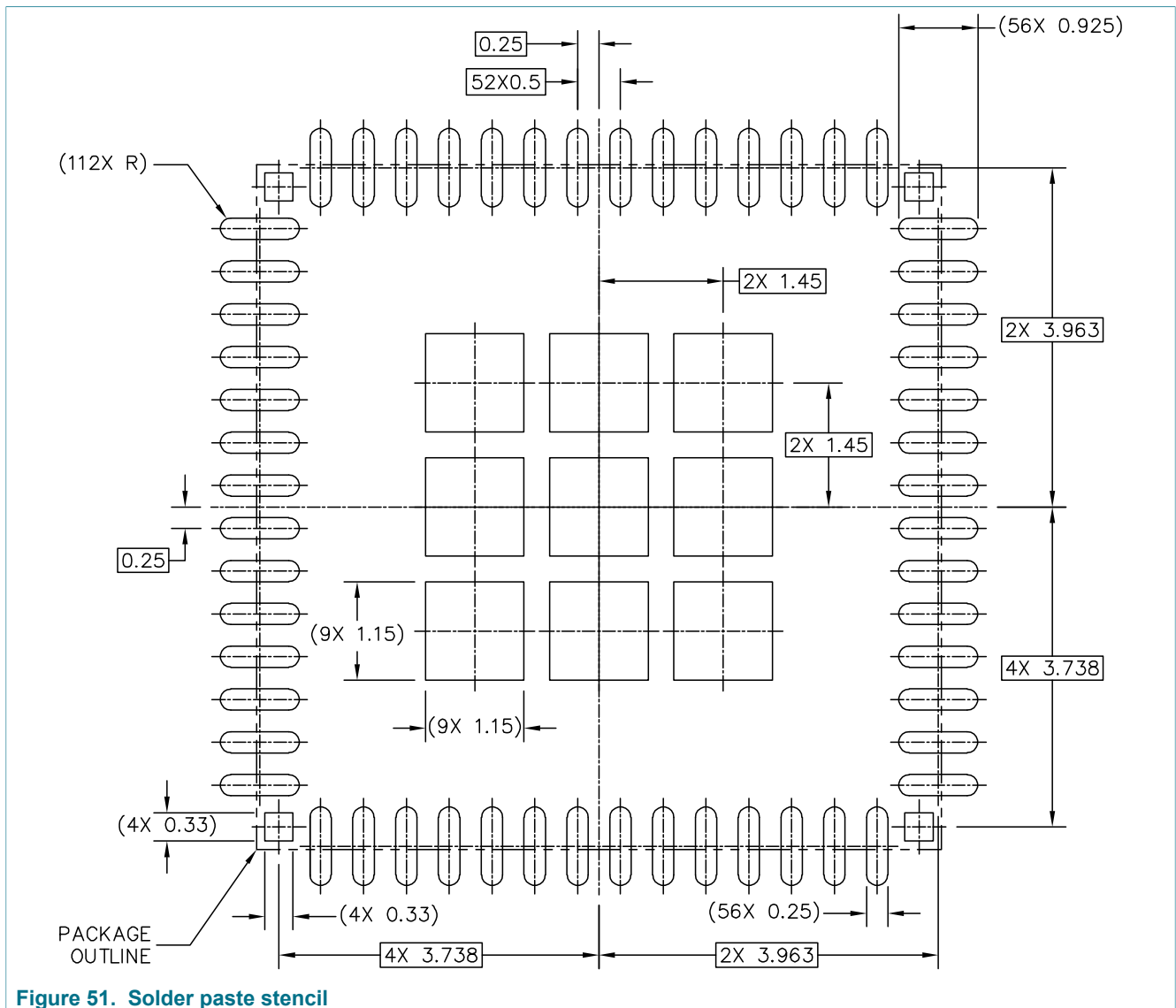


Figure 51. Solder paste stencil

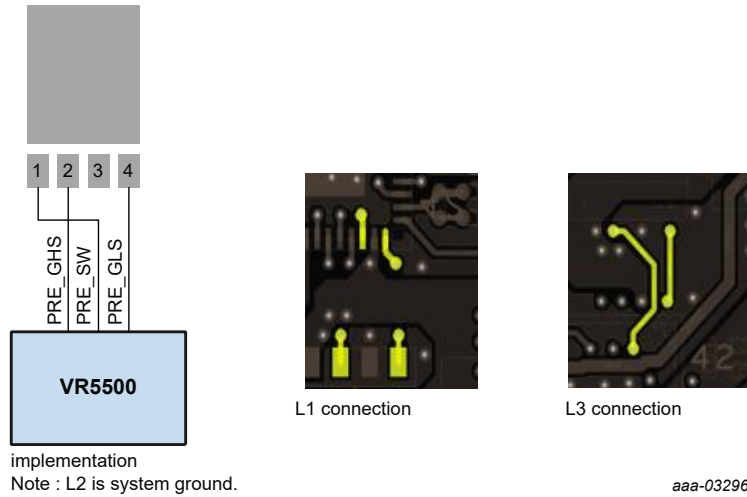
33.2 Component selection

- SMPS input and output capacitors shall be chosen with low ESR (ceramic or MLCC type of capacitors). X7R ceramic type is preferred. Input decoupling capacitors shall be placed as close as possible to the device pin. Output capacitor voltage rating shall be selected to be 3x the voltage output value to minimize the DC bias degradation.
- SMPS inductors shall be shielded with ISAT higher than maximum inductor peak current.

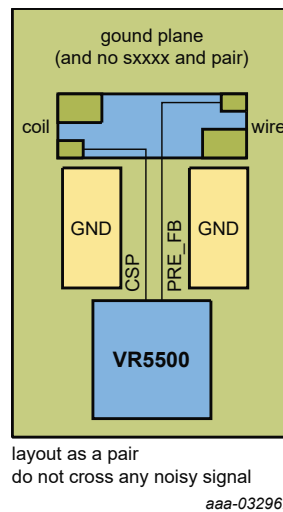
33.3 VPRES

- Inductor charging and discharging current loop is designed as small as possible.
- Input decoupling capacitors are placed close to the high-side drain transistor pin.
- The boot strap capacitor is placed close to the device pin using wide and short track to connect to the external low-side drain transistor.

- PRE_GLS, PRE_GHS and PRE_SW tracks is wide and short and should not cross any sensitive signal (current sensing, for example).



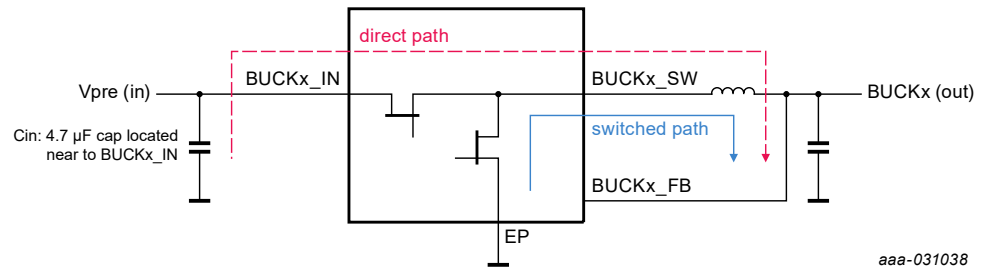
- PRE_FB used as voltage feedback and current sense shall be connected to R_{SHUNT} and routed as a pair with CSP.



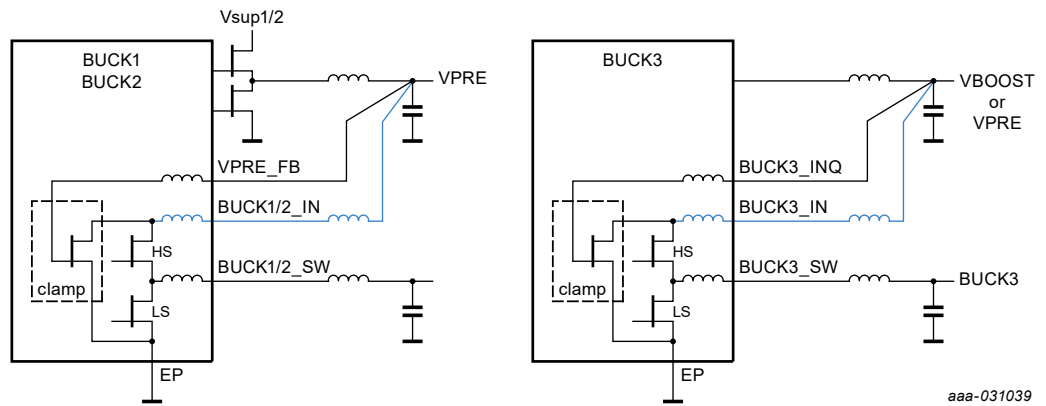
- The external transistor thermal shape should be in the range of 25 x 25 mm for optimum R_{th} .
- The LFPK56 application note can give better insight: <http://assets.nexperia.com/documents/application-note/AN10874.pdf>

33.4 VBUCKx

- Inductor charging and discharging current loop is designed as small as possible.



- Input decoupling capacitors is placed close to BUCKx_IN pins.
- BUCK3_FB and BUCK3_INQ pins shall be tied to the same capacitor, VPRE, or VBOOST output capacitor depending on BUCK3_IN supply selected (in the blue path below, the coil is parasitic from track on the PCB). In the package, the coil is parasitic from the bonding.



34 EMC compliance

The VR5500 EMC performance is verified against BISS generic IC EMC test specification version 2.0 from 07.2012 and FMC1278 electromagnetic compatibility specification for electrical/electronic components and subsystems from 2016 with the following specific conditions:

- Conducted emission: IEC 61967-4
 - Global pins: VBAT (Vsup1 and Vsup2), WAKE1/2, 150 Ohm method, 12-M level
 - Local pins: VPRE, BUCK1/2/3, LDO1/2, VBOOST, 150 Ohm method, 10-K level
- Conducted immunity: IEC 62132-4
 - Global pins: VBAT (Vsup1 and Vsup2), 36 dBm, Class A (no state change on RSTB, PGOOD, and all regulators in spec)
 - Global pins: WAKE1, WAKE2, 30 dBm, Class A (no state change on RSTB, PGOOD, and all regulators in spec)
 - Local pins: RSTB, PGOOD, VDDIO, VDDI2C, VBOS, 12 dBm, Class A (no state change on RSTB, PGOOD, and all regulators in spec)
 - Supply pins: VPRE, BUCK1/2/3, LDO1/2, 12 dBm, Class A (no state change on RSTB, PGOOD, and all regulators in spec)
- Radiated emission: FMC1278 from July 2015
 - Compliance with FMC1278 RE310 Level 2 requirement in Normal mode

- Radiated immunity: FMC1278 from July 2015
 - Injection level per FMC1278 RI112 Level 2 requirement in Normal mode,
 - Injection level per FMC1278 RI112 Level 2 requirement in Normal mode,
 - No wake up when injecting FMC1278 RI112 Level 2 requirement in Standby mode

Table 98. Regulators setup for the EMC tests

VPRE	Output voltage	3.3 V
	Switching frequency	455 kHz
	Output current	3 A
BUCK1	Output voltage	1.25 V
	Switching frequency	2.22 MHz
	Output current	1.2 A
BUCK2	Output voltage	0.8 V
	Switching frequency	2.22 MHz
	Output current	1.2 A
BUCK3	Output voltage	2.3 V
	Switching frequency	2.22 MHz
	Output current	1.2 A
BOOST	Output voltage	5 V
	Switching frequency	2.22 MHz
	Output current	275 mA
LDO1	Output voltage	2.5 V
	Output current	75 mA
LDO2	Output voltage	1.1 V
	Output current	200 mA

35 References

- [1] **VR5500_PDTCALC**^[1] — VPRE compensation network calculation and power dissipation tool (Excel file)
- [2] **VR5500_OTP_Mapping**^[1] — OTP programming configuration (Excel file)
- [3] **VR5500_VPRE_Simplis_Model**^[1] — Simplis model for stability and transient simulations
- [4] **Schematic**^[1] — Reference schematic in Cadence and PDF formats
- [5] **Layout**^[1] — Reference layout in Cadence format
- [6] **EVB**^[1] — Evaluation board (EVB)
- [7] **FlexGUI**^[1] — Graphical user interface to be used with the EVB

[1] Contact NXP sales representative.

36 Revision history

Table 99. Revision history

Document ID	Release date	Data sheet status	Change notice	Supersedes
VR5500 v.6.0	20200129	Product data sheet	201912015I	VR5500 v.5.0
Modifications	<ul style="list-style-type: none"> Global: deleted "SPI" references Section 15: corrected typo (deleted R/W SPI column) 			
VR5500 v.5.0	20191218	Product data sheet	201912015I	VR5500 v.4.0
Modifications	<ul style="list-style-type: none"> Global: changed document status from "Preliminary" to "Product" 			
VR5500 v.4.0	20191216	Preliminary data sheet	201912015I	VR5500 v.3.0
Modifications	<ul style="list-style-type: none"> Global: multiple formatting and wording updates Table 1: added OTP ID Table 2: updated ground pin description Table 4: added values for BUCKx_SW and updated min value for DC voltage (replaced -1.0 by -0.3) Table 5: updated T_A and T_J description (added "Grade1") Table 7: updated T_{DBG} values and unit Table 8, Table 12: replaced "GOTOSTBY" by "GoToSTBY" Table 19: updated description for RATIO Table 26: updated reset value for Bit 22 and Bit 23 (replaced 0 by 1) Table 54: updated reset value for Bit 17 and Bit 22 (replaced 0 by 1) Table 64: updated OTP_CFG_BUCK1_2 and OTP_CFG_BUCK2_2 register description (replaced 2.6 A by Reserved) Table 65: updated OTP_CFG_UVOV_3 register description Table 66, Table 67, Table 70, Table 76, Table 72, Table 71: updated parameters Figure 8: replaced "WAKE1" by "WAKE1/2" Section 10: updated description for charged device model Section 11: updated assumptions and description (replaced "V_{FPRE_SW}" by "F_{PRE_SW}") Section 20.5: updated description and values in Table 68 Section 20.6: updated Figure 14 Section 22.6: updated Figure 22 Section 23.5: updated Figure 26 Section 25.1: replaced "VPRE switching frequency is coming from CLK2 (455 kHz)" by "VPRE switching frequency is coming from CLK2 (455 kHz) or CLK1 (2.22 MHz)" Section 27.4: updated figure title and description Section 28.3: enhanced description (added Figure 38 and Table 85) Section 30.4.1, Section 30.4.2: updated current limiting parameters Section 33.3, Section 33.4: updated description 			
VR5500 v.3.0	20190522	Preliminary data sheet	-	VR5500 v.2.0
Modifications	<ul style="list-style-type: none"> Global: deleted safety references throughout the document Section 30: updated section title (replaced "Functional safety" by "Fail-safe domain description") 			
VR5500 v.2.0	20190415	Preliminary data sheet	-	VR5500 v.1.0
Modifications	<ul style="list-style-type: none"> Global: changed document status from Objective to Preliminary Table 1: replaced MC by PC Table 4: added parameters for BUCKx_IN Section 10: updated description Section 11: updated Figure 4, assumptions, and description Section 15: renamed column R/W to R/W SPI and added a column R/W I2C Table 64: replaced CLK_DIV1 by 2.22 MHz Table 64: updated the value and description for OTP_CFG_CLOCK_4 register bit 3 (replaced 0 by 1 and 2.22 MHz by 455 kHz) Section 20.1: replaced "V_{SUP} = V_{PRE} / (T_{PRE_ON_MIN} × V_{PRE_SW})" by "V_{SUP} = L_{PI_DCR} × I_{PRE} + V_{PRE_UVL} / D_{MAX} with D_{MAX} = 1 - (V_{PRE_SW} × T_{PRE_OFF_MIN})" Figure 14: deleted 2.22 MHz curves 			
VR5500 v.1.0	20190221	Objective data sheet	-	-

37 Legal information

37.1 Data sheet status

Document status ^{[1][2]}	Product status ^[3]	Definition
Objective [short] data sheet	Development	This document contains data from the objective specification for product development.
Preliminary [short] data sheet	Qualification	This document contains data from the preliminary specification.
Product [short] data sheet	Production	This document contains the product specification.

[1] Please consult the most recently issued document before initiating or completing a design.

[2] The term 'short data sheet' is explained in section "Definitions".

[3] The product status of device(s) described in this document may have changed since this document was published and may differ in case of multiple devices. The latest product status information is available on the Internet at URL <http://www.nxp.com>.

37.2 Definitions

Draft — The document is a draft version only. The content is still under internal review and subject to formal approval, which may result in modifications or additions. NXP Semiconductors does not give any representations or warranties as to the accuracy or completeness of information included herein and shall have no liability for the consequences of use of such information.

Short data sheet — A short data sheet is an extract from a full data sheet with the same product type number(s) and title. A short data sheet is intended for quick reference only and should not be relied upon to contain detailed and full information. For detailed and full information see the relevant full data sheet, which is available on request via the local NXP Semiconductors sales office. In case of any inconsistency or conflict with the short data sheet, the full data sheet shall prevail.

Product specification — The information and data provided in a Product data sheet shall define the specification of the product as agreed between NXP Semiconductors and its customer, unless NXP Semiconductors and customer have explicitly agreed otherwise in writing. In no event however, shall an agreement be valid in which the NXP Semiconductors product is deemed to offer functions and qualities beyond those described in the Product data sheet.

37.3 Disclaimers

Limited warranty and liability — Information in this document is believed to be accurate and reliable. However, NXP Semiconductors does not give any representations or warranties, expressed or implied, as to the accuracy or completeness of such information and shall have no liability for the consequences of use of such information. NXP Semiconductors takes no responsibility for the content in this document if provided by an information source outside of NXP Semiconductors. In no event shall NXP Semiconductors be liable for any indirect, incidental, punitive, special or consequential damages (including - without limitation - lost profits, lost savings, business interruption, costs related to the removal or replacement of any products or rework charges) whether or not such damages are based on tort (including negligence), warranty, breach of contract or any other legal theory. Notwithstanding any damages that customer might incur for any reason whatsoever, NXP Semiconductors' aggregate and cumulative liability towards customer for the products described herein shall be limited in accordance with the Terms and conditions of commercial sale of NXP Semiconductors.

Right to make changes — NXP Semiconductors reserves the right to make changes to information published in this document, including without limitation specifications and product descriptions, at any time and without

notice. This document supersedes and replaces all information supplied prior to the publication hereof.

Applications — Applications that are described herein for any of these products are for illustrative purposes only. NXP Semiconductors makes no representation or warranty that such applications will be suitable for the specified use without further testing or modification. Customers are responsible for the design and operation of their applications and products using NXP Semiconductors products, and NXP Semiconductors accepts no liability for any assistance with applications or customer product design. It is customer's sole responsibility to determine whether the NXP Semiconductors product is suitable and fit for the customer's applications and products planned, as well as for the planned application and use of customer's third party customer(s). Customers should provide appropriate design and operating safeguards to minimize the risks associated with their applications and products. NXP Semiconductors does not accept any liability related to any default, damage, costs or problem which is based on any weakness or default in the customer's applications or products, or the application or use by customer's third party customer(s). Customer is responsible for doing all necessary testing for the customer's applications and products using NXP Semiconductors products in order to avoid a default of the applications and the products or of the application or use by customer's third party customer(s). NXP does not accept any liability in this respect.

Limiting values — Stress above one or more limiting values (as defined in the Absolute Maximum Ratings System of IEC 60134) will cause permanent damage to the device. Limiting values are stress ratings only and (proper) operation of the device at these or any other conditions above those given in the Recommended operating conditions section (if present) or the Characteristics sections of this document is not warranted. Constant or repeated exposure to limiting values will permanently and irreversibly affect the quality and reliability of the device.

Terms and conditions of commercial sale — NXP Semiconductors products are sold subject to the general terms and conditions of commercial sale, as published at <http://www.nxp.com/profile/terms>, unless otherwise agreed in a valid written individual agreement. In case an individual agreement is concluded only the terms and conditions of the respective agreement shall apply. NXP Semiconductors hereby expressly objects to applying the customer's general terms and conditions with regard to the purchase of NXP Semiconductors products by customer.

No offer to sell or license — Nothing in this document may be interpreted or construed as an offer to sell products that is open for acceptance or the grant, conveyance or implication of any license under any copyrights, patents or other industrial or intellectual property rights.

Suitability for use in automotive applications — This NXP Semiconductors product has been qualified for use in automotive applications. Unless otherwise agreed in writing, the product is not designed, authorized or warranted to be suitable for use in life support, life-critical or safety-critical systems or equipment, nor in applications where failure or malfunction of an NXP Semiconductors product can reasonably be expected

to result in personal injury, death or severe property or environmental damage. NXP Semiconductors and its suppliers accept no liability for inclusion and/or use of NXP Semiconductors products in such equipment or applications and therefore such inclusion and/or use is at the customer's own risk.

Export control — This document as well as the item(s) described herein may be subject to export control regulations. Export might require a prior authorization from competent authorities.

Translations — A non-English (translated) version of a document is for reference only. The English version shall prevail in case of any discrepancy between the translated and English versions.

37.4 Trademarks

Notice: All referenced brands, product names, service names and trademarks are the property of their respective owners.

NXP — is a trademark of NXP B.V.

Tables

Tab. 1.	Ordering information	2	Tab. 51.	FS_I_SVS register bit description	42
Tab. 2.	Pin description	4	Tab. 52.	FS_OVUVREG_STATUS register bit allocation	42
Tab. 3.	Connection of unused pins	6	Tab. 53.	FS_OVUVREG_STATUS register bit description	43
Tab. 4.	Maximum ratings	8	Tab. 54.	FS_SAFE_IOS register bit allocation	44
Tab. 5.	Thermal ratings	9	Tab. 55.	FS_SAFE_IOS register bit description	44
Tab. 6.	Electrical characteristics	10	Tab. 56.	FS_DIAG register bit allocation	45
Tab. 7.	Electrical characteristics	15	Tab. 57.	FS_DIAG register bit description	45
Tab. 8.	Main writing registers overview	17	Tab. 58.	FS_INTB_MASK register bit allocation	46
Tab. 9.	Main reading registers overview	18	Tab. 59.	FS_INTB_MASK register bit description	46
Tab. 10.	M_FLAG register bit allocation	18	Tab. 60.	FS_STATES register bit allocation	46
Tab. 11.	M_FLAG register bit description	19	Tab. 61.	FS_STATES register bit description	47
Tab. 12.	M_MODE register bit allocation	20	Tab. 62.	Main OTP_REGISTERS	48
Tab. 13.	M_MODE register bit description	20	Tab. 63.	Fail-safe OTP_REGISTERS	49
Tab. 14.	M_REG_CTRL1 register bit allocation	21	Tab. 64.	Main OTP bit description	49
Tab. 15.	M_REG_CTRL1 register bit description	21	Tab. 65.	Fail-safe OTP bit description	61
Tab. 16.	M_REG_CTRL2 register bit allocation	23	Tab. 66.	Best of supply electrical characteristics	67
Tab. 17.	M_REG_CTRL2 register bit description	23	Tab. 67.	VPRE electrical characteristics	71
Tab. 18.	M_AMUX register bit allocation	25	Tab. 68.	VPRE external MOSFETs recommendation	74
Tab. 19.	M_AMUX register bit description	25	Tab. 69.	Output current capability	76
Tab. 20.	M_CLOCK register bit allocation	25	Tab. 70.	VBOOST electrical characteristics	79
Tab. 21.	M_CLOCK register bit description	25	Tab. 71.	BUCK1 and BUCK2 electrical characteristics	84
Tab. 22.	M_INT_MASK1 register bit allocation	26	Tab. 72.	BUCK3 electrical characteristics	89
Tab. 23.	M_INT_MASK1 register bit description	27	Tab. 73.	LDO1 and LDO2 electrical characteristics	93
Tab. 24.	M_INT_MASK2 register bit allocation	28	Tab. 74.	Manual frequency tuning configuration	95
Tab. 25.	M_INT_MASK2 register bit description	28	Tab. 75.	FOUT multiplexer selection	96
Tab. 26.	M_FLAG1 register bit allocation	30	Tab. 76.	Electrical characteristics	97
Tab. 27.	M_FLAG1 register bit description	30	Tab. 77.	AMUX output selection	98
Tab. 28.	M_FLAG2 register bit allocation	32	Tab. 78.	AMUX electrical characteristics	99
Tab. 29.	M_FLAG2 register bit description	32	Tab. 79.	WAKE1, WAKE2 electrical characteristics	100
Tab. 30.	M_VMON_REG1 register bit allocation	34	Tab. 80.	INTB electrical characteristics	101
Tab. 31.	M_VMON_REG1 register bit description	34	Tab. 81.	List of interrupts from main logic	101
Tab. 32.	M_LVB1_SVS register bit allocation	34	Tab. 82.	List of interrupts from fail-safe logic	102
Tab. 33.	M_LVB1_SVS register bit description	35	Tab. 83.	PSYNC electrical characteristics	104
Tab. 34.	M_MEMORY0 register bit allocation	35	Tab. 84.	I2C message arrangement	105
Tab. 35.	M_MEMORY0 register bit description	35	Tab. 85.	CRC results example	106
Tab. 36.	M_MEMORY1 register bit allocation	36	Tab. 86.	I2C electrical characteristics	106
Tab. 37.	M_MEMORY1 register bit description	36	Tab. 87.	VCOREMON error impact configuration	108
Tab. 38.	M_DEVICEID register bit allocation	36	Tab. 88.	VCOREMON electrical characteristics	109
Tab. 39.	M_DEVICEID register bit description	36	Tab. 89.	SVS offset configuration	109
Tab. 40.	Fail-safe writing registers overview	37	Tab. 90.	VDDIO error impact configuration	111
Tab. 41.	Fail-safe reading registers overview	38	Tab. 91.	VDDIO electrical characteristics	111
Tab. 42.	FS_GRL_FLAGS register bit allocation	38	Tab. 92.	VMON1 error impact configuration	112
Tab. 43.	FS_GRL_FLAGS register bit description	39	Tab. 93.	VMON1 (without ext resistor accuracy) electrical characteristics	112
Tab. 44.	FS_I_OVUV_SAFE_REACTION1 register bit allocation	39	Tab. 94.	Application related fail-safe fault list and reaction	113
Tab. 45.	FS_I_OVUV_SAFE_REACTION1 register bit description	39	Tab. 95.	Fault error counter configuration	114
Tab. 46.	FS_I_OVUV_SAFE_REACTION2 register bit allocation	40	Tab. 96.	PGOOD electrical characteristics	115
Tab. 47.	FS_I_OVUV_SAFE_REACTION2 register bit description	40	Tab. 97.	RSTB electrical characteristics	116
Tab. 48.	FS_I_FSSM register bit allocation	40	Tab. 98.	Regulators setup for the EMC tests	124
Tab. 49.	FS_I_FSSM register bit description	40	Tab. 99.	Revision history	125
Tab. 50.	FS_I_SVS register bit allocation	41			

Figures

Fig. 1.	Simplified application diagram of VR5500	2	Fig. 30.	BUCK1,2,3_clk = 2.22 MHz without clock phase shifting	94
Fig. 2.	Block diagram of VR5500	3	Fig. 31.	BUCK1,2,3_clk = 2.22 MHz with clock phase shifting	95
Fig. 3.	Pin configuration for HVQFN56	4	Fig. 32.	AMUX block diagram	98
Fig. 4.	Operating range	9	Fig. 33.	Optional 1.8 V ADC use case	100
Fig. 5.	Simplified functional state diagram	11	Fig. 34.	Synchronization of two VR5500	102
Fig. 6.	Power sequencing (VREGx PWR_UP)	13	Fig. 35.	Two VR5500 synchronization timing diagram	103
Fig. 7.	Power-up sequence example	14	Fig. 36.	Synchronization of one VR5500 and one external PMIC (PF82)	103
Fig. 8.	Debug mode entry	15	Fig. 37.	VR5500 and one external PMIC (PF82) synchronization timing diagram	104
Fig. 9.	VPRE schematic	68	Fig. 38.	CRC encoder example	106
Fig. 10.	Type 2 compensation network concept	69	Fig. 39.	VR5500 application diagram	107
Fig. 11.	Phase and gain margin simulation	70	Fig. 40.	Fail-safe block diagram	108
Fig. 12.	Transient response simulation	71	Fig. 41.	SVS principle	110
Fig. 13.	MOSFET gate charge definition	74	Fig. 42.	VDDIO monitoring principle	110
Fig. 14.	VPRE theoretical efficiency	75	Fig. 43.	VMON1 monitoring principle	112
Fig. 15.	BOOST schematic	77	Fig. 44.	PGOOD pin implementation	114
Fig. 16.	Phase and gain margin simulation	78	Fig. 45.	RSTB pin implementation	115
Fig. 17.	Transient response simulation	79	Fig. 46.	Package outline for HPQFN56 (SOT684-23)	117
Fig. 18.	BUCK1/2 standalone schematic	81	Fig. 47.	Package outline detail for HPQFN56 (SOT684-23)	118
Fig. 19.	BUCK1/2 multiphase schematic	82	Fig. 48.	Package outline notes for HPQFN56 (SOT684-23)	118
Fig. 20.	Phase and gain margin simulation	83	Fig. 49.	Solder mask pattern	119
Fig. 21.	Transient response simulation	84	Fig. 50.	I/O pads and solderable areas	120
Fig. 22.	BUCK1 and BUCK2 theoretical efficiency	86	Fig. 51.	Solder paste stencil	121
Fig. 23.	BUCK3 schematic	87			
Fig. 24.	Phase and gain margin simulation	88			
Fig. 25.	Transient response simulation	89			
Fig. 26.	BUCK3 theoretical efficiency	91			
Fig. 27.	LDO1 block diagram	92			
Fig. 28.	LDO2 block diagram	92			
Fig. 29.	Clock management block diagram	94			

Contents

1	General description	1	18	OTP bits configuration	48
2	Features and benefits	1	18.1	Overview	48
3	Simplified application diagram	2	18.2	Main OTP bit description	49
4	Ordering information	2	18.3	Fail-safe OTP bit description	61
5	Applications	2	19	Best of supply	66
6	Block diagram	3	19.1	Functional description	66
7	Pinning information	4	19.2	Best of supply electrical characteristics	67
7.1	Pinning	4	20	High voltage buck: VPRE	67
7.2	Pin description	4	20.1	Functional description	67
8	Connection of unused pins	6	20.2	Application schematic	68
9	Maximum ratings	8	20.3	Compensation network and stability	68
10	Electrostatic discharge	8	20.4	VPRE electrical characteristics	71
10.1	Human body model (JEDEC22/A114)	8	20.5	VPRE external MOSFETs	74
10.2	Charged device model	8	20.6	VPRE efficiency	75
10.3	Discharged contact test	8	20.7	VPRE not populated	75
11	Operating range	9	21	Low voltage boost: VBOOST	75
12	Thermal ratings	9	21.1	Functional description	75
13	Characteristics	10	21.2	Application schematic	77
14	Functional description	10	21.3	Compensation network and stability	77
14.1	Simplified functional state diagram	11	21.4	VBOOST electrical characteristics	79
14.2	Main state machine	11	21.5	VBOOST not populated	80
14.3	Fail-safe state machine	12	22	Low voltage buck: BUCK1 and BUCK2	80
14.4	Power sequencing	12	22.1	Functional description	80
14.5	Debug mode	14	22.2	Application schematic: Single phase mode	81
15	Register mapping	16	22.3	Application schematic: Dual phase mode	81
16	Main register mapping	17	22.4	Compensation network and stability	82
16.1	Main writing registers overview	17	22.5	BUCK1 and BUCK2 electrical characteristics	84
16.2	Main reading registers overview	18	22.6	BUCK1 and BUCK2 efficiency	86
16.3	M_FLAG register	18	23	Low voltage buck: BUCK3	86
16.4	M_MODE register	20	23.1	Functional description	86
16.5	M_REG_CTRL1 register	21	23.2	Application schematic	87
16.6	M_REG_CTRL2 register	23	23.3	Compensation network and stability	87
16.7	M_AMUX register	25	23.4	BUCK3 electrical characteristics	89
16.8	M_CLOCK register	25	23.5	BUCK3 efficiency	90
16.9	M_INT_MASK1 register	26	24	Linear voltage regulator: LDO1, LDO2	91
16.10	M_INT_MASK2 register	28	24.1	Functional description	91
16.11	M_FLAG1 register	30	24.2	Application schematics	92
16.12	M_FLAG2 register	32	24.3	LDO1 and LDO2 electrical characteristics	93
16.13	M_VMON_REG1 register	34	25	Clock management	93
16.14	M_LVB1_SVS register	34	25.1	Clock description	93
16.15	M_MEMORY0 register	35	25.2	Phase shifting	94
16.16	M_MEMORY1 register	36	25.3	Manual frequency tuning	95
16.17	M_DEVICEID register	36	25.4	Spread spectrum	95
17	Fail-safe register mapping	37	25.5	External clock synchronization	96
17.1	Fail-safe writing registers overview	37	25.6	Electrical characteristics	97
17.2	Fail-safe reading registers overview	38	26	Analog multiplexer: AMUX	98
17.3	FS_GRL_FLAGS register	38	26.1	Functional description	98
17.4	FS_I_OVUV_SAFE_REACTION1 register	39	26.2	Block diagram	98
17.5	FS_I_OVUV_SAFE_REACTION2 register	40	26.3	AMUX channel selection	98
17.6	FS_I_FSSM register	40	26.4	AMUX electrical characteristics	99
17.7	FS_I_SVS register	41	26.5	1.8 V MCU ADC input use case	99
17.8	FS_OVUVREG_STATUS register	42	27	I/O interface pins	100
17.9	FS_SAFE_IOs register	44	27.1	WAKE1, WAKE2	100
17.10	FS_DIAG register	45	27.2	INTB	101
17.11	FS_INTB_MASK register	46	27.3	PSYNC for two VR5500	102
17.12	FS_STATES register	46	27.4	PSYNC for VR5500 and external PMIC	103

28	I2C interface	104
28.1	I2C interface overview	104
28.2	Device address	105
28.3	Cyclic redundant check	105
28.4	I2C electrical characteristics	106
29	Application information	107
30	Fail-safe domain description	107
30.1	Functional description	107
30.2	Voltage supervisor	108
30.2.1	VCOREMON monitoring	108
30.2.2	Static voltage scaling (SVS)	109
30.2.3	VDDIO monitoring	110
30.2.4	VMON1 monitoring	111
30.3	Fault management	113
30.3.1	Fault source and reaction	113
30.3.2	Fault error counter	113
30.4	PGOOD, RSTB	114
30.4.1	PGOOD	114
30.4.2	RSTB	115
31	Package information	116
32	Package outline	117
33	Layout and PCB guidelines	119
33.1	Landing pad information	119
33.2	Component selection	121
33.3	VPRE	121
33.4	VBUCKx	122
34	EMC compliance	123
35	References	124
36	Revision history	125
37	Legal information	126

Please be aware that important notices concerning this document and the product(s) described herein, have been included in section 'Legal information'.

© NXP B.V. 2020.

All rights reserved.

For more information, please visit: <http://www.nxp.com>

For sales office addresses, please send an email to: salesaddresses@nxp.com

Date of release: 29 January 2020
Document identifier: VR5500

X-ON Electronics

Largest Supplier of Electrical and Electronic Components

Click to view similar products for [Power Management Specialised - PMIC category](#):

Click to view products by [NXP manufacturer](#):

Other Similar products are found below :

[LV5686PVC-XH](#) [FAN7710VN](#) [NCP391FCALT2G](#) [SLG7NT4081VTR](#) [SLG7NT4192VTR](#) [AP4313UKTR-G1](#) [AS3729B-BWLM](#)
[MB39C831QN-G-EFE2](#) [MAX4940MB](#) [LV56841PVD-XH](#) [MAX77686EWE+T](#) [AP4306BUKTR-G1](#) [MIC5164YMM](#) [PT8A3252WE](#)
[NCP392CSFCCT1G](#) [TEA1998TS/1H](#) [PT8A3284WE](#) [PI3VST01ZEEX](#) [PI5USB1458AZAEX](#) [PI5USB1468AZAEX](#) [MCP16502TAC-E/S8B](#)
[MCP16502TAE-E/S8B](#) [MCP16502TAA-E/S8B](#) [MCP16502TAB-E/S8B](#) [TCKE712BNL,RF](#) [ISL91211AIKZT7AR5874](#)
[ISL91211BIKZT7AR5878](#) [MAX17506EVKITBE#](#) [MCP16501TC-E/RMB](#) [ISL91212AIIZ-TR5770](#) [ISL91212BIIZ-TR5775](#) [CPX200D](#) [AX-](#)
[3005D-3](#) [TP-1303](#) [TP-1305](#) [TP-1603](#) [TP-2305](#) [TP-30102](#) [TP-4503N](#) [MIC5167YML-TR](#) [LPTM21-1AFTG237C](#) [MPS-3003L-3](#) [MPS-3005D](#)
[SPD-3606](#) [STLUX383A](#) [TP-60052](#) [ADN8834ACBZ-R7](#) [LM26480SQ-AA/NOPB](#) [LM81BIMTX-3/NOPB](#) [LM81CIMT-3/NOPB](#)