

MCF5208 ColdFire® Microprocessor Data Sheet

Supports MCF5207 & MCF5208

by: Microcontroller Solutions Group

The MCF5207 and MCF5208 devices are highly-integrated, 32-bit microprocessors based on the version 2 ColdFire microarchitecture. Both devices contain a 16-Kbyte internal SRAM, an 8-Kbyte configurable cache, a 2-bank SDR/DDR SDRAM controller, a 16-channel DMA controller, up to three UARTs, a queued SPI, a low-power management mode module, and other peripherals that enable the MCF5207 and MCF5208 for use in industrial control and connectivity applications. The MCF5208 device also features a 10/100 Mbps fast ethernet controller.

This document provides detailed information on power considerations, DC/AC electrical characteristics, and AC timing specifications of the MCF5207 and MCF5208 microprocessors. It was written from the perspective of the MCF5208 device. See the following section for a summary of differences between the two devices.

Table of Contents

1	MCF5207/8 Device Configurations.....	2
2	Ordering Information	2
3	Signal Descriptions.....	3
4	Mechanicals and Pinouts	8
5	Electrical Characteristics	17
6	Revision History	43

1 MCF5207/8 Device Configurations

The following table compares the two devices described in this document:

Table 1. MCF5207 & MCF5208 Configurations

Module	MCF5207	MCF5208
Version 2 ColdFire Core with EMAC (Enhanced Multiply-Accumulate Unit)	•	•
Core (System) Clock	up to 166.67 MHz	
Peripheral and External Bus Clock (Core clock ÷ 2)	up to 83.33 MHz	
Performance (Dhrystone/2.1 MIPS)	up to 159	
Instruction/Data Cache	8 Kbytes	
Static RAM (SRAM)	16 Kbytes	
SDR/DDR SDRAM Controller	•	•
Fast Ethernet Controller (FEC)	—	•
Low-Power Management Module	•	•
UARTs	3	3
I ² C	•	•
QSPI	•	•
32-bit DMA Timers	4	4
Watchdog Timer (WDT)	•	•
Periodic Interrupt Timers (PIT)	4	4
Edge Port Module (EPORT)	•	•
Interrupt Controllers (INTC)	1	1
16-channel Direct Memory Access (DMA)	•	•
FlexBus External Interface	•	•
General Purpose I/O Module (GPIO)	•	•
JTAG - IEEE [®] 1149.1 Test Access Port	•	•
Package	144 LQFP 144 MAPBGA	160 QFP 196 MAPBGA

2 Ordering Information

Table 2. Orderable Part Numbers

Freescale Part Number	Description	Speed	Temperature
MCF5207CAG166	MCF5207 RISC Microprocessor, 144 LQFP	166.67 MHz	−40° to +85° C
MCF5207CVM166	MCF5207 RISC Microprocessor, 144 MAPBGA	166.67 MHz	−40° to +85° C
MCF5208CAB166	MCF5208 RISC Microprocessor, 160 QFP	166.67 MHz	−40° to +85° C
MCF5208CVM166	MCF5208 RISC Microprocessor, 196 MAPBGA	166.67 MHz	−40° to +85° C

3 Signal Descriptions

The following table lists all the MCF5208 pins grouped by function. The Dir column is the direction for the primary function of the pin only. Refer to [Section 4, “Mechanicals and Pinouts”](#) for package diagrams. For a more detailed discussion of the MCF5208 signals, consult the *MCF5208 Reference Manual* (MCF5208RM).

NOTE

In this table and throughout this document, a single signal within a group is designated without square brackets (i.e., A23), while designations for multiple signals within a group use brackets (i.e., A[23:21]) and is meant to include all signals within the two bracketed numbers when these numbers are separated by a colon.

NOTE

The primary functionality of a pin is not necessarily its default functionality. Pins that are muxed with GPIO default to their GPIO functionality.

Table 3. MCF5207/8 Signal Information and Muxing

Signal Name	GPIO	Alternate 1	Alternate 2	Dir. ¹	Voltage Domain	MCF5207 144 LQFP	MCF5207 144 MAPBGA	MCF5208 160 QFP	MCF5208 196 MAPBGA
Reset									
$\overline{\text{RESET}}^2$	—	—	—	I	EVDD	82	J10	90	J14
$\overline{\text{RSTOUT}}$	—	—	—	O	EVDD	74	M12	82	N14
Clock									
EXTAL	—	—	—	I	EVDD	78	K12	86	L14
XTAL	—	—	—	O	EVDD	80	J12	88	K14
FB_CLK	—	—	—	O	SDVDD	34	L1	40	N1
Mode Selection									
$\overline{\text{RCON}}^2$	—	—	—	I	EVDD	144	C4	160	C3
DRAMSEL	—	—	—	I	EVDD	79	H10	87	K11
FlexBus									
A[23:22]	—	$\overline{\text{FB_CS}}[5:4]$	—	O	SDVDD	118, 117	B9, A10	126, 125	B11, A11
A[21:16]	—	—	—	O	SDVDD	116–114, 112, 108, 107	C9, A11, B10, A12, C11, B11	124, 123, 122, 120, 116, 115	B12, A12, A13, B13, B14, C13
A[15:14]	—	SD_BA[1:0] ³	—	O	SDVDD	106, 105	B12, C12	114, 113	C14, D12
A[13:11]	—	SD_A[13:11] ³	—	O	SDVDD	104–102	D11, E10, D12	112, 111, 110	D13, D14, E11
A10	—	—	—	O	SDVDD	101	C10	109	E12

Table 3. MCF5207/8 Signal Information and Muxing (continued)

Signal Name	GPIO	Alternate 1	Alternate 2	Dir. ¹	Voltage Domain	MCF5207 144 LQFP	MCF5207 144 MAPBGA	MCF5208 160 QFP	MCF5208 196 MAPBGA
A[9:0]	—	SD_A[9:0] ³	—	O	SDVDD	100–91	E11, D9, E12, F10, F11, E9, F12, G10, G12, F9	108–99	E13, E14, F11–F14, G11–G14
D[31:16]	—	SD_D[31:16] ⁴	—	I/O	SDVDD	21–28, 40–47	F1, F2, G1, G2, G4, G3, H1, H2, K3, L2, L3, K2, M3, J4, M4, K4	27–34, 46–53	J4–J1, K4–K1, M3, N3, M4, N4, P4, L5, M5, N5
D[15:0]	—	FB_D[31:16] ⁴	—	I/O	SDVDD	8–15, 51–58	B2, B1, C2, C1, D2, D1, E2, E1, L5, K5, L6, J6, M6, J7, L7, K7	16–23, 57–64	F3–F1, G4–G1, H1, N6, P6, L7, M7, N7, P7, N8, P8
$\overline{\text{BE}}/\overline{\text{BWE}}[3:0]$	PBE[3:0]	$\overline{\text{SD_DQM}}[3:0]$ ³	—	O	SDVDD	20, 48, 18, 50	F4, L4, E3, J5	26, 54, 24, 56	H2, P5, H4, M6
$\overline{\text{OE}}$	PBUSCTL3	—	—	O	SDVDD	60	J8	66	M8
$\overline{\text{TA}}^2$	PBUSCTL2	—	—	I	SDVDD	90	G11	98	H14
$\overline{\text{RW}}$	PBUSCTL1	—	—	O	SDVDD	59	K6	65	L8
$\overline{\text{TS}}$	PBUSCTL0	$\overline{\text{DACK0}}$	—	O	SDVDD	4	B3	12	E3
Chip Selects									
$\overline{\text{FB_CS}}[3:2]$	PCS[3:2]	—	—	O	SDVDD	119, 120	D7, A9	—	C11, A10
$\overline{\text{FB_CS1}}$	PCS1	$\overline{\text{SD_CS1}}$	—	O	SDVDD	121	C8	127	B10
$\overline{\text{FB_CS0}}$	—	—	—	O	SDVDD	122	B8	128	C10
SDRAM Controller									
SD_A10	—	—	—	O	SDVDD	37	M1	43	N2
SD_CKE	—	—	—	O	SDVDD	6	C3	14	E1
SD_CLK	—	—	—	O	SDVDD	31	J1	37	L1
$\overline{\text{SD_CLK}}$	—	—	—	O	SDVDD	32	K1	38	M1
$\overline{\text{SD_CS0}}$	—	—	—	O	SDVDD	7	A1	15	F4
SD_DQS[3:2]	—	—	—	O	SDVDD	19, 49	F3, M5	25, 55	H3, L6
$\overline{\text{SD_SCAS}}$	—	—	—	O	SDVDD	38	M2	44	P2
$\overline{\text{SD_SRAS}}$	—	—	—	O	SDVDD	39	J2	45	P3
SD_SDR_DQS	—	—	—	O	SDVDD	29	H3	35	L3
$\overline{\text{SD_WE}}$	—	—	—	O	SDVDD	5	D3	13	E2

Table 3. MCF5207/8 Signal Information and Muxing (continued)

Signal Name	GPIO	Alternate 1	Alternate 2	Dir. ¹	Voltage Domain	MCF5207 144 LQFP	MCF5207 144 MAPBGA	MCF5208 160 QFP	MCF5208 196 MAPBGA
External Interrupts Port⁵									
$\overline{\text{IRQ7}}^2$	PIRQ7 ²	—	—	I	EVDD	134	A5	142	C7
$\overline{\text{IRQ4}}^2$	PIRQ4 ²	$\overline{\text{DREQ0}}^2$	—	I	EVDD	133	C6	141	D7
$\overline{\text{IRQ1}}^2$	PIRQ1 ²	—	—	I	EVDD	132	B6	140	D8
FEC									
FEC_MDC	PFECI2C3	I2C_SCL ²	U2TXD	O	EVDD	—	—	148	D6
FEC_MDIO	PFECI2C2	I2C_SDA ²	U2RXD	I/O	EVDD	—	—	147	C6
FEC_TXCLK	PFECH7	—	—	I	EVDD	—	—	157	B3
—	PFECH6	—	$\overline{\text{U1RTS}}$	O	EVDD	142	A2	—	—
FEC_TXEN	PFECH6	—	$\overline{\text{U1RTS}}$	O	EVDD	—	—	158	A2
FEC_TXD0	PFECH5	—	—	O	EVDD	—	—	3	B1
FEC_COL	PFECH4	—	—	I	EVDD	—	—	7	D3
FEC_RXCLK	PFECH3	—	—	I	EVDD	—	—	154	B4
FEC_RXDV	PFECH2	—	—	I	EVDD	—	—	153	A4
FEC_RXD0	PFECH1	—	—	I	EVDD	—	—	152	D5
FEC_CRS	PFECH0	—	—	I	EVDD	—	—	8	D2
FEC_TXD[3:1]	PFECL[7:5]	—	—	O	EVDD	—	—	6–4	C1, C2, B2
—	PFECL4	—	$\overline{\text{U0RTS}}$	O	EVDD	141	D5	—	—
FEC_TXER	PFECL4	—	$\overline{\text{U0RTS}}$	O	EVDD	—	—	156	A3
FEC_RXD[3:2]	PFECL[3:2]	—	—	I	EVDD	—	—	149–150	A5, B5
—	PFECL1	—	$\overline{\text{U1CTS}}$	I	EVDD	139	B4	—	—
FEC_RXD1	PFECL1	—	$\overline{\text{U1CTS}}$	I	EVDD	—	—	151	C5
—	PFECL0	—	$\overline{\text{U0CTS}}$	I	EVDD	140	E4	—	—
FEC_RXER	PFECL0	—	$\overline{\text{U0CTS}}$	I	EVDD	—	—	155	C4
Note: The MCF5207 does not contain an FEC module. However, the UART0 and UART1 control signals (as well as their GPIO signals) are available by setting the appropriate FEC GPIO port registers.									
I²C									
I2C_SDA ²	PFECI2C0 ²	U2RXD ²	—	I/O	EVDD	—	—	—	D1
I2C_SCL ²	PFECI2C1 ²	U2TXD ²	—	I/O	EVDD	—	—	—	E4
DMA									
$\overline{\text{DACK0}}$ and $\overline{\text{DREQ0}}$ do not have a dedicated bond pads. Please refer to the following pins for muxing: $\overline{\text{TS}}$ and QSPI_CS2 for $\overline{\text{DACK0}}$, $\overline{\text{IRQ4}}$ and QSPI_DIN for $\overline{\text{DREQ0}}$.									

Table 3. MCF5207/8 Signal Information and Muxing (continued)

Signal Name	GPIO	Alternate 1	Alternate 2	Dir. ¹	Voltage Domain	MCF5207 144 LQFP	MCF5207 144 MAPBGA	MCF5208 160 QFP	MCF5208 196 MAPBGA
QSPI									
QSPI_CS2	PQSPI3	$\overline{\text{DACK0}}$	$\overline{\text{U2RTS}}$	O	EVDD	126	A8	132	D10
QSPI_CLK	PQSPI0	I2C_SCL ²	—	O	EVDD	127	C7	133	A9
QSPI_DOUT	PQSPI1	I2C_SDA ²	—	O	EVDD	128	A7	134	B9
QSPI_DIN	PQSPI2	$\overline{\text{DREQ0}}^2$	$\overline{\text{U2CTS}}$	I	EVDD	129	B7	135	C9
Note: The QSPI_CS1 and QSPI_CS0 signals are available on the U1CTS, U1RTS, U0CTS, or U0RTS pins for the 196 and 160-pin packages.									
UARTs									
$\overline{\text{U1CTS}}$	PUARTL7	DT1IN	QSPI_CS1	I	EVDD	—	—	136	D9
$\overline{\text{U1RTS}}$	PUARTL6	DT1OUT	QSPI_CS1	O	EVDD	—	—	137	C8
U1TXD	PUARTL5	—	—	O	EVDD	131	A6	139	A8
U1RXD	PUARTL4	—	—	I	EVDD	130	D6	138	B8
$\overline{\text{U0CTS}}$	PUARTL3	DT0IN	QSPI_CS0	I	EVDD	—	—	76	N12
$\overline{\text{U0RTS}}$	PUARTL2	DT0OUT	QSPI_CS0	O	EVDD	—	—	77	P12
U0TXD	PUARTL1	—	—	O	EVDD	71	L10	79	P13
U0RXD	PUARTL0	—	—	I	EVDD	70	M10	78	N13
Note: The UART2 signals are multiplexed on the DMA Timers, QSPI, FEC, and I2C pins. For the MCF5207 devices, the UART0 and UART1 control signals are multiplexed internally on the FEC signals.									
DMA Timers									
DT3IN	PTIMER3	DT3OUT	$\overline{\text{U2CTS}}$	I	EVDD	135	B5	143	B7
DT2IN	PTIMER2	DT2OUT	$\overline{\text{U2RTS}}$	I	EVDD	136	C5	144	A7
DT1IN	PTIMER1	DT1OUT	U2RXD	I	EVDD	137	A4	145	A6
DT0IN	PTIMER0	DT0OUT	U2TXD	I	EVDD	138	A3	146	B6
BDM/JTAG⁶									
JTAG_EN ⁷	—	—	—	I	EVDD	83	J11	91	J13
DSCLK	—	$\overline{\text{TRST}}^2$	—	I	EVDD	76	K11	84	L12
PSTCLK	—	TCLK ²	—	O	EVDD	64	M7	70	P9
$\overline{\text{BKPT}}$	—	TMS ²	—	I	EVDD	75	L12	83	M14
DSI	—	TDI ²	—	I	EVDD	77	H9	85	K12
DSO	—	TDO	—	O	EVDD	69	M9	75	M12
DDATA[3:0]	—	—	—	O	EVDD	—	K9, L9, M11, M8	—	P11, N11, M11, P10
PST[3:0]	—	—	—	O	EVDD	—	L11, L8, K10, K8	—	N10, M10, L10, L9

Table 3. MCF5207/8 Signal Information and Muxing (continued)

Signal Name	GPIO	Alternate 1	Alternate 2	Dir. ¹	Voltage Domain	MCF5207 144 LQFP	MCF5207 144 MAPBGA	MCF5208 160 QFP	MCF5208 196 MAPBGA
ALLPST	—	—	—	O	EVDD	67	—	73	—
Test									
TEST ⁷	—	—	—	I	EVDD	109	—	—	C12
PLL_TEST	—	—	—	I	EVDD	—	—	—	M13
Power Supplies									
EVDD	—	—	—	—	—	1, 33, 63, 66, 72, 81, 87, 125	E5–E6, F5, G8–G9, H7–H8	2, 9, 69, 72, 80, 89, 95, 131	E5–E7, F5, F6, G5, H10, J9, J10, K8–K10, K13, M9
IVDD	—	—	—	—	—	30, 68, 84, 113, 143	D4, D8, H4, H11, J9	36, 74, 92, 121, 159	J12, D4, D11, H11, L4, L11,
PLL_VDD	—	—	—	—	—	86	H12	94	H13
SD_VDD	—	—	—	—	—	3, 17, 35, 61, 89, 110, 123	E7–E8, F8, G5, H5–H6, J3	11, 39, 41, 67, 97, 118, 129	E8–E10, F9, F10, G10, H5, J5, J6, K5–K7, L2
VSS	—	—	—	—	—	2, 16, 36, 62, 65, 73, 88, 111, 124	D10, F6–F7, G6–G7	1, 10, 42, 68, 71, 81, 96, 117, 119, 130	A1, A14, F7–F8, G6–G9, H6–H9, J7–J8, L13, M2, N9, P1, P14
PLL_VSS	—	—	—	—	—	85	—	93	H12

NOTES:

- ¹ Refers to pin's primary function.
- ² Pull-up enabled internally on this signal for this mode.
- ³ The SDRAM functions of these signals are not programmable by the user. They are dynamically switched by the processor when accessing SDRAM memory space and are included here for completeness.
- ⁴ Primary functionality selected by asserting the DRAMSEL signal (SDR mode). Alternate functionality selected by negating the DRAMSEL signal (DDR mode). The GPIO module is not responsible for assigning these pins.
- ⁵ GPIO functionality is determined by the edge port module. The GPIO module is only responsible for assigning the alternate functions.
- ⁶ If JTAG_EN is asserted, these pins default to Alternate 1 (JTAG) functionality. The GPIO module is not responsible for assigning these pins.
- ⁷ Pull-down enabled internally on this signal for this mode.

4 Mechanicals and Pinouts

Drawings in this section show the pinout and the packaging and mechanical characteristics of the MCF5207 and MCF5208 devices.

NOTE

The mechanical drawings are the latest revisions at the time of publication of this document. The most up-to-date mechanical drawings can be found at the product summary page located at <http://www.freescale.com/coldfire>.

4.1 Pinout—144 LQFP

Figure 1 shows a pinout of the MCF5207CAG166 device.

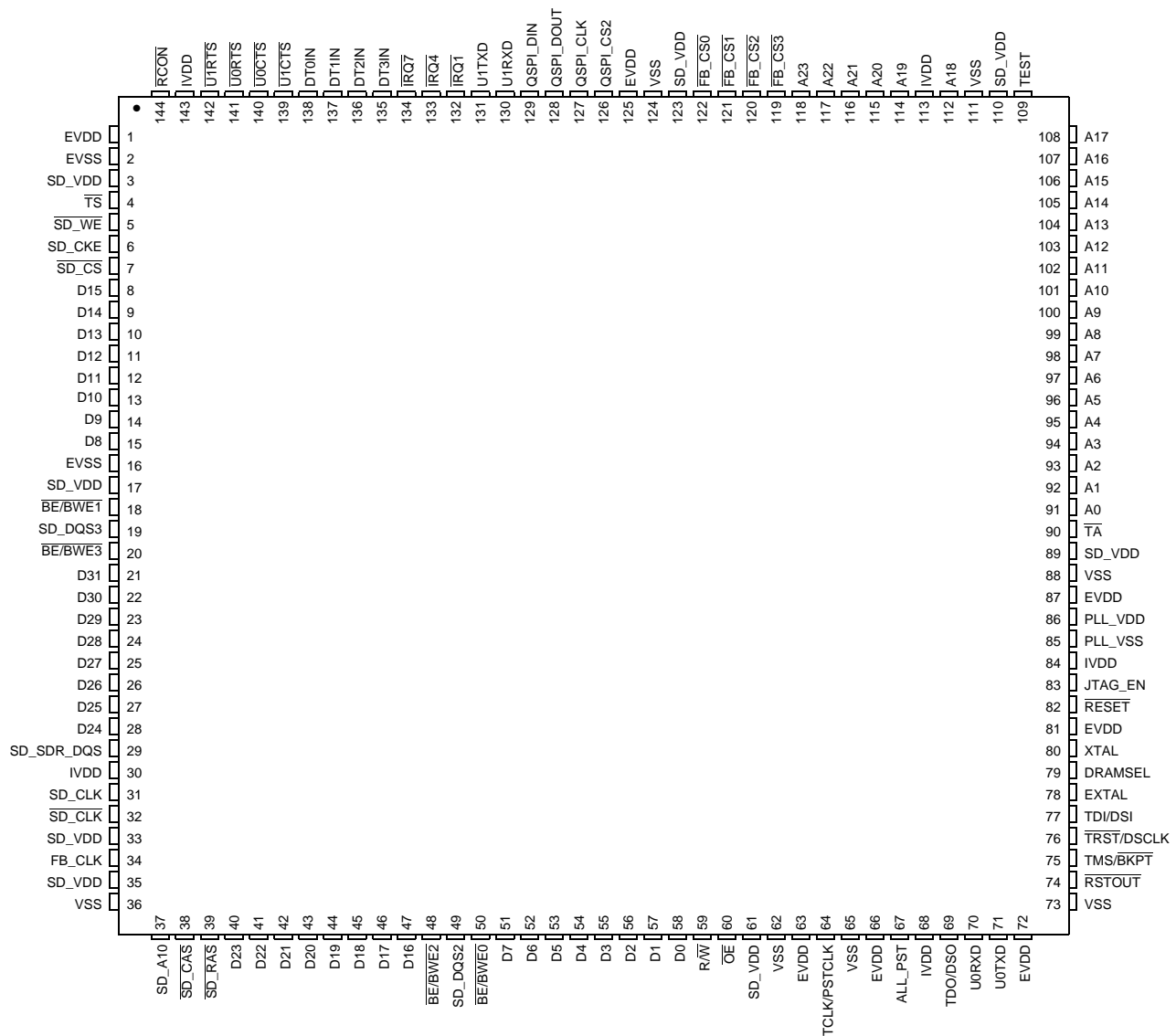


Figure 1. MCF5207CAG166 Pinout Top View (144 LQFP)

4.2 Package Dimensions—144 LQFP

Figure 2 and Figure 3 show MCF5207CAB166 package dimensions.

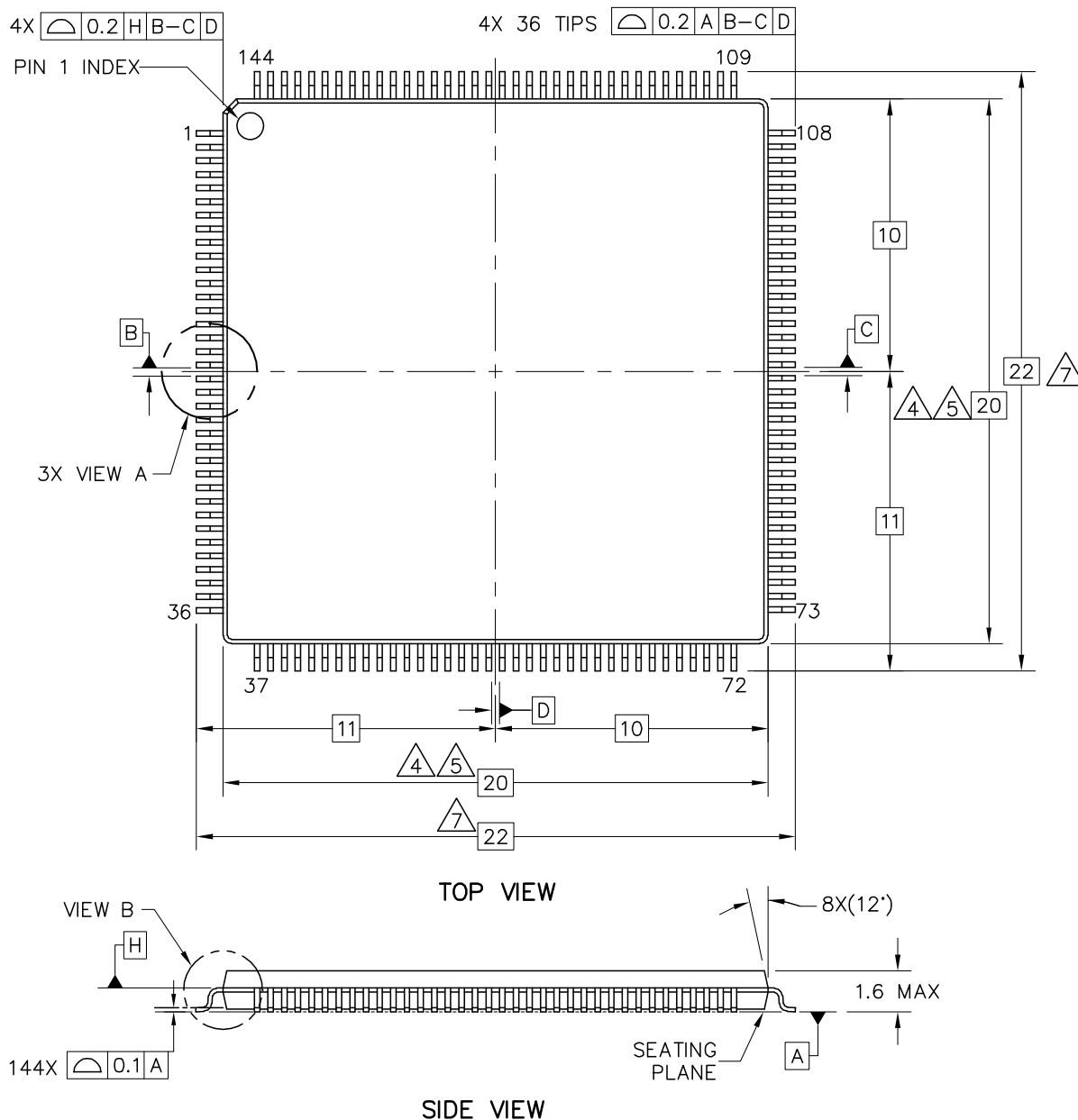
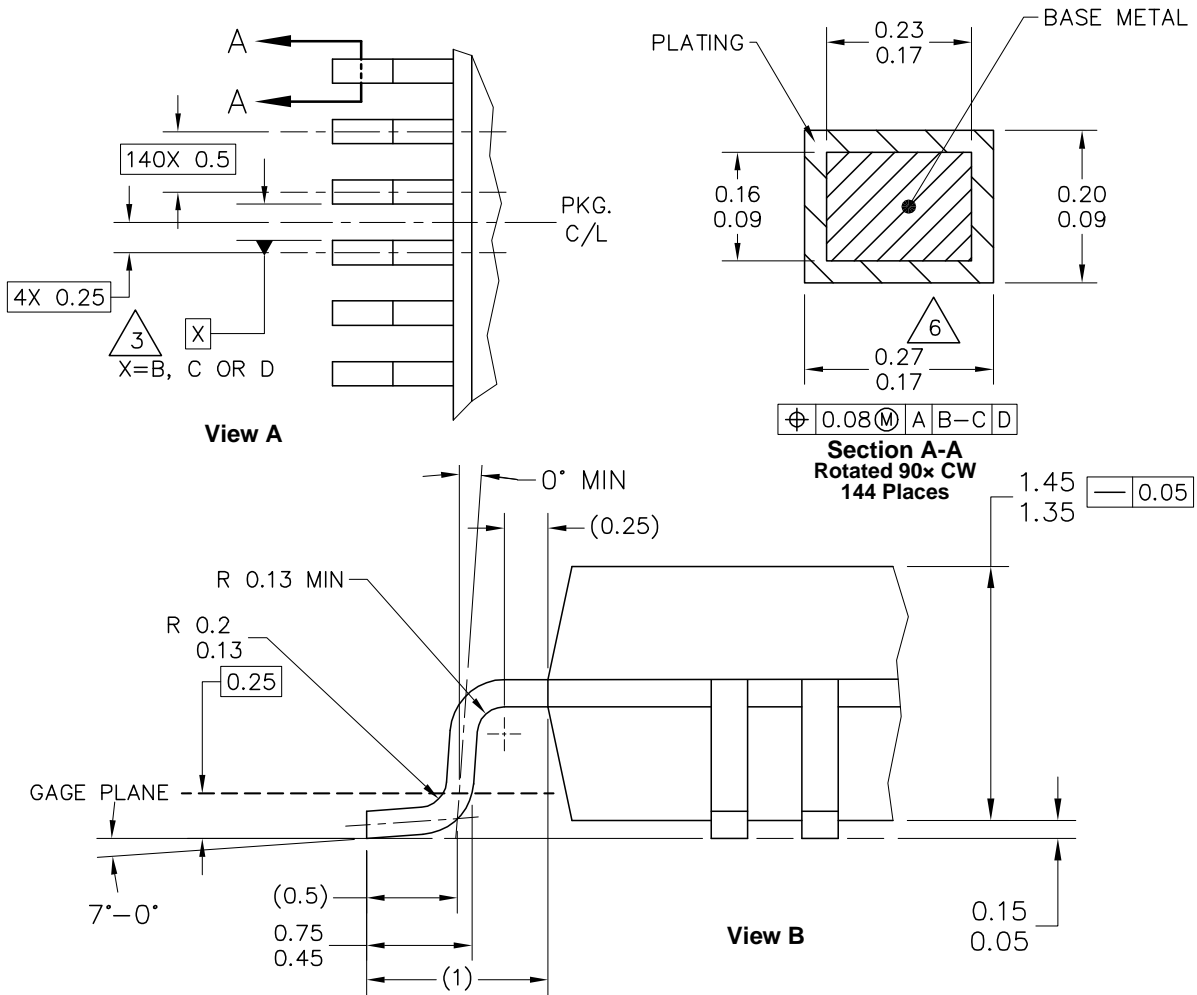


Figure 2. MCF5207CAB166 Package Dimensions (Sheet 1 of 2)



NOTES:

1. ALL DIMENSIONS ARE IN MILLIMETERS.
2. INTERPRET DIMENSIONS AND TOLERANCES PER ASME Y14.5M-1994.
3. DATUMS B, C AND D TO BE DETERMINED AT DATUM PLANE H.
4. THE TOP PACKAGE BODY SIZE MAY BE SMALLER THAN THE BOTTOM PACKAGE SIZE BY A MAXIMUM OF 0.1 mm.
5. THIS DIMENSIONS DO NOT INCLUDE MOLD PROTRUSIONS. THE MAXIMUM ALLOWABLE PROTRUSION IS 0.25 mm PER SIDE. THIS DIMENSIONS ARE MAXIMUM BODY SIZE DIMENSIONS INCLUDING MOLD MISMATCH.
6. THIS DIMENSION DOES NOT INCLUDE DAM BAR PROTRUSION. PROTRUSIONS SHALL NOT CAUSE THE LEAD WIDTH TO EXCEED 0.35. MINIMUM SPACE BETWEEN PROTRUSION AND AN ADJACENT LEAD SHALL BE 0.07 mm.
7. THIS DIMENSIONS ARE DETERMINED AT THE SEATING PLANE, DATUM A.

Figure 3. MCF5207CAB166 Package Dimensions (Sheet 2 of 2)

4.3 Pinout—144 MAPBGA

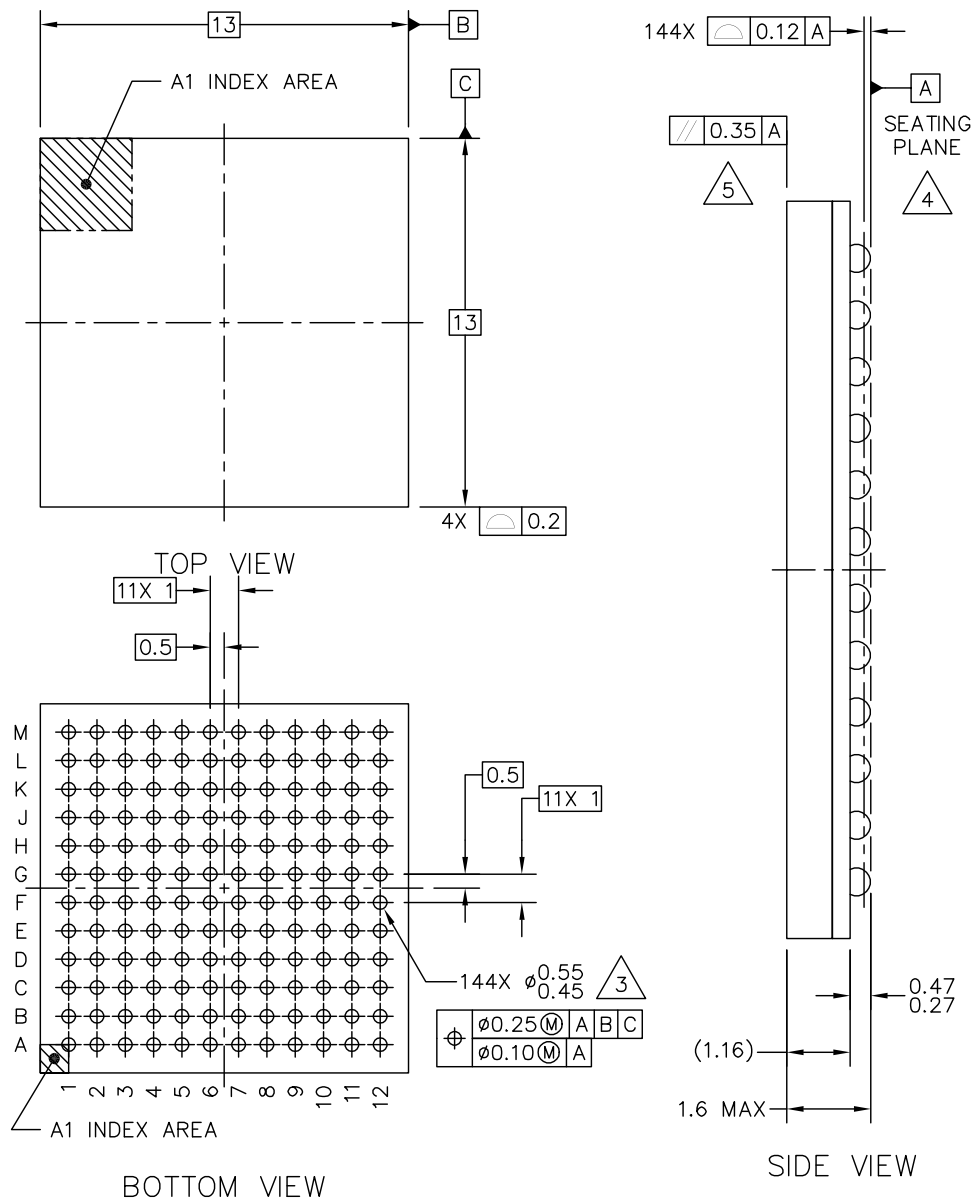
The pinout of the MCF5207CVM166 device is shown below.

	1	2	3	4	5	6	7	8	9	10	11	12	
A	$\overline{\text{SD_CS}}$	$\overline{\text{U1RTS}}$	DT0IN	DT1IN	$\overline{\text{IRQ7}}$	U1TXD	QSPI_DOUT	QSPI_CS2	$\overline{\text{FB_CS2}}$	A22	A20	A18	A
B	D14	D15	$\overline{\text{TS}}$	$\overline{\text{U1CTS}}$	DT3IN	$\overline{\text{IRQ1}}$	QSPI_DIN	$\overline{\text{FB_CS0}}$	A23	A19	A16	A15	B
C	D12	D13	SD_CKE	$\overline{\text{RCON}}$	DT2IN	$\overline{\text{IRQ4}}$	QSPI_CLK	$\overline{\text{FB_CS1}}$	A21	A10	A17	A14	C
D	D10	D11	$\overline{\text{SD_WE}}$	IVDD	$\overline{\text{U0RTS}}$	U1RXD	$\overline{\text{FB_CS3}}$	IVDD	A8	VSS	A13	A11	D
E	D8	D9	$\overline{\text{BE/BWE1}}$	$\overline{\text{U0CTS}}$	EVDD	EVDD	SD_VDD	SD_VDD	A4	A12	A9	A7	E
F	D31	D30	SD_DQS3	$\overline{\text{BE/BWE3}}$	EVDD	VSS	VSS	SD_VDD	A0	A6	A5	A3	F
G	D29	D28	D26	D27	SD_VDD	VSS	VSS	EVDD	EVDD	A2	$\overline{\text{TA}}$	A1	G
H	D25	D24	SD_SDR_DQS	IVDD	SD_VDD	SD_VDD	EVDD	EVDD	TDI/DSI	DRAM SEL	IVDD	PLL_VDD	H
J	SD_CLK	$\overline{\text{SD_RAS}}$	SD_VDD	D18	$\overline{\text{BE/BWE0}}$	D4	D2	$\overline{\text{OE}}$	IVDD	$\overline{\text{RESET}}$	JTAG_EN	XTAL	J
K	$\overline{\text{SD_CLK}}$	D20	D23	D16	D6	$\overline{\text{R/W}}$	D0	PST0	DDATA3	PST1	$\overline{\text{TRST/DSCLK}}$	EXTAL	K
L	FB_CLK	D22	D21	$\overline{\text{BE/BWE2}}$	D7	D5	D1	PST2	DDATA2	U0TXD	PST3	TMS/BKPT	L
M	SD_A10	$\overline{\text{SD_CAS}}$	D19	D17	SD_DQS2	D3	TCLK/PSTCLK	DDATA0	TDO/DSO	U0RXD	DDATA1	$\overline{\text{RSTOUT}}$	M

Figure 4. MCF5207CVM166 Pinout Top View (144 MAPBGA)

4.4 Package Dimensions—144 MAPBGA

Figure 5 shows the MCF5207CAB166 package dimensions.



NOTES:

1. ALL DIMENSIONS IN MILLIMETERS.
2. DIMENSIONING AND TOLERANCING PER ASME Y14.5M-1994.
3. MAXIMUM SOLDER BALL DIAMETER MEASURED PARALLEL TO DATUM A.
4. DATUM A, THE SEATING PLANE, IS DETERMINED BY THE SPHERICAL CROWNS OF THE SOLDER BALLS.
5. PARALLELISM MEASUREMENT SHALL EXCLUDE ANY EFFECT OF MARK ON TOP SURFACE OF PACKAGE.

Figure 5. MCF5207CAB166 Package Dimensions (144 MAPBGA)

4.5 Pinout—160 QFP

Figure 6 shows a pinout of the MCF5208CAB166 device.

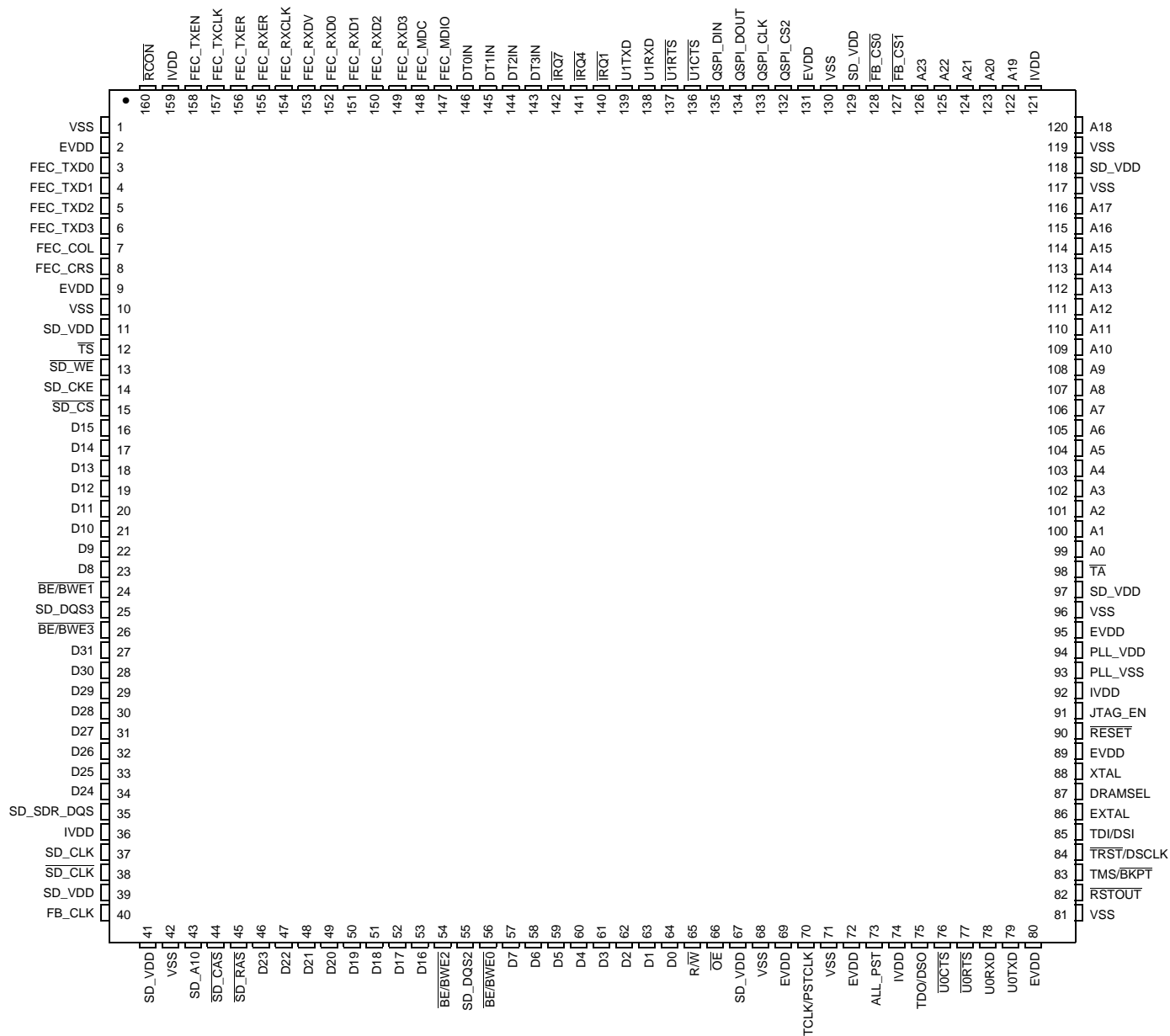


Figure 6. MCF5208CAB166 Pinout Top View (160 QFP)

4.6 Package Dimensions—160 QFP

The package dimensions of the MCF5208CAB166 device are shown in the figures below.

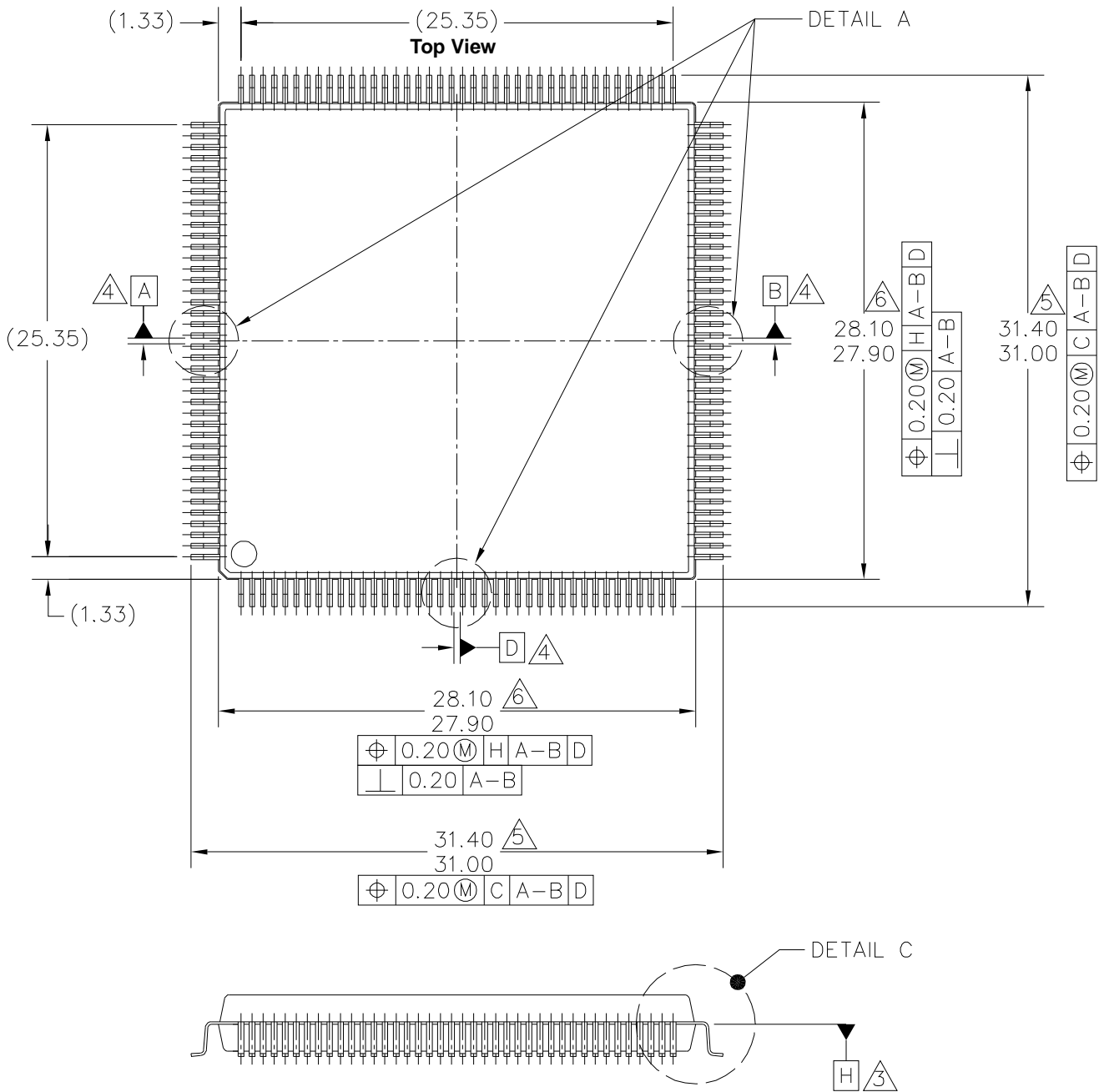
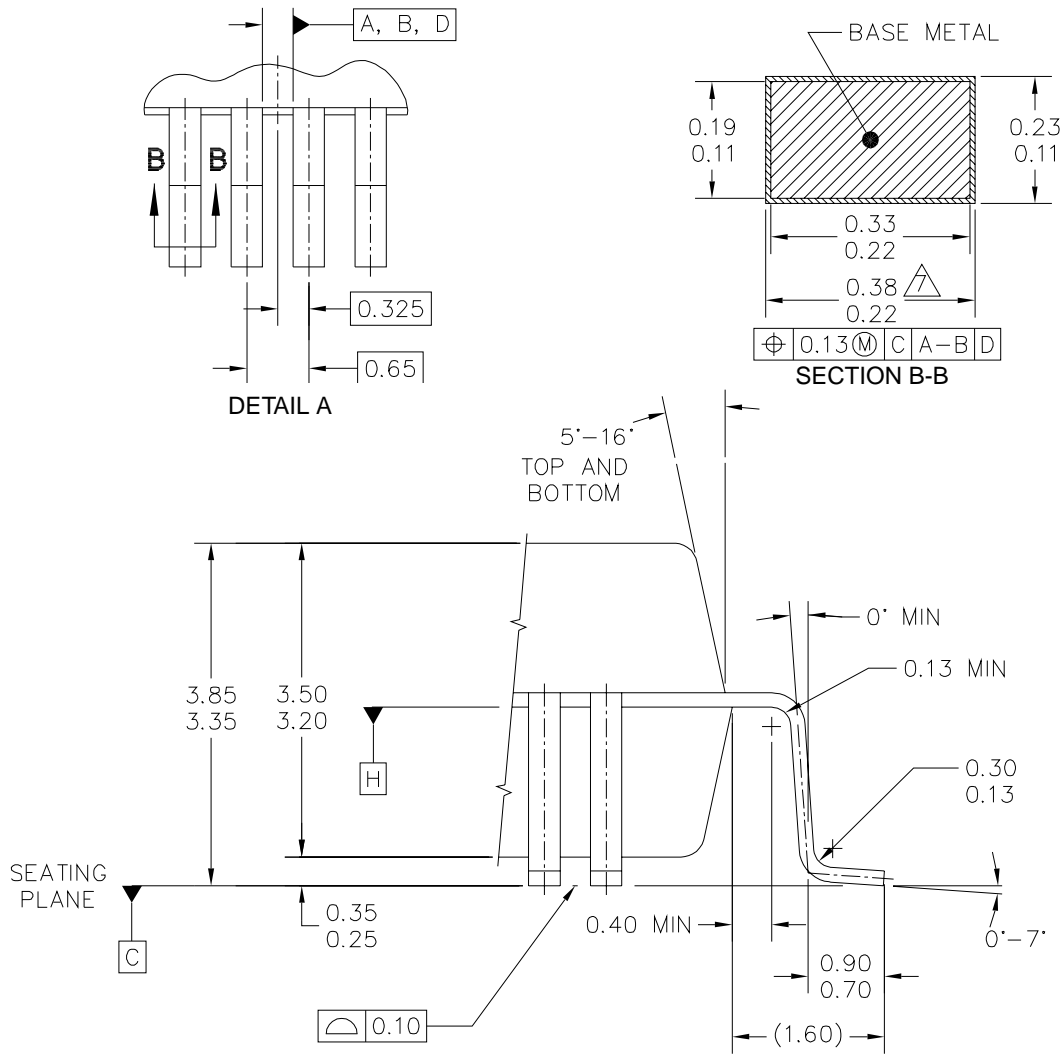


Figure 7. MCF5208CAB166 Package Dimensions (Sheet 1 of 2)



NOTES:

1. DIMENSIONING AND TOLERANCING PER ASME Y14.5M, 1994.
2. CONTROLLING DIMENSION: MILLIMETER.
3. DATUM PLANE IS LOCATED AT BOTTOM OF LEAD AND IS COINCIDENT WITH THE LEAD WHERE THE LEAD EXITS THE PLASTIC BODY AT THE BOTTOM OF THE PARTING LINE.
4. DATUMS TO BE DETERMINED AT DATUM PLANE H.
5. DIMENSIONS TO BE DETERMINED AT SEATING PLANE C.
6. DIMENSIONS DO NOT INCLUDE MOLD PROTRUSION. ALLOWABLE PROTRUSION IS 0.25 PER SIDE. DIMENSIONS DO INCLUDE MOLD MISMATCH AND ARE DETERMINED AT DATUM PLANE H.
7. DIMENSION DOES NOT INCLUDE DAMBAR PROTRUSION. ALLOWABLE DAMBAR PROTRUSION SHALL BE 0.08 TOTAL IN EXCESS OF THE D DIMENSION AT MAXIMUM MATERIAL CONDITION. DAMBAR CANNOT BE LOCATED ON THE LOWER RADIUS OR THE FOOT.

Figure 8. MCF5208CAB166 Package Dimensions (Sheet 2 of 2)

4.7 Pinout—196 MAPBGA

Figure 9 shows a pinout of the MCF5208CVM166 device.

	1	2	3	4	5	6	7	8	9	10	11	12	13	14	
A	VSS	FEC_TXEN	FEC_TXER	FEC_RXDV	FEC_RXD3	DT1IN	DT2IN	U1TXD	QSPL_CLK	FB_CS2	A22	A20	A19	VSS	A
B	FEC_TXD0	FEC_TXD1	FEC_TXCLK	FEC_RXCLK	FEC_RXD2	DT0IN	DT3IN	U1RXD	QSPL_DOUT	FB_CS1	A23	A21	A18	A17	B
C	FEC_TXD3	FEC_TXD2	RCON	FEC_RXER	FEC_RXD1	FEC_MDIO	IRQ7	U1RTS	QSPL_DIN	FB_CS0	FB_CS3	TEST	A16	A15	C
D	I2C_SDA	FEC_CRS	FEC_COL	IVDD	FEC_RXD0	FEC_MDC	IRQ4	IRQ1	U1CTS	QSPL_CS2	IVDD	A14	A13	A12	D
E	SD_CKE	SD_WE	TS	I2C_SCL	EVDD	EVDD	EVDD	SD_VDD	SD_VDD	SD_VDD	A11	A10	A9	A8	E
F	D13	D14	D15	SD_CS	EVDD	EVDD	VSS	VSS	SD_VDD	SD_VDD	A7	A6	A5	A4	F
G	D9	D10	D11	D12	EVDD	VSS	VSS	VSS	VSS	SD_VDD	A3	A2	A1	A0	G
H	D8	BE/BWE3	SD_DQS3	BE/BWE1	SD_VDD	VSS	VSS	VSS	VSS	EVDD	IVDD	PLL_VSS	PLL_VDD	TA	H
J	D28	D29	D30	D31	SD_VDD	SD_VDD	VSS	VSS	EVDD	EVDD	NC	IVDD	JTAG_EN	RESET	J
K	D24	D25	D26	D27	SD_VDD	SD_VDD	SD_VDD	EVDD	EVDD	EVDD	DRAM_SEL	TDI/DSI	EVDD	XTAL	K
L	SD_CLK	SD_VDD	SD_SDR_DQS	IVDD	D18	SD_DQS2	D5	R/W	PST0	PST1	IVDD	TRST/DSCLK	VSS	EXTAL	L
M	SD_CLK	VSS	D23	D21	D17	BE/BWE0	D4	OE	EVDD	PST2	DDATA1	TDO/DSO	PLL_TEST	TMS/BKPT	M
N	FB_CLK	SD_A10	D22	D20	D16	D7	D3	D1	VSS	PST3	DDATA2	U0CTS	U0RXD	RSTOUT	N
P	VSS	SD_CAS	SD_RAS	D19	BE/BWE2	D6	D2	D0	TCLK/PSTCLK	DDATA0	DDATA3	U0RTS	U0TXD	VSS	P

Figure 9. MCF5208CVM166 Pinout Top View (196 MAPBGA)

4.8 Package Dimensions—196 MAPBGA

The package dimensions for the MCF5208CVM166 device is shown below.

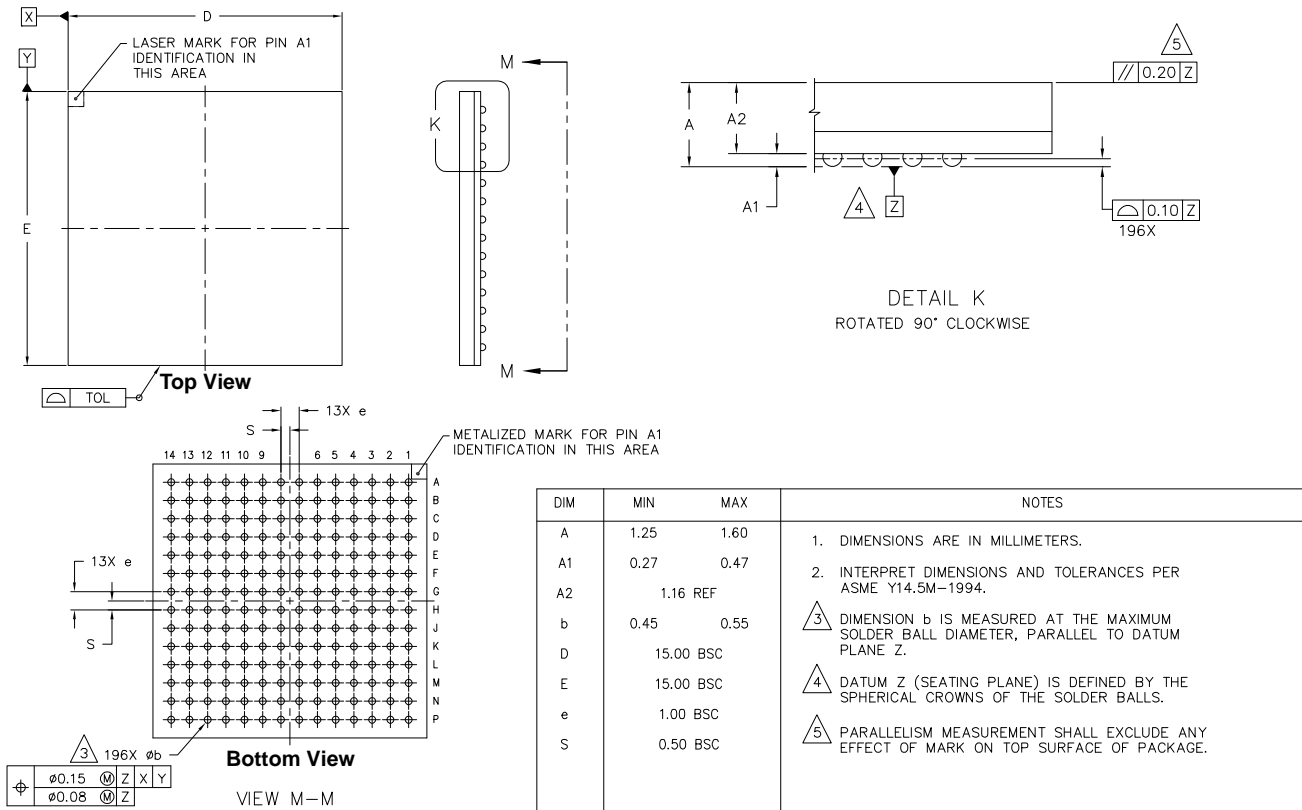


Figure 10. MCF5208CVM166 Package Dimensions (196 MAPBGA)

5 Electrical Characteristics

5.1 Maximum Ratings

Table 4. Absolute Maximum Ratings^{1, 2}

Rating	Symbol	Value	Unit
Core Supply Voltage	V_{DD}	-0.5 to +2.0	V
CMOS Pad Supply Voltage	$E_{V_{DD}}$	-0.3 to +4.0	V
DDR/Memory Pad Supply Voltage	SDV_{DD}	-0.3 to +4.0	V
PLL Supply Voltage	$PLLV_{DD}$	-0.3 to +2.0	V
Digital Input Voltage ³	V_{IN}	-0.3 to +3.6	V
Instantaneous Maximum Current Single pin limit (applies to all pins) ^{3, 4, 5}	I_D	25	mA

Table 4. Absolute Maximum Ratings^{1, 2} (continued)

Operating Temperature Range (Packaged)	T_A ($T_L - T_H$)	- 40 to 85	°C
Storage Temperature Range	T_{stg}	- 55 to 150	°C

NOTES:

- ¹ Functional operating conditions are given in [Section 5.4, “DC Electrical Specifications”](#). Absolute maximum ratings are stress ratings only, and functional operation at the maxima is not guaranteed. Continued operation at these levels may affect device reliability or cause permanent damage to the device.
- ² This device contains circuitry protecting against damage due to high static voltage or electrical fields; however, it is advised that normal precautions be taken to avoid application of any voltages higher than maximum-rated voltages to this high-impedance circuit. Reliability of operation is enhanced if unused inputs are tied to an appropriate logic voltage level (V_{SS} or EV_{DD}).
- ³ Input must be current limited to the value specified. To determine the value of the required current-limiting resistor, calculate resistance values for positive and negative clamp voltages, then use the larger of the two values.
- ⁴ All functional non-supply pins are internally clamped to V_{SS} and EV_{DD} .
- ⁵ Power supply must maintain regulation within operating EV_{DD} range during instantaneous and operating maximum current conditions. If positive injection current ($V_{in} > EV_{DD}$) is greater than I_{DD} , the injection current may flow out of EV_{DD} and could result in external power supply going out of regulation. Ensure external EV_{DD} load shunts current greater than maximum injection current. This is the greatest risk when the MCU is not consuming power (ex; no clock). Power supply must maintain regulation within operating EV_{DD} range during instantaneous and operating maximum current conditions.

5.2 Thermal Characteristics

Table 5 lists thermal resistance values

Table 5. Thermal Characteristics

Characteristic		Symbol	196MBGA	144MBGA	160QFP	144LQFP	Unit
Junction to ambient, natural convection	Four layer board (2s2p)	θ_{JMA}	47 ^{1,2}	47 ^{1,2}	49 ^{1,2}	65 ^{1,2}	°C/W
Junction to ambient (@200 ft/min)	Four layer board (2s2p)	θ_{JMA}	43 ^{1,2}	43 ^{1,2}	44 ^{1,2}	58 ^{1,2}	°C/W
Junction to board		θ_{JB}	36 ³	36 ³	40 ³	50 ³	°C/W
Junction to case		θ_{JC}	22 ⁴	22 ⁴	39 ⁴	19 ⁴	°C/W
Junction to top of package		Ψ_{jt}	6 ^{1,5}	6 ^{1,5}	12 ^{1,6}	5 ^{1,7}	°C/W
Maximum operating junction temperature		T_j	105	105	105	105	°C

NOTES:

- ¹ θ_{JMA} and Ψ_{jt} parameters are simulated in conformance with EIA/JESD Standard 51-2 for natural convection. Freescale recommends the use of θ_{JMA} and power dissipation specifications in the system design to prevent device junction temperatures from exceeding the rated specification. System designers should be aware that device junction temperatures can be significantly influenced by board layout and surrounding devices. Conformance to the device junction temperature specification can be verified by physical measurement in the customer’s system using the Ψ_{jt} parameter, the device power dissipation, and the method described in EIA/JESD Standard 51-2.
- ² Per JEDEC JESD51-6 with the board horizontal.

- ³ Thermal resistance between the die and the printed circuit board in conformance with JEDEC JESD51-8. Board temperature is measured on the top surface of the board near the package.
- ⁴ Thermal resistance between the die and the case top surface as measured by the cold plate method (MIL SPEC-883 Method 1012.1).
- ⁵ Thermal characterization parameter indicating the temperature difference between package top and the junction temperature per JEDEC JESD51-2. When Greek letters are not available, the thermal characterization parameter is written in conformance with Psi-JT.
- ⁶ Thermal characterization parameter indicating the temperature difference between package top and the junction temperature per JEDEC JESD51-2. When Greek letters are not available, the thermal characterization parameter is written in conformance with Psi-JT.
- ⁷ Thermal characterization parameter indicating the temperature difference between package top and the junction temperature per JEDEC JESD51-2. When Greek letters are not available, the thermal characterization parameter is written in conformance with Psi-JT.

The average chip-junction temperature (T_J) in °C can be obtained from:

$$T_J = T_A + (P_D \times \Theta_{JMA}) \quad \text{Eqn. 1}$$

Where:

- T_A = Ambient Temperature, °C
- Θ_{JMA} = Package Thermal Resistance, Junction-to-Ambient, °C/W
- P_D = $P_{INT} + P_{I/O}$
- P_{INT} = $I_{DD} \times IV_{DD}$, Watts - Chip Internal Power
- $P_{I/O}$ = Power Dissipation on Input and Output Pins – User Determined

For most applications $P_{I/O} < P_{INT}$ and can be ignored. An approximate relationship between P_D and T_J (if $P_{I/O}$ is neglected) is:

$$P_D = \frac{K}{(T_J + 273^\circ C)} \quad \text{Eqn. 2}$$

Solving equations 1 and 2 for K gives:

$$K = P_D \times (T_A \times 273^\circ C) + \Theta_{JMA} \times P_D^2 \quad \text{Eqn. 3}$$

where K is a constant pertaining to the particular part. K can be determined from [Equation 3](#) by measuring P_D (at equilibrium) for a known T_A . Using this value of K, the values of P_D and T_J can be obtained by solving [Equation 1](#) and [Equation 2](#) iteratively for any value of T_A .

5.3 ESD Protection

Table 6. ESD Protection Characteristics^{1, 2}

Characteristics	Symbol	Value	Unit
ESD Target for Human Body Model	HBM	2000	V

NOTES:

- ¹ All ESD testing is in conformity with CDF-AEC-Q100 Stress Test Qualification for Automotive Grade Integrated Circuits.

Electrical Characteristics

- ² A device is defined as a failure if, after exposure to ESD pulses, the device no longer meets the device specification requirements. Complete DC parametric and functional testing is performed per applicable device specification at room temperature followed by hot temperature, unless specified otherwise in the device specification.

5.4 DC Electrical Specifications

Table 7. DC Electrical Specifications

Characteristic	Symbol	Min	Max	Unit
Core Supply Voltage	IV_{DD}	1.4	1.6	V
PLL Supply Voltage	$PLL_{V_{DD}}$	1.4	1.6	V
CMOS Pad Supply Voltage	EV_{DD}	3.0	3.6	V
SDRAM and FlexBus Supply Voltage Mobile DDR/Bus Pad Supply Voltage (nominal 1.8V) DDR/Bus Pad Supply Voltage (nominal 2.5V) SDR/Bus Pad Supply Voltage (nominal 3.3V)	SDV_{DD}	1.70 2.25 3.0	1.95 2.75 3.6	V
CMOS Input High Voltage	EV_{IH}	2	$EV_{DD} + 0.3$	V
CMOS Input Low Voltage	EV_{IL}	$V_{SS} - 0.3$	0.8	V
CMOS Output High Voltage $I_{OH} = -5.0$ mA	EV_{OH}	$EV_{DD} - 0.4$	—	V
CMOS Output Low Voltage $I_{OL} = 5.0$ mA	EV_{OL}	—	0.4	V
SDRAM and FlexBus Input High Voltage Mobile DDR/Bus Input High Voltage (nominal 1.8V) DDR/Bus Pad Supply Voltage (nominal 2.5V) SDR/Bus Pad Supply Voltage (nominal 3.3V)	SDV_{IH}	1.35 1.7 2	$SDV_{DD} + 0.3$ $SDV_{DD} + 0.3$ $SDV_{DD} + 0.3$	V
SDRAM and FlexBus Input Low Voltage Mobile DDR/Bus Input High Voltage (nominal 1.8V) DDR/Bus Pad Supply Voltage (nominal 2.5V) SDR/Bus Pad Supply Voltage (nominal 3.3V)	SDV_{IL}	$V_{SS} - 0.3$ $V_{SS} - 0.3$ $V_{SS} - 0.3$	0.45 0.8 0.8	V
SDRAM and FlexBus Output High Voltage Mobile DDR/Bus Input High Voltage (nominal 1.8V) DDR/Bus Pad Supply Voltage (nominal 2.5V) SDR/Bus Pad Supply Voltage (nominal 3.3V) $I_{OH} = -5.0$ mA for all modes	SDV_{OH}	$SDV_{DD} - 0.35$ 2.1 2.4	— — —	V
SDRAM and FlexBus Output Low Voltage Mobile DDR/Bus Input High Voltage (nominal 1.8V) DDR/Bus Pad Supply Voltage (nominal 2.5V) SDR/Bus Pad Supply Voltage (nominal 3.3V) $I_{OL} = 5.0$ mA for all modes	SDV_{OL}	— — —	0.3 0.3 0.5	V
Input Leakage Current $V_{in} = IV_{DD}$ or V_{SS} , Input-only pins	I_{in}	-1.0	1.0	μ A

Table 7. DC Electrical Specifications (continued)

Characteristic	Symbol	Min	Max	Unit
Weak Internal Pull Up Device Current, tested at V_{IL} Max. ¹	I_{APU}	-10	- 130	μA
Input Capacitance ²	C_{in}	—	7	pF
All input-only pins		—	7	
All input/output (three-state) pins		—	7	

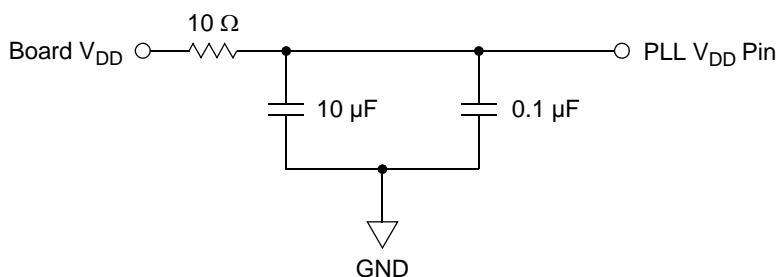
NOTES:

¹ Refer to the signals section for pins having weak internal pull-up devices.

² This parameter is characterized before qualification rather than 100% tested.

5.4.1 PLL Power Filtering

To further enhance noise isolation, an external filter is strongly recommended for PLL analog V_{DD} pins. The filter shown in Figure 11 should be connected between the board V_{DD} and the $PLL V_{DD}$ pins. The resistor and capacitors should be placed as close to the dedicated $PLL V_{DD}$ pin as possible.


 Figure 11. System PLL V_{DD} Power Filter

5.4.2 Supply Voltage Sequencing and Separation Cautions

The relationship between SDV_{DD} and EV_{DD} is non-critical during power-up and power-down sequences. SDV_{DD} (2.5V or 3.3V) and EV_{DD} are specified relative to IV_{DD} .

5.4.2.1 Power Up Sequence

If EV_{DD}/SDV_{DD} are powered up with IV_{DD} at 0 V, the sense circuits in the I/O pads cause all pad output drivers connected to the EV_{DD}/SDV_{DD} to be in a high impedance state. There is no limit on how long after EV_{DD}/SDV_{DD} powers up before IV_{DD} must power up. IV_{DD} should not lead the EV_{DD} , SDV_{DD} , or $PLL V_{DD}$ by more than 0.4 V during power ramp-up or there will be high current in the internal ESD protection diodes. The rise times on the power supplies should be slower than 500 μs to avoid turning on the internal ESD protection clamp diodes.

5.4.2.2 Power Down Sequence

If $IV_{DD}/PLL V_{DD}$ are powered down first, sense circuits in the I/O pads cause all output drivers to be in a high impedance state. There is no limit on how long after IV_{DD} and $PLL V_{DD}$ power down before EV_{DD} or SDV_{DD} must power down. IV_{DD} should not lag EV_{DD} , SDV_{DD} , or $PLL V_{DD}$ going low by more than

Electrical Characteristics

0.4 V during power down or there is an undesired high current in the ESD protection diodes. There are no requirements for the fall times of the power supplies.

The recommended power down sequence is:

1. Drop $IV_{DD}/PLL V_{DD}$ to 0 V.
2. Drop EV_{DD}/SDV_{DD} supplies.

5.5 Current Consumption

All of the below current consumption data is lab data measured on a single device using an evaluation board. [Table 8](#) shows the typical current consumption in low-power modes at various $f_{sys/2}$ frequencies. Current measurements are taken after executing a STOP instruction.

Table 8. Current Consumption in Low-Power Mode^{1,2}

Mode	Voltage (V)	Typical ³ (mA)					Peak ⁴ (mA)
		44 MHz	56 MHz	64 MHz	72 MHz	83.33 MHz	83.33 MHz
Stop Mode 3 (Stop 11) ⁵	3.3	1.33					
	2.5	15.19					
	1.5	0.519					
Stop Mode 2 (Stop 10) ⁵	3.3	1.93					
	2.5	15.19					
	1.5	1.25					
Stop Mode 1 (Stop 01) ⁵	3.3	1.83					
	2.5	15.23					
	1.5	8.24	10.22	9.55	10.61	12.1	12.1
Stop Mode 0 (Stop 00) ⁵	3.3	2.23	2.33	2.41	2.5	2.61	2.61
	2.5	16.2	16.47	16.62	16.91	17.24	17.24
	1.5	8.32	10.32	9.66	10.73	12.25	12.25
Wait/Doze	3.3	2.23	2.33	2.41	2.5	2.6	4.07
	2.5	16.2	16.48	16.62	16.91	17.24	18.77
	1.5	11.53	14.36	14.29	15.92	18.21	35.45
Run	3.3	6.79	9.02	14.56	19.54	29.12	30.43
	2.5	16.17	16.48	16.64	16.89	17.23	18.76
	1.5	16.29	20.36	21.13	23.57	27.0	44.1

NOTES:

- ¹ All values are measured with a 3.30V EV_{DD} , 2.50V SDV_{DD} , and 1.5V IV_{DD} power supplies. Tests performed at room temperature with pins configured for high drive strength.
- ² Refer to the Power Management chapter in the *MCF5208 Reference Manual* for more information on low-power modes.
- ³ All peripheral clocks except UART0, FlexBus, INTC, reset controller, PLL, and Edge Port off before entering low-power mode. All code executed from flash.
- ⁴ Peak current measured while running a while(1) loop with all modules active.

⁵ See the description of the low-power control register (LCPR) in the *MCF5208 Reference Manual* for more information on stop modes 0–3.

The figure below illustrates the power consumption in a graphical format.

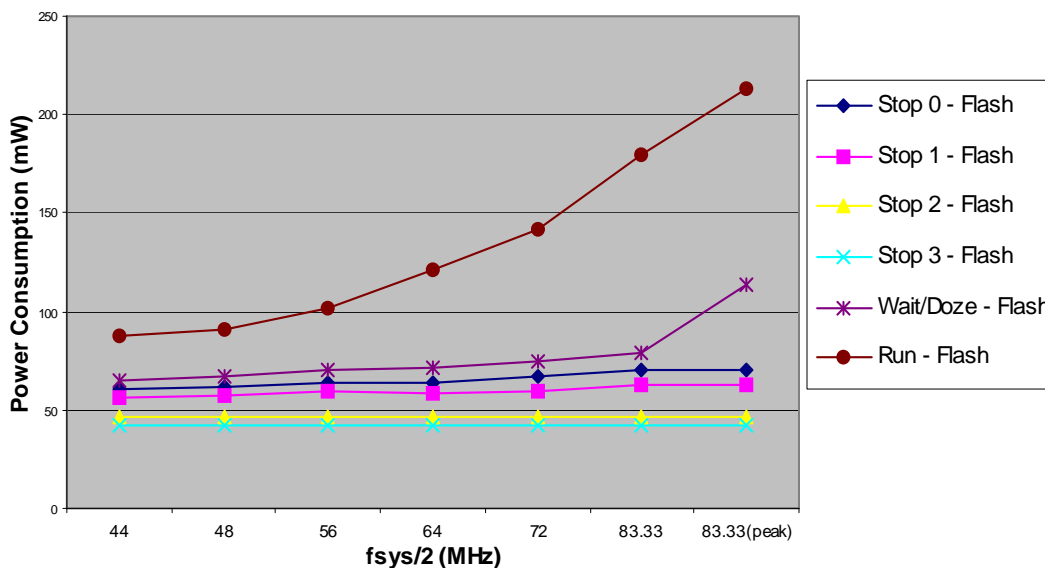


Figure 12. Current Consumption in Low-Power Modes

Table 9. Typical Active Current Consumption Specifications¹

f _{sys/2} Frequency	Voltage (V)	Typical ² Active (mA)		Peak ³ Active (mA)
		SRAM	Flash	
1 MHz	3.3	2.04	2.12	2.28
	2.5	15.24	15.32	15.24
	1.5	1.30	1.41	1.49
2 MHz	3.3	2.23	2.40	3.57
	2.5	15.26	15.42	15.26
	1.5	1.71	1.92	2.09
4 MHz	3.3	2.60	2.95	3.58
	2.5	15.30	15.61	15.30
	1.5	2.49	2.95	3.29
44 MHz	3.3	7.61	17.67	25.34
	2.5	16.13	19.49	16.95
	1.5	24.04	28.72	39.02
48 MHz	3.3	8.16	26.21	34.45
	2.5	16.28	20.06	17.17
	1.5	26.05	31.13	42.30

Table 9. Typical Active Current Consumption Specifications¹ (continued)

f _{sys/2} Frequency	Voltage (V)	Typical ² Active (mA)		Peak ³ Active (mA)
		SRAM	Flash	
56 MHz	3.3	10.09	30.71	38.97
	2.5	16.43	20.71	17.65
	1.5	30.07	35.90	47.90
64 MHz	3.3	15.72	31.37	42.10
	2.5	16.56	21.08	17.95
	1.5	32.19	38.72	53.50
72 MHz	3.3	20.97	31.40	48.80
	2.5	16.87	21.70	18.20
	1.5	35.90	43.20	59.50
83.33 MHz	3.3	31.37	25.83	48.60
	2.5	17.21	22.80	18.83
	1.5	41.10	49.40	67.50

NOTES:

- ¹ All values are measured with a 3.30V EV_{DD}, 2.50V SDV_{DD}, and 1.5V IV_{DD} power supplies. Tests performed at room temperature with pins configured for high drive strength.
- ² CPU polling a status register. All peripheral clocks except UART0, FlexBus, INTC, reset controller, PLL, and edge port disabled.
- ³ Peak current measured while running a while(1) loop with all modules active.

5.6 Oscillator and PLL Electrical Characteristics

Table 10. PLL Electrical Characteristics

Num	Characteristic	Symbol	Min. Value	Max. Value	Unit
1	PLL Reference Frequency Range Crystal reference External reference	f _{ref_crystal}	12	25 ¹	MHz
		f _{ref_ext}	12	40 ¹	MHz
2	Core frequency CLKOUT Frequency ²	f _{sys}	488 x 10 ⁻⁶	166.66	MHz
		f _{sys/2}	244 x 10 ⁻⁶	83.33	MHz
3	Crystal Start-up Time ^{3, 4}	t _{cst}	—	10	ms
4	EXTAL Input High Voltage Crystal Mode ⁵ All other modes (External, Limp)	V _{IHEXT}	V _{XTAL} + 0.4	—	V
		V _{IHEXT}	E _{VDD} /2 + 0.4	—	V
5	EXTAL Input Low Voltage Crystal Mode ⁵ All other modes (External, Limp)	V _{ILEXT}	—	V _{XTAL} - 0.4	V
		V _{ILEXT}	—	E _{VDD} /2 - 0.4	V
7	PLL Lock Time ^{3, 6}	t _{pll}	—	50000	CLKIN
8	Duty Cycle of reference ³	t _{dc}	40	60	%

Table 10. PLL Electrical Characteristics (continued)

Num	Characteristic	Symbol	Min. Value	Max. Value	Unit
9	XTAL Current	I_{XTAL}	1	3	mA
10	Total on-chip stray capacitance on XTAL	C_{S_XTAL}		1.5	pF
11	Total on-chip stray capacitance on EXTAL	C_{S_EXTAL}		1.5	pF
12	Crystal capacitive load	C_L		See crystal spec	
13	Discrete load capacitance for XTAL	C_{L_XTAL}		$2 \cdot C_L - C_{S_XTAL} - C_{PCB_XTAL}$ ⁷	pF
14	Discrete load capacitance for EXTAL	C_{L_EXTAL}		$2 \cdot C_L - C_{S_EXTAL} - C_{PCB_EXTAL}$ ⁷	pF
17	CLKOUT Period Jitter, ^{3, 4, 7, 8, 9} Measured at f_{SYS} Max Peak-to-peak Jitter (Clock edge to clock edge) Long Term Jitter	C_{jitter}	— —	10 TBD	% $f_{sys/2}$ % $f_{sys/2}$
18	Frequency Modulation Range Limit ^{3, 10, 11} (f_{sys} Max must not be exceeded)	C_{mod}	0.8	2.2	% $f_{sys/2}$
19	VCO Frequency. $f_{VCO} = (f_{ref} \cdot PFD)/4$	f_{VCO}	350	540	MHz

NOTES:

- ¹ The maximum allowable input clock frequency when booting with the PLL enabled is 24 MHz. For higher input clock frequencies, the processor must boot in LIMP mode to avoid violating the maximum allowable CPU frequency.
- ² All internal registers retain data at 0 Hz.
- ³ This parameter is guaranteed by characterization before qualification rather than 100% tested.
- ⁴ Proper PC board layout procedures must be followed to achieve specifications.
- ⁵ This parameter is guaranteed by design rather than 100% tested.
- ⁶ This specification is the PLL lock time only and does not include oscillator start-up time.
- ⁷ C_{PCB_EXTAL} and C_{PCB_XTAL} are the measured PCB stray capacitances on EXTAL and XTAL, respectively.
- ⁸ Jitter is the average deviation from the programmed frequency measured over the specified interval at maximum f_{SYS} . Measurements are made with the device powered by filtered supplies and clocked by a stable external clock signal. Noise injected into the PLL circuitry via PLL V_{DD} , EV_{DD} , and V_{SS} and variation in crystal oscillator frequency increase the C_{jitter} percentage for a given interval.
- ⁹ Values are with frequency modulation disabled. If frequency modulation is enabled, jitter is the sum of $C_{jitter} + C_{mod}$.
- ¹⁰ Modulation percentage applies over an interval of 10 μ s, or equivalently the modulation rate is 100KHz.
- ¹¹ Modulation range determined by hardware design.

5.7 External Interface Timing Characteristics

Table 11 lists processor bus input timings.

NOTE

All processor bus timings are synchronous; that is, input setup/hold and output delay with respect to the rising edge of a reference clock. The reference clock is the FB_CLK output.

All other timing relationships can be derived from these values. Timings listed in Table 11 are shown in Figure 14 and Figure 15.

* The timings are also valid for inputs sampled on the negative clock edge.

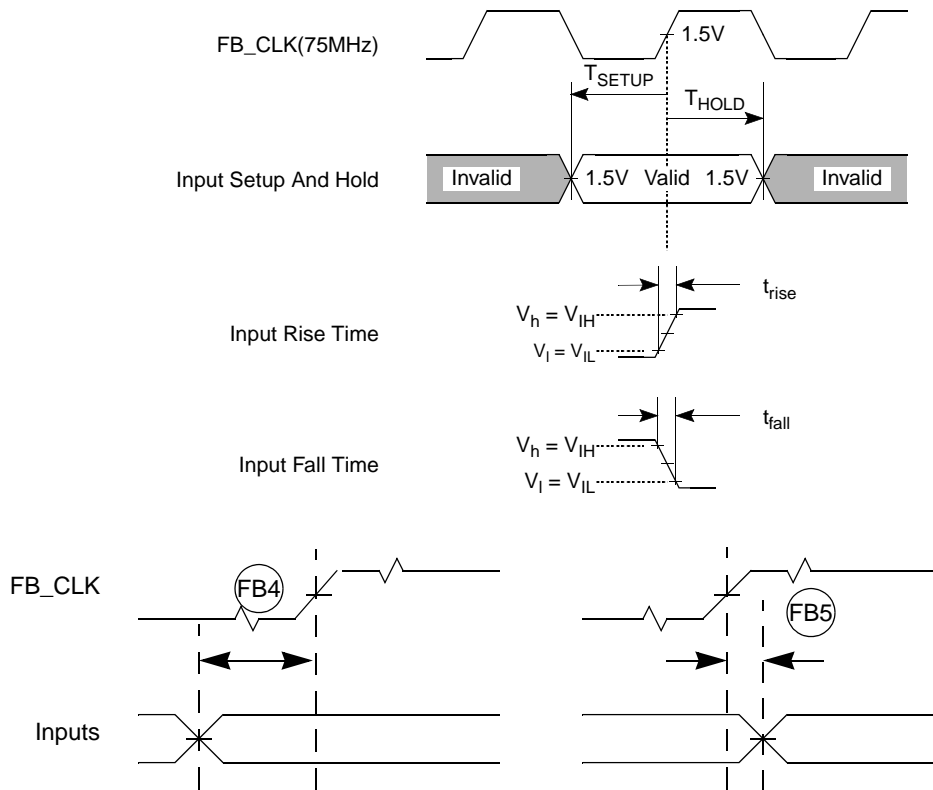


Figure 13. General Input Timing Requirements

5.7.1 FlexBus

FlexBus is a multi-function external bus interface provided to interface to slave-only devices up to a maximum bus frequency of 83.33 MHz. It can be directly connected to asynchronous or synchronous devices such as external boot ROMs, flash memories, gate-array logic, or other simple target (slave) devices with little or no additional circuitry. For asynchronous devices, a simple chip-select based interface can be used. The FlexBus interface has six general purpose chip-selects ($\overline{\text{FB_CS}}[5:0]$) that can be configured to be distributed between the FlexBus or SDRAM memory interfaces. Chip-select $\overline{\text{FB_CS}}[0]$ can be dedicated to boot ROM access and can be programmed to be byte (8 bits), word (16 bits), or longword (32 bits) wide. Control signal timing is compatible with common ROM/flash memories.

5.7.1.1 FlexBus AC Timing Characteristics

The following timing numbers indicate when data will be latched or driven onto the external bus, relative to the system clock.

Table 11. FlexBus AC Timing Specifications

Num	Characteristic	Symbol	Min	Max	Unit	Notes
	Frequency of Operation			83.33	Mhz	$f_{sys/2}$
FB1	Clock Period (FB_CLK)	t_{FBCK}	12		ns	t_{cyc}
FB2	Data, and Control Output Valid (A[23:0], D[31:0], FB_CS[5:0], R/W, TS, BE/BWE[3:0] and OE)	$t_{FBCHDCV}$	—	7.0	ns	¹
FB3	Data, and Control Output Hold ((A[23:0], D[31:0], FB_CS[5:0], R/W, TS, BE/BWE[3:0], and OE)	$t_{FBCHDCI}$	1	—	ns	^{1, 2}
FB4	Data Input Setup	$t_{DVF BCH}$	3.5	—	ns	
FB5	Data Input Hold	$t_{DIF BCH}$	0	—	ns	
FB6	Transfer Acknowledge (\overline{TA}) Input Setup	$t_{CVF BCH}$	4	—	ns	
FB7	Transfer Acknowledge (\overline{TA}) Input Hold	$t_{CIF BCH}$	0	—	ns	

NOTES:

- ¹ Timing for chip selects only applies to the $\overline{FB_CS}[5:0]$ signals. Please see [Section 5.8, "SDRAM Bus"](#) for $\overline{SD_CS}[1:0]$ timing.
- ² The FlexBus supports programming an extension of the address hold. Please consult the device reference manual for more information.

NOTE

The processor drives the data lines during the first clock cycle of the transfer with the full 32-bit address. This may be ignored by standard connected devices using non-multiplexed address and data buses. However, some applications may find this feature beneficial.

The address and data busses are muxed between the FlexBus and SDRAM controller. At the end of the read and write bus cycles the address signals are indeterminate.

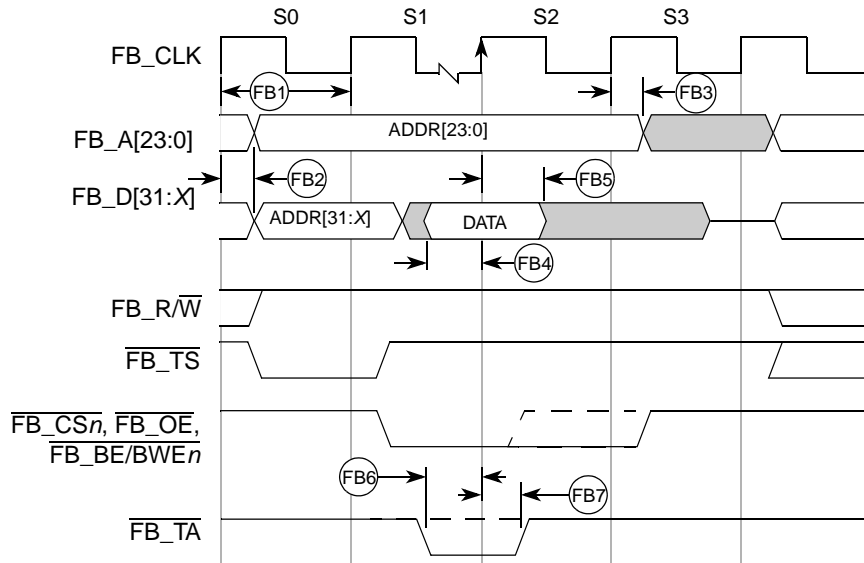


Figure 14. FlexBus Read Timing

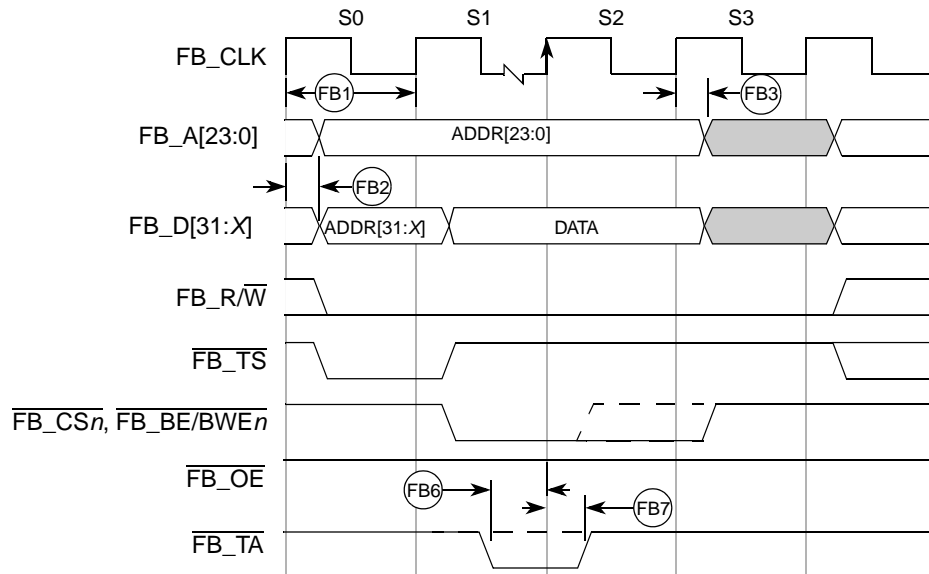


Figure 15. Flexbus Write Timing

5.8 SDRAM Bus

The SDRAM controller supports accesses to main SDRAM memory from any internal master. It supports standard SDRAM or double data rate (DDR) SDRAM, but it does not support both at the same time. The SDRAM controller uses SSTL2 and SSTL3 I/O drivers. Both SSTL drive modes are programmable for Class I or Class II drive strength.

5.8.1 SDR SDRAM AC Timing Characteristics

The following timing numbers indicate when data will be latched or driven onto the external bus, relative to the memory bus clock, when operating in SDR mode on write cycles and relative to SD_DQS on read cycles. The SDRAM controller is a DDR controller with an SDR mode. Because it is designed to support DDR, a DQS pulse must remain supplied to the device for each data beat of an SDR read. The ColdFire processor accomplishes this by asserting a signal called SD_SDR_DQS during read cycles. Take care during board design to adhere to the following guidelines and specs with regard to the SD_SDR_DQS signal and its usage.

Table 12. SDR Timing Specifications

Symbol	Characteristic	Symbol	Min	Max	Unit	Notes
	Frequency of Operation		60	83.33	MHz	1
SD1	Clock Period (t_{CK})	t_{SDCK}	12	16.67	ns	2
SD3	Pulse Width High (t_{CKH})	t_{SDCKH}	0.45	0.55	SD_CLK	3
SD4	Pulse Width Low (t_{CKL})	t_{SDCKL}	0.45	0.55	SD_CLK	3
SD5	Address, $\overline{SD_CKE}$, $\overline{SD_CAS}$, $\overline{SD_RAS}$, $\overline{SD_WE}$, $\overline{SD_BA}$, $\overline{SD_CS}[1:0]$ - Output Valid (t_{CMV})	$t_{SDCHACV}$	—	$0.5 \times SD_CLK + 1.0$	ns	
SD6	Address, $\overline{SD_CKE}$, $\overline{SD_CAS}$, $\overline{SD_RAS}$, $\overline{SD_WE}$, $\overline{SD_BA}$, $\overline{SD_CS}[1:0]$ - Output Hold (t_{CMH})	$t_{SDCHACI}$	2.0	—	ns	
SD7	SD_SDR_DQS Output Valid (t_{DQSOV})	t_{DQSOV}	—	Self timed	ns	4
SD8	SD_DQS[3:2] input setup relative to SD_CLK ($t_{DQSI S}$)	$t_{DQVSDCH}$	$0.25 \times SD_CLK$	$0.40 \times SD_CLK$	ns	5
SD9	SD_DQS[3:2] input hold relative to SD_CLK (t_{DQSIH})	$t_{DQISDCH}$	Does not apply. 0.5 SD_CLK fixed width.			6
SD10	Data (D[31:0]) Input Setup relative to SD_CLK (reference only) (t_{DIS})	t_{DVSDCH}	$0.25 \times SD_CLK$	—	ns	7
SD11	Data Input Hold relative to SD_CLK (reference only) (t_{DIH})	t_{DISDCH}	1.0	—	ns	
SD12	Data (D[31:0]) and Data Mask (SD_DQM[3:0]) Output Valid (t_{DV})	$t_{SDCHDMV}$	—	$0.75 \times SD_CLK + 0.5$	ns	
SD13	Data (D[31:0]) and Data Mask (SD_DQM[3:0]) Output Hold (t_{DH})	$t_{SDCHDMI}$	1.5	—	ns	

NOTES:

- 1 The device supports the same frequency of operation for FlexBus and SDRAM as that of the internal bus clock. Please see the PLL chapter of the *MCF5208 Reference Manual* for more information on setting the SDRAM clock rate.
- 2 SD_CLK is one SDRAM clock in (ns).
- 3 Pulse width high plus pulse width low cannot exceed min and max clock period.
- 4 SD_DQS is designed to pulse 0.25 clock before the rising edge of the memory clock. This is a guideline only. Subtle variation from this guideline is expected. SD_DQS only pulses during a read cycle and one pulse occurs for each data beat.
- 5 SDR_DQS is designed to pulse 0.25 clock before the rising edge of the memory clock. This spec is a guideline only. Subtle variation from this guideline is expected. SDR_DQS only pulses during a read cycle and one pulse occurs for each data beat.
- 6 The SDR_DQS pulse is designed to be 0.5 clock in width. The timing of the rising edge is most important. The falling edge does not affect the memory controller.
- 7 Because a read cycle in SDR mode continues using the DQS circuit within the device, it is most critical that the data valid window be centered 1/4 clk after the rising edge of DQS. Ensuring that this happens results in successful SDR reads. The input setup spec is provided as guidance.

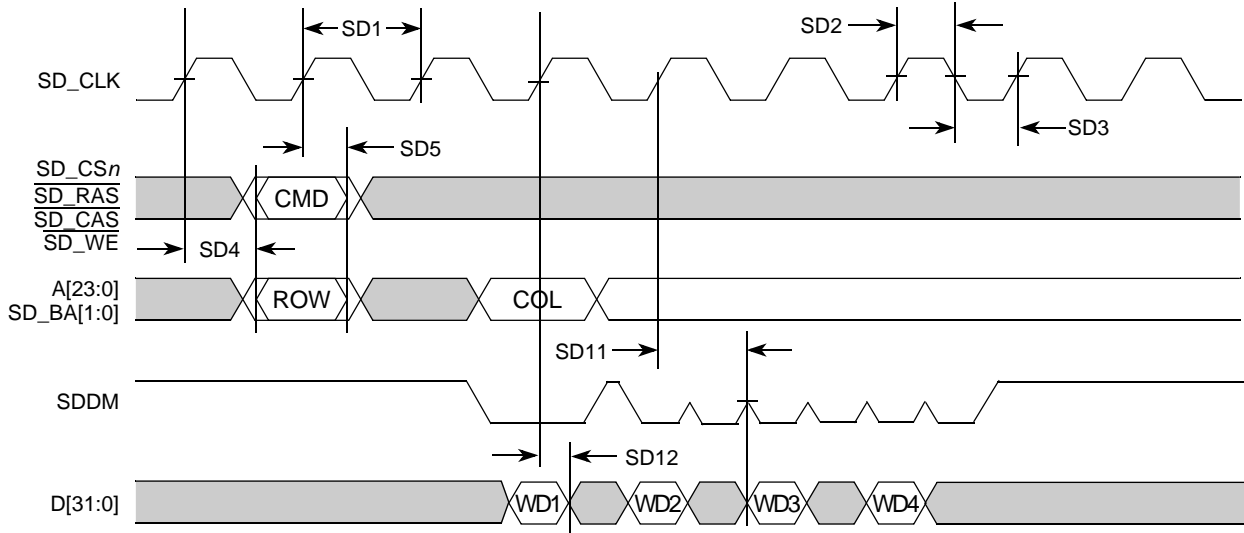


Figure 16. SDR Write Timing

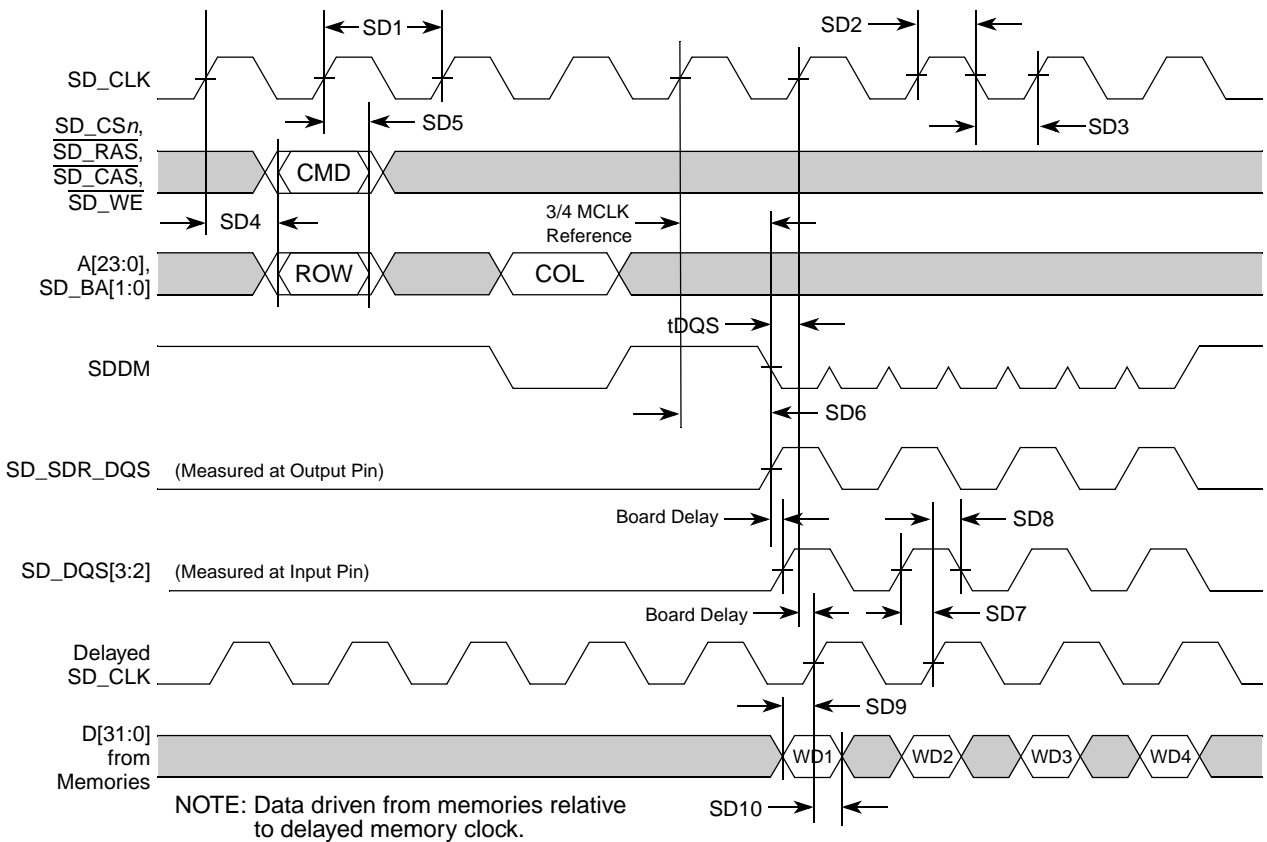


Figure 17. SDR Read Timing

5.8.2 DDR SDRAM AC Timing Characteristics

When using the SDRAM controller in DDR mode, the following timing numbers must be followed to properly latch or drive data onto the memory bus. All timing numbers are relative to the four DQS byte lanes. The following timing numbers are subject to change at anytime, and are only provided to aid in early board design. Please contact your local Freescale representative if questions develop.

Table 13. DDR Timing Specifications

Num	Characteristic	Symbol	Min	Max	Unit	Notes
—	Frequency of Operation	—	60	83.33	Mhz	1
DD1	Clock Period (SD_CLK)	t_{DDCK}	12	16.67	ns	2
DD2	Pulse Width High	t_{DDCKH}	0.45	0.55	SD_CLK	3
DD3	Pulse Width Low	t_{DDCKL}	0.45	0.55	SD_CLK	3
DD4	Address, SD_CKE, SD_CAS, SD_RAS, SD_WE, SD_CS[1:0] - Output Valid	$t_{SDCHACV}$	—	$0.5 \times SD_CLK + 1.0$	ns	4
DD5	Address, SD_CKE, SD_CAS, SD_RAS, SD_WE, SD_CS[1:0] - Output Hold	$t_{SDCHACI}$	2.0	—	ns	—
DD6	Write Command to first DQS Latching Transition	t_{CMDVDQ}	—	1.25	SD_CLK	—
DD7	Data and Data Mask Output Setup (DQ-->DQS) Relative to DQS (DDR Write Mode)	t_{DQDMV}	1.5	—	ns	5 6
DD8	Data and Data Mask Output Hold (DQS-->DQ) Relative to DQS (DDR Write Mode)	t_{DQDMI}	1.0	—	ns	7
DD9	Input Data Skew Relative to DQS (Input Setup)	t_{DQDQ}	—	1	ns	8
DD10	Input Data Hold Relative to DQS.	t_{DIDQ}	$0.25 \times SD_CLK + 0.5ns$	—	ns	9
DD11	DQS falling edge from SDCLK rising (output hold time)	$t_{DQLSDCH}$	0.5	—	ns	—
DD12	DQS input read preamble width (t_{RPRE})	t_{DQRPRE}	0.9	1.1	SD_CLK	—
DD13	DQS input read postamble width (t_{RPST})	t_{DQRPST}	0.4	0.6	SD_CLK	—
DD14	DQS output write preamble width (t_{WPRE})	t_{DQWPRE}	0.25	—	SD_CLK	—
DD15	DQS output write postamble width (t_{WPST})	t_{DQWPST}	0.4	0.6	SD_CLK	—

NOTES:

- ¹ The frequency of operation is 2x or 4x the FB_CLK frequency of operation. FlexBus and SDRAM clock operate at the same frequency as the internal bus clock.
- ² SD_CLK is one SDRAM clock in (ns).
- ³ Pulse width high plus pulse width low cannot exceed min and max clock period.
- ⁴ Command output valid should be 1/2 the memory bus clock (SD_CLK) plus some minor adjustments for process, temperature, and voltage variations.
- ⁵ This specification relates to the required input setup time of today's DDR memories. The device's output setup should be larger than the input setup of the DDR memories. If it is not larger, the input setup on the memory is in violation. MEM_DATA[31:24] is relative to MEM_DQS[3], MEM_DATA[23:16] is relative to MEM_DQS[2], MEM_DATA[15:8] is relative to MEM_DQS[1], and MEM_[7:0] is relative MEM_DQS[0].
- ⁶ The first data beat is valid before the first rising edge of DQS and after the DQS write preamble. The remaining data beats are valid for each subsequent DQS edge.

Electrical Characteristics

- 7 This specification relates to the required hold time of today's DDR memories. MEM_DATA[31:24] is relative to MEM_DQS[3], MEM_DATA[23:16] is relative to MEM_DQS[2], MEM_DATA[15:8] is relative to MEM_DQS[1], and MEM_[7:0] is relative to MEM_DQS[0].
- 8 Data input skew is derived from each DQS clock edge. It begins with a DQS transition and ends when the last data line becomes valid. This input skew must include DDR memory output skew and system level board skew (due to routing or other factors).
- 9 Data input hold is derived from each DQS clock edge. It begins with a DQS transition and ends when the first data line becomes invalid.

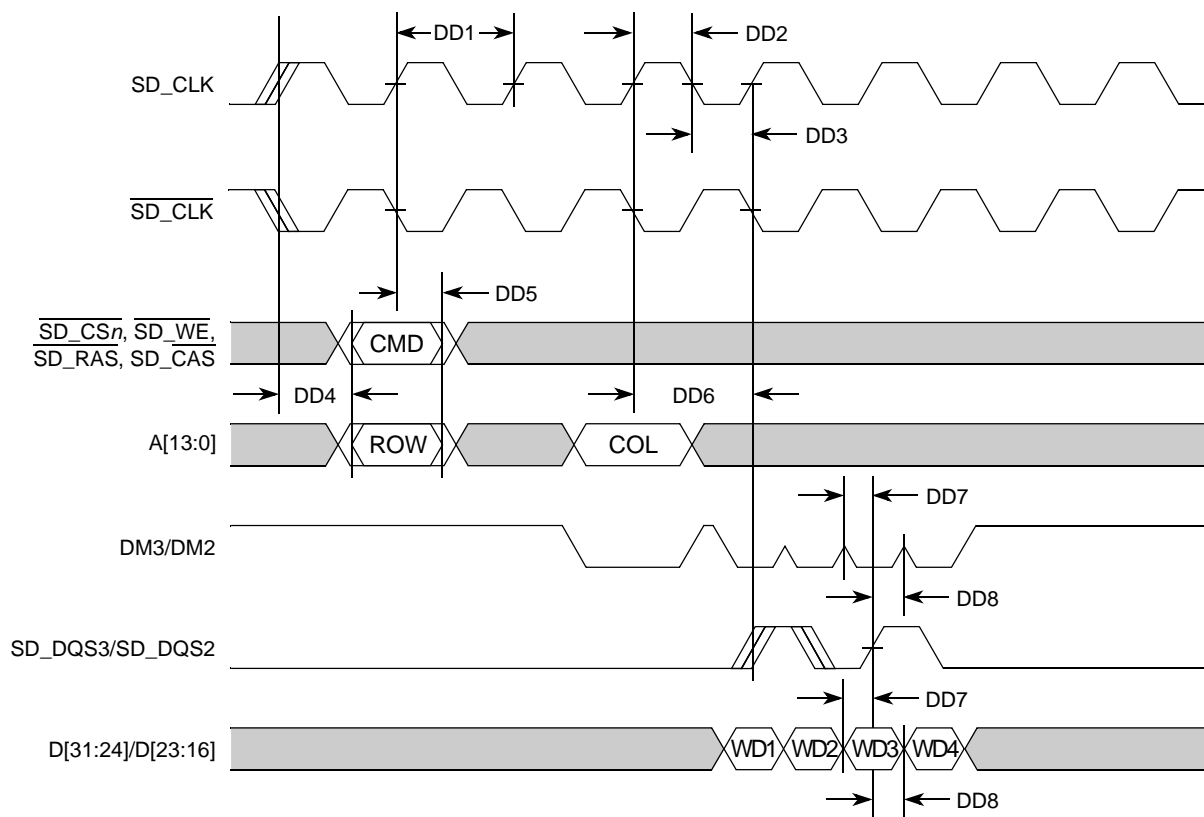


Figure 18. DDR Write Timing

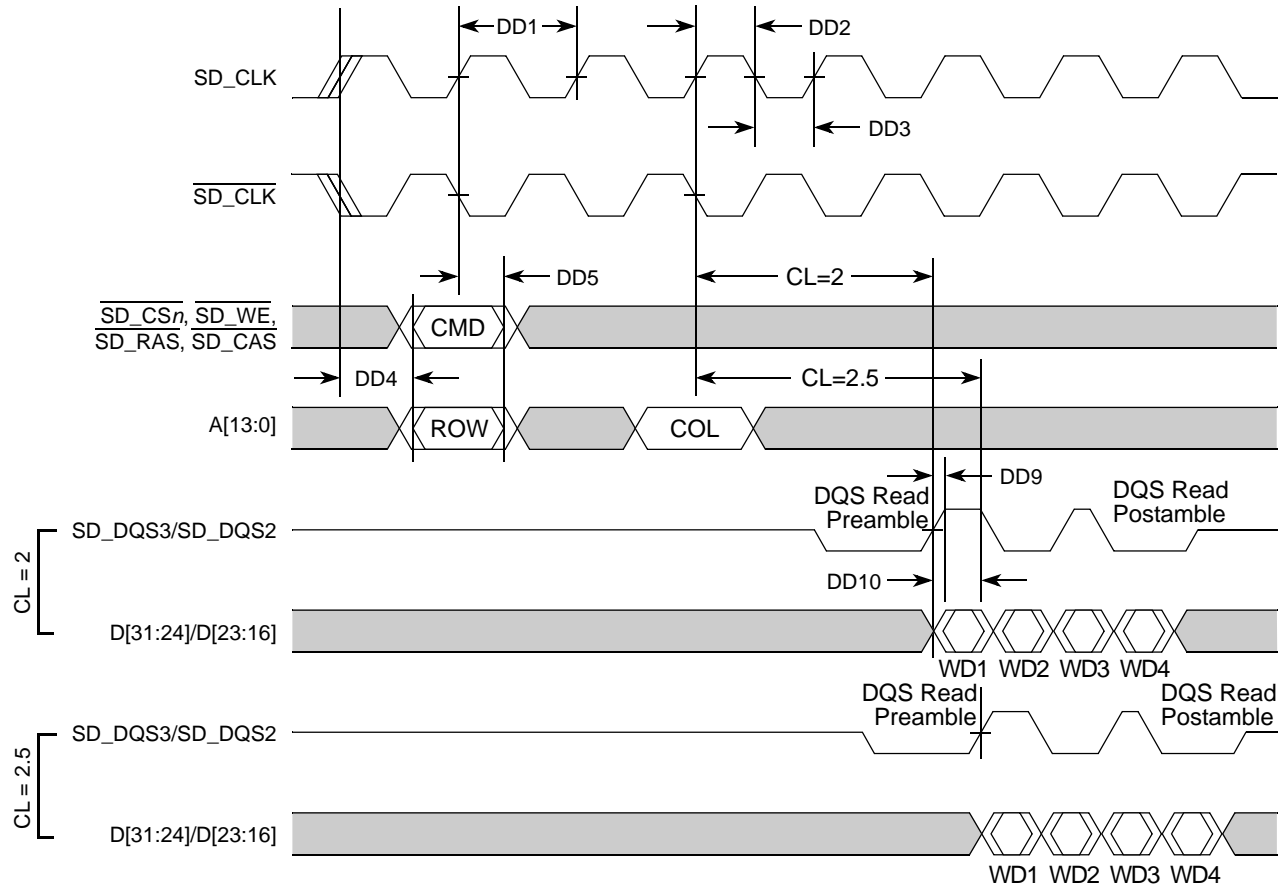


Figure 19. DDR Read Timing

5.9 General Purpose I/O Timing

 Table 14. GPIO Timing¹

Num	Characteristic	Symbol	Min	Max	Unit
G1	FB_CLK High to GPIO Output Valid	t_{CHPOV}	—	8	ns
G2	FB_CLK High to GPIO Output Invalid	t_{CHPOI}	1.5	—	ns
G3	GPIO Input Valid to FB_CLK High	t_{PVCH}	8	—	ns
G4	FB_CLK High to GPIO Input Invalid	t_{CHPI}	1.5	—	ns

NOTES:

¹ GPIO spec cover: \overline{IRQn} , UART and Timer pins.

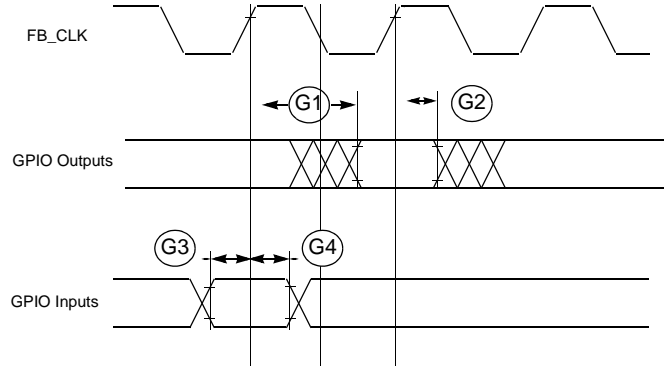


Figure 20. GPIO Timing

5.10 Reset and Configuration Override Timing

Table 15. Reset and Configuration Override Timing

Num	Characteristic	Symbol	Min	Max	Unit
R1	$\overline{\text{RESET}}$ Input valid to FB_CLK High	t_{RVCH}	9	—	ns
R2	FB_CLK High to $\overline{\text{RESET}}$ Input invalid	t_{CHRI}	1.5	—	ns
R3	$\overline{\text{RESET}}$ Input valid Time ¹	t_{RIVT}	5	—	t_{CYC}
R4	FB_CLK High to $\overline{\text{RSTOUT}}$ Valid	t_{CHROV}	—	10	ns
R5	$\overline{\text{RSTOUT}}$ valid to Config. Overrides valid	t_{ROVCV}	0	—	ns
R6	Configuration Override Setup Time to $\overline{\text{RSTOUT}}$ invalid	t_{COS}	20	—	t_{CYC}
R7	Configuration Override Hold Time after $\overline{\text{RSTOUT}}$ invalid	t_{COH}	0	—	ns
R8	$\overline{\text{RSTOUT}}$ invalid to Configuration Override High Impedance	t_{ROICZ}	—	1	t_{CYC}

NOTES:

¹ During low power STOP, the synchronizers for the $\overline{\text{RESET}}$ input are bypassed and $\overline{\text{RESET}}$ is asserted asynchronously to the system. Thus, $\overline{\text{RESET}}$ must be held a minimum of 100 ns.

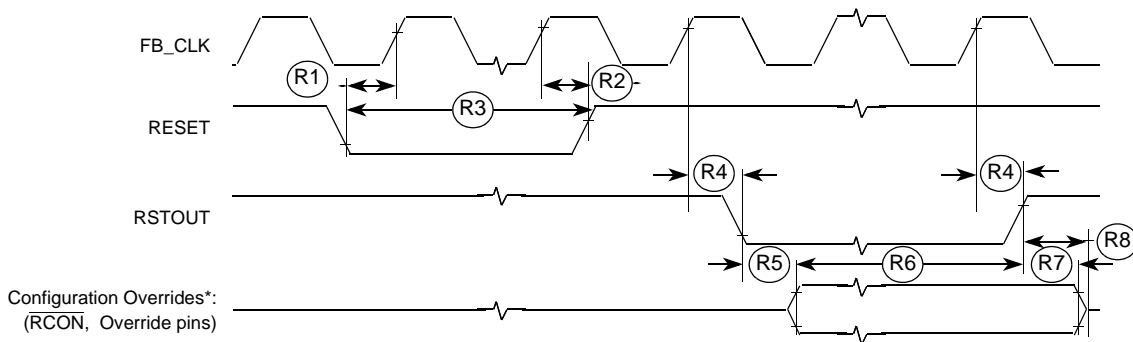


Figure 21. $\overline{\text{RESET}}$ and Configuration Override Timing

NOTE

Refer to the *MCF5208 Reference Manual* for more information.

5.11 I²C Input/Output Timing Specifications

Table 16 and Table 17 list specifications for the I²C input and output timing parameters.

Table 16. I²C Input Timing Specifications between I2C_SCL and I2C_SDA

Num	Characteristic	Min	Max	Unit
I1	Start condition hold time	2	—	t _{cyc}
I2	Clock low period	8	—	t _{cyc}
I3	I2C_SCL/I2C_SDA rise time (V _{IL} = 0.5 V to V _{IH} = 2.4 V)	—	1	ms
I4	Data hold time	0	—	ns
I5	I2C_SCL/I2C_SDA fall time (V _{IH} = 2.4 V to V _{IL} = 0.5 V)	—	1	ms
I6	Clock high time	4	—	t _{cyc}
I7	Data setup time	0	—	ns
I8	Start condition setup time (for repeated start condition only)	2	—	t _{cyc}
I9	Stop condition setup time	2	—	t _{cyc}

Table 17. I²C Output Timing Specifications between I2C_SCL and I2C_SDA

Num	Characteristic	Min	Max	Unit
I1 ¹	Start condition hold time	6	—	t _{cyc}
I2 ¹	Clock low period	10	—	t _{cyc}
I3 ²	I2C_SCL/I2C_SDA rise time (V _{IL} = 0.5 V to V _{IH} = 2.4 V)	—	—	μs
I4 ¹	Data hold time	7	—	t _{cyc}
I5 ³	I2C_SCL/I2C_SDA fall time (V _{IH} = 2.4 V to V _{IL} = 0.5 V)	—	3	ns
I6 ¹	Clock high time	10	—	t _{cyc}
I7 ¹	Data setup time	2	—	t _{cyc}
I8 ¹	Start condition setup time (for repeated start condition only)	20	—	t _{cyc}
I9 ¹	Stop condition setup time	10	—	t _{cyc}

NOTES:

- ¹ Output numbers depend on the value programmed into the IFDR; an IFDR programmed with the maximum frequency (IFDR = 0x20) results in minimum output timings as shown in Table A-16. The I²C interface is designed to scale the actual data transition time to move it to the middle of the I2C_SCL low period. The actual position is affected by the prescale and division values programmed into the IFDR; however, the numbers given in Table A-16 are minimum values.
- ² Because I2C_SCL and I2C_SDA are open-collector-type outputs, which the processor can only actively drive low, the time I2C_SCL or I2C_SDA take to reach a high level depends on external signal capacitance and pull-up resistor values.
- ³ Specified at a nominal 50-pF load.

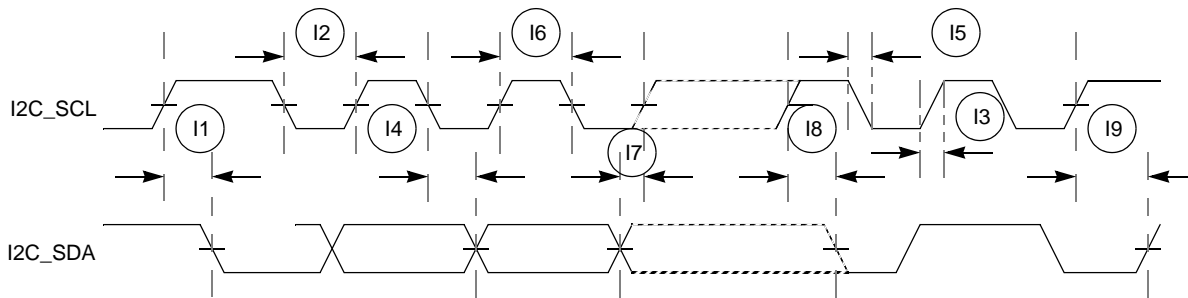


Figure 22. I²C Input/Output Timings

5.12 Fast Ethernet AC Timing Specifications

MII signals use TTL signal levels compatible with devices operating at 5.0 V or 3.3 V.

5.12.1 MII Receive Signal Timing (FEC_RXD[3:0], FEC_RXDV, FEC_RXER, and FEC_RXCLK)

The receiver functions correctly up to a FEC_RXCLK maximum frequency of 25 MHz +1%. There is no minimum frequency requirement. In addition, the processor clock frequency must exceed twice the FEC_RXCLK frequency.

Table 18 lists MII receive channel timings.

Table 18. MII Receive Signal Timing

Num	Characteristic	Min	Max	Unit
M1	FEC_RXD[3:0], FEC_RXDV, FEC_RXER to FEC_RXCLK setup	5	—	ns
M2	FEC_RXCLK to FEC_RXD[3:0], FEC_RXDV, FEC_RXER hold	5	—	ns
M3	FEC_RXCLK pulse width high	35%	65%	FEC_RXCLK period
M4	FEC_RXCLK pulse width low	35%	65%	FEC_RXCLK period

Figure 23 shows MII receive signal timings listed in Table 18.

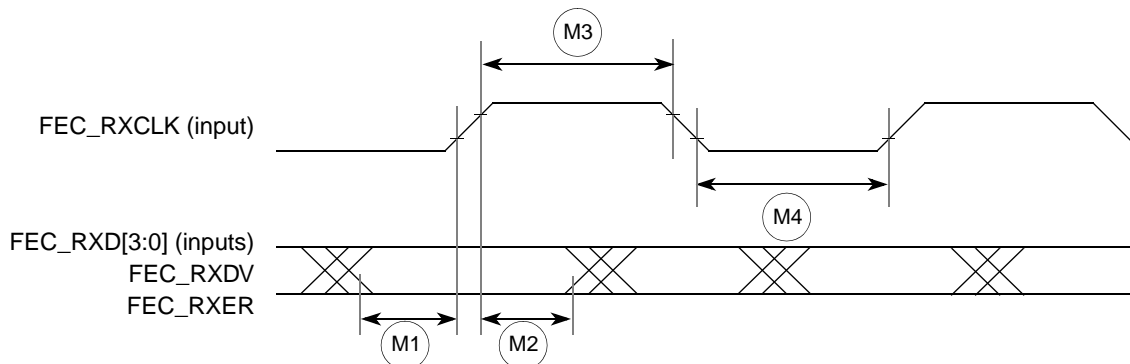


Figure 23. MII Receive Signal Timing Diagram

5.12.2 MII Transmit Signal Timing (FEC_TXD[3:0], FEC_TXEN, FEC_TXER, FEC_TXCLK)

Table 19 lists MII transmit channel timings.

The transmitter functions correctly up to a FEC_TXCLK maximum frequency of 25 MHz +1%. In addition, the processor clock frequency must exceed twice the FEC_TXCLK frequency.

Table 19. MII Transmit Signal Timing

Num	Characteristic	Min	Max	Unit
M5	FEC_TXCLK to FEC_TXD[3:0], FEC_TXEN, FEC_TXER invalid	5	—	ns
M6	FEC_TXCLK to FEC_TXD[3:0], FEC_TXEN, FEC_TXER valid	—	25	ns
M7	FEC_TXCLK pulse width high	35%	65%	FEC_TXCLK period
M8	FEC_TXCLK pulse width low	35%	65%	FEC_TXCLK period

Figure 24 shows MII transmit signal timings listed in Table 19.

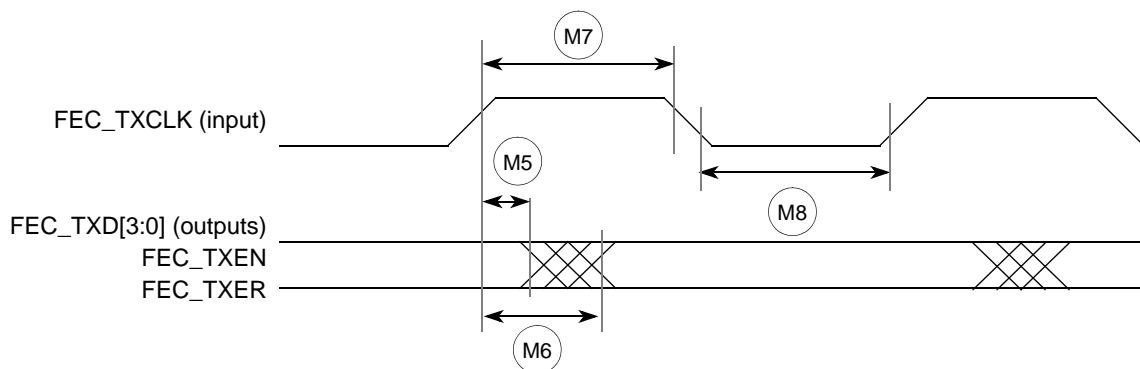


Figure 24. MII Transmit Signal Timing Diagram

5.12.3 MII Async Inputs Signal Timing (FEC_CRIS and FEC_COL)

Table 20 lists MII asynchronous inputs signal timing.

Table 20. MII Async Inputs Signal Timing

Num	Characteristic	Min	Max	Unit
M9	FEC_CRIS, FEC_COL minimum pulse width	1.5	—	FEC_TXCLK period

Figure 25 shows MII asynchronous input timings listed in Table 20.

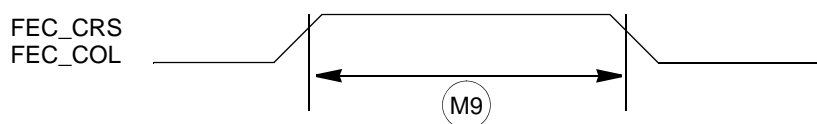


Figure 25. MII Async Inputs Timing Diagram

5.12.4 MII Serial Management Channel Timing (FEC_MDIO and FEC_MDC)

Table 21 lists MII serial management channel timings. The FEC functions correctly with a maximum MDC frequency of 2.5 MHz.

Table 21. MII Serial Management Channel Timing

Num	Characteristic	Min	Max	Unit
M10	FEC_MDC falling edge to FEC_MDIO output invalid (minimum propagation delay)	0	—	ns
M11	FEC_MDC falling edge to FEC_MDIO output valid (max prop delay)	—	25	ns
M12	FEC_MDIO (input) to FEC_MDC rising edge setup	10	—	ns
M13	FEC_MDIO (input) to FEC_MDC rising edge hold	0	—	ns
M14	FEC_MDC pulse width high	40%	60%	FEC_MDC period
M15	FEC_MDC pulse width low	40%	60%	FEC_MDC period

Figure 26 shows MII serial management channel timings listed in Table 21.

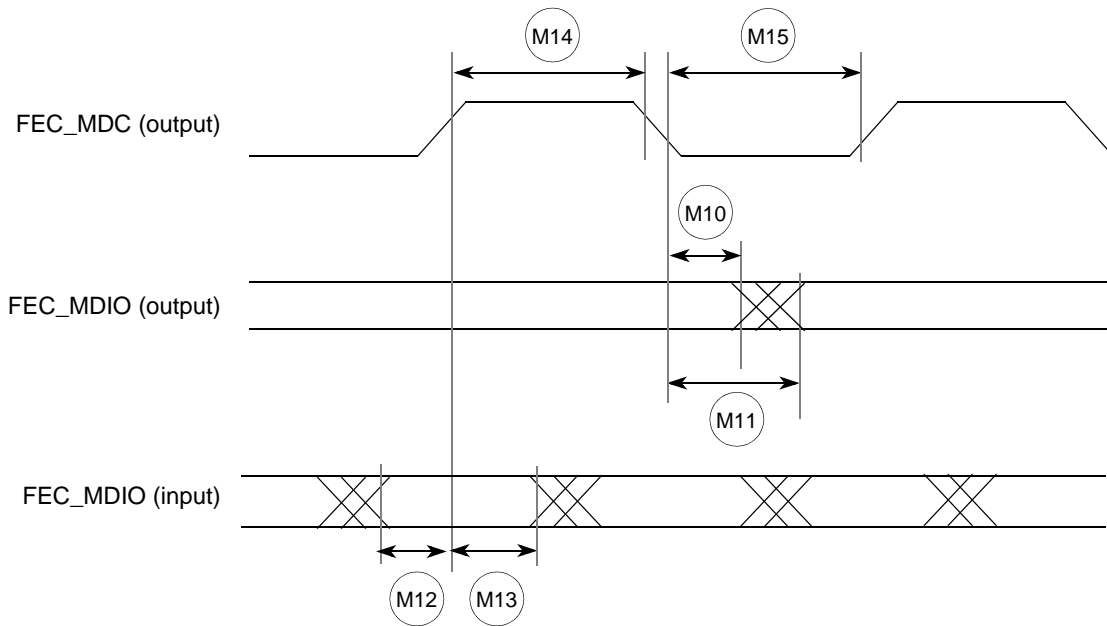


Figure 26. MII Serial Management Channel Timing Diagram

5.13 32-Bit Timer Module AC Timing Specifications

Table 22 lists timer module AC timings.

Table 22. Timer Module AC Timing Specifications

Name	Characteristic			Unit
		Min	Max	
T1	DT0IN / DT1IN / DT2IN / DT3IN cycle time	3	—	t_{CYC}
T2	DT0IN / DT1IN / DT2IN / DT3IN pulse width	1	—	t_{CYC}

5.14 QSPI Electrical Specifications

Table 23 lists QSPI timings.

Table 23. QSPI Modules AC Timing Specifications

Name	Characteristic	Min	Max	Unit
QS1	QSPI_CS[3:0] to QSPI_CLK	1	510	tcyc
QS2	QSPI_CLK high to QSPI_DOUT valid.	—	10	ns
QS3	QSPI_CLK high to QSPI_DOUT invalid. (Output hold)	1.5	—	ns
QS4	QSPI_DIN to QSPI_CLK (Input setup)	9	—	ns
QS5	QSPI_DIN to QSPI_CLK (Input hold)	9	—	ns

The values in Table 23 correspond to Figure 27.

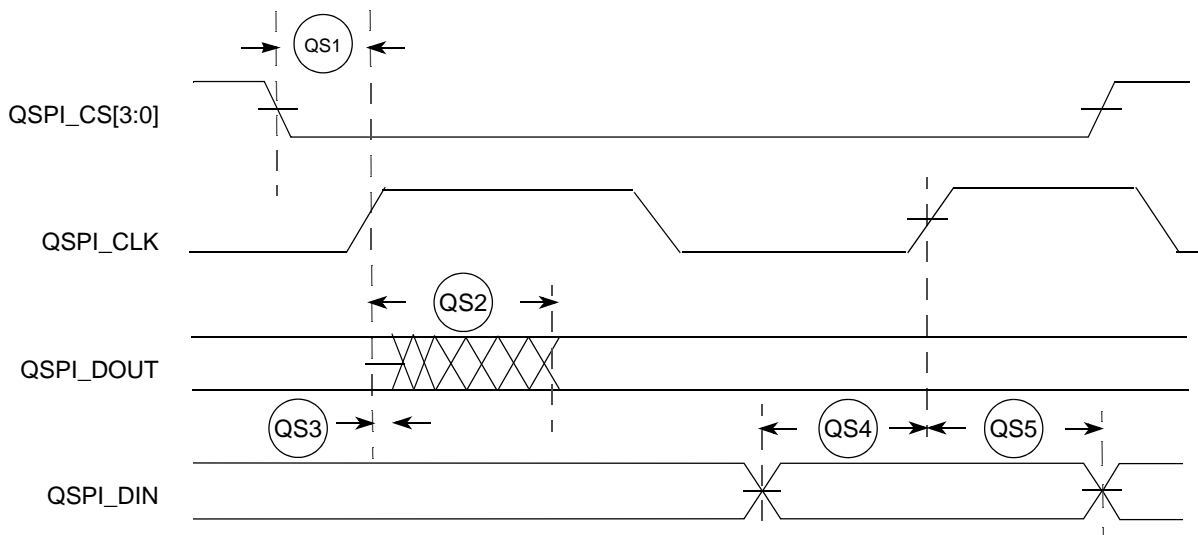


Figure 27. QSPI Timing

5.15 JTAG and Boundary Scan Timing

Table 24. JTAG and Boundary Scan Timing

Num	Characteristics ¹	Symbol	Min	Max	Unit
J1	TCLK Frequency of Operation	f_{JCYC}	DC	1/4	$f_{sys/2}$
J2	TCLK Cycle Period	t_{JCYC}	4	—	t_{CYC}
J3	TCLK Clock Pulse Width	t_{JCW}	26	—	ns
J4	TCLK Rise and Fall Times	t_{JCRF}	0	3	ns
J5	Boundary Scan Input Data Setup Time to TCLK Rise	t_{BSDST}	4	—	ns
J6	Boundary Scan Input Data Hold Time after TCLK Rise	t_{BSDHT}	26	—	ns
J7	TCLK Low to Boundary Scan Output Data Valid	t_{BSDV}	0	33	ns
J8	TCLK Low to Boundary Scan Output High Z	t_{BSDZ}	0	33	ns
J9	TMS, TDI Input Data Setup Time to TCLK Rise	t_{TAPBST}	4	—	ns
J10	TMS, TDI Input Data Hold Time after TCLK Rise	t_{TAPBHT}	10	—	ns
J11	TCLK Low to TDO Data Valid	t_{TDODV}	0	26	ns
J12	TCLK Low to TDO High Z	t_{TDODZ}	0	8	ns
J13	\overline{TRST} Assert Time	t_{TRSTAT}	100	—	ns
J14	\overline{TRST} Setup Time (Negation) to TCLK High	t_{TRSTST}	10	—	ns

NOTES:

¹ JTAG_EN is expected to be a static signal. Hence, specific timing is not associated with it.

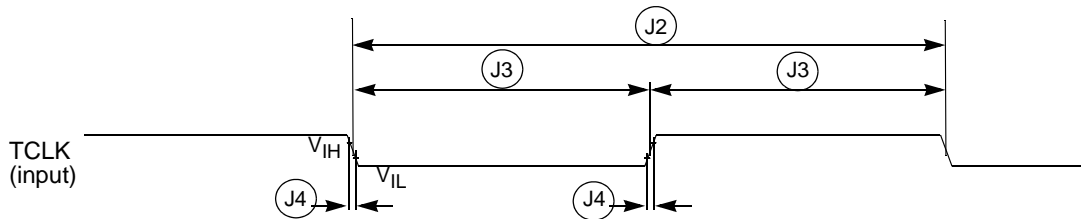


Figure 28. Test Clock Input Timing

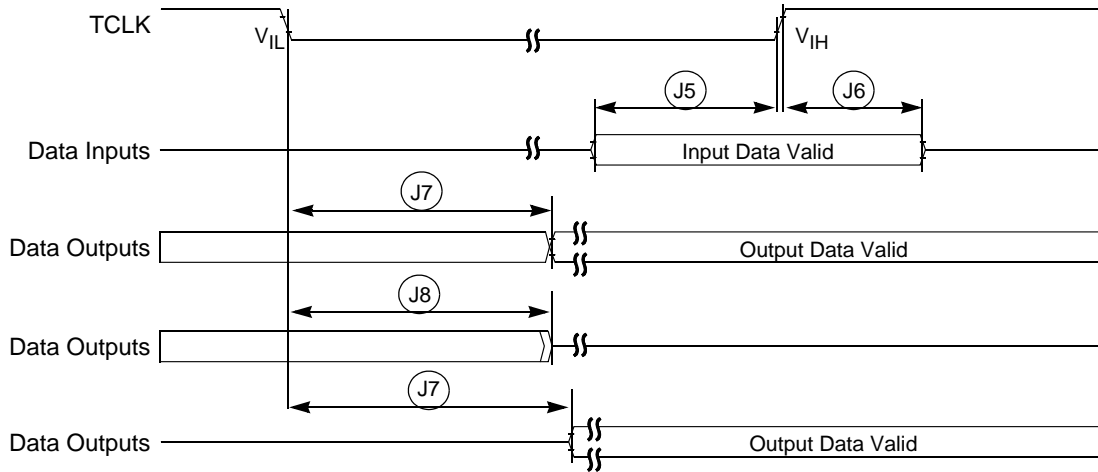


Figure 29. Boundary Scan (JTAG) Timing

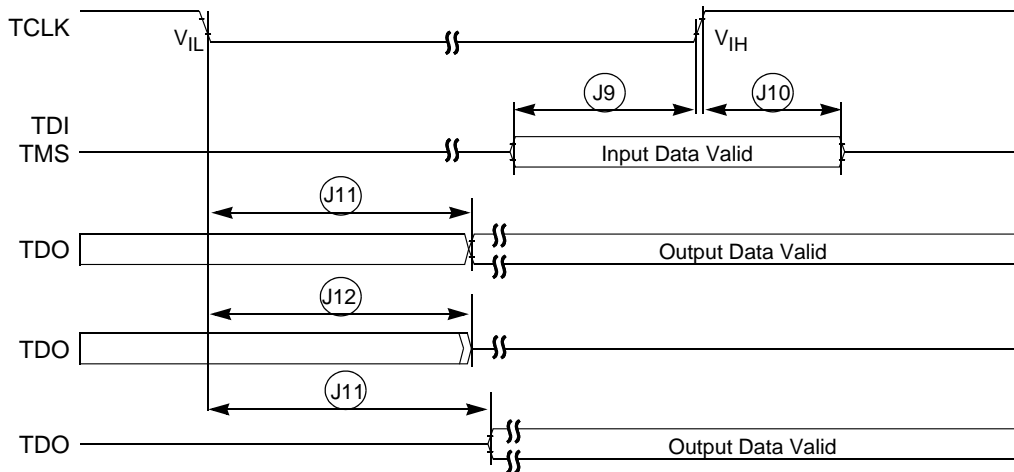


Figure 30. Test Access Port Timing

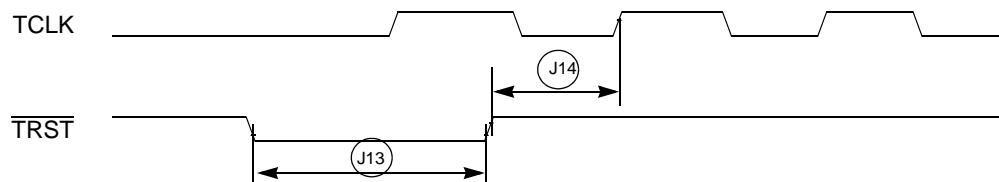


Figure 31. \overline{TRST} Timing

5.16 Debug AC Timing Specifications

Table 25 lists specifications for the debug AC timing parameters shown in Figure 32.

Table 25. Debug AC Timing Specification

Num	Characteristic	Min	Max	Unit
D0	PSTCLK cycle time	1	1	t_{sys}
D1	PSTCLK rising to PSTDDATA valid	—	3.0	ns
D2	PSTCLK rising to PSTDDATA invalid	1.5	—	ns
D3	DSI-to-DSCLK setup	1	—	PSTCLK
D4 ¹	DSCLK-to-DSO hold	4	—	PSTCLK
D5	DSCLK cycle time	5	—	PSTCLK
D6	BKPT assertion time	1	—	PSTCLK

NOTES:

¹ DSCLK and DSI are synchronized internally. D4 is measured from the synchronized DSCLK input relative to the rising edge of PSTCLK.

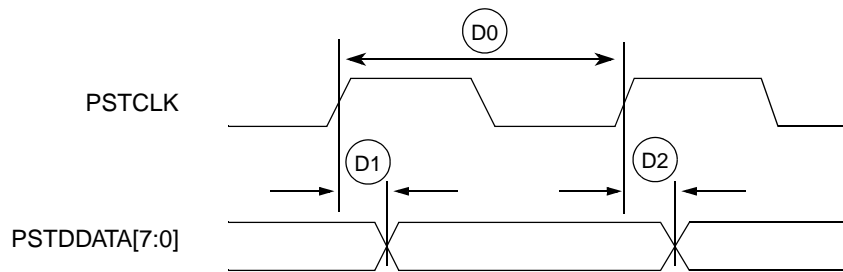


Figure 32. Real-Time Trace AC Timing

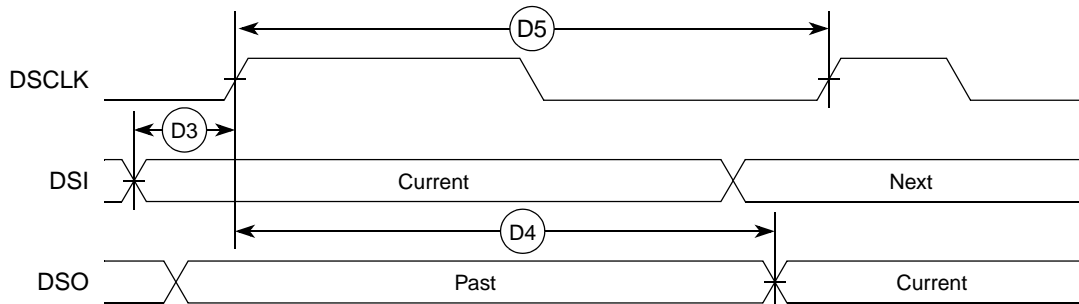


Figure 33. BDM Serial Port AC Timing

6 Revision History

Table 26. Revision History

Revision Number	Date	Substantive Changes
0	5/23/2005	<ul style="list-style-type: none"> Initial Release
0.1	6/16/2005	<ul style="list-style-type: none"> Corrected 144QFP pinout in Figure 1. Pins 139-142 incorrectly showed FEC functionality, which are actually UART 0/1 clear-to-send and request-to-send signals. Changed maximum core frequency in Table 10, spec #2, from 240MHz to 166.67MHz. Also, changed symbols in table: $f_{core} \rightarrow f_{sys}$ and $f_{sys} \rightarrow f_{sys/2}$ for consistency throughout document and reference manual.
0.2	8/26/2005	<ul style="list-style-type: none"> Changed ball M9 from SD_VDD to EVDD in Figure 9. Table 3: Pin 33 for 144 LQFP package should be EVDD instead of SD_VDD. $\overline{BE}/\overline{BWE}[3:0]$ for 144 LQFP should be "20, 48, 18, 50" instead of "18, 20, 48, 50" <p>Cleaned up various electrical specifications:</p> <ul style="list-style-type: none"> Table 4: Added DDR/Memory pad supply voltage spec, changed "clock synthesizer supply voltage" to "PLL supply voltage", changed min $PLL_{V_{DD}}$ from -0.5 to -0.3, changed max V_{IN} from 4.0 to 3.6, changed minimum T_{stg} from -65 to -55, Table 5: Changed TBD values in T_j entry to 105°C. Table 7: Changed minimum core supply voltage from 1.35 to 1.4 and maximum from 1.65 to 1.6, added PLL supply voltage entry, added pad supply entries for mobile-DDR, DDR, and SDR, changed minimum input high voltage from $0.7 \times EV_{DD}$ to 2 and maximum from 3.65 to $EV_{DD} + 0.05$, changed minimum input low voltage from $VSS - 0.3$ to -0.05 and maximum from $0.35 \times EV_{DD}$ to 0.8, added input high/low voltage entries for DDR and mobile-DDR, removed high impedance leakage current entry, changed minimum output high voltage from $EV_{DD} - 0.5$ to $EV_{DD} - 0.4$, added DDR/bus output high/low voltage entries, removed load capacitance and DC injection current entries. Added filtering circuits and voltage sequencing sections: Section 5.4.1, "PLL Power Filtering," and Section 5.4.2, "Supply Voltage Sequencing and Separation Cautions." Removed "Operating Conditions" table from Section 5.6, "Oscillator and PLL Electrical Characteristics," because it is redundant with Table 7. Table 11: Changed minimum core frequency to TBD, removed external reference and on-chip PLL frequency specs to have only a CLKOUT frequency spec of TBD to 83.33MHz, removed loss of reference frequency and self-clocked mode frequency entries, in EXTAL input high/low voltage entries changed "All other modes (Dual controller (1:1), Bypass, External)" to "All other modes (External, Limp)", removed XTAL output high/low voltage entries, removed power-up to lock time entry, removed last 5 entries (frequency un-lock range, frequency lock range, CLKOUT period jitter, frequency modulation range limit, and ICO frequency)
0.3	9/07/2005	<ul style="list-style-type: none"> Corrected DRAMSEL footnote #3 in Table 3. Updated Table 3 with 144MAPBGA pin locations. Added 144MAPBGA ballmap to Section 4.3, "Pinout—144 MAPBGA." Changed J12 from PLL_VDD to IVDD in Figure 9.

Table 26. Revision History (continued)

Revision Number	Date	Substantive Changes
0.4	10/10/2005	<ul style="list-style-type: none"> • Figure 1 and Table 3: Changed pin 33 from EVDD to SD_VDD • Figure 4 and Table 3: Changed ball D10 from TEST to VSS • Figure 6 and Table 3: Changed pin 39 from EVDD to SD_VDD and pin 117 from TEST to VSS
0.5	3/29/2006	<ul style="list-style-type: none"> • Added “top view” and “bottom view” labels where appropriate to mechanical drawings and pinouts. • Updated mechanical drawings to latest available, and added note to Section 4, “Mechanicals and Pinouts.”
0.6	7/21/2006	<ul style="list-style-type: none"> • Corrected cross-reference to Figure 9 in Section 4.7, “Pinout—196 MAPBGA.” • Corrected L3 label in Figure 9 from SD_DR_DQS to SD_SDR_DQS. • Corrected L6 label in Figure 9 from SD_DQS0 to SD_DQS2 and H3 from SD_DQS1 to SD_DQS3. • Removed second sentence from Section 5.12.2, “MII Transmit Signal Timing (FEC_TXD[3:0], FEC_TXEN, FEC_TXER, FEC_TXCLK),” regarding no minimum frequency requirement for TXCLK. • Removed third and fourth paragraphs from Section 5.12.2, “MII Transmit Signal Timing (FEC_TXD[3:0], FEC_TXEN, FEC_TXER, FEC_TXCLK),” as this feature is not supported on this device.
1	3/28/2007	<ul style="list-style-type: none"> • Removed preliminary designation from Section 5, “Electrical Characteristics.” • Updated Section 5.2, “Thermal Characteristics.” • Updated Section 5.4, “DC Electrical Specifications.” • Added Section 5.5, “Current Consumption.” • Updated Section 5.6, “Oscillator and PLL Electrical Characteristics.” • Made some corrections to the drawings in Section 5.8, “SDRAM Bus.” • Edited for grammar, punctuation, spelling, style, and format. - JD
2	12/4/2008	<ul style="list-style-type: none"> • Updated FlexBus read and write timing diagrams in Figure 14 and Figure 15. <p>Changed the following specs in Table 12 and Table 13:</p> <ul style="list-style-type: none"> • Minimum frequency of operation from TBD to 60MHz • Maximum clock period from TBD to 16.67 ns
3	9/1/2009	<ul style="list-style-type: none"> • Changed doc type from Advance Information to Technical Data

How to Reach Us:

Home Page:

www.freescale.com

E-mail:

support@freescale.com

USA/Europe or Locations Not Listed:

Freescale Semiconductor
Technical Information Center, CH370
1300 N. Alma School Road
Chandler, Arizona 85224
+1-800-521-6274 or +1-480-768-2130
support@freescale.com

Europe, Middle East, and Africa:

Freescale Halbleiter Deutschland GmbH
Technical Information Center
Schatzbogen 7
81829 Muenchen, Germany
+44 1296 380 456 (English)
+46 8 52200080 (English)
+49 89 92103 559 (German)
+33 1 69 35 48 48 (French)
support@freescale.com

Japan:

Freescale Semiconductor Japan Ltd.
Headquarters
ARCO Tower 15F
1-8-1, Shimo-Meguro, Meguro-ku,
Tokyo 153-0064, Japan
0120 191014 or +81 3 5437 9125
support.japan@freescale.com

Asia/Pacific:

Freescale Semiconductor Hong Kong Ltd.
Technical Information Center
2 Dai King Street
Tai Po Industrial Estate
Tai Po, N.T., Hong Kong
+800 2666 8080
support.asia@freescale.com

For Literature Requests Only:

Freescale Semiconductor Literature Distribution Center
P.O. Box 5405
Denver, Colorado 80217
1-800-441-2447 or 303-675-2140
Fax: 303-675-2150
LDCForFreescaleSemiconductor@hibbertgroup.com

Information in this document is provided solely to enable system and software implementers to use Freescale Semiconductor products. There are no express or implied copyright licenses granted hereunder to design or fabricate any integrated circuits or integrated circuits based on the information in this document.

Freescale Semiconductor reserves the right to make changes without further notice to any products herein. Freescale Semiconductor makes no warranty, representation or guarantee regarding the suitability of its products for any particular purpose, nor does Freescale Semiconductor assume any liability arising out of the application or use of any product or circuit, and specifically disclaims any and all liability, including without limitation consequential or incidental damages. "Typical" parameters that may be provided in Freescale Semiconductor data sheets and/or specifications can and do vary in different applications and actual performance may vary over time. All operating parameters, including "Typicals", must be validated for each customer application by customer's technical experts. Freescale Semiconductor does not convey any license under its patent rights nor the rights of others. Freescale Semiconductor products are not designed, intended, or authorized for use as components in systems intended for surgical implant into the body, or other applications intended to support or sustain life, or for any other application in which the failure of the Freescale Semiconductor product could create a situation where personal injury or death may occur. Should Buyer purchase or use Freescale Semiconductor products for any such unintended or unauthorized application, Buyer shall indemnify and hold Freescale Semiconductor and its officers, employees, subsidiaries, affiliates, and distributors harmless against all claims, costs, damages, and expenses, and reasonable attorney fees arising out of, directly or indirectly, any claim of personal injury or death associated with such unintended or unauthorized use, even if such claim alleges that Freescale Semiconductor was negligent regarding the design or manufacture of the part.



Freescale™ and the Freescale logo are trademarks of Freescale Semiconductor, Inc. All other product or service names are the property of their respective owners. © Freescale Semiconductor, Inc. 2009. All rights reserved.

MCF5208EC
Rev. 3
9/2009

X-ON Electronics

Largest Supplier of Electrical and Electronic Components

Click to view similar products for [Microprocessors - MPU category](#):

Click to view products by [NXP manufacturer](#):

Other Similar products are found below :

[MC7457RX1000LC](#) [MC7457RX1267LC](#) [A2C00010998 A](#) [A2C52004004](#) [R5F117BCGNA#20](#) [ADJ3400IAA5DOE](#) [MPC8245TZU300D](#)
[MPC8260ACVVMHBB](#) [MPC8323ECVRAFDCA](#) [MPC8536ECVJAVLA](#) [BOXNUC5PGYH0AJ](#) [20-668-0024](#) [P1010NSN5DFB](#)
[P2020NXE2HHC](#) [P5020NSE7VNB](#) [LS1020ASN7KQB](#) [LS1020AXN7HNB](#) [LS1020AXN7KQB](#) [A2C00010729 A](#) [A2C00039344](#)
[T1022NSE7MQB](#) [T1022NXN7PQB](#) [T1023NSE7MQA](#) [T1024NXE7PQA](#) [T1042NSN7MQB](#) [T1042NXN7WQB](#) [T2080NSN8PTB](#)
[T2080NXE8TTB](#) [T2081NXN8TTB](#) [MC68302CEH20C](#) [TS68040MF33A](#) [MPC8260ACVVMIBB](#) [MPC8280CZUUPEA](#)
[MPC8313ECVRAGDC](#) [MPC8313EVRADDC](#) [MPC8313VRADDC](#) [MPC8323EVRAFDCA](#) [BOXSTCK1A8LFCL](#) [UPD78F0503AMCA-](#)
[CAB-G](#) [UPD78F0513AGA-8EU-AT](#) [Z8018008VEG](#) [LS1020ASE7HNB](#) [LS1021ASE7KQB](#) [LS1021ASN7KQB](#) [MPC8358ECVRAGDGA](#)
[MPC8544CVJALFA](#) [MPC855TZQ80D4](#) [MPC8569VJAUNLB](#) [P1013NSN2EFB](#) [T1020NSE7MQB](#)