

MPC8349EA PowerQUICC II Pro Integrated Host Processor Hardware Specifications

The MPC8349EA PowerQUICC II Pro is a next generation PowerQUICC II integrated host processor. The MPC8349EA contains a processor core built on Power Architecture® technology with system logic for networking, storage, and general-purpose embedded applications. For functional characteristics of the processor, refer to the *MPC8349EA PowerQUICC II Pro Integrated Host Processor Family Reference Manual*.

To locate published errata or updates for this document, refer to the MPC8349EA product summary page on our website, as listed on the back cover of this document, or contact your local Freescale sales office.

Contents

| | |
|--|----|
| 1. Overview | 2 |
| 2. Electrical Characteristics | 6 |
| 3. Power Characteristics | 10 |
| 4. Clock Input Timing | 12 |
| 5. RESET Initialization | 13 |
| 6. DDR and DDR2 SDRAM | 15 |
| 7. DUART | 21 |
| 8. Ethernet: Three-Speed Ethernet, MII Management .. | 22 |
| 9. USB | 34 |
| 10. Local Bus | 35 |
| 11. JTAG | 41 |
| 12. I ² C | 45 |
| 13. PCI | 47 |
| 14. Timers | 49 |
| 15. GPIO | 50 |
| 16. IPIC | 51 |
| 17. SPI | 52 |
| 18. Package and Pin Listings | 53 |
| 19. Clocking | 66 |
| 20. Thermal | 74 |
| 21. System Design Information | 79 |
| 22. Ordering Information | 82 |
| 23. Document Revision History | 84 |

NOTE

The information in this document is accurate for revision 3.x silicon and later (in other words, for orderable part numbers ending in A or B). For information on revision 1.1 silicon and earlier versions, see the *MPC8349E PowerQUICC II Pro Integrated Host Processor Hardware Specifications*.

See [Section 22.1, “Part Numbers Fully Addressed by This Document,”](#) for silicon revision level determination.

1 Overview

This section provides a high-level overview of the device features. [Figure 1](#) shows the major functional units within the MPC8349EA.

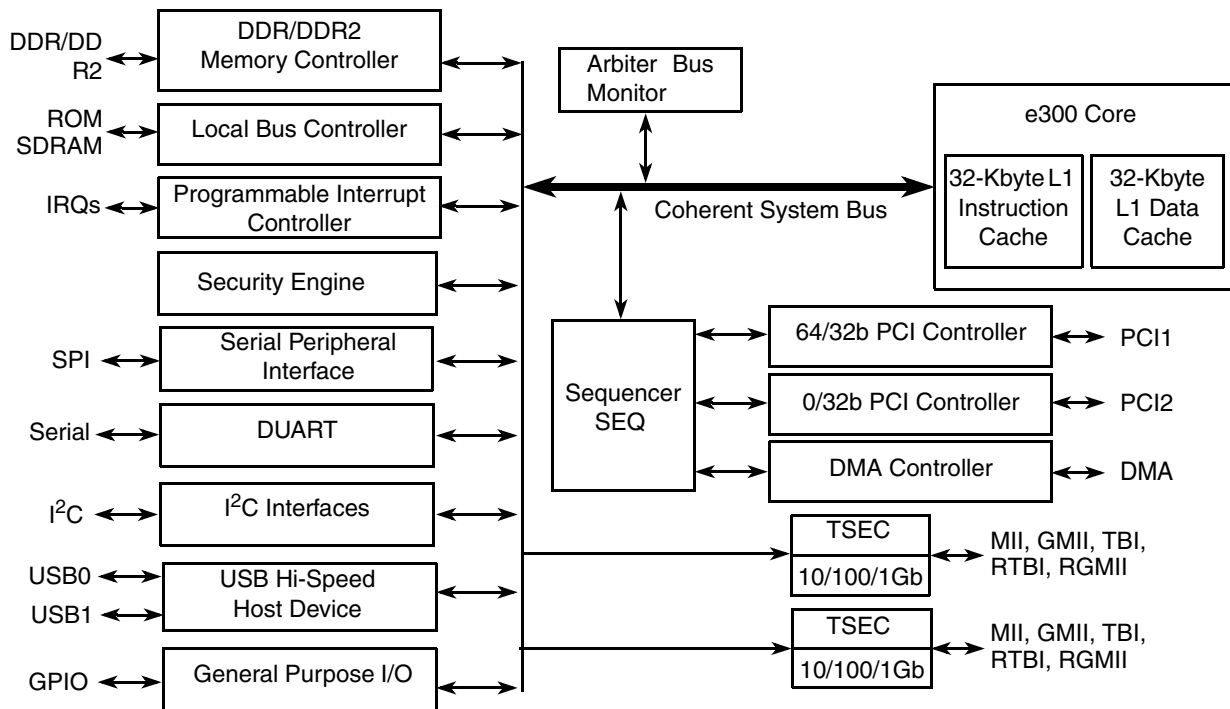


Figure 1. MPC8349EA Block Diagram

Major features of the device are as follows:

- Embedded PowerPC e300 processor core; operates at up to 667 MHz
 - High-performance, superscalar processor core
 - Floating-point, integer, load/store, system register, and branch processing units
 - 32-Kbyte instruction cache, 32-Kbyte data cache
 - Lockable portion of L1 cache
 - Dynamic power management
 - Software-compatible with the other Freescale processor families that implement Power Architecture technology

- Double data rate, DDR1/DDR2 SDRAM memory controller
 - Programmable timing supporting DDR1 and DDR2 SDRAM
 - 32- or 64-bit data interface, up to 400 MHz data rate
 - Up to four physical banks (chip selects), each bank up to 1 Gbyte independently addressable
 - DRAM chip configurations from 64 Mbits to 1 Gbit with $\times 8/\times 16$ data ports
 - Full error checking and correction (ECC) support
 - Support for up to 16 simultaneous open pages (up to 32 pages for DDR2)
 - Contiguous or discontinuous memory mapping
 - Read-modify-write support
 - Sleep-mode support for SDRAM self refresh
 - Auto refresh
 - On-the-fly power management using CKE
 - Registered DIMM support
 - 2.5-V SSTL2 compatible I/O for DDR1, 1.8-V SSTL2 compatible I/O for DDR2
- Dual three-speed (10/100/1000) Ethernet controllers (TSECs)
 - Dual controllers designed to comply with IEEE 802.3™, 802.3u™, 802.3x™, 802.3z™, 802.3ac™ standards
 - Ethernet physical interfaces:
 - 1000 Mbps IEEE Std. 802.3 GMII/RGMII, IEEE Std. 802.3z TBI/RTBI, full-duplex
 - 10/100 Mbps IEEE Std. 802.3 MII full- and half-duplex
 - Buffer descriptors are backward-compatible with MPC8260 and MPC860T 10/100 programming models
 - 9.6-Kbyte jumbo frame support
 - RMON statistics support
 - Internal 2-Kbyte transmit and 2-Kbyte receive FIFOs per TSEC module
 - MII management interface for control and status
 - Programmable CRC generation and checking
- Dual PCI interfaces
 - Designed to comply with *PCI Specification Revision 2.3*
 - Data bus width options:
 - Dual 32-bit data PCI interfaces operating at up to 66 MHz
 - Single 64-bit data PCI interface operating at up to 66 MHz
 - PCI 3.3-V compatible
 - PCI host bridge capabilities on both interfaces
 - PCI agent mode on PCI1 interface
 - PCI-to-memory and memory-to-PCI streaming
 - Memory prefetching of PCI read accesses and support for delayed read transactions
 - Posting of processor-to-PCI and PCI-to-memory writes

- On-chip arbitration supporting five masters on PCI1, three masters on PCI2
- Accesses to all PCI address spaces
- Parity supported
- Selectable hardware-enforced coherency
- Address translation units for address mapping between host and peripheral
- Dual address cycle for target
- Internal configuration registers accessible from PCI
- Security engine is optimized to handle all the algorithms associated with IPSec, SSL/TLS, SRTP, IEEE Std. 802.11i®, iSCSI, and IKE processing. The security engine contains four crypto-channels, a controller, and a set of crypto execution units (EUs):
 - Public key execution unit (PKEU) :
 - RSA and Diffie-Hellman algorithms
 - Programmable field size up to 2048 bits
 - Elliptic curve cryptography
 - F2m and F(p) modes
 - Programmable field size up to 511 bits
 - Data encryption standard (DES) execution unit (DEU)
 - DES and 3DES algorithms
 - Two key (K1, K2) or three key (K1, K2, K3) for 3DES
 - ECB and CBC modes for both DES and 3DES
 - Advanced encryption standard unit (AESU)
 - Implements the Rijndael symmetric-key cipher
 - Key lengths of 128, 192, and 256 bits
 - ECB, CBC, CCM, and counter (CTR) modes
 - XOR parity generation accelerator for RAID applications
 - ARC four execution unit (AFEU)
 - Stream cipher compatible with the RC4 algorithm
 - 40- to 128-bit programmable key
 - Message digest execution unit (MDEU)
 - SHA with 160-, 224-, or 256-bit message digest
 - MD5 with 128-bit message digest
 - HMAC with either algorithm
 - Random number generator (RNG)
 - Four crypto-channels, each supporting multi-command descriptor chains
 - Static and/or dynamic assignment of crypto-execution units through an integrated controller
 - Buffer size of 256 bytes for each execution unit, with flow control for large data sizes
- Universal serial bus (USB) dual role controller
 - USB on-the-go mode with both device and host functionality

- Complies with USB specification Rev. 2.0
- Can operate as a stand-alone USB device
 - One upstream facing port
 - Six programmable USB endpoints
- Can operate as a stand-alone USB host controller
 - USB root hub with one downstream-facing port
 - Enhanced host controller interface (EHCI) compatible
 - High-speed (480 Mbps), full-speed (12 Mbps), and low-speed (1.5 Mbps) operations
- External PHY with UTMI, serial and UTMI+ low-pin interface (ULPI)
- Universal serial bus (USB) multi-port host controller
 - Can operate as a stand-alone USB host controller
 - USB root hub with one or two downstream-facing ports
 - Enhanced host controller interface (EHCI) compatible
 - Complies with *USB Specification Rev. 2.0*
 - High-speed (480 Mbps), full-speed (12 Mbps), and low-speed (1.5 Mbps) operations
 - Direct connection to a high-speed device without an external hub
 - External PHY with serial and low-pin count (ULPI) interfaces
- Local bus controller (LBC)
 - Multiplexed 32-bit address and data operating at up to 133 MHz
 - Eight chip selects for eight external slaves
 - Up to eight-beat burst transfers
 - 32-, 16-, and 8-bit port sizes controlled by an on-chip memory controller
 - Three protocol engines on a per chip select basis:
 - General-purpose chip select machine (GPCM)
 - Three user-programmable machines (UPMs)
 - Dedicated single data rate SDRAM controller
 - Parity support
 - Default boot ROM chip select with configurable bus width (8-, 16-, or 32-bit)
- Programmable interrupt controller (PIC)
 - Functional and programming compatibility with the MPC8260 interrupt controller
 - Support for 8 external and 35 internal discrete interrupt sources
 - Support for 1 external (optional) and 7 internal machine checkstop interrupt sources
 - Programmable highest priority request
 - Four groups of interrupts with programmable priority
 - External and internal interrupts directed to host processor
 - Redirects interrupts to external $\overline{\text{INTA}}$ pin in core disable mode.
 - Unique vector number for each interrupt source

- Dual industry-standard I²C interfaces
 - Two-wire interface
 - Multiple master support
 - Master or slave I²C mode support
 - On-chip digital filtering rejects spikes on the bus
 - System initialization data optionally loaded from I²C-1 EPROM by boot sequencer embedded hardware
- DMA controller
 - Four independent virtual channels
 - Concurrent execution across multiple channels with programmable bandwidth control
 - Handshaking (external control) signals for all channels: $\overline{\text{DMA_DREQ}}[0:3]$, $\overline{\text{DMA_DACK}}[0:3]$, $\overline{\text{DMA_DDONE}}[0:3]$
 - All channels accessible to local core and remote PCI masters
 - Misaligned transfer capability
 - Data chaining and direct mode
 - Interrupt on completed segment and chain
- DUART
 - Two 4-wire interfaces (RxD, TxD, RTS, CTS)
 - Programming model compatible with the original 16450 UART and the PC16550D
- Serial peripheral interface (SPI) for master or slave
- General-purpose parallel I/O (GPIO)
 - 64 parallel I/O pins multiplexed on various chip interfaces
- System timers
 - Periodic interrupt timer
 - Real-time clock
 - Software watchdog timer
 - Eight general-purpose timers
- Designed to comply with IEEE Std. 1149.1™, JTAG boundary scan
- Integrated PCI bus and SDRAM clock generation

2 Electrical Characteristics

This section provides the AC and DC electrical specifications and thermal characteristics for the MPC8349EA. The device is currently targeted to these specifications. Some of these specifications are independent of the I/O cell, but are included for a more complete reference. These are not purely I/O buffer design specifications.

2.1 Overall DC Electrical Characteristics

This section covers the ratings, conditions, and other characteristics.

2.1.1 Absolute Maximum Ratings

Table 1 provides the absolute maximum ratings.

Table 1. Absolute Maximum Ratings¹

| Parameter | | Symbol | Max Value | Unit | Notes |
|--|--|------------|--|------|-------|
| Core supply voltage | | V_{DD} | -0.3 to 1.32 (1.36 max for 667-MHz core frequency) | V | — |
| PLL supply voltage | | AV_{DD} | -0.3 to 1.32 (1.36 max for 667-MHz core frequency) | V | — |
| DDR and DDR2 DRAM I/O voltage | | GV_{DD} | -0.3 to 2.75 -0.3 to 1.98 | V | — |
| Three-speed Ethernet I/O, MII management voltage | | LV_{DD} | -0.3 to 3.63 | V | — |
| PCI, local bus, DUART, system control and power management, I ² C, and JTAG I/O voltage | | OV_{DD} | -0.3 to 3.63 | V | — |
| Input voltage | DDR DRAM signals | MV_{IN} | -0.3 to ($GV_{DD} + 0.3$) | V | 2, 5 |
| | DDR DRAM reference | MV_{REF} | -0.3 to ($GV_{DD} + 0.3$) | V | 2, 5 |
| | Three-speed Ethernet signals | LV_{IN} | -0.3 to ($LV_{DD} + 0.3$) | V | 4, 5 |
| | Local bus, DUART, CLKIN, system control and power management, I ² C, and JTAG signals | OV_{IN} | -0.3 to ($OV_{DD} + 0.3$) | V | 3, 5 |
| | PCI | OV_{IN} | -0.3 to ($OV_{DD} + 0.3$) | V | 6 |
| Storage temperature range | | T_{STG} | -55 to 150 | °C | — |

Notes:

- ¹ Functional and tested operating conditions are given in Table 2. Absolute maximum ratings are stress ratings only, and functional operation at the maximums is not guaranteed. Stresses beyond those listed may affect device reliability or cause permanent damage to the device.
- ² **Caution:** MV_{IN} must not exceed GV_{DD} by more than 0.3 V. This limit can be exceeded for a maximum of 20 ms during power-on reset and power-down sequences.
- ³ **Caution:** OV_{IN} must not exceed OV_{DD} by more than 0.3 V. This limit can be exceeded for a maximum of 20 ms during power-on reset and power-down sequences.
- ⁴ **Caution:** LV_{IN} must not exceed LV_{DD} by more than 0.3 V. This limit can be exceeded for a maximum of 20 ms during power-on reset and power-down sequences.
- ⁵ (M,L,O) V_{IN} and MV_{REF} may overshoot/undershoot to a voltage and for a maximum duration as shown in Figure 2.
- ⁶ OV_{IN} on the PCI interface can overshoot/undershoot according to the PCI Electrical Specification for 3.3-V operation, as shown in Figure 3.

2.1.2 Power Supply Voltage Specification

Table 2 provides the recommended operating conditions for the MPC8349EA. Note that the values in Table 2 are the recommended and tested operating conditions. Proper device operation outside these conditions is not guaranteed.

Table 2. Recommended Operating Conditions

| Parameter | Symbol | Recommended Value | Unit | Notes |
|--|------------|--|------|-------|
| Core supply voltage for 667-MHz core frequency | V_{DD} | 1.3 V \pm 60 mV | V | 1 |
| Core supply voltage | V_{DD} | 1.2 V \pm 60 mV | V | 1 |
| PLL supply voltage for 667-MHz core frequency | AV_{DD} | 1.3 V \pm 60 mV | V | 1 |
| PLL supply voltage | AV_{DD} | 1.2 V \pm 60 mV | V | 1 |
| DDR and DDR2 DRAM I/O voltage | GV_{DD} | 2.5 V \pm 125 mV 1.8 V \pm 90 mV | V | — |
| Three-speed Ethernet I/O supply voltage | LV_{DD1} | 3.3 V \pm 330 mV 2.5 V \pm 125 mV | V | — |
| Three-speed Ethernet I/O supply voltage | LV_{DD2} | 3.3 V \pm 330 mV 2.5 V \pm 125 mV | V | — |
| PCI, local bus, DUART, system control and power management, I ² C, and JTAG I/O voltage | OV_{DD} | 3.3 V \pm 330 mV | V | — |

Note:

¹ GV_{DD} , LV_{DD} , OV_{DD} , AV_{DD} , and V_{DD} must track each other and must vary in the same direction—either in the positive or negative direction.

Figure 2 shows the undershoot and overshoot voltages at the interfaces of the MPC8349EA.

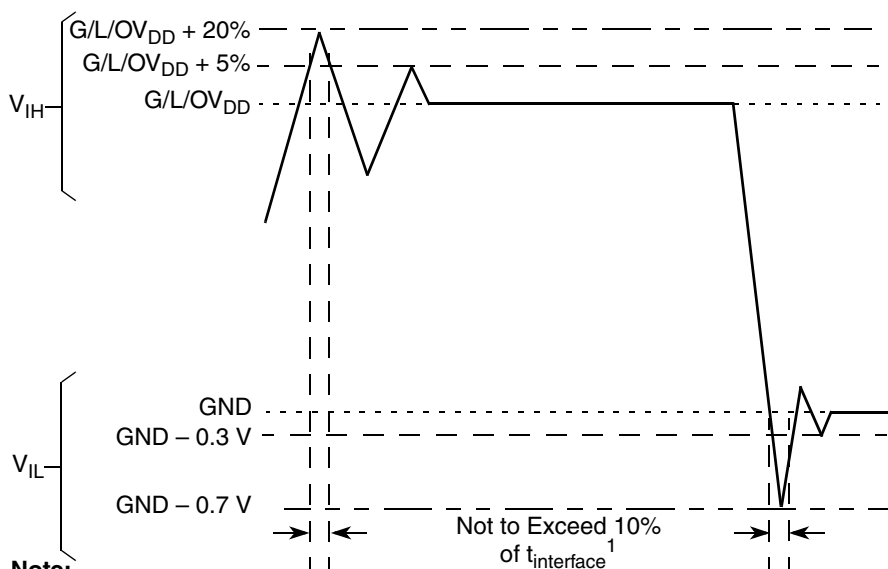


Figure 2. Overshoot/Undershoot Voltage for $GV_{DD}/OV_{DD}/LV_{DD}$

Figure 3 shows the undershoot and overshoot voltage of the PCI interface of the MPC8349EA for the 3.3-V signals, respectively.

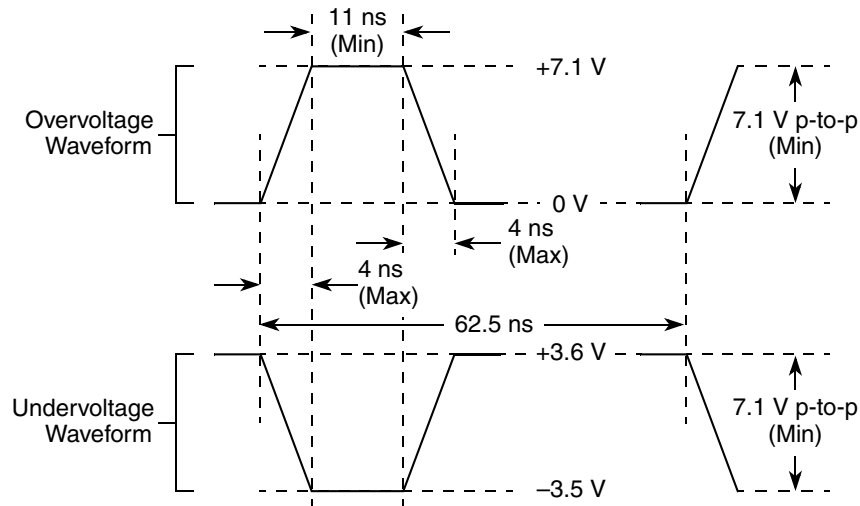


Figure 3. Maximum AC Waveforms on PCI Interface for 3.3-V Signaling

2.1.3 Output Driver Characteristics

Table 3 provides information on the characteristics of the output driver strengths. The values are preliminary estimates.

Table 3. Output Drive Capability

| Driver Type | Output Impedance (Ω) | Supply Voltage |
|--|-------------------------------|--|
| Local bus interface utilities signals | 40 | $OV_{DD} = 3.3\text{ V}$ |
| PCI signals (not including PCI output clocks) | 25 | |
| PCI output clocks (including PCI_SYNC_OUT) | 40 | |
| DDR signal | 18 | $GV_{DD} = 2.5\text{ V}$ |
| DDR2 signal | 18 36 (half-strength mode) | $GV_{DD} = 1.8\text{ V}$ |
| TSEC/10/100 signals | 40 | $LV_{DD} = 2.5/3.3\text{ V}$ |
| DUART, system control, I ² C, JTAG, USB | 40 | $OV_{DD} = 3.3\text{ V}$ |
| GPIO signals | 40 | $OV_{DD} = 3.3\text{ V}$, $LV_{DD} = 2.5/3.3\text{ V}$ |

2.2 Power Sequencing

This section details the power sequencing considerations for the MPC8349EA.

2.2.1 Power-Up Sequencing

MPC8349EA does not require the core supply voltage (V_{DD} and AV_{DD}) and I/O supply voltages (GV_{DD} , LV_{DD} , and OV_{DD}) to be applied in any particular order. During the power ramp up, before the power

supplies are stable and if the I/O voltages are supplied before the core voltage, there may be a period of time that all input and output pins will actively be driven and cause contention and excessive current from 3A to 5A. In order to avoid actively driving the I/O pins and to eliminate excessive current draw, apply the core voltage (V_{DD}) before the I/O voltage (GV_{DD} , LV_{DD} , and OV_{DD}) and assert $\overline{PORESET}$ before the power supplies fully ramp up. In the case where the core voltage is applied first, the core voltage supply must rise to 90% of its nominal value before the I/O supplies reach 0.7 V, see Figure 4.

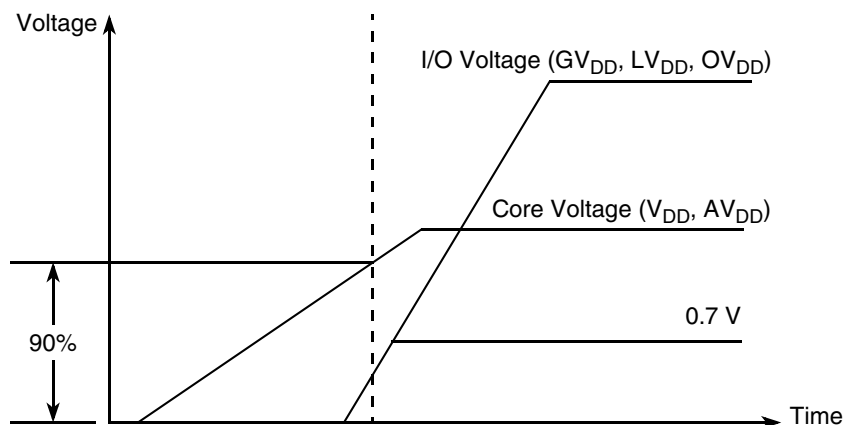


Figure 4. Power Sequencing Example

I/O voltage supplies (GV_{DD} , LV_{DD} , and OV_{DD}) do not have any ordering requirements with respect to one another.

3 Power Characteristics

The estimated typical power dissipation for the MPC8349EA device is shown in Table 4.

Table 4. MPC8349EA Power Dissipation¹

| | Core Frequency (MHz) | CSB Frequency (MHz) | Typical at $T_J = 65$ | Typical ^{2, 3} | Maximum ⁴ | Unit |
|---------------------|----------------------|---------------------|-----------------------|-------------------------|----------------------|------|
| TBGA | 333 | 333 | 2.0 | 3.0 | 3.2 | W |
| | | 166 | 1.8 | 2.8 | 2.9 | W |
| | 400 | 266 | 2.1 | 3.0 | 3.3 | W |
| | | 133 | 1.9 | 2.9 | 3.1 | W |
| | 450 | 300 | 2.3 | 3.2 | 3.5 | W |
| | | 150 | 2.1 | 3.0 | 3.2 | W |
| | 500 | 333 | 2.4 | 3.3 | 3.6 | W |
| | | 166 | 2.2 | 3.1 | 3.4 | W |
| | 533 | 266 | 2.4 | 3.3 | 3.6 | W |
| | | 133 | 2.2 | 3.1 | 3.4 | W |
| 667 ^{5, 6} | 333 | 3.5 | 4.6 | 5 | W | |

¹ The values do not include I/O supply power (OV_{DD} , LV_{DD} , GV_{DD}) or AV_{DD} . For I/O power values, see Table 5.

- ² Typical power is based on a voltage of $V_{DD} = 1.2\text{ V}$, a junction temperature of $T_J = 105^\circ\text{C}$, and a Dhrystone benchmark application.
- ³ Thermal solutions may need to design to a value higher than typical power based on the end application, T_A target, and I/O power.
- ⁴ Maximum power is based on a voltage of $V_{DD} = 1.2\text{ V}$, worst case process, a junction temperature of $T_J = 105^\circ\text{C}$, and an artificial smoke test.
- ⁵ Typical power is based on a voltage of $V_{DD} = 1.3\text{ V}$, a junction temperature of $T_J = 105^\circ\text{C}$, and a Dhrystone benchmark application.
- ⁶ Maximum power is based on a voltage of $V_{DD} = 1.3\text{ V}$, worst case process, a junction temperature of $T_J = 105^\circ\text{C}$, and an artificial smoke test.

Table 5 shows the estimated typical I/O power dissipation for MPC8349EA.

Table 5. MPC8349EA Typical I/O Power Dissipation

| Interface | Parameter | GV_{DD} (1.8 V) | GV_{DD} (2.5 V) | OV_{DD} (3.3 V) | LV_{DD} (3.3 V) | LV_{DD} (2.5 V) | Unit | Comments |
|---|------------------|----------------------|----------------------|----------------------|----------------------|----------------------|------|--|
| DDR I/O 65% utilization 2.5 V $R_s = 20\ \Omega$ $R_t = 50\ \Omega$ 2 pair of clocks | 200 MHz, 32 bits | 0.31 | 0.42 | — | — | — | W | — |
| | 200 MHz, 64 bits | 0.42 | 0.55 | — | — | — | W | — |
| | 266 MHz, 32 bits | 0.35 | 0.5 | — | — | — | W | — |
| | 266 MHz, 64 bits | 0.47 | 0.66 | — | — | — | W | — |
| | 300 MHz, 32 bits | 0.37 | 0.54 | — | — | — | W | — |
| | 300 MHz, 64 bits | 0.50 | 0.7 | — | — | — | W | — |
| | 333 MHz, 32 bits | 0.39 | 0.58 | — | — | — | W | — |
| | 333 MHz, 64 bits | 0.53 | 0.76 | — | — | — | W | — |
| | 400 MHz, 32 bits | 0.44 | — | — | — | — | — | — |
| | 400 MHz, 64 bits | 0.59 | — | — | — | — | — | — |
| PCI I/O load = 30 pF | 33 MHz, 64 bits | — | — | 0.08 | — | — | W | — |
| | 66 MHz, 64 bits | — | — | 0.14 | — | — | W | — |
| | 33 MHz, 32 bits | — | — | 0.04 | — | — | W | Multiply by 2 if using 2 ports. |
| | 66 MHz, 32 bits | — | — | 0.07 | — | — | W | |
| Local bus I/O load = 25 pF | 133 MHz, 32 bits | — | — | 0.27 | — | — | W | — |
| | 83 MHz, 32 bits | — | — | 0.17 | — | — | W | — |
| | 66 MHz, 32 bits | — | — | 0.14 | — | — | W | — |
| | 50 MHz, 32 bits | — | — | 0.11 | — | — | W | — |
| TSEC I/O load = 25 pF | MII | — | — | — | 0.01 | — | W | Multiply by number of interfaces used. |
| | GMII or TBI | — | — | — | 0.06 | — | W | |
| | RGMII or RTBI | — | — | — | — | 0.04 | W | |
| USB | 12 MHz | — | — | 0.01 | — | — | W | Multiply by 2 if using 2 ports. |
| | 480 MHz | — | — | 0.2 | — | — | W | |
| Other I/O | — | — | — | 0.01 | — | — | W | — |

4 Clock Input Timing

This section provides the clock input DC and AC electrical characteristics for the device.

4.1 DC Electrical Characteristics

Table 6 provides the clock input (CLKIN/PCI_SYNC_IN) DC timing specifications for the MPC8349EA.

Table 6. CLKIN DC Timing Specifications

| Parameter | Condition | Symbol | Min | Max | Unit |
|---------------------------|---|----------|------|-----------------|---------|
| Input high voltage | — | V_{IH} | 2.7 | $OV_{DD} + 0.3$ | V |
| Input low voltage | — | V_{IL} | -0.3 | 0.4 | V |
| CLKIN input current | $0 V \leq V_{IN} \leq OV_{DD}$ | I_{IN} | — | ± 10 | μA |
| PCI_SYNC_IN input current | $0 V \leq V_{IN} \leq 0.5 V$ or $OV_{DD} - 0.5 V \leq V_{IN} \leq OV_{DD}$ | I_{IN} | — | ± 10 | μA |
| PCI_SYNC_IN input current | $0.5 V \leq V_{IN} \leq OV_{DD} - 0.5 V$ | I_{IN} | — | ± 50 | μA |

4.2 AC Electrical Characteristics

The primary clock source for the MPC8349EA can be one of two inputs, CLKIN or PCI_CLK, depending on whether the device is configured in PCI host or PCI agent mode. Table 7 provides the clock input (CLKIN/PCI_CLK) AC timing specifications for the device.

Table 7. CLKIN AC Timing Specifications

| Parameter/Condition | Symbol | Min | Typical | Max | Unit | Notes |
|----------------------------------|---------------------|-----|---------|-----------|------|-------|
| CLKIN/PCI_CLK frequency | f_{CLKIN} | — | — | 66 | MHz | 1, 6 |
| CLKIN/PCI_CLK cycle time | t_{CLKIN} | 15 | — | — | ns | — |
| CLKIN/PCI_CLK rise and fall time | t_{KH}, t_{KL} | 0.6 | 1.0 | 2.3 | ns | 2 |
| CLKIN/PCI_CLK duty cycle | t_{KHK}/t_{CLKIN} | 40 | — | 60 | % | 3 |
| CLKIN/PCI_CLK jitter | — | — | — | ± 150 | ps | 4, 5 |

Notes:

- Caution:** The system, core, USB, security, and TSEC must not exceed their respective maximum or minimum operating frequencies.
- Rise and fall times for CLKIN/PCI_CLK are measured at 0.4 and 2.7 V.
- Timing is guaranteed by design and characterization.
- This represents the total input jitter—short term and long term—and is guaranteed by design.
- The CLKIN/PCI_CLK driver's closed loop jitter bandwidth should be < 500 kHz at -20 dB. The bandwidth must be set low to allow cascade-connected PLL-based devices to track CLKIN drivers with the specified jitter.
- Spread spectrum clocking is allowed with 1% input frequency down-spread at maximum 50 KHz modulation rate regardless of input frequency.

4.3 TSEC Gigabit Reference Clock Timing

Table 8 provides the TSEC gigabit reference clocks (EC_GTX_CLK125) AC timing specifications.

Table 8. EC_GTX_CLK125 AC Timing Specifications

At recommended operating conditions with $V_{DD} = 2.5 \pm 0.125$ mV/ $3.3 \text{ V} \pm 165$ mV

| Parameter | Symbol | Min | Typical | Max | Unit | Notes |
|--|-----------------------|----------|---------|-------------|------|-------|
| EC_GTX_CLK125 frequency | t_{G125} | — | 125 | — | MHz | — |
| EC_GTX_CLK125 cycle time | t_{G125} | — | 8 | — | ns | — |
| EC_GTX_CLK125 rise and fall time LV _{DD} = 2.5 V LV _{DD} = 3.3 V | t_{G125R}/t_{G125F} | — | — | 0.75 1.0 | ns | 1 |
| EC_GTX_CLK125 duty cycle GMII, TBI 1000Base-T for RGMII, RTBI | t_{G125H}/t_{G125L} | 45 47 | — | 55 53 | % | 2 |
| EC_GTX_CLK125 jitter | — | — | — | ±150 | ps | 2 |

Notes:

- Rise and fall times for EC_GTX_CLK125 are measured from 0.5 and 2.0 V for $V_{DD} = 2.5$ V and from 0.6 and 2.7 V for $V_{DD} = 3.3$ V.
- EC_GTX_CLK125 is used to generate the GTX clock for the eTSEC transmitter with 2% degradation. The EC_GTX_CLK125 duty cycle can be loosened from 47%/53% as long as the PHY device can tolerate the duty cycle generated by the eTSEC GTX_CLK. See Section 8.2.4, “RGMII and RTBI AC Timing Specifications” for the duty cycle for 10Base-T and 100Base-T reference clock.

5 RESET Initialization

This section describes the DC and AC electrical specifications for the reset initialization timing and electrical requirements of the MPC8349EA.

5.1 RESET DC Electrical Characteristics

Table 9 provides the DC electrical characteristics for the RESET pins of the MPC8349EA.

Table 9. RESET Pins DC Electrical Characteristics¹

| Parameter | Symbol | Condition | Min | Max | Unit |
|----------------------------------|----------|--------------------|------|-----------------|------|
| Input high voltage | V_{IH} | — | 2.0 | $OV_{DD} + 0.3$ | V |
| Input low voltage | V_{IL} | — | -0.3 | 0.8 | V |
| Input current | I_{IN} | — | — | ±5 | μA |
| Output high voltage ² | V_{OH} | $I_{OH} = -8.0$ mA | 2.4 | — | V |
| Output low voltage | V_{OL} | $I_{OL} = 8.0$ mA | — | 0.5 | V |

Table 9. RESET Pins DC Electrical Characteristics¹ (continued)

| Parameter | Symbol | Condition | Min | Max | Unit |
|--------------------|----------|---------------------------|-----|-----|------|
| Output low voltage | V_{OL} | $I_{OL} = 3.2 \text{ mA}$ | — | 0.4 | V |

Notes:

1. This table applies for pins $\overline{\text{PORESET}}$, $\overline{\text{HRESET}}$, $\overline{\text{SRESET}}$, and $\overline{\text{QUIESCE}}$.
2. $\overline{\text{HRESET}}$ and $\overline{\text{SRESET}}$ are open drain pins, thus V_{OH} is not relevant for those pins.

5.2 RESET AC Electrical Characteristics

Table 10 provides the reset initialization AC timing specifications of the MPC8349EA.

Table 10. RESET Initialization Timing Specifications

| Parameter | Min | Max | Unit | Notes |
|--|-----|-----|----------------------------|-------|
| Required assertion time of $\overline{\text{HRESET}}$ or $\overline{\text{SRESET}}$ (input) to activate reset flow | 32 | — | $t_{\text{PCI_SYNC_IN}}$ | 1 |
| Required assertion time of $\overline{\text{PORESET}}$ with stable clock applied to CLKIN when the MPC8349EA is in PCI host mode | 32 | — | t_{CLKIN} | 2 |
| Required assertion time of $\overline{\text{PORESET}}$ with stable clock applied to PCI_SYNC_IN when the MPC8349EA is in PCI agent mode | 32 | — | $t_{\text{PCI_SYNC_IN}}$ | 1 |
| $\overline{\text{HRESET}}/\overline{\text{SRESET}}$ assertion (output) | 512 | — | $t_{\text{PCI_SYNC_IN}}$ | 1 |
| $\overline{\text{HRESET}}$ negation to $\overline{\text{SRESET}}$ negation (output) | 16 | — | $t_{\text{PCI_SYNC_IN}}$ | 1 |
| Input setup time for POR configuration signals (CFG_RESET_SOURCE[0:2] and CFG_CLKIN_DIV) with respect to negation of $\overline{\text{PORESET}}$ when the MPC8349EA is in PCI host mode | 4 | — | t_{CLKIN} | 2 |
| Input setup time for POR configuration signals (CFG_RESET_SOURCE[0:2] and CFG_CLKIN_DIV) with respect to negation of $\overline{\text{PORESET}}$ when the MPC8349EA is in PCI agent mode | 4 | — | $t_{\text{PCI_SYNC_IN}}$ | 1 |
| Input hold time for POR configuration signals with respect to negation of $\overline{\text{HRESET}}$ | 0 | — | ns | — |
| Time for the MPC8349EA to turn off POR configuration signals with respect to the assertion of $\overline{\text{HRESET}}$ | — | 4 | ns | 3 |
| Time for the MPC8349EA to turn on POR configuration signals with respect to the negation of $\overline{\text{HRESET}}$ | 1 | — | $t_{\text{PCI_SYNC_IN}}$ | 1, 3 |

Notes:

1. $t_{\text{PCI_SYNC_IN}}$ is the clock period of the input clock applied to PCI_SYNC_IN. In PCI host mode, the primary clock is applied to the CLKIN input, and PCI_SYNC_IN period depends on the value of CFG_CLKIN_DIV. See the *MPC8349EA PowerQUICC II Pro Integrated Host Processor Family Reference Manual*.
2. t_{CLKIN} is the clock period of the input clock applied to CLKIN. It is valid only in PCI host mode. See the *MPC8349EA PowerQUICC II Pro Integrated Host Processor Family Reference Manual*.
3. POR configuration signals consist of CFG_RESET_SOURCE[0:2] and CFG_CLKIN_DIV.

Table 11 lists the PLL and DLL lock times.

Table 11. PLL and DLL Lock Times

| Parameter/Condition | Min | Max | Unit | Notes |
|---------------------|------|---------|----------------|-------|
| PLL lock times | — | 100 | μs | — |
| DLL lock times | 7680 | 122,880 | csb_clk cycles | 1, 2 |

Notes:

1. DLL lock times are a function of the ratio between the output clock and the coherency system bus clock (csb_clk). A 2:1 ratio results in the minimum and an 8:1 ratio results in the maximum.
2. The csb_clk is determined by the CLKIN and system PLL ratio. See [Section 19, “Clocking.”](#)

6 DDR and DDR2 SDRAM

This section describes the DC and AC electrical specifications for the DDR SDRAM interface of the MPC8349EA. Note that DDR SDRAM is $GV_{DD}(\text{typ}) = 2.5 \text{ V}$ and DDR2 SDRAM is $GV_{DD}(\text{typ}) = 1.8 \text{ V}$. The AC electrical specifications are the same for DDR and DRR2 SDRAM.

NOTE

The information in this document is accurate for revision 3.0 silicon and later. For information on revision 1.1 silicon and earlier versions see the *MPC8349E PowerQUICC II Pro Integrated Host Processor Hardware Specifications*. See [Section 22.1, “Part Numbers Fully Addressed by This Document,”](#) for silicon revision level determination.

6.1 DDR and DDR2 SDRAM DC Electrical Characteristics

Table 12 provides the recommended operating conditions for the DDR2 SDRAM component(s) of the MPC8349EA when $GV_{DD}(\text{typ}) = 1.8 \text{ V}$.

Table 12. DDR2 SDRAM DC Electrical Characteristics for $GV_{DD}(\text{typ}) = 1.8 \text{ V}$

| Parameter/Condition | Symbol | Min | Max | Unit | Notes |
|---|------------|-----------------------|-----------------------|------|-------|
| I/O supply voltage | GV_{DD} | 1.71 | 1.89 | V | 1 |
| I/O reference voltage | MV_{REF} | $0.49 \times GV_{DD}$ | $0.51 \times GV_{DD}$ | V | 2 |
| I/O termination voltage | V_{TT} | $MV_{REF} - 0.04$ | $MV_{REF} + 0.04$ | V | 3 |
| Input high voltage | V_{IH} | $MV_{REF} + 0.125$ | $GV_{DD} + 0.3$ | V | — |
| Input low voltage | V_{IL} | -0.3 | $MV_{REF} - 0.125$ | V | — |
| Output leakage current | I_{OZ} | -9.9 | 9.9 | μA | 4 |
| Output high current ($V_{OUT} = 1.420 \text{ V}$) | I_{OH} | -13.4 | — | mA | — |

Table 12. DDR2 SDRAM DC Electrical Characteristics for $GV_{DD}(typ) = 1.8\text{ V}$ (continued)

| | | | | | |
|---|----------|------|---|----|---|
| Output low current ($V_{OUT} = 0.280\text{ V}$) | I_{OL} | 13.4 | — | mA | — |
|---|----------|------|---|----|---|

Notes:

- GV_{DD} is expected to be within 50 mV of the DRAM GV_{DD} at all times.
- MV_{REF} is expected to equal $0.5 \times GV_{DD}$, and to track GV_{DD} DC variations as measured at the receiver. Peak-to-peak noise on MV_{REF} cannot exceed $\pm 2\%$ of the DC value.
- V_{TT} is not applied directly to the device. It is the supply to which far end signal termination is made and is expected to equal MV_{REF} . This rail should track variations in the DC level of MV_{REF} .
- Output leakage is measured with all outputs disabled, $0\text{ V} \leq V_{OUT} \leq GV_{DD}$.

Table 13 provides the DDR2 capacitance when $GV_{DD}(typ) = 1.8\text{ V}$.

Table 13. DDR2 SDRAM Capacitance for $GV_{DD}(typ) = 1.8\text{ V}$

| Parameter/Condition | Symbol | Min | Max | Unit | Notes |
|---|-----------|-----|-----|------|-------|
| Input/output capacitance: DQ, DQS, \overline{DQS} | C_{IO} | 6 | 8 | pF | 1 |
| Delta input/output capacitance: DQ, DQS, \overline{DQS} | C_{DIO} | — | 0.5 | pF | 1 |

Note:

- This parameter is sampled. $GV_{DD} = 1.8\text{ V} \pm 0.090\text{ V}$, $f = 1\text{ MHz}$, $T_A = 25^\circ\text{C}$, $V_{OUT} = GV_{DD}/2$, V_{OUT} (peak-to-peak) = 0.2 V.

Table 14 provides the recommended operating conditions for the DDR SDRAM component(s) when $GV_{DD}(typ) = 2.5\text{ V}$.

Table 14. DDR SDRAM DC Electrical Characteristics for $GV_{DD}(typ) = 2.5\text{ V}$

| Parameter/Condition | Symbol | Min | Max | Unit | Notes |
|---|------------|-----------------------|-----------------------|---------------|-------|
| I/O supply voltage | GV_{DD} | 2.375 | 2.625 | V | 1 |
| I/O reference voltage | MV_{REF} | $0.49 \times GV_{DD}$ | $0.51 \times GV_{DD}$ | V | 2 |
| I/O termination voltage | V_{TT} | $MV_{REF} - 0.04$ | $MV_{REF} + 0.04$ | V | 3 |
| Input high voltage | V_{IH} | $MV_{REF} + 0.18$ | $GV_{DD} + 0.3$ | V | — |
| Input low voltage | V_{IL} | -0.3 | $MV_{REF} - 0.18$ | V | — |
| Output leakage current | I_{OZ} | -9.9 | -9.9 | μA | 4 |
| Output high current ($V_{OUT} = 1.95\text{ V}$) | I_{OH} | -15.2 | — | mA | — |
| Output low current ($V_{OUT} = 0.35\text{ V}$) | I_{OL} | 15.2 | — | mA | — |

Notes:

- GV_{DD} is expected to be within 50 mV of the DRAM GV_{DD} at all times.
- MV_{REF} is expected to be equal to $0.5 \times GV_{DD}$, and to track GV_{DD} DC variations as measured at the receiver. Peak-to-peak noise on MV_{REF} may not exceed $\pm 2\%$ of the DC value.
- V_{TT} is not applied directly to the device. It is the supply to which far end signal termination is made and is expected to be equal to MV_{REF} . This rail should track variations in the DC level of MV_{REF} .
- Output leakage is measured with all outputs disabled, $0\text{ V} \leq V_{OUT} \leq GV_{DD}$.

Table 15 provides the DDR capacitance when $GV_{DD}(\text{typ}) = 2.5 \text{ V}$.

Table 15. DDR SDRAM Capacitance for $GV_{DD}(\text{typ}) = 2.5 \text{ V}$

| Parameter/Condition | Symbol | Min | Max | Unit | Notes |
|---|-----------|-----|-----|------|-------|
| Input/output capacitance: DQ, DQS | C_{IO} | 6 | 8 | pF | 1 |
| Delta input/output capacitance: DQ, DQS | C_{DIO} | — | 0.5 | pF | 1 |

Note:

1. This parameter is sampled. $GV_{DD} = 2.5 \text{ V} \pm 0.125 \text{ V}$, $f = 1 \text{ MHz}$, $T_A = 25^\circ\text{C}$, $V_{OUT} = GV_{DD}/2$, V_{OUT} (peak-to-peak) = 0.2 V.

Table 16 provides the current draw characteristics for MV_{REF} .

Table 16. Current Draw Characteristics for MV_{REF}

| Parameter/Condition | Symbol | Min | Max | Unit | Note |
|-----------------------------|-------------|-----|-----|---------------|------|
| Current draw for MV_{REF} | I_{MVREF} | — | 500 | μA | 1 |

Note:

1. The voltage regulator for MV_{REF} must supply up to 500 μA current.

6.2 DDR and DDR2 SDRAM AC Electrical Characteristics

This section provides the AC electrical characteristics for the DDR and DDR2 SDRAM interface.

6.2.1 DDR and DDR2 SDRAM Input AC Timing Specifications

Table 17 provides the input AC timing specifications for the DDR2 SDRAM when $GV_{DD}(\text{typ}) = 1.8 \text{ V}$.

Table 17. DDR2 SDRAM Input AC Timing Specifications for 1.8-V Interface

At recommended operating conditions with GV_{DD} of $1.8 \pm 5\%$.

| Parameter | Symbol | Min | Max | Unit | Notes |
|-----------------------|----------|-------------------|-------------------|------|-------|
| AC input low voltage | V_{IL} | — | $MV_{REF} - 0.25$ | V | — |
| AC input high voltage | V_{IH} | $MV_{REF} + 0.25$ | — | V | — |

Table 18 provides the input AC timing specifications for the DDR SDRAM when $GV_{DD}(\text{typ}) = 2.5 \text{ V}$.

Table 18. DDR SDRAM Input AC Timing Specifications for 2.5-V Interface

At recommended operating conditions with GV_{DD} of $2.5 \pm 5\%$.

| Parameter | Symbol | Min | Max | Unit | Notes |
|-----------------------|----------|-------------------|-------------------|------|-------|
| AC input low voltage | V_{IL} | — | $MV_{REF} - 0.31$ | V | — |
| AC input high voltage | V_{IH} | $MV_{REF} + 0.31$ | — | V | — |

Table 19 provides the input AC timing specifications for the DDR SDRAM interface.

Table 19. DDR and DDR2 SDRAM Input AC Timing Specifications

At recommended operating conditions with GV_{DD} of $(1.8 \text{ or } 2.5 \text{ V}) \pm 5\%$.

| Parameter | Symbol | Min | Max | Unit | Notes |
|---------------------------------------|--------------|------|-----|------|-------|
| Controller Skew for MDQS—MDQ/MECC/MDM | t_{CISKEW} | | | ps | 1, 2 |
| 400 MHz | | -600 | 600 | | 3 |
| 333 MHz | | -750 | 750 | | — |
| 266 MHz | | -750 | 750 | | — |
| 200 MHz | | -750 | 750 | | — |

Notes:

- t_{CISKEW} represents the total amount of skew consumed by the controller between MDQS[n] and any corresponding bit that will be captured with MDQS[n]. This should be subtracted from the total timing budget.
- The amount of skew that can be tolerated from MDQS to a corresponding MDQ signal is called t_{DISKEW} . This can be determined by the equation: $t_{DISKEW} = \pm (T/4 - \text{abs}(t_{CISKEW}))$; where T is the clock period and $\text{abs}(t_{CISKEW})$ is the absolute value of t_{CISKEW} .
- This specification applies only to the DDR interface.

Figure 5 illustrates the DDR input timing diagram showing the t_{DISKEW} timing parameter.

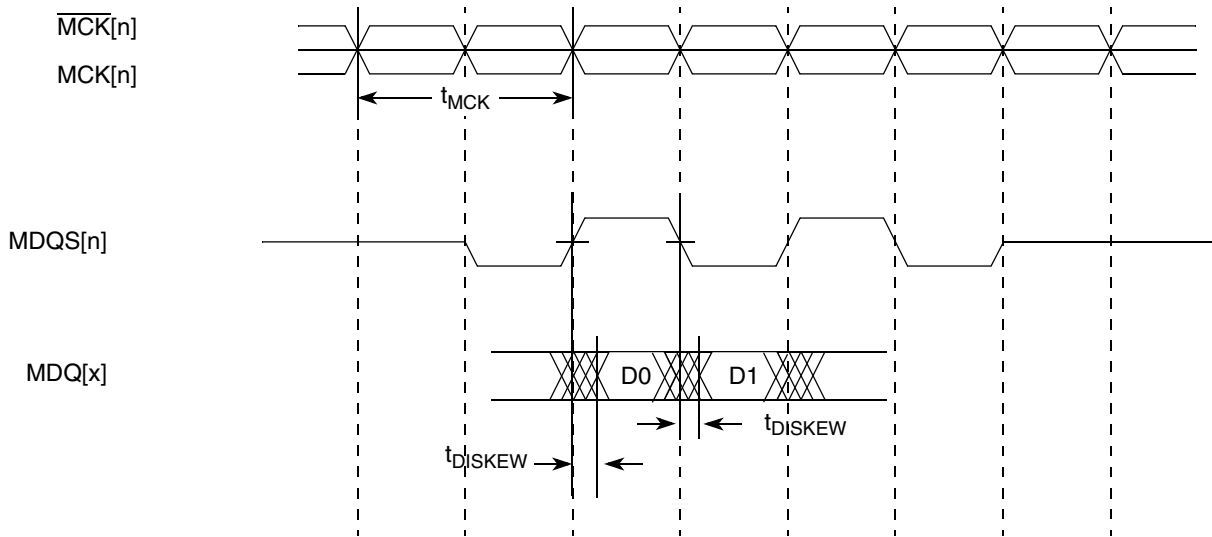


Figure 5. DDR Input Timing Diagram

6.2.2 DDR and DDR2 SDRAM Output AC Timing Specifications

Table 20 shows the DDR and DDR2 output AC timing specifications.

Table 20. DDR and DDR2 SDRAM Output AC Timing Specifications

At recommended operating conditions with GV_{DD} of $(1.8 \text{ or } 2.5 \text{ V}) \pm 5\%$.

| Parameter | Symbol ¹ | Min | Max | Unit | Notes |
|--|--------------------------------|------------------------------|-----------------------------|------|-------|
| ADDR/CMD/MODT output setup with respect to MCK 400 MHz 333 MHz 266 MHz 200 MHz | t_{DDKHAS} | 1.95 2.40 3.15 4.20 | — — — — | ns | 3 |
| ADDR/CMD/MODT output hold with respect to MCK 400 MHz 333 MHz 266 MHz 200 MHz | t_{DDKHAX} | 1.95 2.40 3.15 4.20 | — — — — | ns | 3 |
| $\overline{MCS}(n)$ output setup with respect to MCK 400 MHz 333 MHz 266 MHz 200 MHz | t_{DDKHCS} | 1.95 2.40 3.15 4.20 | — — — — | ns | 3 |
| $\overline{MCS}(n)$ output hold with respect to MCK 400 MHz 333 MHz 266 MHz 200 MHz | t_{DDKHXC} | 1.95 2.40 3.15 4.20 | — — — — | ns | 3 |
| MCK to MDQS Skew | t_{DDKMHM} | -0.6 | 0.6 | ns | 4 |
| MDQ/MECC/MDM output setup with respect to MDQS 400 MHz 333 MHz 266 MHz 200 MHz | t_{DDKHDS} , t_{DDKLDS} | 700 775 1100 1200 | — — — — | ps | 5 |
| MDQ/MECC/MDM output hold with respect to MDQS 400 MHz 333 MHz 266 MHz 200 MHz | t_{DDKHDX} , t_{DDKLDX} | 700 900 1100 1200 | — — — — | ps | 5 |
| MDQS preamble start | t_{DDKHMP} | $-0.5 \times t_{MCK} - 0.6$ | $-0.5 \times t_{MCK} + 0.6$ | ns | 6 |

Table 20. DDR and DDR2 SDRAM Output AC Timing Specifications (continued)

At recommended operating conditions with GV_{DD} of $(1.8 \text{ or } 2.5 \text{ V}) \pm 5\%$.

| Parameter | Symbol ¹ | Min | Max | Unit | Notes |
|-------------------|---------------------|------|-----|------|-------|
| MDQS epilogue end | t_{DDKHME} | -0.6 | 0.6 | ns | 6 |

Notes:

- The symbols for timing specifications follow the pattern of $t_{(\text{first two letters of functional block})(\text{signal})(\text{state})(\text{reference})(\text{state})}$ for inputs and $t_{(\text{first two letters of functional block})(\text{reference})(\text{state})(\text{signal})(\text{state})}$ for outputs. Output hold time can be read as DDR timing (DD) from the rising or falling edge of the reference clock (KH or KL) until the output goes invalid (AX or DX). For example, t_{DDKHAS} symbolizes DDR timing (DD) for the time t_{MCK} memory clock reference (K) goes from the high (H) state until outputs (A) are set up (S) or output valid time. Also, t_{DDKLDX} symbolizes DDR timing (DD) for the time t_{MCK} memory clock reference (K) goes low (L) until data outputs (D) are invalid (X) or data output hold time.
- All MCK/ \overline{MCK} referenced measurements are made from the crossing of the two signals $\pm 0.1 \text{ V}$.
- ADDR/CMD includes all DDR SDRAM output signals except MCK/ \overline{MCK} , \overline{MCS} , and MDQ/MECC/MDM/MDQS. For the ADDR/CMD setup and hold specifications, it is assumed that the clock control register is set to adjust the memory clocks by 1/2 applied cycle.
- t_{DDKHMH} follows the symbol conventions described in note 1. For example, t_{DDKHMH} describes the DDR timing (DD) from the rising edge of the MCK(n) clock (KH) until the MDQS signal is valid (MH). t_{DDKHMH} can be modified through control of the DQSS override bits in the TIMING_CFG_2 register and is typically set to the same delay as the clock adjust in the CLK_CNTL register. The timing parameters listed in the table assume that these two parameters are set to the same adjustment value. See the *MPC8349EA PowerQUICC II Pro Integrated Host Processor Family Reference Manual* for the timing modifications enabled by use of these bits.
- Determined by maximum possible skew between a data strobe (MDQS) and any corresponding bit of data (MDQ), ECC (MECC), or data mask (MDM). The data strobe should be centered inside the data eye at the pins of the microprocessor.
- All outputs are referenced to the rising edge of MCK(n) at the pins of the microprocessor. Note that t_{DDKHMP} follows the symbol conventions described in note 1.

Figure 6 shows the DDR SDRAM output timing for the MCK to MDQS skew measurement (t_{DDKHMH}).

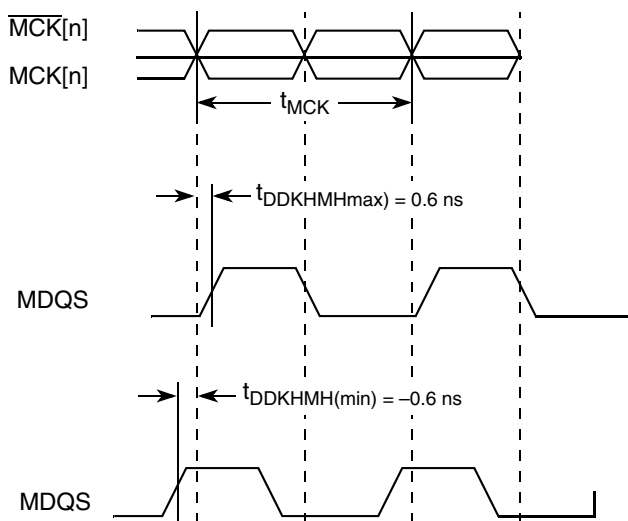


Figure 6. Timing Diagram for t_{DDKHMH}

Figure 7 shows the DDR SDRAM output timing diagram.

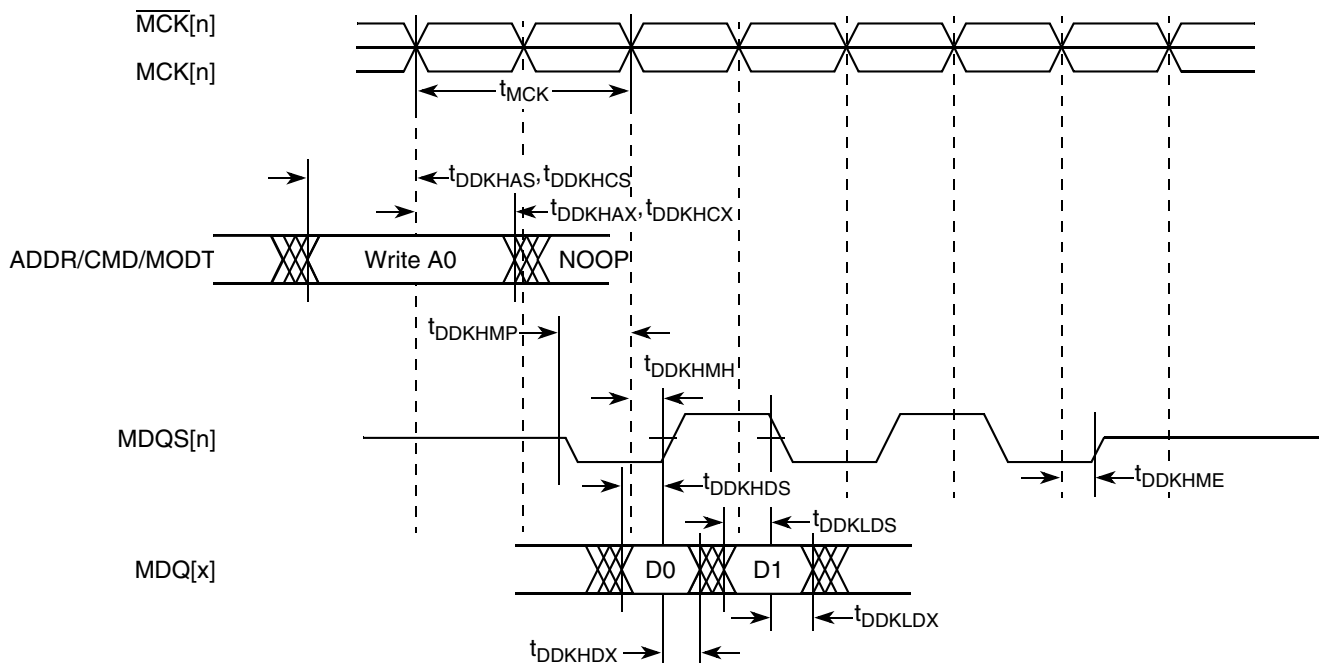


Figure 7. DDR SDRAM Output Timing Diagram

Figure 8 provides the AC test load for the DDR bus.

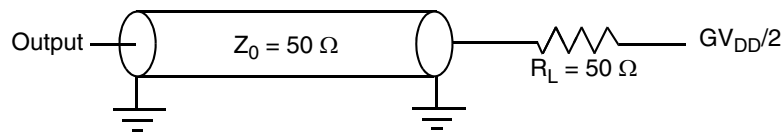


Figure 8. DDR AC Test Load

7 DUART

This section describes the DC and AC electrical specifications for the DUART interface of the MPC8349EA.

7.1 DUART DC Electrical Characteristics

Table 21 provides the DC electrical characteristics for the DUART interface of the MPC8349EA.

Table 21. DUART DC Electrical Characteristics

| Parameter | Symbol | Min | Max | Unit |
|--|----------|------|-----------------|---------------|
| High-level input voltage | V_{IH} | 2 | $OV_{DD} + 0.3$ | V |
| Low-level input voltage | V_{IL} | -0.3 | 0.8 | V |
| Input current ($0.8\text{ V} \leq V_{IN} \leq 2\text{ V}$) | I_{IN} | — | ± 5 | μA |

Table 21. DUART DC Electrical Characteristics (continued)

| Parameter | Symbol | Min | Max | Unit |
|--|----------|-----------------|-----|------|
| High-level output voltage, $I_{OH} = -100 \mu\text{A}$ | V_{OH} | $OV_{DD} - 0.2$ | — | V |
| Low-level output voltage, $I_{OL} = 100 \mu\text{A}$ | V_{OL} | — | 0.2 | V |

7.2 DUART AC Electrical Specifications

Table 22 provides the AC timing parameters for the DUART interface of the MPC8349EA.

Table 22. DUART AC Timing Specifications

| Parameter | Value | Unit | Notes |
|-------------------|-------------|------|-------|
| Minimum baud rate | 256 | baud | — |
| Maximum baud rate | > 1,000,000 | baud | 1 |
| Oversample rate | 16 | — | 2 |

Notes:

- Actual attainable baud rate will be limited by the latency of interrupt processing.
- The middle of a start bit is detected as the 8th sampled 0 after the 1-to-0 transition of the start bit. Subsequent bit values are sampled each 16th sample.

8 Ethernet: Three-Speed Ethernet, MII Management

This section provides the AC and DC electrical characteristics for three-speeds (10/100/1000 Mbps) and MII management.

8.1 Three-Speed Ethernet Controller (TSEC)—GMII/MII/TBI/RGMII/RTBI Electrical Characteristics

The electrical characteristics specified here apply to gigabit media independent interface (GMII), the media independent interface (MII), ten-bit interface (TBI), reduced gigabit media independent interface (RGMII), and reduced ten-bit interface (RTBI) signals except management data input/output (MDIO) and management data clock (MDC). The MII, GMII, and TBI interfaces are defined for 3.3 V, and the RGMII and RTBI interfaces are defined for 2.5 V. The RGMII and RTBI interfaces follow the Hewlett-Packard *Reduced Pin-Count Interface for Gigabit Ethernet Physical Layer Device Specification*, Version 1.2a (9/22/2000). The electrical characteristics for MDIO and MDC are specified in [Section 8.3, “Ethernet Management Interface Electrical Characteristics.”](#)

8.1.1 TSEC DC Electrical Characteristics

GMII, MII, TBI, RGMII, and RTBI drivers and receivers comply with the DC parametric attributes specified in Table 23 and Table 24. The RGMII and RTBI signals in Table 24 are based on a 2.5-V CMOS interface voltage as defined by JEDEC EIA/JESD8-5.

Table 23. GMII/TBI and MII DC Electrical Characteristics

| Parameter | Symbol | Conditions | | Min | Max | Unit |
|----------------------|-------------|----------------------------|------------------------|------|-----------------|---------------|
| Supply voltage 3.3 V | LV_{DD}^2 | — | | 2.97 | 3.63 | V |
| Output high voltage | V_{OH} | $I_{OH} = -4.0 \text{ mA}$ | $LV_{DD} = \text{Min}$ | 2.40 | $LV_{DD} + 0.3$ | V |
| Output low voltage | V_{OL} | $I_{OL} = 4.0 \text{ mA}$ | $LV_{DD} = \text{Min}$ | GND | 0.50 | V |
| Input high voltage | V_{IH} | — | — | 2.0 | $LV_{DD} + 0.3$ | V |
| Input low voltage | V_{IL} | — | — | -0.3 | 0.90 | V |
| Input high current | I_{IH} | $V_{IN}^1 = LV_{DD}$ | | — | 40 | μA |
| Input low current | I_{IL} | $V_{IN}^1 = \text{GND}$ | | -600 | — | μA |

Notes:

1. The symbol V_{IN} , in this case, represents the LV_{IN} symbol referenced in Table 1 and Table 2.
2. GMII/MII pins not needed for RGMII or RTBI operation are powered by the OV_{DD} supply.

Table 24. RGMII/RTBI (When Operating at 2.5 V) DC Electrical Characteristics

| Parameters | Symbol | Conditions | | Min | Max | Unit |
|----------------------|-----------|----------------------------|------------------------|--------------------|-----------------|---------------|
| Supply voltage 2.5 V | LV_{DD} | — | | 2.37 | 2.63 | V |
| Output high voltage | V_{OH} | $I_{OH} = -1.0 \text{ mA}$ | $LV_{DD} = \text{Min}$ | 2.00 | $LV_{DD} + 0.3$ | V |
| Output low voltage | V_{OL} | $I_{OL} = 1.0 \text{ mA}$ | $LV_{DD} = \text{Min}$ | $\text{GND} - 0.3$ | 0.40 | V |
| Input high voltage | V_{IH} | — | $LV_{DD} = \text{Min}$ | 1.7 | $LV_{DD} + 0.3$ | V |
| Input low voltage | V_{IL} | — | $LV_{DD} = \text{Min}$ | -0.3 | 0.70 | V |
| Input high current | I_{IH} | $V_{IN}^1 = LV_{DD}$ | | — | 10 | μA |
| Input low current | I_{IL} | $V_{IN}^1 = \text{GND}$ | | -15 | — | μA |

Note:

1. The symbol V_{IN} , in this case, represents the LV_{IN} symbol referenced in Table 1 and Table 2.

8.2 GMII, MII, TBI, RGMII, and RTBI AC Timing Specifications

The AC timing specifications for GMII, MII, TBI, RGMII, and RTBI are presented in this section.

8.2.1 GMII Timing Specifications

This section describes the GMII transmit and receive AC timing specifications.

8.2.1.1 GMII Transmit AC Timing Specifications

Table 25 provides the GMII transmit AC timing specifications.

Table 25. GMII Transmit AC Timing Specifications

At recommended operating conditions with V_{DD}/OV_{DD} of $3.3\text{ V} \pm 10\%$.

| Parameter/Condition | Symbol ¹ | Min | Typ | Max | Unit |
|---|---------------------|-------|-----|-------|------|
| GTX_CLK clock period | t_{GTX} | — | 8.0 | — | ns |
| GTX_CLK duty cycle | t_{GTXH}/t_{GTX} | 43.75 | — | 56.25 | % |
| GTX_CLK to GMII data TXD[7:0], TX_ER, TX_EN delay | t_{GTKHDX} | 0.5 | — | 5.0 | ns |
| GTX_CLK clock rise time (20%–80%) | t_{GTXR} | — | — | 1.0 | ns |
| GTX_CLK clock fall time (80%–20%) | t_{GTXF} | — | — | 1.0 | ns |

Notes:

- The symbols for timing specifications follow the pattern $t_{(\text{first two letters of functional block})(\text{signal})(\text{state})(\text{reference})(\text{state})}$ for inputs and $t_{(\text{first two letters of functional block})(\text{reference})(\text{state})(\text{signal})(\text{state})}$ for outputs. For example, t_{GTKHDV} symbolizes GMII transmit timing (GT) with respect to the t_{GTX} clock reference (K) going to the high state (H) relative to the time date input signals (D) reaching the valid state (V) to state or setup time. Also, t_{GTKHDX} symbolizes GMII transmit timing (GT) with respect to the t_{GTX} clock reference (K) going to the high state (H) relative to the time date input signals (D) going invalid (X) or hold time. In general, the clock reference symbol is based on three letters representing the clock of a particular function. For example, the subscript of t_{GTX} represents the GMII(G) transmit (TX) clock. For rise and fall times, the latter convention is used with the appropriate letter: R (rise) or F (fall).

Figure 9 shows the GMII transmit AC timing diagram.

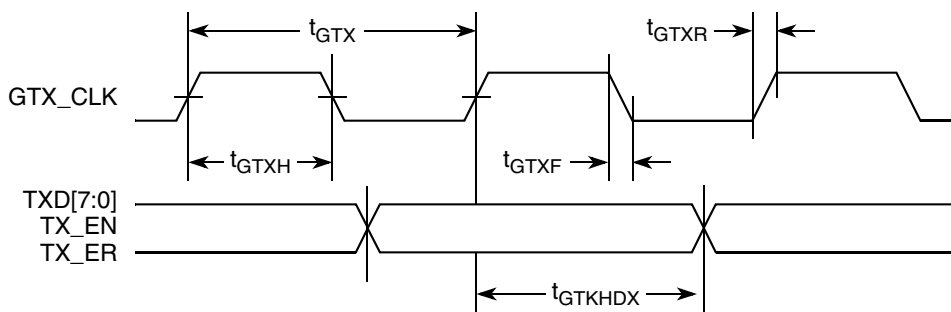


Figure 9. GMII Transmit AC Timing Diagram

8.2.1.2 GMII Receive AC Timing Specifications

Table 26 provides the GMII receive AC timing specifications.

Table 26. GMII Receive AC Timing Specifications

At recommended operating conditions with V_{DD}/OV_{DD} of $3.3\text{ V} \pm 10\%$.

| Parameter/Condition | Symbol ¹ | Min | Typ | Max | Unit |
|---|---------------------|-----|-----|-----|------|
| RX_CLK clock period | t_{GRX} | — | 8.0 | — | ns |
| RX_CLK duty cycle | t_{GRXH}/t_{GRX} | 40 | — | 60 | % |
| RXD[7:0], RX_DV, RX_ER setup time to RX_CLK | t_{GRDVKH} | 2.0 | — | — | ns |
| RXD[7:0], RX_DV, RX_ER hold time to RX_CLK | t_{GRDXKH} | 0.5 | — | — | ns |

Table 26. GMII Receive AC Timing Specifications (continued)

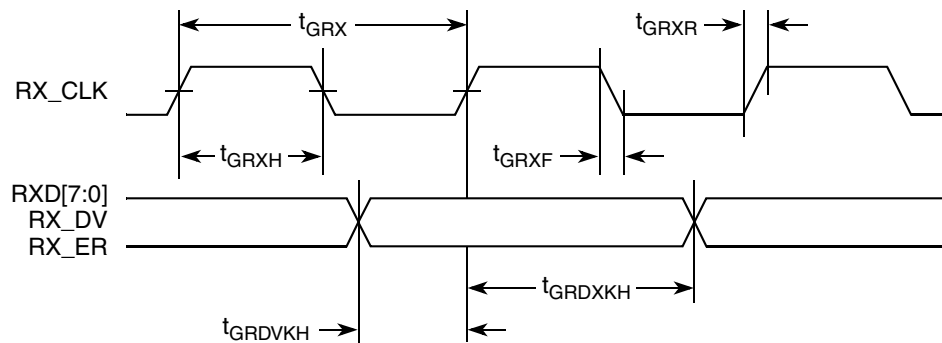
 At recommended operating conditions with V_{DD}/OV_{DD} of $3.3\text{ V} \pm 10\%$.

| Parameter/Condition | Symbol ¹ | Min | Typ | Max | Unit |
|----------------------------------|---------------------|-----|-----|-----|------|
| RX_CLK clock rise (20%–80%) | t_{GRXR} | — | — | 1.0 | ns |
| RX_CLK clock fall time (80%–20%) | t_{GRXF} | — | — | 1.0 | ns |

Note:

- The symbols for timing specifications follow the pattern of $t_{(\text{first two letters of functional block})(\text{signal})(\text{state})(\text{reference})(\text{state})}$ for inputs and $t_{(\text{first two letters of functional block})(\text{reference})(\text{state})(\text{signal})(\text{state})}$ for outputs. For example, t_{GRDVKH} symbolizes GMII receive timing (GR) with respect to the time data input signals (D) reaching the valid state (V) relative to the t_{RX} clock reference (K) going to the high state (H) or setup time. Also, t_{GRDXKL} symbolizes GMII receive timing (GR) with respect to the time data input signals (D) went invalid (X) relative to the t_{GRX} clock reference (K) going to the low (L) state or hold time. In general, the clock reference symbol is based on three letters representing the clock of a particular function. For example, the subscript of t_{GRX} represents the GMII (G) receive (RX) clock. For rise and fall times, the latter convention is used with the appropriate letter: R (rise) or F (fall).

Figure 10 shows the GMII receive AC timing diagram.


Figure 10. GMII Receive AC Timing Diagram

8.2.2 MII AC Timing Specifications

This section describes the MII transmit and receive AC timing specifications.

8.2.2.1 MII Transmit AC Timing Specifications

Table 27 provides the MII transmit AC timing specifications.

Table 27. MII Transmit AC Timing Specifications

 At recommended operating conditions with V_{DD}/OV_{DD} of $3.3\text{ V} \pm 10\%$.

| Parameter/Condition | Symbol ¹ | Min | Typ | Max | Unit |
|---|---------------------|-----|-----|-----|------|
| TX_CLK clock period 10 Mbps | t_{MTX} | — | 400 | — | ns |
| TX_CLK clock period 100 Mbps | t_{MTX} | — | 40 | — | ns |
| TX_CLK duty cycle | t_{MTXH}/t_{MTX} | 35 | — | 65 | % |
| TX_CLK to MII data TXD[3:0], TX_ER, TX_EN delay | t_{MTKHDX} | 1 | 5 | 15 | ns |

Table 27. MII Transmit AC Timing Specifications (continued)

At recommended operating conditions with V_{DD}/OV_{DD} of $3.3\text{ V} \pm 10\%$.

| Parameter/Condition | Symbol ¹ | Min | Typ | Max | Unit |
|----------------------------------|---------------------|-----|-----|-----|------|
| TX_CLK data clock rise (20%–80%) | t_{MTXR} | 1.0 | — | 4.0 | ns |
| TX_CLK data clock fall (80%–20%) | t_{MTXF} | 1.0 | — | 4.0 | ns |

Note:

- The symbols for timing specifications follow the pattern of $t_{(\text{first two letters of functional block})(\text{signal})(\text{state})(\text{reference})(\text{state})}$ for inputs and $t_{(\text{first two letters of functional block})(\text{reference})(\text{state})(\text{signal})(\text{state})}$ for outputs. For example, t_{MTKHDX} symbolizes MII transmit timing (MT) for the time t_{MTX} clock reference (K) going high (H) until data outputs (D) are invalid (X). In general, the clock reference symbol is based on two to three letters representing the clock of a particular function. For example, the subscript of t_{MTX} represents the MII(M) transmit (TX) clock. For rise and fall times, the latter convention is used with the appropriate letter: R (rise) or F (fall).

Figure 11 shows the MII transmit AC timing diagram.

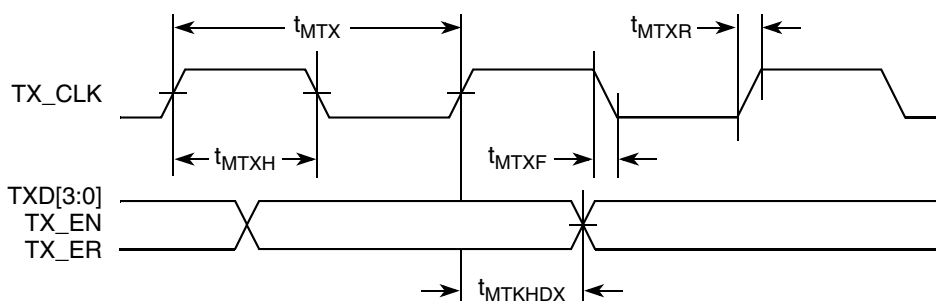


Figure 11. MII Transmit AC Timing Diagram

8.2.2.2 MII Receive AC Timing Specifications

Table 28 provides the MII receive AC timing specifications.

Table 28. MII Receive AC Timing Specifications

At recommended operating conditions with V_{DD}/OV_{DD} of $3.3\text{ V} \pm 10\%$.

| Parameter/Condition | Symbol ¹ | Min | Typ | Max | Unit |
|---|---------------------|------|-----|-----|------|
| RX_CLK clock period 10 Mbps | t_{MRX} | — | 400 | — | ns |
| RX_CLK clock period 100 Mbps | t_{MRX} | — | 40 | — | ns |
| RX_CLK duty cycle | t_{MRXH}/t_{MRX} | 35 | — | 65 | % |
| RXD[3:0], RX_DV, RX_ER setup time to RX_CLK | t_{MRDVKH} | 10.0 | — | — | ns |
| RXD[3:0], RX_DV, RX_ER hold time to RX_CLK | t_{MRDXKH} | 10.0 | — | — | ns |

Table 28. MII Receive AC Timing Specifications (continued)

 At recommended operating conditions with V_{DD}/OV_{DD} of $3.3\text{ V} \pm 10\%$.

| Parameter/Condition | Symbol ¹ | Min | Typ | Max | Unit |
|----------------------------------|---------------------|-----|-----|-----|------|
| RX_CLK clock rise (20%–80%) | t_{MRXR} | 1.0 | — | 4.0 | ns |
| RX_CLK clock fall time (80%–20%) | t_{MRXF} | 1.0 | — | 4.0 | ns |

Note:

- The symbols for timing specifications follow the pattern of $t_{(\text{first two letters of functional block})(\text{signal})(\text{state})(\text{reference})(\text{state})}$ for inputs and $t_{(\text{first two letters of functional block})(\text{reference})(\text{state})(\text{signal})(\text{state})}$ for outputs. For example, t_{MRDVKH} symbolizes MII receive timing (MR) with respect to the time data input signals (D) reach the valid state (V) relative to the t_{MRX} clock reference (K) going to the high (H) state or setup time. Also, t_{MRDXKL} symbolizes MII receive timing (GR) with respect to the time data input signals (D) went invalid (X) relative to the t_{MRX} clock reference (K) going to the low (L) state or hold time. In general, the clock reference symbol is based on three letters representing the clock of a particular function. For example, the subscript of t_{MRX} represents the MII (M) receive (RX) clock. For rise and fall times, the latter convention is used with the appropriate letter: R (rise) or F (fall).

Figure 12 provides the AC test load for TSEC.

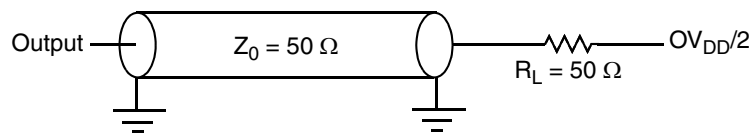
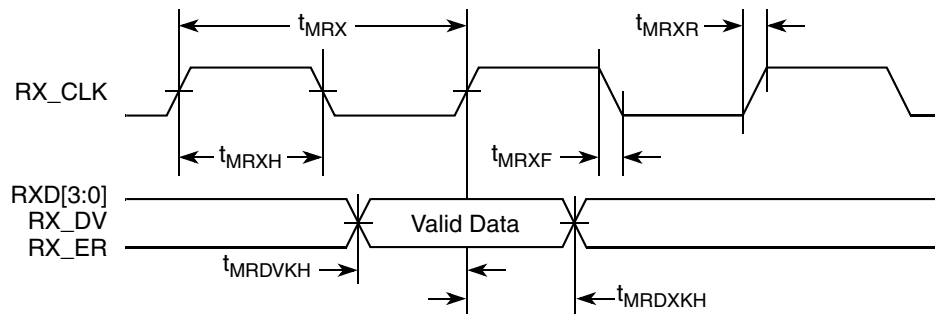

Figure 12. TSEC AC Test Load

Figure 13 shows the MII receive AC timing diagram.


Figure 13. MII Receive AC Timing Diagram

8.2.3 TBI AC Timing Specifications

This section describes the TBI transmit and receive AC timing specifications.

8.2.3.1 TBI Transmit AC Timing Specifications

Table 29 provides the TBI transmit AC timing specifications.

Table 29. TBI Transmit AC Timing Specifications

At recommended operating conditions with V_{DD}/OV_{DD} of $3.3\text{ V} \pm 10\%$.

| Parameter/Condition | Symbol ¹ | Min | Typ | Max | Unit |
|--|---------------------|-----|-----|-----|------|
| GTX_CLK clock period | t_{TTX} | — | 8.0 | — | ns |
| GTX_CLK duty cycle | t_{TTXH}/t_{TTX} | 40 | — | 60 | % |
| GTX_CLK to TBI data TXD[7:0], TX_ER, TX_EN delay | t_{TTKHDX} | 1.0 | — | 5.0 | ns |
| GTX_CLK clock rise (20%–80%) | t_{TTXR} | — | — | 1.0 | ns |
| GTX_CLK clock fall time (80%–20%) | t_{TTXF} | — | — | 1.0 | ns |

Notes:

- The symbols for timing specifications follow the pattern of $t_{(\text{first two letters of functional block})(\text{signal})(\text{state})(\text{reference})(\text{state})}$ for inputs and $t_{(\text{first two letters of functional block})(\text{reference})(\text{state})(\text{signal})(\text{state})}$ for outputs. For example, t_{TTKHDX} symbolizes the TBI transmit timing (TT) with respect to the time from t_{TTX} (K) going high (H) until the referenced data signals (D) reach the valid state (V) or setup time. Also, t_{TTKHDX} symbolizes the TBI transmit timing (TT) with respect to the time from t_{TTX} (K) going high (H) until the referenced data signals (D) reach the invalid state (X) or hold time. In general, the clock reference symbol is based on three letters representing the clock of a particular function. For example, the subscript of t_{TTX} represents the TBI (T) transmit (TX) clock. For rise and fall times, the latter convention is used with the appropriate letter: R (rise) or F (fall).

Figure 14 shows the TBI transmit AC timing diagram.

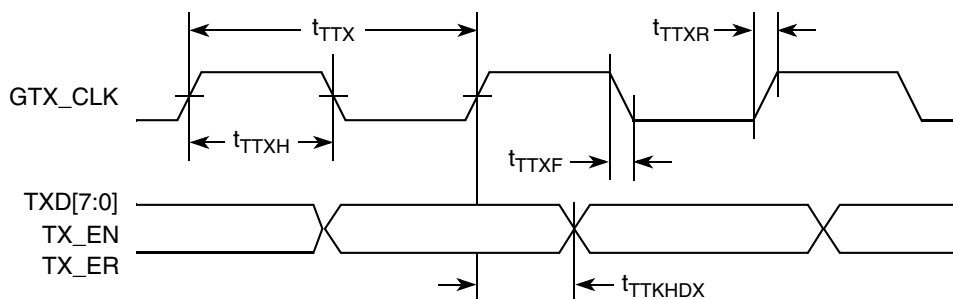


Figure 14. TBI Transmit AC Timing Diagram

8.2.3.2 TBI Receive AC Timing Specifications

Table 30 provides the TBI receive AC timing specifications.

Table 30. TBI Receive AC Timing Specifications

At recommended operating conditions with V_{DD}/OV_{DD} of $3.3\text{ V} \pm 10\%$.

| Parameter/Condition | Symbol ¹ | Min | Typ | Max | Unit |
|-------------------------|---------------------|-----|------|-----|------|
| PMA_RX_CLK clock period | t_{TRX} | | 16.0 | | ns |
| PMA_RX_CLK skew | t_{SKTRX} | 7.5 | — | 8.5 | ns |
| RX_CLK duty cycle | t_{TRXH}/t_{TRX} | 40 | — | 60 | % |

Table 30. TBI Receive AC Timing Specifications (continued)

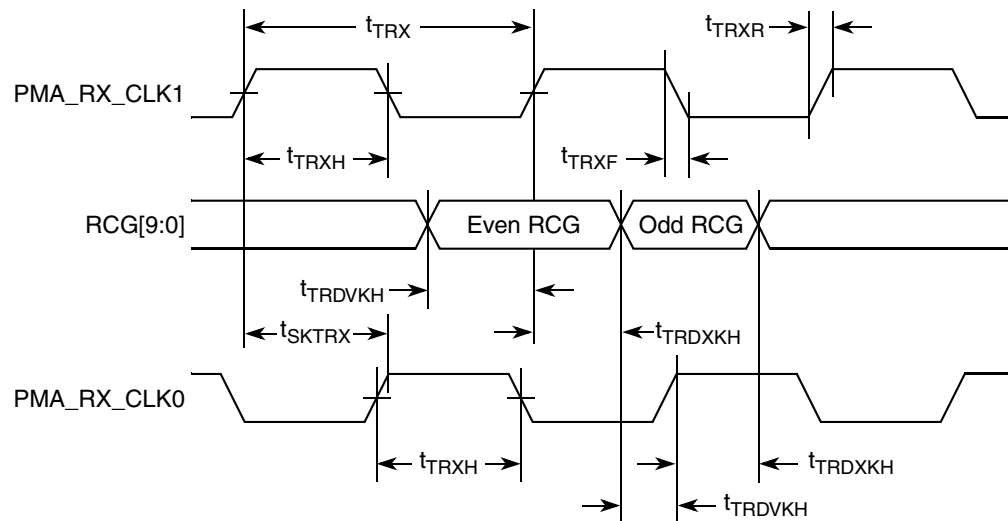
 At recommended operating conditions with V_{DD}/OV_{DD} of $3.3\text{ V} \pm 10\%$.

| Parameter/Condition | Symbol ¹ | Min | Typ | Max | Unit |
|---|---------------------------|-----|-----|-----|------|
| RXD[7:0], RX_DV, RX_ER (RCG[9:0]) setup time to rising PMA_RX_CLK | t_{TRDVKH} ² | 2.5 | — | — | ns |
| RXD[7:0], RX_DV, RX_ER (RCG[9:0]) hold time to rising PMA_RX_CLK | t_{TRDXKH} ² | 1.5 | — | — | ns |
| RX_CLK clock rise time (20%–80%) | t_{TRXR} | 0.7 | — | 2.4 | ns |
| RX_CLK clock fall time (80%–20%) | t_{TRXF} | 0.7 | — | 2.4 | ns |

Notes:

- The symbols for timing specifications follow the pattern of $t_{(\text{first two letters of functional block})(\text{signal})(\text{state})(\text{reference})(\text{state})}$ for inputs and $t_{(\text{first two letters of functional block})(\text{reference})(\text{state})(\text{signal})(\text{state})}$ for outputs. For example, t_{TRDVKH} symbolizes TBI receive timing (TR) with respect to the time data input signals (D) reach the valid state (V) relative to the t_{TRX} clock reference (K) going to the high (H) state or setup time. Also, t_{TRDXKH} symbolizes TBI receive timing (TR) with respect to the time data input signals (D) went invalid (X) relative to the t_{TRX} clock reference (K) going to the high (H) state. In general, the clock reference symbol is based on three letters representing the clock of a particular function. For example, the subscript of t_{TRX} represents the TBI (T) receive (RX) clock. For rise and fall times, the latter convention is used with the appropriate letter: R (rise) or F (fall). For symbols representing skews, the subscript SK followed by the clock that is being skewed (TRX).
- Setup and hold time of even numbered RCG are measured from the rising edge of PMA_RX_CLK1. Setup and hold times of odd-numbered RCG are measured from the rising edge of PMA_RX_CLK0.

Figure 15 shows the TBI receive AC timing diagram.


Figure 15. TBI Receive AC Timing Diagram

8.2.4 RGMII and RTBI AC Timing Specifications

Table 31 presents the RGMII and RTBI AC timing specifications.

Table 31. RGMII and RTBI AC Timing Specifications

At recommended operating conditions with V_{DD} of $2.5\text{ V} \pm 5\%$.

| Parameter/Condition | Symbol ¹ | Min | Typ | Max | Unit |
|--|---------------------|------|-----|------|------|
| Data to clock output skew (at transmitter) | t_{SKRGT} | -0.5 | — | 0.5 | ns |
| Data to clock input skew (at receiver) ² | t_{SKRGT} | 1.0 | — | 2.8 | ns |
| Clock cycle duration ³ | t_{RGT} | 7.2 | 8.0 | 8.8 | ns |
| Duty cycle for 1000Base-T ^{4, 5} | t_{RGTH}/t_{RGT} | 45 | 50 | 55 | % |
| Duty cycle for 10BASE-T and 100BASE-TX ^{3, 5} | t_{RGTH}/t_{RGT} | 40 | 50 | 60 | % |
| Rise time (20%–80%) | t_{RGTR} | — | — | 0.75 | ns |
| Fall time (80%–20%) | t_{RGTF} | — | — | 0.75 | ns |

Notes:

1. In general, the clock reference symbol for this section is based on the symbols RGT to represent RGMII and RTBI timing. For example, the subscript of t_{RGT} represents the TBI (T) receive (RX) clock. Also, the notation for rise (R) and fall (F) times follows the clock symbol. For symbols representing skews, the subscript is SK followed by the clock being skewed (RGT).
2. This implies that PC board design requires clocks to be routed so that an additional trace delay of greater than 1.5 ns is added to the associated clock signal.
3. For 10 and 100 Mbps, t_{RGT} scales to $400\text{ ns} \pm 40\text{ ns}$ and $40\text{ ns} \pm 4\text{ ns}$, respectively.
4. Duty cycle may be stretched/shrunk during speed changes or while transitioning to a received packet clock domains as long as the minimum duty cycle is not violated and stretching occurs for no more than three t_{RGT} of the lowest speed transitioned.
5. Duty cycle reference is $V_{DD}/2$.

Figure 16 shows the RBMII and RTBI AC timing and multiplexing diagrams.

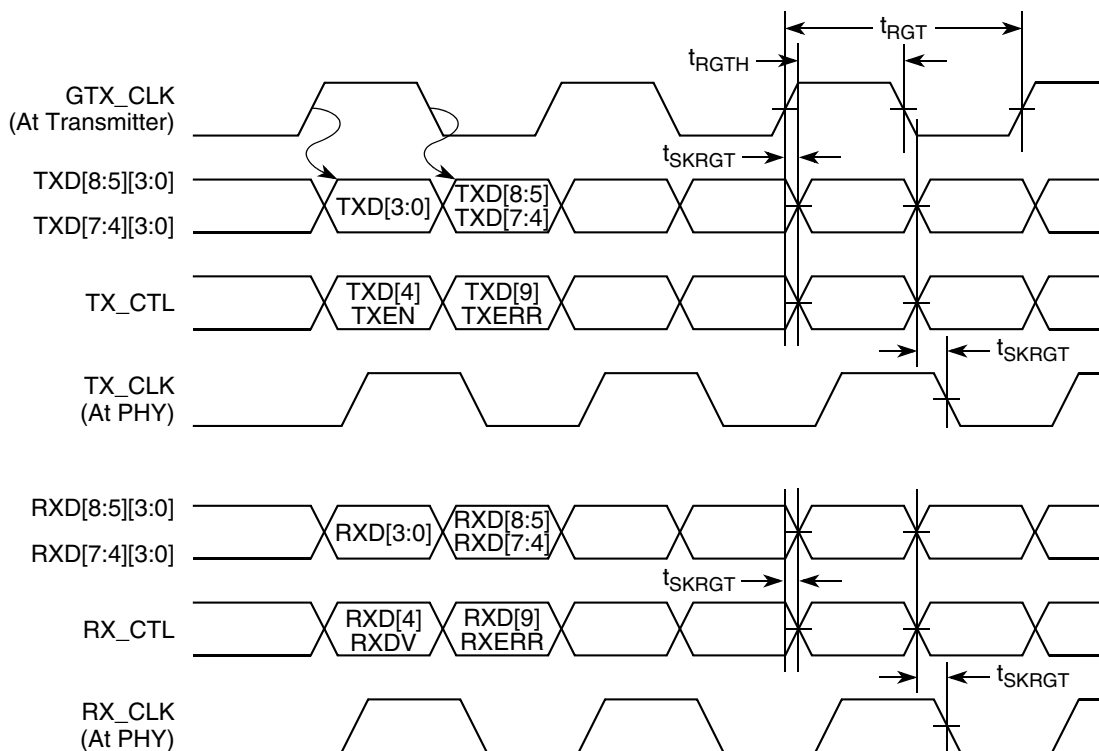


Figure 16. RGMII and RTBI AC Timing and Multiplexing Diagrams

8.3 Ethernet Management Interface Electrical Characteristics

The electrical characteristics specified here apply to the MII management interface signals management data input/output (MDIO) and management data clock (MDC). The electrical characteristics for GMII, RGMII, TBI and RTBI are specified in [Section 8.1, “Three-Speed Ethernet Controller \(TSEC\)—GMII/MII/TBI/RGMII/RTBI Electrical Characteristics.”](#)

8.3.1 MII Management DC Electrical Characteristics

The MDC and MDIO are defined to operate at a supply voltage of 2.5 or 3.3 V. The DC electrical characteristics for MDIO and MDC are provided in [Table 32](#) and [Table 33](#).

Table 32. MII Management DC Electrical Characteristics Powered at 2.5 V

| Parameter | Symbol | Conditions | | Min | Max | Unit |
|------------------------|----------|--------------------|-----------------------|--------------------|----------------|------|
| Supply voltage (2.5 V) | V_{DD} | — | | 2.37 | 2.63 | V |
| Output high voltage | V_{OH} | $I_{OH} = -1.0$ mA | $V_{DD} = \text{Min}$ | 2.00 | $V_{DD} + 0.3$ | V |
| Output low voltage | V_{OL} | $I_{OL} = 1.0$ mA | $V_{DD} = \text{Min}$ | $\text{GND} - 0.3$ | 0.40 | V |
| Input high voltage | V_{IH} | — | $V_{DD} = \text{Min}$ | 1.7 | — | V |
| Input low voltage | V_{IL} | — | $V_{DD} = \text{Min}$ | -0.3 | 0.70 | V |

Table 32. MII Management DC Electrical Characteristics Powered at 2.5 V (continued)

| Parameter | Symbol | Conditions | Min | Max | Unit |
|--------------------|----------|----------------------|-----|-----|---------|
| Input high current | I_{IH} | $V_{IN}^1 = LV_{DD}$ | — | 10 | μA |
| Input low current | I_{IL} | $V_{IN} = LV_{DD}$ | -15 | — | μA |

Note:

 1. The symbol V_{IN} , in this case, represents the LV_{IN} symbol referenced in [Table 1](#) and [Table 2](#).

Table 33. MII Management DC Electrical Characteristics Powered at 3.3 V

| Parameter | Symbol | Conditions | | Min | Max | Unit |
|------------------------|-----------|----------------------------|----------------------------|------|-----------------|---------|
| Supply voltage (3.3 V) | LV_{DD} | — | | 2.97 | 3.63 | V |
| Output high voltage | V_{OH} | $I_{OH} = -1.0 \text{ mA}$ | $LV_{DD} = \text{Min}$ | 2.10 | $LV_{DD} + 0.3$ | V |
| Output low voltage | V_{OL} | $I_{OL} = 1.0 \text{ mA}$ | $LV_{DD} = \text{Min}$ | GND | 0.50 | V |
| Input high voltage | V_{IH} | — | | 2.00 | — | V |
| Input low voltage | V_{IL} | — | | — | 0.80 | V |
| Input high current | I_{IH} | $LV_{DD} = \text{Max}$ | $V_{IN}^1 = 2.1 \text{ V}$ | — | 40 | μA |
| Input low current | I_{IL} | $LV_{DD} = \text{Max}$ | $V_{IN} = 0.5 \text{ V}$ | -600 | — | μA |

Note:

 1. The symbol V_{IN} , in this case, represents the LV_{IN} symbol referenced in [Table 1](#) and [Table 2](#).

8.3.2 MII Management AC Electrical Specifications

[Table 34](#) provides the MII management AC timing specifications.

Table 34. MII Management AC Timing Specifications

 At recommended operating conditions with LV_{DD} is 3.3 V \pm 10% or 2.5 V \pm 5%.

| Parameter/Condition | Symbol ¹ | Min | Typ | Max | Unit | Notes |
|----------------------------|---------------------|-----|-----|-----|------|-------|
| MDC frequency | f_{MDC} | — | 2.5 | — | MHz | 2 |
| MDC period | t_{MDC} | — | 400 | — | ns | — |
| MDC clock pulse width high | t_{MDCH} | 32 | — | — | ns | — |
| MDC to MDIO delay | t_{MDKHDX} | 10 | — | 70 | ns | 3 |
| MDIO to MDC setup time | t_{MDDVKH} | 5 | — | — | ns | — |
| MDIO to MDC hold time | t_{MDDXKH} | 0 | — | — | ns | — |
| MDC rise time | t_{MDCR} | — | — | 10 | ns | — |

Table 34. MII Management AC Timing Specifications (continued)

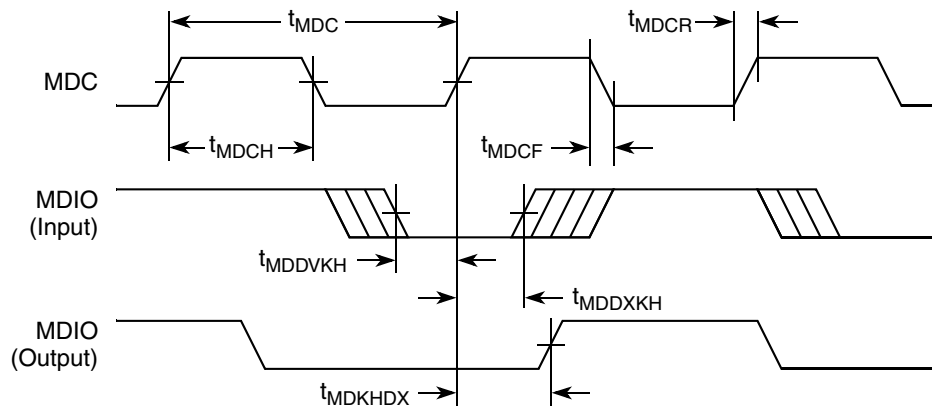
 At recommended operating conditions with V_{DD} is $3.3\text{ V} \pm 10\%$ or $2.5\text{ V} \pm 5\%$.

| Parameter/Condition | Symbol ¹ | Min | Typ | Max | Unit | Notes |
|---------------------|---------------------|-----|-----|-----|------|-------|
| MDC fall time | t_{MDHF} | — | — | 10 | ns | — |

Notes:

1. The symbols for timing specifications follow the pattern of $t_{(\text{first two letters of functional block})(\text{signal})(\text{state})(\text{reference})(\text{state})}$ for inputs and $t_{(\text{first two letters of functional block})(\text{reference})(\text{state})(\text{signal})(\text{state})}$ for outputs. For example, t_{MDKHDX} symbolizes management data timing (MD) for the time t_{MDC} from clock reference (K) high (H) until data outputs (D) are invalid (X) or data hold time. Also, t_{MDDVKH} symbolizes management data timing (MD) with respect to the time data input signals (D) reach the valid state (V) relative to the t_{MDC} clock reference (K) going to the high (H) state or setup time. For rise and fall times, the latter convention is used with the appropriate letter: R (rise) or F (fall).
2. This parameter is dependent on the csb_clk speed (that is, for a csb_clk of 267 MHz, the maximum frequency is 8.3 MHz and the minimum frequency is 1.2 MHz; for a csb_clk of 375 MHz, the maximum frequency is 11.7 MHz and the minimum frequency is 1.7 MHz).
3. This parameter is dependent on the csb_clk speed (that is, for a csb_clk of 267 MHz, the delay is 70 ns and for a csb_clk of 333 MHz, the delay is 58 ns).

Figure 17 shows the MII management AC timing diagram.


Figure 17. MII Management Interface Timing Diagram

9 USB

This section provides the AC and DC electrical specifications for the USB interface of the MPC8349EA.

9.1 USB DC Electrical Characteristics

Table 35 provides the DC electrical characteristics for the USB interface.

Table 35. USB DC Electrical Characteristics

| Parameter | Symbol | Min | Max | Unit |
|--|----------|-----------------|-----------------|---------|
| High-level input voltage | V_{IH} | 2 | $OV_{DD} + 0.3$ | V |
| Low-level input voltage | V_{IL} | -0.3 | 0.8 | V |
| Input current | I_{IN} | — | ± 5 | μA |
| High-level output voltage, $I_{OH} = -100 \mu A$ | V_{OH} | $OV_{DD} - 0.2$ | — | V |
| Low-level output voltage, $I_{OL} = 100 \mu A$ | V_{OL} | — | 0.2 | V |

9.2 USB AC Electrical Specifications

Table 36 describes the general timing parameters of the USB interface of the MPC8349EA.

Table 36. USB General Timing Parameters (ULPI Mode Only)

| Parameter | Symbol ¹ | Min | Max | Unit | Notes |
|--|---------------------|-----|-----|------|-------|
| USB clock cycle time | t_{USCK} | 15 | — | ns | 2-5 |
| Input setup to USB clock—all inputs | t_{USIVKH} | 4 | — | ns | 2-5 |
| Input hold to USB clock—all inputs | t_{USIXKH} | 1 | — | ns | 2-5 |
| USB clock to output valid—all outputs | $t_{USKH OV}$ | — | 7 | ns | 2-5 |
| Output hold from USB clock—all outputs | $t_{USKH OX}$ | 2 | — | ns | 2-5 |

Notes:

- The symbols for timing specifications follow the pattern of $t_{(\text{first two letters of functional block})(\text{signal})(\text{state})(\text{reference})(\text{state})}$ for inputs and $t_{(\text{first two letters of functional block})(\text{reference})(\text{state})(\text{signal})(\text{state})}$ for outputs. For example, t_{USIXKH} symbolizes USB timing (US) for the input (I) to go invalid (X) with respect to the time the USB clock reference (K) goes high (H). Also, $t_{USKH OX}$ symbolizes USB timing (US) for the USB clock reference (K) to go high (H), with respect to the output (O) going invalid (X) or output hold time.
- All timings are in reference to USB clock.
- All signals are measured from $OV_{DD}/2$ of the rising edge of the USB clock to $0.4 \times OV_{DD}$ of the signal in question for 3.3 V signaling levels.
- Input timings are measured at the pin.
- For active/float timing measurements, the Hi-Z or off-state is defined to be when the total current delivered through the component pin is less than or equal to that of the leakage current specification.

Figure 18 and Figure 19 provide the AC test load and signals for the USB, respectively.

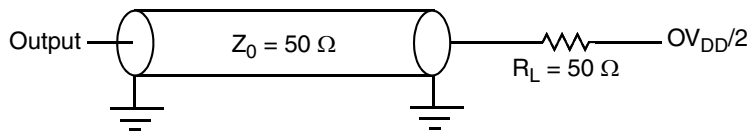


Figure 18. USB AC Test Load

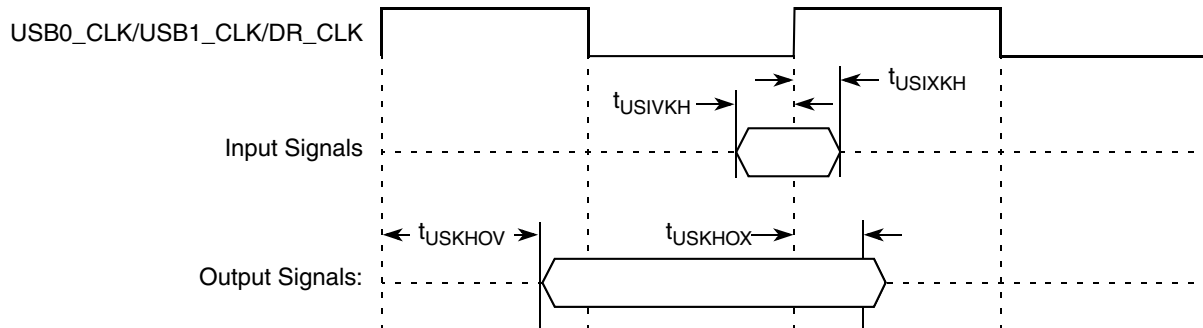


Figure 19. USB Signals

10 Local Bus

This section describes the DC and AC electrical specifications for the local bus interface of the MPC8349EA.

10.1 Local Bus DC Electrical Characteristics

Table 37 provides the DC electrical characteristics for the local bus interface.

Table 37. Local Bus DC Electrical Characteristics

| Parameter | Symbol | Min | Max | Unit |
|--|----------|-----------------|-----------------|---------|
| High-level input voltage | V_{IH} | 2 | $OV_{DD} + 0.3$ | V |
| Low-level input voltage | V_{IL} | -0.3 | 0.8 | V |
| Input current | I_{IN} | — | ± 5 | μA |
| High-level output voltage, $I_{OH} = -100 \mu A$ | V_{OH} | $OV_{DD} - 0.2$ | — | V |
| Low-level output voltage, $I_{OL} = 100 \mu A$ | V_{OL} | — | 0.2 | V |

10.2 Local Bus AC Electrical Specification

Table 38 and Table 39 describe the general timing parameters of the local bus interface of the MPC8349EA.

Table 38. Local Bus General Timing Parameters—DLL On

| Parameter | Symbol ¹ | Min | Max | Unit | Notes |
|---|---------------------|-----|-----|------|-------|
| Local bus cycle time | t_{LBK} | 7.5 | — | ns | 2 |
| Input setup to local bus clock (except LUPWAIT) | $t_{LBIVKH1}$ | 1.5 | — | ns | 3, 4 |
| LUPWAIT input setup to local bus clock | $t_{LBIVKH2}$ | 2.2 | — | ns | 3, 4 |
| Input hold from local bus clock (except LUPWAIT) | $t_{LBIXKH1}$ | 1.0 | — | ns | 3, 4 |
| LUPWAIT Input hold from local bus clock | $t_{LBIXKH2}$ | 1.0 | — | ns | 3, 4 |
| LALE output fall to LAD output transition (LATCH hold time) | $t_{LBOTOT1}$ | 1.5 | — | ns | 5 |
| LALE output fall to LAD output transition (LATCH hold time) | $t_{LBOTOT2}$ | 3 | — | ns | 6 |
| LALE output fall to LAD output transition (LATCH hold time) | $t_{LBOTOT3}$ | 2.5 | — | ns | 7 |
| Local bus clock to LALE rise | t_{LBKHLR} | — | 4.5 | ns | — |
| Local bus clock to output valid (except LAD/LDP and LALE) | $t_{LBKHOV1}$ | — | 4.5 | ns | — |
| Local bus clock to data valid for LAD/LDP | $t_{LBKHOV2}$ | — | 4.5 | ns | 3 |
| Local bus clock to address valid for LAD | $t_{LBKHOV3}$ | — | 4.5 | ns | 3 |
| Output hold from local bus clock (except LAD/LDP and LALE) | $t_{LBKHOX1}$ | 1 | — | ns | 3 |
| Output hold from local bus clock for LAD/LDP | $t_{LBKHOX2}$ | 1 | — | ns | 3 |
| Local bus clock to output high impedance for LAD/LDP | t_{LBKHOZ} | — | 3.8 | ns | 8 |

Notes:

1. The symbols for timing specifications follow the pattern of $t_{(\text{first two letters of functional block})(\text{signal})(\text{state})(\text{reference})(\text{state})}$ for inputs and $t_{(\text{first two letters of functional block})(\text{reference})(\text{state})(\text{signal})(\text{state})}$ for outputs. For example, $t_{LBIXKH1}$ symbolizes local bus timing (LB) for the input (I) to go invalid (X) with respect to the time the t_{LBK} clock reference (K) goes high (H), in this case for clock one (1). Also, t_{LBKHOX} symbolizes local bus timing (LB) for the t_{LBK} clock reference (K) to go high (H), with respect to the output (O) going invalid (X) or output hold time.
2. All timings are in reference to the rising edge of LSYNC_IN.
3. All signals are measured from $OV_{DD}/2$ of the rising edge of LSYNC_IN to $0.4 \times OV_{DD}$ of the signal in question for 3.3 V signaling levels.
4. Input timings are measured at the pin.
5. $t_{LBOTOT1}$ should be used when RCWH[LALE] is not set and when the load on the LALE output pin is at least 10 pF less than the load on the LAD output pins.
6. $t_{LBOTOT2}$ should be used when RCWH[LALE] is set and when the load on the LALE output pin is at least 10 pF less than the load on the LAD output pins.
7. $t_{LBOTOT3}$ should be used when RCWH[LALE] is set and when the load on the LALE output pin equals the load on the LAD output pins.
8. For active/float timing measurements, the Hi-Z or off-state is defined to be when the total current delivered through the component pin is less than or equal to that of the leakage current specification.

Table 39. Local Bus General Timing Parameters—DLL Bypass⁹

| Parameter | Symbol ¹ | Min | Max | Unit | Notes |
|---|---------------------|-----|-----|------|-------|
| Local bus cycle time | t_{LBK} | 15 | — | ns | 2 |
| Input setup to local bus clock | t_{LBIVKH} | 7 | — | ns | 3, 4 |
| Input hold from local bus clock | t_{LBIXKH} | 1.0 | — | ns | 3, 4 |
| LALE output fall to LAD output transition (LATCH hold time) | $t_{LBOTOT1}$ | 1.5 | — | ns | 5 |
| LALE output fall to LAD output transition (LATCH hold time) | $t_{LBOTOT2}$ | 3 | — | ns | 6 |
| LALE output fall to LAD output transition (LATCH hold time) | $t_{LBOTOT3}$ | 2.5 | — | ns | 7 |
| Local bus clock to output valid | t_{LBKLOV} | — | 3 | ns | 3 |
| Local bus clock to output high impedance for LAD/LDP | t_{LBKHOZ} | — | 4 | ns | 8 |

Notes:

- The symbols for timing specifications follow the pattern of $t_{(\text{first two letters of functional block})(\text{signal})(\text{state})(\text{reference})(\text{state})}$ for inputs and $t_{(\text{first two letters of functional block})(\text{reference})(\text{state})(\text{signal})(\text{state})}$ for outputs. For example, $t_{LBIXKH1}$ symbolizes local bus timing (LB) for the input (I) to go invalid (X) with respect to the time the t_{LBK} clock reference (K) goes high (H), in this case for clock one (1). Also, t_{LBKHOX} symbolizes local bus timing (LB) for the t_{LBK} clock reference (K) to go high (H), with respect to the output (O) going invalid (X) or output hold time.
- All timings are in reference to the falling edge of LCLK0 (for all outputs and for \overline{LGTA} and LUPWAIT inputs) or the rising edge of LCLK0 (for all other inputs).
- All signals are measured from $OV_{DD}/2$ of the rising/falling edge of LCLK0 to $0.4 \times OV_{DD}$ of the signal in question for 3.3 V signaling levels.
- Input timings are measured at the pin.
- $t_{LBOTOT1}$ should be used when RCWH[LALE] is set and when the load on the LALE output pin is at least 10 pF less than the load on the LAD output pins.
- $t_{LBOTOT2}$ should be used when RCWH[LALE] is not set and when the load on the LALE output pin is at least 10 pF less than the load on the LAD output pins.
- $t_{LBOTOT3}$ should be used when RCWH[LALE] is not set and when the load on the LALE output pin equals to the load on the LAD output pins.
- For purposes of active/float timing measurements, the Hi-Z or off-state is defined to be when the total current delivered through the component pin is less than or equal to the leakage current specification.
- DLL bypass mode is not recommended for use at frequencies above 66 MHz.

Figure 20 provides the AC test load for the local bus.

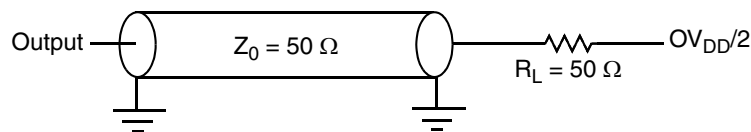

Figure 20. Local Bus C Test Load

Figure 21 through Figure 26 show the local bus signals.

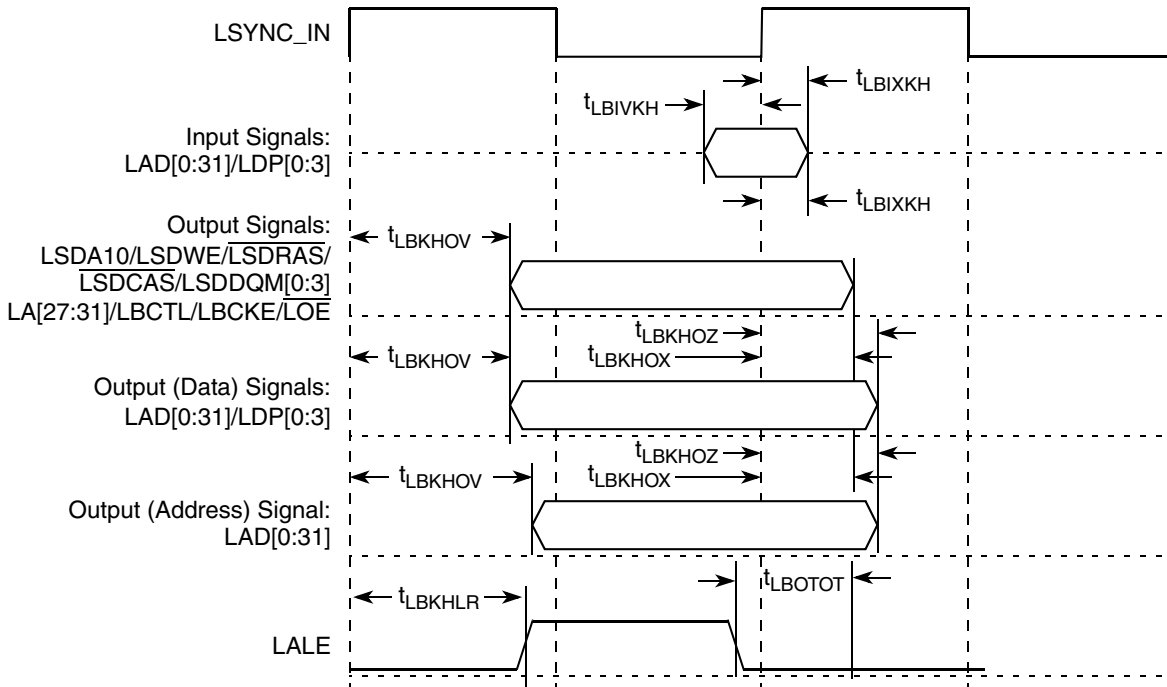


Figure 21. Local Bus Signals, Nonspecial Signals Only (DLL Enabled)

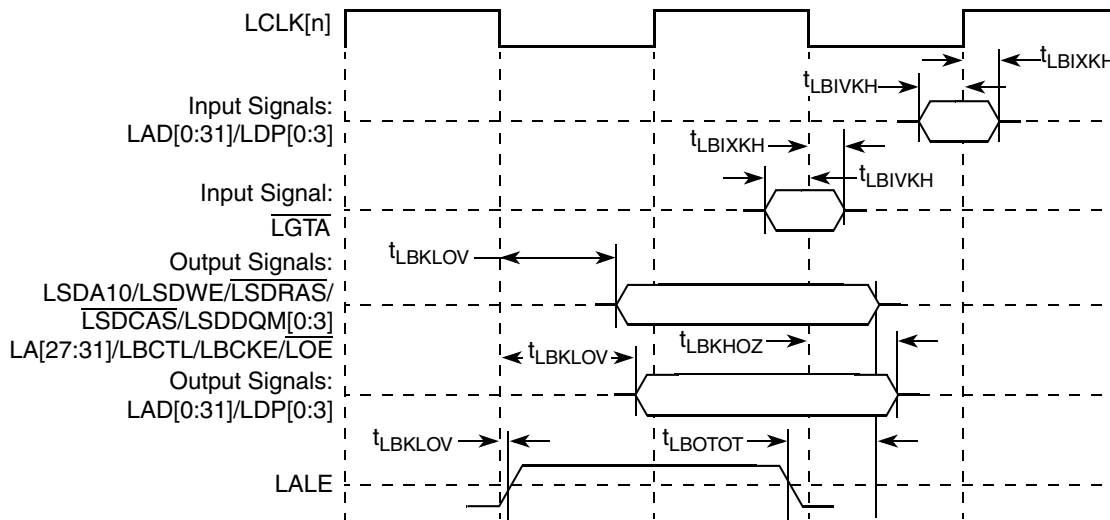


Figure 22. Local Bus Signals, Nonspecial Signals Only (DLL Bypass Mode)

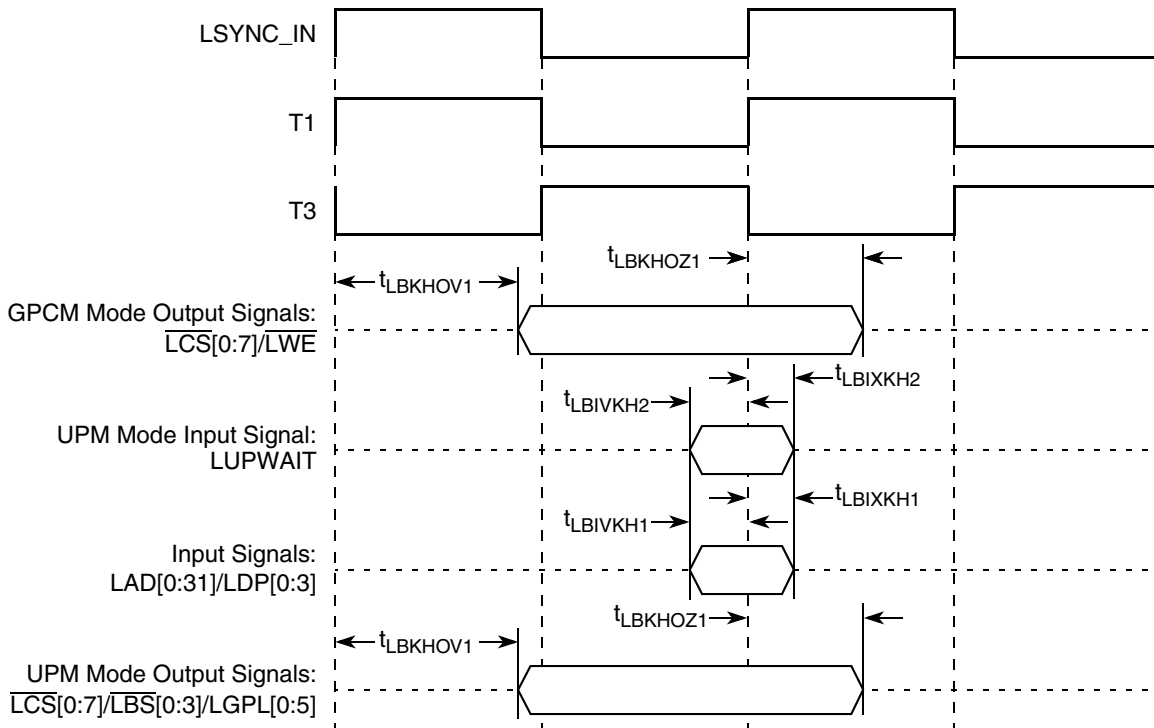


Figure 23. Local Bus Signals, GPCM/UPM Signals for LCCR[CLKDIV] = 2 (DLL Enabled)

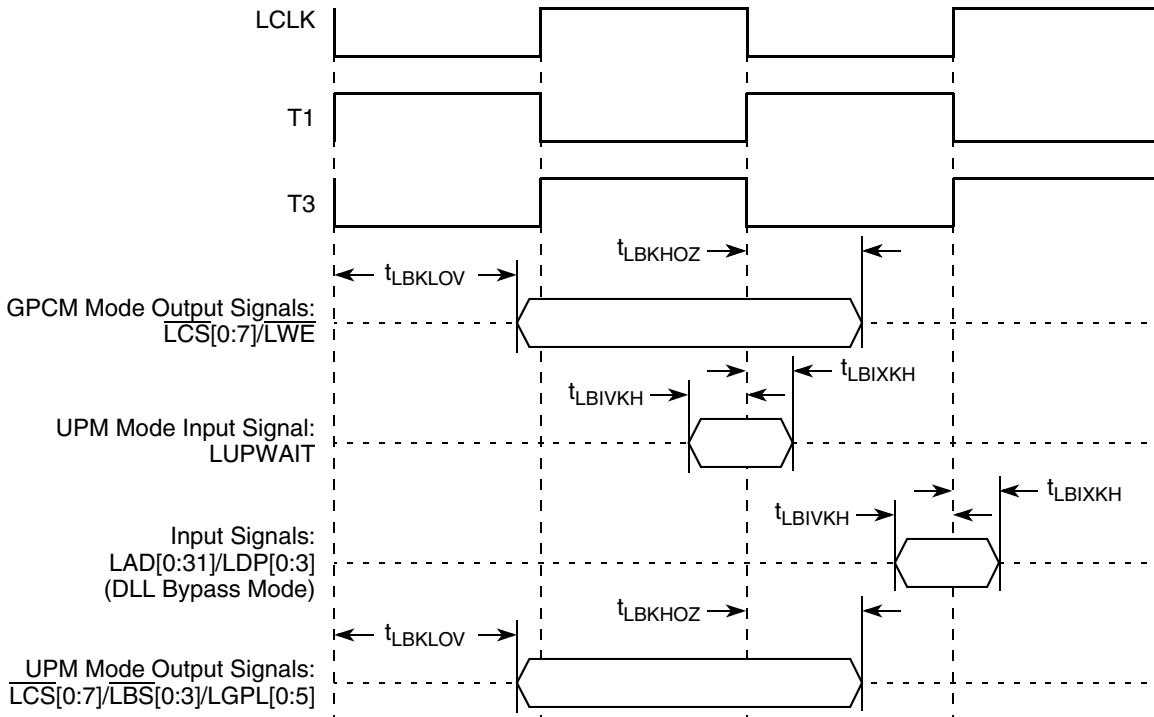


Figure 24. Local Bus Signals, GPCM/UPM Signals for LCCR[CLKDIV] = 2 (DLL Bypass Mode)

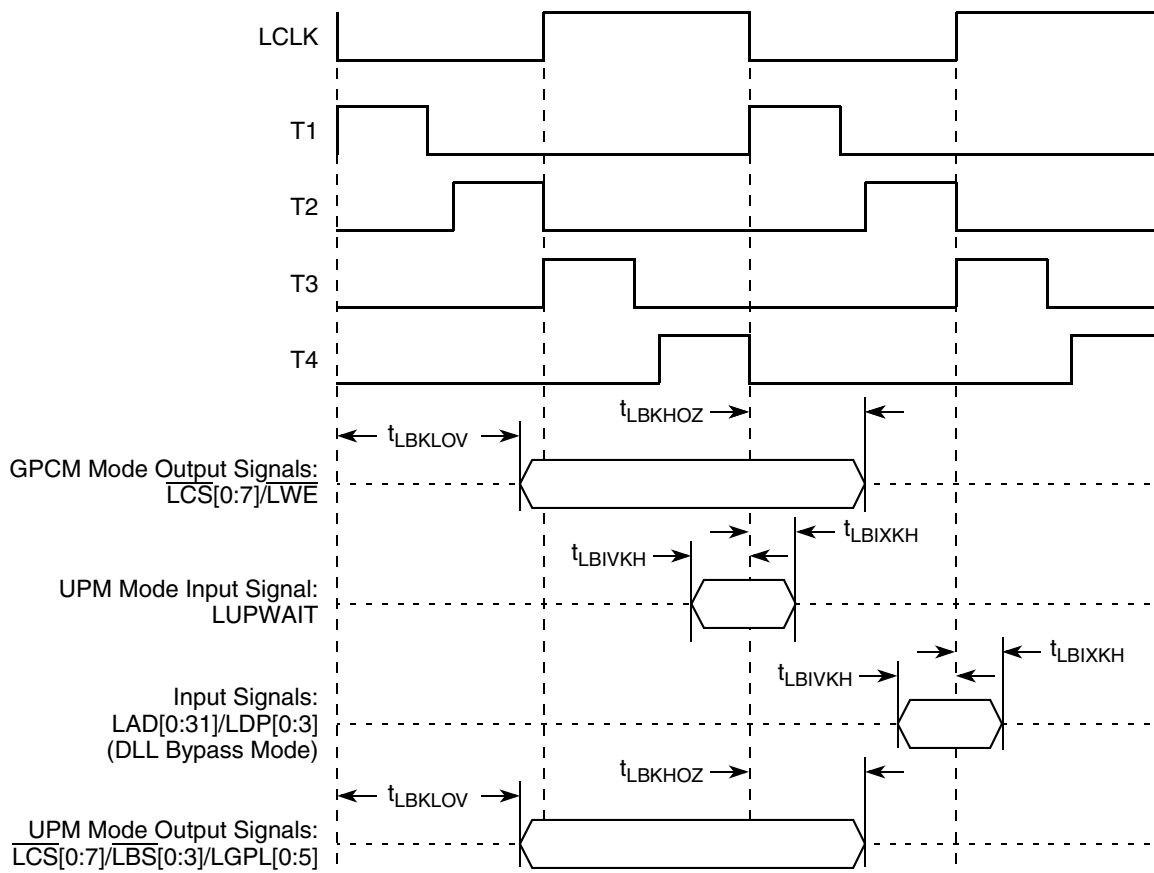


Figure 25. Local Bus Signals, GPCM/UPM Signals for LCCR[CLKDIV] = 4 (DLL Bypass Mode)

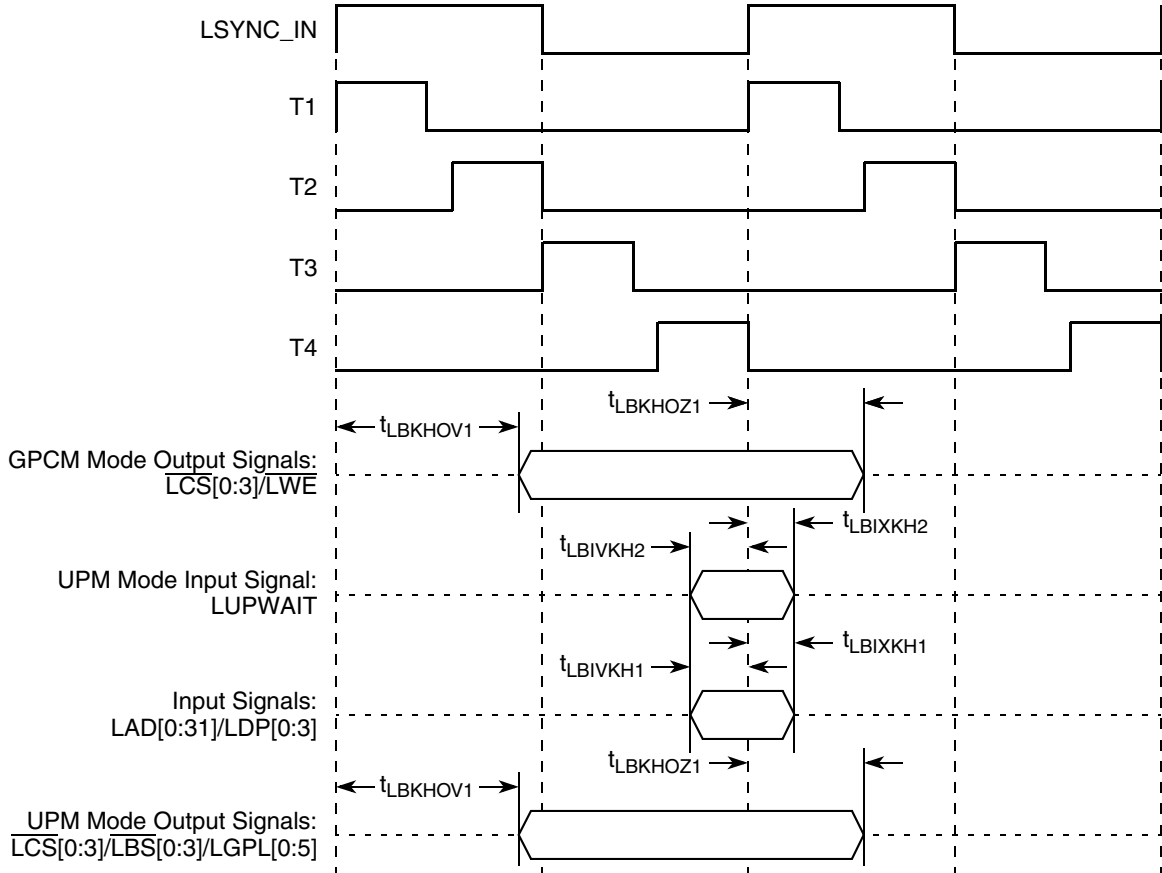


Figure 26. Local Bus Signals, GPCM/UPM Signals for LCCR[CLKDIV] = 4 (DLL Enabled)

11 JTAG

This section describes the DC and AC electrical specifications for the IEEE Std. 1149.1 (JTAG) interface of the MPC8349EA.

11.1 JTAG DC Electrical Characteristics

Table 40 provides the DC electrical characteristics for the IEEE Std. 1149.1 (JTAG) interface of the MPC8349EA.

Table 40. JTAG Interface DC Electrical Characteristics

| Parameter | Symbol | Condition | Min | Max | Unit |
|---------------------|----------|----------------------------|-----------------|-----------------|------|
| Input high voltage | V_{IH} | — | $OV_{DD} - 0.3$ | $OV_{DD} + 0.3$ | V |
| Input low voltage | V_{IL} | — | -0.3 | 0.8 | V |
| Input current | I_{IN} | — | — | ±5 | μA |
| Output high voltage | V_{OH} | $I_{OH} = -8.0 \text{ mA}$ | 2.4 | — | V |

Table 40. JTAG Interface DC Electrical Characteristics (continued)

| Parameter | Symbol | Condition | Min | Max | Unit |
|--------------------|----------|---------------------------|-----|-----|------|
| Output low voltage | V_{OL} | $I_{OL} = 8.0 \text{ mA}$ | — | 0.5 | V |
| Output low voltage | V_{OL} | $I_{OL} = 3.2 \text{ mA}$ | — | 0.4 | V |

11.2 JTAG AC Timing Specifications

This section describes the AC electrical specifications for the IEEE Std. 1149.1 (JTAG) interface of the MPC8349EA. Table 41 provides the JTAG AC timing specifications as defined in Figure 28 through Figure 31.

Table 41. JTAG AC Timing Specifications (Independent of CLKIN)¹

At recommended operating conditions (see Table 2).

| Parameter | Symbol ² | Min | Max | Unit | Notes |
|---|----------------------|-----|------|------|-------|
| JTAG external clock frequency of operation | f_{JTG} | 0 | 33.3 | MHz | — |
| JTAG external clock cycle time | t_{JTG} | 30 | — | ns | — |
| JTAG external clock pulse width measured at 1.4 V | t_{JTKHKL} | 15 | — | ns | — |
| JTAG external clock rise and fall times | t_{JTGR}, t_{JTGF} | 0 | 2 | ns | — |
| \overline{TRST} assert time | t_{TRST} | 25 | — | ns | 3 |
| Input setup times: | | | | ns | |
| Boundary-scan data | t_{JTDVKH} | 4 | — | | 4 |
| TMS, TDI | t_{JTIVKH} | 4 | — | | |
| Input hold times: | | | | ns | |
| Boundary-scan data | t_{JTDXKH} | 10 | — | | 4 |
| TMS, TDI | t_{JTIXKH} | 10 | — | | |
| Valid times: | | | | ns | |
| Boundary-scan data | t_{JTKLDV} | 2 | 11 | | 5 |
| TDO | t_{JTKLOV} | 2 | 11 | | |
| Output hold times: | | | | ns | |
| Boundary-scan data | t_{JTKLDX} | 2 | — | | 5 |
| TDO | t_{JTKLOX} | 2 | — | | |

Table 41. JTAG AC Timing Specifications (Independent of CLKIN)¹ (continued)

At recommended operating conditions (see Table 2).

| Parameter | Symbol ² | Min | Max | Unit | Notes |
|---|---------------------|-----|-----|------|-------|
| JTAG external clock to output high impedance: | | | | ns | |
| Boundary-scan data | t_{JTKLDZ} | 2 | 19 | | 5, 6 |
| TDO | t_{JKLOZ} | 2 | 9 | | |

Notes:

1. All outputs are measured from the midpoint voltage of the falling/rising edge of t_{TCLK} to the midpoint of the signal in question. The output timings are measured at the pins. All output timings assume a purely resistive 50 Ω load (see Figure 18). Time-of-flight delays must be added for trace lengths, vias, and connectors in the system.
2. The symbols for timing specifications follow the pattern of $t_{(first\ two\ letters\ of\ functional\ block)(signal)(state)(reference)(state)}$ for inputs and $t_{(first\ two\ letters\ of\ functional\ block)(reference)(state)(signal)(state)}$ for outputs. For example, t_{JTDVKH} symbolizes JTAG device timing (JT) with respect to the time data input signals (D) reaching the valid state (V) relative to the t_{JTG} clock reference (K) going to the high (H) state or setup time. Also, t_{JTDXKH} symbolizes JTAG timing (JT) with respect to the time data input signals (D) went invalid (X) relative to the t_{JTG} clock reference (K) going to the high (H) state. In general, the clock reference symbol is based on three letters representing the clock of a particular function. For rise and fall times, the latter convention is used with the appropriate letter: R (rise) or F (fall).
3. \overline{TRST} is an asynchronous level sensitive signal. The setup time is for test purposes only.
4. Non-JTAG signal input timing with respect to t_{TCLK} .
5. Non-JTAG signal output timing with respect to t_{TCLK} .
6. Guaranteed by design and characterization.

Figure 27 provides the AC test load for TDO and the boundary-scan outputs of the MPC8349EA.

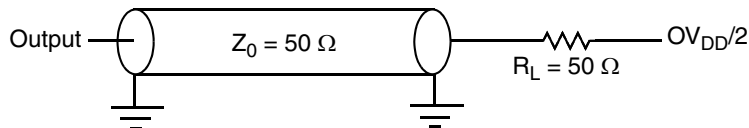


Figure 27. AC Test Load for the JTAG Interface

Figure 28 provides the JTAG clock input timing diagram.

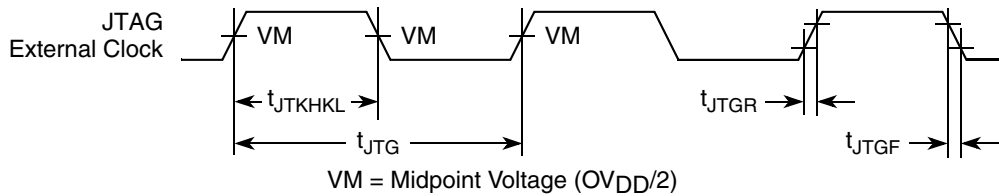


Figure 28. JTAG Clock Input Timing Diagram

Figure 29 provides the \overline{TRST} timing diagram.

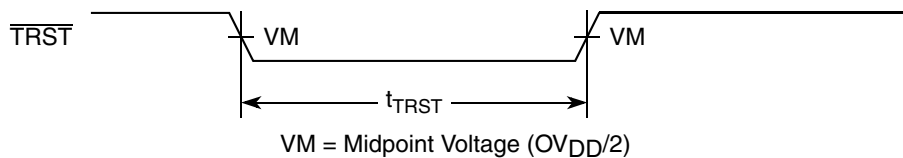


Figure 29. \overline{TRST} Timing Diagram

Figure 30 provides the boundary-scan timing diagram.

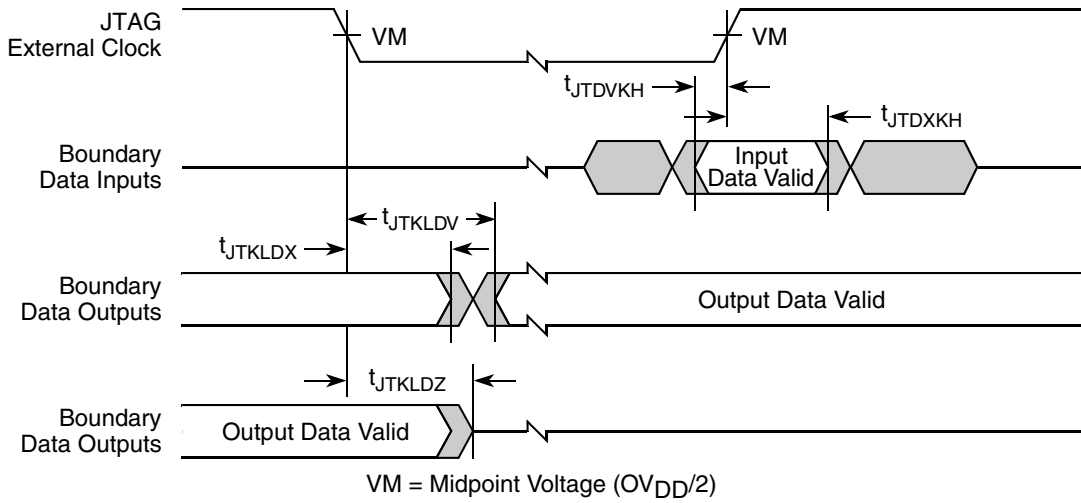


Figure 30. Boundary-Scan Timing Diagram

Figure 31 provides the test access port timing diagram.

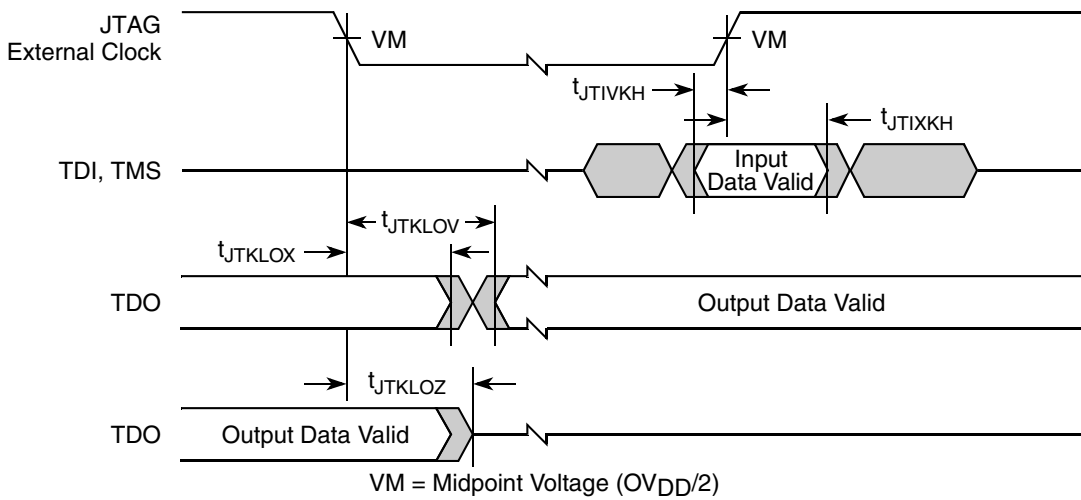


Figure 31. Test Access Port Timing Diagram

12 I²C

This section describes the DC and AC electrical characteristics for the I²C interface of the MPC8349EA.

12.1 I²C DC Electrical Characteristics

Table 42 provides the DC electrical characteristics for the I²C interface of the MPC8349EA.

Table 42. I²C DC Electrical Characteristics

At recommended operating conditions with OV_{DD} of $3.3\text{ V} \pm 10\%$.

| Parameter | Symbol | Min | Max | Unit | Notes |
|--|------------|-----------------------|----------------------|---------------|-------|
| Input high voltage level | V_{IH} | $0.7 \times OV_{DD}$ | $OV_{DD} + 0.3$ | V | — |
| Input low voltage level | V_{IL} | -0.3 | $0.3 \times OV_{DD}$ | V | — |
| Low level output voltage | V_{OL} | 0 | $0.2 \times OV_{DD}$ | V | 1 |
| Output fall time from $V_{IH}(\text{min})$ to $V_{IL}(\text{max})$ with a bus capacitance from 10 to 400 pF | t_{2KLV} | $20 + 0.1 \times C_B$ | 250 | ns | 2 |
| Pulse width of spikes which must be suppressed by the input filter | t_{2KHL} | 0 | 50 | ns | 3 |
| Input current each I/O pin (input voltage is between $0.1 \times OV_{DD}$ and $0.9 \times OV_{DD}(\text{max})$) | I_I | -10 | 10 | μA | 4 |
| Capacitance for each I/O pin | C_I | — | 10 | pF | — |

Notes:

1. Output voltage (open drain or open collector) condition = 3 mA sink current.
2. C_B = capacitance of one bus line in pF.
3. Refer to the *MPC8349EA Integrated Host Processor Family Reference Manual*, for information on the digital filter used.
4. I/O pins obstruct the SDA and SCL lines if OV_{DD} is switched off.

12.2 I²C AC Electrical Specifications

Table 43 provides the AC timing parameters for the I²C interface of the MPC8349EA. Note that all values refer to $V_{IH}(\text{min})$ and $V_{IL}(\text{max})$ levels (see Table 42).

Table 43. I²C AC Electrical Specifications

| Parameter | Symbol ¹ | Min | Max | Unit |
|--|---------------------|---------------------|-----------------------|---------------|
| SCL clock frequency | f_{I2C} | 0 | 400 | kHz |
| Low period of the SCL clock | t_{I2CL} | 1.3 | — | μs |
| High period of the SCL clock | t_{I2CH} | 0.6 | — | μs |
| Setup time for a repeated START condition | t_{I2SVKH} | 0.6 | — | μs |
| Hold time (repeated) START condition (after this period, the first clock pulse is generated) | t_{I2SXKL} | 0.6 | — | μs |
| Data setup time | t_{I2DVKH} | 100 | — | ns |
| Data hold time: CBUS compatible masters I ² C bus devices | t_{I2DXKL} | — 0 ² | — 0.9 ³ | μs |

Table 43. I²C AC Electrical Specifications (continued)

| Parameter | Symbol ¹ | Min | Max | Unit |
|---|---------------------|----------------------|-----|---------|
| Fall time of both SDA and SCL signals ⁵ | t_{I2CF} | — | 300 | ns |
| Setup time for STOP condition | t_{I2PVKH} | 0.6 | — | μ s |
| Bus free time between a STOP and START condition | t_{I2KHDX} | 1.3 | — | μ s |
| Noise margin at the LOW level for each connected device (including hysteresis) | V_{NL} | $0.1 \times OV_{DD}$ | — | V |
| Noise margin at the HIGH level for each connected device (including hysteresis) | V_{NH} | $0.2 \times OV_{DD}$ | — | V |

Notes:

1. The symbols for timing specifications follow the pattern of $t_{(first\ two\ letters\ of\ functional\ block)(signal)(state)(reference)(state)}$ for inputs and $t_{(first\ two\ letters\ of\ functional\ block)(reference)(state)(signal)(state)}$ for outputs. For example, t_{I2DVKH} symbolizes I²C timing (I2) with respect to the time data input signals (D) reach the valid state (V) relative to the t_{I2C} clock reference (K) going to the high (H) state or setup time. Also, t_{I2SXKL} symbolizes I²C timing (I2) for the time that the data with respect to the start condition (S) goes invalid (X) relative to the t_{I2C} clock reference (K) going to the low (L) state or hold time. Also, t_{I2PVKH} symbolizes I²C timing (I2) for the time that the data with respect to the stop condition (P) reaches the valid state (V) relative to the t_{I2C} clock reference (K) going to the high (H) state or setup time. For rise and fall times, the latter convention is used with the appropriate letter: R (rise) or F (fall).
2. The device provides a hold time of at least 300 ns for the SDA signal (referred to the $V_{IH(min)}$ of the SCL signal) to bridge the undefined region of the falling edge of SCL.
3. The maximum t_{I2DVKH} must be met only if the device does not stretch the LOW period (t_{I2CL}) of the SCL signal.
4. C_B = capacitance of one bus line in pF.
- 5.)The device does not follow the "I²C-BUS Specifications" version 2.1 regarding the t_{I2CF} AC parameter.

Figure 32 provides the AC test load for the I²C.

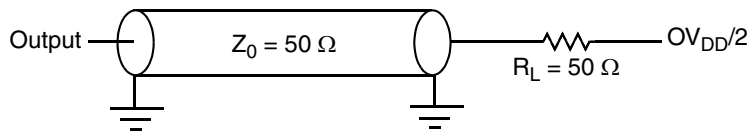


Figure 32. I²C AC Test Load

Figure 33 shows the AC timing diagram for the I²C bus.

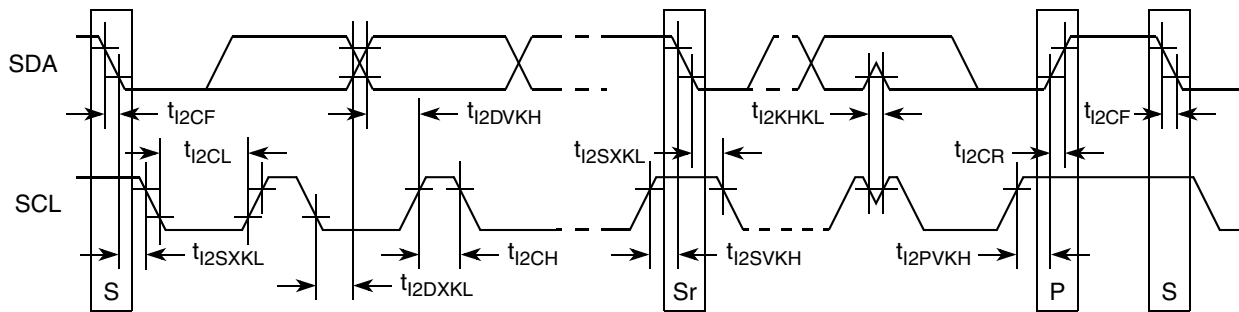


Figure 33. I²C Bus AC Timing Diagram

13 PCI

This section describes the DC and AC electrical specifications for the PCI bus of the MPC8349EA.

13.1 PCI DC Electrical Characteristics

Table 44 provides the DC electrical characteristics for the PCI interface of the MPC8349EA.

Table 44. PCI DC Electrical Characteristics

| Parameter | Symbol | Test Condition | Min | Max | Unit |
|---------------------------|----------|--|-----------------|-----------------|---------------|
| High-level input voltage | V_{IH} | $V_{OUT} \geq V_{OH} \text{ (min) or}$ | 2 | $OV_{DD} + 0.3$ | V |
| Low-level input voltage | V_{IL} | $V_{OUT} \leq V_{OL} \text{ (max)}$ | -0.3 | 0.8 | V |
| Input current | I_{IN} | $V_{IN}^1 = 0 \text{ V or } V_{IN} = OV_{DD}$ | — | ± 5 | μA |
| High-level output voltage | V_{OH} | $OV_{DD} = \text{min,}$ $I_{OH} = -100 \mu\text{A}$ | $OV_{DD} - 0.2$ | — | V |
| Low-level output voltage | V_{OL} | $OV_{DD} = \text{min,}$ $I_{OL} = 100 \mu\text{A}$ | — | 0.2 | V |

Note:

1. The symbol V_{IN} , in this case, represents the OV_{IN} symbol referenced in Table 1.

13.2 PCI AC Electrical Specifications

This section describes the general AC timing parameters of the PCI bus of the MPC8349EA. Note that the PCI_CLK or PCI_SYNC_IN signal is used as the PCI input clock depending on whether the device is configured as a host or agent device. Table 45 provides the PCI AC timing specifications at 66 MHz.

Table 45. PCI AC Timing Specifications at 66 MHz¹

| Parameter | Symbol ² | Min | Max | Unit | Notes |
|---|---------------------|-----|-----|--------|-------|
| Clock to output valid | t_{PCKHOV} | — | 6.0 | ns | 3 |
| Output hold from clock | t_{PCKHOX} | 1 | — | ns | 3 |
| Clock to output high impedance | t_{PCKHOZ} | — | 14 | ns | 3, 4 |
| Input setup to clock | t_{PCIVKH} | 3.0 | — | ns | 3, 5 |
| Input hold from clock | t_{PCIXKH} | 0 | — | ns | 3, 5 |
| $\overline{\text{REQ64}}$ to $\overline{\text{PORESET}}$ setup time | t_{PCRVRH} | 5 | — | clocks | 6 |

Table 45. PCI AC Timing Specifications at 66 MHz¹ (continued)

| Parameter | Symbol ² | Min | Max | Unit | Notes |
|--|---------------------|-----|-----|------|-------|
| $\overline{\text{PORESET}}$ to $\overline{\text{REQ64}}$ hold time | t_{PCRHRX} | 0 | 50 | ns | 6 |

Notes:

1. PCI timing depends on M66EN and the ratio between PCI1/PCI2. Refer to the PCI chapter of the reference manual for a description of M66EN.
2. The symbols for timing specifications follow the pattern of $t_{\text{(first two letters of functional block)(signal)(state)(reference)(state)}}$ for inputs and $t_{\text{(first two letters of functional block)(reference)(state)(signal)(state)}}$ for outputs. For example, t_{PCIVKH} symbolizes PCI timing (PC) with respect to the time the input signals (I) reach the valid state (V) relative to the PCI_SYNC_IN clock, t_{SYS} , reference (K) going to the high (H) state or setup time. Also, t_{PCRHEV} symbolizes PCI timing (PC) with respect to the time hard reset (R) went high (H) relative to the frame signal (F) going to the valid (V) state.
3. See the timing measurement conditions in the *PCI 2.3 Local Bus Specifications*.
4. For active/float timing measurements, the Hi-Z or off-state is defined to be when the total current delivered through the component pin is less than or equal to the leakage current specification.
5. Input timings are measured at the pin.
6. The setup and hold time is with respect to the rising edge of $\overline{\text{PORESET}}$.

Table 46 provides the PCI AC timing specifications at 33 MHz.

Table 46. PCI AC Timing Specifications at 33 MHz

| Parameter | Symbol ¹ | Min | Max | Unit | Notes |
|---|---------------------|-----|-----|--------|-------|
| Clock to output valid | t_{PCKHOV} | — | 11 | ns | 2 |
| Output hold from clock | t_{PCKHOX} | 2 | — | ns | 2 |
| Clock to output high impedance | t_{PCKHOZ} | — | 14 | ns | 2, 3 |
| Input setup to clock | t_{PCIVKH} | 3.0 | — | ns | 2, 4 |
| Input hold from clock | t_{PCIXKH} | 0 | — | ns | 2, 4 |
| $\overline{\text{REQ64}}$ to $\overline{\text{PORESET}}$ setup time | t_{PCRVRH} | 5 | — | clocks | 5 |
| $\overline{\text{PORESET}}$ to $\overline{\text{REQ64}}$ hold time | t_{PCRHRX} | 0 | 50 | ns | 5 |

Notes:

1. The symbols for timing specifications follow the pattern of $t_{\text{(first two letters of functional block)(signal)(state)(reference)(state)}}$ for inputs and $t_{\text{(first two letters of functional block)(reference)(state)(signal)(state)}}$ for outputs. For example, t_{PCIVKH} symbolizes PCI timing (PC) with respect to the time the input signals (I) reach the valid state (V) relative to the PCI_SYNC_IN clock, t_{SYS} , reference (K) going to the high (H) state or setup time. Also, t_{PCRHEV} symbolizes PCI timing (PC) with respect to the time hard reset (R) went high (H) relative to the frame signal (F) going to the valid (V) state.
2. See the timing measurement conditions in the *PCI 2.3 Local Bus Specifications*.
3. For active/float timing measurements, the Hi-Z or off-state is defined to be when the total current delivered through the component pin is less than or equal to the leakage current specification.
4. Input timings are measured at the pin.
5. The setup and hold time is with respect to the rising edge of $\overline{\text{PORESET}}$.

Figure 34 provides the AC test load for PCI.

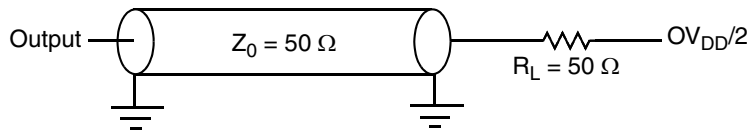


Figure 34. PCI AC Test Load

Figure 35 shows the PCI input AC timing diagram.

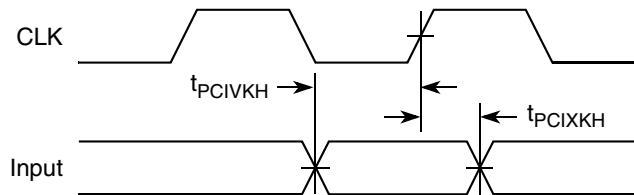


Figure 35. PCI Input AC Timing Diagram

Figure 36 shows the PCI output AC timing diagram.

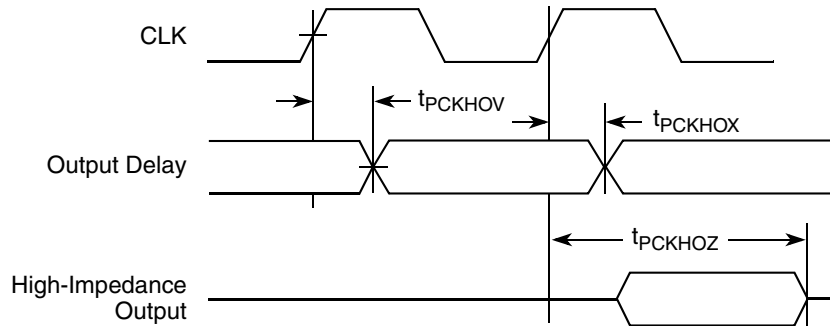


Figure 36. PCI Output AC Timing Diagram

14 Timers

This section describes the DC and AC electrical specifications for the timers.

14.1 Timer DC Electrical Characteristics

Table 47 provides the DC electrical characteristics for the MPC8349EA timer pins, including T_{IN} , \overline{TOUT} , \overline{TGATE} , and RTC_CLK .

Table 47. Timer DC Electrical Characteristics

| Parameter | Symbol | Condition | Min | Max | Unit |
|---------------------|----------|----------------------------|------|-----------------|---------|
| Input high voltage | V_{IH} | — | 2.0 | $OV_{DD} + 0.3$ | V |
| Input low voltage | V_{IL} | — | -0.3 | 0.8 | V |
| Input current | I_{IN} | — | — | ± 5 | μA |
| Output high voltage | V_{OH} | $I_{OH} = -8.0 \text{ mA}$ | 2.4 | — | V |

Table 47. Timer DC Electrical Characteristics (continued)

| Parameter | Symbol | Condition | Min | Max | Unit |
|--------------------|----------|---------------------------|-----|-----|------|
| Output low voltage | V_{OL} | $I_{OL} = 8.0 \text{ mA}$ | — | 0.5 | V |
| Output low voltage | V_{OL} | $I_{OL} = 3.2 \text{ mA}$ | — | 0.4 | V |

14.2 Timer AC Timing Specifications

Table 48 provides the timer input and output AC timing specifications.

Table 48. Timers Input AC Timing Specifications¹

| Parameter | Symbol ² | Min | Unit |
|-----------------------------------|---------------------|-----|------|
| Timers inputs—minimum pulse width | t_{TIWID} | 20 | ns |

Notes:

1. Input specifications are measured from the 50 percent level of the signal to the 50 percent level of the rising edge of CLKIN. Timings are measured at the pin.
2. Timer inputs and outputs are asynchronous to any visible clock. Timer outputs should be synchronized before use by external synchronous logic. Timer inputs are required to be valid for at least t_{TIWID} ns to ensure proper operation.

15 GPIO

This section describes the DC and AC electrical specifications for the GPIO.

15.1 GPIO DC Electrical Characteristics

Table 49 provides the DC electrical characteristics for the MPC8349EA GPIO.

Table 49. GPIO DC Electrical Characteristics

| Parameter | Symbol | Condition | Min | Max | Unit |
|---------------------|----------|----------------------------|------|-----------------|------|
| Input high voltage | V_{IH} | — | 2.0 | $OV_{DD} + 0.3$ | V |
| Input low voltage | V_{IL} | — | -0.3 | 0.8 | V |
| Input current | I_{IN} | — | — | ±5 | μA |
| Output high voltage | V_{OH} | $I_{OH} = -8.0 \text{ mA}$ | 2.4 | — | V |
| Output low voltage | V_{OL} | $I_{OL} = 8.0 \text{ mA}$ | — | 0.5 | V |
| Output low voltage | V_{OL} | $I_{OL} = 3.2 \text{ mA}$ | — | 0.4 | V |

15.2 GPIO AC Timing Specifications

Table 50 provides the GPIO input and output AC timing specifications.

Table 50. GPIO Input AC Timing Specifications¹

| Parameter | Symbol ² | Min | Unit |
|---------------------------------|---------------------|-----|------|
| GPIO inputs—minimum pulse width | t_{PIWID} | 20 | ns |

Notes:

1. Input specifications are measured from the 50 percent level of the signal to the 50 percent level of the rising edge of CLKIN. Timings are measured at the pin.
2. GPIO inputs and outputs are asynchronous to any visible clock. GPIO outputs should be synchronized before use by external synchronous logic. GPIO inputs must be valid for at least t_{PIWID} ns to ensure proper operation.

16 IPIC

This section describes the DC and AC electrical specifications for the external interrupt pins.

16.1 IPIC DC Electrical Characteristics

Table 51 provides the DC electrical characteristics for the external interrupt pins.

Table 51. IPIC DC Electrical Characteristics¹

| Parameter | Symbol | Condition | Min | Max | Unit | Notes |
|--------------------|----------|-------------------|------|-----------------|------|-------|
| Input high voltage | V_{IH} | — | 2.0 | $OV_{DD} + 0.3$ | V | — |
| Input low voltage | V_{IL} | — | -0.3 | 0.8 | V | — |
| Input current | I_{IN} | — | — | ±5 | μA | — |
| Output low voltage | V_{OL} | $I_{OL} = 8.0$ mA | — | 0.5 | V | 2 |
| Output low voltage | V_{OL} | $I_{OL} = 3.2$ mA | — | 0.4 | V | 2 |

Notes:

1. This table applies for pins $\overline{IRQ}[0:7]$, $\overline{IRQ_OUT}$, and $\overline{MCP_OUT}$.
2. $\overline{IRQ_OUT}$ and $\overline{MCP_OUT}$ are open-drain pins; thus V_{OH} is not relevant for those pins.

16.2 IPIC AC Timing Specifications

Table 52 provides the IPIC input and output AC timing specifications.

Table 52. IPIC Input AC Timing Specifications¹

| Parameter | Symbol ² | Min | Unit |
|---------------------------------|---------------------|-----|------|
| IPIC inputs—minimum pulse width | t_{PICWID} | 20 | ns |

Notes:

1. Input specifications are measured at the 50 percent level of the IPIC input signals. Timings are measured at the pin.
2. IPIC inputs and outputs are asynchronous to any visible clock. IPIC outputs should be synchronized before use by external synchronous logic. IPIC inputs must be valid for at least t_{PICWID} ns to ensure proper operation in edge triggered mode.

17 SPI

This section describes the SPI DC and AC electrical specifications.

17.1 SPI DC Electrical Characteristics

Table 53 provides the SPI DC electrical characteristics.

Table 53. SPI DC Electrical Characteristics

| Parameter | Symbol | Condition | Min | Max | Unit |
|---------------------|----------|----------------------------|------|-----------------|---------|
| Input high voltage | V_{IH} | — | 2.0 | $OV_{DD} + 0.3$ | V |
| Input low voltage | V_{IL} | — | -0.3 | 0.8 | V |
| Input current | I_{IN} | — | — | ± 5 | μA |
| Output high voltage | V_{OH} | $I_{OH} = -8.0 \text{ mA}$ | 2.4 | — | V |
| Output low voltage | V_{OL} | $I_{OL} = 8.0 \text{ mA}$ | — | 0.5 | V |
| Output low voltage | V_{OL} | $I_{OL} = 3.2 \text{ mA}$ | — | 0.4 | V |

17.2 SPI AC Timing Specifications

Table 54 provides the SPI input and output AC timing specifications.

Table 54. SPI AC Timing Specifications¹

| Parameter | Symbol ² | Min | Max | Unit |
|--|---------------------|-----|-----|------|
| SPI outputs valid—Master mode (internal clock) delay | t_{NIKHOV} | — | 6 | ns |
| SPI outputs hold—Master mode (internal clock) delay | t_{NIKHOX} | 0.5 | — | ns |
| SPI outputs valid—Slave mode (external clock) delay | t_{NEKHOV} | — | 8 | ns |
| SPI outputs hold—Slave mode (external clock) delay | t_{NEKHOX} | 2 | — | ns |
| SPI inputs—Master mode (internal clock input setup time) | t_{NIIVKH} | 4 | — | ns |
| SPI inputs—Master mode (internal clock input hold time) | t_{NIIXKH} | 0 | — | ns |
| SPI inputs—Slave mode (external clock) input setup time | t_{NEIVKH} | 4 | — | ns |
| SPI inputs—Slave mode (external clock) input hold time | t_{NEIXKH} | 2 | — | ns |

Notes:

- Output specifications are measured from the 50 percent level of the rising edge of CLKIN to the 50 percent level of the signal. Timings are measured at the pin.
- The symbols for timing specifications follow the pattern of $t_{(\text{first two letters of functional block})(\text{signal})(\text{state})(\text{reference})(\text{state})}$ for inputs and $t_{(\text{first two letters of functional block})(\text{reference})(\text{state})(\text{signal})(\text{state})}$ for outputs. For example, t_{NIKHOX} symbolizes the internal timing (NI) for the time SPICLK clock reference (K) goes to the high state (H) until outputs (O) are invalid (X).

Figure 37 provides the AC test load for the SPI.

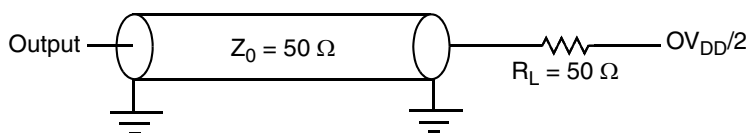
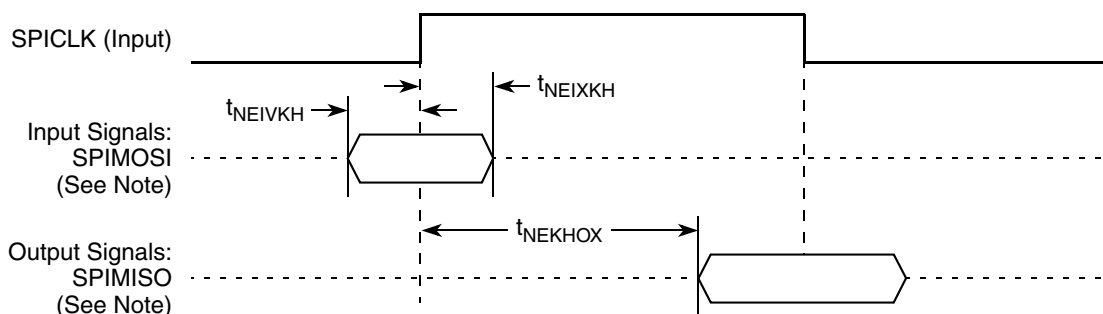


Figure 37. SPI AC Test Load

Figure 38 and Figure 39 represent the AC timings from Table 54. Note that although the specifications generally reference the rising edge of the clock, these AC timing diagrams also apply when the falling edge is the active edge.

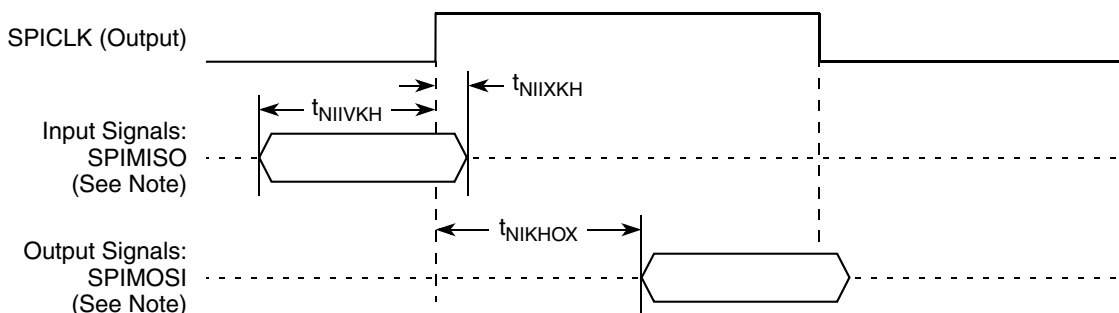
Figure 38 shows the SPI timings in slave mode (external clock).



Note: The clock edge is selectable on SPI.

Figure 38. SPI AC Timing in Slave Mode (External Clock) Diagram

Figure 39 shows the SPI timings in master mode (internal clock).



Note: The clock edge is selectable on SPI.

Figure 39. SPI AC Timing in Master Mode (Internal Clock) Diagram

18 Package and Pin Listings

This section details package parameters, pin assignments, and dimensions. The MPC8349EA is available in a tape ball grid array (TBGA). See Section 18.1, “Package Parameters for the MPC8349EA TBGA” and Section 18.2, “Mechanical Dimensions for the MPC8349EA TBGA.”

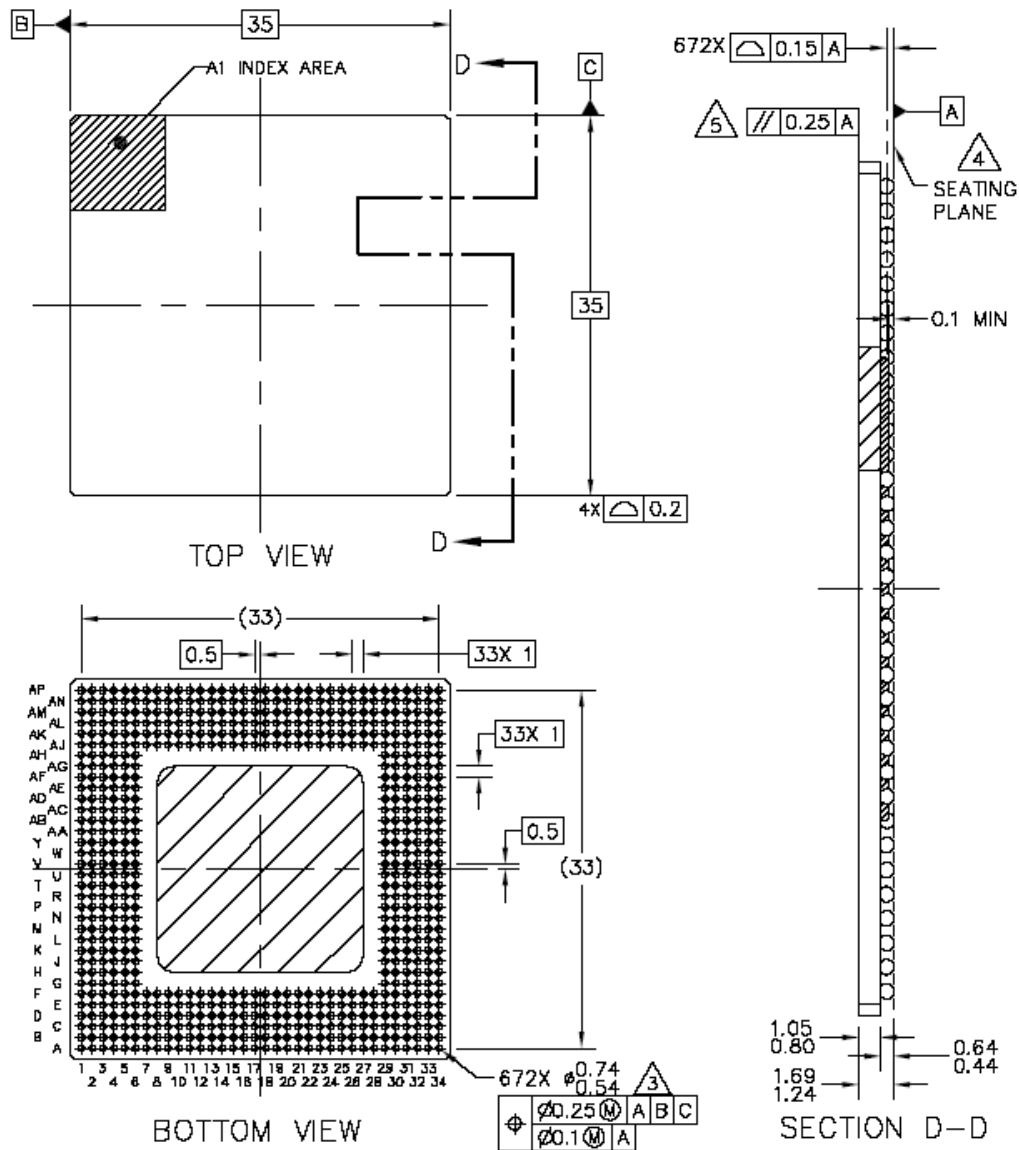
18.1 Package Parameters for the MPC8349EA TBGA

The package parameters are provided in the following list. The package type is 35 mm × 35 mm, 672 tape ball grid array (TBGA).

| | |
|-------------------------|---|
| Package outline | 35 mm × 35 mm |
| Interconnects | 672 |
| Pitch | 1.00 mm |
| Module height (typical) | 1.46 mm |
| Solder balls | 62 Sn/36 Pb/2 Ag (ZU package) 96.5 Sn/3.5Ag (VV package) |
| Ball diameter (typical) | 0.64 mm |

18.2 Mechanical Dimensions for the MPC8349EA TBGA

Figure 40 shows the mechanical dimensions and bottom surface nomenclature for the MPC8349EA, 672-TBGA package.



Notes:

1. All dimensions are in millimeters.
2. Dimensions and tolerances per ASME Y14.5M-1994.
3. Maximum solder ball diameter measured parallel to datum A.
4. Datum A, the seating plane, is determined by the spherical crowns of the solder balls.
5. Parallelism measurement must exclude any effect of mark on top surface of package.

Figure 40. Mechanical Dimensions and Bottom Surface Nomenclature for the MPC8349EA TBGA

18.3 Pinout Listings

Table 55 provides the pin-out listing for the MPC8349EA, 672 TBGA package.

Table 55. MPC8349EA (TBGA) Pinout Listing

| Signal | Package Pin Number | Pin Type | Power Supply | Notes |
|---|--|----------|------------------|-------|
| PCI1 and PCI2 (One 64-Bit or Two 32-Bit) | | | | |
| PCI1_INTA/IRQ_OUT | B34 | O | OV _{DD} | 2 |
| PCI1_RESET_OUT | C33 | O | OV _{DD} | — |
| PCI1_AD[31:0] | G30, G32, G34, H31, H32, H33, H34, J29, J32, J33, L30, K31, K33, K34, L33, L34, P34, R29, R30, R33, R34, T31, T32, T33, U31, U34, V31, V32, V33, V34, W33, W34 | I/O | OV _{DD} | — |
| PCI1_C/ $\overline{\text{BE}}$ [3:0] | J30, M31, P33, T34 | I/O | OV _{DD} | — |
| PCI1_PAR | P32 | I/O | OV _{DD} | — |
| $\overline{\text{PCI1_FRAME}}$ | M32 | I/O | OV _{DD} | 5 |
| $\overline{\text{PCI1_TRDY}}$ | N29 | I/O | OV _{DD} | 5 |
| $\overline{\text{PCI1_IRDY}}$ | M34 | I/O | OV _{DD} | 5 |
| $\overline{\text{PCI1_STOP}}$ | N31 | I/O | OV _{DD} | 5 |
| $\overline{\text{PCI1_DEVSEL}}$ | N30 | I/O | OV _{DD} | 5 |
| PCI1_IDSEL | J31 | I | OV _{DD} | — |
| $\overline{\text{PCI1_SERR}}$ | N34 | I/O | OV _{DD} | 5 |
| $\overline{\text{PCI1_PERR}}$ | N33 | I/O | OV _{DD} | 5 |
| $\overline{\text{PCI1_REQ}}[0]$ | D32 | I/O | OV _{DD} | — |
| $\overline{\text{PCI1_REQ}}[1]/\text{CPCI1_HS_ES}$ | D34 | I | OV _{DD} | — |
| $\overline{\text{PCI1_REQ}}[2:4]$ | E34, F32, G29 | I | OV _{DD} | — |
| $\overline{\text{PCI1_GNT0}}$ | C34 | I/O | OV _{DD} | — |
| $\overline{\text{PCI1_GNT1}}/\text{CPCI1_HS_LED}$ | D33 | O | OV _{DD} | — |
| $\overline{\text{PCI1_GNT2}}/\text{CPCI1_HS_ENUM}$ | E33 | O | OV _{DD} | — |
| $\overline{\text{PCI1_GNT}}[3:4]$ | F31, F33 | O | OV _{DD} | — |
| $\overline{\text{PCI2_RESET_OUT}}/\text{GPIO2}[0]$ | W32 | I/O | OV _{DD} | — |
| PCI2_AD[31:0]/PCI1[63:32] | AA33, AA34, AB31, AB32, AB33, AB34, AC29, AC31, AC33, AC34, AD30, AD32, AD33, AD34, AE29, AE30, AH32, AH33, AH34, AM33, AJ31, AJ32, AJ33, AJ34, AK32, AK33, AK34, AM34, AL33, AL34, AK31, AH30 | I/O | OV _{DD} | — |
| PCI2_C/ $\overline{\text{BE}}$ [3:0]/PCI1_C/ $\overline{\text{BE}}$ [7:4] | AC32, AE32, AH31, AL32 | I/O | OV _{DD} | — |
| PCI2_PAR/PCI1_PAR64 | AG34 | I/O | OV _{DD} | — |

Table 55. MPC8349EA (TBGA) Pinout Listing (continued)

| Signal | Package Pin Number | Pin Type | Power Supply | Notes |
|--|--|----------|-------------------------|-------|
| $\overline{\text{PCI2_FRAME}}$ /GPIO2[1] | AE33 | I/O | OV_{DD} | 5 |
| $\overline{\text{PCI2_TRDY}}$ /GPIO2[2] | AF32 | I/O | OV_{DD} | 5 |
| $\overline{\text{PCI2_IRDY}}$ /GPIO2[3] | AE34 | I/O | OV_{DD} | 5 |
| $\overline{\text{PCI2_STOP}}$ /GPIO2[4] | AF34 | I/O | OV_{DD} | 5 |
| $\overline{\text{PCI2_DEVSEL}}$ /GPIO2[5] | AF33 | I/O | OV_{DD} | 5 |
| $\overline{\text{PCI2_SERR}}$ / $\overline{\text{PCI1_ACK64}}$ | AG33 | I/O | OV_{DD} | 5 |
| $\overline{\text{PCI2_PERR}}$ / $\overline{\text{PCI1_REQ64}}$ | AG32 | I/O | OV_{DD} | 5 |
| $\overline{\text{PCI2_REQ}}[0:2]$ /GPIO2[6:8] | Y32, Y34, AA32 | I/O | OV_{DD} | — |
| $\overline{\text{PCI2_GNT}}[0:2]$ /GPIO2[9:11] | Y31, Y33, AA31 | I/O | OV_{DD} | — |
| M66EN | A19 | I | OV_{DD} | — |
| DDR SDRAM Memory Interface | | | | |
| MDQ[0:63] | D5, A3, C3, D3, C4, B3, C2, D4, D2, E5, G2, H6, E4, F3, G4, G3, H1, J2, L6, M6, H2, K6, L2, M4, N2, P4, R2, T4, P6, P3, R1, T2, AB5, AA3, AD6, AE4, AB4, AC2, AD3, AE6, AE3, AG4, AK5, AK4, AE2, AG6, AK3, AK2, AL2, AL1, AM5, AP5, AM2, AN1, AP4, AN5, AJ7, AN7, AM8, AJ9, AP6, AL7, AL9, AN8 | I/O | GV_{DD} | — |
| MECC[0:4]/MSRCID[0:4] | W4, W3, Y3, AA6, T1 | I/O | GV_{DD} | — |
| MECC[5]/MDVAL | U1 | I/O | GV_{DD} | — |
| MECC[6:7] | Y1, Y6 | I/O | GV_{DD} | — |
| MDM[0:8] | B1, F1, K1, R4, AD4, AJ1, AP3, AP7, Y4 | O | GV_{DD} | — |
| MDQS[0:8] | B2, F5, J1, P2, AC1, AJ2, AN4, AL8, W2 | I/O | GV_{DD} | — |
| MBA[0:1] | AD1, AA5 | O | GV_{DD} | — |
| MA[0:14] | W1, U4, T3, R3, P1, M1, N1, L3, L1, K2, Y2, K3, J3, AP2, AN6 | O | GV_{DD} | — |
| $\overline{\text{MWE}}$ | AF1 | O | GV_{DD} | — |
| $\overline{\text{MRAS}}$ | AF4 | O | GV_{DD} | — |
| $\overline{\text{MCAS}}$ | AG3 | O | GV_{DD} | — |
| $\overline{\text{MCS}}[0:3]$ | AG2, AG1, AK1, AL4 | O | GV_{DD} | — |
| MCKE[0:1] | H3, G1 | O | GV_{DD} | 3 |
| MCK[0:5] | U2, F4, AM3, V3, F2, AN3 | O | GV_{DD} | — |
| $\overline{\text{MCK}}[0:5]$ | U3, E3, AN2, V4, E1, AM4 | O | GV_{DD} | — |
| MODT[0:3] | AH3, AJ5, AH1, AJ4 | O | GV_{DD} | — |

Table 55. MPC8349EA (TBGA) Pinout Listing (continued)

| Signal | Package Pin Number | Pin Type | Power Supply | Notes |
|---|--|----------|------------------|-------|
| MBA[2] | H4 | O | GV _{DD} | — |
| MDIC0 | AB1 | I/O | — | 9 |
| MDIC1 | AA1 | I/O | — | 9 |
| Local Bus Controller Interface | | | | |
| LAD[0:31] | AM13, AP13, AL14, AM14, AN14, AP14, AK15, AJ15, AM15, AN15, AP15, AM16, AL16, AN16, AP16, AL17, AM17, AP17, AK17, AP18, AL18, AM18, AN18, AP19, AN19, AM19, AP20, AK19, AN20, AL20, AP21, AN21 | I/O | OV _{DD} | — |
| LDP[0]/ $\overline{\text{CKSTOP_OUT}}$ | AM21 | I/O | OV _{DD} | — |
| LDP[1]/ $\overline{\text{CKSTOP_IN}}$ | AP22 | I/O | OV _{DD} | — |
| LDP[2]/ $\overline{\text{LCS}}[4]$ | AN22 | I/O | OV _{DD} | — |
| LDP[3]/ $\overline{\text{LCS}}[5]$ | AM22 | I/O | OV _{DD} | — |
| LA[27:31] | AK21, AP23, AN23, AP24, AK22 | O | OV _{DD} | — |
| $\overline{\text{LCS}}[0:3]$ | AN24, AL23, AP25, AN25 | O | OV _{DD} | — |
| $\overline{\text{LWE}}[0:3]/\overline{\text{LSDDQM}}[0:3]/\overline{\text{LBS}}[0:3]$ | AK23, AP26, AL24, AM25 | O | OV _{DD} | — |
| LBCTL | AN26 | O | OV _{DD} | — |
| LALE | AK24 | O | OV _{DD} | — |
| LGPL0/LSDA10/cfg_reset_source0 | AP27 | I/O | OV _{DD} | — |
| LGPL1/ $\overline{\text{LSDWE}}$ /cfg_reset_source1 | AL25 | I/O | OV _{DD} | — |
| LGPL2/ $\overline{\text{LSDRAS/LOE}}$ | AJ24 | O | OV _{DD} | — |
| LGPL3/ $\overline{\text{LSDCAS}}$ /cfg_reset_source2 | AN27 | I/O | OV _{DD} | — |
| LGPL4/ $\overline{\text{LGTA/LUPWAIT/LPBSE}}$ | AP28 | I/O | OV _{DD} | 12 |
| LGPL5/cfg_clkin_div | AL26 | I/O | OV _{DD} | — |
| LCKE | AM27 | O | OV _{DD} | — |
| LCLK[0:2] | AN28, AK26, AP29 | O | OV _{DD} | — |
| LSYNC_OUT | AM12 | O | OV _{DD} | — |
| LSYNC_IN | AJ10 | I | OV _{DD} | — |
| General Purpose I/O Timers | | | | |
| GPIO1[0]/ $\overline{\text{DMA_DREQ0/GTM1_TIN1/GTM2_TIN2}}$ | F24 | I/O | OV _{DD} | — |
| GPIO1[1]/ $\overline{\text{DMA_DACK0/GTM1_TGATE1/GTM2_TGATE2}}$ | E24 | I/O | OV _{DD} | — |

Table 55. MPC8349EA (TBGA) Pinout Listing (continued)

| Signal | Package Pin Number | Pin Type | Power Supply | Notes |
|---|--------------------|----------|------------------|-------|
| GPIO1[2]/DMA_DDONE0/ GTM1_TOUT1 | B25 | I/O | OV _{DD} | — |
| GPIO1[3]/DMA_DREQ1/GTM1_TIN2/ GTM2_TIN1 | D24 | I/O | OV _{DD} | — |
| GPIO1[4]/DMA_DACK1/ GTM1_TGATE2/GTM2_TGATE1 | A25 | I/O | OV _{DD} | — |
| GPIO1[5]/DMA_DDONE1/ GTM1_TOUT2/GTM2_TOUT1 | B24 | I/O | OV _{DD} | — |
| GPIO1[6]/DMA_DREQ2/GTM1_TIN3/ GTM2_TIN4 | A24 | I/O | OV _{DD} | — |
| GPIO1[7]/DMA_DACK2/ GTM1_TGATE3/GTM2_TGATE4 | D23 | I/O | OV _{DD} | — |
| GPIO1[8]/DMA_DDONE2/ GTM1_TOUT3 | B23 | I/O | OV _{DD} | — |
| GPIO1[9]/DMA_DREQ3/GTM1_TIN4/ GTM2_TIN3 | A23 | I/O | OV _{DD} | — |
| GPIO1[10]/DMA_DACK3/ GTM1_TGATE4/GTM2_TGATE3 | F22 | I/O | OV _{DD} | — |
| GPIO1[11]/DMA_DDONE3/ GTM1_TOUT4/GTM2_TOUT3 | E22 | I/O | OV _{DD} | — |
| USB Port 1 | | | | |
| MPH1_D0_ENABLEN/ DR_D0_ENABLEN | A26 | I/O | OV _{DD} | — |
| MPH1_D1_SER_TXD/ DR_D1_SER_TXD | B26 | I/O | OV _{DD} | — |
| MPH1_D2_VMO_SE0/ DR_D2_VMO_SE0 | D25 | I/O | OV _{DD} | — |
| MPH1_D3_SPEED/DR_D3_SPEED | A27 | I/O | OV _{DD} | — |
| MPH1_D4_DP/DR_D4_DP | B27 | I/O | OV _{DD} | — |
| MPH1_D5_DM/DR_D5_DM | C27 | I/O | OV _{DD} | — |
| MPH1_D6_SER_RCV/ DR_D6_SER_RCV | D26 | I/O | OV _{DD} | — |
| MPH1_D7_DRVVBUS/ DR_D7_DRVVBUS | E26 | I/O | OV _{DD} | — |
| MPH1_NXT/DR_SESS_VLD_NXT | D27 | I | OV _{DD} | — |
| MPH1_DIR_DPPULLUP/ DR_XCVR_SEL_DPPULLUP | A28 | I/O | OV _{DD} | — |
| MPH1_STP_SUSPEND/ DR_STP_SUSPEND | F26 | O | OV _{DD} | — |

Table 55. MPC8349EA (TBGA) Pinout Listing (continued)

| Signal | Package Pin Number | Pin Type | Power Supply | Notes |
|--|-------------------------|----------|-------------------|-------|
| MPH1_PWRFAULT/ DR_RX_ERROR_PWRFAULT | E27 | I | OV _{DD} | — |
| MPH1_PCTL0/DR_TX_VALID_PCTL0 | A29 | O | OV _{DD} | — |
| MPH1_PCTL1/DR_TX_VALIDH_PCTL1 | D28 | O | OV _{DD} | — |
| MPH1_CLK/DR_CLK | B29 | I | OV _{DD} | — |
| USB Port 0 | | | | |
| MPH0_D0_ENABLEN/ DR_D8_CHGVBUS | C29 | I/O | OV _{DD} | — |
| MPH0_D1_SER_TXD/ DR_D9_DCHGVBUS | A30 | I/O | OV _{DD} | — |
| MPH0_D2_VMO_SE0/DR_D10_DPPD | E28 | I/O | OV _{DD} | — |
| MPH0_D3_SPEED/DR_D11_DMMD | B30 | I/O | OV _{DD} | — |
| MPH0_D4_DP/DR_D12_VBUS_VLD | C30 | I/O | OV _{DD} | — |
| MPH0_D5_DM/DR_D13_SESS_END | A31 | I/O | OV _{DD} | — |
| MPH0_D6_SER_RCV/DR_D14 | B31 | I/O | OV _{DD} | — |
| MPH0_D7_DRVVBUS/ DR_D15_IDPULLUP | C31 | I/O | OV _{DD} | — |
| MPH0_NXT/DR_RX_ACTIVE_ID | B32 | I | OV _{DD} | — |
| MPH0_DIR_DPPULLUP/DR_RESET | A32 | I/O | OV _{DD} | — |
| MPH0_STP_SUSPEND/ DR_TX_READY | A33 | I/O | OV _{DD} | — |
| MPH0_PWRFAULT/DR_RX_VALIDH | C32 | I | OV _{DD} | — |
| MPH0_PCTL0/DR_LINE_STATE0 | D31 | I/O | OV _{DD} | — |
| MPH0_PCTL1/DR_LINE_STATE1 | E30 | I/O | OV _{DD} | — |
| MPH0_CLK/DR_RX_VALID | B33 | I | OV _{DD} | — |
| Programmable Interrupt Controller | | | | |
| MCP_OUT | AN33 | O | OV _{DD} | 2 |
| IRQ0/MCP_IN/GPIO2[12] | C19 | I/O | OV _{DD} | — |
| IRQ[1:5]/GPIO2[13:17] | C22, A22, D21, C21, B21 | I/O | OV _{DD} | — |
| IRQ[6]/GPIO2[18]/CKSTOP_OUT | A21 | I/O | OV _{DD} | — |
| IRQ[7]/GPIO2[19]/CKSTOP_IN | C20 | I/O | OV _{DD} | — |
| Ethernet Management Interface | | | | |
| EC_MDC | A7 | O | LV _{DD1} | — |
| EC_MDIO | E9 | I/O | LV _{DD1} | 11 |

Table 55. MPC8349EA (TBGA) Pinout Listing (continued)

| Signal | Package Pin Number | Pin Type | Power Supply | Notes |
|---|--------------------|----------|-------------------|-------|
| Gigabit Reference Clock | | | | |
| EC_GTX_CLK125 | C8 | I | LV _{DD1} | — |
| Three-Speed Ethernet Controller (Gigabit Ethernet 1) | | | | |
| TSEC1_COL/GPIO2[20] | A17 | I/O | OV _{DD} | — |
| TSEC1_CRS/GPIO2[21] | F12 | I/O | LV _{DD1} | — |
| TSEC1_GTX_CLK | D10 | O | LV _{DD1} | 3 |
| TSEC1_RX_CLK | A11 | I | LV _{DD1} | — |
| TSEC1_RX_DV | B11 | I | LV _{DD1} | — |
| TSEC1_RX_ER/GPIO2[26] | B17 | I/O | OV _{DD} | — |
| TSEC1_RXD[7:4]/GPIO2[22:25] | B16, D16, E16, F16 | I/O | OV _{DD} | — |
| TSEC1_RXD[3:0] | E10, A8, F10, B8 | I | LV _{DD1} | — |
| TSEC1_TX_CLK | D17 | I | OV _{DD} | — |
| TSEC1_TXD[7:4]/GPIO2[27:30] | A15, B15, A14, B14 | I/O | OV _{DD} | — |
| TSEC1_TXD[3:0] | A10, E11, B10, A9 | O | LV _{DD1} | 10 |
| TSEC1_TX_EN | B9 | O | LV _{DD1} | — |
| TSEC1_TX_ER/GPIO2[31] | A16 | I/O | OV _{DD} | — |
| Three-Speed Ethernet Controller (Gigabit Ethernet 2) | | | | |
| TSEC2_COL/GPIO1[21] | C14 | I/O | OV _{DD} | — |
| TSEC2_CRS/GPIO1[22] | D6 | I/O | LV _{DD2} | — |
| TSEC2_GTX_CLK | A4 | O | LV _{DD2} | — |
| TSEC2_RX_CLK | B4 | I | LV _{DD2} | — |
| TSEC2_RX_DV/GPIO1[23] | E6 | I/O | LV _{DD2} | — |
| TSEC2_RXD[7:4]/GPIO1[26:29] | A13, B13, C13, A12 | I/O | OV _{DD} | — |
| TSEC2_RXD[3:0]/GPIO1[13:16] | D7, A6, E8, B7 | I/O | LV _{DD2} | — |
| TSEC2_RX_ER/GPIO1[25] | D14 | I/O | OV _{DD} | — |
| TSEC2_TXD[7]/GPIO1[31] | B12 | I/O | OV _{DD} | — |
| TSEC2_TXD[6]/ DR_XCVR_TERM_SEL | C12 | O | OV _{DD} | — |
| TSEC2_TXD[5]/ DR_UTMI_OPMODE1 | D12 | O | OV _{DD} | — |
| TSEC2_TXD[4]/ DR_UTMI_OPMODE0 | E12 | O | OV _{DD} | — |
| TSEC2_TXD[3:0]/GPIO1[17:20] | B5, A5, F8, B6 | I/O | LV _{DD2} | — |

Table 55. MPC8349EA (TBGA) Pinout Listing (continued)

| Signal | Package Pin Number | Pin Type | Power Supply | Notes |
|---|--------------------|----------|-------------------|-------|
| TSEC2_TX_ER/GPIO1[24] | F14 | I/O | OV _{DD} | — |
| TSEC2_TX_EN/GPIO1[12] | C5 | I/O | LV _{DD2} | — |
| TSEC2_TX_CLK/GPIO1[30] | E14 | I/O | OV _{DD} | — |
| UART | | | | |
| UART_SOUT[1:2]/MSRCID[0:1]/LSRCID[0:1] | AK27, AN29 | O | OV _{DD} | — |
| UART_SIN[1:2]/MSRCID[2:3]/LSRCID[2:3] | AL28, AM29 | I/O | OV _{DD} | — |
| UART_CTS[1]/MSRCID4/LSRCID4 | AP30 | I/O | OV _{DD} | — |
| UART_CTS[2]/MDVAL/ LDVAL | AN30 | I/O | OV _{DD} | — |
| UART_RTS[1:2] | AP31, AM30 | O | OV _{DD} | — |
| I²C interface | | | | |
| IIC1_SDA | AK29 | I/O | OV _{DD} | 2 |
| IIC1_SCL | AP32 | I/O | OV _{DD} | 2 |
| IIC2_SDA | AN31 | I/O | OV _{DD} | 2 |
| IIC2_SCL | AM31 | I/O | OV _{DD} | 2 |
| SPI | | | | |
| SPIMOSI/ $\overline{\text{LCS}}$ [6] | AN32 | I/O | OV _{DD} | — |
| SPIMISO/ $\overline{\text{LCS}}$ [7] | AP33 | I/O | OV _{DD} | — |
| SPICLK | AK30 | I/O | OV _{DD} | — |
| SPISEL | AL31 | I | OV _{DD} | — |
| Clocks | | | | |
| PCI_CLK_OUT[0:2] | AN9, AP9, AM10, | O | OV _{DD} | — |
| PCI_CLK_OUT[3]/ $\overline{\text{LCS}}$ [6] | AN10 | O | OV _{DD} | — |
| PCI_CLK_OUT[4]/ $\overline{\text{LCS}}$ [7] | AJ11 | O | OV _{DD} | — |
| PCI_CLK_OUT[5:7] | AP10, AL11, AM11 | O | OV _{DD} | — |
| PCI_SYNC_IN/PCI_CLOCK | AK12 | I | OV _{DD} | — |
| PCI_SYNC_OUT | AP11 | O | OV _{DD} | 3 |
| RTC/PIT_CLOCK | AM32 | I | OV _{DD} | — |
| CLKIN | AM9 | I | OV _{DD} | — |
| JTAG | | | | |
| TCK | E20 | I | OV _{DD} | — |
| TDI | F20 | I | OV _{DD} | 4 |

Table 55. MPC8349EA (TBGA) Pinout Listing (continued)

| Signal | Package Pin Number | Pin Type | Power Supply | Notes |
|---------------------------------|--------------------|---|-------------------|-------|
| TDO | B20 | O | OV _{DD} | 3 |
| TMS | A20 | I | OV _{DD} | 4 |
| $\overline{\text{TRST}}$ | B19 | I | OV _{DD} | 4 |
| Test | | | | |
| TEST | D22 | I | OV _{DD} | 6 |
| TEST_SEL | AL13 | I | OV _{DD} | 6 |
| PMC | | | | |
| $\overline{\text{QUIESCE}}$ | A18 | O | OV _{DD} | — |
| System Control | | | | |
| $\overline{\text{PORESET}}$ | C18 | I | OV _{DD} | — |
| $\overline{\text{HRESET}}$ | B18 | I/O | OV _{DD} | 1 |
| $\overline{\text{SRESET}}$ | D18 | I/O | OV _{DD} | 2 |
| Thermal Management | | | | |
| THERM0 | K32 | I | — | 8 |
| Power and Ground Signals | | | | |
| AV _{DD1} | L31 | Power for e300 PLL (1.2 V nominal, 1.3 V for 667 MHz) | AV _{DD1} | — |
| AV _{DD2} | AP12 | Power for system PLL (1.2 V nominal, 1.3 V for 667 MHz) | AV _{DD2} | — |
| AV _{DD3} | AE1 | Power for DDR DLL (1.2 V nominal, 1.3 V for 667 MHz) | — | — |
| AV _{DD4} | AJ13 | Power for LBIU DLL (1.2 V nominal, 1.3 V for 667 MHz) | AV _{DD4} | — |

Table 55. MPC8349EA (TBGA) Pinout Listing (continued)

| Signal | Package Pin Number | Pin Type | Power Supply | Notes |
|-------------------|--|--|-----------------------|-------|
| GND | A1, A34, C1, C7, C10, C11, C15, C23, C25, C28, D1, D8, D20, D30, E7, E13, E15, E17, E18, E21, E23, E25, E32, F6, F19, F27, F30, F34, G31, H5, J4, J34, K30, L5, M2, M5, M30, M33, N3, N5, P30, R5, R32, T5, T30, U6, U29, U33, V2, V5, V30, W6, W30, Y30, AA2, AA30, AB2, AB6, AB30, AC3, AC6, AD31, AE5, AF2, AF5, AF31, AG30, AG31, AH4, AJ3, AJ19, AJ22, AK7, AK13, AK14, AK16, AK18, AK20, AK25, AK28, AL3, AL5, AL10, AL12, AL22, AL27, AM1, AM6, AM7, AN12, AN17, AN34, AP1, AP8, AP34 | — | — | — |
| GV _{DD} | A2, E2, G5, G6, J5, K4, K5, L4, N4, P5, R6, T6, U5, V1, W5, Y5, AA4, AB3, AC4, AD5, AF3, AG5, AH2, AH5, AH6, AJ6, AK6, AK8, AK9, AL6 | Power for DDR DRAM I/O voltage (2.5 V) | GV _{DD} | — |
| LV _{DD1} | C9, D11 | Power for three speed Ethernet #1 and for Ethernet management interface I/O (2.5 V, 3.3 V) | LV _{DD1} | — |
| LV _{DD2} | C6, D9 | Power for three speed Ethernet #2 I/O (2.5 V, 3.3 V) | LV _{DD2} | — |
| V _{DD} | E19, E29, F7, F9, F11, F13, F15, F17, F18, F21, F23, F25, F29, H29, J6, K29, M29, N6, P29, T29, U30, V6, V29, W29, AB29, AC5, AD29, AF6, AF29, AH29, AJ8, AJ12, AJ14, AJ16, AJ18, AJ20, AJ21, AJ23, AJ25, AJ26, AJ27, AJ28, AJ29, AK10 | Power for core (1.2 V nominal, 1.3 V for 667 MHz) | V _{DD} | — |
| OV _{DD} | B22, B28, C16, C17, C24, C26, D13, D15, D19, D29, E31, F28, G33, H30, L29, L32, N32, P31, R31, U32, W31, Y29, AA29, AC30, AE31, AF30, AG29, AJ17, AJ30, AK11, AL15, AL19, AL21, AL29, AL30, AM20, AM23, AM24, AM26, AM28, AN11, AN13 | PCI, 10/100 Ethernet, and other standard (3.3 V) | OV _{DD} | — |
| MVREF1 | M3 | I | DDR reference voltage | — |

Table 55. MPC8349EA (TBGA) Pinout Listing (continued)

| Signal | Package Pin Number | Pin Type | Power Supply | Notes |
|--------|--------------------|----------|-----------------------|-------|
| MVREF2 | AD2 | I | DDR reference voltage | — |

Notes:

1. This pin is an open-drain signal. A weak pull-up resistor (1 k Ω) should be placed on this pin to OV_{DD} .
2. This pin is an open-drain signal. A weak pull-up resistor (2–10 k Ω) should be placed on this pin to OV_{DD} .
3. During reset, this output is actively driven rather than three-stated.
4. These JTAG pins have weak internal pull-up P-FETs that are always enabled.
5. This pin should have a weak pull-up if the chip is in PCI host mode. Follow the PCI specifications.
6. This pin must always be tied to GND.
7. This pin must always be left not connected.
8. Thermal sensitive resistor.
9. It is recommended that MDIC0 be tied to GND using an 18.2 Ω resistor and MDIC1 be tied to DDR power using an 18.2 Ω resistor.
10. TSEC1_TXD[3] is required an external pull-up resistor. For proper functionality of the device, this pin must be pulled up or actively driven high during a hard reset. No external pull-down resistors are allowed to be attached to this net.
11. A weak pull-up resistor (2–10 k Ω) should be placed on this pin to LV_{DD1} .
12. For systems that boot from local bus (GPCM)-controlled NOR flash, a pullup on LGPL4 is required.

19 Clocking

Figure 41 shows the internal distribution of the clocks.

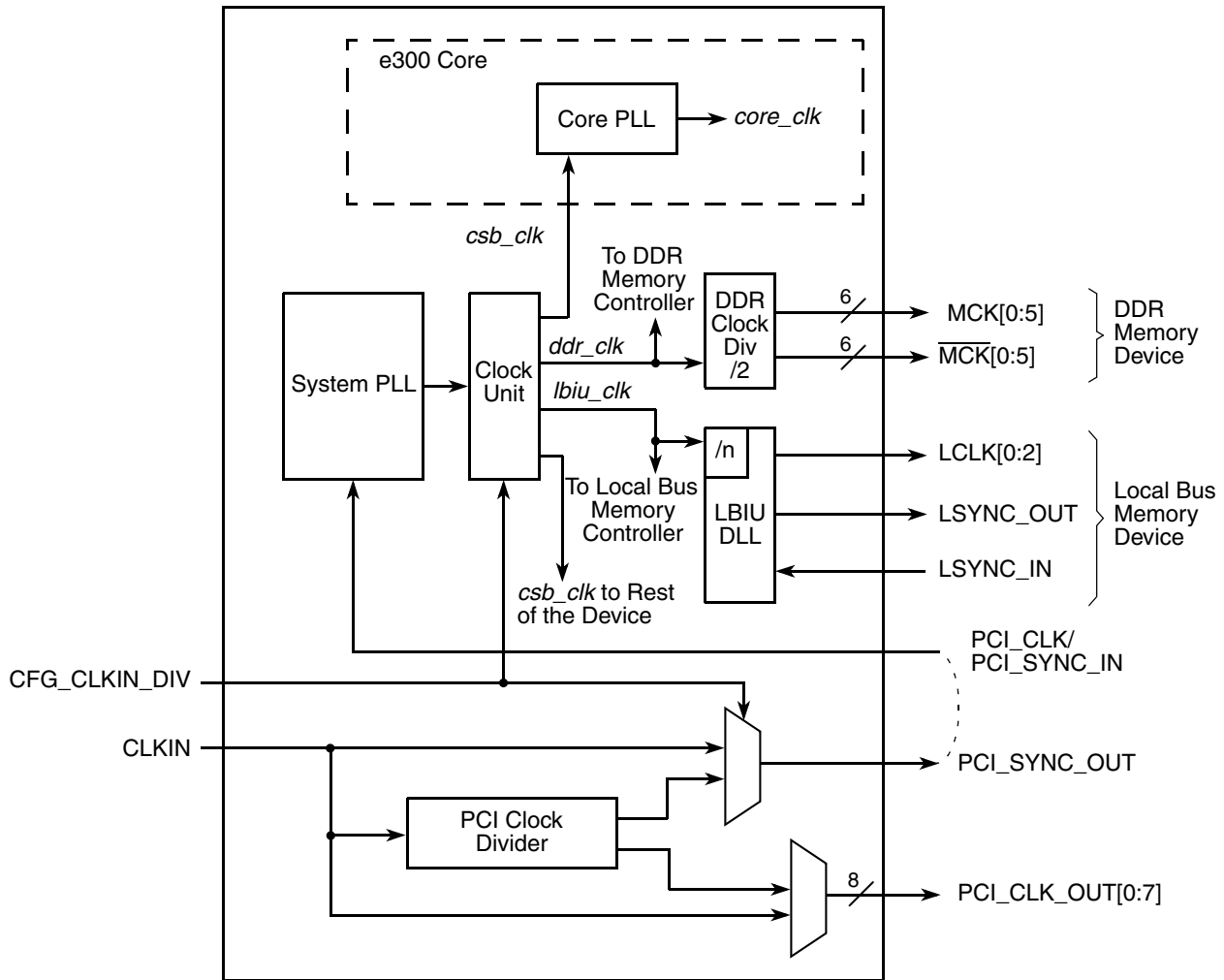


Figure 41. MPC8349EA Clock Subsystem

The primary clock source can be one of two inputs, CLKIN or PCI_CLK, depending on whether the device is configured in PCI host or PCI agent mode. When the MPC8349EA is configured as a PCI host device, CLKIN is its primary input clock. CLKIN feeds the PCI clock divider ($\div 2$) and the multiplexors for PCI_SYNC_OUT and PCI_CLK_OUT. The CFG_CLKIN_DIV configuration input selects whether CLKIN or CLKIN/2 is driven out on the PCI_SYNC_OUT signal. The OCCR[PCICDn] parameters select whether CLKIN or CLKIN/2 is driven out on the PCI_CLK_OUTn signals.

PCI_SYNC_OUT is connected externally to PCI_SYNC_IN to allow the internal clock subsystem to synchronize to the system PCI clocks. PCI_SYNC_OUT must be connected properly to PCI_SYNC_IN, with equal delay to all PCI agent devices in the system, to allow the MPC8349EA to function. When the device is configured as a PCI agent device, PCI_CLK is the primary input clock and the CLKIN signal should be tied to GND.

As shown in [Figure 41](#), the primary clock input (frequency) is multiplied up by the system phase-locked loop (PLL) and the clock unit to create the coherent system bus clock (*csb_clk*), the internal clock for the DDR controller (*ddr_clk*), and the internal clock for the local bus interface unit (*lbiu_clk*).

The *csb_clk* frequency is derived from a complex set of factors that can be simplified into the following equation:

$$csb_clk = \{PCI_SYNC_IN \times (1 + CFG_CLKIN_DIV)\} \times SPMF$$

In PCI host mode, $PCI_SYNC_IN \times (1 + CFG_CLKIN_DIV)$ is the CLKIN frequency.

The *csb_clk* serves as the clock input to the e300 core. A second PLL inside the e300 core multiplies the *csb_clk* frequency to create the internal clock for the e300 core (*core_clk*). The system and core PLL multipliers are selected by the SPMF and COREPLL fields in the reset configuration word low (RCWL), which is loaded at power-on reset or by one of the hard-coded reset options. See the chapter on reset, clocking, and initialization in the *MPC8349EA Reference Manual* for more information on the clock subsystem.

The internal *ddr_clk* frequency is determined by the following equation:

$$ddr_clk = csb_clk \times (1 + RCWL[DDRCM])$$

ddr_clk is not the external memory bus frequency; *ddr_clk* passes through the DDR clock divider ($\div 2$) to create the differential DDR memory bus clock outputs (MCK and \overline{MCK}). However, the data rate is the same frequency as *ddr_clk*.

The internal *lbiu_clk* frequency is determined by the following equation:

$$lbiu_clk = csb_clk \times (1 + RCWL[LBIUCM])$$

lbiu_clk is not the external local bus frequency; *lbiu_clk* passes through the LBIU clock divider to create the external local bus clock outputs (LSYNC_OUT and LCLK[0:2]). The LBIU clock divider ratio is controlled by LCCR[CLKDIV].

In addition, some of the internal units may have to be shut off or operate at lower frequency than the *csb_clk* frequency. Those units have a default clock ratio that can be configured by a memory-mapped register after the device exits reset. [Table 56](#) specifies which units have a configurable clock frequency.

Table 56. Configurable Clock Units

| Unit | Default Frequency | Options |
|----------------------------|-------------------|--|
| TSEC1 | <i>csb_clk</i> /3 | Off, <i>csb_clk</i> , <i>csb_clk</i> /2, <i>csb_clk</i> /3 |
| TSEC2, I ² C1 | <i>csb_clk</i> /3 | Off, <i>csb_clk</i> , <i>csb_clk</i> /2, <i>csb_clk</i> /3 |
| Security core | <i>csb_clk</i> /3 | Off, <i>csb_clk</i> , <i>csb_clk</i> /2, <i>csb_clk</i> /3 |
| USB DR, USB MPH | <i>csb_clk</i> /3 | Off, <i>csb_clk</i> , <i>csb_clk</i> /2, <i>csb_clk</i> /3 |
| PCI1, PCI2 and DMA complex | <i>csb_clk</i> | Off, <i>csb_clk</i> |

Table 57 provides the operating frequencies for the MPC8349EA TBGA under recommended operating conditions (see Table 2).

Table 57. Operating Frequencies for TBGA

| Characteristic ¹ | 400 MHz | 533 MHz | 667 MHz | Unit |
|---|-----------|-----------|------------|------|
| e300 core frequency (<i>core_clk</i>) | 266–400 | 266–533 | 266–667 | MHz |
| Coherent system bus frequency (<i>csb_clk</i>) | 100–266 | 100–333 | 100–333 | MHz |
| DDR1 memory bus frequency (MCK) ² | 100–133 | 100–133 | 100–166.67 | MHz |
| DDR2 memory bus frequency (MCK) ³ | 100–133 | 100–133 | 100–200 | MHz |
| Local bus frequency (LCLK _n) ⁴ | 16.67–133 | 16.67–133 | 16.67–133 | MHz |
| PCI input frequency (CLKIN or PCI_CLK) | 25–66 | 25–66 | 25–66 | MHz |
| Security core maximum internal operating frequency | 133 | 133 | 166 | MHz |
| USB_DR, USB_MPH maximum internal operating frequency | 133 | 133 | 166 | MHz |

¹ The CLKIN frequency, RCWL[SPMF], and RCWL[COREPLL] settings must be chosen so that the resulting *csb_clk*, MCK, LCLK[0:2], and *core_clk* frequencies do not exceed their respective maximum or minimum operating frequencies. The value of SCCR[ENCCM], SCCR[USBDRCM] and SCCR[USBMPHCM] must be programmed so that the maximum internal operating frequency of the security core and USB modules does not exceed the respective values listed in this table.

² The DDR data rate is 2x the DDR memory bus frequency.

³ The DDR data rate is 2x the DDR memory bus frequency.

⁴ The local bus frequency is 1/2, 1/4, or 1/8 of the *lbiu_clk* frequency (depending on LCCR[CLKDIV]) which is in turn 1x or 2x the *csb_clk* frequency (depending on RCWL[LBIUCM]).

All frequency combinations shown in the table below may not be available. Maximum operating frequencies depend on the part ordered, see Section 22.1, “Part Numbers Fully Addressed by This Document,” for part ordering details and contact your Freescale Sales Representative or authorized distributor for more information.

19.1 System PLL Configuration

The system PLL is controlled by the RCWL[SPMF] parameter. Table 58 shows the multiplication factor encodings for the system PLL.

Table 58. System PLL Multiplication Factors

| RCWL[SPMF] | System PLL Multiplication Factor |
|------------|----------------------------------|
| 0000 | × 16 |
| 0001 | Reserved |
| 0010 | × 2 |
| 0011 | × 3 |
| 0100 | × 4 |
| 0101 | × 5 |
| 0110 | × 6 |

Table 58. System PLL Multiplication Factors (continued)

| RCWL[SPMF] | System PLL Multiplication Factor |
|------------|----------------------------------|
| 0111 | × 7 |
| 1000 | × 8 |
| 1001 | × 9 |
| 1010 | × 10 |
| 1011 | × 11 |
| 1100 | × 12 |
| 1101 | × 13 |
| 1110 | × 14 |
| 1111 | × 15 |

As described in [Section 19, “Clocking,”](#) the LBIUCM, DDRCM, and SPMF parameters in the reset configuration word low and the CFG_CLKIN_DIV configuration input signal select the ratio between the primary clock input (CLKIN or PCI_CLK) and the internal coherent system bus clock (*csb_clk*). [Table 59](#) and [Table 60](#) show the expected frequency values for the CSB frequency for select *csb_clk* to CLKIN/PCI_SYNC_IN ratios.

Table 59. CSB Frequency Options for Host Mode

| CFG_CLKIN_DIV at Reset ¹ | SPMF | <i>csb_clk</i> : Input Clock Ratio ² | Input Clock Frequency (MHz) ² | | | | | |
|--|------|--|--|----|-------|-------|-----|-----|
| | | | 16.67 | 25 | 33.33 | 66.67 | | |
| | | | <i>csb_clk</i> Frequency (MHz) | | | | | |
| Low | 0010 | 2 : 1 | | | | 133 | | |
| Low | 0011 | 3 : 1 | | | | 100 | 200 | |
| Low | 0100 | 4 : 1 | | | | 100 | 133 | 266 |
| Low | 0101 | 5 : 1 | | | | 125 | 166 | 333 |

Table 59. CSB Frequency Options for Host Mode (continued)

| CFG_CLKIN_DIV at Reset ¹ | SPMF | csb_clk : Input Clock Ratio ² | Input Clock Frequency (MHz) ² | | | | |
|--|------|---|--|-----|-------|-------|-----|
| | | | 16.67 | 25 | 33.33 | 66.67 | |
| | | | csb_clk Frequency (MHz) | | | | |
| Low | 0110 | 6 : 1 | 100 | 150 | 200 | | |
| Low | 0111 | 7 : 1 | 116 | 175 | 233 | | |
| Low | 1000 | 8 : 1 | 133 | 200 | 266 | | |
| Low | 1001 | 9 : 1 | 150 | 225 | 300 | | |
| Low | 1010 | 10 : 1 | 166 | 250 | 333 | | |
| Low | 1011 | 11 : 1 | 183 | 275 | | | |
| Low | 1100 | 12 : 1 | 200 | 300 | | | |
| Low | 1101 | 13 : 1 | 216 | 325 | | | |
| Low | 1110 | 14 : 1 | 233 | | | | |
| Low | 1111 | 15 : 1 | 250 | | | | |
| Low | 0000 | 16 : 1 | 266 | | | | |
| High | 0010 | 2 : 1 | | | | | 133 |
| High | 0011 | 3 : 1 | | | 100 | | 200 |
| High | 0100 | 4 : 1 | | | 133 | 266 | |
| High | 0101 | 5 : 1 | | | 166 | 333 | |
| High | 0110 | 6 : 1 | | | 200 | | |
| High | 0111 | 7 : 1 | | | 233 | | |
| High | 1000 | 8 : 1 | | | | | |

¹ CFG_CLKIN_DIV selects the ratio between CLKIN and PCI_SYNC_OUT.

² CLKIN is the input clock in host mode; PCI_CLK is the input clock in agent mode.

Table 60. CSB Frequency Options for Agent Mode

| CFG_CLKIN_DIV at Reset ¹ | SPMF | csb_clk : Input Clock Ratio ² | Input Clock Frequency (MHz) ² | | | |
|--|------|---|--|-----|-------|-------|
| | | | 16.67 | 25 | 33.33 | 66.67 |
| | | | csb_clk Frequency (MHz) | | | |
| Low | 0010 | 2 : 1 | | | | 133 |
| Low | 0011 | 3 : 1 | | | 100 | 200 |
| Low | 0100 | 4 : 1 | | 100 | 133 | 266 |
| Low | 0101 | 5 : 1 | | 125 | 166 | 333 |

Table 60. CSB Frequency Options for Agent Mode (continued)

| CFG_CLKIN_DIV at Reset ¹ | SPMF | <i>csb_clk</i> : Input Clock Ratio ² | Input Clock Frequency (MHz) ² | | | | |
|--|------|--|--|-----|-------|-------|-----|
| | | | 16.67 | 25 | 33.33 | 66.67 | |
| | | | <i>csb_clk</i> Frequency (MHz) | | | | |
| Low | 0110 | 6 : 1 | 100 | 150 | 200 | | |
| Low | 0111 | 7 : 1 | 116 | 175 | 233 | | |
| Low | 1000 | 8 : 1 | 133 | 200 | 266 | | |
| Low | 1001 | 9 : 1 | 150 | 225 | 300 | | |
| Low | 1010 | 10 : 1 | 166 | 250 | 333 | | |
| Low | 1011 | 11 : 1 | 183 | 275 | | | |
| Low | 1100 | 12 : 1 | 200 | 300 | | | |
| Low | 1101 | 13 : 1 | 216 | 325 | | | |
| Low | 1110 | 14 : 1 | 233 | | | | |
| Low | 1111 | 15 : 1 | 250 | | | | |
| Low | 0000 | 16 : 1 | 266 | | | | |
| High | 0010 | 4 : 1 | | 100 | 133 | | 266 |
| High | 0011 | 6 : 1 | 100 | 150 | 200 | | |
| High | 0100 | 8 : 1 | 133 | 200 | 266 | | |
| High | 0101 | 10 : 1 | 166 | 250 | 333 | | |
| High | 0110 | 12 : 1 | 200 | 300 | | | |
| High | 0111 | 14 : 1 | 233 | | | | |
| High | 1000 | 16 : 1 | 266 | | | | |

¹ CFG_CLKIN_DIV doubles *csb_clk* if set high.

² CLKIN is the input clock in host mode; PCI_CLK is the input clock in agent mode.

19.2 Core PLL Configuration

RCWL[COREPLL] selects the ratio between the internal coherent system bus clock (*csb_clk*) and the e300 core clock (*core_clk*). Table 61 shows the encodings for RCWL[COREPLL]. COREPLL values that are not listed in Table 61 should be considered as reserved.

NOTE

Core VCO frequency = core frequency × VCO divider

VCO divider must be set properly so that the core VCO frequency is in the range of 800–1800 MHz.

Table 61. e300 Core PLL Configuration

| RCWL[COREPLL] | | | <i>core_clk</i> : <i>csb_clk</i> Ratio | VCO Divider ¹ |
|---------------|------|---|--|--|
| 0–1 | 2–5 | 6 | | |
| nn | 0000 | n | PLL bypassed (PLL off, <i>csb_clk</i> clocks core directly) | PLL bypassed (PLL off, <i>csb_clk</i> clocks core directly) |
| 00 | 0001 | 0 | 1:1 | 2 |
| 01 | 0001 | 0 | 1:1 | 4 |
| 10 | 0001 | 0 | 1:1 | 8 |
| 11 | 0001 | 0 | 1:1 | 8 |
| 00 | 0001 | 1 | 1.5:1 | 2 |
| 01 | 0001 | 1 | 1.5:1 | 4 |
| 10 | 0001 | 1 | 1.5:1 | 8 |
| 11 | 0001 | 1 | 1.5:1 | 8 |
| 00 | 0010 | 0 | 2:1 | 2 |
| 01 | 0010 | 0 | 2:1 | 4 |
| 10 | 0010 | 0 | 2:1 | 8 |
| 11 | 0010 | 0 | 2:1 | 8 |
| 00 | 0010 | 1 | 2.5:1 | 2 |
| 01 | 0010 | 1 | 2.5:1 | 4 |
| 10 | 0010 | 1 | 2.5:1 | 8 |
| 11 | 0010 | 1 | 2.5:1 | 8 |
| 00 | 0011 | 0 | 3:1 | 2 |
| 01 | 0011 | 0 | 3:1 | 4 |
| 10 | 0011 | 0 | 3:1 | 8 |
| 11 | 0011 | 0 | 3:1 | 8 |

¹ Core VCO frequency = core frequency × VCO divider. The VCO divider must be set properly so that the core VCO frequency is in the range of 800–1800 MHz.

19.3 Suggested PLL Configurations

Table 62 shows suggested PLL configurations for 33 and 66 MHz input clocks.

Table 62. Suggested PLL Configurations

| Ref No. ¹ | RCWL | | 400 MHz Device | | | 533 MHz Device | | | 667 MHz Device | | |
|------------------------------|------|----------|-------------------------------------|----------------|-----------------|-------------------------------------|----------------|-----------------|-------------------------------------|----------------|-----------------|
| | SPMF | CORE PLL | Input Clock Freq (MHz) ² | CSB Freq (MHz) | Core Freq (MHz) | Input Clock Freq (MHz) ² | CSB Freq (MHz) | Core Freq (MHz) | Input Clock Freq (MHz) ² | CSB Freq (MHz) | Core Freq (MHz) |
| 33 MHz CLKIN/PCI_CLK Options | | | | | | | | | | | |
| 922 | 1001 | 0100010 | — | — | — | — | — | f300 | 33 | 300 | 300 |
| 723 | 0111 | 0100011 | 33 | 233 | 350 | 33 | 233 | 350 | 33 | 233 | 350 |
| 604 | 0110 | 0000100 | 33 | 200 | 400 | 33 | 200 | 400 | 33 | 200 | 400 |
| 624 | 0110 | 0100100 | 33 | 200 | 400 | 33 | 200 | 400 | 33 | 200 | 400 |
| 803 | 1000 | 0000011 | 33 | 266 | 400 | 33 | 266 | 400 | 33 | 266 | 400 |
| 823 | 1000 | 0100011 | 33 | 266 | 400 | 33 | 266 | 400 | 33 | 266 | 400 |
| 903 | 1001 | 0000011 | — | | | 33 | 300 | 450 | 33 | 300 | 450 |
| 923 | 1001 | 0100011 | — | | | 33 | 300 | 450 | 33 | 300 | 450 |
| 704 | 0111 | 0000011 | — | | | 33 | 233 | 466 | 33 | 233 | 466 |
| 724 | 0111 | 0100011 | — | | | 33 | 233 | 466 | 33 | 233 | 466 |
| A03 | 1010 | 0000011 | — | | | 33 | 333 | 500 | 33 | 333 | 500 |
| 804 | 1000 | 0000100 | — | | | 33 | 266 | 533 | 33 | 266 | 533 |
| 705 | 0111 | 0000101 | — | | | — | | | 33 | 233 | 583 |
| 606 | 0110 | 0000110 | — | | | — | | | 33 | 200 | 600 |
| 904 | 1001 | 0000100 | — | | | — | | | 33 | 300 | 600 |
| 805 | 1000 | 0000101 | — | | | — | | | 33 | 266 | 667 |
| A04 | 1010 | 0000100 | — | | | — | | | 33 | 333 | 667 |
| 66 MHz CLKIN/PCI_CLK Options | | | | | | | | | | | |
| 304 | 0011 | 0000100 | 66 | 200 | 400 | 66 | 200 | 400 | 66 | 200 | 400 |
| 324 | 0011 | 0100100 | 66 | 200 | 400 | 66 | 200 | 400 | 66 | 200 | 400 |
| 403 | 0100 | 0000011 | 66 | 266 | 400 | 66 | 266 | 400 | 66 | 266 | 400 |
| 423 | 0100 | 0100011 | 66 | 266 | 400 | 66 | 266 | 400 | 66 | 266 | 400 |
| 305 | 0011 | 0000101 | — | | | 66 | 200 | 500 | 66 | 200 | 500 |
| 503 | 0101 | 0000011 | — | | | 66 | 333 | 500 | 66 | 333 | 500 |
| 404 | 0100 | 0000100 | — | | | 66 | 266 | 533 | 66 | 266 | 533 |

Table 62. Suggested PLL Configurations (continued)

| Ref No. ¹ | RCWL | | 400 MHz Device | | | 533 MHz Device | | | 667 MHz Device | | |
|----------------------|------|----------|-------------------------------------|----------------|-----------------|-------------------------------------|----------------|-----------------|-------------------------------------|----------------|-----------------|
| | SPMF | CORE PLL | Input Clock Freq (MHz) ² | CSB Freq (MHz) | Core Freq (MHz) | Input Clock Freq (MHz) ² | CSB Freq (MHz) | Core Freq (MHz) | Input Clock Freq (MHz) ² | CSB Freq (MHz) | Core Freq (MHz) |
| 306 | 0011 | 0000110 | — | | | — | | | 66 | 200 | 600 |
| 405 | 0100 | 0000101 | — | | | — | | | 66 | 266 | 667 |
| 504 | 0101 | 0000100 | — | | | — | | | 66 | 333 | 667 |

¹ The PLL configuration reference number is the hexadecimal representation of RCWL, bits 4–15 associated with the SPMF and COREPLL settings given in the table.

² The input clock is CLKIN for PCI host mode or PCI_CLK for PCI agent mode.

20 Thermal

This section describes the thermal specifications of the MPC8349EA.

20.1 Thermal Characteristics

Table 63 provides the package thermal characteristics for the 672 35 × 35 mm TBGA of the MPC8349EA.

Table 63. Package Thermal Characteristics for TBGA

| Characteristic | Symbol | Value | Unit | Notes |
|---|------------------|-------|------|-------|
| Junction-to-ambient natural convection on single-layer board (1s) | $R_{\theta JA}$ | 14 | °C/W | 1, 2 |
| Junction-to-ambient natural convection on four-layer board (2s2p) | $R_{\theta JMA}$ | 11 | °C/W | 1, 3 |
| Junction-to-ambient (at 200 ft/min) on single-layer board (1s) | $R_{\theta JMA}$ | 11 | °C/W | 1, 3 |
| Junction-to-ambient (at 200 ft/min) on four-layer board (2s2p) | $R_{\theta JMA}$ | 8 | °C/W | 1, 3 |
| Junction-to-ambient (at 2 m/s) on single-layer board (1s) | $R_{\theta JMA}$ | 9 | °C/W | 1, 3 |
| Junction-to-ambient (at 2 m/s) on four-layer board (2s2p) | $R_{\theta JMA}$ | 7 | °C/W | 1, 3 |
| Junction-to-board thermal | $R_{\theta JB}$ | 3.8 | °C/W | 4 |
| Junction-to-case thermal | $R_{\theta JC}$ | 1.7 | °C/W | 5 |

Table 63. Package Thermal Characteristics for TBGA (continued)

| Characteristic | Symbol | Value | Unit | Notes |
|---|-------------|-------|------|-------|
| Junction-to-package natural convection on top | Ψ_{JT} | 1 | °C/W | 6 |

Notes:

- Junction temperature is a function of die size, on-chip power dissipation, package thermal resistance, mounting site (board) temperature, ambient temperature, air flow, power dissipation of other components on the board, and board thermal resistance.
- Per SEMI G38-87 and JEDEC JESD51-2 with the single-layer board horizontal.
- Per JEDEC JESD51-6 with the board horizontal, 1 m/s is approximately equal to 200 linear feet per minute (LFM).
- Thermal resistance between the die and the printed-circuit board per JEDEC JESD51-8. Board temperature is measured on the top surface of the board near the package.
- Thermal resistance between the die and the case top surface as measured by the cold plate method (MIL SPEC-883 Method 1012.1).
- Thermal characterization parameter indicating the temperature difference between package top and the junction temperature per JEDEC JESD51-2. When Greek letters are not available, the thermal characterization parameter is written as Psi-JT.

20.2 Thermal Management Information

For the following sections, $P_D = (V_{DD} \times I_{DD}) + P_{I/O}$ where $P_{I/O}$ is the power dissipation of the I/O drivers. See [Table 5](#) for I/O power dissipation values.

20.2.1 Estimation of Junction Temperature with Junction-to-Ambient Thermal Resistance

An estimation of the chip junction temperature, T_J , can be obtained from the equation:

$$T_J = T_A + (R_{\theta JA} \times P_D)$$

where:

T_J = junction temperature (°C)

T_A = ambient temperature for the package (°C)

$R_{\theta JA}$ = junction-to-ambient thermal resistance (°C/W)

P_D = power dissipation in the package (W)

The junction-to-ambient thermal resistance is an industry-standard value that provides a quick and easy estimation of thermal performance. Generally, the value obtained on a single-layer board is appropriate for a tightly packed printed-circuit board. The value obtained on the board with the internal planes is usually appropriate if the board has low power dissipation and the components are well separated. Test cases have demonstrated that errors of a factor of two (in the quantity $T_J - T_A$) are possible.

20.2.2 Estimation of Junction Temperature with Junction-to-Board Thermal Resistance

The thermal performance of a device cannot be adequately predicted from the junction-to-ambient thermal resistance. The thermal performance of any component is strongly dependent on the power dissipation of surrounding components. In addition, the ambient temperature varies widely within the application. For many natural convection and especially closed box applications, the board temperature at the perimeter

(edge) of the package is approximately the same as the local air temperature near the device. Specifying the local ambient conditions explicitly as the board temperature provides a more precise description of the local ambient conditions that determine the temperature of the device.

At a known board temperature, the junction temperature is estimated using the following equation:

$$T_J = T_A + (R_{\theta JA} \times P_D)$$

where:

T_J = junction temperature (°C)

T_A = ambient temperature for the package (°C)

$R_{\theta JA}$ = junction-to-ambient thermal resistance (°C/W)

P_D = power dissipation in the package (W)

When the heat loss from the package case to the air can be ignored, acceptable predictions of junction temperature can be made. The application board should be similar to the thermal test condition: the component is soldered to a board with internal planes.

20.2.3 Experimental Determination of Junction Temperature

To determine the junction temperature of the device in the application after prototypes are available, use the thermal characterization parameter (Ψ_{JT}) to determine the junction temperature and a measure of the temperature at the top center of the package case using the following equation:

$$T_J = T_T + (\Psi_{JT} \times P_D)$$

where:

T_J = junction temperature (°C)

T_T = thermocouple temperature on top of package (°C)

Ψ_{JT} = junction-to-ambient thermal resistance (°C/W)

P_D = power dissipation in the package (W)

The thermal characterization parameter is measured per the JESD51-2 specification using a 40 gauge type T thermocouple epoxied to the top center of the package case. The thermocouple should be positioned so that the thermocouple junction rests on the package. A small amount of epoxy is placed over the thermocouple junction and over about 1 mm of wire extending from the junction. The thermocouple wire is placed flat against the package case to avoid measurement errors caused by cooling effects of the thermocouple wire.

20.2.4 Heat Sinks and Junction-to-Case Thermal Resistance

Some application environments require a heat sink to provide the necessary thermal management of the device. When a heat sink is used, the thermal resistance is expressed as the sum of a junction-to-case thermal resistance and a case-to-ambient thermal resistance:

$$R_{\theta JA} = R_{\theta JC} + R_{\theta CA}$$

where:

$R_{\theta JA}$ = junction-to-ambient thermal resistance ($^{\circ}\text{C}/\text{W}$)

$R_{\theta JC}$ = junction-to-case thermal resistance ($^{\circ}\text{C}/\text{W}$)

$R_{\theta CA}$ = case-to-ambient thermal resistance ($^{\circ}\text{C}/\text{W}$)

$R_{\theta JC}$ is device-related and cannot be influenced by the user. The user controls the thermal environment to change the case-to-ambient thermal resistance, $R_{\theta CA}$. For instance, the user can change the size of the heat sink, the air flow around the device, the interface material, the mounting arrangement on printed-circuit board, or change the thermal dissipation on the printed-circuit board surrounding the device.

The thermal performance of devices with heat sinks has been simulated with a few commercially available heat sinks. The heat sink choice is determined by the application environment (temperature, air flow, adjacent component power dissipation) and the physical space available. Because there is not a standard application environment, a standard heat sink is not required.

Table 64 shows heat sink thermal resistance for TBGA of the MPC8349EA.

Table 64. Heat Sink and Thermal Resistance of MPC8349EA (TBGA)

| Heat Sink Assuming Thermal Grease | Air Flow | 35 × 35 mm TBGA |
|---|--------------------|--------------------|
| | | Thermal Resistance |
| AAVID 30 × 30 × 9.4 mm pin fin | Natural convection | 10 |
| AAVID 30 × 30 × 9.4 mm pin fin | 1 m/s | 6.5 |
| AAVID 30 × 30 × 9.4 mm pin fin | 2 m/s | 5.6 |
| AAVID 31 × 35 × 23 mm pin fin | Natural convection | 8.4 |
| AAVID 31 × 35 × 23 mm pin fin | 1 m/s | 4.7 |
| AAVID 31 × 35 × 23 mm pin fin | 2 m/s | 4 |
| Wakefield, 53 × 53 × 25 mm pin fin | Natural convection | 5.7 |
| Wakefield, 53 × 53 × 25 mm pin fin | 1 m/s | 3.5 |
| Wakefield, 53 × 53 × 25 mm pin fin | 2 m/s | 2.7 |
| MEI, 75 × 85 × 12 no adjacent board, extrusion | Natural convection | 6.7 |
| MEI, 75 × 85 × 12 no adjacent board, extrusion | 1 m/s | 4.1 |
| MEI, 75 × 85 × 12 no adjacent board, extrusion | 2 m/s | 2.8 |
| MEI, 75 × 85 × 12 mm, adjacent board, 40 mm side bypass | 1 m/s | 3.1 |

Accurate thermal design requires thermal modeling of the application environment using computational fluid dynamics software which can model both the conduction cooling and the convection cooling of the air moving through the application. Simplified thermal models of the packages can be assembled using the junction-to-case and junction-to-board thermal resistances listed in the thermal resistance table. More detailed thermal models can be made available on request.

Thermal

Heat sink vendors include the following list:

Aavid Thermalloy 603-224-9988
 80 Commercial St.
 Concord, NH 03301
 Internet: www.aavidthermalloy.com

Alpha Novatech 408-567-8082
 473 Sapena Ct. #12
 Santa Clara, CA 95054
 Internet: www.alphanovatech.com

International Electronic Research Corporation (IERC) 818-842-7277
 413 North Moss St.
 Burbank, CA 91502
 Internet: www.ctscorp.com

Millennium Electronics (MEI) 408-436-8770
 Loroco Sites
 671 East Brokaw Road
 San Jose, CA 95112
 Internet: www.mei-thermal.com

Tyco Electronics 800-522-2800
 Chip Coolers™
 P.O. Box 3668
 Harrisburg, PA 17105-3668
 Internet: www.chipcoolers.com

Wakefield Engineering 603-635-5102
 33 Bridge St.
 Pelham, NH 03076
 Internet: www.wakefield.com

Interface material vendors include the following:

Chomerics, Inc. 781-935-4850
 77 Dragon Ct.
 Woburn, MA 01801
 Internet: www.chomerics.com

Dow-Corning Corporation 800-248-2481
 Dow-Corning Electronic Materials
 P.O. Box 994
 Midland, MI 48686-0997
 Internet: www.dowcorning.com

Shin-Etsu MicroSi, Inc. 888-642-7674
 10028 S. 51st St.
 Phoenix, AZ 85044
 Internet: www.microsi.com

The Bergquist Company
 18930 West 78th St.
 Chanhassen, MN 55317
 Internet: www.bergquistcompany.com

800-347-4572

20.3 Heat Sink Attachment

When heat sinks are attached, an interface material is required, preferably thermal grease and a spring clip. The spring clip should connect to the printed-circuit board, either to the board itself, to hooks soldered to the board, or to a plastic stiffener. Avoid attachment forces that can lift the edge of the package or peel the package from the board. Such peeling forces reduce the solder joint lifetime of the package. The recommended maximum force on the top of the package is 10 lb force (4.5 kg force). Any adhesive attachment should attach to painted or plastic surfaces, and its performance should be verified under the application requirements.

20.3.1 Experimental Determination of the Junction Temperature with a Heat Sink

When a heat sink is used, the junction temperature is determined from a thermocouple inserted at the interface between the case of the package and the interface material. A clearance slot or hole is normally required in the heat sink. Minimize the size of the clearance to minimize the change in thermal performance caused by removing part of the thermal interface to the heat sink. Because of the experimental difficulties with this technique, many engineers measure the heat sink temperature and then back calculate the case temperature using a separate measurement of the thermal resistance of the interface. From this case temperature, the junction temperature is determined from the junction-to-case thermal resistance.

$$T_J = T_C + (R_{\theta JC} \times P_D)$$

where:

T_J = junction temperature (°C)

T_C = case temperature of the package (°C)

$R_{\theta JC}$ = junction-to-case thermal resistance (°C/W)

P_D = power dissipation (W)

21 System Design Information

This section provides electrical and thermal design recommendations for successful application of the MPC8349EA.

21.1 System Clocking

The MPC8349EA includes two PLLs:

1. The platform PLL generates the platform clock from the externally supplied CLKIN input. The frequency ratio between the platform and CLKIN is selected using the platform PLL ratio configuration bits as described in [Section 19.1, “System PLL Configuration.”](#)

- The e300 core PLL generates the core clock as a slave to the platform clock. The frequency ratio between the e300 core clock and the platform clock is selected using the e300 PLL ratio configuration bits as described in [Section 19.2, “Core PLL Configuration.”](#)

21.2 PLL Power Supply Filtering

Each PLL gets power through independent power supply pins (AV_{DD1} , AV_{DD2} , respectively). The AV_{DD} level should always equal to V_{DD} , and preferably these voltages are derived directly from V_{DD} through a low frequency filter scheme.

There are a number of ways to provide power reliably to the PLLs, but the recommended solution is to provide four independent filter circuits as illustrated in [Figure 42](#), one to each of the four AV_{DD} pins. Independent filters to each PLL reduce the opportunity to cause noise injection from one PLL to the other.

The circuit filters noise in the PLL resonant frequency range from 500 kHz to 10 MHz. It should be built with surface mount capacitors with minimum effective series inductance (ESL). Consistent with the recommendations of Dr. Howard Johnson in *High Speed Digital Design: A Handbook of Black Magic* (Prentice Hall, 1993), multiple small capacitors of equal value are recommended over a single large value capacitor.

To minimize noise coupled from nearby circuits, each circuit should be placed as closely as possible to the specific AV_{DD} pin being supplied. It should be possible to route directly from the capacitors to the AV_{DD} pin, which is on the periphery of package, without the inductance of vias.

[Figure 42](#) shows the PLL power supply filter circuit.

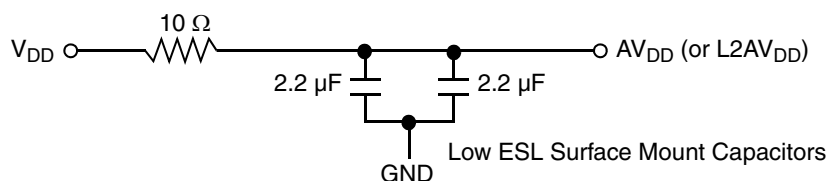


Figure 42. PLL Power Supply Filter Circuit

21.3 Decoupling Recommendations

Due to large address and data buses and high operating frequencies, the MPC8349EA can generate transient power surges and high frequency noise in its power supply, especially while driving large capacitive loads. This noise must be prevented from reaching other components in the MPC8349EA system, and the device itself requires a clean, tightly regulated source of power. Therefore, the system designer should place at least one decoupling capacitor at each V_{DD} , OV_{DD} , GV_{DD} , and LV_{DD} pin of the device. These capacitors should receive their power from separate V_{DD} , OV_{DD} , GV_{DD} , LV_{DD} , and GND power planes in the PCB, with short traces to minimize inductance. Capacitors can be placed directly under the device using a standard escape pattern. Others can surround the part.

These capacitors should have a value of 0.01 or 0.1 μF . Only ceramic SMT (surface mount technology) capacitors should be used to minimize lead inductance, preferably 0402 or 0603 sizes.

In addition, distribute several bulk storage capacitors around the PCB, feeding the V_{DD} , OV_{DD} , GV_{DD} , and LV_{DD} planes, to enable quick recharging of the smaller chip capacitors. These bulk capacitors should

have a low ESR (equivalent series resistance) rating to ensure the quick response time. They should also be connected to the power and ground planes through two vias to minimize inductance. Suggested bulk capacitors are 100–330 μF (AVX TPS tantalum or Sanyo OSCON).

21.4 Connection Recommendations

To ensure reliable operation, connect unused inputs to an appropriate signal level. Unused active low inputs should be tied to OV_{DD} , GV_{DD} , or LV_{DD} as required. Unused active high inputs should be connected to GND. All NC (no-connect) signals must remain unconnected.

Power and ground connections must be made to all external V_{DD} , GV_{DD} , LV_{DD} , OV_{DD} , and GND pins of the MPC8349EA.

21.5 Output Buffer DC Impedance

The MPC8349EA drivers are characterized over process, voltage, and temperature. For all buses, the driver is a push-pull single-ended driver type (open drain for I^2C).

To measure Z_0 for the single-ended drivers, an external resistor is connected from the chip pad to OV_{DD} or GND. Then the value of each resistor is varied until the pad voltage is $\text{OV}_{\text{DD}}/2$ (see Figure 43). The output impedance is the average of two components, the resistances of the pull-up and pull-down devices. When data is held high, SW1 is closed (SW2 is open) and R_{P} is trimmed until the voltage at the pad equals $\text{OV}_{\text{DD}}/2$. R_{P} then becomes the resistance of the pull-up devices. R_{P} and R_{N} are designed to be close to each other in value. Then, $Z_0 = (R_{\text{P}} + R_{\text{N}}) \div 2$.

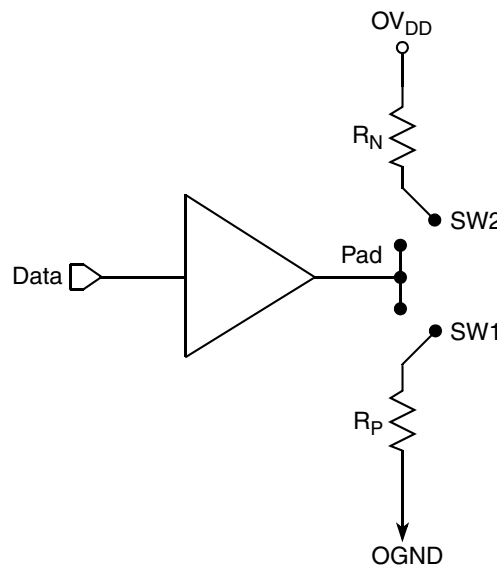


Figure 43. Driver Impedance Measurement

Two measurements give the value of this resistance and the strength of the driver current source. First, the output voltage is measured while driving logic 1 without an external differential termination resistor. The measured voltage is $V_1 = R_{\text{source}} \times I_{\text{source}}$. Second, the output voltage is measured while driving logic 1 with an external precision differential termination resistor of value R_{term} . The measured voltage is

Ordering Information

$V_2 = (1 \div (1/R_1 + 1/R_2)) \times I_{\text{source}}$. Solving for the output impedance gives $R_{\text{source}} = R_{\text{term}} \times (V_1 \div V_2 - 1)$. The drive current is then $I_{\text{source}} = V_1 \div R_{\text{source}}$.

Table 65 summarizes the signal impedance targets. The driver impedance are targeted at minimum V_{DD} , nominal OV_{DD} , 105°C.

Table 65. Impedance Characteristics

| Impedance | Local Bus, Ethernet, DUART, Control, Configuration, Power Management | PCI Signals (Not Including PCI Output Clocks) | PCI Output Clocks (Including PCI_SYNC_OUT) | DDR DRAM | Symbol | Unit |
|--------------|--|---|--|-----------|-------------------|------|
| R_N | 42 Target | 25 Target | 42 Target | 20 Target | Z_0 | W |
| R_P | 42 Target | 25 Target | 42 Target | 20 Target | Z_0 | W |
| Differential | NA | NA | NA | NA | Z_{DIFF} | W |

Note: Nominal supply voltages. See Table 1, $T_j = 105^\circ\text{C}$.

21.6 Configuration Pin Multiplexing

The MPC8349EA power-on configuration options can be set through external pull-up or pull-down resistors of 4.7 k Ω on certain output pins (see the customer-visible configuration pins). These pins are used as output only pins in normal operation.

However, while $\overline{\text{HRESET}}$ is asserted, these pins are treated as inputs, and the value on these pins is latched when $\overline{\text{PORESET}}$ deasserts. Then the input receiver is disabled and the I/O circuit takes on its normal function. Careful board layout with stubless connections to these pull-up/pull-down resistors coupled with the large value of the pull-up/pull-down resistor should minimize the disruption of signal quality or speed for the output pins.

21.7 Pull-Up Resistor Requirements

The MPC8349EA requires high resistance pull-up resistors (10 k Ω is recommended) on open-drain pins, including I²C pins, and IPIC interrupt pins.

For more information on required pull-up resistors and the connections required for the JTAG interface, refer to application note AN2931, “PowerQUICC Design Checklist.”

22 Ordering Information

This section presents ordering information for the device discussed in this document, and it shows an example of how the parts are marked.

NOTE

The information in this document is accurate for revision 3.x silicon and later (in other words, for orderable part numbers ending in A or B). For information on revision 1.1 silicon and earlier versions, see the *MPC8349E PowerQUICC II Pro Integrated Host Processor Hardware Specifications* (Document Order No. MPC8349EEC).

22.1 Part Numbers Fully Addressed by This Document

Table 66 shows an analysis of the Freescale part numbering nomenclature for the MPC8349EA. The individual part numbers correspond to a maximum processor core frequency. Each part number also contains a revision code that refers to the die mask revision number. For available frequency configuration parts including extended temperatures, refer to the device product summary page on our website listed on the back cover of this document or, contact your local Freescale sales office.

Table 66. Part Numbering Nomenclature

| MPC | nnnn | e | t | pp | aa | a | r |
|--------------|-----------------|--------------------------------------|--|--------------------------------|---|---------------------------------|----------------|
| Product Code | Part Identifier | Encryption Acceleration | Temperature ¹ Range | Package ² | Processor Frequency ³ | Platform Frequency | Revision Level |
| MPC | 8349 | Blank = Not included E = included | Blank = 0 to 105°C C = -40 to 105°C | ZU = TBGA VV = PB free TBGA | e300 core speed AG = 400 AJ = 533 AL = 667 | D = 266 F = 333 ⁴ | B = 3.1 |

Notes:

1. For temperature range = C, processor frequency is limited to with a platform frequency of 266 and up to 533 with a platform frequency of 333
2. See Section 18, "Package and Pin Listings," for more information on available package types.
3. Processor core frequencies supported by parts addressed by this specification only. Not all parts described in this specification support all core frequencies. Additionally, parts addressed by Part Number Specifications may support other maximum core frequencies.
4. ALF marked parts support DDR1 data rate up to 333 MHz (at 333 MHz CSB as the 'F' marking implies) and DDR2 data rate up to 400 MHz (at 200 MHz CSB). AJF marked parts support DDR1 and DDR2 data rate up to 333 MHz (at a CSB of 333 MHz).

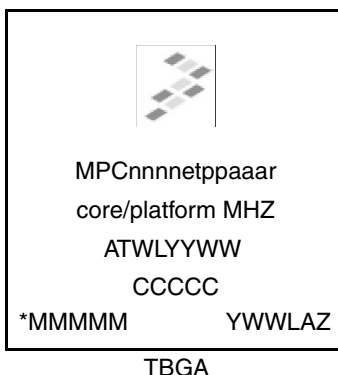
Table 67 shows the SVR settings by device and package type.

Table 67. SVR Settings

| Device | Package | SVR (Rev. 3.0) |
|-----------|---------|----------------|
| MPC8349EA | TBGA | 8050_0030 |
| MPC8349A | TBGA | 8051_0030 |

22.2 Part Marking

Parts are marked as in the example shown in [Figure 44](#).



Notes:

- ATWLYYWW is the traceability code.
- CCCCC is the country code.
- MMMMM is the mask number.
- YWWLAZ is the assembly traceability code.

Figure 44. Freescale Part Marking for TBGA Devices

23 Document Revision History

This table provides a revision history of this document.

Table 68. Document Revision History

| Rev. Number | Date | Substantive Change(s) |
|-------------|---------|--|
| 13 | 09/2011 | <ul style="list-style-type: none"> • In Section 2.2, “Power Sequencing,” added Section 2.2.1, “Power-Up Sequencing” and Figure 4. • In Table 25, Table 29 and Table 31, removed the GTX_CLK125. • In Table 34, updated t_{MDKHDX} Max value from 170ns to 70ns. |
| 12 | 11/2010 | <ul style="list-style-type: none"> • In Table 55 added note for pin LGPL4. • In Section 21.7, “Pull-Up Resistor Requirements, updated the list of open drain type pins. |
| 11 | 05/2010 | <ul style="list-style-type: none"> • In Table 25 through Table 30, changed $V_{IL}(\text{min})$ to $V_{IH}(\text{max})$ to (20%–80%). • Added Table 8, “EC_GTX_CLK125 AC Timing Specifications.” |
| 10 | 5/2009 | <ul style="list-style-type: none"> • In Table 57, updated frequency for max csb_clk to 333 MHz and DDR2, from 100-200 to 100-133 at core frequency = 533MHz. • In Section 18.1, “Package Parameters for the MPC8349EA TBGA, changed solder ball for TBGA and PBGA from 95.5 Sn/0.5 Cu/4 Ag to 96.5 Sn/3.5 Ag. • In Table 66, footnote 1, changed 667(TBGA) to 533(TBGA). footnote 4, added data rate for DDR1 and DDR2. |

Table 68. Document Revision History (continued)

| Rev. Number | Date | Substantive Change(s) |
|-------------|---------|---|
| 9 | 2/2009 | <ul style="list-style-type: none"> • Added footnote 6 to Table 7. • In Section 9.2, “USB AC Electrical Specifications,” clarified that AC table is for ULPI only. • In Table 39, corrected t_{LBKHOV} parameter to t_{LBKLOV} (output data is driven on falling edge of clock in DLL bypass mode). Similarly, made the same correction to Figure 22, Figure 24, and Figure 25 for output signals. • Added footnote 11 to Table 55. • Added footnote 4 to Table 66. • In Section 21.1, “System Clocking,” removed “(AVDD1)” and “(AVDD2)” from bulleted list. • In Section 21.2, “PLL Power Supply Filtering,” in the second paragraph, changed “provide five independent filter circuits,” and “the five AVDD pins” to provide four independent filter circuits,” and “the four AVDD pins.” • In Table 57, corrected the max csb_clk to 266 MHz. • In Table 62, added PLL configurations 903, 923, A03, A23, and 503 for 533 MHz • In Table 66, updated note 1 to say the following: “For temperature range = C, processor frequency is limited to 533 with a platform frequency of 266.” |
| 8 | 4/2007 | <ul style="list-style-type: none"> • In Table 3, “Output Drive Capability,” changed the values in the Output Impedance column and added USB to the seventh row. • In Section 21.7, “Pull-Up Resistor Requirements,” deleted last two paragraphs and after first paragraph, added a new paragraph. • Deleted Section 21.8, “JTAG Configuration Signals,” and Figure 43, “JTAG Interface Connection.” |
| 7 | 3/2007 | <ul style="list-style-type: none"> • In Table 57, “Operating Frequencies for TBGA,” in the ‘Coherent system bus frequency (csb_clk)’ row, changed the value in the 533 MHz column to 100-333. • In Table 63, “Suggested PLL Configurations,” under the subhead, ‘33 MHz CLKIN/PCI_CLK Options,’ added row A03 between Ref. No. 724 and 804. Under the subhead ‘66 MHz CLKIN/PCI_CLK Options,’ added row 503 between Ref. No. 305 and 404. For Ref. No. 306, changed the CORE PLL value to 0000110. • In Section 23, “Ordering Information,” replaced first paragraph and added a note. • In Section 23.1, “Part Numbers Fully Addressed by this Document,” replaced first paragraph. |
| 6 | 2/2007 | <ul style="list-style-type: none"> • Page 1, updated first paragraph to reflect PowerQUICC II Pro information. • In Table 18, “DDR and DDR2 SDRAM Input AC Timing Specifications,” added note 2 to t_{CISKEW} and deleted original note 3; renumbered the remaining notes. • In Figure 41, “JTAG Interface Connection,” updated with new figure. • In Section 23.1, “Part Numbers Fully Addressed by This Document,” replaced third sentence of first paragraph directing customer to product summary page for available frequency configuration parts. |
| 5 | 1/2007 | <ul style="list-style-type: none"> • In Table 1, “Absolute Maximum Ratings,” added (1.36 max for 667-MHz core frequency) to max V_{DD} and AV_{DD} values. • In Table 2, “Recommended Operating Conditions,” added a row showing nominal core supply voltage and PLL supply voltage of 1.3 V for 667-MHz parts. • In Table 4, “MPC8349EA Power Dissipation,” added two footnotes to 667-MHz row showing nominal core supply voltage and PLL supply voltage of 1.3 V for 667-MHz parts. • In Table 54, “MPC83479EA (TBGA) Pinout Listing,” updated V_{DD} and AV_{DD} rows to show nominal core supply voltage and PLL supply voltage of 1.3 V for 667-MHz parts. |
| 4 | 12/2006 | <p>Table 19, “DDR and DDR2 SDRAM Output AC Timing Specifications,” modified T_{ddkhd} for 333 MHz from 900 ps to 775 ps.</p> |

Table 68. Document Revision History (continued)

| Rev. Number | Date | Substantive Change(s) |
|-------------|---------|---|
| 3 | 11/2006 | <ul style="list-style-type: none"> • Updated note in introduction. • In the features list in Section 1, “Overview,” updated DDR data rate to show 400 MHz for DDR2 for TBGA parts for silicon 3.x and 400 MHz for DDR2 for TBGA parts for silicon 3.x. • In Section 23, “Ordering Information,” replicated note from document introduction. |
| 2 | 8/2006 | <ul style="list-style-type: none"> • Changed all references to revision 2.0 silicon to revision 3.0 silicon. • Changed VIH minimum value in Table 40, “JTAG Interface DC Electrical Characteristics,” to $OV_{DD} - 0.3$. • In Table 44, “PCI DC Electrical Characteristics,” changed high-level input voltage values to min = 2 and max = $OV_{DD} + 0.3$; changed low-level input voltage values to min = (-0.3) and max = 0.8. • Updated DDR2 I/O power values in Table 5, “MPC8347EA Typical I/O Power Dissipation.” • In Table 66, “Suggested PLL Configurations,” deleted reference-number rows 902 and 703. |
| 1 | 4/2006 | <ul style="list-style-type: none"> • Removed Table 20, “Timing Parameters for DDR2-400.” • Changed ADDR/CMD to ADDR/CMD/MODT in Table 9, “DDR and DDR2 SDRAM Output AC Timing Specifications,” rows 2 and 3, and in Figure 2, “DDR SDRAM Output Timing Diagram. • Changed Min and Max values for V_{IH} and V_{IL} in Table 40Table 44, “PCI DC Electrical Characteristics.” • In Table 55, “MPC8349EA (TBGA) Pinout Listing,” and Table 52, “MPC8347EA (PBGA) Pinout Listing,” modified rows for MDICO and MDIC1 signals and added note ‘It is recommended that MDICO be tied to GRD using an 18 Ω resistor and MCIC1 be tied to DDR power using an 18 Ω resistor.’ • Table 55, “MPC8349EA (TBGA) Pinout Listing,” in row AVDD3 changed power supply from “AVDD3” to ‘—.’ |
| 0 | 3/2006 | Initial public release |

How to Reach Us:

Home Page:

www.freescale.com

Web Support:

<http://www.freescale.com/support>

USA/Europe or Locations Not Listed:

Freescale Semiconductor, Inc.
 Technical Information Center, EL516
 2100 East Elliot Road
 Tempe, Arizona 85284
 1-800-521-6274 or
 +1-480-768-2130
www.freescale.com/support

Europe, Middle East, and Africa:

Freescale Halbleiter Deutschland GmbH
 Technical Information Center
 Schatzbogen 7
 81829 Muenchen, Germany
 +44 1296 380 456 (English)
 +46 8 52200080 (English)
 +49 89 92103 559 (German)
 +33 1 69 35 48 48 (French)
www.freescale.com/support

Japan:

Freescale Semiconductor Japan Ltd.
 Headquarters
 ARCO Tower 15F
 1-8-1, Shimo-Meguro, Meguro-ku
 Tokyo 153-0064
 Japan
 0120 191014 or
 +81 3 5437 9125
support.japan@freescale.com

Asia/Pacific:

Freescale Semiconductor China Ltd.
 Exchange Building 23F
 No. 118 Jianguo Road
 Chaoyang District
 Beijing 100022
 China
 +86 10 5879 8000
support.asia@freescale.com

For Literature Requests Only:

Freescale Semiconductor
 Literature Distribution Center
 1-800 441-2447 or
 +1-303-675-2140
 Fax: +1-303-675-2150
LDCForFreescaleSemiconductor@hibbertgroup.com

Information in this document is provided solely to enable system and software implementers to use Freescale Semiconductor products. There are no express or implied copyright licenses granted hereunder to design or fabricate any integrated circuits or integrated circuits based on the information in this document.

Freescale Semiconductor reserves the right to make changes without further notice to any products herein. Freescale Semiconductor makes no warranty, representation or guarantee regarding the suitability of its products for any particular purpose, nor does Freescale Semiconductor assume any liability arising out of the application or use of any product or circuit, and specifically disclaims any and all liability, including without limitation consequential or incidental damages. "Typical" parameters which may be provided in Freescale Semiconductor data sheets and/or specifications can and do vary in different applications and actual performance may vary over time. All operating parameters, including "Typicals" must be validated for each customer application by customer's technical experts. Freescale Semiconductor does not convey any license under its patent rights nor the rights of others. Freescale Semiconductor products are not designed, intended, or authorized for use as components in systems intended for surgical implant into the body, or other applications intended to support or sustain life, or for any other application in which the failure of the Freescale Semiconductor product could create a situation where personal injury or death may occur. Should Buyer purchase or use Freescale Semiconductor products for any such unintended or unauthorized application, Buyer shall indemnify and hold Freescale Semiconductor and its officers, employees, subsidiaries, affiliates, and distributors harmless against all claims, costs, damages, and expenses, and reasonable attorney fees arising out of, directly or indirectly, any claim of personal injury or death associated with such unintended or unauthorized use, even if such claim alleges that Freescale Semiconductor was negligent regarding the design or manufacture of the part.

Freescale, the Freescale logo and PowerQUICC are trademarks of Freescale Semiconductor, Inc. Reg. U.S. Pat. & Tm. Off. The Power Architecture and Power.org word marks and the Power and Power.org logos and related marks are trademarks and service marks licensed by Power.org.

© 2006–2011 Freescale Semiconductor, Inc.



X-ON Electronics

Largest Supplier of Electrical and Electronic Components

Click to view similar products for [Microprocessors - MPU category](#):

Click to view products by [NXP manufacturer](#):

Other Similar products are found below :

[A2C00010998 A](#) [ALXD800EEXJCVD C3](#) [A2C00010729 A](#) [T1022NSE7MQB](#) [TS68040MF33A](#) [MPC8313EVRADDC](#)
[BOXSTCK1A8LFCL](#) [UPD78F0503AMCA-CAB-G](#) [Z8018008VEG](#) [T1024NXN7MQA](#) [T2080NXE8PTB](#) [T2080NSE8PTB](#)
[CM8063501521600S R19L](#) [T2080NXE8T1B](#) [LS1043AXE7MQB](#) [LS1043ASE7QQB](#) [LS1012AXE7HKA](#) [T4240NSN7PQB](#)
[MVF30NN152CKU26](#) [FH8067303534005S R3ZM](#) [R9A07G044L24GBG#AC0](#) [R7S721030VLFP#AA0](#) [MCIMX6S6AVM08AC](#)
[MCIMX6U5DVM10AC](#) [TEN54LSDV23GME](#) [MCF5482CVR166](#) [MPC8314VRAGDA](#) [MPC8315VRAGDA](#) [PIC16F1828-I/SS](#)
[PIC16F690T-I/SS](#) [PIC16F1823-I/SL](#) [PIC18LF14K50-I/SS](#) [LS1021AXN7HNB](#) [AT91SAM9XE256-CU](#) [NS7520B-1-I46](#) [AT91SAM9G35-CU](#)
[AT91SAM9X25-CU](#) [ST7FLIT35F2DAKTR](#) [Z84C0006PEG](#) [AM1808EZWT4](#) [MPC8347CVRADDB](#) [MCIMX6V7DVN10AB](#)
[LS1043ASN7PQB](#) [GD32F303RCT6](#) [SMS3700HAX4DQE](#) [ADD4200IAA5DOE](#) [ST7PLITE05OBXTR](#) [AT91RM9200-CJ-002](#)
[AT91RM9200-QU-002](#) [AT91SAM9CN12B-CFU](#)