

# MPC8560

## Integrated Processor

## Hardware Specifications

The MPC8560 integrates a PowerPC™ processor core built on Power Architecture™ technology with system logic required for networking, telecommunications, and wireless infrastructure applications. The MPC8560 is a member of the PowerQUICC™ III family of devices that combine system-level support for industry-standard interfaces with processors that implement the embedded category of the Power Architecture technology. For functional characteristics of the processor, refer to the *MPC8560 PowerQUICC III Integrated Communications Processor Reference Manual*.

To locate any published errata or updates for this document, contact your Freescale sales office.

### Contents

1. Overview .....	2
2. Electrical Characteristics .....	8
3. Power Characteristics .....	13
4. Clock Timing .....	15
5. RESET Initialization .....	17
6. DDR SDRAM .....	18
7. Ethernet: Three-Speed, MII Management .....	23
8. Local Bus .....	34
9. CPM .....	43
10. JTAG .....	50
11. I2C .....	52
12. PCI/PCI-X .....	54
13. RapidIO .....	58
14. Package and Pin Listings .....	70
15. Clocking .....	80
16. Thermal .....	82
17. System Design Information .....	92
18. Document Revision History .....	99
19. Device Nomenclature .....	104

# 1 Overview

The following section provides a high-level overview of the MPC8560 features. Figure 1 shows the major functional units within the MPC8560.

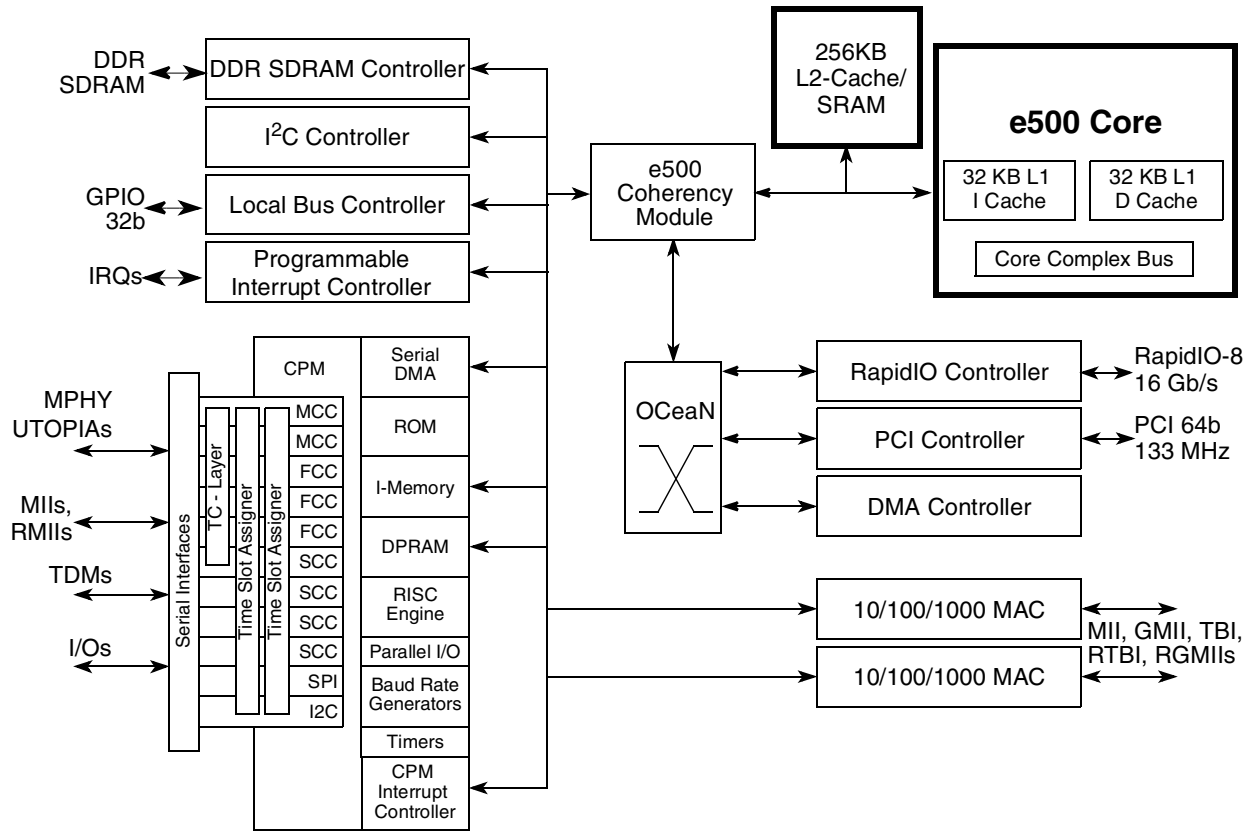


Figure 1. MPC8560 Block Diagram

## 1.1 Key Features

The following lists an overview of the MPC8560 feature set.

- High-performance, 32-bit Book E-enhanced core that implements the Power Architecture
  - 32-Kbyte L1 instruction cache and 32-Kbyte L1 data cache with parity protection. Caches can be locked entirely or on a per-line basis. Separate locking for instructions and data
  - Memory management unit (MMU) especially designed for embedded applications
  - Enhanced hardware and software debug support
  - Performance monitor facility (similar to but different from the MPC8560 performance monitor described in Chapter 18, “Performance Monitor.”)
- High-performance RISC CPM operating at up to 333 MHz
  - CPM software compatibility with previous PowerQUICC families
  - One instruction per clock

- Executes code from internal ROM or instruction RAM
- 32-bit RISC architecture
- Tuned for communication environments: instruction set supports CRC computation and bit manipulation.
- Internal timer
- Interfaces with the embedded e500 core processor through a 32-Kbyte dual-port RAM and virtual DMA channels for each peripheral controller
- Handles serial protocols and virtual DMA.
- Three full-duplex fast serial communications controllers (FCCs) that support the following protocols:
  - ATM protocol through UTOPIA interface (FCC1 and FCC2 only)
  - IEEE Std 802.3™/Fast Ethernet
  - HDLC
  - Totally transparent operation
- Two multi-channel controllers (MCCs) that together can handle up to 256 HDLC/transparent channels at 64 Kbps each, multiplexed on up to 8 TDM interfaces
- Four full-duplex serial communications controllers (SCCs) that support the following protocols:
  - High level/synchronous data link control (HDLC/SDLC)
  - LocalTalk (HDLC-based local area network protocol)
  - Universal asynchronous receiver transmitter (UART)
  - Synchronous UART (1x clock mode)
  - Binary synchronous communication (BISYNC)
  - Totally transparent operation
- Serial peripheral interface (SPI) support for master or slave
- I<sup>2</sup>C bus controller
- Time-slot assigner supports multiplexing of data from any of the SCCs and FCCs onto eight time-division multiplexed (TDM) interfaces. The time-slot assigner supports the following TDM formats:
  - T1/CEPT lines
  - T3/E3
  - Pulse code modulation (PCM) highway interface
  - ISDN primary rate
  - Freescale interchip digital link (IDL)
  - General circuit interface (GCI)
- User-defined interfaces
- Eight independent baud rate generators (BRGs)
- Four general-purpose 16-bit timers or two 32-bit timers

- General-purpose parallel ports—16 parallel I/O lines with interrupt capability
- Supports inverse muxing of ATM cells (IMA)
- 256 Kbyte L2 cache/SRAM
  - Can be configured as follows
    - Full cache mode (256-Kbyte cache).
    - Full memory-mapped SRAM mode (256-Kbyte SRAM mapped as a single 256-Kbyte block or two 128-Kbyte blocks)
    - Half SRAM and half cache mode (128-Kbyte cache and 128-Kbyte memory-mapped SRAM)
  - Full ECC support on 64-bit boundary in both cache and SRAM modes
  - Cache mode supports instruction caching, data caching, or both
  - External masters can force data to be allocated into the cache through programmed memory ranges or special transaction types (stashing)
  - Eight-way set-associative cache organization (1024 sets of 32-byte cache lines)
  - Supports locking the entire cache or selected lines. Individual line locks are set and cleared through Book E instructions or by externally mastered transactions
  - Global locking and flash clearing done through writes to L2 configuration registers
  - Instruction and data locks can be flash cleared separately
  - Read and write buffering for internal bus accesses
  - SRAM features include the following:
    - I/O devices access SRAM regions by marking transactions as snoopable (global)
    - Regions can reside at any aligned location in the memory map
    - Byte accessible ECC is protected using read-modify-write transactions accesses for smaller than cache-line accesses.
- Address translation and mapping unit (ATMU)
  - Eight local access windows define mapping within local 32-bit address space
  - Inbound and outbound ATMUs map to larger external address spaces
    - Three inbound windows plus a configuration window on PCI/PCI-X
    - Four inbound windows plus a default and configuration window on RapidIO
    - Four outbound windows plus default translation for PCI
    - Eight outbound windows plus default translation for RapidIO
- DDR memory controller
  - Programmable timing supporting DDR-1 SDRAM
  - 64-bit data interface, up to 333-MHz data rate
  - Four banks of memory supported, each up to 1 Gbyte
  - DRAM chip configurations from 64 Mbits to 1 Gbit with x8/x16 data ports
  - Full ECC support
  - Page mode support (up to 16 simultaneous open pages)

- Contiguous or discontinuous memory mapping
- Read-modify-write support for RapidIO atomic increment, decrement, set, and clear transactions
- Sleep mode support for self refresh SDRAM
- Supports auto refreshing
- On-the-fly power management using CKE signal
- Registered DIMM support
- Fast memory access via JTAG port
- 2.5-V SSTL2 compatible I/O
- RapidIO interface unit
  - 8-bit RapidIO I/O and messaging protocols
  - Source-synchronous double data rate (DDR) interfaces
  - Supports small type systems (small domain, 8-bit device ID)
  - Supports four priority levels (ordering within a level)
  - Reordering across priority levels
  - Maximum data payload of 256 bytes per packet
  - Packet pacing support at the physical layer
  - CRC protection for packets
  - Supports atomic operations increment, decrement, set, and clear
  - LVDS signaling
- RapidIO-compliant message unit
  - One inbound data message structure (inbox)
  - One outbound data message structure (outbox)
  - Supports chaining and direct modes in the outbox
  - Support of up to 16 packets per message
  - Support of up to 256 bytes per packet and up to 4 Kbytes of data per message
  - Supports one inbound doorbell message structure
- Programmable interrupt controller (PIC)
  - Programming model is compliant with the OpenPIC architecture
  - Supports 16 programmable interrupt and processor task priority levels
  - Supports 12 discrete external interrupts
  - Supports 4 message interrupts with 32-bit messages
  - Supports connection of an external interrupt controller such as the 8259 programmable interrupt controller
  - Four global high resolution timers/counters that can generate interrupts
  - Supports 22 other internal interrupt sources
  - Supports fully nested interrupt delivery
  - Interrupts can be routed to external pin for external processing

- Interrupts can be routed to the e500 core's standard or critical interrupt inputs
- Interrupt summary registers allow fast identification of interrupt source
- I<sup>2</sup>C controller
  - Two-wire interface
  - Multiple master support
  - Master or slave I<sup>2</sup>C mode support
  - On-chip digital filtering rejects spikes on the bus
- Boot sequencer
  - Optionally loads configuration data from serial ROM at reset via the I<sup>2</sup>C interface
  - Can be used to initialize configuration registers and/or memory
  - Supports extended I<sup>2</sup>C addressing mode
  - Data integrity checked with preamble signature and CRC
- Local bus controller (LBC)
  - Multiplexed 32-bit address and data operating at up to 166 MHz
  - Eight chip selects support eight external slaves
  - Up to eight-beat burst transfers
  - The 32-, 16-, and 8-bit port sizes are controlled by an on-chip memory controller
  - Three protocol engines available on a per chip select basis:
    - General purpose chip select machine (GPCM)
    - Three user programmable machines (UPMs)
    - Dedicated single data rate SDRAM controller
  - Parity support
  - Default boot ROM chip select with configurable bus width (8-,16-, or 32-bit)
- Two three-speed (10/100/1Gb) Ethernet controllers (TSECs)
  - Dual IEEE 802.3, 802.3u, 802.3x, 802.3z, 802.3ac, 802.3ab compliant controllers
  - Support for different Ethernet physical interfaces:
    - 10/100/1Gb Mbps IEEE 802.3 GMII
    - 10/100 Mbps IEEE 802.3 MII
    - 10 Mbps IEEE 802.3 MII
    - 1000 Mbps IEEE 802.3z TBI
    - 10/100/1Gb Mbps RGMII/RTBI
  - Full- and half-duplex support
  - Buffer descriptors are backward compatible with MPC8260 and MPC860T 10/100 programming models
  - 9.6-Kbyte jumbo frame support
  - RMON statistics support
  - 2-Kbyte internal transmit and receive FIFOs

- MII management interface for control and status
- Programmable CRC generation and checking
- Ability to force allocation of header information and buffer descriptors into L2 cache.
- OCeaN switch fabric
  - Four-port crossbar packet switch
  - Reorders packets from a source based on priorities
  - Reorders packets to bypass blocked packets
  - Implements starvation avoidance algorithms
  - Supports packets with payloads of up to 256 bytes
- Integrated DMA controller
  - Four-channel controller
  - All channels accessible by both the local and remote masters
  - Extended DMA functions (advanced chaining and striding capability)
  - Support for scatter and gather transfers
  - Misaligned transfer capability
  - Interrupt on completed segment, link, list, and error
  - Supports transfers to or from any local memory or I/O port
  - Selectable hardware-enforced coherency (snoop/no-snoop)
  - Ability to start and flow control each DMA channel from external 3-pin interface
  - Ability to launch DMA from single write transaction
- PCI/PCI-X controller
  - PCI 2.2 and PCI-X 1.0 compatible
  - 64- or 32-bit PCI port supports at 16 to 66 MHz
  - 64-bit PCI-X support up to 133 MHz
  - Host and agent mode support
  - 64-bit dual address cycle (DAC) support
  - PCI-X supports multiple split transactions
  - Supports PCI-to-memory and memory-to-PCI streaming
  - Memory prefetching of PCI read accesses
  - Supports posting of processor-to-PCI and PCI-to-memory writes
  - PCI 3.3-V compatible
  - Selectable hardware-enforced coherency
- Power management
  - Fully static 1.2-V CMOS design with 3.3- and 2.5-V I/O
  - Supports power saving modes: doze, nap, and sleep
  - Employs dynamic power management, which automatically minimizes power consumption of blocks when they are idle.

- System performance monitor
  - Supports eight 32-bit counters that count the occurrence of selected events
  - Ability to count up to 512 counter-specific events
  - Supports 64 reference events that can be counted on any of the 8 counters
  - Supports duration and quantity threshold counting
  - Burstiness feature that permits counting of burst events with a programmable time between bursts
  - Triggering and chaining capability
  - Ability to generate an interrupt on overflow
- System access port
  - Uses JTAG interface and a TAP controller to access entire system memory map
  - Supports 32-bit accesses to configuration registers
  - Supports cache-line burst accesses to main memory
  - Supports large block (4-Kbyte) uploads and downloads
  - Supports continuous bit streaming of entire block for fast upload and download
- IEEE Std 1149.1™-compliant, JTAG boundary scan
- 783 FC-PBGA package

## 2 Electrical Characteristics

This section provides the electrical specifications and thermal characteristics for the MPC8560. The MPC8560 is currently targeted to these specifications. Some of these specifications are independent of the I/O cell, but are included for a more complete reference. These are not purely I/O buffer design specifications.

### 2.1 Overall DC Electrical Characteristics

This section covers the ratings, conditions, and other characteristics.

#### 2.1.1 Absolute Maximum Ratings

Table 1 provides the absolute maximum ratings.

**Table 1. Absolute Maximum Ratings <sup>1</sup>**

Characteristic	Symbol	Max Value	Unit	Notes
Core supply voltage For devices rated at 667 and 833 MHz For devices rated at 1 GHz	$V_{DD}$	-0.3 to 1.32 -0.3 to 1.43	V	—
PLL supply voltage For devices rated at 667 and 833 MHz For devices rated at 1 GHz	$AV_{DD}$	-0.3 to 1.32 -0.3 to 1.43	V	—



**Table 1. Absolute Maximum Ratings <sup>1</sup> (continued)**

Characteristic		Symbol	Max Value	Unit	Notes
DDR DRAM I/O voltage		$GV_{DD}$	-0.3 to 3.63	V	—
Three-speed Ethernet I/O voltage		$LV_{DD}$	-0.3 to 3.63 -0.3 to 2.75	V	—
CPM, PCI/PCI-X, local bus, RapidIO, 10/100 Ethernet, MII management, DUART, system control and power management, I <sup>2</sup> C, and JTAG I/O voltage		$OV_{DD}$	-0.3 to 3.63	V	3
Input voltage	DDR DRAM signals	$MV_{IN}$	-0.3 to ( $GV_{DD} + 0.3$ )	V	2, 5
	DDR DRAM reference	$MV_{REF}$	-0.3 to ( $GV_{DD} + 0.3$ )	V	2, 5
	Three-speed Ethernet signals	$LV_{IN}$	-0.3 to ( $LV_{DD} + 0.3$ )	V	4, 5
	CPM, Local bus, RapidIO, 10/100 Ethernet, SYSCLK, system control and power management, I <sup>2</sup> C, and JTAG signals	$OV_{IN}$	-0.3 to ( $OV_{DD} + 0.3$ )	V	5
	PCI/PCI-X	$OV_{IN}$	-0.3 to ( $OV_{DD} + 0.3$ )	V	6
Storage temperature range		$T_{STG}$	-55 to 150	°C	—

**Notes:**

1. Functional and tested operating conditions are given in [Table 2](#). Absolute maximum ratings are stress ratings only, and functional operation at the maximums is not guaranteed. Stresses beyond those listed may affect device reliability or cause permanent damage to the device.
2. **Caution:**  $MV_{IN}$  must not exceed  $GV_{DD}$  by more than 0.3 V. This limit may be exceeded for a maximum of 20 ms during power-on reset and power-down sequences.
3. **Caution:**  $OV_{IN}$  must not exceed  $OV_{DD}$  by more than 0.3 V. This limit may be exceeded for a maximum of 20 ms during power-on reset and power-down sequences.
4. **Caution:**  $LV_{IN}$  must not exceed  $LV_{DD}$  by more than 0.3 V. This limit may be exceeded for a maximum of 20 ms during power-on reset and power-down sequences.
5. (M,L,O) $V_{IN}$  and  $MV_{REF}$  may overshoot/undershoot to a voltage and for a maximum duration as shown in [Figure 2](#).
6.  $OV_{IN}$  on the PCI interface may overshoot/undershoot according to the PCI Electrical Specification for 3.3-V operation, as shown in [Figure 3](#).

## 2.1.2 Power Sequencing

The MPC8560 requires its power rails to be applied in a specific sequence in order to ensure proper device operation. These requirements are as follows for power up:

1.  $V_{DD}$ ,  $AV_{DD}$
2.  $GV_{DD}$ ,  $LV_{DD}$ ,  $OV_{DD}$  (I/O supplies)

Items on the same line have no ordering requirement with respect to one another. Items on separate lines must be ordered sequentially such that voltage rails on a previous step must reach 90 percent of their value before the voltage rails on the current step reach 10 percent of theirs.

**NOTE**

If the items on line 2 must precede items on line 1, please ensure that the delay will not exceed 500 ms and the power sequence is not done greater than once per day in production environment.

**NOTE**

From a system standpoint, if the I/O power supplies ramp prior to the  $V_{DD}$  core supply, the I/Os on the MPC8560 may drive a logic one or zero during power-up.

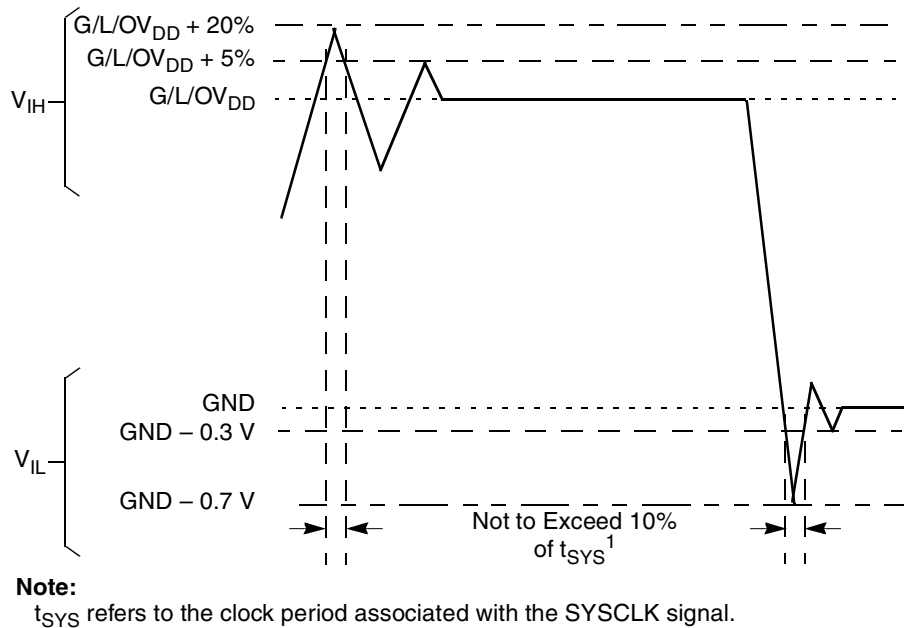
### 2.1.3 Recommended Operating Conditions

Table 2 provides the recommended operating conditions for the MPC8560. Note that the values in Table 2 are the recommended and tested operating conditions. Proper device operation outside of these conditions is not guaranteed.

**Table 2. Recommended Operating Conditions**

Characteristic		Symbol	Recommended Value	Unit
Core supply voltage For devices rated at 667 and 833 MHz For devices rated at 1 GHz		$V_{DD}$	1.2 V $\pm$ 60 mV 1.3 V $\pm$ 50 mV	V
PLL supply voltage For devices rated at 667 and 833 MHz For devices rated at 1 GHz		$AV_{DD}$	1.2 V $\pm$ 60 mV 1.3 V $\pm$ 50 mV	V
DDR DRAM I/O voltage		$GV_{DD}$	2.5 V $\pm$ 125 mV	V
Three-speed Ethernet I/O voltage		$LV_{DD}$	3.3 V $\pm$ 165 mV 2.5 V $\pm$ 125 mV	V
CPM, PCI/PCI-X, local bus, RapidIO, 10/100 Ethernet, MII management, DUART, system control and power management, I <sup>2</sup> C, and JTAG I/O voltage		$OV_{DD}$	3.3 V $\pm$ 165 mV	V
Input voltage	DDR DRAM signals	$MV_{IN}$	GND to $GV_{DD}$	V
	DDR DRAM reference	$MV_{REF}$	GND to $GV_{DD}/2$	V
	Three-speed Ethernet signals	$LV_{IN}$	GND to $LV_{DD}$	V
	CPM, PCI/PCI-X, local bus, RapidIO, 10/100 Ethernet, MII management, DUART, SYSCLK, system control and power management, I <sup>2</sup> C, and JTAG signals	$OV_{IN}$	GND to $OV_{DD}$	V
Die-junction temperature		$T_j$	0 to 105	°C

Figure 2 shows the overshoot and undershoot voltages at the interfaces of the MPC8560.



**Figure 2. Overshoot/Undershoot Voltage for  $GV_{DD}/OV_{DD}/LV_{DD}$**

The MPC8560 core voltage must always be provided at nominal 1.2 V (see Table 2 for actual recommended core voltage). Voltage to the processor interface I/Os are provided through separate sets of supply pins and must be provided at the voltages shown in Table 2. The input voltage threshold scales with respect to the associated I/O supply voltage.  $OV_{DD}$  and  $LV_{DD}$  based receivers are simple CMOS I/O circuits and satisfy appropriate LVCMOS type specifications. The DDR SDRAM interface uses a single-ended differential receiver referenced the externally supplied  $MV_{REF}$  signal (nominally set to  $GV_{DD}/2$ ) as is appropriate for the SSTL2 electrical signaling standard.

Figure 3 shows the undershoot and overshoot voltage of the PCI interface of the MPC8560 for the 3.3-V signals, respectively.

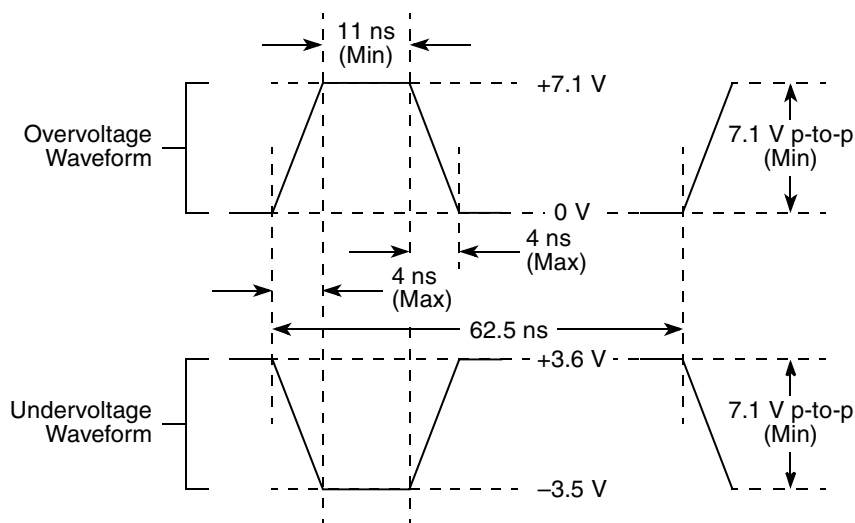


Figure 3. Maximum AC Waveforms on PCI interface for 3.3-V Signaling

## 2.1.4 Output Driver Characteristics

Table 3 provides information on the characteristics of the output driver strengths. The values are preliminary estimates.

Table 3. Output Drive Capability

Driver Type	Programmable Output Impedance ( $\Omega$ )	Supply Voltage	Notes
Local bus interface utilities signals	25	$OV_{DD} = 3.3\text{ V}$	1
	42 (default)		
PCI signals	25		2
	42 (default)		
DDR signal	20	$GV_{DD} = 2.5\text{ V}$	—
CPM PA, PB, PC, and PD signals	42	$OV_{DD} = 3.3\text{ V}$	—
TSEC/10/100 signals	42	$LV_{DD} = 2.5/3.3\text{ V}$	—
DUART, system control, I2C, JTAG	42	$OV_{DD} = 3.3\text{ V}$	—
RapidIO N/A (LVDS signaling)	N/A		—

**Notes:**

1. The drive strength of the local bus interface is determined by the configuration of the appropriate bits in PORIMPSR.
2. The drive strength of the PCI interface is determined by the setting of the  $\overline{PCI\_GNT1}$  signal at reset.

### 3 Power Characteristics

The estimated power dissipation on the  $V_{DD}$  supply for the MPC8560 is shown in [Table 4](#).

**Table 4. MPC8560  $V_{DD}$  Power Dissipation** <sup>1,2</sup>

CCB Frequency (MHz)	Core Frequency (MHz)	Typical Power <sup>3,4</sup>	Maximum Power <sup>5</sup>	Unit
200	400	5.1	7.7	W
	500	5.4	8.0	
	600	5.8	8.4	
267	533	6.0	8.7	W
	667	6.4	9.2	
	800	6.9	10.7	
333	667	6.8	9.8	W
	833	7.4	11.4	
	1000 <sup>6</sup>	11.9	16.5	

**Notes:**

1. The values do not include I/O supply power ( $OV_{DD}$ ,  $LV_{DD}$ ,  $GV_{DD}$ ) or  $AV_{DD}$ .
2. Junction temperature is a function of die size, on-chip power dissipation, package thermal resistance, mounting site (board) temperature, air flow, power dissipation of other components on the board, and board thermal resistance. Any customer design must take these considerations into account to ensure the maximum 105 °C junction temperature is not exceeded on this device.
3. Typical Power is based on a nominal voltage of  $V_{DD} = 1.2$  V, a nominal process, a junction temperature of  $T_j = 105$  °C, and a Dhrystone 2.1 benchmark application.
4. Thermal solutions will likely need to design to a number higher than Typical Power based on the end application,  $T_A$  target, and I/O power.
5. Maximum power is based on a nominal voltage of  $V_{DD} = 1.2$  V, worst case process, a junction temperature of  $T_j = 105$  °C, and an artificial smoke test.
6. The nominal recommended  $V_{DD}$  is 1.3 V for this speed grade.

The estimated power dissipation on the  $AV_{DD}$  supplies for the MPC8560 PLLs is shown in [Table 5](#).

**Table 5. MPC8560  $AV_{DD}$  Power Dissipation**

$AV_{DDn}$	Typical <sup>1</sup>	Unit
$AV_{DD1}$	0.007	W
$AV_{DD2}$	0.014	W
$AV_{DD3}$	0.004	W

**Notes:**

1.  $V_{DD} = 1.2$  V (1.3 V for 1.0 GHz device),  $T_j = 105$  °C

Table 6 provides estimated I/O power numbers for each block: DDR, PCI, Local Bus, RapidIO, TSEC, and CPM.

**Table 6. Estimated Typical I/O Power Consumption**

Interface	Parameter	GV <sub>DD</sub> (2.5 V)	OV <sub>DD</sub> (3.3 V)	LV <sub>DD</sub> (3.3 V)	LV <sub>DD</sub> (2.5 V)	Units	Notes
DDR I/O	CCB = 200 MHz	0.46	—	—	—	W	1
	CCB = 266 MHz	0.59	—	—	—		
	CCB = 300 MHz	0.66	—	—	—		
	CCB = 333 MHz	0.73	—	—	—		
PCI/PCI-X I/O	32-bit, 33 MHz	—	0.04	—	—	W	2
	32-bit 66 MHz	—	0.07	—	—		
	64-bit, 66 MHz	—	0.14	—	—		
	64-bit, 133 MHz	—	0.25	—	—		
Local Bus I/O	32-bit, 33 MHz	—	0.07	—	—	W	3
	32-bit, 66 MHz	—	0.13	—	—		
	32-bit, 133 MHz	—	0.24	—	—		
	32-bit, 167 MHz	—	0.30	—	—		
RapidIO I/O	500 MHz data rate	—	0.96	—	—	W	4
TSEC I/O	MII	—	—	10	—	mW	5, 6
	GMII, TBI (2.5 V)	—	—	—	40		
	GMII, TBI (3.3 V)	—	—	70	—		
	RGMII, RTBI	—	—	—	40		
CPM-FCC	MII	—	15	—	—	mW	7
	RMII	—	13	—	—		
	HDLC 16 Mbps	—	9	—	—		
	UTOPIA-8 SPHY	—	60	—	—		
	UTOPIA-8 MPHY	—	100	—	—		
	UTOPIA-16 SPHY	—	94	—	—		
	UTOPIA-16 MPHY	—	135	—	—		
CPM-SCC	HDLC 16 Mbps	—	4	—	—	mW	7

**Table 6. Estimated Typical I/O Power Consumption (continued)**

Interface	Parameter	GV <sub>DD</sub> (2.5 V)	OV <sub>DD</sub> (3.3 V)	LV <sub>DD</sub> (3.3 V)	LV <sub>DD</sub> (2.5 V)	Units	Notes
TDMA or TDMB	Nibble mode	—	10	—	—	mW	7
	Per channel	—	5	—	—		

**Notes:**

- GV<sub>DD</sub>=2.5, ECC enabled, 66% bus utilization, 33% write cycles, 10pF load on data, 10pF load on address/command, 10pF load on clock
- OV<sub>DD</sub>=3.3, 30pF load per pin, 54% bus utilization, 33% write cycles
- OV<sub>DD</sub>=3.3, 25pF load per pin, 5pF load on clock, 40% bus utilization, 33% write cycles
- V<sub>DD</sub>=1.2, OV<sub>DD</sub>=3.3
- LV<sub>DD</sub>=2.5/3.3, 15pF load per pin, 25% bus utilization
- Power dissipation for one TSEC only
- OV<sub>DD</sub>=3.3, 10pF load per pin, 50% bus utilization

## 4 Clock Timing

### 4.1 System Clock Timing

Table 7 provides the system clock (SYSCLK) AC timing specifications for the MPC8560.

**Table 7. SYSCLK AC Timing Specifications**

Parameter/Condition	Symbol	Min	Typical	Max	Unit	Notes
SYSCLK frequency	f <sub>SYSCLK</sub>	—	—	166	MHz	1
SYSCLK cycle time	t <sub>SYSCLK</sub>	6.0	—	—	ns	—
SYSCLK rise and fall time	t <sub>KH</sub> , t <sub>KL</sub>	0.6	1.0	1.2	ns	2
SYSCLK duty cycle	t <sub>KHKL</sub> /t <sub>SYSCLK</sub>	40	—	60	%	3
SYSCLK jitter	—	—	—	+/- 150	ps	4, 5

**Notes:**

- Caution:** The CCB to SYSCLK ratio and e500 core to CCB ratio settings must be chosen such that the resulting SYSCLK frequency, e500 (core) frequency, and CCB frequency do not exceed their respective maximum or minimum operating frequencies. Refer to [Section 15.2, “Platform/System PLL Ratio,”](#) and [Section 15.3, “e500 Core PLL Ratio,”](#) for ratio settings.
- Rise and fall times for SYSCLK are measured at 0.6 V and 2.7 V.
- Timing is guaranteed by design and characterization.
- This represents the total input jitter—short term and long term—and is guaranteed by design.
- For spread spectrum clocking, guidelines are +/-1% of the input frequency with a maximum of 60 kHz of modulation regardless of the input frequency.

## 4.2 TSEC Gigabit Reference Clock Timing

Table 7 provides the TSEC gigabit reference clock (EC\_GTX\_CLK125) AC timing specifications for the MPC8560.

**Table 8. EC\_GTX\_CLK125 AC Timing Specifications**

Parameter/Condition	Symbol	Min	Typical	Max	Unit	Notes
EC_GTX_CLK125 frequency	$f_{G125}$	—	125	—	MHz	—
EC_GTX_CLK125 cycle time	$t_{G125}$	—	8	—	ns	—
EC_GTX_CLK125 rise and fall time LV <sub>DD</sub> =2.5 LV <sub>DD</sub> =3.3	$t_{G125R}, t_{G125F}$	—	—	0.75 1	ns	2
EC_GTX_CLK125 duty cycle GMII, TBI RGMII, RTBI	$t_{G125H}/t_{G125}$	45 47	—	55 53	%	1, 3

**Notes:**

1. Timing is guaranteed by design and characterization.
2. Rise and fall times for EC\_GTX\_CLK125 are measured from 0.5V and 2.0V for LV<sub>DD</sub>=2.5V, and from 0.6 and 2.7V for LV<sub>DD</sub>=3.3V.
3. EC\_GTX\_CLK125 is used to generate GTX clock for TSEC transmitter with 2% degradation EC\_GTX\_CLK125 duty cycle can be loosened from 47/53% as long as PHY device can tolerate the duty cycle generated by GTX\_CLK of TSEC.

## 4.3 RapidIO Transmit Clock Input Timing

Table 9 provides the RapidIO transmit clock input (RIO\_TX\_CLK\_IN) AC timing specifications for the MPC8560.

**Table 9. RIO\_TX\_CLK\_IN AC Timing Specifications**

Parameter/Condition	Symbol	Min	Typical	Max	Unit	Notes
RIO_TX_CLK_IN frequency	$f_{RCLK}$	125	—	—	MHz	—
RIO_TX_CLK_IN cycle time	$t_{RCLK}$	—	—	8	ns	—
RIO_TX_CLK_IN duty cycle	$t_{RCLKH}/t_{RCLK}$	48	—	52	%	1

**Notes:**

1. Requires ±100 ppm long term frequency stability. Timing is guaranteed by design and characterization.



## 4.4 Real Time Clock Timing

Table 10 provides the real time clock (RTC) AC timing specifications for the MPC8560.

**Table 10. RTC AC Timing Specifications**

Parameter/Condition	Symbol	Min	Typical	Max	Unit	Notes
RTC clock high time	$t_{RTCH}$	2 x $t_{CCB\_CLK}$	—	—	ns	—
RTC clock low time	$t_{RTCL}$	2 x $t_{CCB\_CLK}$	—	—	ns	—

## 5 RESET Initialization

This section describes the AC electrical specifications for the RESET initialization timing requirements of the MPC8560. Table 7 provides the RESET initialization AC timing specifications for the MPC8560.

**Table 11. RESET Initialization Timing Specifications**

Parameter/Condition	Min	Max	Unit	Notes
Required assertion time of $\overline{HRESET}$	100	—	$\mu\text{s}$	—
Minimum assertion time for $\overline{SRESET}$	512	—	SYSCLKs	1
PLL input setup time with stable SYSCLK before $\overline{HRESET}$ negation	100	—	$\mu\text{s}$	—
Input setup time for POR configs (other than PLL config) with respect to negation of $\overline{HRESET}$	4	—	SYSCLKs	1
Input hold time for POR configs (including PLL config) with respect to negation of $\overline{HRESET}$	2	—	SYSCLKs	1
Maximum valid-to-high impedance time for actively driven POR configs with respect to negation of $\overline{HRESET}$	—	5	SYSCLKs	1

**Notes:**

1. SYSCLK is identical to the PCI\_CLK signal and is the primary clock input for the MPC8560. See the MPC8560 PowerQUICC III™ Integrated Communications Processor Preliminary Reference Manual for more details.

Table 12 provides the PLL and DLL lock times.

**Table 12. PLL and DLL Lock Times**

Parameter/Condition	Min	Max	Unit	Notes
PLL lock times	—	100	$\mu\text{s}$	—
DLL lock times	7680	122,880	CCB Clocks	1, 2

**Notes:**

1. DLL lock times are a function of the ratio between the output clock and the platform (or CCB) clock. A 2:1 ratio results in the minimum and an 8:1 ratio results in the maximum.
2. The CCB clock is determined by the  $\text{SYSCLK} \times \text{platform PLL ratio}$ .

## 6 DDR SDRAM

This section describes the DC and AC electrical specifications for the DDR SDRAM interface of the MPC8560.

### 6.1 DDR SDRAM DC Electrical Characteristics

Table 13 provides the recommended operating conditions for the DDR SDRAM component(s) of the MPC8560.

**Table 13. DDR SDRAM DC Electrical Characteristics**

Parameter/Condition	Symbol	Min	Max	Unit	Notes
I/O supply voltage	$GV_{DD}$	2.375	2.625	V	1
I/O reference voltage	$MV_{REF}$	$0.49 \times GV_{DD}$	$0.51 \times GV_{DD}$	V	2
I/O termination voltage	$V_{TT}$	$MV_{REF} - 0.04$	$MV_{REF} + 0.04$	V	3
Input high voltage	$V_{IH}$	$MV_{REF} + 0.18$	$GV_{DD} + 0.3$	V	4
Input low voltage	$V_{IL}$	-0.3	$MV_{REF} - 0.18$	V	4
Output leakage current	$I_{OZ}$	-10	10	$\mu A$	5
Output high current ( $V_{OUT} = 1.95$ V)	$I_{OH}$	-15.2	—	mA	—
Output low current ( $V_{OUT} = 0.35$ V)	$I_{OL}$	15.2	—	mA	—
$MV_{REF}$ input leakage current	$I_{VREF}$	—	100	$\mu A$	—

**Notes:**

- $GV_{DD}$  is expected to be within 50 mV of the DRAM  $GV_{DD}$  at all times.
- $MV_{REF}$  is expected to be equal to  $0.5 \times GV_{DD}$ , and to track  $GV_{DD}$  DC variations as measured at the receiver. Peak-to-peak noise on  $MV_{REF}$  may not exceed  $\pm 2\%$  of the DC value.
- $V_{TT}$  is not applied directly to the device. It is the supply to which far end signal termination is made and is expected to be equal to  $MV_{REF}$ . This rail should track variations in the DC level of  $MV_{REF}$ .
- $V_{IH}$  can tolerate an overshoot of 1.2V over  $GV_{DD}$  for a pulse width of  $\leq 3$  ns, and the pulse width cannot be greater than  $t_{MCK}$ .  $V_{IL}$  can tolerate an undershoot of 1.2V below GND for a pulse width of  $\leq 3$  ns, and the pulse width cannot be greater than  $t_{MCK}$ .
- Output leakage is measured with all outputs disabled,  $0 V \leq V_{OUT} \leq GV_{DD}$ .

Table 14 provides the DDR capacitance.

**Table 14. DDR SDRAM Capacitance**

Parameter/Condition	Symbol	Min	Max	Unit	Notes
Input/output capacitance: DQ, DQS, MSYNC_IN	$C_{IO}$	6	8	pF	1
Delta input/output capacitance: DQ, DQS	$C_{DIO}$	—	0.5	pF	1

**Note:**

- This parameter is sampled.  $GV_{DD} = 2.5 V \pm 0.125 V$ ,  $f = 1$  MHz,  $T_A = 25^\circ C$ ,  $V_{OUT} = GV_{DD}/2$ ,  $V_{OUT}$  (peak to peak) = 0.2 V.

## 6.2 DDR SDRAM AC Electrical Characteristics

This section provides the AC electrical characteristics for the DDR SDRAM interface.

### 6.2.1 DDR SDRAM Input AC Timing Specifications

Table 15 provides the input AC timing specifications for the DDR SDRAM interface.

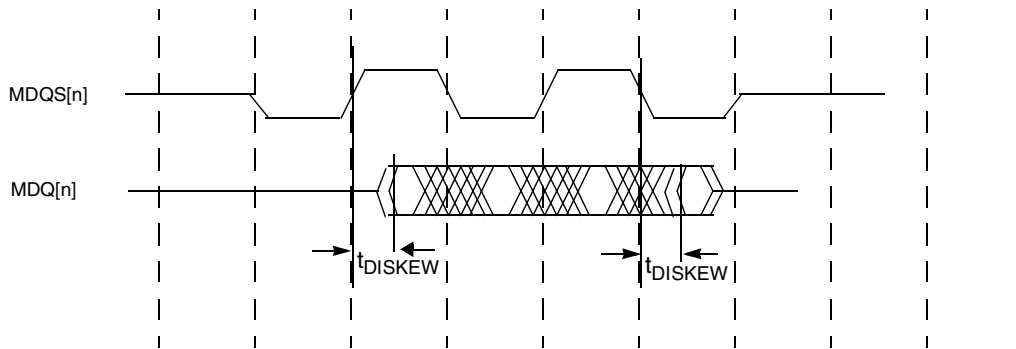
**Table 15. DDR SDRAM Input AC Timing Specifications**

At recommended operating conditions with  $GV_{DD}$  of  $2.5\text{ V} \pm 5\%$ .

Parameter	Symbol	Min	Max	Unit	Notes
AC input low voltage	$V_{IL}$	—	$MV_{REF} - 0.31$	V	—
AC input high voltage	$V_{IH}$	$MV_{REF} + 0.31$	$GV_{DD} + 0.3$	V	—
MDQS—MDQ/MECC input skew per byte For DDR = 333 MHz For DDR ≤ 266 MHz	$t_{DISKEW}$	-750 -1125	750 1125	ps	1, 2

**Note:**

1. Maximum possible skew between a data strobe (MDQS[n]) and any corresponding bit of data (MDQ[8n + {0...7}] if  $0 \leq n \leq 7$ ) or ECC (MECC[{0...7}] if  $n=8$ ).
2. For timing budget analysis, the MPC8560 consumes  $\pm 550$  ps of the total budget.



**Figure 4. DDR SDRAM Interface Input Timing**

## 6.2.2 DDR SDRAM Output AC Timing Specifications

For chip selects  $\overline{MCS1}$  and  $\overline{MCS2}$ , there will always be at least 200 DDR memory clocks coming out of self-refresh after an  $\overline{HRESET}$  before a precharge occurs. This will not necessarily be the case for chip selects  $\overline{MCS0}$  and  $\overline{MCS3}$ .

### 6.2.2.1 DLL Enabled Mode

Table 16 and Table 17 provide the output AC timing specifications and measurement conditions for the DDR SDRAM interface with the DDR DLL enabled.

**Table 16. DDR SDRAM Output AC Timing Specifications–DLL Mode**

At recommended operating conditions with  $GV_{DD}$  of 2.5 V  $\pm$  5%.

Parameter	Symbol <sup>1</sup>	Min	Max	Unit	Notes
MCK[n] cycle time, (MCK[n]/ $\overline{MCK[n]}$ crossing)	$t_{MCK}$	6	10	ns	2
On chip Clock Skew	$t_{MCKSKEW}$	—	150	ps	3, 8
MCK[n] duty cycle	$t_{MCKH}/t_{MCK}$	45	55	%	8
ADDR/CMD output valid	$t_{DDKHOV}$	—	3	ns	4, 9
ADDR/CMD output invalid	$t_{DDKHOX}$	1	—	ns	4, 9
Write CMD to first MDQS capture edge	$t_{DDSHMH}$	$t_{MCK} + 1.5$	$t_{MCK} + 4.0$	ns	5
MDQ/MECC/MDM output setup with respect to MDQS 333 MHz 266 MHz 200 MHz	$t_{DDKHDS}$ , $t_{DDKLDS}$	900 1100 1200	—	ps	6, 9
MDQ/MECC/MDM output hold with respect to MDQS 333 MHz 266 MHz 200 MHz	$t_{DDKHDX}$ , $t_{DDKLDX}$	900 1100 1200	—	ps	6, 9
MDQS preamble start	$t_{DDSHMP}$	$0.75 \times t_{MCK} + 1.5$	$0.75 \times t_{MCK} + 4.0$	ns	7, 8

**Table 16. DDR SDRAM Output AC Timing Specifications–DLL Mode (continued)**

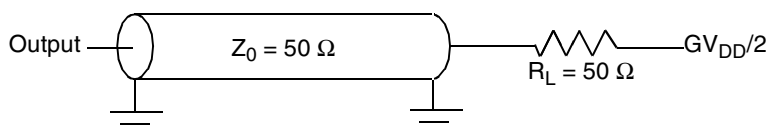
 At recommended operating conditions with  $GV_{DD}$  of  $2.5\text{ V} \pm 5\%$ .

Parameter	Symbol <sup>1</sup>	Min	Max	Unit	Notes
MDQS epilogue end	$t_{DDSHME}$	1.5	4.0	ns	7, 8

**Notes:**

- The symbols used for timing specifications follow the pattern of  $t_{(\text{first two letters of functional block})(\text{signal})(\text{state})(\text{reference})(\text{state})}$  for inputs and  $t_{(\text{first two letters of functional block})(\text{reference})(\text{state})(\text{signal})(\text{state})}$  for outputs. Output hold time can be read as DDR timing (DD) from the rising or falling edge of the reference clock (KH or KL) until the output went invalid (OX or DX). For example,  $t_{DDKH0V}$  symbolizes DDR timing (DD) for the time  $t_{MCK}$  memory clock reference (K) goes from the high (H) state until outputs (O) are valid (V) or output valid time. Also,  $t_{DDKLDX}$  symbolizes DDR timing (DD) for the time  $t_{MCK}$  memory clock reference (K) goes low (L) until data outputs (D) are invalid (X) or data output hold time.
- All MCK/ $\overline{MCK}$  referenced measurements are made from the crossing of the two signals  $\pm 0.1\text{ V}$ .
- Maximum possible clock skew between a clock MCK[n] and its relative inverse clock  $\overline{MCK}[n]$ , or between a clock MCK[n] and a relative clock MCK[m] or MSYNC\_OUT. Skew measured between complementary signals at  $GV_{DD}/2$ .
- ADDR/CMD includes all DDR SDRAM output signals except MCK/ $\overline{MCK}$  and MDQ/MECC/MDM/MDQS.
- Note that  $t_{DDSHMH}$  follows the symbol conventions described in note 1. For example,  $t_{DDSHMH}$  describes the DDR timing (DD) from the rising edge of the MSYNC\_IN clock (SH) until the MDQS signal is valid (MH).  $t_{DDSHMH}$  can be modified through control of the DQSS override bits in the TIMING\_CFG\_2 register. These controls allow the relationship between the synchronous clock control timing and the source-synchronous QDS domain to be modified by the user. For best turnaround times, these may need to be set to delay  $t_{DDSHMH}$  an additional  $0.25t_{MCK}$ . This will also affect  $t_{DDSHMP}$  and  $t_{DDSHME}$  accordingly. See the *MPC8560 PowerQUICC III Integrated Communications Processor Reference Manual* for a description and understanding of the timing modifications enabled by use of these bits.
- Determined by maximum possible skew between a data strobe (MDQS) and any corresponding bit of data (MDQ), ECC (MECC), or data mask (MDM). The data strobe should be centered inside of the data eye at the pins of the MPC8560.
- All outputs are referenced to the rising edge of MSYNC\_IN (S) at the pins of the MPC8560. Note that  $t_{DDSHMP}$  follows the symbol conventions described in note 1. For example,  $t_{DDSHMP}$  describes the DDR timing (DD) from the rising edge of the MSYNC\_IN clock (SH) for the duration of the MDQS signal precharge period (MP).
- Guaranteed by design.
- Guaranteed by characterization.

Figure 5 provides the AC test load for the DDR bus.


**Figure 5. DDR AC Test Load**
**Table 17. DDR SDRAM Measurement Conditions**

Symbol	DDR	Unit	Notes
$V_{TH}$	$MV_{REF} \pm 0.31\text{ V}$	V	1
$V_{OUT}$	$0.5 \times GV_{DD}$	V	2

**Notes:**

- Data input threshold measurement point.
- Data output measurement point.

Figure 6 shows the DDR SDRAM output timing diagram.

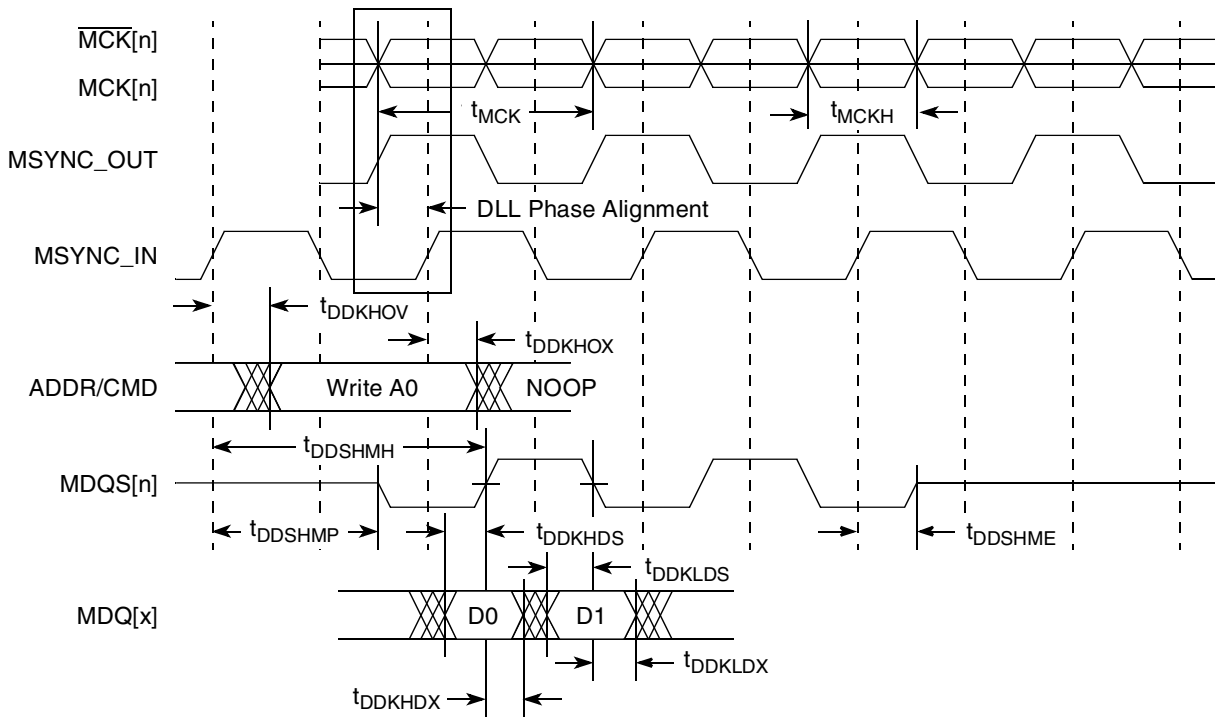


Figure 6. DDR SDRAM Output Timing Diagram

### 6.2.2.2 Load Effects on Address/Command Bus

Table 18 provides approximate delay information that can be expected for the address and command signals of the DDR controller for various loadings. These numbers are the result of simulations for one topology. The delay numbers will strongly depend on the topology used. These delay numbers show the total delay for the address and command to arrive at the DRAM devices. The actual delay could be different than the delays seen in simulation, depending on the system topology. If a heavily loaded system is used, the DLL loop may need to be adjusted to meet setup requirements at the DRAM.

Table 18. Expected Delays for Address/Command

Load	Delay	Unit
4 devices (12 pF)	3.0	ns
9 devices (27 pF)	3.6	ns
36 devices (108 pF) + 40 pF compensation capacitor	5.0	ns
36 devices (108 pF) + 80 pF compensation capacitor	5.2	ns

## 7 Ethernet: Three-Speed, MII Management

This section provides the AC and DC electrical characteristics for three-speed and MII management.

### 7.1 Three-Speed Ethernet Controller (TSEC) (10/100/1Gb Mbps)—GMII/MII/TBI/RGMII/RTBI Electrical Characteristics

The electrical characteristics specified here apply to all GMII (gigabit media independent interface), MII (media independent interface), TBI (ten-bit interface), RGMII (reduced gigabit media independent interface), and RTBI (reduced ten-bit interface) signals except MDIO (management data input/output) and MDC (management data clock). The RGMII and RTBI interfaces are defined for 2.5 V, while the GMII, MII, and TBI interfaces can be operated at 3.3 or 2.5 V. Whether the GMII, MII, or TBI interface is operated at 3.3 or 2.5 V, the timing is compliant with the IEEE 802.3 standard. The RGMII and RTBI interfaces follow the Hewlett-Packard reduced pin-count interface for Gigabit Ethernet Physical Layer Device Specification Version 1.2a (9/22/2000). The electrical characteristics for MDIO and MDC are specified in [Section 7.3, “Ethernet Management Interface Electrical Characteristics.”](#)

#### 7.1.1 TSEC DC Electrical Characteristics

All GMII, MII, TBI, RGMII, and RTBI drivers and receivers comply with the DC parametric attributes specified in [Table 19](#) and [Table 20](#). The potential applied to the input of a GMII, MII, TBI, RGMII, or RTBI receiver may exceed the potential of the receiver’s power supply (i.e., a GMII driver powered from a 3.6 V supply driving  $V_{OH}$  into a GMII receiver powered from a 2.5 V supply). Tolerance for dissimilar GMII driver and receiver supply potentials is implicit in these specifications. The RGMII and RTBI signals are based on a 2.5 V CMOS interface voltage as defined by JEDEC EIA/JESD8-5.

**Table 19. GMII, MII, and TBI DC Electrical Characteristics**

Parameter	Symbol	Min	Max	Unit
Supply voltage 3.3 V	$V_{DD}$	3.13	3.47	V
Output high voltage ( $V_{DD} = \text{Min}$ , $I_{OH} = -4.0 \text{ mA}$ )	$V_{OH}$	2.40	$V_{DD} + 0.3$	V
Output low voltage ( $V_{DD} = \text{Min}$ , $I_{OL} = 4.0 \text{ mA}$ )	$V_{OL}$	GND	0.50	V
Input high voltage	$V_{IH}$	1.70	$V_{DD} + 0.3$	V
Input low voltage	$V_{IL}$	-0.3	0.90	V
Input high current ( $V_{IN}^1 = V_{DD}$ )	$I_{IH}$	—	40	$\mu\text{A}$
Input low current ( $V_{IN}^1 = \text{GND}$ )	$I_{IL}$	-600	—	$\mu\text{A}$

**Note:**

1. The symbol  $V_{IN}$ , in this case, represents the  $V_{IN}$  symbol referenced in [Table 1](#) and [Table 2](#).

**Table 20. GMII, MII, RGMII, RTBI, and TBI DC Electrical Characteristics**

Parameters	Symbol	Min	Max	Unit
Supply voltage 2.5 V	$V_{DD}$	2.37	2.63	V
Output high voltage ( $V_{DD} = \text{Min}$ , $I_{OH} = -1.0 \text{ mA}$ )	$V_{OH}$	2.00	$V_{DD} + 0.3$	V
Output low voltage ( $V_{DD} = \text{Min}$ , $I_{OL} = 1.0 \text{ mA}$ )	$V_{OL}$	$\text{GND} - 0.3$	0.40	V
Input high voltage	$V_{IH}$	1.70	$V_{DD} + 0.3$	V
Input low voltage	$V_{IL}$	-0.3	0.70	V
Input high current ( $V_{IN}^1 = V_{DD}$ )	$I_{IH}$	—	10	$\mu\text{A}$
Input low current ( $V_{IN}^1 = \text{GND}$ )	$I_{IL}$	-15	—	$\mu\text{A}$

**Note:**

1. Note that the symbol  $V_{IN}$ , in this case, represents the  $V_{IN}$  symbol referenced in [Table 1](#) and [Table 2](#).

## 7.2 GMII, MII, TBI, RGMII, and RTBI AC Timing Specifications

The AC timing specifications for GMII, MII, TBI, RGMII, and RTBI are presented in this section.

### 7.2.1 GMII AC Timing Specifications

This section describes the GMII transmit and receive AC timing specifications.

#### 7.2.1.1 GMII Transmit AC Timing Specifications

[Table 21](#) provides the GMII transmit AC timing specifications.

**Table 21. GMII Transmit AC Timing Specifications**

At recommended operating conditions with  $V_{DD}$  of  $3.3 \text{ V} \pm 5\%$ , or  $V_{DD} = 2.5 \text{ V} \pm 5\%$ .

Parameter/Condition	Symbol <sup>1</sup>	Min	Typ	Max	Unit
GTX_CLK clock period	$t_{GTX}$	—	8.0	—	ns
GTX_CLK duty cycle	$t_{GTXH}/t_{GTX}$	40	—	60	%
GMII data TXD[7:0], TX_ER, TX_EN setup time	$t_{GTXHDV}$	2.5	—	—	ns
GTX_CLK to GMII data TXD[7:0], TX_ER, TX_EN delay	$t_{GTXHDX}$ <sup>3</sup>	0.5	—	5.0	ns



**Table 21. GMII Transmit AC Timing Specifications (continued)**

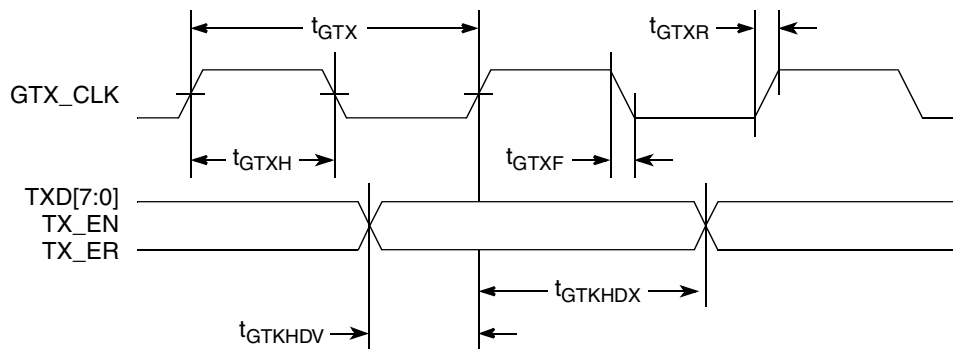
 At recommended operating conditions with  $LV_{DD}$  of  $3.3\text{ V} \pm 5\%$ , or  $LV_{DD}=2.5\text{ V} \pm 5\%$ .

Parameter/Condition	Symbol <sup>1</sup>	Min	Typ	Max	Unit
GTX_CLK data clock rise and fall time	$t_{GTXR}$ , $t_{GTXF}$ <sup>2,4</sup>	—	—	1.0	ns

**Notes:**

- The symbols used for timing specifications herein follow the pattern  $t_{(\text{first two letters of functional block})(\text{signal})(\text{state})}$  (reference)(state) for inputs and  $t_{(\text{first two letters of functional block})(\text{reference})(\text{state})(\text{signal})(\text{state})}$  for outputs. For example,  $t_{GTXKHDV}$  symbolizes GMII transmit timing (GT) with respect to the  $t_{GTX}$  clock reference (K) going to the high state (H) relative to the time date input signals (D) reaching the valid state (V) to state or setup time. Also,  $t_{GTXKHDV}$  symbolizes GMII transmit timing (GT) with respect to the  $t_{GTX}$  clock reference (K) going to the high state (H) relative to the time date input signals (D) going invalid (X) or hold time. Note that, in general, the clock reference symbol representation is based on three letters representing the clock of a particular functional. For example, the subscript of  $t_{GTX}$  represents the GMII(G) transmit (TX) clock. For rise and fall times, the latter convention is used with the appropriate letter: R (rise) or F (fall).
- Signal timings are measured at 0.7 V and 1.9 V voltage levels.
- Guaranteed by characterization.
- Guaranteed by design.

Figure 7 shows the GMII transmit AC timing diagram.


**Figure 7. GMII Transmit AC Timing Diagram**

### 7.2.1.2 GMII Receive AC Timing Specifications

Table 22 provides the GMII receive AC timing specifications.

**Table 22. GMII Receive AC Timing Specifications**

 At recommended operating conditions with  $LV_{DD}$  of  $3.3\text{ V} \pm 5\%$ , or  $LV_{DD}=2.5\text{ V} \pm 5\%$ .

Parameter/Condition	Symbol <sup>1</sup>	Min	Typ	Max	Unit
RX_CLK clock period	$t_{GRX}$	—	8.0	—	ns
RX_CLK duty cycle	$t_{GRXH}/t_{GRX}$	40	—	60	ns
RXD[7:0], RX_DV, RX_ER setup time to RX_CLK	$t_{GRDVKH}$	2.0	—	—	ns
RXD[7:0], RX_DV, RX_ER hold time to RX_CLK	$t_{GRDXKH}$	0.5	—	—	ns

**Table 22. GMII Receive AC Timing Specifications (continued)**

At recommended operating conditions with  $LV_{DD}$  of  $3.3\text{ V} \pm 5\%$ , or  $LV_{DD}=2.5\text{ V} \pm 5\%$ .

Parameter/Condition	Symbol <sup>1</sup>	Min	Typ	Max	Unit
RX_CLK clock rise and fall time	$t_{GRXR}$ , $t_{GRXF}$ <sup>2,3</sup>	—	—	1.0	ns

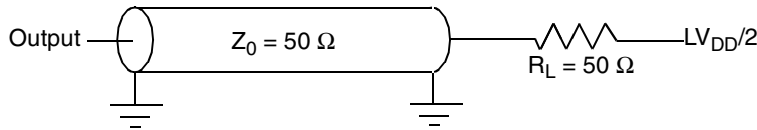
**Note:**

1. The symbols used for timing specifications herein follow the pattern of  $t_{(\text{first two letters of functional block})(\text{signal})(\text{state})}$  (reference)(state) for inputs and  $t_{(\text{first two letters of functional block})(\text{reference})(\text{state})(\text{signal})(\text{state})}$  for outputs. For example,  $t_{GRDVKH}$  symbolizes GMII receive timing (GR) with respect to the time data input signals (D) reaching the valid state (V) relative to the  $t_{RX}$  clock reference (K) going to the high state (H) or setup time. Also,  $t_{GRDXKL}$  symbolizes GMII receive timing (GR) with respect to the time data input signals (D) went invalid (X) relative to the  $t_{GRX}$  clock reference (K) going to the low (L) state or hold time. Note that, in general, the clock reference symbol representation is based on three letters representing the clock of a particular functional. For example, the subscript of  $t_{GRX}$  represents the GMII (G) receive (RX) clock. For rise and fall times, the latter convention is used with the appropriate letter: R (rise) or F (fall).

2. Signal timings are measured at 0.7 V and 1.9 V voltage levels.

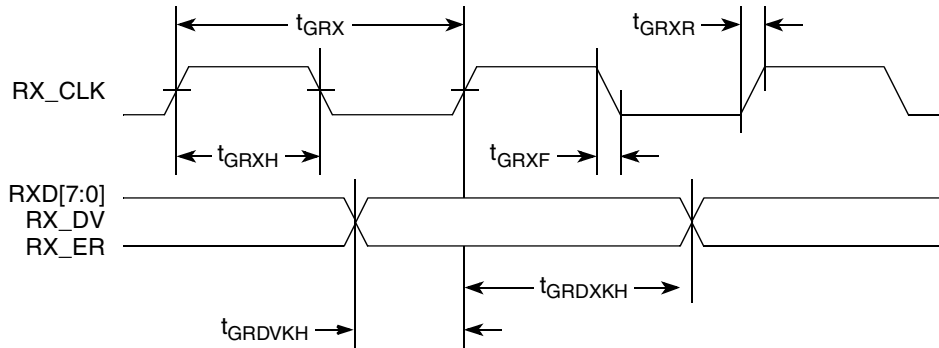
3. Guaranteed by design.

Figure 8 provides the AC test load for TSEC.



**Figure 8. TSEC AC Test Load**

Figure 9 shows the GMII receive AC timing diagram.



**Figure 9. GMII Receive AC Timing Diagram**

## 7.2.2 MII AC Timing Specifications

This section describes the MII transmit and receive AC timing specifications.

### 7.2.2.1 MII Transmit AC Timing Specifications

Table 23 provides the MII transmit AC timing specifications.

**Table 23. MII Transmit AC Timing Specifications**

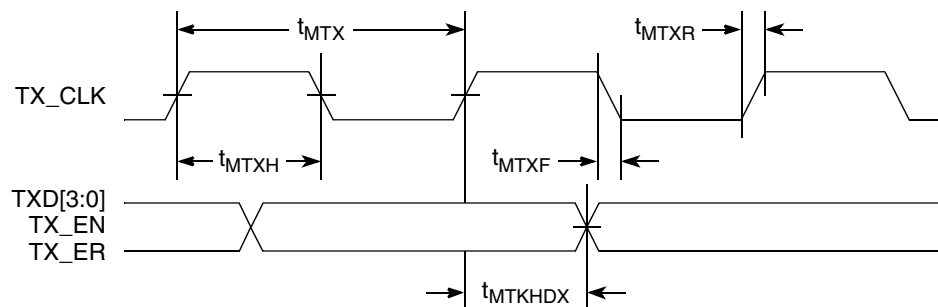
At recommended operating conditions with  $V_{DD}$  of  $3.3\text{ V} \pm 5\%$ , or  $V_{DD}=2.5\text{ V} \pm 5\%$ .

Parameter/Condition	Symbol <sup>1</sup>	Min	Typ	Max	Unit
TX_CLK clock period 10 Mbps	$t_{MTX}^2$	—	400	—	ns
TX_CLK clock period 100 Mbps	$t_{MTX}$	—	40	—	ns
TX_CLK duty cycle	$t_{MTXH}/t_{MTX}$	35	—	65	%
TX_CLK to MII data TXD[3:0], TX_ER, TX_EN delay	$t_{MTKHDX}$	1	5	15	ns
TX_CLK data clock rise and fall time	$t_{MTXR}$ , $t_{MTXF}^{2,3}$	1.0	—	4.0	ns

**Note:**

- The symbols used for timing specifications herein follow the pattern of  $t_{(\text{first two letters of functional block})(\text{signal})(\text{state})}$  (reference)(state) for inputs and  $t_{(\text{first two letters of functional block})(\text{reference})(\text{state})(\text{signal})(\text{state})}$  for outputs. For example,  $t_{MTKHDX}$  symbolizes MII transmit timing (MT) for the time  $t_{MTX}$  clock reference (K) going high (H) until data outputs (D) are invalid (X). Note that, in general, the clock reference symbol representation is based on two to three letters representing the clock of a particular functional. For example, the subscript of  $t_{MTX}$  represents the MII(M) transmit (TX) clock. For rise and fall times, the latter convention is used with the appropriate letter: R (rise) or F (fall).
- Signal timings are measured at 0.7 V and 1.9 V voltage levels.
- Guaranteed by design.

Figure 10 shows the MII transmit AC timing diagram.



**Figure 10. MII Transmit AC Timing Diagram**

### 7.2.2.2 MII Receive AC Timing Specifications

Table 24 provides the MII receive AC timing specifications.

**Table 24. MII Receive AC Timing Specifications**

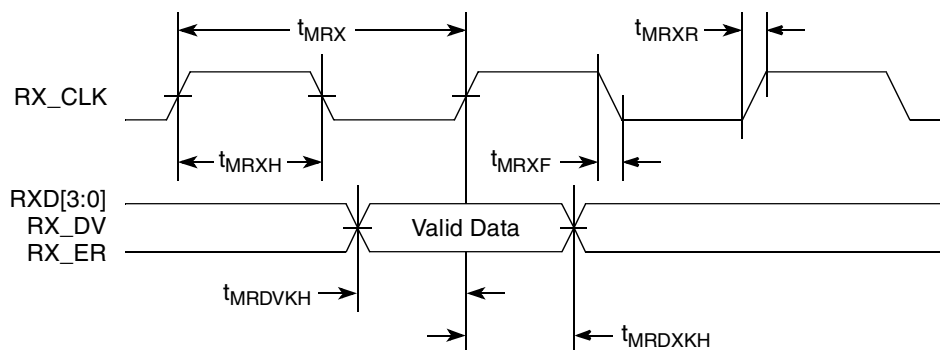
At recommended operating conditions with  $LV_{DD}$  of  $3.3\text{ V} \pm 5\%$ , or  $LV_{DD}=2.5\text{ V} \pm 5\%$ .

Parameter/Condition	Symbol <sup>1</sup>	Min	Typ	Max	Unit
RX_CLK clock period 10 Mbps	$t_{MRX}^3$	—	400	—	ns
RX_CLK clock period 100 Mbps	$t_{MRX}$	—	40	—	ns
RX_CLK duty cycle	$t_{MRXH}/t_{MRX}$	35	—	65	%
RXD[3:0], RX_DV, RX_ER setup time to RX_CLK	$t_{MRDVKH}$	10.0	—	—	ns
RXD[3:0], RX_DV, RX_ER hold time to RX_CLK	$t_{MRDXKH}$	10.0	—	—	ns
RX_CLK clock rise and fall time	$t_{MRXR}, t_{MRXF}^{2,3}$	1.0	—	4.0	ns

**Note:**

- The symbols used for timing specifications herein follow the pattern of  $t_{(first\ two\ letters\ of\ functional\ block)(signal)(state)\ (reference)(state)}$  for inputs and  $t_{(first\ two\ letters\ of\ functional\ block)(reference)(state)(signal)(state)}$  for outputs. For example,  $t_{MRDVKH}$  symbolizes MII receive timing (MR) with respect to the time data input signals (D) reach the valid state (V) relative to the  $t_{MRX}$  clock reference (K) going to the high (H) state or setup time. Also,  $t_{MRDXKL}$  symbolizes MII receive timing (GR) with respect to the time data input signals (D) went invalid (X) relative to the  $t_{MRX}$  clock reference (K) going to the low (L) state or hold time. Note that, in general, the clock reference symbol representation is based on three letters representing the clock of a particular functional. For example, the subscript of  $t_{MRX}$  represents the MII (M) receive (RX) clock. For rise and fall times, the latter convention is used with the appropriate letter: R (rise) or F (fall).
- Signal timings are measured at 0.7 V and 1.9 V voltage levels.
- Guaranteed by design.

Figure 11 shows the MII receive AC timing diagram.



**Figure 11. MII Receive AC Timing Diagram**

## 7.2.3 TBI AC Timing Specifications

This section describes the TBI transmit and receive AC timing specifications.

### 7.2.3.1 TBI Transmit AC Timing Specifications

Table 25 provides the TBI transmit AC timing specifications.

**Table 25. TBI Transmit AC Timing Specifications**

At recommended operating conditions with  $LV_{DD}$  of  $3.3\text{ V} \pm 5\%$ , or  $LV_{DD}=2.5\text{V} \pm 5\%$ .

Parameter/Condition	Symbol <sup>1</sup>	Min	Typ	Max	Unit
GTX_CLK clock period	$t_{TTX}$	—	8.0	—	ns
GTX_CLK duty cycle	$t_{TTXH}/t_{TTX}$	40	—	60	%
TCG[9:0] setup time GTX_CLK going high	$t_{TTKHdV}$	2.0	—	—	ns
TCG[9:0] hold time from GTX_CLK going high	$t_{TTKHdX}$	1.0	—	—	ns
GTX_CLK clock rise and fall time	$t_{TTXR}$ , $t_{TTXF}$ <sup>2,3</sup>	—	—	1.0	ns

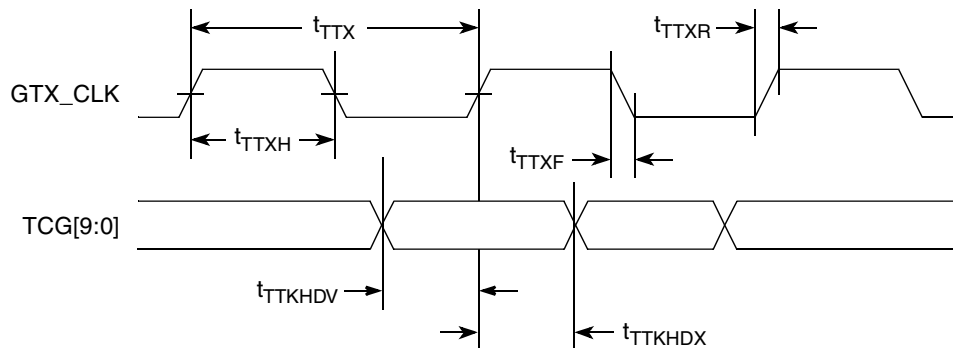
**Notes:**

1. The symbols used for timing specifications herein follow the pattern of  $t_{(\text{first two letters of functional block})(\text{signal})(\text{state})}$  (reference)(state) for inputs and  $t_{(\text{first two letters of functional block})(\text{reference})(\text{state})}$  (signal)(state) for outputs. For example,  $t_{TTKHdV}$  symbolizes the TBI transmit timing (TT) with respect to the time from  $t_{TTX}$  (K) going high (H) until the referenced data signals (D) reach the valid state (V) or setup time. Also,  $t_{TTKHdX}$  symbolizes the TBI transmit timing (TT) with respect to the time from  $t_{TTX}$  (K) going high (H) until the referenced data signals (D) reach the invalid state (X) or hold time. Note that, in general, the clock reference symbol representation is based on three letters representing the clock of a particular functional. For example, the subscript of  $t_{TTX}$  represents the TBI (T) transmit (TX) clock. For rise and fall times, the latter convention is used with the appropriate letter: R (rise) or F (fall).

2. Signal timings are measured at 0.7 V and 1.9 V voltage levels.

3. Guaranteed by design.

Figure 12 shows the TBI transmit AC timing diagram.



**Figure 12. TBI Transmit AC Timing Diagram**

### 7.2.3.2 TBI Receive AC Timing Specifications

Table 26 provides the TBI receive AC timing specifications.

**Table 26. TBI Receive AC Timing Specifications**

At recommended operating conditions with  $V_{DD}$  of  $3.3V \pm 5\%$ , or  $V_{DD}=2.5V \pm 5\%$ .

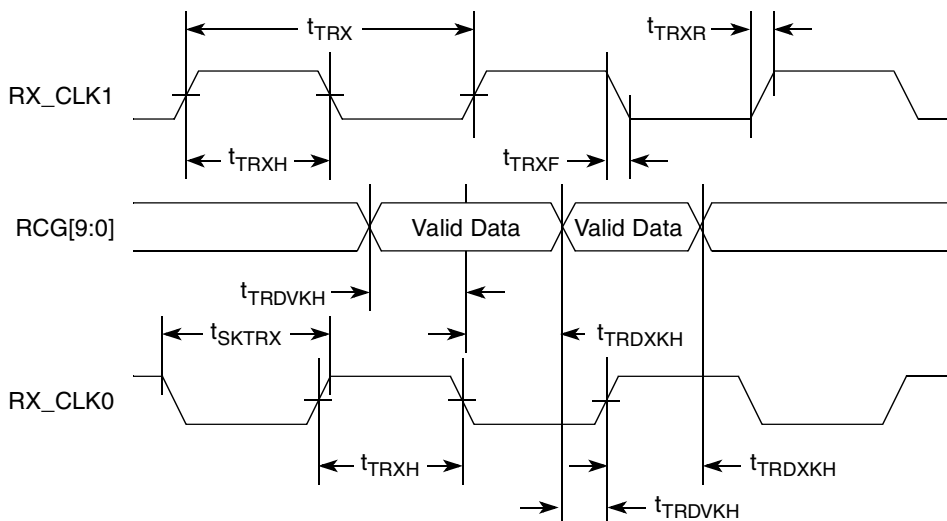
Parameter/Condition	Symbol <sup>1</sup>	Min	Typ	Max	Unit
RX_CLK clock period	$t_{TRX}$		16.0		ns
RX_CLK skew	$t_{SKTRX}$	7.5	—	8.5	ns
RX_CLK duty cycle	$t_{TRXH}/t_{TRX}$	40	—	60	%
RCG[9:0] setup time to rising RX_CLK	$t_{TRDVKH}$	2.5	—	—	ns
RCG[9:0] hold time to rising RX_CLK	$t_{TRDXKH}$	1.5	—	—	ns
RX_CLK clock rise time and fall time	$t_{TRXR}, t_{TRXF}$ <sup>2,3</sup>	0.7	—	2.4	ns

**Note:**

1. The symbols used for timing specifications herein follow the pattern of  $t_{(first\ two\ letters\ of\ functional\ block)(signal)(state)}$  (reference)(state) for inputs and  $t_{(first\ two\ letters\ of\ functional\ block)(reference)(state)(signal)(state)}$  for outputs. For example,  $t_{TRDVKH}$  symbolizes TBI receive timing (TR) with respect to the time data input signals (D) reach the valid state (V) relative to the  $t_{TRX}$  clock reference (K) going to the high (H) state or setup time. Also,  $t_{TRDXKH}$  symbolizes TBI receive timing (TR) with respect to the time data input signals (D) went invalid (X) relative to the  $t_{TRX}$  clock reference (K) going to the high (H) state. Note that, in general, the clock reference symbol representation is based on three letters representing the clock of a particular functional. For example, the subscript of  $t_{TRX}$  represents the TBI (T) receive (RX) clock. For rise and fall times, the latter convention is used with the appropriate letter: R (rise) or F (fall). For symbols representing skews, the subscript is skew (SK) followed by the clock that is being skewed (TRX).

- 2. Signal timings are measured at 0.7 V and 1.9 V voltage levels.
- 3. Guaranteed by design.

Figure 13 shows the TBI receive AC timing diagram.



**Figure 13. TBI Receive AC Timing Diagram**

## 7.2.4 RGMII and RTBI AC Timing Specifications

Table 27 presents the RGMII and RTBI AC timing specifications.

**Table 27. RGMII and RTBI AC Timing Specifications**

At recommended operating conditions with  $V_{DD}$  of 2.5 V  $\pm$  5%.

Parameter/Condition	Symbol <sup>1</sup>	Min	Typ	Max	Unit
Data to clock output skew (at transmitter)	$t_{SKRGT}^5$	-500	0	500	ps
Data to clock input skew (at receiver) <sup>2</sup>	$t_{SKRGT}$	1.0	—	2.8	ns
Clock period <sup>3</sup>	$t_{RGT}^6$	7.2	8.0	8.8	ns
Duty cycle for 1000Base-T <sup>4</sup>	$t_{RGTH}/t_{RGT}^6$	45	50	55	%
Duty cycle for 10BASE-T and 100BASE-TX <sup>3</sup>	$t_{RGTH}/t_{RGT}^6$	40	50	60	%
Rise and fall time	$t_{RGTR}, t_{RGTF}^{6,7}$	—	—	0.75	ns

**Notes:**

- Note that, in general, the clock reference symbol representation for this section is based on the symbols RGT to represent RGMII and RTBI timing. For example, the subscript of  $t_{RGT}$  represents the TBI (T) receive (RX) clock. Note also that the notation for rise (R) and fall (F) times follows the clock symbol that is being represented. For symbols representing skews, the subscript is skew (SK) followed by the clock that is being skewed (RGT).
- The RGMII specification requires that PC board designer add 1.5 ns or greater in trace delay to the RX\_CLK in order to meet this specification. However, as stated above, this device will function with only 1.0 ns of delay.
- For 10 and 100 Mbps,  $t_{RGT}$  scales to 400 ns  $\pm$  40 ns and 40 ns  $\pm$  4 ns, respectively.
- Duty cycle may be stretched/shrunk during speed changes or while transitioning to a received packet's clock domains as long as the minimum duty cycle is not violated and stretching occurs for no more than three  $t_{RGT}$  of the lowest speed transitioned between.
- Guaranteed by characterization.
- Guaranteed by design.
- Signal timings are measured at 0.5 V and 2.0 V voltage levels.

Figure 14 shows the RGMII and RTBI AC timing and multiplexing diagrams.

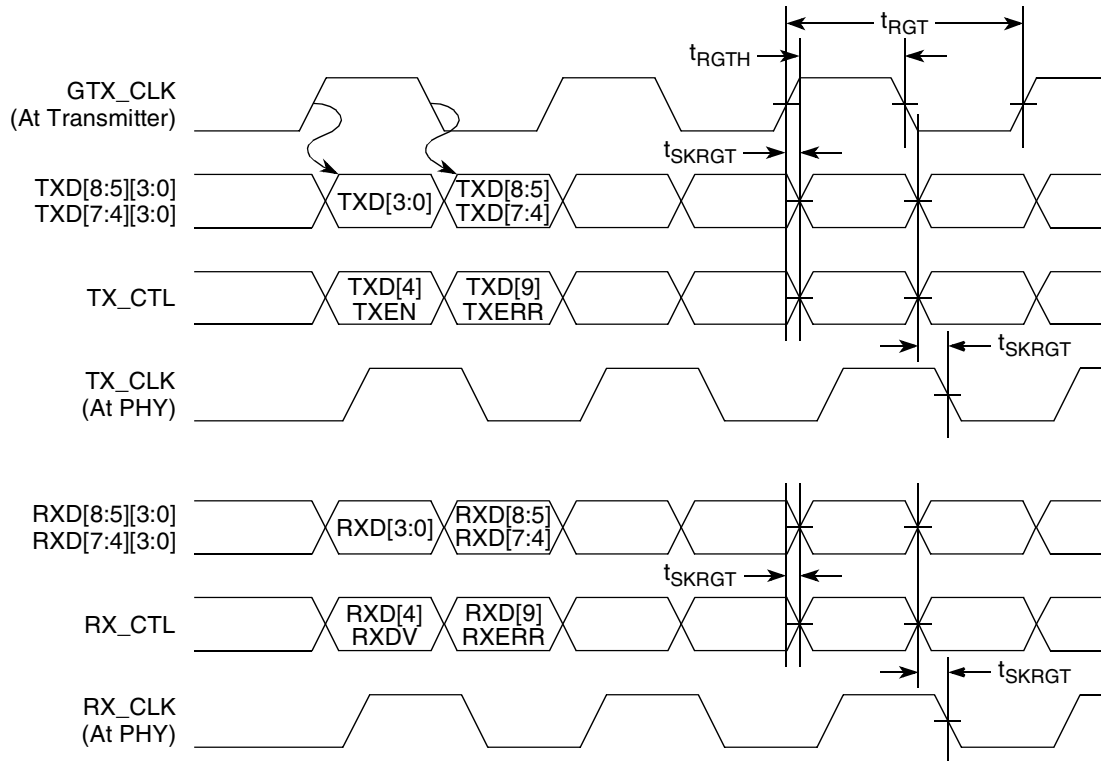


Figure 14. RGMII and RTBI AC Timing and Multiplexing Diagrams

## 7.3 Ethernet Management Interface Electrical Characteristics

The electrical characteristics specified here apply to MII management interface signals MDIO (management data input/output) and MDC (management data clock). The electrical characteristics for GMII, RGMII, TBI and RTBI are specified in Section 7.1, “Three-Speed Ethernet Controller (TSEC) (10/100/1Gb Mbps)—GMII/MII/TBI/RGMII/RTBI Electrical Characteristics.”

### 7.3.1 MII Management DC Electrical Characteristics

The MDC and MDIO are defined to operate at a supply voltage of 3.3 V. The DC electrical characteristics for MDIO and MDC are provided in Table 28.

Table 28. MII Management DC Electrical Characteristics

Parameter	Symbol	Min	Max	Unit
Supply voltage (3.3 V)	$OV_{DD}$	3.13	3.47	V
Output high voltage ( $OV_{DD} = \text{Min}$ , $I_{OH} = -1.0 \text{ mA}$ )	$V_{OH}$	2.10	$OV_{DD} + 0.3$	V
Output low voltage ( $OV_{DD} = \text{Min}$ , $I_{OL} = 1.0 \text{ mA}$ )	$V_{OL}$	GND	0.50	V
Input high voltage	$V_{IH}$	1.70	—	V
Input low voltage	$V_{IL}$	—	0.90	V



**Table 28. MII Management DC Electrical Characteristics (continued)**

Parameter	Symbol	Min	Max	Unit
Input high current ( $OV_{DD} = \text{Max}$ , $V_{IN}^1 = 2.1 \text{ V}$ )	$I_{IH}$	—	40	$\mu\text{A}$
Input low current ( $OV_{DD} = \text{Max}$ , $V_{IN} = 0.5 \text{ V}$ )	$I_{IL}$	-600	—	$\mu\text{A}$

**Note:**

1. Note that the symbol  $V_{IN}$ , in this case, represents the  $OV_{IN}$  symbol referenced in [Table 1](#) and [Table 2](#).

## 7.3.2 MII Management AC Electrical Specifications

[Table 29](#) provides the MII management AC timing specifications.

**Table 29. MII Management AC Timing Specifications**

At recommended operating conditions with  $OV_{DD}$  is  $3.3 \text{ V} \pm 5\%$ .

Parameter/Condition	Symbol <sup>1</sup>	Min	Typ	Max	Unit	Notes
MDC frequency	$f_{MDC}$	0.893	—	10.4	MHz	2, 4
MDC period	$t_{MDC}$	96	—	1120	ns	
MDC clock pulse width high	$t_{MDCH}$	32	—	—	ns	
MDC to MDIO valid	$t_{MDKHDV}$			$2 \cdot [1/(f_{ccb\_clk}/8)]$	ns	3
MDC to MDIO delay	$t_{MDKHDX}$	10	—	$2 \cdot [1/(f_{ccb\_clk}/8)]$	ns	3
MDIO to MDC setup time	$t_{MDDVKH}$	5	—	—	ns	
MDIO to MDC hold time	$t_{MDDXKH}$	0	—	—	ns	
MDC rise time	$t_{MDCR}$	—	—	10	ns	4
MDC fall time	$t_{MDHF}$	—	—	10	ns	4

**Notes:**

- The symbols used for timing specifications herein follow the pattern of  $t_{(\text{first two letters of functional block})(\text{signal})(\text{state})}$  (reference)(state) for inputs and  $t_{(\text{first two letters of functional block})(\text{reference})(\text{state})(\text{signal})(\text{state})}$  for outputs. For example,  $t_{MDKHDX}$  symbolizes management data timing (MD) for the time  $t_{MDC}$  from clock reference (K) high (H) until data outputs (D) are invalid (X) or data hold time. Also,  $t_{MDDVKH}$  symbolizes management data timing (MD) with respect to the time data input signals (D) reach the valid state (V) relative to the  $t_{MDC}$  clock reference (K) going to the high (H) state or setup time. For rise and fall times, the latter convention is used with the appropriate letter: R (rise) or F (fall).
- This parameter is dependent on the CCB clock speed (that is, for a CCB clock of 267 MHz, the maximum frequency is 8.3 MHz and the minimum frequency is 1.2 MHz; for a CCB clock of 333 MHz, the maximum frequency is 10.4 MHz and the minimum frequency is 1.5 MHz).
- This parameter is dependent on the CCB clock speed (that is, for a CCB clock of 267 MHz, the delay is 60 ns and for a CCB clock of 333 MHz, the delay is 48 ns).
- Guaranteed by design.

Figure 15 shows the MII management AC timing diagram.

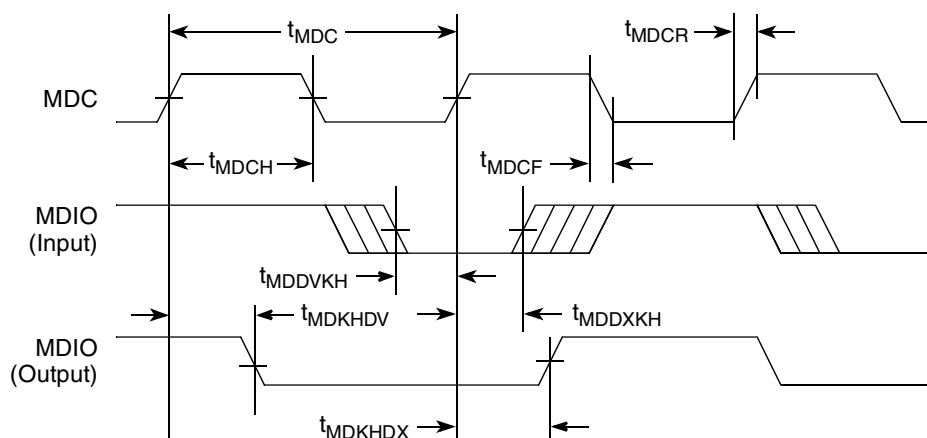


Figure 15. MII Management Interface Timing Diagram

## 8 Local Bus

This section describes the DC and AC electrical specifications for the local bus interface of the MPC8560.

### 8.1 Local Bus DC Electrical Characteristics

Table 30 provides the DC electrical characteristics for the local bus interface.

Table 30. Local Bus DC Electrical Characteristics

Parameter	Symbol	Min	Max	Unit
High-level input voltage	$V_{IH}$	2	$OV_{DD} + 0.3$	V
Low-level input voltage	$V_{IL}$	-0.3	0.8	V
Input current ( $V_{IN}^1 = 0\text{ V}$ or $V_{IN} = V_{DD}$ )	$I_{IN}$	—	$\pm 5$	$\mu\text{A}$
High-level output voltage ( $OV_{DD} = \text{min}$ , $I_{OH} = -2\text{ mA}$ )	$V_{OH}$	$OV_{DD} - 0.2$	—	V
Low-level output voltage ( $OV_{DD} = \text{min}$ , $I_{OL} = 2\text{ mA}$ )	$V_{OL}$	—	0.2	V

**Note:**

1. Note that the symbol  $V_{IN}$ , in this case, represents the  $OV_{IN}$  symbol referenced in Table 1 and Table 2.

### 8.2 Local Bus AC Electrical Specifications

Table 31 describes the general timing parameters of the local bus interface of the MPC8560 with the DLL enabled.

Table 31. Local Bus General Timing Parameters—DLL Enabled

Parameter	POR Configuration	Symbol <sup>1</sup>	Min	Max	Unit	Notes
Local bus cycle time	—	$t_{LBK}$	6.0	—	ns	2
LCLK[n] skew to LCLK[m] or LSYNC_OUT	—	$t_{LBKSKEW}$	—	150	ps	3, 9

**Table 31. Local Bus General Timing Parameters—DLL Enabled (continued)**

Parameter	POR Configuration	Symbol <sup>1</sup>	Min	Max	Unit	Notes
Input setup to local bus clock (except LUPWAIT)	—	t <sub>LBIVKH1</sub>	1.8	—	ns	4, 5, 8
LUPWAIT input setup to local bus clock	—	t <sub>LBIVKH2</sub>	1.7	—	ns	4, 5
Input hold from local bus clock (except LUPWAIT)	—	t <sub>LBIXKH1</sub>	0.5	—	ns	4, 5, 8
LUPWAIT input hold from local bus clock	—	t <sub>LBIXKH2</sub>	1.0	—	ns	4, 5
LALE output transition to LAD/LDP output transition (LATCH hold time)	—	t <sub>LBOTOT</sub>	1.5	—	ns	6
Local bus clock to output valid (except LAD/LDP and LALE)	TSEC2_TXD[6:5] = 00	t <sub>LBKHOV1</sub>	—	2.0	ns	4, 8
	TSEC2_TXD[6:5] = 11 (default)			3.5		
Local bus clock to data valid for LAD/LDP	TSEC2_TXD[6:5] = 00	t <sub>LBKHOV2</sub>	—	2.2	ns	4, 8
	TSEC2_TXD[6:5] = 11 (default)			3.7		
Local bus clock to address valid for LAD	TSEC2_TXD[6:5] = 00	t <sub>LBKHOV3</sub>	—	2.3	ns	4, 8
	TSEC2_TXD[6:5] = 11 (default)			3.8		
Local bus clock to LALE assertion		t <sub>LBKHOV4</sub>	—	2.3	ns	4, 8
Output hold from local bus clock (except LAD/LDP and LALE)	TSEC2_TXD[6:5] = 00	t <sub>LBKHOX1</sub>	0.7	—	ns	4, 8
	TSEC2_TXD[6:5] = 11 (default)					
Output hold from local bus clock for LAD/LDP	TSEC2_TXD[6:5] = 00	t <sub>LBKHOX2</sub>	0.7	—	ns	4, 8
	TSEC2_TXD[6:5] = 11 (default)					
Local bus clock to output high Impedance (except LAD/LDP and LALE)	TSEC2_TXD[6:5] = 00	t <sub>LBKHOZ1</sub>	—	2.5	ns	7, 9
	TSEC2_TXD[6:5] = 11 (default)			3.8		

**Table 31. Local Bus General Timing Parameters—DLL Enabled (continued)**

Parameter	POR Configuration	Symbol <sup>1</sup>	Min	Max	Unit	Notes
Local bus clock to output high impedance for LAD/LDP	TSEC2_TXD[6:5] = 00	t <sub>LBKHOZ2</sub>	—	2.5	ns	7, 9
	TSEC2_TXD[6:5] = 11 (default)			3.8		

Notes:

- The symbols used for timing specifications herein follow the pattern of t<sub>(First two letters of functional block)(signal)(state) (reference)(state)</sub> for inputs and t<sub>(First two letters of functional block)(reference)(state)(signal)(state)</sub> for outputs. For example, t<sub>LBIXKH1</sub> symbolizes local bus timing (LB) for the input (I) to go invalid (X) with respect to the time the t<sub>LBK</sub> clock reference (K) goes high (H), in this case for clock one(1). Also, t<sub>LBKH0X</sub> symbolizes local bus timing (LB) for the t<sub>LBK</sub> clock reference (K) to go high (H), with respect to the output (O) going invalid (X) or output hold time.
- All timings are in reference to LSYNC\_IN for DLL enabled mode.
- Maximum possible clock skew between a clock LCLK[m] and a relative clock LCLK[n]. Skew measured between complementary signals at OV<sub>DD</sub>/2.
- All signals are measured from OV<sub>DD</sub>/2 of the rising edge of LSYNC\_IN for DLL enabled to 0.4 × OV<sub>DD</sub> of the signal in question for 3.3-V signaling levels.
- Input timings are measured at the pin.
- The value of t<sub>LBOTOT</sub> is defined as the sum of 1/2 or 1 ccb\_clk cycle as programmed by LBCR[AHD], and the number of local bus buffer delays used as programmed at power-on reset with configuration pins TSEC2\_TXD[6:5].
- For purposes of active/float timing measurements, the Hi-Z or off state is defined to be when the total current delivered through the component pin is less than or equal to the leakage current specification.
- Guaranteed by characterization.
- Guaranteed by design.

Table 32 describes the general timing parameters of the local bus interface of the MPC8560 with the DLL bypassed.

**Table 32. Local Bus General Timing Parameters—DLL Bypassed**

Parameter	POR Configuration	Symbol <sup>1</sup>	Min	Max	Unit	Notes
Local bus cycle time	—	t <sub>LBK</sub>	6.0	—	ns	2
Internal launch/capture clock to LCLK delay	—	t <sub>LBKHKT</sub>	2.3	3.9	ns	8
LCLK[n] skew to LCLK[m] or LSYNC_OUT	—	t <sub>LBKSKEW</sub>	—	150	ps	3, 9
Input setup to local bus clock (except LUPWAIT)	—	t <sub>LBIVKH1</sub>	5.7	—	ns	4, 5
LUPWAIT input setup to local bus clock	—	t <sub>LBIVKH2</sub>	5.6	—	ns	4, 5
Input hold from local bus clock (except LUPWAIT)	—	t <sub>LBIXKH1</sub>	-1.8	—	ns	4, 5
LUPWAIT input hold from local bus clock	—	t <sub>LBIXKH2</sub>	-1.3	—	ns	4, 5
LALE output transition to LAD/LDP output transition (LATCH hold time)	—	t <sub>LBOTOT</sub>	1.5	—	ns	6
Local bus clock to output valid (except LAD/LDP and LALE)	TSEC2_TXD[6:5] = 00	t <sub>LBKLOV1</sub>	—	-0.3	ns	4
	TSEC2_TXD[6:5] = 11 (default)			1.2		

**Table 32. Local Bus General Timing Parameters—DLL Bypassed (continued)**

Parameter	POR Configuration	Symbol <sup>1</sup>	Min	Max	Unit	Notes
Local bus clock to data valid for LAD/LDP	TSEC2_TXD[6:5] = 00	$t_{LBKLOV2}$	—	-0.1	ns	4
	TSEC2_TXD[6:5] = 11 (default)			1.4		
Local bus clock to address valid for LAD	TSEC2_TXD[6:5] = 00	$t_{LBKLOV3}$	—	0	ns	4
	TSEC2_TXD[6:5] = 11 (default)			1.5		
Local bus clock to LALE assertion		$t_{LBKHOV4}$	—	0	ns	4
Output hold from local bus clock (except LAD/LDP and LALE)	TSEC2_TXD[6:5] = 00	$t_{LBKLOX1}$	-3.2	—	ns	4
	TSEC2_TXD[6:5] = 11 (default)					
Output hold from local bus clock for LAD/LDP	TSEC2_TXD[6:5] = 00	$t_{LBKLOX2}$	-3.2	—	ns	4
	TSEC2_TXD[6:5] = 11 (default)					
Local bus clock to output high Impedance (except LAD/LDP and LALE)	TSEC2_TXD[6:5] = 00	$t_{LBKLOZ1}$	—	0.2	ns	7
	TSEC2_TXD[6:5] = 11 (default)			1.5		
Local bus clock to output high impedance for LAD/LDP	TSEC2_TXD[6:5] = 00	$t_{LBKLOZ2}$	—	0.2	ns	7
	TSEC2_TXD[6:5] = 11 (default)			1.5		

**Notes:**

- The symbols used for timing specifications herein follow the pattern of  $t_{(First\ two\ letters\ of\ functional\ block)(signal)(state)\ (reference)(state)}$  for inputs and  $t_{(First\ two\ letters\ of\ functional\ block)(reference)(state)(signal)(state)}$  for outputs. For example,  $t_{LBIXKH1}$  symbolizes local bus timing (LB) for the input (I) to go invalid (X) with respect to the time the  $t_{LBK}$  clock reference (K) goes high (H), in this case for clock one(1). Also,  $t_{LBKHGX}$  symbolizes local bus timing (LB) for the  $t_{LBK}$  clock reference (K) to go high (H), with respect to the output (O) going invalid (X) or output hold time.
- All timings are in reference to local bus clock for DLL bypass mode. Timings may be negative with respect to the local bus clock because the actual launch and capture of signals is done with the internal launch/capture clock, which precedes LCLK by  $t_{LBKHKT}$ .
- Maximum possible clock skew between a clock LCLK[m] and a relative clock LCLK[n]. Skew measured between complementary signals at  $OV_{DD}/2$ .
- All signals are measured from  $OV_{DD}/2$  of the rising edge of local bus clock for DLL bypass mode to  $0.4 \times OV_{DD}$  of the signal in question for 3.3-V signaling levels.
- Input timings are measured at the pin.
- The value of  $t_{LBOTOT}$  is defined as the sum of 1/2 or 1  $ccb\_clk$  cycle as programmed by LBCR[AHD], and the number of local bus buffer delays used as programmed at power-on reset with configuration pins TSEC2\_TXD[6:5].
- For purposes of active/float timing measurements, the Hi-Z or off state is defined to be when the total current delivered through the component pin is less than or equal to the leakage current specification.
- Guaranteed by characterization.
- Guaranteed by design.

Figure 16 provides the AC test load for the local bus.

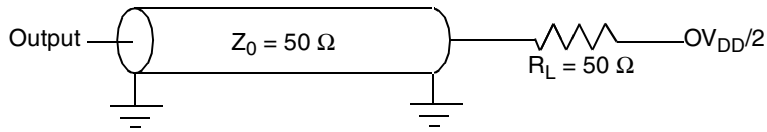


Figure 16. Local Bus AC Test Load

Figure 17 through Figure 22 show the local bus signals.

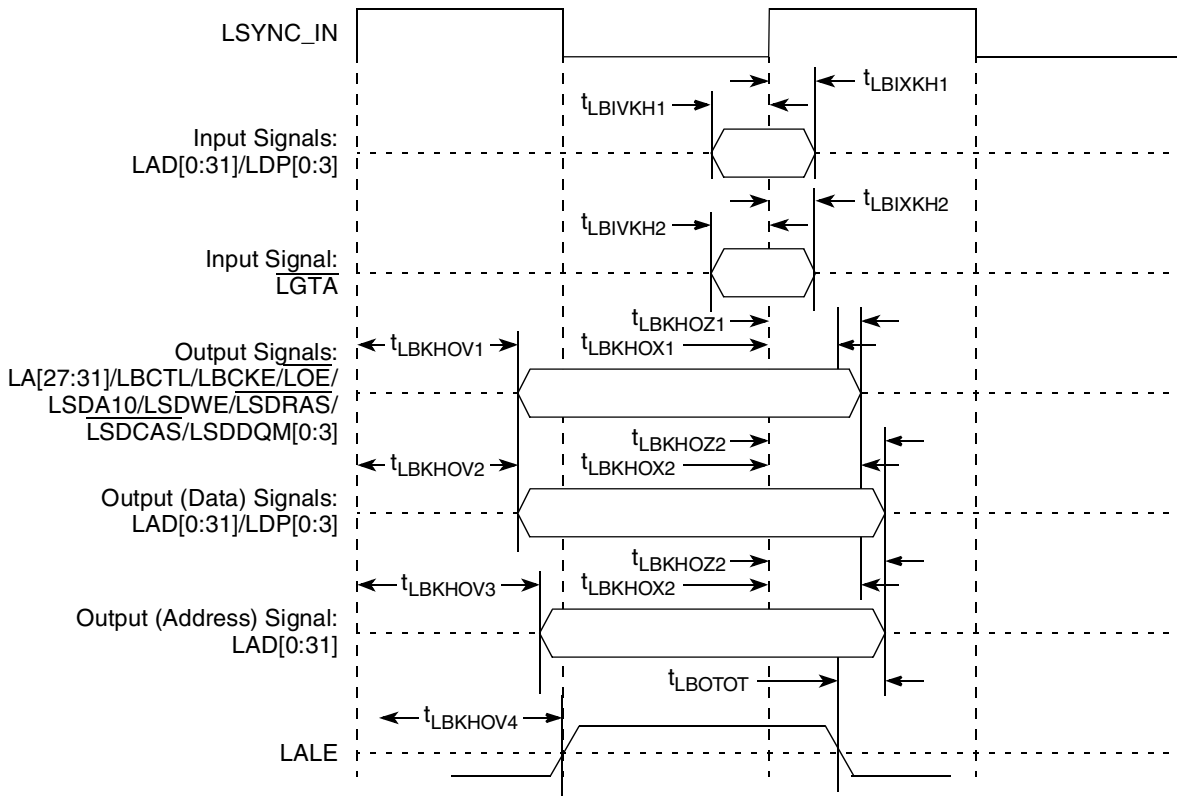


Figure 17. Local Bus Signals, Nonspecial Signals Only (DLL Enabled)

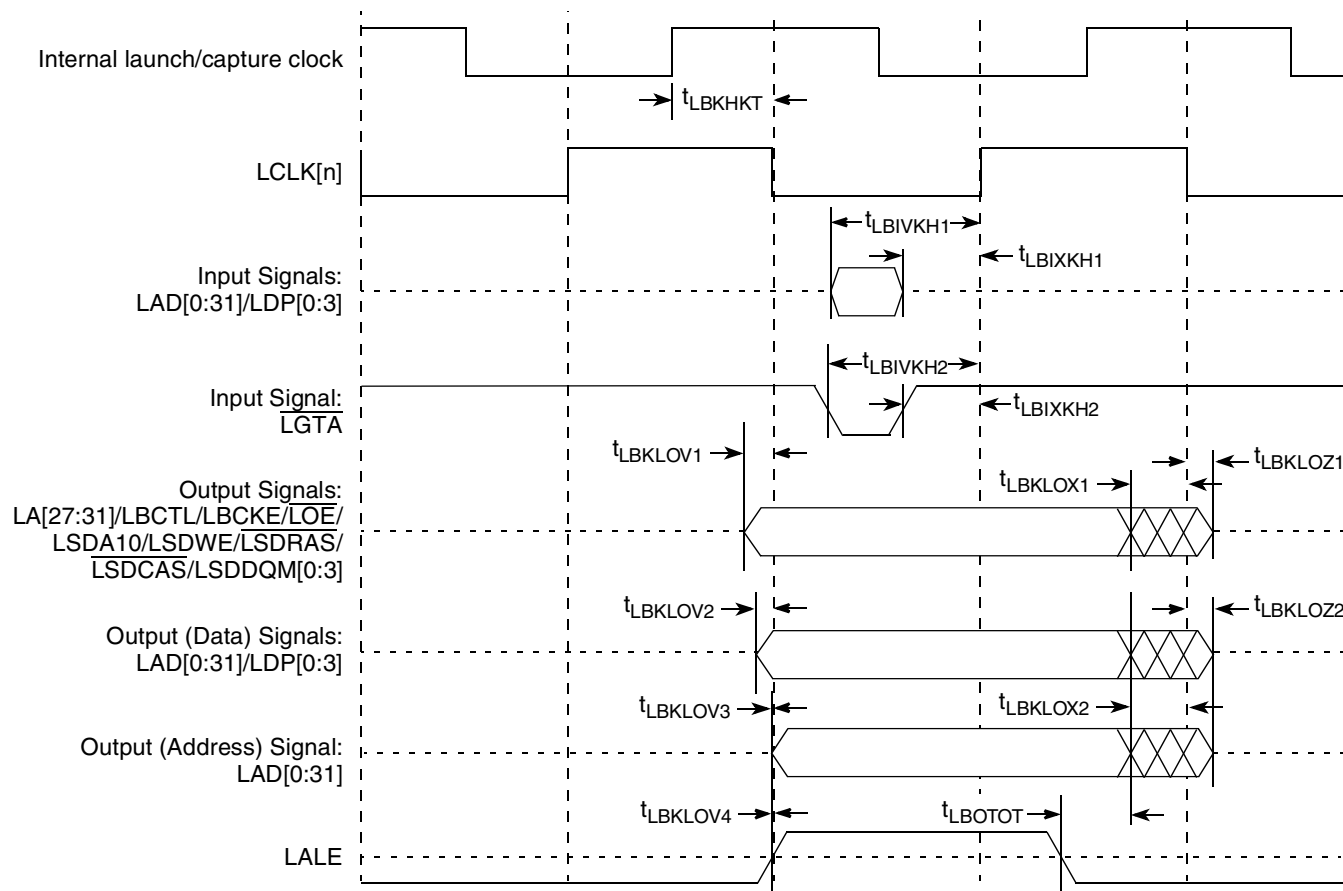
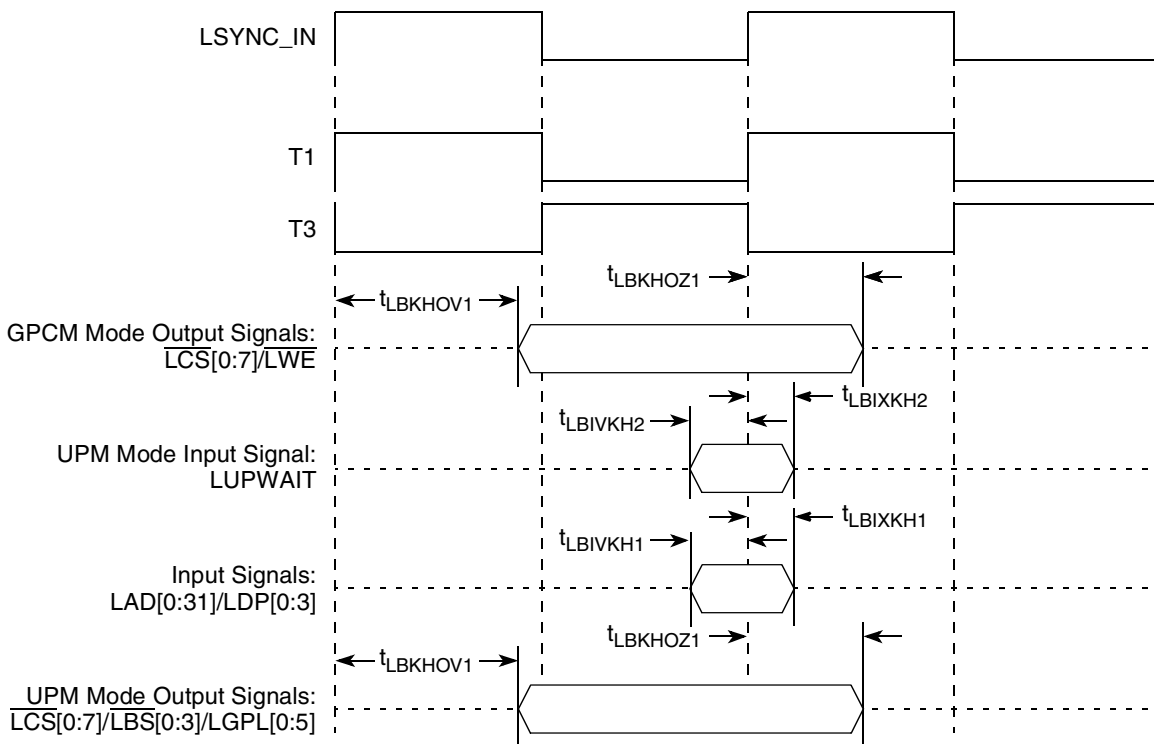


Figure 18. Local Bus Signals (DLL Bypass Mode)



**Figure 19. Local Bus Signals, GPCM/UPM Signals for LCCR[CLKDIV] = 2 (DLL Enabled)**



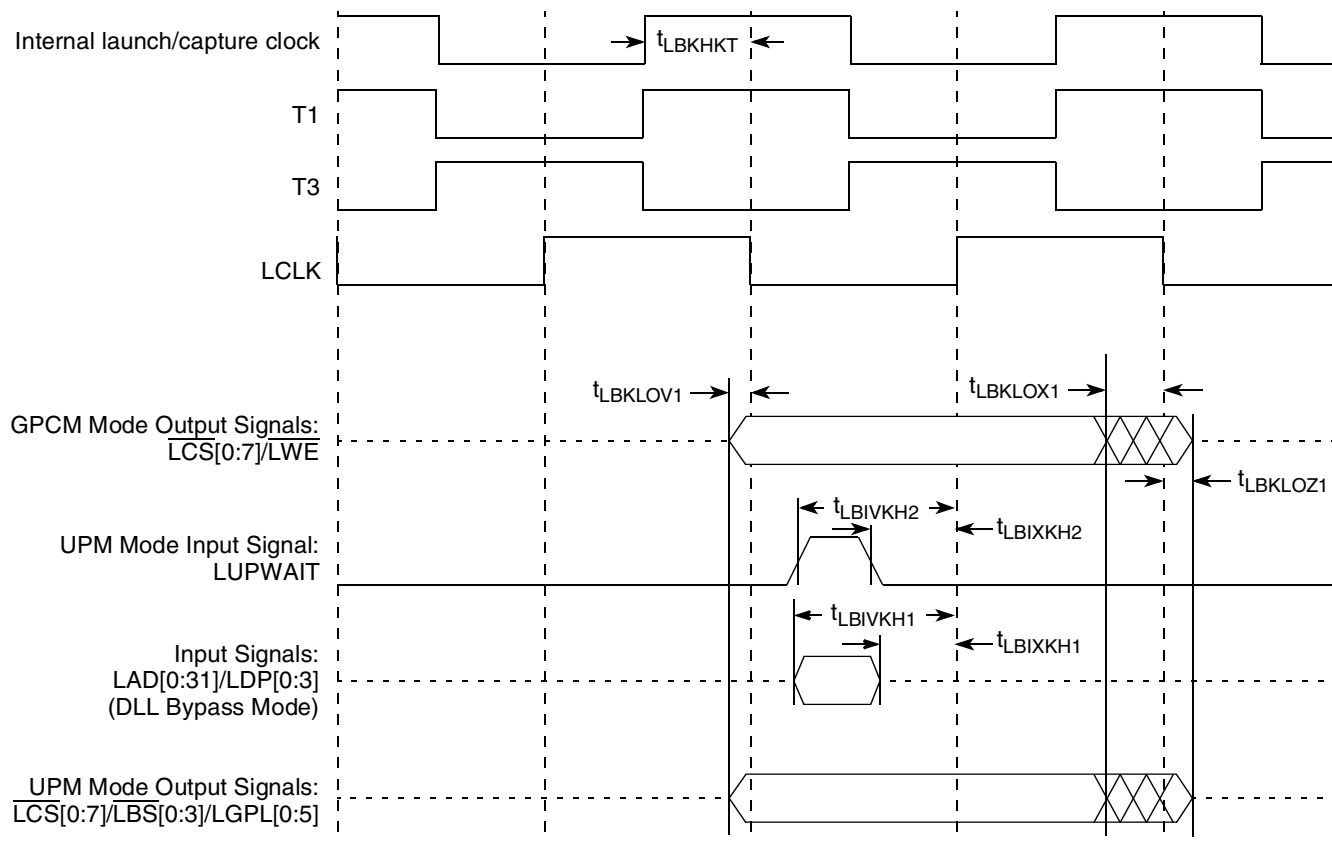


Figure 20. Local Bus Signals, GPCM/UPM Signals for LCCR[CLKDIV] = 2 (DLL Bypass Mode)

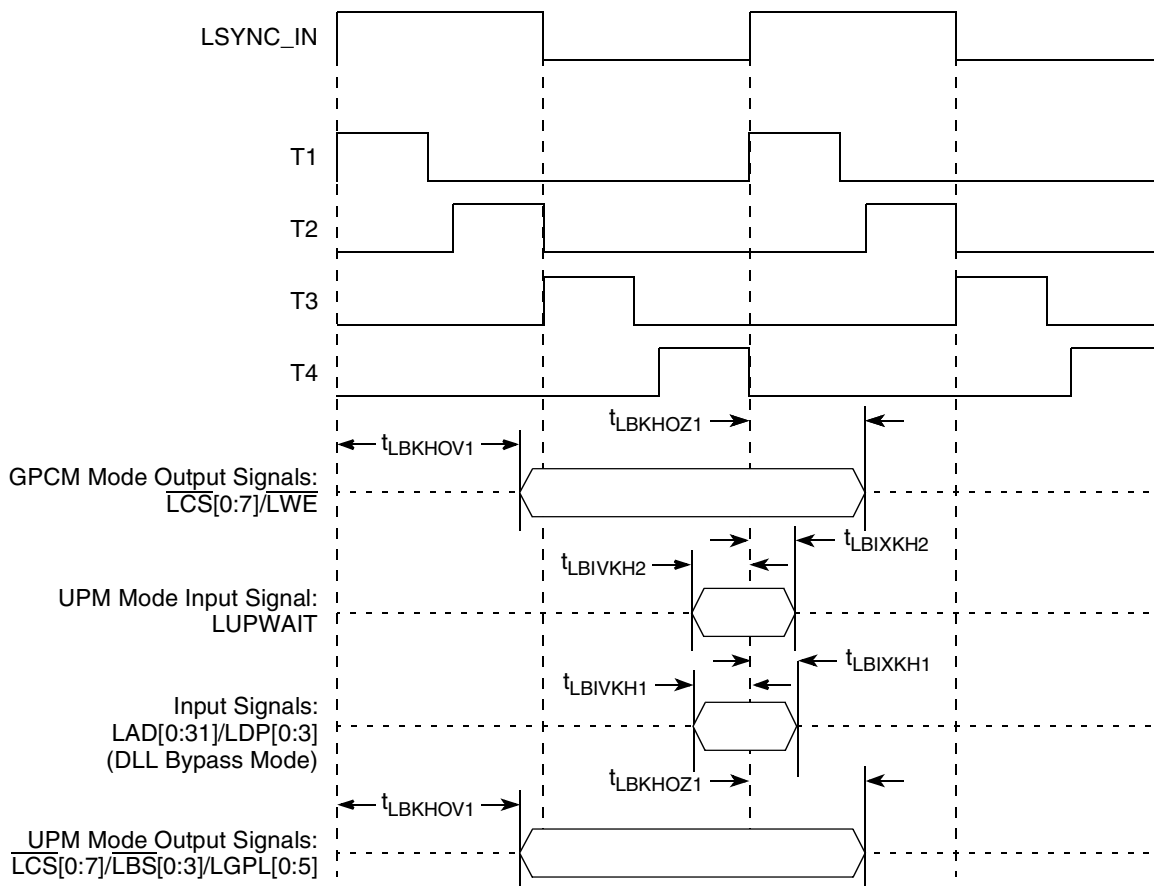


Figure 21. Local Bus Signals, GPCM/UPM Signals for LCCR[CLKDIV] = 4 or 8 (DLL Enabled)

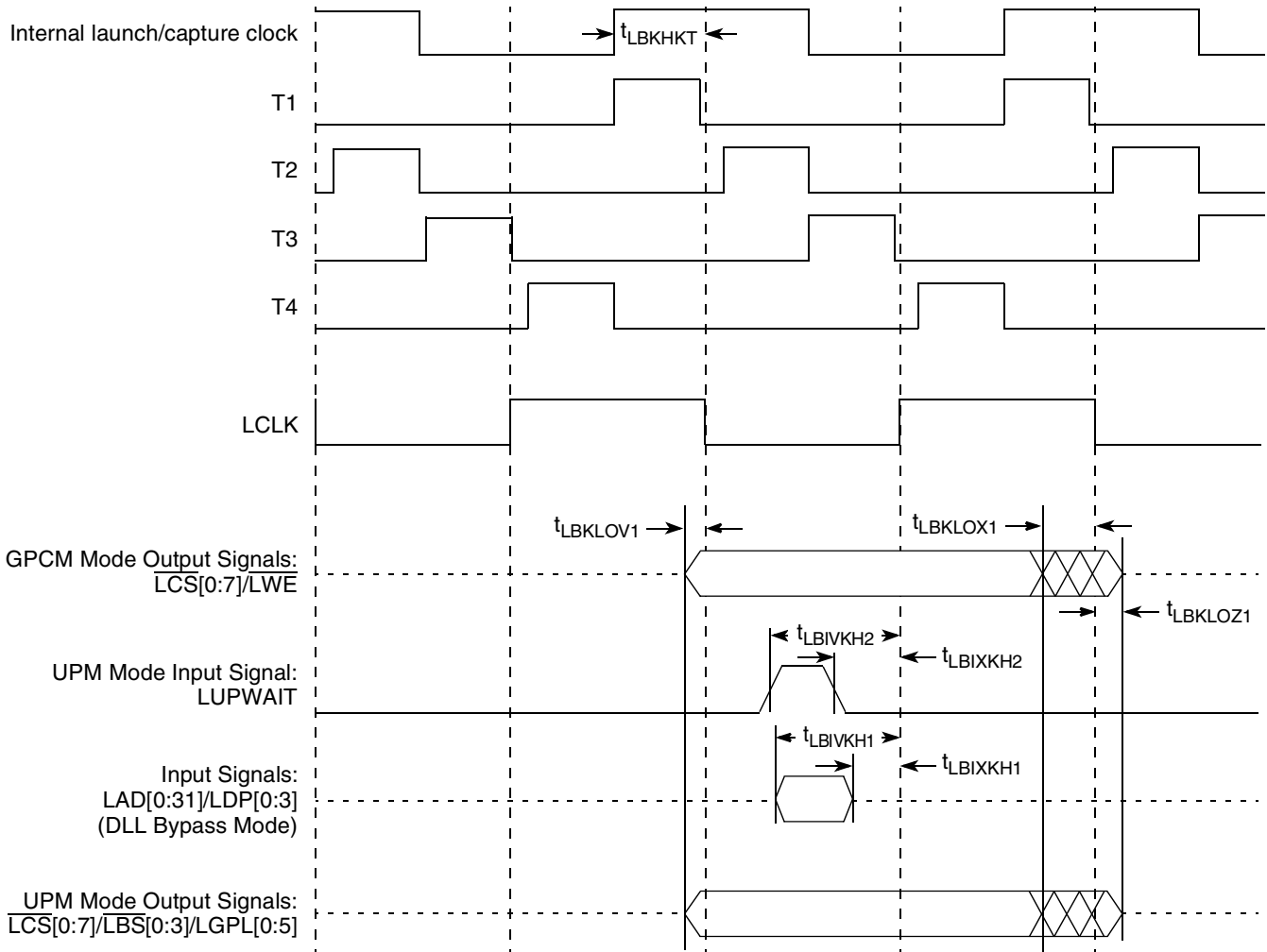


Figure 22. Local Bus Signals, GPCM/UPM Signals for LCCR[CLKDIV] = 4 or 8 (DLL Bypass Mode)

## 9 CPM

This section describes the DC and AC electrical specifications for the CPM of the MPC8560.

### 9.1 CPM DC Electrical Characteristics

Table 33 provides the DC electrical characteristics for the MPC8560 CPM.

Table 33. CPM DC Electrical Characteristics

Characteristic	Symbol	Min	Max	Unit	Notes
Input high voltage	$V_{IH}$	2.0	3.465	V	1
Input low voltage	$V_{IL}$	GND	0.8	V	1, 2
Output high voltage ( $I_{OH} = -8.0$ mA)	$V_{OH}$	2.4	—	V	1
Output low voltage ( $I_{OL} = 8.0$ mA)	$V_{OL}$	—	0.5	V	1

**Table 33. CPM DC Electrical Characteristics (continued)**

Characteristic	Symbol	Min	Max	Unit	Notes
Output high voltage ( $I_{OH} = -2.0$ mA)	$V_{OH}$	2.4	—	V	1
Output low voltage ( $I_{OL} = 3.2$ mA)	$V_{OL}$	—	0.4	V	1

**Note:**

1. This specification applies to the following pins: PA[0–31], PB[4–31], PC[0–31], and PD[4–31].
2.  $V_{IL(max)}$  for the IIC interface is 0.8 V rather than the 1.5 V specified in the IIC standard

## 9.2 CPM AC Timing Specifications

Table 34 and Table 35 provide the CPM input and output AC timing specifications, respectively.

**NOTE: Rise/Fall Time on CPM Input Pins**

It is recommended that the rise/fall time on CPM input pins should not exceed 5 ns. This should be enforced especially on clock signals. Rise time refers to signal transitions from 10% to 90% of VCC; fall time refers to transitions from 90% to 10% of VCC.

**Table 34. CPM Input AC Timing Specifications <sup>1</sup>**

Characteristic	Symbol <sup>2</sup>	Min <sup>3</sup>	Unit
FCC inputs—internal clock (NMSI) input setup time	$t_{FIIVKH}$	6	ns
FCC inputs—internal clock (NMSI) hold time	$t_{FIIXKH}$	0	ns
FCC inputs—external clock (NMSI) input setup time	$t_{FEIVKH}$	2.5	ns
FCC inputs—external clock (NMSI) hold time	$t_{FEIXKH}^b$	2	ns
SCC/SPI inputs—internal clock (NMSI) input setup time	$t_{NIIVKH}$	6	ns
SCC/SPI inputs—internal clock (NMSI) input hold time	$t_{NIIXKH}$	0	ns
SCC/SPI inputs—external clock (NMSI) input setup time	$t_{NEIVKH}$	4	ns
SCC/SPI inputs—external clock (NMSI) input hold time	$t_{NEIXKH}$	2	ns
TDM inputs/SI—input setup time	$t_{TDIVKH}$	4	ns
TDM inputs/SI—hold time	$t_{TDIXKH}$	3	ns

**Table 34. CPM Input AC Timing Specifications <sup>1</sup> (continued)**

Characteristic	Symbol <sup>2</sup>	Min <sup>3</sup>	Unit
COL/CRS width high (FCC)	$t_{FCCH}$	1.5	CLK

**Notes:**

1. Input specifications are measured from the 50% level of the signal to the 50% level of the rising edge of Serial Clock. Timings are measured at the pin.
2. The symbols used for timing specifications herein follow the pattern of  $t_{(first\ two\ letters\ of\ functional\ block)(signal)(state)\ (reference)(state)}$  for inputs and  $t_{(first\ two\ letters\ of\ functional\ block)(reference)(state)(signal)(state)}$  for outputs. For example,  $t_{FIIVKH}$  symbolizes the FCC inputs internal timing (FI) with respect to the time the input signals (I) reaching the valid state (V) relative to the reference clock  $t_{FCC}$  (K) going to the high (H) state or setup time. And  $t_{TDIXKH}$  symbolizes the TDM timing (TD) with respect to the time the input signals (I) reach the invalid state (X) relative to the reference clock  $t_{FCC}$  (K) going to the high (H) state or hold time.
3. PIO and TIMER inputs and outputs are asynchronous to SYSCCLK or any other externally visible clock. PIO/TIMER inputs are internally synchronized to the CPM internal clock. PIO/TIMER outputs should be treated as asynchronous.

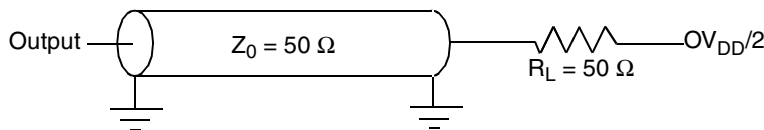
**Table 35. CPM Output AC Timing Specifications <sup>1</sup>**

Characteristic	Symbol <sup>2</sup>	Min	Max	Unit
FCC outputs—internal clock (NMSI) delay	$t_{FIKHOX}$	1	5.5	ns
FCC outputs—external clock (NMSI) delay	$t_{FEKHOX}$	2	8	ns
SCC/SPI outputs—internal clock (NMSI) delay	$t_{NIKHOX}$	0.5	10	ns
SCC outputs—external clock (NMSI) delay	$t_{NEKHOX}$	2	8	ns
SPI output—external clock (NMSI) delay	$t_{SEKHOX}$	2	11	ns
TDM outputs/SI delay	$t_{TDKHOX}$	2.5	11	ns

**Notes:**

1. Output specifications are measured from the 50% level of the rising edge of Serial Clock to the 50% level of the signal. Timings are measured at the pin.
2. The symbols used for timing specifications follow the pattern of  $t_{(first\ two\ letters\ of\ functional\ block)(signal)(state)\ (reference)(state)}$  for inputs and  $t_{(first\ two\ letters\ of\ functional\ block)(reference)(state)(signal)(state)}$  for outputs. For example,  $t_{FIKHOX}$  symbolizes the FCC inputs internal timing (FI) for the time  $t_{FCC}$  memory clock reference (K) goes from the high state (H) until outputs (O) are invalid (X).

Figure 16 provides the AC test load for the CPM.



**Figure 23. CPM AC Test Load**

Figure 24 through Figure 29 represent the AC timing from Table 34 and Table 35. Note that although the specifications generally reference the rising edge of the clock, these AC timing diagrams also apply when the falling edge is the active edge.

Figure 24 shows the FCC internal clock.

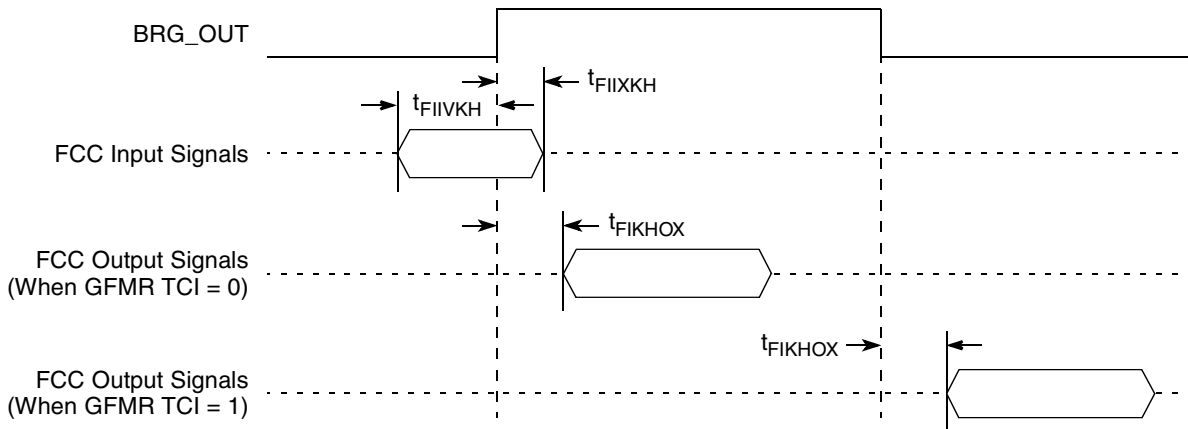


Figure 24. FCC Internal AC Timing Clock Diagram

Figure 25 shows the FCC external clock.

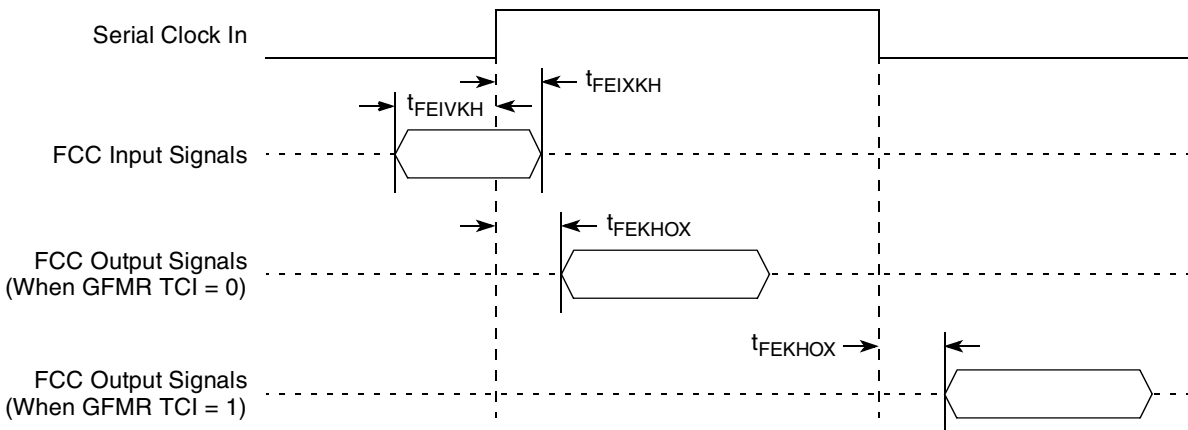


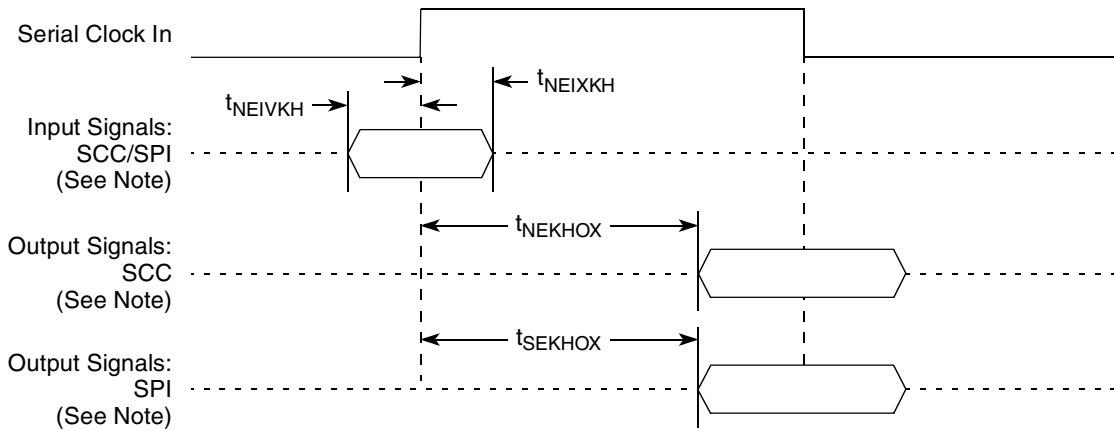
Figure 25. FCC External AC Timing Clock Diagram

Figure 26 shows Ethernet collision timing on FCCs.



Figure 26. Ethernet Collision AC Timing Diagram (FCC)

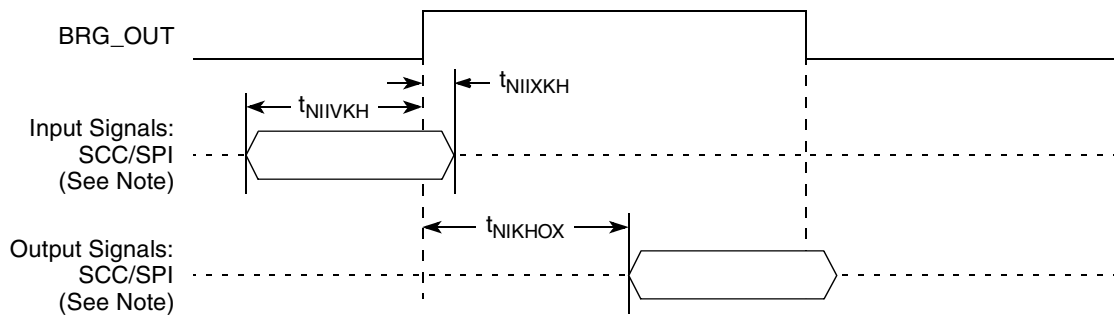
Figure 27 shows the SCC/SPI external clock.



**Note:** The clock edge is selectable on SCC and SPI.

**Figure 27. SCC/SPI AC Timing External Clock Diagram**

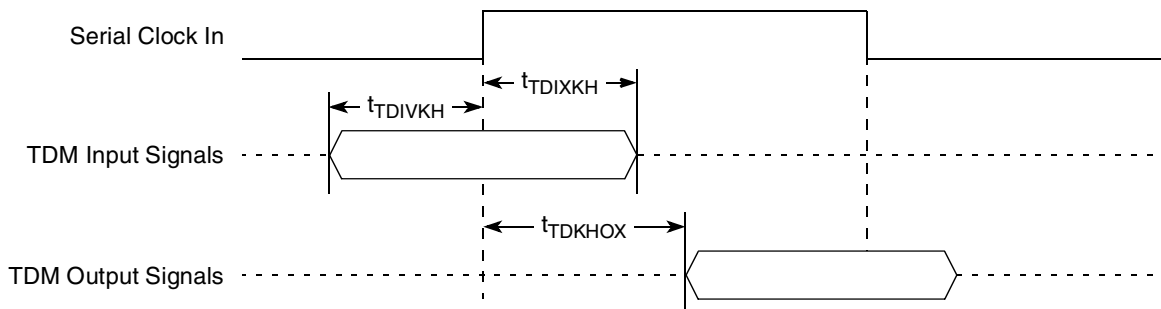
Figure 28 shows the SCC/SPI internal clock.



**Note:** The clock edge is selectable on SCC and SPI.

**Figure 28. SCC/SPI AC Timing Internal Clock Diagram**

Figure 29 shows TDM input and output signals.



**Note:** There are 4 possible TDM timing conditions:

1. Input sampled on the rising edge and output driven on the rising edge (shown).
2. Input sampled on the rising edge and output driven on the falling edge.
3. Input sampled on the falling edge and output driven on the falling edge.
4. Input sampled on the falling edge and output driven on the rising edge.

**Figure 29. TDM Signal AC Timing Diagram**

Table 36 shows CPM I<sup>2</sup>C AC Timing.

**Table 36. CPM I<sup>2</sup>C AC Timing**

Characteristic	Symbol	Min	Max	Unit
SCL clock frequency (slave)	f <sub>SCL</sub>	0	F <sub>MAX</sub> <sup>1</sup>	Hz
SCL clock frequency (master)	f <sub>SCL</sub>	BRGCLK/16512	BRGCLK/48	Hz
Bus free time between transmissions	t <sub>SDHDL</sub>	1/(2.2 * f <sub>SCL</sub> )	—	s
Low period of SCL	t <sub>SCLCH</sub>	1/(2.2 * f <sub>SCL</sub> )	—	s
High period of SCL	t <sub>SCHCL</sub>	1/(2.2 * f <sub>SCL</sub> )	—	s
Start condition setup time <sup>2</sup>	t <sub>SCHDL</sub>	2/(divider * f <sub>SCL</sub> )	—	s
Start condition hold time <sup>2</sup>	t <sub>SDLCL</sub>	3/(divider * f <sub>SCL</sub> )	—	s
Data hold time <sup>2</sup>	t <sub>SCLDX</sub>	2/(divider * f <sub>SCL</sub> )	—	s
Data setup time <sup>2</sup>	t <sub>SDVCH</sub>	3/(divider * f <sub>SCL</sub> )	—	s
SDA/SCL rise time	t <sub>SRISE</sub>	—	1/(10 * f <sub>SCL</sub> )	s
SDA/SCL fall time	t <sub>SFALL</sub>	—	1/(33 * f <sub>SCL</sub> )	s
Stop condition setup time	t <sub>SCHDH</sub>	2/(divider * f <sub>SCL</sub> )	—	s

Notes:

1. F<sub>MAX</sub> = BRGCLK/(min\_divider\*prescaler). Where prescaler=25-I2MODE[PDIV]; and min\_divider=12 if digital filter disabled and 18 if enabled.

Example #1: if I2MODE[PDIV]=11 (prescaler=4) and I2MODE[FLT]=0 (digital filter disabled) then F<sub>MAX</sub>=BRGCLK/48

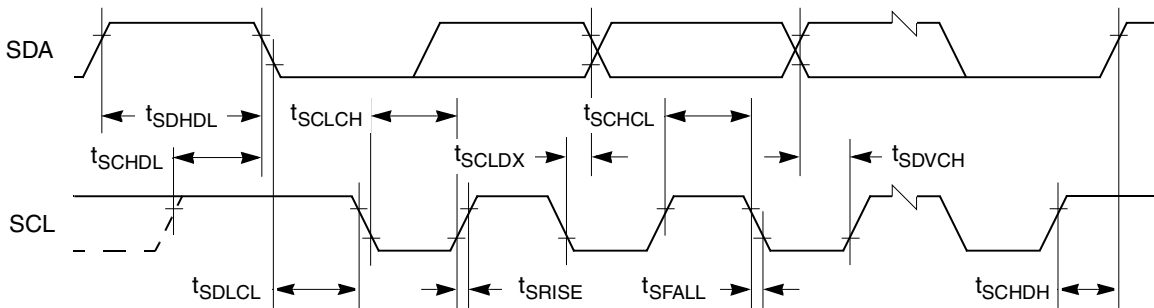
Example #2: if I2MODE[PDIV]=00 (prescaler=32) and I2MODE[FLT]=1 (digital filter enabled) then F<sub>MAX</sub>=BRGCLK/576

2. divider = f<sub>SCL</sub>/prescaler.

In master mode: divider = BRGCLK/(f<sub>SCL</sub>\*prescaler) = 2\*(I2BRG[DIV]+3)

In slave mode: divider = BRGCLK/(f<sub>SCL</sub>\*prescaler)

Figure 30 is a diagram of CPM I<sup>2</sup>C Bus Timing.



**Figure 30. CPM I<sup>2</sup>C Bus Timing Diagram**



Table 37 and Table 38 are examples of I<sup>2</sup>C AC parameters at I<sup>2</sup>C clock value of 100 kHz and 400 kHz respectively.

**Table 37. CPM I<sup>2</sup>C AC Timing (f<sub>SCL</sub> = 100 kHz)**

Characteristic	Symbol	Min	Max	Unit
SCL clock frequency (slave)	f <sub>SCL</sub>	—	100	KHz
SCL clock frequency (master)	f <sub>SCL</sub>	—	100	KHz
Bus free time between transmissions	t <sub>SDHDL</sub>	4.7	—	μs
Low period of SCL	t <sub>SCLCH</sub>	4.7	—	μs
High period of SCL	t <sub>SCHCL</sub>	4	—	μs
Start condition setup time <sup>2</sup>	t <sub>SCHDL</sub>	2	—	μs
Start condition hold time <sup>2</sup>	t <sub>SDLCL</sub>	3	—	μs
Data hold time <sup>2</sup>	t <sub>SCLDX</sub>	2	—	μs
Data setup time <sup>2</sup>	t <sub>SDVCH</sub>	3	—	μs
SDA/SCL rise time	t <sub>SRISE</sub>	—	1	μs
SDA/SCL fall time	t <sub>SFALL</sub>	—	303	ns
Stop condition setup time	t <sub>SCHDH</sub>	2	—	μs

**Table 38. CPM I<sup>2</sup>C AC Timing (f<sub>SCL</sub> = 400 kHz)**

Characteristic	Symbol	Min	Max	Unit
SCL clock frequency (slave)	f <sub>SCL</sub>	—	400	KHz
SCL clock frequency (master)	f <sub>SCL</sub>	—	400	KHz
Bus free time between transmissions	t <sub>SDHDL</sub>	1.2	—	μs
Low period of SCL	t <sub>SCLCH</sub>	1.2	—	μs
High period of SCL	t <sub>SCHCL</sub>	1	—	μs
Start condition setup time <sup>2</sup>	t <sub>SCHDL</sub>	420	—	ns
Start condition hold time <sup>2</sup>	t <sub>SDLCL</sub>	630	—	ns
Data hold time <sup>2</sup>	t <sub>SCLDX</sub>	420	—	ns
Data setup time <sup>2</sup>	t <sub>SDVCH</sub>	630	—	ns
SDA/SCL rise time	t <sub>SRISE</sub>	—	250	ns
SDA/SCL fall time	t <sub>SFALL</sub>	—	75	ns
Stop condition setup time	t <sub>SCHDH</sub>	420	—	ns

# 10 JTAG

This section describes the AC electrical specifications for the IEEE 1149.1 (JTAG) interface of the MPC8560.

Table 39 provides the JTAG AC timing specifications as defined in Figure 32 through Figure 35.

**Table 39. JTAG AC Timing Specifications (Independent of SYSCLK) <sup>1</sup>**

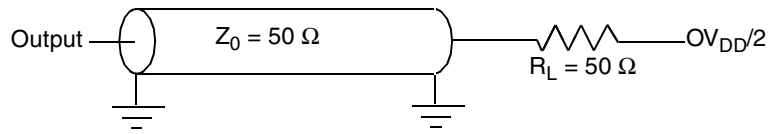
At recommended operating conditions (see Table 2).

Parameter	Symbol <sup>2</sup>	Min	Max	Unit	Notes
JTAG external clock frequency of operation	$f_{JTG}$	0	33.3	MHz	—
JTAG external clock cycle time	$t_{JTG}$	30	—	ns	—
JTAG external clock pulse width measured at 1.4 V	$t_{JTKHKL}$	15	—	ns	—
JTAG external clock rise and fall times	$t_{JTGR}$ & $t_{JTGF}$	0	2	ns	6
$\overline{TRST}$ assert time	$t_{TRST}$	25	—	ns	3
Input setup times:				ns	
Boundary-scan data TMS, TDI	$t_{JTDVKH}$ $t_{JTIVKH}$	4 0	— —		4
Input hold times:				ns	
Boundary-scan data TMS, TDI	$t_{JTDXKH}$ $t_{JTIXKH}$	20 25	— —		4
Valid times:				ns	
Boundary-scan data TDO	$t_{JTKLDV}$ $t_{JTKLOV}$	4 4	20 25		5
Output hold times:				ns	
Boundary-scan data TDO	$t_{JTKLDX}$ $t_{JTKLOX}$		—		5
JTAG external clock to output high impedance:				ns	
Boundary-scan data TDO	$t_{JTKLDZ}$ $t_{JTKLOZ}$	3 3	19 9		5, 6

**Notes:**

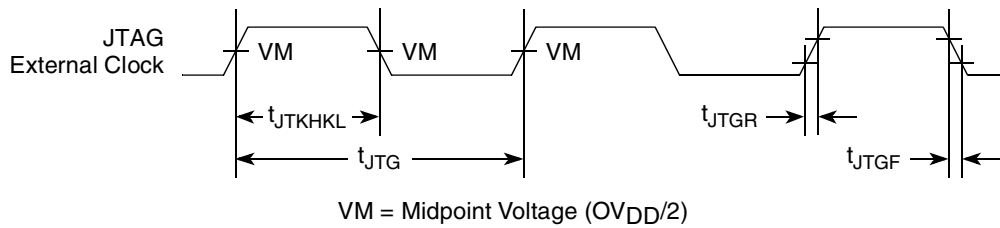
- All outputs are measured from the midpoint voltage of the falling/rising edge of  $t_{TCLK}$  to the midpoint of the signal in question. The output timings are measured at the pins. All output timings assume a purely resistive 50-Ω load (see Figure 31). Time-of-flight delays must be added for trace lengths, vias, and connectors in the system.
- The symbols used for timing specifications herein follow the pattern of  $t_{(first\ two\ letters\ of\ functional\ block)(signal)(state)\ (reference)(state)}$  for inputs and  $t_{(first\ two\ letters\ of\ functional\ block)(reference)(state)(signal)(state)}$  for outputs. For example,  $t_{JTDVKH}$  symbolizes JTAG device timing (JT) with respect to the time data input signals (D) reaching the valid state (V) relative to the  $t_{JTG}$  clock reference (K) going to the high (H) state or setup time. Also,  $t_{JTDXKH}$  symbolizes JTAG timing (JT) with respect to the time data input signals (D) went invalid (X) relative to the  $t_{JTG}$  clock reference (K) going to the high (H) state. Note that, in general, the clock reference symbol representation is based on three letters representing the clock of a particular functional. For rise and fall times, the latter convention is used with the appropriate letter: R (rise) or F (fall).
- $\overline{TRST}$  is an asynchronous level sensitive signal. The setup time is for test purposes only.
- Non-JTAG signal input timing with respect to  $t_{TCLK}$ .
- Non-JTAG signal output timing with respect to  $t_{TCLK}$ .
- Guaranteed by design.

Figure 31 provides the AC test load for TDO and the boundary-scan outputs of the MPC8560.



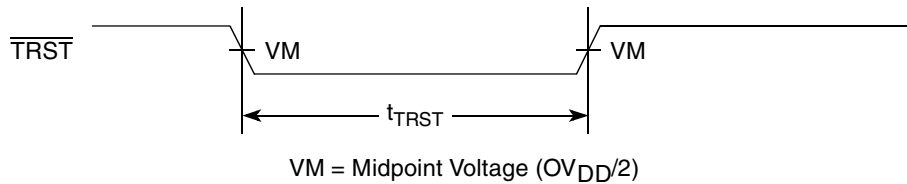
**Figure 31. AC Test Load for the JTAG Interface**

Figure 32 provides the JTAG clock input timing diagram.



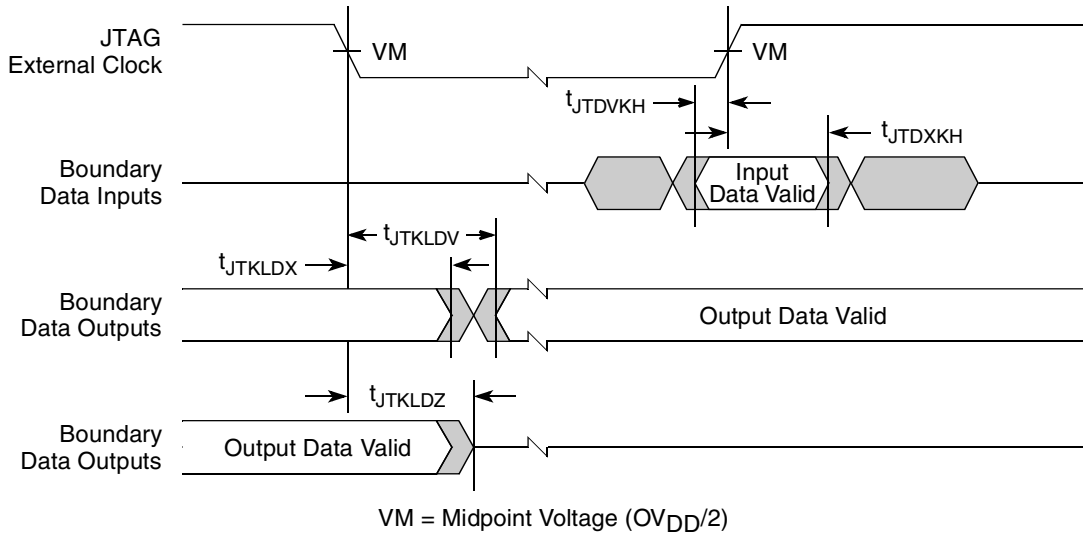
**Figure 32. JTAG Clock Input Timing Diagram**

Figure 33 provides the  $\overline{TRST}$  timing diagram.



**Figure 33.  $\overline{TRST}$  Timing Diagram**

Figure 34 provides the boundary-scan timing diagram.



**Figure 34. Boundary-Scan Timing Diagram**

Figure 35 provides the test access port timing diagram.

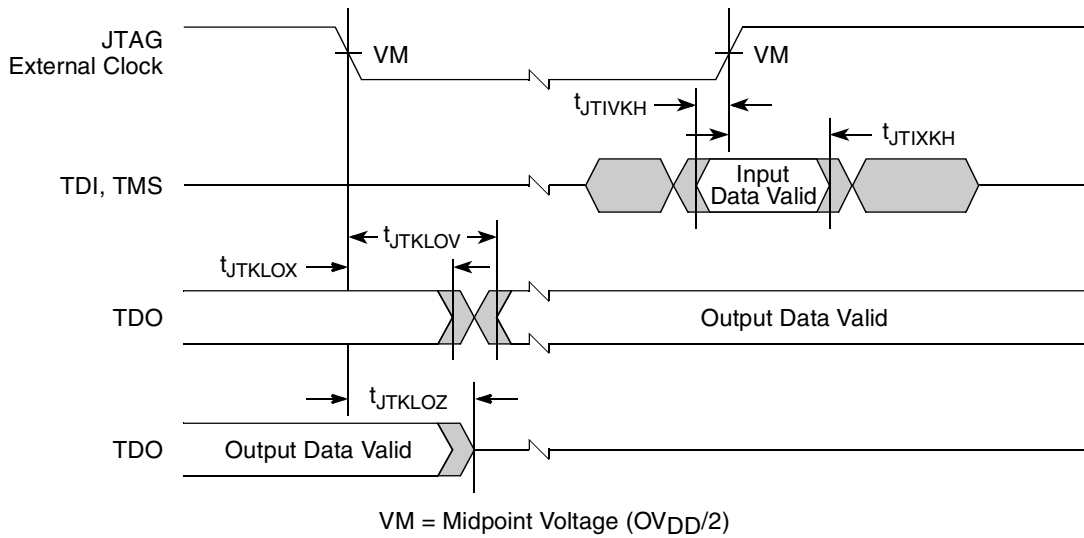


Figure 35. Test Access Port Timing Diagram

## 11 I<sup>2</sup>C

This section describes the DC and AC electrical characteristics for the I<sup>2</sup>C interface of the MPC8560.

### 11.1 I<sup>2</sup>C DC Electrical Characteristics

Table 40 provides the DC electrical characteristics for the I<sup>2</sup>C interface of the MPC8560.

Table 40. I<sup>2</sup>C DC Electrical Characteristics

At recommended operating conditions with  $OV_{DD}$  of  $3.3\text{ V} \pm 5\%$ .

Parameter	Symbol	Min	Max	Unit	Notes
Input high voltage level	$V_{IH}$	$0.7 \times OV_{DD}$	$OV_{DD} + 0.3$	V	—
Input low voltage level	$V_{IL}$	-0.3	$0.3 \times OV_{DD}$	V	—
Low level output voltage	$V_{OL}$	0	$0.2 \times OV_{DD}$	V	1
Pulse width of spikes which must be suppressed by the input filter	$t_{I2KHKL}$	0	50	ns	2
Input current each I/O pin (input voltage is between $0.1 \times OV_{DD}$ and $0.9 \times OV_{DD}(\text{max})$ )	$I_I$	-10	10	$\mu\text{A}$	3
Capacitance for each I/O pin	$C_I$	—	10	pF	—

**Notes:**

- Output voltage (open drain or open collector) condition = 3 mA sink current.
- Refer to the *MPC8560 PowerQUICC III Integrated Communications Processor Preliminary Reference Manual* for information on the digital filter used.
- I/O pins will obstruct the SDA and SCL lines if  $OV_{DD}$  is switched off.

## 11.2 I<sup>2</sup>C AC Electrical Specifications

Table 41 provides the AC timing parameters for the I<sup>2</sup>C interface of the MPC8560.

**Table 41. I<sup>2</sup>C AC Electrical Specifications**

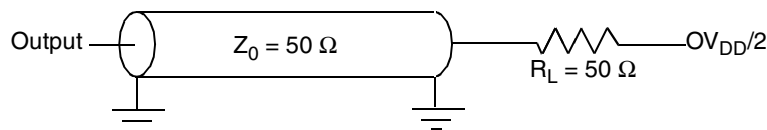
All values refer to  $V_{IH}$  (min) and  $V_{IL}$  (max) levels (see Table 40).

Parameter	Symbol <sup>1</sup>	Min	Max	Unit
SCL clock frequency	$f_{I2C}$	0	400	kHz
Low period of the SCL clock	$t_{I2CL}$ <sup>6</sup>	1.3	—	$\mu$ s
High period of the SCL clock	$t_{I2CH}$ <sup>6</sup>	0.6	—	$\mu$ s
Setup time for a repeated START condition	$t_{I2SVKH}$ <sup>6</sup>	0.6	—	$\mu$ s
Hold time (repeated) START condition (after this period, the first clock pulse is generated)	$t_{I2SXKL}$ <sup>6</sup>	0.6	—	$\mu$ s
Data setup time	$t_{I2DVKH}$ <sup>6</sup>	100	—	ns
Data hold time: CBUS compatible masters I <sup>2</sup> C bus devices	$t_{I2DXKL}$	— 0 <sup>2</sup>	— 0.9 <sup>3</sup>	$\mu$ s
Set-up time for STOP condition	$t_{I2PVKH}$	0.6	—	$\mu$ s
Bus free time between a STOP and START condition	$t_{I2KHDX}$	1.3	—	$\mu$ s
Noise margin at the LOW level for each connected device (including hysteresis)	$V_{NL}$	$0.1 \times OV_{DD}$	—	V
Noise margin at the HIGH level for each connected device (including hysteresis)	$V_{NH}$	$0.2 \times OV_{DD}$	—	V

**Notes:**

- The symbols used for timing specifications herein follow the pattern of  $t_{(first\ two\ letters\ of\ functional\ block)(signal)(state)}$  (reference)(state) for inputs and  $t_{(first\ two\ letters\ of\ functional\ block)(reference)(state)}$  (signal)(state) for outputs. For example,  $t_{I2DVKH}$  symbolizes I<sup>2</sup>C timing (I2) with respect to the time data input signals (D) reach the valid state (V) relative to the  $t_{I2C}$  clock reference (K) going to the high (H) state or setup time. Also,  $t_{I2SXKL}$  symbolizes I<sup>2</sup>C timing (I2) for the time that the data with respect to the start condition (S) went invalid (X) relative to the  $t_{I2C}$  clock reference (K) going to the low (L) state or hold time. Also,  $t_{I2PVKH}$  symbolizes I<sup>2</sup>C timing (I2) for the time that the data with respect to the stop condition (P) reaching the valid state (V) relative to the  $t_{I2C}$  clock reference (K) going to the high (H) state or setup time. For rise and fall times, the latter convention is used with the appropriate letter: R (rise) or F (fall).
- MPC8560 provides a hold time of at least 300 ns for the SDA signal (referred to the  $V_{IHmin}$  of the SCL signal) to bridge the undefined region of the falling edge of SCL.
- The maximum  $t_{I2DVKH}$  has only to be met if the device does not stretch the LOW period ( $t_{I2CL}$ ) of the SCL signal.
- $C_B$  = capacitance of one bus line in pF.
- Guaranteed by design.

Figure 16 provides the AC test load for the I<sup>2</sup>C.



**Figure 36. I<sup>2</sup>C AC Test Load**

Figure 37 shows the AC timing diagram for the I<sup>2</sup>C bus.

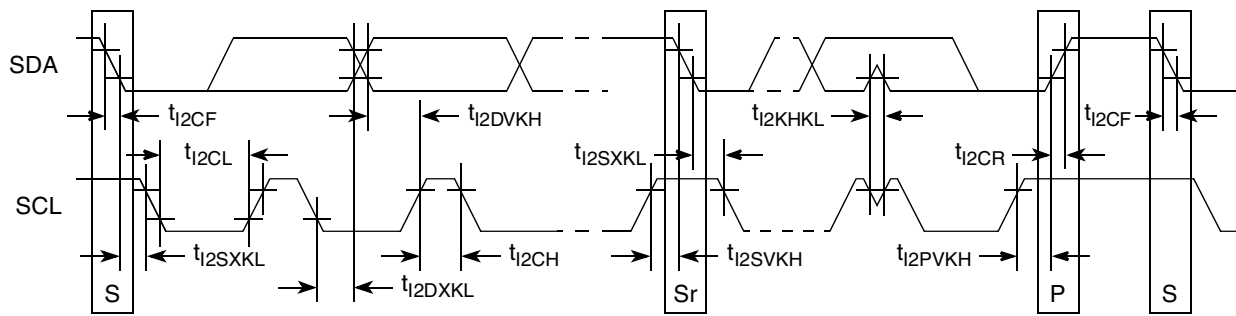


Figure 37. I<sup>2</sup>C Bus AC Timing Diagram

## 12 PCI/PCI-X

This section describes the DC and AC electrical specifications for the PCI/PCI-X bus of the MPC8560.

### 12.1 PCI/PCI-X DC Electrical Characteristics

Table 42 provides the DC electrical characteristics for the PCI/PCI-X interface of the MPC8560.

Table 42. PCI/PCI-X DC Electrical Characteristics <sup>1</sup>

Parameter	Symbol	Min	Max	Unit
High-level input voltage	$V_{IH}$	2	$OV_{DD} + 0.3$	V
Low-level input voltage	$V_{IL}$	-0.3	0.8	V
Input current ( $V_{IN}^2 = 0\text{ V}$ or $V_{IN} = V_{DD}$ )	$I_{IN}$	—	$\pm 5$	$\mu\text{A}$
High-level output voltage ( $OV_{DD} = \text{min}$ , $I_{OH} = -100\ \mu\text{A}$ )	$V_{OH}$	$OV_{DD} - 0.2$	—	V
Low-level output voltage ( $OV_{DD} = \text{min}$ , $I_{OL} = 100\ \mu\text{A}$ )	$V_{OL}$	—	0.2	V

**Notes:**

1. Ranges listed do not meet the full range of the DC specifications of the *PCI 2.2 Local Bus Specifications*.
2. Note that the symbol  $V_{IN}$ , in this case, represents the  $OV_{IN}$  symbol referenced in Table 1 and Table 2.

## 12.2 PCI/PCI-X AC Electrical Specifications

This section describes the general AC timing parameters of the PCI/PCI-X bus of the MPC8560. Note that the SYSCLK signal is used as the PCI input clock. Table 43 provides the PCI AC timing specifications at 66 MHz.

**Table 43. PCI AC Timing Specifications at 66 MHz**

Parameter	Symbol <sup>1</sup>	Min	Max	Unit	Notes
SYSCLK to output valid	$t_{PCKHOV}$	—	6.0	ns	2
Output hold from SYSCLK	$t_{PCKHOX}$	2.0	—	ns	2, 9
SYSCLK to output high impedance	$t_{PCKHOZ}$	—	14	ns	2, 3, 10
Input setup to SYSCLK	$t_{PCIVKH}$	3.0	—	ns	2, 4, 9
Input hold from SYSCLK	$t_{PCIXKH}$	0	—	ns	2, 4, 9
$\overline{REQ64}$ to $\overline{HRESET}$ <sup>9</sup> setup time	$t_{PCRVRH}$	$10 \times t_{SYS}$	—	clocks	5, 6, 10
$\overline{HRESET}$ to $\overline{REQ64}$ hold time	$t_{PCRHRX}$	0	50	ns	6, 10
$\overline{HRESET}$ high to first $\overline{FRAME}$ assertion	$t_{PCRHFV}$	10	—	clocks	7, 10

Notes:

- Note that the symbols used for timing specifications herein follow the pattern of  $t_{(\text{first two letters of functional block})(\text{signal})(\text{state}) (\text{reference})(\text{state})}$  for inputs and  $t_{(\text{first two letters of functional block})(\text{reference})(\text{state})(\text{signal})(\text{state})}$  for outputs. For example,  $t_{PCIVKH}$  symbolizes PCI/PCI-X timing (PC) with respect to the time the input signals (I) reach the valid state (V) relative to the SYSCLK clock,  $t_{SYS}$ , reference (K) going to the high (H) state or setup time. Also,  $t_{PCRHFV}$  symbolizes PCI/PCI-X timing (PC) with respect to the time hard reset (R) went high (H) relative to the frame signal (F) going to the valid (V) state.
- See the timing measurement conditions in the *PCI 2.2 Local Bus Specifications*.
- For purposes of active/float timing measurements, the Hi-Z or off state is defined to be when the total current delivered through the component pin is less than or equal to the leakage current specification.
- Input timings are measured at the pin.
- The timing parameter  $t_{SYS}$  indicates the minimum and maximum CLK cycle times for the various specified frequencies. The system clock period must be kept within the minimum and maximum defined ranges. For values see Section 15, "Clocking."
- The setup and hold time is with respect to the rising edge of  $\overline{HRESET}$ .
- The timing parameter  $t_{PCRHFV}$  is a minimum of 10 clocks rather than the minimum of 5 clocks in the *PCI 2.2 Local Bus Specifications*.
- The reset assertion timing requirement for  $\overline{HRESET}$  is 100  $\mu\text{s}$ .
- Guaranteed by characterization.
- Guaranteed by design.

Figure 16 provides the AC test load for PCI and PCI-X.

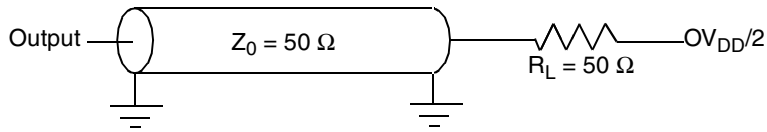


Figure 38. PCI/PCI-X AC Test Load

Figure 39 shows the PCI/PCI-X input AC timing conditions.

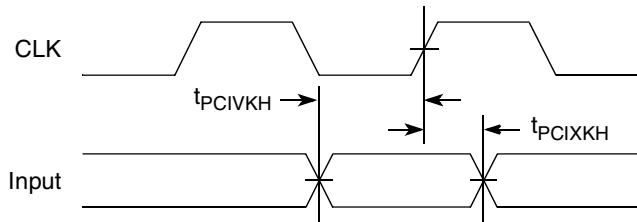


Figure 39. PCI-PCI-X Input AC Timing Measurement Conditions

Figure 40 shows the PCI/PCI-X output AC timing conditions.

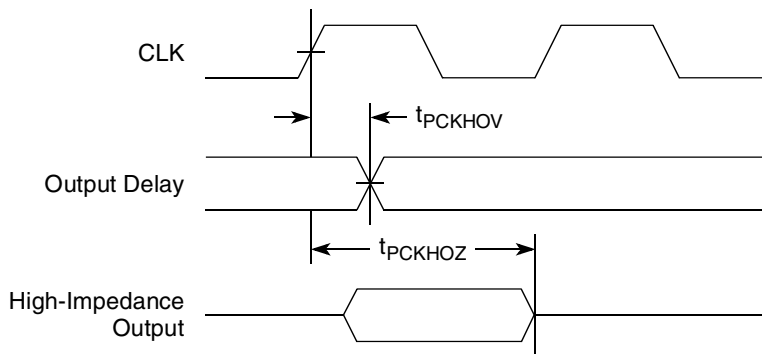


Figure 40. PCI-PCI-X Output AC Timing Measurement Condition

Table 44 provides the PCI-X AC timing specifications at 66 MHz.

Table 44. PCI-X AC Timing Specifications at 66 MHz

Parameter	Symbol	Min	Max	Unit	Notes
SYSCLK to signal valid delay	$t_{PCKHOV}$	—	3.8	ns	1, 2, 3, 7, 8
Output hold from SYSCLK	$t_{PCKHOX}$	0.7	—	ns	1, 10
SYSCLK to output high impedance	$t_{PCKHOZ}$	—	7	ns	1, 4, 8, 11
Input setup time to SYSCLK	$t_{PCIVKH}$	1.7	—	ns	3, 5
Input hold time from SYSCLK	$t_{PCIXKH}$	0.5	—	ns	10
$\overline{REQ64}$ to $\overline{HRESET}$ setup time	$t_{PCRVRH}$	10	—	clocks	11
$\overline{HRESET}$ to $\overline{REQ64}$ hold time	$t_{PCRHRX}$	0	50	ns	11
$\overline{HRESET}$ high to first $\overline{FRAME}$ assertion	$t_{PCRHFV}$	10	—	clocks	9, 11



**Table 44. PCI-X AC Timing Specifications at 66 MHz (continued)**

Parameter	Symbol	Min	Max	Unit	Notes
PCI-X initialization pattern to $\overline{\text{HRESET}}$ setup time	$t_{\text{PCIVRH}}$	10	—	clocks	11
$\overline{\text{HRESET}}$ to PCI-X initialization pattern hold time	$t_{\text{PCRHX}}$	0	50	ns	6, 11

**Notes:**

1. See the timing measurement conditions in the *PCI-X 1.0a Specification*.
2. Minimum times are measured at the package pin (not the test point). Maximum times are measured with the test point and load circuit.
3. Setup time for point-to-point signals applies to  $\overline{\text{REQ}}$  and  $\overline{\text{GNT}}$  only. All other signals are bused.
4. For purposes of active/float timing measurements, the Hi-Z or off state is defined to be when the total current delivered through the component pin is less than or equal to the leakage current specification.
5. Setup time applies only when the device is not driving the pin. Devices cannot drive and receive signals at the same time.
6. Maximum value is also limited by delay to the first transaction (time for  $\overline{\text{HRESET}}$  high to first configuration access,  $t_{\text{PCRHFV}}$ ). The PCI-X initialization pattern control signals after the rising edge of  $\overline{\text{HRESET}}$  must be negated no later than two clocks before the first  $\overline{\text{FRAME}}$  and must be floated no later than one clock before  $\overline{\text{FRAME}}$  is asserted.
7. A PCI-X device is permitted to have the minimum values shown for  $t_{\text{PCKHOV}}$  and  $t_{\text{CYC}}$  only in PCI-X mode. In conventional mode, the device must meet the requirements specified in PCI 2.2 for the appropriate clock frequency.
8. Device must meet this specification independent of how many outputs switch simultaneously.
9. The timing parameter  $t_{\text{PCRHFV}}$  is a minimum of 10 clocks rather than the minimum of 5 clocks in the *PCI-X 1.0a Specification*.
10. Guaranteed by characterization.
11. Guaranteed by design.

Table 45 provides the PCI-X AC timing specifications at 133 MHz.

**Table 45. PCI-X AC Timing Specifications at 133 MHz**

Parameter	Symbol	Min	Max	Unit	Notes
SYSCLK to signal valid delay	$t_{\text{PCKHOV}}$	—	3.8	ns	1, 2, 3, 7, 8
Output hold from SYSCLK	$t_{\text{PCKHOX}}$	0.7	—	ns	1, 11
SYSCLK to output high impedance	$t_{\text{PCKHOZ}}$	—	7	ns	1, 4, 8, 12
Input setup time to SYSCLK	$t_{\text{PCIVKH}}$	1.4	—	ns	3, 5, 9, 11
Input hold time from SYSCLK	$t_{\text{PCIXKH}}$	0.5	—	ns	11
$\overline{\text{REQ64}}$ to $\overline{\text{HRESET}}$ setup time	$t_{\text{PCRVRH}}$	10	—	clocks	12
$\overline{\text{HRESET}}$ to $\overline{\text{REQ64}}$ hold time	$t_{\text{PCRHRX}}$	0	50	ns	12
$\overline{\text{HRESET}}$ high to first $\overline{\text{FRAME}}$ assertion	$t_{\text{PCRHFV}}$	10	—	clocks	10, 12
PCI-X initialization pattern to $\overline{\text{HRESET}}$ setup time	$t_{\text{PCIVRH}}$	10	—	clocks	12

**Table 45. PCI-X AC Timing Specifications at 133 MHz (continued)**

Parameter	Symbol	Min	Max	Unit	Notes
$\overline{\text{HRESET}}$ to PCI-X initialization pattern hold time	$t_{\text{PCRHX}}$	0	50	ns	6, 12

**Notes:**

1. See the timing measurement conditions in the *PCI-X 1.0a Specification*.
2. Minimum times are measured at the package pin (not the test point). Maximum times are measured with the test point and load circuit.
3. Setup time for point-to-point signals applies to  $\overline{\text{REQ}}$  and  $\overline{\text{GNT}}$  only. All other signals are bused.
4. For purposes of active/float timing measurements, the Hi-Z or off state is defined to be when the total current delivered through the component pin is less than or equal to the leakage current specification.
5. Setup time applies only when the device is not driving the pin. Devices cannot drive and receive signals at the same time.
6. Maximum value is also limited by delay to the first transaction (time for  $\overline{\text{HRESET}}$  high to first configuration access,  $t_{\text{PCRHFV}}$ ). The PCI-X initialization pattern control signals after the rising edge of  $\overline{\text{HRESET}}$  must be negated no later than two clocks before the first  $\overline{\text{FRAME}}$  and must be floated no later than one clock before  $\overline{\text{FRAME}}$  is asserted.
7. A PCI-X device is permitted to have the minimum values shown for  $t_{\text{PCKHOV}}$  and  $t_{\text{CYC}}$  only in PCI-X mode. In conventional mode, the device must meet the requirements specified in PCI 2.2 for the appropriate clock frequency.
8. Device must meet this specification independent of how many outputs switch simultaneously.
9. The timing parameter  $t_{\text{PCIVKH}}$  is a minimum of 1.4 ns rather than the minimum of 1.2 ns in the *PCI-X 1.0a Specification*.
10. The timing parameter  $t_{\text{PCRHFV}}$  is a minimum of 10 clocks rather than the minimum of 5 clocks in the *PCI-X 1.0a Specification*.
11. Guaranteed by characterization.
12. Guaranteed by design.

## 13 RapidIO

This section describes the DC and AC electrical specifications for the RapidIO interface of the MPC8560.

### 13.1 RapidIO DC Electrical Characteristics

RapidIO driver and receiver DC electrical characteristics are provided in [Table 46](#) and [Table 47](#), respectively.

**Table 46. RapidIO 8/16 LP-LVDS Driver DC Electrical Characteristics**

At recommended operating conditions with  $\text{OV}_{\text{DD}}$  of 3.3 V  $\pm$  5%.

Characteristic	Symbol	Min	Max	Unit	Notes
Differential output high voltage	$V_{\text{OHD}}$	247	454	mV	1, 2
Differential output low voltage	$V_{\text{OLD}}$	-454	-247	mV	1, 2
Differential offset voltage	$\Delta V_{\text{OSD}}$	—	50	mV	1,3
Output high common mode voltage	$V_{\text{OHCM}}$	1.125	1.375	V	1, 4
Output low common mode voltage	$V_{\text{OLCM}}$	1.125	1.375	V	1, 5

**Table 46. RapidIO 8/16 LP-LVDS Driver DC Electrical Characteristics (continued)**

 At recommended operating conditions with  $OV_{DD}$  of  $3.3\text{ V} \pm 5\%$ .

Characteristic	Symbol	Min	Max	Unit	Notes
Common mode offset voltage	$\Delta V_{OSCM}$	—	50	mV	1, 6
Differential termination	$R_{TERM}$	90	220	W	—
Short circuit current (either output)	$ I_{SS} $	—	24	mA	7
Bridged short circuit current	$ I_{SB} $	—	12	mA	8

**Notes:**

1. Bridged 100- $\Omega$  load.
2. See [Figure 41\(a\)](#).
3. Differential offset voltage =  $|V_{OHD} + V_{OLD}|$ . See [Figure 41\(b\)](#).
4.  $V_{OHCM} = (V_{OA} + V_{OB})/2$  when measuring  $V_{OHD}$ .
5.  $V_{OLCM} = (V_{OA} + V_{OB})/2$  when measuring  $V_{OLD}$ .
6. Common mode offset  $\Delta V_{OSCM} = |V_{OHCM} - V_{OLCM}|$ . See [Figure 41\(c\)](#).
7. Outputs shorted to  $V_{DD}$  or GND.
8. Outputs shorted together.

**Table 47. RapidIO 8/16 LP-LVDS Receiver DC Electrical Characteristics**

Characteristic	Symbol	Min	Max	Unit	Notes
Voltage at either input	$V_I$	0	2.4	V	—
Differential input high voltage	$V_{IHD}$	100	600	mV	1
Differential input low voltage	$V_{ILD}$	-600	-100	mV	1
Common mode input range (referenced to receiver ground)	$V_{ICM}$	0.050	2.350	V	2
Input differential resistance	$R_{IN}$	90	110	W	—

**Notes:**

1. Over the common mode range.
2. Limited by  $V_I$ . See [Figure 48](#).

Figure 41 shows the DC driver signal levels.

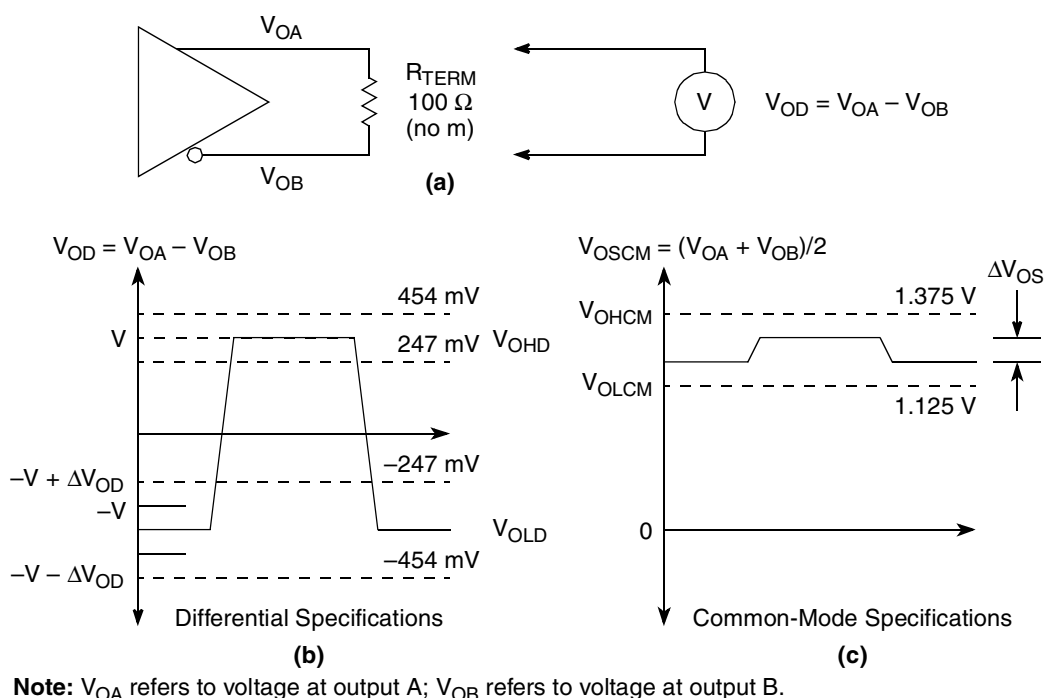


Figure 41. DC Driver Signal Levels

## 13.2 RapidIO AC Electrical Specifications

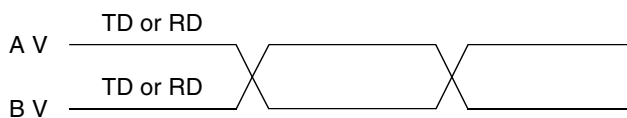
This section contains the AC electrical specifications for a RapidIO 8/16 LP-LVDS device. The interface defined is a parallel differential low-power high-speed signal interface. Note that the source of the transmit clock on the RapidIO interface is dependent on the settings of the LGPL[0:1] signals at reset. Note that the default setting makes the core complex bus (CCB) clock the source of the transmit clock. See Chapter 4 of the Reference Manual for more details on reset configuration settings.

## 13.3 RapidIO Concepts and Definitions

This section specifies signals using differential voltages. Figure 42 shows how the signals are defined. The figure shows waveforms for either a transmitter output (TD and  $\overline{TD}$ ) or a receiver input (RD and  $\overline{RD}$ ). Each signal swings between A volts and B volts where  $A > B$ . Using these waveforms, the definitions are as follows:

- The transmitter output and receiver input signals TD,  $\overline{TD}$ , RD, and  $\overline{RD}$  each have a peak-to-peak swing of A-B volts.
- The differential output signal of the transmitter,  $V_{OD}$ , is defined as  $V_{TD} - V_{\overline{TD}}$ .
- The differential input signal of the receiver,  $V_{ID}$ , is defined as  $V_{RD} - V_{\overline{RD}}$ .
- The differential output signal of the transmitter or input signal of the receiver, ranges from A – B volts to –(A – B) volts.

- The peak differential signal of the transmitter output or receiver input, is  $A - B$  volts.
- The peak-to-peak differential signal of the transmitter output or receiver input, is  $2 \times (A - B)$  volts.



**Figure 42. Differential Peak-to-Peak Voltage of Transmitter or Receiver**

To illustrate these definitions using numerical values, consider the case where a LVDS transmitter has a common mode voltage of 1.2 V and each signal has a swing that goes between 1.4 and 1.0 V. Using these values, the peak-to-peak voltage swing of the signals TD,  $\overline{\text{TD}}$ , RD, and  $\overline{\text{RD}}$  is 400 mV. The differential signal ranges between 400 and  $-400$  mV. The peak differential signal is 400 mV, and the peak-to-peak differential signal is 800 mV.

A timing edge is the zero-crossing of a differential signal. Each skew timing parameter on a parallel bus is synchronously measured on two signals relative to each other in the same cycle, such as data to data, data to clock, or clock to clock. A skew timing parameter may be relative to the edge of a signal or to the middle of two sequential edges.

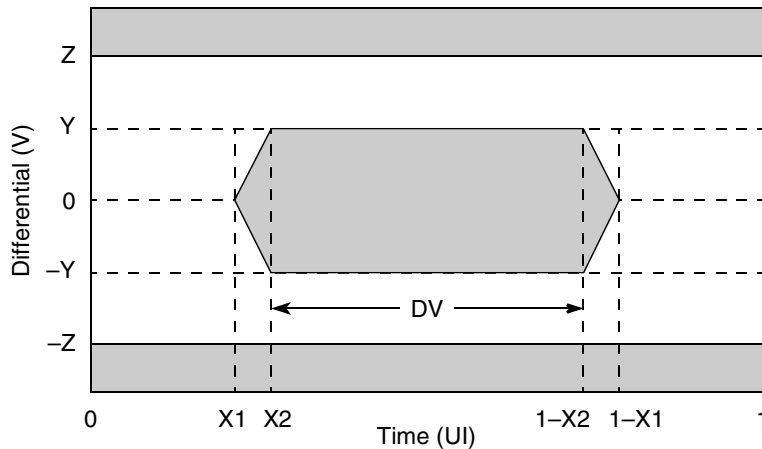
Static skew represents the timing difference between signals that does not vary over time regardless of system activity or data pattern. Path length differences are a primary source of static skew.

Dynamic skew represents the amount of timing difference between signals that is dependent on the activity of other signals and varies over time. Crosstalk between signals is a source of dynamic skew.

Eye diagrams and compliance masks are a useful way to visualize and specify driver and receiver performance. This technique is used in several serial bus specifications. An example compliance mask is shown in [Figure 43](#). The key difference in the application of this technique for a parallel bus is that the data is source synchronous to its bus clock while serial data is referenced to its embedded clock. Eye diagrams reveal the quality (cleanness, openness, goodness) of a driver output or receiver input. An advantage of using an eye diagram and a compliance mask is that it allows specifying the quality of a signal without requiring separate specifications for effects such as rise time, duty cycle distortion, data dependent dynamic skew, random dynamic skew, etc. This allows the individual semiconductor manufacturer maximum flexibility to trade off various performance criteria while keeping the system performance constant.

In using the eye pattern and compliance mask approach, the quality of the signal is specified by the compliance mask. The mask specifies the maximum permissible magnitude of the signal and the minimum permissible eye opening. The eye diagram for the signal under test is generated according to the specification. Compliance is determined by whether the compliance mask can be positioned over the eye diagram such that the eye pattern falls entirely within the unshaded portion of the mask.

Serial specifications have clock encoded with the data, but the LP-LVDS physical layer defined by RapidIO is a source synchronous parallel port so additional specifications to include effects that are not found in serial links are required. Specifications for the effect of bit to bit timing differences caused by static skew have been added and the eye diagrams specified are measured relative to the associated clock in order to include clock to data effects. With the transmit output (or receiver input) eye diagram, the user can determine if the transmitter output (or receiver input) is compliant with an oscilloscope with the appropriate software.



**Figure 43. Example Compliance Mask**

Y = minimum data valid amplitude

Z = maximum amplitude

1 UI = 1 unit interval = 1/baud rate

X1 = end of zero crossing region

X2 = beginning of data valid window

DV = data valid window =  $1 - 2 \times X2$

The waveform of the signal under test must fall within the unshaded area of the mask to be compliant. Different masks are used for the driver output and the receiver input allowing each to be separately specified.

### 13.3.1 RapidIO Driver AC Timing Specifications

Driver AC timing specifications are provided in [Table 48](#), [Table 49](#), and [Table 50](#). A driver shall comply with the specifications for each data rate/frequency for which operation of the driver is specified. Unless otherwise specified, these specifications are subject to the following conditions.

- The specifications apply over the supply voltage and ambient temperature ranges specified by the device vendor.
- The specifications apply for any combination of data patterns on the data signals.
- The output of a driver shall be connected to a  $100 \Omega, \pm 1\%$ , differential (bridged) resistive load.
- Clock specifications apply only to clock signals.
- Data specifications apply only to data signals (FRAME, D[0:7]).

**Table 48. RapidIO Driver AC Timing Specifications—500 Mbps Data Rate**

Characteristic	Symbol	Range		Unit	Notes
		Min	Max		
Differential output high voltage	$V_{OHD}$	200	540	mV	1
Differential output low voltage	$V_{OLD}$	-540	-200	mV	1

**Table 48. RapidIO Driver AC Timing Specifications—500 Mbps Data Rate (continued)**

Characteristic	Symbol	Range		Unit	Notes
		Min	Max		
Duty cycle	DC	48	52	%	2, 6
$V_{OD}$ rise time, 20%–80% of peak-to-peak differential signal swing	$t_{FALL}$	200	—	ps	3, 6
$V_{OD}$ fall time, 20%–80% of peak-to-peak differential signal swing	$t_{RISE}$	200	—	ps	6
Data valid	DV	1260	—	ps	
Skew of any two data outputs	$t_{DPAIR}$	—	180	ps	4, 6
Skew of single data outputs to associated clock	$t_{SKEW,PAIR}$	–180	180	ps	5, 6

**Notes:**

1. See [Figure 44](#).
2. Requires  $\pm 100$  ppm long term frequency stability.
3. Measured at  $V_{OD} = 0$  V.
4. Measured using the RapidIO transmit mask shown in [Figure 44](#).
5. See [Figure 49](#).
6. Guaranteed by design.

**Table 49. RapidIO Driver AC Timing Specifications—750 Mbps Data Rate**

Characteristic	Symbol	Range		Unit	Notes
		Min	Max		
Differential output high voltage	$V_{OHD}$	200	540	mV	1
Differential output low voltage	$V_{OLD}$	–540	–200	mV	1
Duty cycle	DC	48	52	%	2, 6
$V_{OD}$ rise time, 20%–80% of peak-to-peak differential signal swing	$t_{FALL}$	133	—	ps	3, 6
$V_{OD}$ fall time, 20%–80% of peak-to-peak differential signal swing	$t_{RISE}$	133	—	ps	6
Data valid	DV	800	—	ps	6
Skew of any two data outputs	$t_{DPAIR}$	—	133	ps	4, 6
Skew of single data outputs to associated clock	$t_{SKEW,PAIR}$	–133	133	ps	5, 6

**Notes:**

1. See [Figure 44](#).
2. Requires  $\pm 100$  ppm long term frequency stability.
3. Measured at  $V_{OD} = 0$  V.
4. Measured using the RapidIO transmit mask shown in [Figure 44](#).
5. See [Figure 49](#).
6. Guaranteed by design.

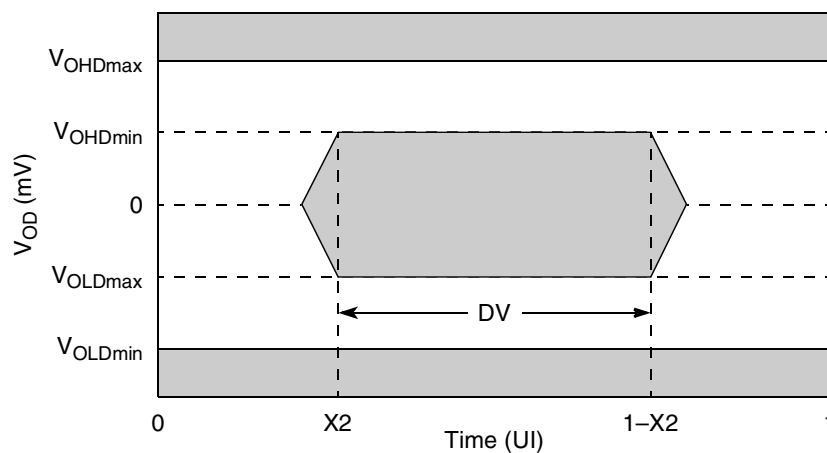
**Table 50. RapidIO Driver AC Timing Specifications—1 Gbps Data Rate**

Characteristic	Symbol	Range		Unit	Notes
		Min	Max		
Differential output high voltage	$V_{OHD}$	200	540	mV	1
Differential output low voltage	$V_{OLD}$	-540	-200	mV	1
Duty cycle	DC	48	52	%	2, 6
$V_{OD}$ rise time, 20%–80% of peak to peak differential signal swing	$t_{FALL}$	100	—	ps	3, 6
$V_{OD}$ fall time, 20%–80% of peak to peak differential signal swing	$t_{RISE}$	100	—	ps	6
Data valid	DV	575	—	ps	6
Skew of any two data outputs	$t_{DPAIR}$	—	100	ps	4, 6
Skew of single data outputs to associated clock	$t_{SKEW,PAIR}$	-100	100	ps	5, 6

**Notes:**

1. See Figure 44.
2. Requires  $\pm 100$  ppm long term frequency stability.
3. Measured at  $V_{OD} = 0$  V.
4. Measured using the RapidIO transmit mask shown in Figure 44.
5. See Figure 49.
6. Guaranteed by design.

The compliance of driver output signals TD[0:15] and TFRAME with their minimum data valid window (DV) specification shall be determined by generating an eye pattern for each of the data signals and comparing the eye pattern of each data signal with the RapidIO transmit mask shown in Figure 44. The value of X2 used to construct the mask shall be  $(1 - DV_{min})/2$ . A signal is compliant with the data valid window specification if the transmit mask can be positioned on the signal's eye pattern such that the eye pattern falls entirely within the unshaded portion of the mask.



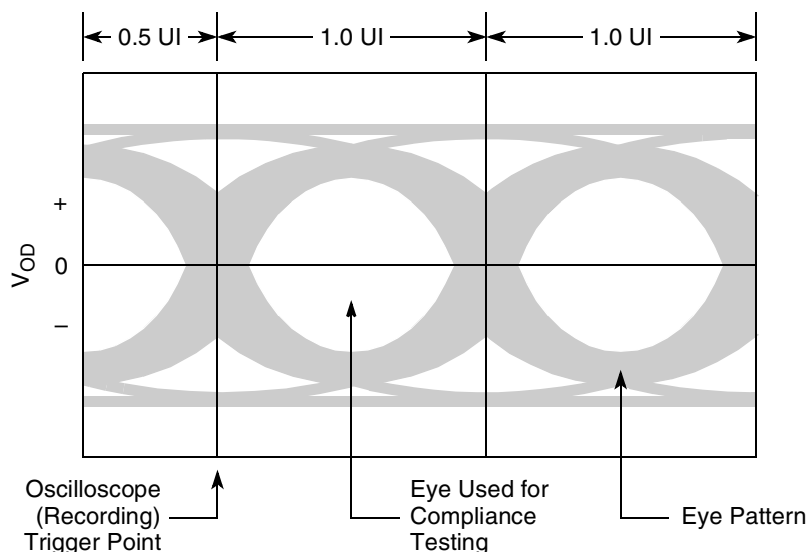
**Figure 44. RapidIO Transmit Mask**



The eye pattern for a data signal is generated by making a large number of recordings of the signal and then overlaying the recordings. The number of recordings used to generate the eye shall be large enough that further increasing the number of recordings used does not cause the resulting eye pattern to change from one that complies with the RapidIO transmit mask to one that does not. Each data signal in the interface shall be carrying random or pseudo-random data when the recordings are made. If pseudo-random data is used, the length of the pseudo-random sequence (repeat length) shall be long enough that increasing the length of the sequence does not cause the resulting eye pattern to change from one that complies with the RapidIO transmit mask to one that does not comply with the mask. The data carried by any given data signal in the interface may not be correlated with the data carried by any other data signal in the interface. The zero-crossings of the clock associated with a data signal shall be used as the timing reference for aligning the multiple recordings of the data signal when the recordings are overlaid.

While the method used to make the recordings and overlay them to form the eye pattern is not specified, the method used shall be demonstrably equivalent to the following method. The signal under test is repeatedly recorded with a digital oscilloscope in infinite persistence mode. Each recording is triggered by a zero-crossing of the clock associated with the data signal under test. Roughly half of the recordings are triggered by positive-going clock zero-crossings and roughly half are triggered by negative-going clock zero-crossings. Each recording is at least 1.9 UI in length (to ensure that at least one complete eye is formed) and begins 0.5 UI before the trigger point (0.5 UI before the associated clock zero-crossing). Depending on the length of the individual recordings used to generate the eye pattern, one or more complete eyes will be formed. Regardless of the number of eyes, the eye whose center is immediately to the right of the trigger point is the eye used for compliance testing.

An example of an eye pattern generated using the above method with recordings 3 UI in length is shown in Figure 45. In this example, there is no skew between the signal under test and the associated clock used to trigger the recordings. If skew was present, the eye pattern would be shifted to the left or right relative to the oscilloscope trigger point.



**Figure 45. Example Driver Output Eye Pattern**

### 13.3.2 RapidIO Receiver AC Timing Specifications

The RapidIO receiver AC timing specifications are provided in [Table 51](#). A receiver shall comply with the specifications for each data rate/frequency for which operation of the receiver is specified. Unless otherwise specified, these specifications are subject to the following conditions.

- The specifications apply over the supply voltage and ambient temperature ranges specified by the device vendor.
- The specifications apply for any combination of data patterns on the data signals.
- The specifications apply over the receiver common mode and differential input voltage ranges.
- Clock specifications apply only to clock signals.
- Data specifications apply only to data signals (FRAME, D[0:7])

**Table 51. RapidIO Receiver AC Timing Specifications—500 Mbps Data Rate**

Characteristic	Symbol	Range		Unit	Notes
		Min	Max		
Duty cycle of the clock input	DC	47	53	%	1, 5
Data valid	DV	1080		ps	2
Allowable static skew between any two data inputs within a 8-/9-bit group	$t_{DPAIR}$	—	380	ps	3
Allowable static skew of data inputs to associated clock	$t_{SKEW,PAIR}$	-300	300	ps	4

**Notes:**

1. Measured at  $V_{ID} = 0$  V.
2. Measured using the RapidIO receive mask shown in [Figure 46](#).
3. See [Figure 49](#).
4. See [Figure 48](#) and [Figure 49](#).
5. Guaranteed by design.

**Table 52. RapidIO Receiver AC Timing Specifications—750 Mbps Data Rate**

Characteristic	Symbol	Range		Unit	Notes
		Min	Max		
Duty cycle of the clock input	DC	47	53	%	1, 5
Data valid	DV	600	—	ps	2
Allowable static skew between any two data inputs within a 8-/9-bit group	$t_{DPAIR}$	—	400	ps	3
Allowable static skew of data inputs to associated clock	$t_{SKEW,PAIR}$	-267	267	ps	4

**Notes:**

1. Measured at  $V_{ID} = 0$  V.
2. Measured using the RapidIO receive mask shown in [Figure 46](#).
3. See [Figure 49](#).
4. See [Figure 48](#) and [Figure 49](#).
5. Guaranteed by design.

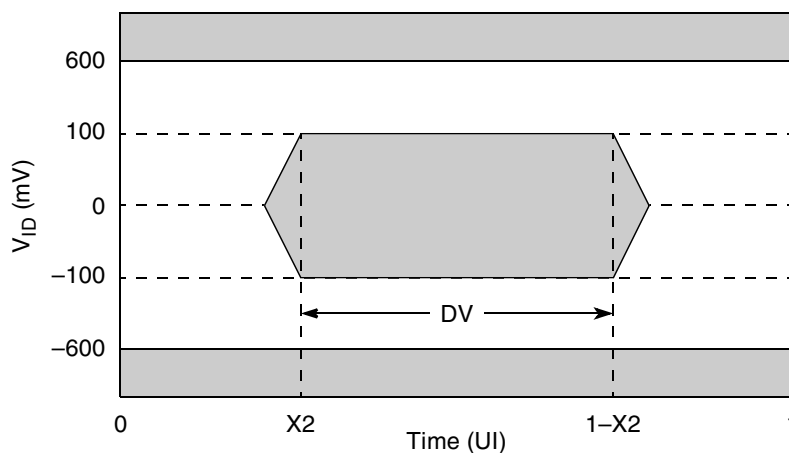
**Table 53. RapidIO Receiver AC Timing Specifications—1 Gbps Data Rate**

Characteristic	Symbol	Range		Unit	Notes
		Min	Max		
Duty cycle of the clock input	DC	47	53	%	1, 5
Data valid	DV	425	—	ps	2
Allowable static skew between any two data inputs within a 8-/9-bit group	$t_{DPAIR}$	—	300	ps	3
Allowable static skew of data inputs to associated clock	$t_{SKEW,PAIR}$	-200	200	ps	4

**Notes:**

1. Measured at  $V_{ID} = 0$  V.
2. Measured using the RapidIO receive mask shown in [Figure 46](#).
3. See [Figure 49](#).
4. See [Figure 48](#) and [Figure 49](#).
5. Guaranteed by design.

The compliance of receiver input signals RD[0:15] and RFRAME with their minimum data valid window (DV) specification shall be determined by generating an eye pattern for each of the data signals and comparing the eye pattern of each data signal with the RapidIO receive mask shown in [Figure 46](#). The value of X2 used to construct the mask shall be  $(1 - DV_{min})/2$ . The  $\pm 100$  mV minimum data valid and  $\pm 600$  mV maximum input voltage values are from the DC specification. A signal is compliant with the data valid window specification if and only if the receive mask can be positioned on the signal's eye pattern such that the eye pattern falls entirely within the unshaded portion of the mask.

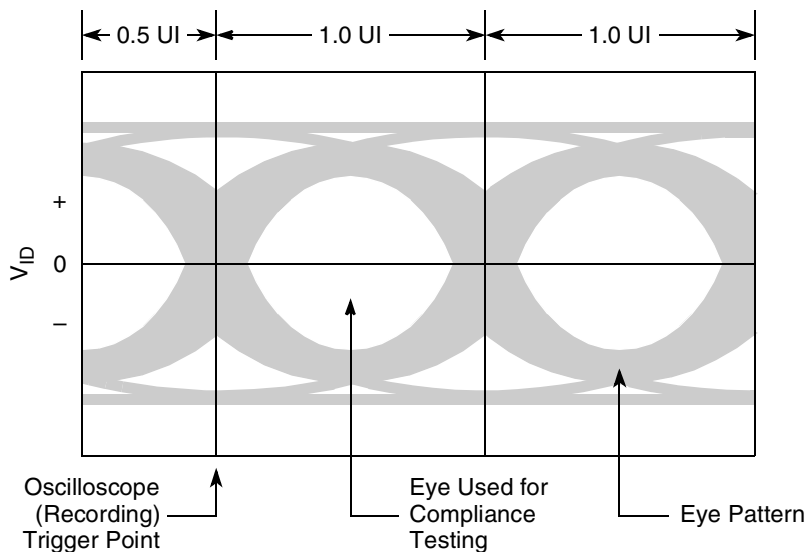

**Figure 46. RapidIO Receive Mask**

The eye pattern for a data signal is generated by making a large number of recordings of the signal and then overlaying the recordings. The number of recordings used to generate the eye shall be large enough that further increasing the number of recordings used does not cause the resulting eye pattern to change from one that complies with the RapidIO receive mask to one that does not. Each data signal in the interface shall be carrying random or pseudo-random data when the recordings are made. If pseudo-random data is used, the length of the pseudo-random sequence (repeat length) shall be long

enough that increasing the length of the sequence does not cause the resulting eye pattern to change from one that complies with the RapidIO receive mask to one that does not comply with the mask. The data carried by any given data signal in the interface may not be correlated with the data carried by any other data signal in the interface. The zero-crossings of the clock associated with a data signal shall be used as the timing reference for aligning the multiple recordings of the data signal when the recordings are overlaid.

While the method used to make the recordings and overlay them to form the eye pattern is not specified, the method used shall be demonstrably equivalent to the following method. The signal under test is repeatedly recorded with a digital oscilloscope in infinite persistence mode. Each recording is triggered by a zero-crossing of the clock associated with the data signal under test. Roughly half of the recordings are triggered by positive-going clock zero-crossings and roughly half are triggered by negative-going clock zero-crossings. Each recording is at least 1.9 UI in length (to ensure that at least one complete eye is formed) and begins 0.5 UI before the trigger point (0.5 UI before the associated clock zero-crossing). Depending on the length of the individual recordings used to generate the eye pattern, one or more complete eyes will be formed. Regardless of the number of eyes, the eye whose center is immediately to the right of the trigger point is the eye used for compliance testing.

An example of an eye pattern generated using the above method with recordings 3 UI in length is shown in Figure 47. In this example, there is no skew between the signal under test and the associated clock used to trigger the recordings. If skew was present, the eye pattern would be shifted to the left or right relative to the oscilloscope trigger point.



**Figure 47. Example Receiver Input Eye Pattern**

Figure 48 shows the definitions of the data to clock static skew parameter  $t_{\text{SKEW,PAIR}}$  and the data valid window parameter DV. The data and frame bits are those that are associated with the clock. The figure applies for all zero-crossings of the clock. All of the signals are differential signals.  $V_D$  represents  $V_{OD}$  for the transmitter and  $V_{ID}$  for the receiver. The center of the eye is defined as the midpoint of the region in which the magnitude of the signal voltage is greater than or equal to the minimum DV voltage.

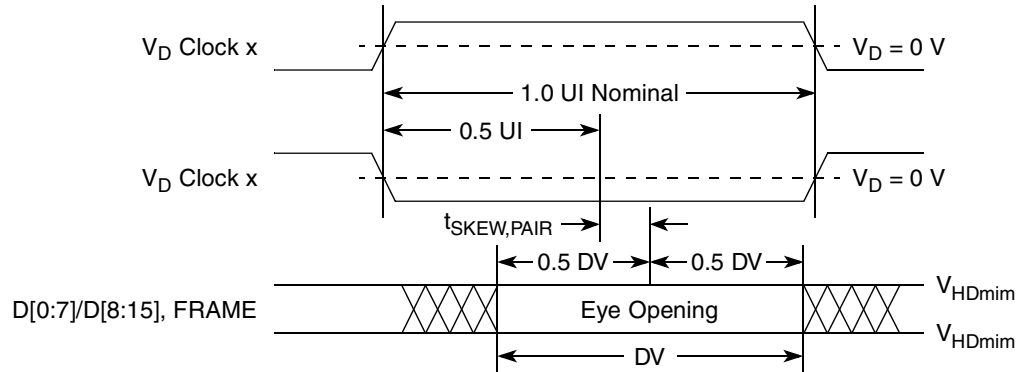


Figure 48. Data to Clock Skew

Figure 49 shows the definition of the data to data static skew parameter  $t_{\text{DPAIR}}$  and how the skew parameters are applied.

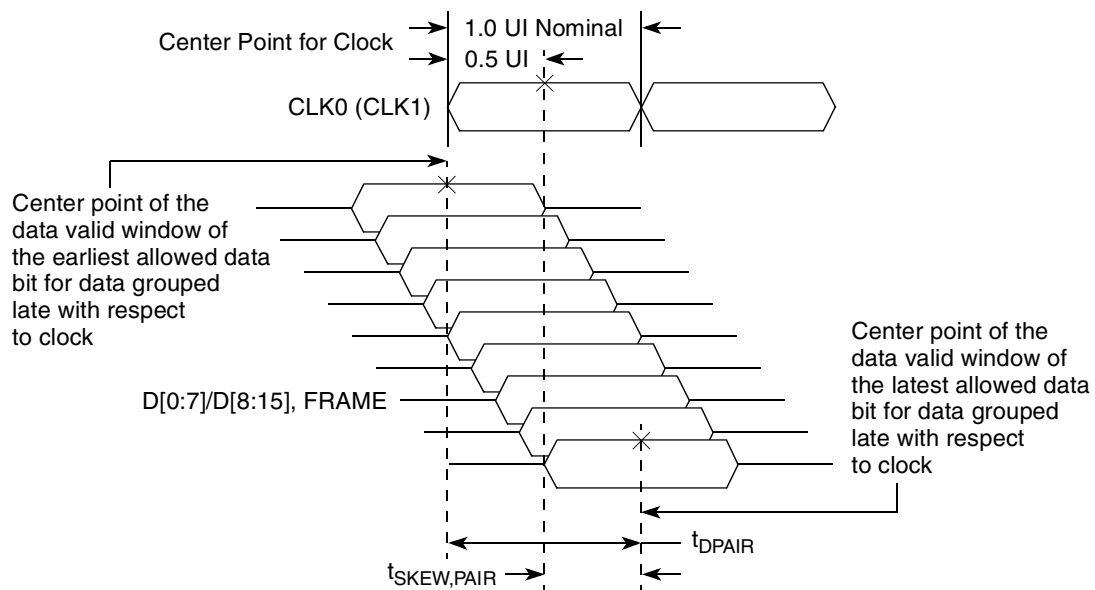


Figure 49. Static Skew Diagram

## 14 Package and Pin Listings

This section details package parameters, pin assignments, and dimensions.

### 14.1 Package Parameters for the MPC8560 FC-PBGA

The package parameters are as provided in the following list. The package type is 29 mm × 29 mm, 783 flip chip plastic ball grid array (FC-PBGA).

Die size	12.2 mm × 9.5 mm
Package outline	29 mm × 29 mm
Interconnects	783
Pitch	1 mm
Minimum module height	3.07 mm
Maximum module height	3.75 mm
Solder Balls	62 Sn/36 Pb/2 Ag
Ball diameter (typical)	0.5 mm

## 14.2 Mechanical Dimensions of the MPC8560 FC-PBGA

Figure 50 the mechanical dimensions and bottom surface nomenclature of the MPC8560, 783 FC-PBGA package.

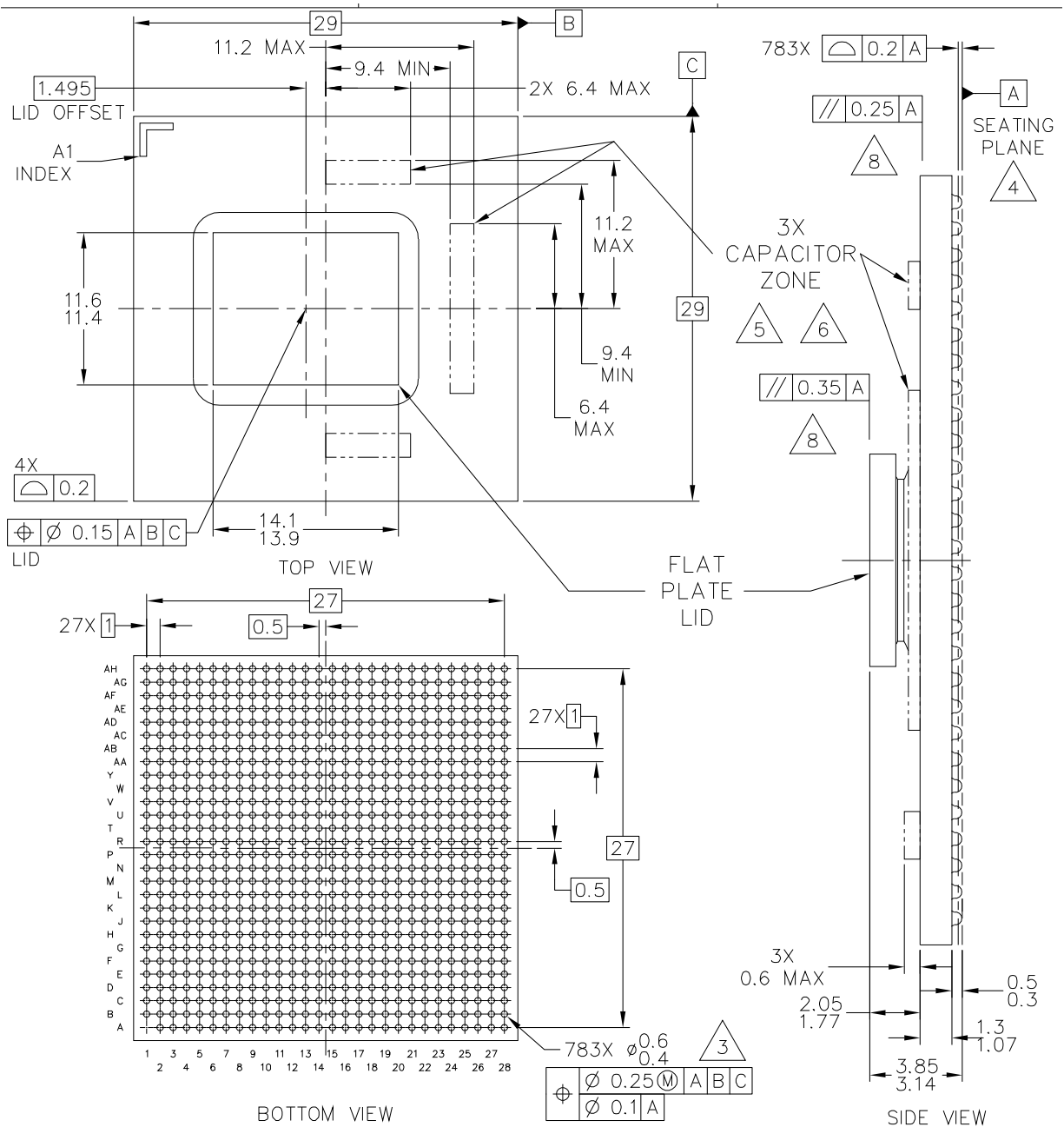


Figure 50. Mechanical Dimensions and Bottom Surface Nomenclature of the MPC8560 FC-PBGA

### NOTES

1. All dimensions are in millimeters.
2. Dimensions and tolerances per ASME Y14.5M-1994.

3. Maximum solder ball diameter measured parallel to datum A.
4. Datum A, the seating plane, is defined by the spherical crowns of the solder balls.
5. Capacitors may not be present on all devices.
6. Caution must be taken not to short capacitors or exposed metal capacitor pads on package top.
7. The socket lid must always be oriented to A1.

## 14.3 Pinout Listings

Table 54 provides the pin-out listing for the MPC8560, 783 FC-PBGA package.

**Table 54. MPC8560 Pinout Listing**

Signal	Package Pin Number	Pin Type	Power Supply	Notes
<b>PCI/PCI-X</b>				
PCI_AD[63:0]	AA14, AB14, AC14, AD14, AE14, AF14, AG14, AH14, V15, W15, Y15, AA15, AB15, AC15, AD15, AG15, AH15, V16, W16, AB16, AC16, AD16, AE16, AF16, V17, W17, Y17, AA17, AB17, AE17, AF17, AF18, AH6, AD7, AE7, AH7, AB8, AC8, AF8, AG8, AD9, AE9, AF9, AG9, AH9, W10, Y10, AA10, AE11, AF11, AG11, AH11, V12, W12, Y12, AB12, AD12, AE12, AG12, AH12, V13, Y13, AB13, AC13	I/O	OV <sub>DD</sub>	17
PCI_C_B $\bar{E}$ [7:0]	AG13, AH13, V14, W14, AH8, AB10, AD11, AC12	I/O	OV <sub>DD</sub>	17
PCI_PAR	AA11	I/O	OV <sub>DD</sub>	—
PCI_PAR64	Y14	I/O	OV <sub>DD</sub>	—
$\bar{P}CI\_FRAME$	AC10	I/O	OV <sub>DD</sub>	2
$\bar{P}CI\_TRDY$	AG10	I/O	OV <sub>DD</sub>	2
$\bar{P}CI\_IRDY$	AD10	I/O	OV <sub>DD</sub>	2
$\bar{P}CI\_STOP$	V11	I/O	OV <sub>DD</sub>	2
$\bar{P}CI\_DEVSEL$	AH10	I/O	OV <sub>DD</sub>	2
PCI_IDSEL	AA9	I	OV <sub>DD</sub>	—
$\bar{P}CI\_REQ64$	AE13	I/O	OV <sub>DD</sub>	5, 10
$\bar{P}CI\_ACK64$	AD13	I/O	OV <sub>DD</sub>	2
$\bar{P}CI\_PERR$	W11	I/O	OV <sub>DD</sub>	2
$\bar{P}CI\_SERR$	Y11	I/O	OV <sub>DD</sub>	2, 4
$\bar{P}CI\_REQ0$	AF5	I/O	OV <sub>DD</sub>	—
$\bar{P}CI\_REQ[1:4]$	AF3, AE4, AG4, AE5	I	OV <sub>DD</sub>	—
$\bar{P}CI\_GNT[0]$	AE6	I/O	OV <sub>DD</sub>	—
$\bar{P}CI\_GNT[1:4]$	AG5, AH5, AF6, AG6	O	OV <sub>DD</sub>	5, 9



Table 54. MPC8560 Pinout Listing (continued)

Signal	Package Pin Number	Pin Type	Power Supply	Notes
<b>DDR SDRAM Memory Interface</b>				
MDQ[0:63]	M26, L27, L22, K24, M24, M23, K27, K26, K22, J28, F26, E27, J26, J23, H26, G26, C26, E25, C24, E23, D26, C25, A24, D23, B23, F22, J21, G21, G22, D22, H21, E21, N18, J18, D18, L17, M18, L18, C18, A18, K17, K16, C16, B16, G17, L16, A16, L15, G15, E15, C14, K13, C15, D15, E14, D14, D13, E13, D12, A11, F13, H13, A13, B12	I/O	GV <sub>DD</sub>	—
MECC[0:7]	N20, M20, L19, E19, C21, A21, G19, A19	I/O	GV <sub>DD</sub>	—
MDM[0:8]	L24, H28, F24, L21, E18, E16, G14, B13, M19	O	GV <sub>DD</sub>	—
MDQS[0:8]	L26, J25, D25, A22, H18, F16, F14, C13, C20	I/O	GV <sub>DD</sub>	—
MBA[0:1]	B18, B19	O	GV <sub>DD</sub>	—
MA[0:14]	N19, B21, F21, K21, M21, C23, A23, B24, H23, G24, K19, B25, D27, J14, J13	O	GV <sub>DD</sub>	—
$\overline{\text{MWE}}$	D17	O	GV <sub>DD</sub>	—
$\overline{\text{MRAS}}$	F17	O	GV <sub>DD</sub>	—
$\overline{\text{MCAS}}$	J16	O	GV <sub>DD</sub>	—
$\overline{\text{MCS}}[0:3]$	H16, G16, J15, H15	O	GV <sub>DD</sub>	—
MCKE[0:1]	E26, E28	O	GV <sub>DD</sub>	11
MCK[0:5]	J20, H25, A15, D20, F28, K14	O	GV <sub>DD</sub>	—
$\overline{\text{MCK}}[0:5]$	F20, G27, B15, E20, F27, L14	O	GV <sub>DD</sub>	—
MSYNC_IN	M28	I	GV <sub>DD</sub>	—
MSYNC_OUT	N28	O	GV <sub>DD</sub>	—
<b>Local Bus Controller Interface</b>				
LA[27]	U18	O	OV <sub>DD</sub>	5, 9
LA[28:31]	T18, T19, T20, T21	O	OV <sub>DD</sub>	7, 9
LAD[0:31]	AD26, AD27, AD28, AC26, AC27, AC28, AA22, AA23, AA26, Y21, Y22, Y26, W20, W22, W26, V19, T22, R24, R23, R22, R21, R18, P26, P25, P20, P19, P18, N22, N23, N24, N25, N26	I/O	OV <sub>DD</sub>	—
LALE	V21	O	OV <sub>DD</sub>	8, 9
LBCTL	V20	O	OV <sub>DD</sub>	9
LCKE	U23	O	OV <sub>DD</sub>	—
LCLK[0:2]	U27, U28, V18	O	OV <sub>DD</sub>	—
$\overline{\text{LCS}}[0:4]$	Y27, Y28, W27, W28, R27	O	OV <sub>DD</sub>	18
$\overline{\text{LCS5/DMA\_DREQ2}}$	R28	I/O	OV <sub>DD</sub>	1

Table 54. MPC8560 Pinout Listing (continued)

Signal	Package Pin Number	Pin Type	Power Supply	Notes
$\overline{\text{LCS6/DMA\_DACK2}}$	P27	O	$\text{OV}_{\text{DD}}$	1
$\overline{\text{LCS7/DMA\_DDONE2}}$	P28	O	$\text{OV}_{\text{DD}}$	1
LDP[0:3]	AA27, AA28, T26, P21	I/O	$\text{OV}_{\text{DD}}$	
LGPL0/LSDA10	U19	O	$\text{OV}_{\text{DD}}$	5, 9
LGPL1/ $\overline{\text{LSDWE}}$	U22	O	$\text{OV}_{\text{DD}}$	5, 9
LGPL2/ $\overline{\text{LOE/LSDRAS}}$	V28	O	$\text{OV}_{\text{DD}}$	8, 9
LGPL3/ $\overline{\text{LSDCAS}}$	V27	O	$\text{OV}_{\text{DD}}$	5, 9
LGPL4/ $\overline{\text{LGT\AA/LUPWAIT/LPBSE}}$	V23	I/O	$\text{OV}_{\text{DD}}$	22
LGPL5	V22	O	$\text{OV}_{\text{DD}}$	5, 9
LSYNC_IN	T27	I	$\text{OV}_{\text{DD}}$	—
LSYNC_OUT	T28	O	$\text{OV}_{\text{DD}}$	—
$\overline{\text{LWE}}[0:1]/\overline{\text{LSDDQM}}[0:1]/\overline{\text{LBS}}[0:1]$	AB28, AB27	O	$\text{OV}_{\text{DD}}$	1, 5, 9
$\overline{\text{LWE}}[2:3]/\overline{\text{LSDDQM}}[2:3]/\overline{\text{LBS}}[2:3]$	T23, P24	O	$\text{OV}_{\text{DD}}$	1, 5, 9
<b>DMA</b>				
DMA_DREQ[0:1]	H5, G4	I	$\text{OV}_{\text{DD}}$	—
DMA_DACK[0:1]	H6, G5	O	$\text{OV}_{\text{DD}}$	—
DMA_DDONE[0:1]	H7, G6	O	$\text{OV}_{\text{DD}}$	—
<b>Programmable Interrupt Controller</b>				
$\overline{\text{MCP}}$	AG17	I	$\text{OV}_{\text{DD}}$	—
$\overline{\text{UDE}}$	AG16	I	$\text{OV}_{\text{DD}}$	—
IRQ[0:7]	AA18, Y18, AB18, AG24, AA21, Y19, AA19, AG25	I	$\text{OV}_{\text{DD}}$	—
IRQ8	AB20	I	$\text{OV}_{\text{DD}}$	9
IRQ9/DMA_DREQ3	Y20	I	$\text{OV}_{\text{DD}}$	1
IRQ10/DMA_DACK3	AF26	I/O	$\text{OV}_{\text{DD}}$	1
IRQ11/DMA_DDONE3	AH24	I/O	$\text{OV}_{\text{DD}}$	1
$\overline{\text{IRQ\_OUT}}$	AB21	O	$\text{OV}_{\text{DD}}$	2, 4
<b>Ethernet Management Interface</b>				
EC_MDC	F1	O	$\text{OV}_{\text{DD}}$	5, 9
EC_MDIO	E1	I/O	$\text{OV}_{\text{DD}}$	—

Table 54. MPC8560 Pinout Listing (continued)

Signal	Package Pin Number	Pin Type	Power Supply	Notes
<b>Gigabit Reference Clock</b>				
EC_GTX_CLK125	E2	I	LV <sub>DD</sub>	—
<b>Three-Speed Ethernet Controller (Gigabit Ethernet 1)</b>				
TSEC1_TXD[7:4]	A6, F7, D7, C7	O	LV <sub>DD</sub>	5, 9
TSEC1_TXD[3:0]	B7, A7, G8, E8	O	LV <sub>DD</sub>	9, 19
TSEC1_TX_EN	C8	O	LV <sub>DD</sub>	11
TSEC1_TX_ER	B8	O	LV <sub>DD</sub>	—
TSEC1_TX_CLK	C6	I	LV <sub>DD</sub>	—
TSEC1_GTX_CLK	B6	O	LV <sub>DD</sub>	18
TSEC1_CRS	C3	I	LV <sub>DD</sub>	—
TSEC1_COL	G7	I	LV <sub>DD</sub>	—
TSEC1_RXD[7:0]	D4, B4, D3, D5, B5, A5, F6, E6	I	LV <sub>DD</sub>	—
TSEC1_RX_DV	D2	I	LV <sub>DD</sub>	—
TSEC1_RX_ER	E5	I	LV <sub>DD</sub>	—
TSEC1_RX_CLK	D6	I	LV <sub>DD</sub>	—
<b>Three-Speed Ethernet Controller (Gigabit Ethernet 2)</b>				
TSEC2_TXD[7:2]	B10, A10, J10, K11, J11, H11	O	LV <sub>DD</sub>	5, 9
TSEC2_TXD[1:0]	G11, E11	O	LV <sub>DD</sub>	—
TSEC2_TX_EN	B11	O	LV <sub>DD</sub>	11
TSEC2_TX_ER	D11	O	LV <sub>DD</sub>	—
TSEC2_TX_CLK	D10	I	LV <sub>DD</sub>	—
TSEC2_GTX_CLK	C10	O	LV <sub>DD</sub>	18
TSEC2_CRS	D9	I	LV <sub>DD</sub>	—
TSEC2_COL	F8	I	LV <sub>DD</sub>	—
TSEC2_RXD[7:0]	F9, E9, C9, B9, A9, H9, G10, F10	I	LV <sub>DD</sub>	—
TSEC2_RX_DV	H8	I	LV <sub>DD</sub>	—
TSEC2_RX_ER	A8	I	LV <sub>DD</sub>	—
TSEC2_RX_CLK	E10	I	LV <sub>DD</sub>	—
<b>RapidIO Interface</b>				
RIO_RCLK	Y25	I	OV <sub>DD</sub>	—
$\overline{\text{RIO\_RCLK}}$	Y24	I	OV <sub>DD</sub>	—

Table 54. MPC8560 Pinout Listing (continued)

Signal	Package Pin Number	Pin Type	Power Supply	Notes
RIO_RD[0:7]	T25, U25, V25, W25, AA25, AB25, AC25, AD25	I	OV <sub>DD</sub>	—
$\overline{\text{RIO\_RD}}$ [0:7]	T24, U24, V24, W24, AA24, AB24, AC24, AD24	I	OV <sub>DD</sub>	—
RIO_RFRAME	AE27	I	OV <sub>DD</sub>	—
$\overline{\text{RIO\_RFRAME}}$	AE26	I	OV <sub>DD</sub>	—
RIO_TCLK	AC20	O	OV <sub>DD</sub>	11
$\overline{\text{RIO\_TCLK}}$	AE21	O	OV <sub>DD</sub>	11
RIO_TD[0:7]	AE18, AC18, AD19, AE20, AD21, AE22, AC22, AD23	O	OV <sub>DD</sub>	—
$\overline{\text{RIO\_TD}}$ [0:7]	AD18, AE19, AC19, AD20, AC21, AD22, AE23, AC23	O	OV <sub>DD</sub>	—
RIO_TFRAME	AE24	O	OV <sub>DD</sub>	—
$\overline{\text{RIO\_TFRAME}}$	AE25	O	OV <sub>DD</sub>	—
RIO_TX_CLK_IN	AF24	I	OV <sub>DD</sub>	—
$\overline{\text{RIO\_TX\_CLK\_IN}}$	AF25	I	OV <sub>DD</sub>	—
<b>I<sup>2</sup>C interface</b>				
IIC_SDA	AH22	I/O	OV <sub>DD</sub>	4, 20
IIC_SCL	AH23	I/O	OV <sub>DD</sub>	4, 20
<b>System Control</b>				
$\overline{\text{HRESET}}$	AH16	I	OV <sub>DD</sub>	—
$\overline{\text{HRESET\_REQ}}$	AG20	O	OV <sub>DD</sub>	—
$\overline{\text{SRESET}}$	AF20	I	OV <sub>DD</sub>	—
$\overline{\text{CKSTP\_IN}}$	M11	I	OV <sub>DD</sub>	—
$\overline{\text{CKSTP\_OUT}}$	G1	O	OV <sub>DD</sub>	2, 4
<b>Debug</b>				
TRIG_IN	N12	I	OV <sub>DD</sub>	—
TRIG_OUT/READY	G2	O	OV <sub>DD</sub>	6, 9, 19
MSRCID[0:1]	J9, G3	O	OV <sub>DD</sub>	5, 6, 9
MSRCID[2:4]	F3, F5, F2	O	OV <sub>DD</sub>	6
MDVAL	F4	O	OV <sub>DD</sub>	6
<b>Clock</b>				
SYSCLK	AH21	I	OV <sub>DD</sub>	—
RTC	AB23	I	OV <sub>DD</sub>	—
CLK_OUT	AF22	O	OV <sub>DD</sub>	11

Table 54. MPC8560 Pinout Listing (continued)

Signal	Package Pin Number	Pin Type	Power Supply	Notes
<b>JTAG</b>				
TCK	AF21	I	OV <sub>DD</sub>	—
TDI	AG21	I	OV <sub>DD</sub>	12
TDO	AF19	O	OV <sub>DD</sub>	11
TMS	AF23	I	OV <sub>DD</sub>	12
$\overline{\text{TRST}}$	AG23	I	OV <sub>DD</sub>	12
<b>DFT</b>				
LSSD_MODE	AG19	I	OV <sub>DD</sub>	21
L1_TSTCLK	AB22	I	OV <sub>DD</sub>	21
L2_TSTCLK	AG22	I	OV <sub>DD</sub>	21
$\overline{\text{TEST\_SEL}}$	AH20	I	OV <sub>DD</sub>	3
<b>Thermal Management</b>				
THERM0	AG2	I	—	14
THERM1	AH3	I	—	14
<b>Power Management</b>				
ASLEEP	AG18	I/O		9, 19
<b>Power and Ground Signals</b>				
AV <sub>DD1</sub>	AH19	Power for e500 PLL (1.2 V)	AV <sub>DD1</sub>	—
AV <sub>DD2</sub>	AH18	Power for CCB PLL (1.2 V)	AV <sub>DD2</sub>	—
AV <sub>DD3</sub>	AH17	Power for CPM PLL (1.2 V)	AV <sub>DD3</sub>	—
GND	A12, A17, B3, B14, B20, B26, B27, C2, C4, C11, C17, C19, C22, C27, D8, E3, E12, E24, F11, F18, F23, G9, G12, G25, H4, H12, H14, H17, H20, H22, H27, J19, J24, K5, K9, K18, K23, K28, L6, L20, L25, M4, M12, M14, M16, M22, M27, N2, N13, N15, N17, P12, P14, P16, P23, R13, R15, R17, R20, R26, T3, T8, T10, T12, T14, T16, U6, U13, U15, U16, U17, U21, V7, V10, V26, W5, W18, W23, Y8, Y16, AA6, AA13, AB4, AB11, AB19, AC6, AC9, AD3, AD8, AD17, AF2, AF4, AF10, AF13, AF15, AF27, AG3, AG7, AG26	—	—	—
GV <sub>DD</sub>	A14, A20, A25, A26, A27, A28, B17, B22, B28, C12, C28, D16, D19, D21, D24, D28, E17, E22, F12, F15, F19, F25, G13, G18, G20, G23, G28, H19, H24, J12, J17, J22, J27, K15, K20, K25, L13, L23, L28, M25, N21	Power for DDR DRAM I/O Voltage (2.5 V)	GV <sub>DD</sub>	—

Table 54. MPC8560 Pinout Listing (continued)

Signal	Package Pin Number	Pin Type	Power Supply	Notes
LV <sub>DD</sub>	A4, C5, E7, H10	Reference Voltage; Three-Speed Ethernet I/O (2.5 V, 3.3 V)	LV <sub>DD</sub>	—
MV <sub>REF</sub>	N27	Reference Voltage Signal; DDR	MV <sub>REF</sub>	—
No Connects	AH26, AH27, AH28, AG28, AF28, AE28, AH1, AG1, AH2, B1, B2, A2, A3, AH25	—	—	16
OV <sub>DD</sub>	D1, E4, H3, K4, K10, L7, M5, N3, P22, R19, R25, T2, T7, U5, U20, U26, V8, W4, W13, W19, W21, Y7, Y23, AA5, AA12, AA16, AA20, AB7, AB9, AB26, AC5, AC11, AC17, AD4, AE1, AE8, AE10, AE15, AF7, AF12, AG27, AH4	PCI/PCI-X, RapidIO, 10/100 Ethernet, and other Standard (3.3 V)	OV <sub>DD</sub>	—
RESERVED	C1, T11, U11, AF1	—	—	15
SENSEVDD	L12	Power for Core (1.2 V)	V <sub>DD</sub>	13
SENSEVSS	K12	—	—	13
V <sub>DD</sub>	M13, M15, M17, N14, N16, P13, P15, P17, R12, R14, R16, T13, T15, T17, U12, U14	Power for Core (1.2 V)	V <sub>DD</sub>	—
<b>CPM</b>				
PA[0:31]	H1, H2, J1, J2, J3, J4, J5, J6, J7, J8, K8, K7, K6, K3, K2, K1, L1, L2, L3, L4, L5, L8, L9, L10, L11, M10, M9, M8, M7, M6, M3, M2	I/O	OV <sub>DD</sub>	—
PB[4:31]	M1, N1, N4, N5, N6, N7, N8, N9, N10, N11, P11, P10, P9, P8, P7, P6, P5, P4, P3, P2, P1, R1, R2, R3, R4, R5, R6, R7	I/O	OV <sub>DD</sub>	—
PC[0:31]	R8, R9, R10, R11, T9, T6, T5, T4, T1, U1, U2, U3, U4, U7, U8, U9, U10, V9, V6, V5, V4, V3, V2, V1, W1, W2, W3, W6, W7, W8, W9, Y9	I/O	OV <sub>DD</sub>	—

**Table 54. MPC8560 Pinout Listing (continued)**

Signal	Package Pin Number	Pin Type	Power Supply	Notes
PD[4:31]	Y1, Y2, Y3, Y4, Y5, Y6, AA8, AA7, AA4, AA3, AA2, AA1, AB1, AB2, AB3, AB5, AB6, AC7, AC4, AC3, AC2, AC1, AD1, AD2, AD5, AD6, AE3, AE2	I/O	OV <sub>DD</sub>	—

**Notes:**

1. All multiplexed signals are listed only once and do not re-occur. For example, LCS5/DMA\_REQ2 is listed only once in the Local Bus Controller Interface section, and is not mentioned in the DMA section even though the pin also functions as DMA\_REQ2.
2. Recommend a weak pull-up resistor (2–10 kΩ) be placed on this pin to OV<sub>DD</sub>.
3. This pin must always be pulled up to OV<sub>DD</sub>.
4. This pin is an open drain signal.
5. This pin is a reset configuration pin. It has a weak internal pull-up P-FET which is enabled only when the MPC8560 is in the reset state. This pull-up is designed such that it can be overpowered by an external 4.7-kΩ pull-down resistor. If an external device connected to this pin might pull it down during reset, then a pull-up or active driver is needed if the signal is intended to be high during reset.
6. Treat these pins as no connects (NC) unless using debug address functionality.
7. The value of LA[28:31] during reset sets the CCB clock to SYSCLK PLL ratio. These pins require 4.7-kΩ pull-up or pull-down resistors. See [Section 15.2, “Platform/System PLL Ratio.”](#)
8. The value of LALE and LGPL2 at reset set the e500 core clock to CCB Clock PLL ratio. These pins require 4.7-kΩ pull-up or pull-down resistors. See the [Section 15.3, “e500 Core PLL Ratio.”](#)
9. Functionally, this pin is an output, but structurally it is an I/O because it either samples configuration input during reset or because it has other manufacturing test functions. This pin will therefore be described as an I/O for boundary scan.
10. This pin functionally requires a pull-up resistor, but during reset it is a configuration input that controls 32- vs. 64-bit PCI operation. Therefore, it must be actively driven low during reset by reset logic if the device is to be configured to be a 64-bit PCI device. Refer to the *PCI Specification*.
11. This output is actively driven during reset rather than being three-stated during reset.
12. These JTAG pins have weak internal pull-up P-FETs that are always enabled.
13. These pins are connected to the V<sub>DD</sub>/GND planes internally and may be used by the core power supply to improve tracking and regulation.
14. Internal thermally sensitive resistor.
15. No connections should be made to these pins.
16. These pins are not connected for any functional use.
17. PCI specifications recommend that a weak pull-up resistor (2–10 kΩ) be placed on the higher order pins to OV<sub>DD</sub> when using 64-bit buffer mode (pins PCI\_AD[63:32] and PCI\_C\_BE[7:4]).
18. Note that these signals are POR configurations for Rev. 1.x and notes 5 and 9 apply to these signals in Rev. 1.x but not in later revisions.
19. If this pin is connected to a device that pulls down during reset, an external pull-up is required to drive this pin to a logic –1 state during reset.
20. Recommend a pull-up resistor (~1 KΩ) be placed on this pin to OV<sub>DD</sub>.
21. These are test signals for factory use only and must be pulled up (100 Ω - 1 kΩ) to OV<sub>DD</sub> for normal machine operation.
22. If this signal is used as both an input and an output, a weak pull-up (~10 kΩ) is required on this pin.

# 15 Clocking

This section describes the PLL configuration of the MPC8560. Note that the platform clock is identical to the CCB clock.

## 15.1 Clock Ranges

Table 55 provides the clocking specifications for the processor core and Table 56 provides the clocking specifications for the memory bus.

**Table 55. Processor Core Clocking Specifications**

Characteristic	Maximum Processor Core Frequency						Unit	Notes
	667 MHz		833 MHz		1 GHz			
	Min	Max	Min	Max	Min	Max		
e500 core processor frequency	400	667	400	833	400	1000	MHz	1, 2, 3

**Notes:**

- Caution:** The CCB to SYSCLK ratio and e500 core to CCB ratio settings must be chosen such that the resulting SYSCLK frequency, e500 (core) frequency, and CCB frequency do not exceed their respective maximum or minimum operating frequencies. Refer to [Section 15.2, "Platform/System PLL Ratio,"](#) and [Section 15.3, "e500 Core PLL Ratio,"](#) for ratio settings.
- The minimum e500 core frequency is based on the minimum platform frequency of 200 MHz.
- The 1.0 GHz core frequency is based on a 1.3 V VDD supply voltage.

**Table 56. Memory Bus Clocking Specifications**

Characteristic	Maximum Processor Core Frequency						Unit	Notes
	667 MHz		833 MHz		1 GHz			
	Min	Max	Min	Max	Min	Max		
Memory bus frequency	100	166	100	166	100	166	MHz	1, 2, 3

**Notes:**

- Caution:** The CCB to SYSCLK ratio and e500 core to CCB ratio settings must be chosen such that the resulting SYSCLK frequency, e500 (core) frequency, and CCB frequency do not exceed their respective maximum or minimum operating frequencies. Refer to [Section 15.2, "Platform/System PLL Ratio,"](#) and [Section 15.3, "e500 Core PLL Ratio,"](#) for ratio settings.
- The memory bus speed is half of the DDR data rate, hence, half of the platform clock frequency.
- The 1.0 GHz core frequency is based on a 1.3 V VDD supply voltage.



## 15.2 Platform/System PLL Ratio

The platform clock is the clock that drives the L2 cache, the DDR SDRAM data rate, and the e500 core complex bus (CCB), and is also called the CCB clock. The values are determined by the binary value on LA[28:31] at power up, as shown in [Table 57](#).

There is no default for this PLL ratio; these signals must be pulled to the desired values.

**Table 57. CCB Clock Ratio**

Binary Value of LA[28:31] Signals	Ratio Description
0000	16:1 ratio CCB clock: SYSCLK (PCI bus)
0001	Reserved
0010	2:1 ratio CCB clock: SYSCLK (PCI bus)
0011	3:1 ratio CCB clock: SYSCLK (PCI bus)
0100	4:1 ratio CCB clock: SYSCLK (PCI bus)
0101	5:1 ratio CCB clock: SYSCLK (PCI bus)
0110	6:1 ratio CCB clock: SYSCLK (PCI bus)
0111	Reserved
1000	8:1 ratio CCB clock: SYSCLK (PCI bus)
1001	9:1 ratio CCB clock: SYSCLK (PCI bus)
1010	10:1 ratio CCB clock: SYSCLK (PCI bus)
1011	Reserved
1100	12:1 ratio CCB clock: SYSCLK (PCI bus)
1101	Reserved
1110	Reserved
1111	Reserved

## 15.3 e500 Core PLL Ratio

[Table 58](#) describes the clock ratio between the e500 core complex bus (CCB) and the e500 core clock. This ratio is determined by the binary value of LALE and LGPL2 at power up, as shown in [Table 58](#).

**Table 58. e500 Core to CCB Ratio**

Binary Value of LALE, LGPL2 Signals	Ratio Description
00	2:1 e500 core:CCB
01	5:2 e500 core:CCB
10	3:1 e500 core:CCB
11	7:2 e500 core:CCB

## 15.4 Frequency Options

Table 59 shows the expected frequency values for the platform frequency when using a CCB to SYSCLK ratio in comparison to the memory bus speed.

**Table 59. Frequency Options with Respect to Memory Bus Speeds**

CCB to SYSCLK Ratio	SYSCLK (MHz)								
	16.67	25	33.33	41.63	66.67	83	100	111	133.33
	Platform/CCB Frequency (MHz)								
2							200	222	267
3					200	250	300	333	
4					267	333			
5				208	333				
6			200	250					
8		200	267	333					
9		225	300						
10		250	333						
12	200	300							
16	267								

## 16 Thermal

This section describes the thermal specifications of the MPC8560.

### 16.1 Thermal Characteristics

Table 60 provides the package thermal characteristics for the MPC8560.

**Table 60. Package Thermal Characteristics**

Characteristic	Symbol	Value	Unit	Notes
Junction-to-ambient Natural Convection on four layer board (2s2p)	$R_{\theta JMA}$	16	°C/W	1, 2
Junction-to-ambient (@100 ft/min or 0.5 m/s) on four layer board (2s2p)	$R_{\theta JMA}$	14	°C/W	1, 2
Junction-to-ambient (@200 ft/min or 1 m/s) on four layer board (2s2p)	$R_{\theta JMA}$	12	°C/W	1, 2
Junction-to-board thermal	$R_{\theta JB}$	7.5	°C/W	3

**Table 60. Package Thermal Characteristics (continued)**

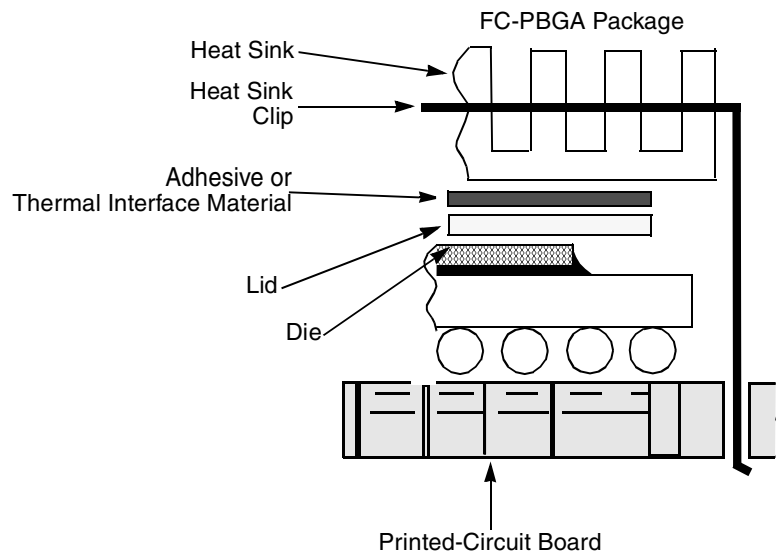
Characteristic	Symbol	Value	Unit	Notes
Junction-to-case thermal	$R_{\theta JC}$	0.8	°C/W	4

**Notes**

1. Junction temperature is a function of die size, on-chip power dissipation, package thermal resistance, mounting site (board) temperature, ambient temperature, air flow, power dissipation of other components on the board, and board thermal resistance
2. Per JEDEC JESD51-6 with the board horizontal.
3. Thermal resistance between the die and the printed-circuit board per JEDEC JESD51-8. Board temperature is measured on the top surface of the board near the package.
4. Thermal resistance between the die and the case top surface as measured by the cold plate method (MIL SPEC-883 Method 1012.1). Cold plate temperature is used for case temperature; measured value includes the thermal resistance of the interface layer.

## 16.2 Thermal Management Information

This section provides thermal management information for the flip chip plastic ball grid array (FC-PBGA) package for air-cooled applications. Proper thermal control design is primarily dependent on the system-level design—the heat sink, airflow, and thermal interface material. The recommended attachment method to the heat sink is illustrated in Figure 51. The heat sink should be attached to the printed-circuit board with the spring force centered over the die. This spring force should not exceed 10 pounds force.


**Figure 51. Package Exploded Cross-Sectional View with Several Heat Sink Options**

The system board designer can choose between several types of heat sinks to place on the MPC8560. There are several commercially-available heat sinks from the following vendors:

Aavid Thermalloy 603-224-9988  
 80 Commercial St.  
 Concord, NH 03301  
 Internet: [www.aavidthermalloy.com](http://www.aavidthermalloy.com)

## Thermal

Alpha Novatech 473 Sapena Ct. #15 Santa Clara, CA 95054 Internet: <a href="http://www.alphanovatech.com">www.alphanovatech.com</a>	408-749-7601
International Electronic Research Corporation (IERC) 413 North Moss St. Burbank, CA 91502 Internet: <a href="http://www.ctscorp.com">www.ctscorp.com</a>	818-842-7277
Millennium Electronics (MEI) Loroco Sites 671 East Brokaw Road San Jose, CA 95112 Internet: <a href="http://www.mei-millennium.com">www.mei-millennium.com</a>	408-436-8770
Tyco Electronics Chip Coolers™ P.O. Box 3668 Harrisburg, PA 17105-3668 Internet: <a href="http://www.chipcoolers.com">www.chipcoolers.com</a>	800-522-6752
Wakefield Engineering 33 Bridge St. Pelham, NH 03076 Internet: <a href="http://www.wakefield.com">www.wakefield.com</a>	603-635-5102

Ultimately, the final selection of an appropriate heat sink depends on many factors, such as thermal performance at a given air velocity, spatial volume, mass, attachment method, assembly, and cost. Several heat sinks offered by Aavid Thermalloy, Alpha Novatech, IERC, Chip Coolers, Millennium Electronics, and Wakefield Engineering offer different heat sink-to-ambient thermal resistances, that will allow the MPC8560 to function in various environments.

### 16.2.1 Recommended Thermal Model

For system thermal modeling, the MPC8560 thermal model is shown in [Figure 52](#). Five cuboids are used to represent this device. To simplify the model, the solder balls and substrate are modeled as a single block 29x29x1.47 mm with the conductivity adjusted accordingly. For modeling, the planar dimensions of the die are rounded to the nearest mm, so the die is modeled as 10x12 mm at a thickness of 0.76 mm. The bump/underfill layer is modeled as a collapsed resistance between the die and substrate assuming a conductivity of 0.6 in-plane and 1.9 W/m•K in the thickness dimension of 0.76 mm. The lid attach adhesive is also modeled as a collapsed resistance with dimensions of 10x12x0.050 mm and the conductivity of 1 W/m•K. The nickel plated copper lid is modeled as 12x14x1 mm. Note that the die and lid are not centered on the substrate; there is a 1.5 mm offset documented in the case outline drawing in [Figure 50](#).

Conductivity	Value	Unit
<b>Lid (12 × 14 × 1 mm)</b>		
$k_x$	360	W/(m × K)
$k_y$	360	
$k_z$	360	
<b>Lid Adhesive—Collapsed resistance (10 × 12 × 0.050 mm)</b>		
$k_x$	1	
$k_y$	1	
$k_z$	1	
<b>Die (10 × 12 × 0.76 mm)</b>		
<b>Bump/Underfill—Collapsed resistance (10 × 12 × 0.070 mm)</b>		
$k_x$	0.6	
$k_y$	0.6	
$k_z$	1.9	
<b>Substrate and Solder Balls (29 × 29 × 1.47 mm)</b>		
$k_x$	10.2	
$k_y$	10.2	
$k_z$	1.6	

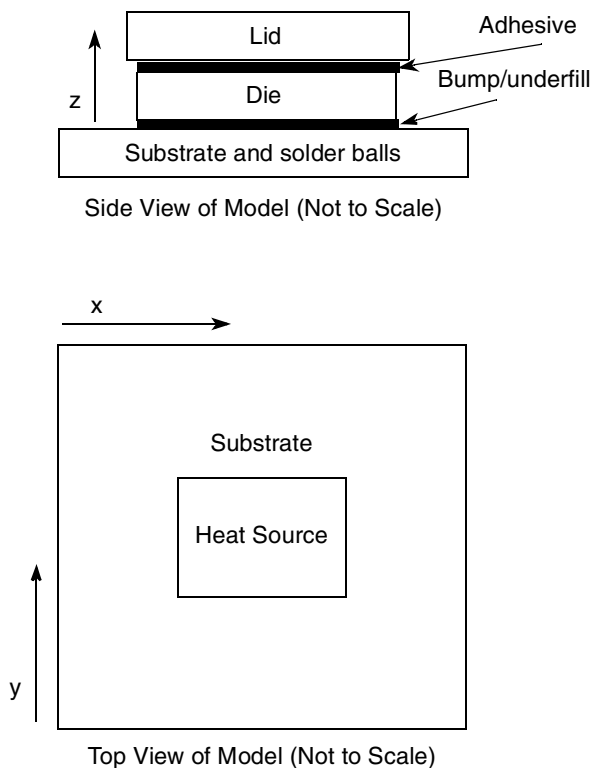


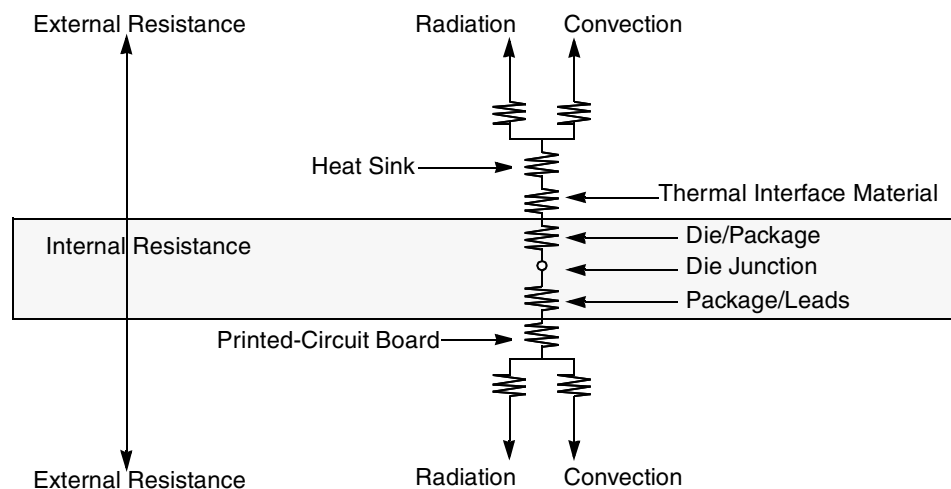
Figure 52. MPC8560 Thermal Model

## 16.2.2 Internal Package Conduction Resistance

For the packaging technology, shown in [Table 60](#), the intrinsic internal conduction thermal resistance paths are as follows:

- The die junction-to-case thermal resistance
- The die junction-to-board thermal resistance

Figure 53 depicts the primary heat transfer path for a package with an attached heat sink mounted to a printed-circuit board.



(Note the internal versus external package resistance)

**Figure 53. Package with Heat Sink Mounted to a Printed-Circuit Board**

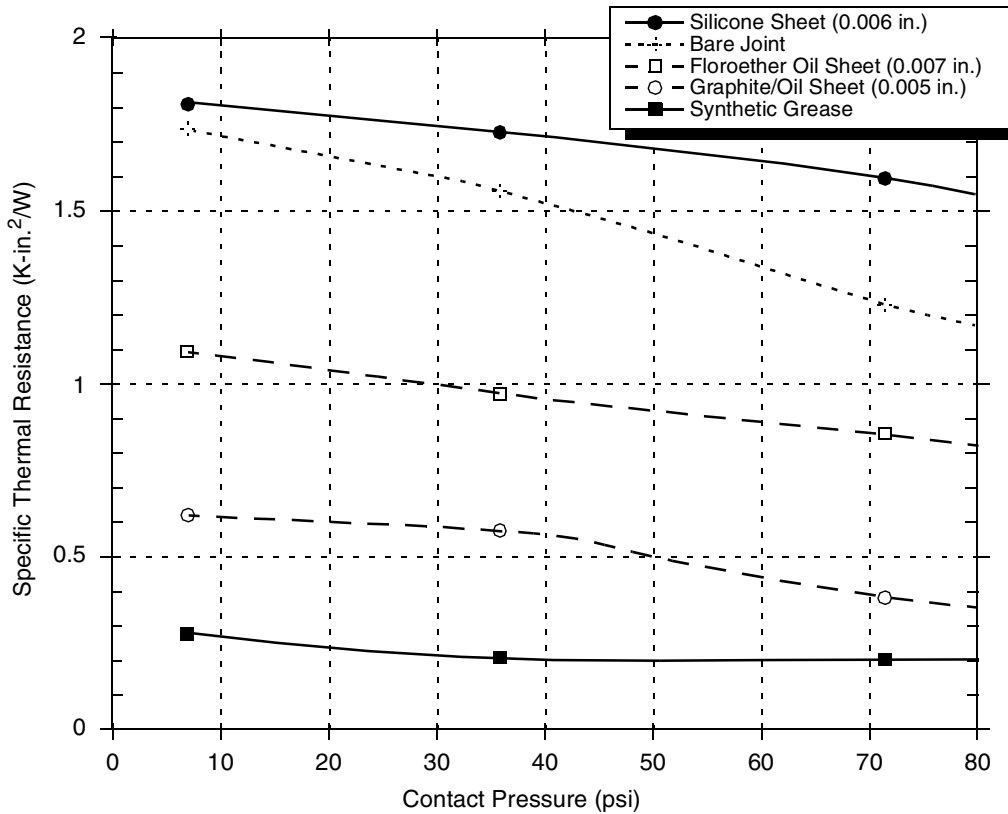
The heat sink removes most of the heat from the device. Heat generated on the active side of the chip is conducted through the silicon and through the lid, then through the heat sink attach material (or thermal interface material), and finally to the heat sink. The junction-to-case thermal resistance is low enough that the heat sink attach material and heat sink thermal resistance are the dominant terms.

### 16.2.3 Thermal Interface Materials

A thermal interface material is required at the package-to-heat sink interface to minimize the thermal contact resistance. For those applications where the heat sink is attached by spring clip mechanism, Figure 54 shows the thermal performance of three thin-sheet thermal-interface materials (silicone, graphite/oil, fluoroether oil), a bare joint, and a joint with thermal grease as a function of contact pressure. As shown, the performance of these thermal interface materials improves with increasing contact pressure. The use of thermal grease significantly reduces the interface thermal resistance. The bare joint results in a thermal resistance approximately six times greater than the thermal grease joint.

Heat sinks are attached to the package by means of a spring clip to holes in the printed-circuit board (see Figure 51). Therefore, the synthetic grease offers the best thermal performance, especially at the low interface pressure.

When removing the heat sink for re-work, it is preferable to slide the heat sink off slowly until the thermal interface material loses its grip. If the support fixture around the package prevents sliding off the heat sink, the heat sink should be slowly removed. Heating the heat sink to 40-50°C with an air gun can soften the interface material and make the removal easier. The use of an adhesive for heat sink attach is not recommended.



**Figure 54. Thermal Performance of Select Thermal Interface Materials**

The system board designer can choose between several types of thermal interface. There are several commercially-available thermal interfaces provided by the following vendors:

- |   |              |
|---|--------------|
| Chomerics, Inc.<br>77 Dragon Ct.<br>Woburn, MA 01888-4014<br>Internet: <a href="http://www.chomerics.com">www.chomerics.com</a>   | 781-935-4850 |
| Dow-Corning Corporation<br>Dow-Corning Electronic Materials<br>2200 W. Salzburg Rd.<br>Midland, MI 48686-0997<br>Internet: <a href="http://www.dowcorning.com">www.dowcorning.com</a> | 800-248-2481 |
| Shin-Etsu MicroSi, Inc.<br>10028 S. 51st St.<br>Phoenix, AZ 85044<br>Internet: <a href="http://www.microsi.com">www.microsi.com</a>   | 888-642-7674 |
| The Bergquist Company<br>18930 West 78 <sup>th</sup> St.<br>Chanhassen, MN 55317<br>Internet: <a href="http://www.bergquistcompany.com">www.bergquistcompany.com</a>                  | 800-347-4572 |

Thermagon Inc.  
 4707 Detroit Ave.  
 Cleveland, OH 44102  
 Internet: www.thermagon.com

888-246-9050

## 16.2.4 Heat Sink Selection Examples

The following section provides a heat sink selection example using one of the commercially available heat sinks.

### 16.2.4.1 Case 1

For preliminary heat sink sizing, the die-junction temperature can be expressed as follows:

$$T_J = T_I + T_R + (\theta_{JC} + \theta_{INT} + \theta_{SA}) \times P_D$$

where

- $T_J$  is the die-junction temperature
- $T_I$  is the inlet cabinet ambient temperature
- $T_R$  is the air temperature rise within the computer cabinet
- $\theta_{JC}$  is the junction-to-case thermal resistance
- $\theta_{INT}$  is the adhesive or interface material thermal resistance
- $\theta_{SA}$  is the heat sink base-to-ambient thermal resistance
- $P_D$  is the power dissipated by the device

During operation the die-junction temperatures ( $T_J$ ) should be maintained within the range specified in [Table 2](#). The temperature of air cooling the component greatly depends on the ambient inlet air temperature and the air temperature rise within the electronic cabinet. An electronic cabinet inlet-air temperature ( $T_A$ ) may range from 30° to 40°C. The air temperature rise within a cabinet ( $T_R$ ) may be in the range of 5° to 10°C. The thermal resistance of some thermal interface material ( $\theta_{INT}$ ) may be about 1°C/W. Assuming a  $T_I$  of 30°C, a  $T_R$  of 5°C, a FC-PBGA package  $\theta_{JC} = 0.8$ , and a power consumption ( $P_D$ ) of 7.0 W, the following expression for  $T_J$  is obtained:

$$\text{Die-junction temperature: } T_J = 30^\circ\text{C} + 5^\circ\text{C} + (0.8^\circ\text{C/W} + 1.0^\circ\text{C/W} + \theta_{SA}) \times 7.0 \text{ W}$$

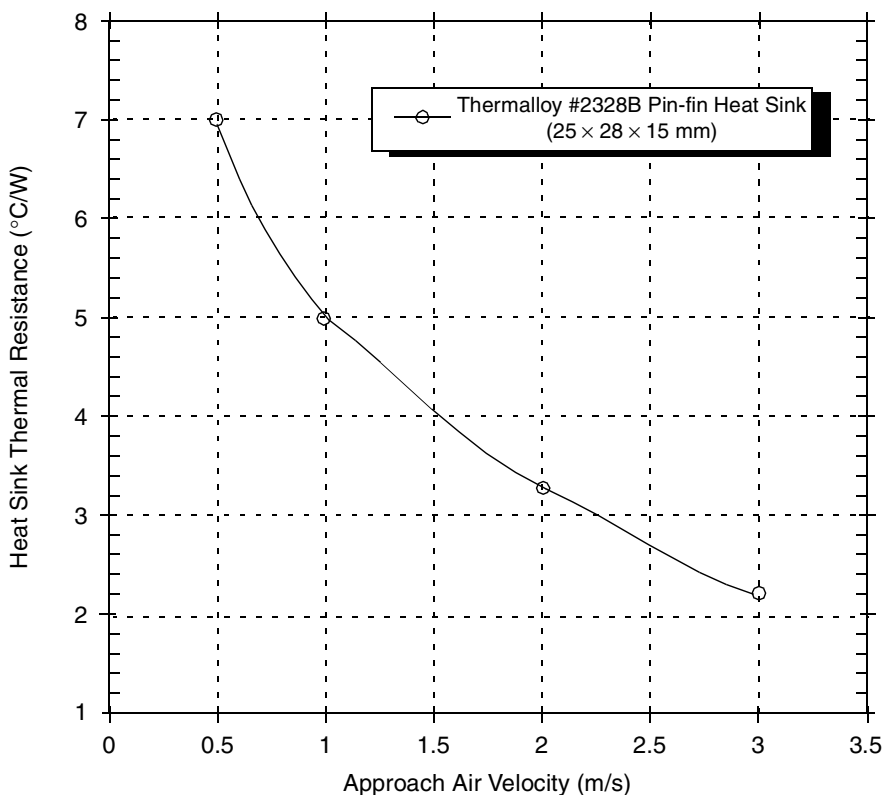
The heat sink-to-ambient thermal resistance ( $\theta_{SA}$ ) versus airflow velocity for a Thermalloy heat sink #2328B is shown in [Figure 55](#).

Assuming an air velocity of 2 m/s, we have an effective  $\theta_{SA+}$  of about 3.3°C/W, thus

$$T_J = 30^\circ\text{C} + 5^\circ\text{C} + (0.8^\circ\text{C/W} + 1.0^\circ\text{C/W} + 3.3^\circ\text{C/W}) \times 7.0 \text{ W},$$

resulting in a die-junction temperature of approximately 71°C which is well within the maximum operating temperature of the component.





**Figure 55. Thermalloy #2328B Heat Sink-to-Ambient Thermal Resistance Versus Airflow Velocity**

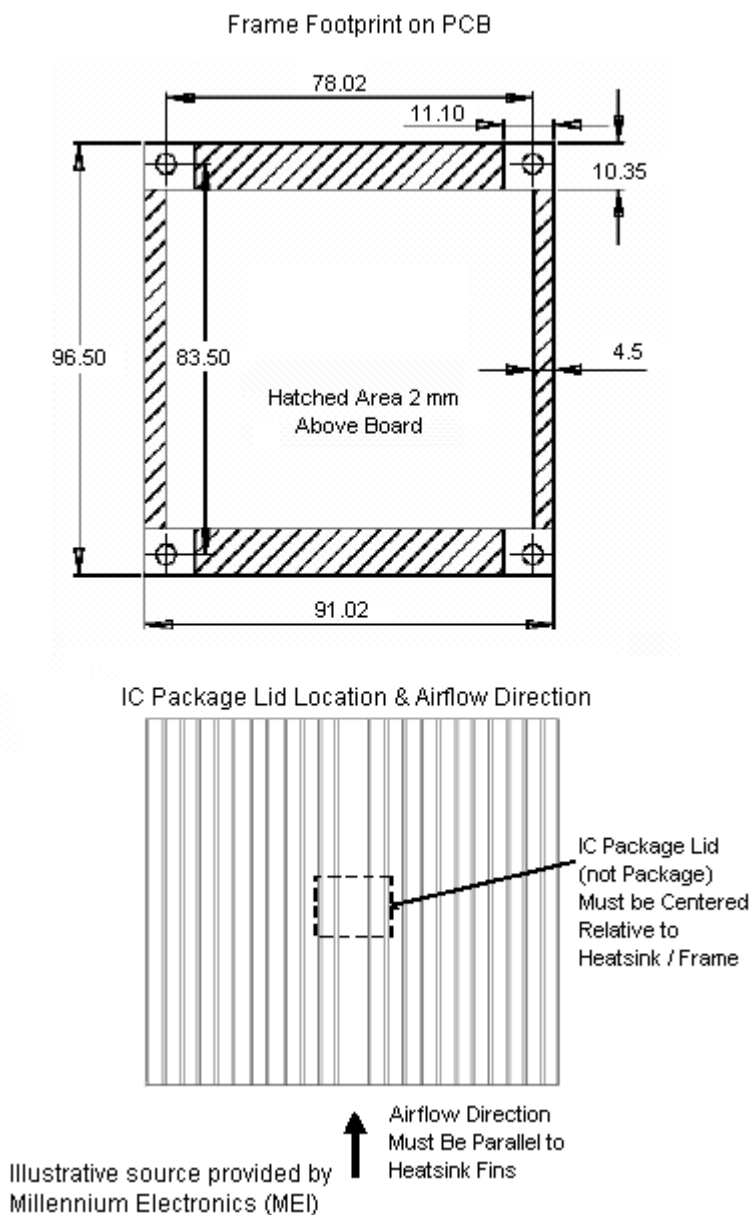
### 16.2.4.2 Case 2

Every system application has different conditions that the thermal management solution must solve. As an alternate example, assume that the air reaching the component is 85 °C with an approach velocity of 1 m/sec. For a maximum junction temperature of 105 °C at 7 W, the total thermal resistance of junction to case thermal resistance plus thermal interface material plus heat sink thermal resistance must be less than 2.8 °C/W. The value of the junction to case thermal resistance in [Table 60](#) includes the thermal interface resistance of a thin layer of thermal grease as documented in footnote 4 of the table. Assuming that the heat sink is flat enough to allow a thin layer of grease or phase change material, then the heat sink must be less than 2 °C/W.

Millennium Electronics (MEI) has tooled a heat sink M THERM-1051 for this requirement assuming a compact PCI environment at 1 m/sec and a heat sink height of 12 mm. The MEI solution is illustrated in [Figure 56](#) and [Figure 57](#). This design has several significant advantages:

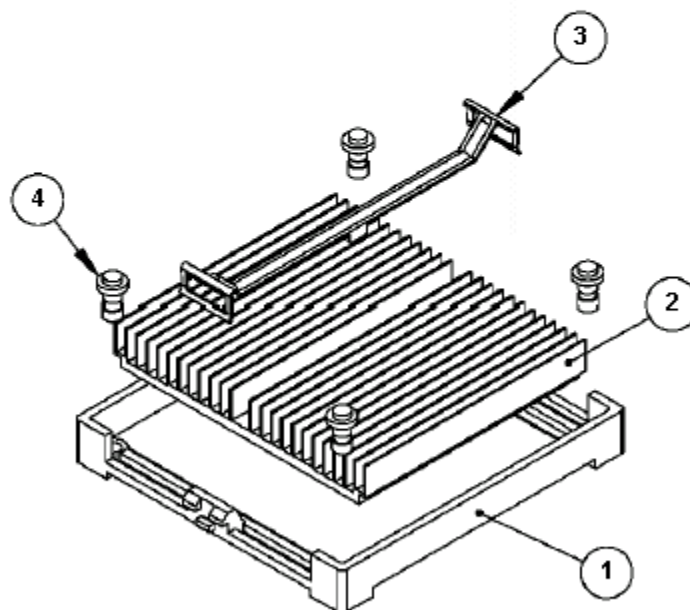
- The heat sink is clipped to a plastic frame attached to the application board with screws or plastic inserts at the corners away from the primary signal routing areas.
- The heat sink clip is designed to apply the force holding the heat sink in place directly above the die at a maximum force of less than 10 lbs.
- For applications with significant vibration requirements, silicone damping material can be applied between the heat sink and plastic frame.

The spring mounting should be designed to apply the force only directly above the die. By localizing the force, rocking of the heat sink is minimized. One suggested mounting method attaches a plastic fence to the board to provide the structure on which the heat sink spring clips. The plastic fence also provides the opportunity to minimize the holes in the printed-circuit board and to locate them at the corners of the package. [Figure 56](#) and [Figure 57](#) provide exploded views of the plastic fence, heat sink, and spring clip.



**Figure 56. Exploded Views (1) of a Heat Sink Attachment using a Plastic Force**

Item No	QTY	MEI PN	Description
1	1	MFRAME-2000	HEATSINK FRAME
2	1	MSNK-1120	EXTRUDED HEATSINK
3	1	MCLIP-1013	CLIP
4	4	MPPINS-1000	FRAME ATTACHMENT PINS



Illustrative source provided by  
Millennium Electronics (MEI)

**Figure 57. Exploded Views (2) of a Heat Sink Attachment using a Plastic Fence**

The die junction-to-ambient and the heat sink-to-ambient thermal resistances are common figure-of-merits used for comparing the thermal performance of various microelectronic packaging technologies, one should exercise caution when only using this metric in determining thermal management because no single parameter can adequately describe three-dimensional heat flow. The final die-junction operating temperature is not only a function of the component-level thermal resistance, but the system level design and its operating conditions. In addition to the component's power consumption, a number of factors affect the final operating die-junction temperature: airflow, board population (local heat flux of adjacent components), system air temperature rise, altitude, etc.

Due to the complexity and the many variations of system-level boundary conditions for today's microelectronic equipment, the combined effects of the heat transfer mechanisms (radiation convection and conduction) may vary widely. For these reasons, we recommend using conjugate heat transfer models for the boards, as well as, system-level designs.

## 17 System Design Information

This section provides electrical and thermal design recommendations for successful application of the MPC8560.

### 17.1 System Clocking

The MPC8560 includes three PLLs.

1. The platform PLL generates the platform clock from the externally supplied SYSCLK input. The frequency ratio between the platform and SYSCLK is selected using the platform PLL ratio configuration bits as described in [Section 15.2, “Platform/System PLL Ratio.”](#)
2. The e500 Core PLL generates the core clock as a slave to the platform clock. The frequency ratio between the e500 core clock and the platform clock is selected using the e500 PLL ratio configuration bits as described in [Section 15.3, “e500 Core PLL Ratio.”](#)
3. The CPM PLL is slaved to the platform clock and is used to generate clocks used internally by the CPM block. The ratio between the CPM PLL and the platform clock is fixed and not under user control.

### 17.2 PLL Power Supply Filtering

Each of the PLLs listed above is provided with power through independent power supply pins ( $AV_{DD1}$ ,  $AV_{DD2}$ , and  $AV_{DD3}$ , respectively). The  $AV_{DD}$  level should always be equivalent to  $V_{DD}$ , and preferably these voltages will be derived directly from  $V_{DD}$  through a low frequency filter scheme such as the following.

There are a number of ways to reliably provide power to the PLLs, but the recommended solution is to provide three independent filter circuits as illustrated in [Figure 58](#), one to each of the three  $AV_{DD}$  pins. By providing independent filters to each PLL the opportunity to cause noise injection from one PLL to the other is reduced.

This circuit is intended to filter noise in the PLLs resonant frequency range from a 500 kHz to 10 MHz range. It should be built with surface mount capacitors with minimum Effective Series Inductance (ESL). Consistent with the recommendations of Dr. Howard Johnson in *High Speed Digital Design: A Handbook of Black Magic* (Prentice Hall, 1993), multiple small capacitors of equal value are recommended over a single large value capacitor.

Each circuit should be placed as close as possible to the specific  $AV_{DD}$  pin being supplied to minimize noise coupled from nearby circuits. It should be possible to route directly from the capacitors to the  $AV_{DD}$  pin, which is on the periphery of the 783 FC-PBGA footprint, without the inductance of vias.

Figure 58 shows the PLL power supply filter circuit.

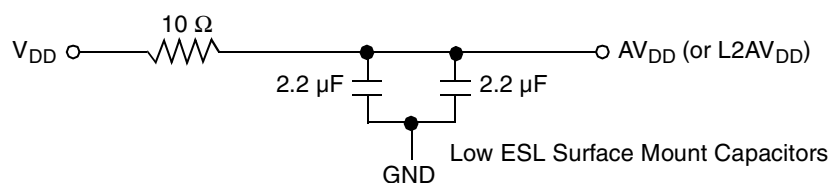


Figure 58. PLL Power Supply Filter Circuit

## 17.3 Decoupling Recommendations

Due to large address and data buses, and high operating frequencies, the MPC8560 can generate transient power surges and high frequency noise in its power supply, especially while driving large capacitive loads. This noise must be prevented from reaching other components in the MPC8560 system, and the MPC8560 itself requires a clean, tightly regulated source of power. Therefore, it is recommended that the system designer place at least one decoupling capacitor at each  $V_{DD}$ ,  $OV_{DD}$ ,  $GV_{DD}$ , and  $LV_{DD}$  pins of the MPC8560. These decoupling capacitors should receive their power from separate  $V_{DD}$ ,  $OV_{DD}$ ,  $GV_{DD}$ ,  $LV_{DD}$ , and GND power planes in the PCB, utilizing short traces to minimize inductance. Capacitors may be placed directly under the device using a standard escape pattern. Others may surround the part.

These capacitors should have a value of 0.01 or 0.1  $\mu\text{F}$ . Only ceramic SMT (surface mount technology) capacitors should be used to minimize lead inductance, preferably 0402 or 0603 sizes.

In addition, it is recommended that there be several bulk storage capacitors distributed around the PCB, feeding the  $V_{DD}$ ,  $OV_{DD}$ ,  $GV_{DD}$ , and  $LV_{DD}$  planes, to enable quick recharging of the smaller chip capacitors. These bulk capacitors should have a low ESR (equivalent series resistance) rating to ensure the quick response time necessary. They should also be connected to the power and ground planes through two vias to minimize inductance. Suggested bulk capacitors—100–330  $\mu\text{F}$  (AVX TPS tantalum or Sanyo OSCON).

## 17.4 Connection Recommendations

To ensure reliable operation, it is highly recommended to connect unused inputs to an appropriate signal level. Unused active low inputs should be tied to  $OV_{DD}$ ,  $GV_{DD}$ , or  $LV_{DD}$  as required. Unused active high inputs should be connected to GND. All NC (no-connect) signals must remain unconnected.

Power and ground connections must be made to all external  $V_{DD}$ ,  $GV_{DD}$ ,  $LV_{DD}$ ,  $OV_{DD}$ , and GND pins of the MPC8560.

## 17.5 Output Buffer DC Impedance

The MPC8560 drivers are characterized over process, voltage, and temperature. There are two driver types: a push-pull single-ended driver (open drain for I<sup>2</sup>C) for all buses except RapidIO, and a current-steering differential driver for the RapidIO port.

To measure  $Z_0$  for the single-ended drivers, an external resistor is connected from the chip pad to  $OV_{DD}$  or GND. Then, the value of each resistor is varied until the pad voltage is  $OV_{DD}/2$  (see Figure 59). The output impedance is the average of two components, the resistances of the pull-up and pull-down devices.

When data is held high, SW1 is closed (SW2 is open) and  $R_P$  is trimmed until the voltage at the pad equals  $OV_{DD}/2$ .  $R_P$  then becomes the resistance of the pull-up devices.  $R_P$  and  $R_N$  are designed to be close to each other in value. Then,  $Z_0 = (R_P + R_N)/2$ .

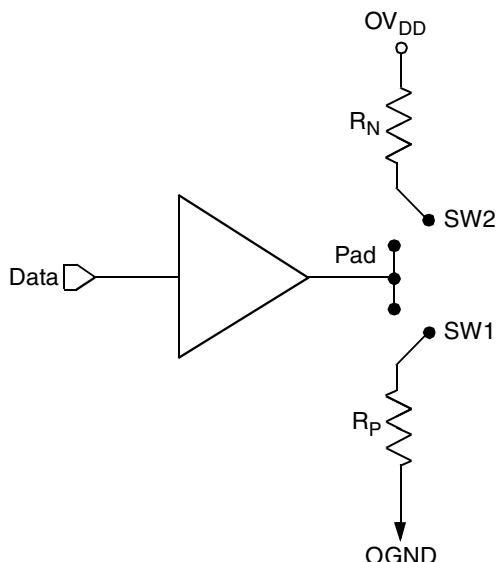


Figure 59. Driver Impedance Measurement

The output impedance of the RapidIO port drivers targets 200-Ω differential resistance. The value of this resistance and the strength of the driver’s current source can be found by making two measurements. First, the output voltage is measured while driving logic 1 without an external differential termination resistor. The measured voltage is  $V_1 = R_{source} \times I_{source}$ . Second, the output voltage is measured while driving logic 1 with an external precision differential termination resistor of value  $R_{term}$ . The measured voltage is  $V_2 = 1/(1/R_1 + 1/R_2) \times I_{source}$ . Solving for the output impedance gives  $R_{source} = R_{term} \times (V_1/V_2 - 1)$ . The drive current is then  $I_{source} = V_1/R_{source}$ .

Table 61 summarizes the signal impedance targets. The driver impedance are targeted at minimum  $V_{DD}$ , nominal  $OV_{DD}$ , 105°C.

Table 61. Impedance Characteristics

Impedance	Local Bus, Ethernet, DUART, Control, Configuration, Power Management	PCI/PCI-X	DDR DRAM	RapidIO	Symbol	Unit
$R_N$	43 Target	25 Target	20 Target	NA	$Z_0$	W
$R_P$	43 Target	25 Target	20 Target	NA	$Z_0$	W
Differential	NA	NA	NA	200 Target	$Z_{DIFF}$	W

Note: Nominal supply voltages. See Table 1,  $T_j = 105^\circ\text{C}$ .

## 17.6 Configuration Pin Muxing

The MPC8560 provides the user with power-on configuration options which can be set through the use of external pull-up or pull-down resistors of 4.7 k $\Omega$  on certain output pins (see customer visible configuration pins). These pins are generally used as output only pins in normal operation.

While  $\overline{\text{HRESET}}$  is asserted however, these pins are treated as inputs. The value presented on these pins while  $\overline{\text{HRESET}}$  is asserted, is latched when  $\overline{\text{HRESET}}$  deasserts, at which time the input receiver is disabled and the I/O circuit takes on its normal function. Most of these sampled configuration pins are equipped with an on-chip gated resistor of approximately 20 k $\Omega$ . This value should permit the 4.7-k $\Omega$  resistor to pull the configuration pin to a valid logic low level. The pull-up resistor is enabled only during  $\overline{\text{HRESET}}$  (and for platform/system clocks after  $\overline{\text{HRESET}}$  deassertion to ensure capture of the reset value). When the input receiver is disabled the pull-up is also, thus allowing functional operation of the pin as an output with minimal signal quality or delay disruption. The default value for all configuration bits treated this way has been encoded such that a high voltage level puts the device into the default state and external resistors are needed only when non-default settings are required by the user.

Careful board layout with stubless connections to these pull-down resistors coupled with the large value of the pull-down resistor should minimize the disruption of signal quality or speed for output pins thus configured.

The platform PLL ratio and e500 PLL ratio configuration pins are not equipped with these default pull-up devices.

## 17.7 Pull-Up Resistor Requirements

The MPC8560 requires high resistance pull-up resistors (10 k $\Omega$  is recommended) on open drain type pins including EPIC interrupt pins. I<sup>2</sup>C open drain type pins should be pulled up with ~1 k $\Omega$  resistors.

Correct operation of the JTAG interface requires configuration of a group of system control pins as demonstrated in [Figure 61](#). Care must be taken to ensure that these pins are maintained at a valid deasserted state under normal operating conditions as most have asynchronous behavior and spurious assertion will give unpredictable results.

TSEC1\_TXD[3:0] must not be pulled low during reset. Some PHY chips have internal pulldowns that could cause this to happen. If such PHY chips are used, then a pullup must be placed on these signals strong enough to restore these signals to a logical 1 during reset.

Three test pins also require pull-up resistors (100  $\Omega$  - 1 k $\Omega$ ). These pins are L1\_TSTCLK, L2\_TSTCLK, and  $\overline{\text{LSSD\_MODE}}$ . These signals are for factory use only and must be pulled up to OVDD for normal machine operation.

Refer to the PCI 2.2 specification for all pull-ups required for PCI.

## 17.8 JTAG Configuration Signals

Boundary-scan testing is enabled through the JTAG interface signals. The  $\overline{\text{TRST}}$  signal is optional in the IEEE 1149.1 specification, but is provided on all processors that implement the Power Architecture. The device requires  $\overline{\text{TRST}}$  to be asserted during reset conditions to ensure the JTAG boundary logic does not interfere with normal chip operation. While it is possible to force the TAP controller to the reset state using only the TCK and TMS signals, generally systems will assert  $\overline{\text{TRST}}$  during the power-on reset flow. Simply tying  $\overline{\text{TRST}}$  to  $\overline{\text{HRESET}}$  is not practical because the JTAG interface is also used for accessing the common on-chip processor (COP) function.

The COP function of these processors allow a remote computer system (typically, a PC with dedicated hardware and debugging software) to access and control the internal operations of the processor. The COP interface connects primarily through the JTAG port of the processor, with some additional status monitoring signals. The COP port requires the ability to independently assert  $\overline{\text{HRESET}}$  or  $\overline{\text{TRST}}$  in order to fully control the processor. If the target system has independent reset sources, such as voltage monitors, watchdog timers, power supply failures, or push-button switches, then the COP reset signals must be merged into these signals with logic.

The arrangement shown in [Figure 60](#) allows the COP port to independently assert  $\overline{\text{HRESET}}$  or  $\overline{\text{TRST}}$ , while ensuring that the target can drive  $\overline{\text{HRESET}}$  as well.

The COP interface has a standard header, shown in [Figure 60](#), for connection to the target system, and is based on the 0.025" square-post, 0.100" centered header assembly (often called a Berg header). The connector typically has pin 14 removed as a connector key.

The COP header adds many benefits such as breakpoints, watchpoints, register and memory examination/modification, and other standard debugger features. An inexpensive option can be to leave the COP header unpopulated until needed.

There is no standardized way to number the COP header; consequently, many different pin numbers have been observed from emulator vendors. Some are numbered top-to-bottom then left-to-right, while others use left-to-right then top-to-bottom, while still others number the pins counter clockwise from pin 1 (as with an IC). Regardless of the numbering, the signal placement recommended in [Figure 60](#) is common to all known emulators.



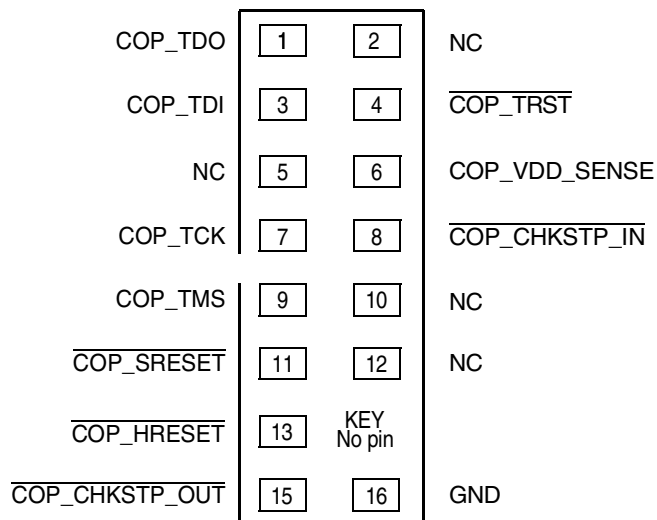
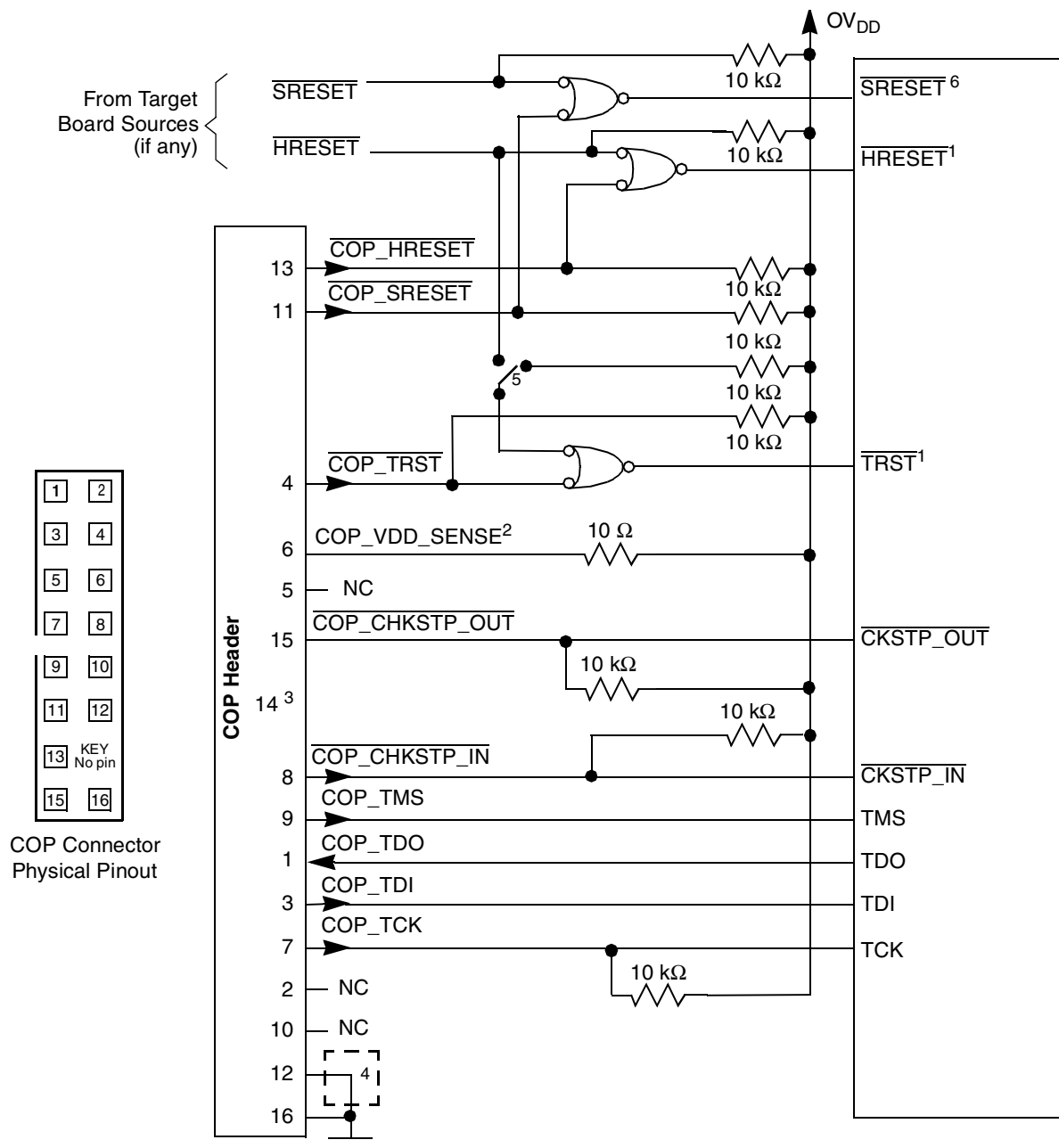


Figure 60. COP Connector Physical Pinout

### 17.8.1 Termination of Unused Signals

If the JTAG interface and COP header will not be used, Freescale recommends the following connections:

- $\overline{\text{TRST}}$  should be tied to  $\overline{\text{HRESET}}$  through a 0 k $\Omega$  isolation resistor so that it is asserted when the system reset signal ( $\overline{\text{HRESET}}$ ) is asserted, ensuring that the JTAG scan chain is initialized during the power-on reset flow. Freescale recommends that the COP header be designed into the system as shown in Figure 61. If this is not possible, the isolation resistor will allow future access to  $\overline{\text{TRST}}$  in case a JTAG interface may need to be wired onto the system in future debug situations.
- Tie TCK to  $\text{OV}_{\text{DD}}$  through a 10 k $\Omega$  resistor. This will prevent TCK from changing state and reading incorrect data into the device.
- No connection is required for TDI, TMS, or TDO.



**Notes:**

1. The COP port and target board should be able to independently assert  $\overline{\text{HRESET}}$  and  $\overline{\text{TRST}}$  to the processor in order to fully control the processor as shown here.
2. Populate this with a 10 Ω resistor for short-circuit/current-limiting protection.
3. The KEY location (pin 14) is not physically present on the COP header.
4. Although pin 12 is defined as a No-Connect, some debug tools may use pin 12 as an additional GND pin for improved signal integrity.
5. This switch is included as a precaution for BSDL testing. The switch should be open during BSDL testing to avoid accidentally asserting the  $\overline{\text{TRST}}$  line. If BSDL testing is not being performed, this switch should be closed or removed.
6. Asserting  $\overline{\text{SRESET}}$  causes a machine check interrupt to the e500 core.

**Figure 61. JTAG Interface Connection**

# 18 Document Revision History

Table 62 provides a revision history for this hardware specification.

**Table 62. Document Revision History**

Rev. No.	Substantive Change(s)
4.2	Added "Note: Rise/Fall Time on CPM Input Pins" and following note text to <a href="#">Section 9.2, "CPM AC Timing Specifications."</a>
4.1	Inserted <a href="#">Figure 3</a> and paragraph above it. Added PCI/PCI-X row to Input Voltage characteristic and added footnote 6 to <a href="#">Table 1</a> .
4	Updated <a href="#">Section 2.1.2, "Power Sequencing."</a> Updated back page information.
3.5	Updated <a href="#">Section 2.1.2, "Power Sequencing."</a>
3.4	Updated $MV_{REF}$ Max Value in <a href="#">Table 1</a> . Updated $MV_{REF}$ Max Value in <a href="#">Table 2</a> . Added new revision level information to <a href="#">Table 63</a>
3.3	Updated $MV_{REF}$ Max Value in <a href="#">Table 1</a> . Removed <a href="#">Figure 3</a> . In <a href="#">Table 4</a> , replaced TBD with power numbers and added footnote. Updated specs and footnotes in <a href="#">Table 8</a> . Corrected max number for $MV_{REF}$ in <a href="#">Table 13</a> . Changed parameter "Clock cycle duration" to "Clock period" in <a href="#">Table 27</a> . Added note 4 to $t_{LBKHOV1}$ and removed LALE reference from $t_{LBKHOV3}$ in <a href="#">Table 31</a> and <a href="#">Table 32</a> . Updated LALE signal in <a href="#">Figure 17</a> and <a href="#">Figure 18</a> . Modified <a href="#">Figure 21</a> . Modified <a href="#">Figure 61</a> .

**Table 62. Document Revision History (continued)**

Rev. No.	Substantive Change(s)
3.2	<p>Updated <a href="#">Table 1</a> and <a href="#">Table 2</a> with 1.0 GHz device parameter requirements.</p> <p>Added <a href="#">Section 2.1.2, "Power Sequencing"</a>.</p> <p>Added CPM port signal drive strength to <a href="#">Table 3</a>.</p> <p>Updated <a href="#">Table 4</a> with Maximum power data.</p> <p>Updated <a href="#">Table 4</a> and <a href="#">Table 5</a> with 1 GHz speed grade information.</p> <p>Updated <a href="#">Table 6</a> with corrected typical I/O power numbers.</p> <p>Updated <a href="#">Table 7</a> Note 2 lower voltage measurement point.</p> <p>Replaced <a href="#">Table 7</a> Note 5 with spread spectrum clocking guidelines.</p> <p>Added to <a href="#">Table 8</a> rise and fall time information.</p> <p>Added <a href="#">Section 4.4, "Real Time Clock Timing"</a>.</p> <p>Added precharge information to <a href="#">Section 6.2.2, "DDR SDRAM Output AC Timing Specifications"</a>.</p> <p>Removed <math>V_{IL}</math> and <math>V_{IH}</math> references from <a href="#">Table 21</a>, <a href="#">Table 22</a>, <a href="#">Table 23</a>, and <a href="#">Table 24</a>.</p> <p>Added reference level note to <a href="#">Table 21</a>, <a href="#">Table 22</a>, <a href="#">Table 23</a>, <a href="#">Table 24</a>, <a href="#">Table 25</a>, <a href="#">Table 26</a>, and <a href="#">Table 27</a>.</p> <p>Updated TXD references to TCG in <a href="#">Section 7.2.3.1, "TBI Transmit AC Timing Specifications"</a>.</p> <p>Updated <math>t_{TTKHDX}</math> value in <a href="#">Table 25</a>.</p> <p>Updated PMA_RX_CLK references to RX_CLK in <a href="#">Section 7.2.3.2, "TBI Receive AC Timing Specifications"</a>.</p> <p>Updated RXD references to RCG in <a href="#">Section 7.2.3.2, "TBI Receive AC Timing Specifications"</a>.</p> <p>Updated <a href="#">Table 27</a> Note 2.</p> <p>Corrected <a href="#">Table 29</a> <math>f_{MDC}</math> and <math>t_{MDC}</math> to reflect the correct minimum operating frequency.</p> <p>Updated <a href="#">Table 29</a> <math>t_{MDKHDV}</math> and <math>t_{MDKHDX}</math> values for clarification.</p> <p>Added <math>t_{LBKHKT}</math> and updated Note 2 in <a href="#">Table 32</a>.</p> <p>Corrected <math>LG\overline{T\overline{A}}</math> timing references in <a href="#">Figure 17</a>.</p> <p>Updated <a href="#">Figure 18</a>, <a href="#">Figure 20</a>, and <a href="#">Figure 22</a>.</p> <p>Corrected FCC output timing reference labels in <a href="#">Figure 24</a> and <a href="#">Figure 25</a>.</p> <p>Updated <a href="#">Figure 50</a>.</p> <p>Clarified <a href="#">Table 54</a> Note 5.</p> <p>Updated <a href="#">Table 55</a> and <a href="#">Table 56</a> with 1 GHz information.</p> <p>Added heat sink removal discussion to <a href="#">Section 16.2.3, "Thermal Interface Materials"</a>.</p> <p>Corrected and added 1 GHz part number to <a href="#">Table 63</a>.</p>
3.1	<p>Updated <a href="#">Table 4</a> and <a href="#">Table 5</a>.</p> <p>Added <a href="#">Table 6</a>.</p> <p>Added MCK duty cycle to <a href="#">Table 16</a>.</p> <p>Updated <math>f_{MDC}</math>, <math>t_{MDC}</math>, <math>t_{MDKHDV}</math>, and <math>t_{MDKHDX}</math> parameters in <a href="#">Table 29</a>.</p> <p>Added LALE to <math>t_{LBKHOV3}</math> parameter in <a href="#">Table 31</a> and <a href="#">Table 32</a>, and updated <a href="#">Figure 17</a>.</p> <p>Corrected active level designations of some of the pins in <a href="#">Table 54</a>.</p> <p>Updated <a href="#">Table 63</a>.</p>

**Table 62. Document Revision History (continued)**

Rev. No.	Substantive Change(s)
3.0	<p>Table 1—Corrected MII management voltage reference            Section 2.1.3—New            Table 2—Corrected MII management voltage reference            Table 5—Removed ‘minimum’ column            Table 5—Added AV<sub>DD</sub> power table            Table 8—New            Table 9—New            Table 9—New            Table 13—Added overshoot/undershoot note.            Figure 4—New            Table 16—Restated t<sub>MCKSKEW1</sub> as t<sub>MCKSKEW</sub>; removed t<sub>MCKSKEW2</sub>; added speed-specific minimum values for 333, 266, and 200 MHz; updated t<sub>DSSHME</sub> values.            Updated chapter to reflect that GMII, MII and TBI can be run with 2.5V signalling.            Table 29—Added MDIO output valid timing            Table 31—Updated t<sub>LBIVKH1</sub>, t<sub>LBIXKH1</sub>, and t<sub>LBOTOT</sub>.            Table 32—New            Figure 20, Figure 22—Updated clock reference            Table 34—Updated t<sub>TDIVKH</sub>            Table 35—Updated t<sub>TDKHOX</sub>            Added tables and figures for CPM I<sup>2</sup>C            Table 45—Updated t<sub>PCIVKH</sub>            Section 14.1— Changed minimum height from 2.22 to 3.07 and maximum from 2.76 to 3.75            Table 54.—Updated MII management voltage reference and added note 20.            Section 16.2.4.1—Changed <math>\theta_{JC}</math> from 0.3 to 0.8; changed die-junction temperature from 67° to 71°            Section 17.7—Added paragraph that begins “TSEC1_TXD[3:0]...”</p>
2.1	<p>Section 2.1.3—New            Table 16—Added speed-specific minimum values for 333, 266, and 200 MHz            Table 31—Replaced all references to TSEC1_TXD[6:5] to TSEC2_TXD[6:5]            Table 31—Added t<sub>LSKEW</sub> and note 3            Table 31—Added comment about rev. 2.x devices to note 5            Section 14.1— Changed minimum height from 2.22 to 3.07 and maximum from 2.76 to 3.75            Section 16.2.4.1—Changed <math>\theta_{JC}</math> from 0.3 to 0.8; changed die-junction temperature from 67° to 71°            Section 17.7—Added paragraph that begins “TSEC1_TXD[3:0]...”</p>

**Table 62. Document Revision History (continued)**

Rev. No.	Substantive Change(s)
2.0	<p>Section 1.1—Updated features list to coincide with latest version of the reference manual</p> <p>Table 1 and Table 2— Addition of CPM to <math>OV_{DD}</math> and <math>OV_{IN}</math>; Addition of SYSCLK to <math>OV_{IN}</math></p> <p>Table 2—Addition of notes 1 and 2</p> <p>Table 3—Addition of note 1</p> <p>Table 5—New</p> <p>Section 4—New</p> <p>Table 13—Addition of <math>I_{VREF}</math></p> <p>Table 15—Modified maximum values for <math>t_{DISKEW}</math></p> <p>Table 16—Added MSYNC_OUT to <math>t_{MCKSKEW2}</math></p> <p>Figure 5—New</p> <p>Section 6.2.1—Removed Figure 4, "DDR SDRAM Input Timing Diagram"</p> <p>Section 7.1—Removed references to 2.5 V from first paragraph</p> <p>Figure 8—New</p> <p>Table 19 and Table 20—Modified "conditions" for <math>I_{IH}</math> and <math>I_{IL}</math></p> <p>Table 21—Addition of min and max for GTX_CLK125 reference clock duty cycle</p> <p>Table 25—Addition of min and max for GTX_CLK125 reference clock duty cycle</p> <p>Table 27—Addition of min and max for GTX_CLK125 reference clock duty cycle</p> <p>Figure 17 and Figure 19—Changed LSYNC_IN to Internal clock at top of each figure</p> <p>Table 34—Modified values for <math>t_{FIIVKH}</math>, <math>t_{NIIVKH}</math>, and <math>t_{TDIVKH}</math>; addition of <math>t_{PIIVKH}</math> and <math>t_{PIIXKH}</math>.</p> <p>Table 35—Modified values for <math>t_{FEKHOX}</math>, <math>t_{NIKHOX}</math>, <math>t_{NEKHOX}</math>, <math>t_{TDKHOX}</math>; addition of <math>t_{PIKHOX}</math>.</p> <p>Figure 16—New</p> <p>Figure 30—New</p> <p>Figure 16—New</p> <p>Figure 16—New</p> <p>Table 31—Removed row for <math>t_{LBKHOX3}</math></p> <p>Table 44—New (AC timing of PCI-X at 66 MHz)</p> <p>Table 54—Addition of note 19</p> <p>Figure 61—Addition of jumper and note at top of diagram</p> <p>Table 56—Changed max bus freq for 667 core to 166</p> <p>Section 16.2.1—Modified first paragraph</p> <p>Figure 52—Modified</p> <p>Figure 53—New</p> <p>Table 60—Modified thermal resistance data</p> <p>Section 16.2.4.2—Modified first and second paragraphs</p>

**Table 62. Document Revision History (continued)**

Rev. No.	Substantive Change(s)
1.2	<p>Section 1.1.1—Updated feature list.</p> <p>Section 1.2.1.1—Updated notes for Table 1.</p> <p>Section 1.2.1.2—Removed 5-V PCI interface overshoot and undershoot figure.</p> <p>Section 1.2.1.3—Added this section to summarize impedance driver settings for various interfaces.</p> <p>Section 1.4—Updated rows in Reset Initialization timing specifications table. Added a table with DLL and PLL timing specifications.</p> <p>Section 1.5.2.2—Updated note 6 of DDR SDRAM Output AC Timing Specifications table.</p> <p>Section 1.7—Changed the minimum input low current from -600 to -15 <math>\mu</math>A for the RGMII DC electrical characteristics.</p> <p>Section 1.7.2—Changed LCS[3:4] to TSEC1_TXD[6:5]. Updated notes regarding LCS[3:4].</p> <p>Section 1.13.2—Updated the mechanical dimensions diagram for the package.</p> <p>Section 1.13.3—Updated the notes for LBCTL, TRIG_OUT, and ASLEEP. Corrected pin assignments for IIC_SDA and IIC_SCL. Corrected reserved pin assignment of V11 to U11. V11 is actually <math>\overline{\text{PCI\_STOP}}</math>.</p> <p>Section 1.14.1—Updated the table for frequency options with respect to platform/CCB frequencies.</p> <p>Section 1.14.4—Edited Frequency options with respect to memory bus speeds.</p>
1.1	<p>Made updates throughout document.</p> <p>Section 1.6.1—Added symbols and note for the GTX_CLK125 timing parameters.</p> <p>Section 1.11.3—Updated pin list table: LGPL5/LSDAMUX to LGPL5, LA[27:29] and LA[30:31] to LA[27:31], TRST to <math>\overline{\text{TRST}}</math>, added GBE Clocking section and EC_GTX_CLK125 signal.</p> <p>Figure 50—Updated pin 2 connection information.</p>
1	Original Customer Version.

## 19 Device Nomenclature

Ordering information for the parts fully covered by this specification document is provided in [Section 19.1, “Part Numbers Fully Addressed by this Document.”](#)

### 19.1 Part Numbers Fully Addressed by this Document

[Table 63](#) provides the Freescale part numbering nomenclature for the MPC8560. Note that the individual part numbers correspond to a maximum processor core frequency. For available frequencies, contact your local Freescale sales office. In addition to the processor frequency, the part numbering scheme also includes an application modifier which may specify special application conditions. Each part number also contains a revision code which refers to the die mask revision number.

**Table 63. Part Numbering Nomenclature**

MPC	nnnn	t	pp	ff(f)	c	r
Product Code	Part Identifier	Temperature Range <sup>1</sup>	Package <sup>2</sup>	Processor Frequency <sup>3, 4</sup>	Platform Frequency	Revision Level
MPC	8560	Blank = 0 to 105°C C = -40 to 105°C	PX = FC-PBGA VT = FC-PBGA (Pb-free)	833 = 833 MHz 667 = 667 MHz	L = 333 MHz J = 266 MHz	B = Rev. 2.0 (SVR = 0x80700020) C = Rev. 2.1 (SVR = 0x80700021)
MPC	8560	Blank = 0 to 105°C C = -40 to 105°C	PX = FC-PBGA VT = FC-PBGA (Pb-free)	AQ = 1.0 GHz	F = 333 MHz	B = Rev. 2.0 (SVR = 0x80700020) C = Rev. 2.1 (SVR = 0x80700021)

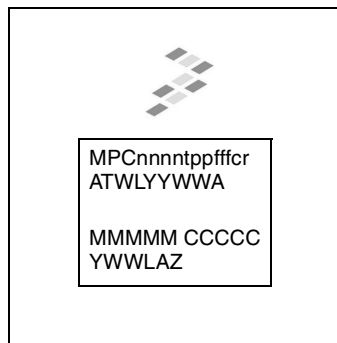
**Notes:**

1. For Temperature Range=C, Processor Frequency is limited to 667 MHz.
2. See [Section 14, “Package and Pin Listings”](#) for more information on available package types.
3. Processor core frequencies supported by parts addressed by this specification only. Not all parts described in this specification support all core frequencies. The core must be clocked at a minimum frequency of 400 MHz. A device must not be used beyond the core frequency or platform frequency indicated on the device.
4. Designers should use the maximum power value corresponding to the core and platform frequency grades indicated on the device. A lower maximum power value should not be assumed for design purposes even when running at a lower frequency.



## 19.2 Part Marking

Parts are marked as the example shown in [Figure 62](#).



FC-PBGA

**Notes:**

MMMMM is the 5-digit mask number.

ATWLYYWWA is the traceability code.

CCCCC is the country of assembly. This space is left blank if parts are assembled in the United States.

YWWLAZ is the assembly traceability code.

**Figure 62. Part Marking for FC-PBGA Device**

**THIS PAGE INTENTIONALLY LEFT BLANK**

**THIS PAGE INTENTIONALLY LEFT BLANK**

## How to Reach Us:

### Home Page:

[www.freescale.com](http://www.freescale.com)

### Web Support:

<http://www.freescale.com/support>

### USA/Europe or Locations Not Listed:

Freescale Semiconductor, Inc.  
 Technical Information Center, EL516  
 2100 East Elliot Road  
 Tempe, Arizona 85284  
 +1-800-521-6274 or  
 +1-480-768-2130  
[www.freescale.com/support](http://www.freescale.com/support)

### Europe, Middle East, and Africa:

Freescale Halbleiter Deutschland GmbH  
 Technical Information Center  
 Schatzbogen 7  
 81829 Muenchen, Germany  
 +44 1296 380 456 (English)  
 +46 8 52200080 (English)  
 +49 89 92103 559 (German)  
 +33 1 69 35 48 48 (French)  
[www.freescale.com/support](http://www.freescale.com/support)

### Japan:

Freescale Semiconductor Japan Ltd.  
 Headquarters  
 ARCO Tower 15F  
 1-8-1, Shimo-Meguro, Meguro-ku  
 Tokyo 153-0064  
 Japan  
 0120 191014 or  
 +81 3 5437 9125  
[support.japan@freescale.com](mailto:support.japan@freescale.com)

### Asia/Pacific:

Freescale Semiconductor Hong Kong Ltd.  
 Technical Information Center  
 2 Dai King Street  
 Tai Po Industrial Estate  
 Tai Po, N.T., Hong Kong  
 +800 2666 8080  
[support.asia@freescale.com](mailto:support.asia@freescale.com)

### For Literature Requests Only:

Freescale Semiconductor  
 Literature Distribution Center  
 P.O. Box 5405  
 Denver, Colorado 80217  
 +1-800 441-2447 or  
 +1-303-675-2140  
 Fax: +1-303-675-2150  
[LDCForFreescaleSemiconductor@hibbertgroup.com](mailto:LDCForFreescaleSemiconductor@hibbertgroup.com)

Information in this document is provided solely to enable system and software implementers to use Freescale Semiconductor products. There are no express or implied copyright licenses granted hereunder to design or fabricate any integrated circuits or integrated circuits based on the information in this document.

Freescale Semiconductor reserves the right to make changes without further notice to any products herein. Freescale Semiconductor makes no warranty, representation or guarantee regarding the suitability of its products for any particular purpose, nor does Freescale Semiconductor assume any liability arising out of the application or use of any product or circuit, and specifically disclaims any and all liability, including without limitation consequential or incidental damages. "Typical" parameters which may be provided in Freescale Semiconductor data sheets and/or specifications can and do vary in different applications and actual performance may vary over time. All operating parameters, including "Typicals" must be validated for each customer application by customer's technical experts. Freescale Semiconductor does not convey any license under its patent rights nor the rights of others. Freescale Semiconductor products are not designed, intended, or authorized for use as components in systems intended for surgical implant into the body, or other applications intended to support or sustain life, or for any other application in which the failure of the Freescale Semiconductor product could create a situation where personal injury or death may occur. Should Buyer purchase or use Freescale Semiconductor products for any such unintended or unauthorized application, Buyer shall indemnify and hold Freescale Semiconductor and its officers, employees, subsidiaries, affiliates, and distributors harmless against all claims, costs, damages, and expenses, and reasonable attorney fees arising out of, directly or indirectly, any claim of personal injury or death associated with such unintended or unauthorized use, even if such claim alleges that Freescale Semiconductor was negligent regarding the design or manufacture of the part.

Freescale™ and the Freescale logo are trademarks of Freescale Semiconductor, Inc. The Power Architecture and Power.org word marks and the Power and Power.org logos and related marks are trademarks and service marks licensed by Power.org. The described product is a PowerPC microprocessor. The PowerPC name is a trademark of IBM Corp. and is used under license. IEEE 802.3, 802.1, and 1149.1 are registered trademarks of the Institute of Electrical and Electronics Engineers, Inc. (IEEE). This product is not endorsed or approved by the IEEE. All other product or service names are the property of their respective owners.

© Freescale Semiconductor, Inc., 2008. All rights reserved.



## X-ON Electronics

Largest Supplier of Electrical and Electronic Components

*Click to view similar products for [Microprocessors - MPU category](#):*

*Click to view products by [NXP manufacturer](#):*

Other Similar products are found below :

[MC7457RX1000LC](#) [MC7457RX1267LC](#) [A2C00010998 A](#) [A2C52004004](#) [R5F117BCGNA#20](#) [R5F52106BDLA#U0](#) [ADJ3400IAA5DOE](#)  
[MPC8245TZU300D](#) [MPC8260ACVVMHBB](#) [MPC8323ECVRAFDCA](#) [MPC8536ECVJAVLA](#) [BOXNUC5PGYH0AJ](#) [20-668-0024](#)  
[P1010NSN5DFB](#) [P2020NXE2HHC](#) [P5020NSE7VNB](#) [LS1020ASN7KQB](#) [LS1020AXN7HNB](#) [LS1020AXN7KQB](#) [A2C00010729 A](#)  
[A2C00039344](#) [T1022NSE7MQB](#) [T1022NXN7PQB](#) [T1023NSE7MQA](#) [T1024NXE7PQA](#) [T1042NSN7MQB](#) [T1042NXN7WQB](#)  
[T2080NSN8PTB](#) [T2080NXE8TTB](#) [T2081NXN8TTB](#) [R5F101AFASP#V0](#) [MC68302CEH20C](#) [TS68040MF33A](#) [MPC8260ACVVMIBB](#)  
[MPC8280CZUUPEA](#) [MPC8313ECVRAGDC](#) [MPC8313EVRADDC](#) [MPC8313VRADDC](#) [MPC8323EVRAFDCA](#) [BOXSTCK1A8LFCL](#)  
[UPD78F0503AMCA-CAB-G](#) [UPD78F0513AGA-8EU-AT](#) [UPD78F0730MC-CAB-AX](#) [Z8018008VEG](#) [LS1020ASE7HNB](#)  
[LS1021ASE7KQB](#) [LS1021ASN7KQB](#) [MPC8358ECVRAGDGA](#) [MPC8544CVJALFA](#) [MPC855TZQ80D4](#)