

# NX3DV2567

## Low-ohmic four-pole double-throw analog switch

Rev. 2 — 9 November 2011

Product data sheet

### 1. General description

The NX3DV2567 is a four-pole double-throw analog switch (4PDT) optimized for switching WLAN-SIM supply, data and control signals. It has one digital select input (S) and four switches each with two independent input/outputs (nY0 and nY1) and a common input/output (nZ). Schmitt trigger action at S makes the circuit tolerant to slower input rise and fall times across the entire  $V_{CC}$  range from 1.4 V to 4.3 V.

A low input voltage threshold allows pin S to be driven by lower level logic signals without significant increase in supply current  $I_{CC}$ . This makes it possible for the NX3DV2567 to switch 4.3 V signals with a 1.8 V digital controller, eliminating the need for logic level translation.

The NX3DV2567 allows signals with amplitude up to  $V_{CC}$  to be transmitted from nZ to nY0 or nY1; or from nY0 or nY1 to nZ..

### 2. Features and benefits

- Wide supply voltage range from 1.4 V to 4.3 V
- Very low ON resistance for supply path:
  - ◆ 0.5  $\Omega$  (typical) at  $V_{CC} = 1.8$  V
  - ◆ 0.45  $\Omega$  (typical) at  $V_{CC} = 2.7$  V
- Low ON resistance for data path:
  - ◆ 7  $\Omega$  (typical) at  $V_{CC} = 1.8$  V
  - ◆ 6  $\Omega$  (typical) at  $V_{CC} = 2.7$  V
- Low ON capacitance for data path
- Wide -3 db bandwidth > 160 MHz
- Break-before-make switching
- High noise immunity
- ESD protection:
  - ◆ HBM JESD22-A114F Class 3A exceeds 4000 V
  - ◆ HBM JESD22-A114F Class 3A I/O to GND exceeds 7000 V
  - ◆ CDM AEC-Q100-011 revision B exceeds 1000 V
- CMOS low-power consumption
- Latch-up performance exceeds 100 mA per JESD 78B Class II Level A
- 1.8 V control logic at  $V_{CC} = 3.6$  V
- Control input accepts voltages above supply voltage
- Very low supply current, even when input is below  $V_{CC}$
- High current handling capability (350 mA continuous current under 3.3 V supply for supply path switch)



- Specified from  $-40\text{ }^{\circ}\text{C}$  to  $+85\text{ }^{\circ}\text{C}$  and from  $-40\text{ }^{\circ}\text{C}$  to  $+125\text{ }^{\circ}\text{C}$

### 3. Applications

- Cell phone, PDA, digital camera, printer and notebook
- LCD monitor, TV and set-top box

### 4. Ordering information

Table 1. Ordering information

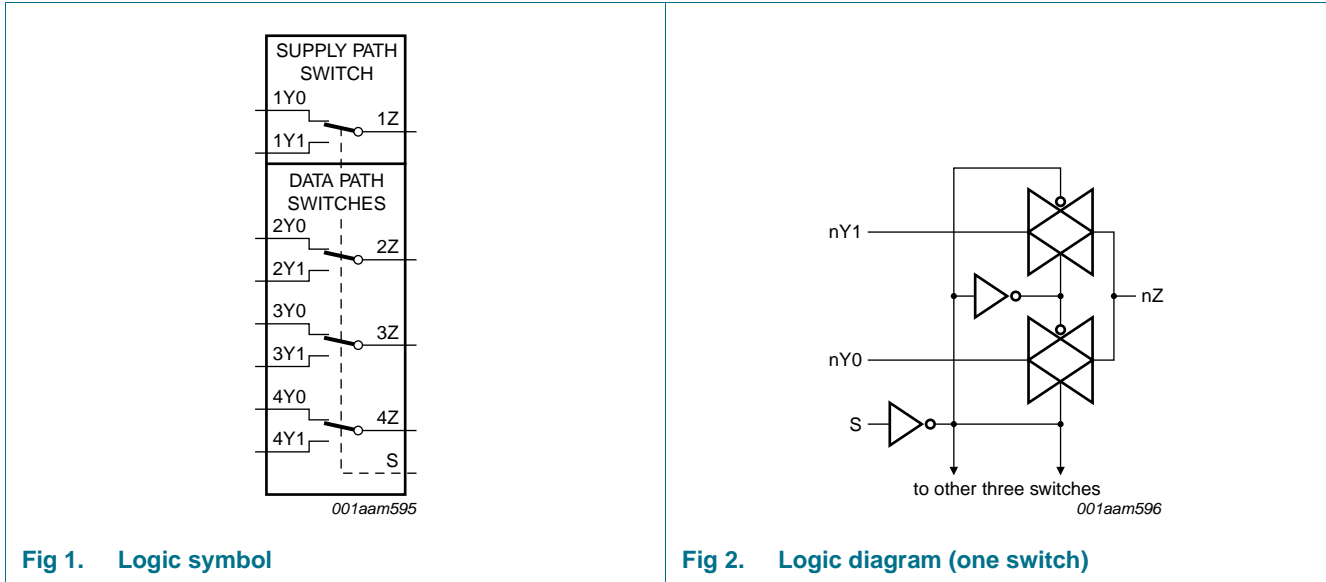
Type number	Package			Version
	Temperature range	Name	Description	
NX3DV2567HR	$-40\text{ }^{\circ}\text{C}$ to $+125\text{ }^{\circ}\text{C}$	HXQFN16U	plastic thermal enhanced extremely thin quad flat package; no leads; 16 terminals; UTLP based; body $3 \times 3 \times 0.5\text{ mm}$	SOT1039-1
NX3DV2567GU	$-40\text{ }^{\circ}\text{C}$ to $+125\text{ }^{\circ}\text{C}$	XQFN16	plastic, extremely thin quad flat package; no leads; 16 terminals; body $1.80 \times 2.60 \times 0.50\text{ mm}$	SOT1161-1

### 5. Marking

Table 2. Marking codes

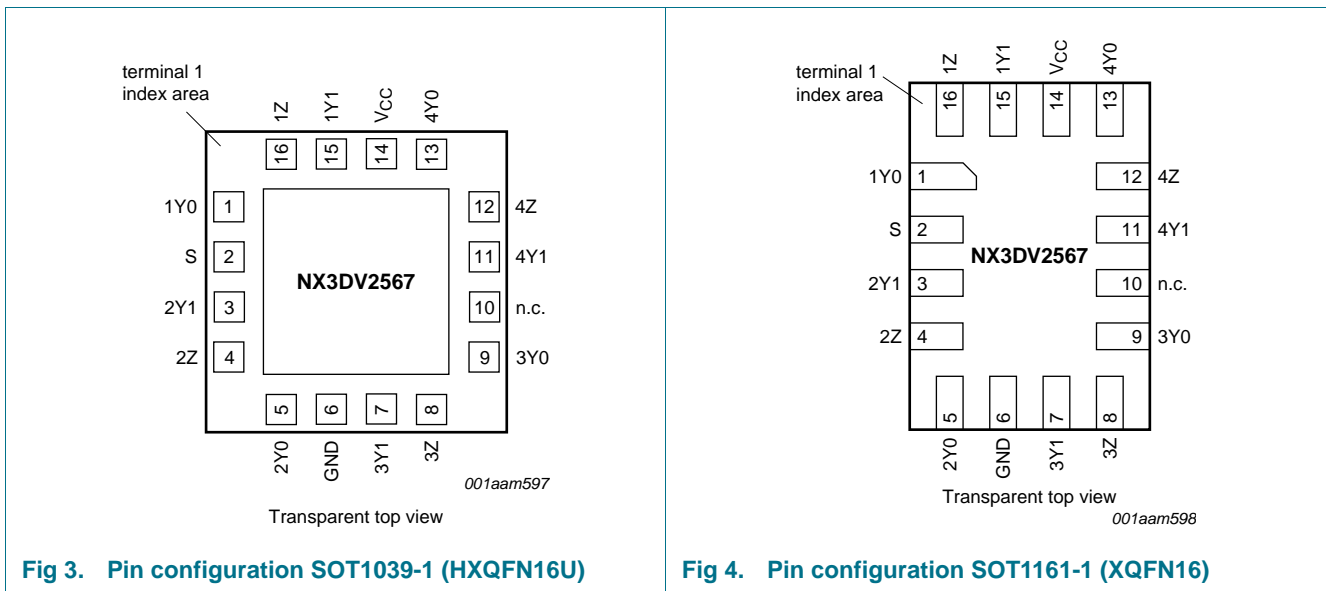
Type number	Marking code
NX3DV2567HR	D60
NX3DV2567GU	D60

## 6. Functional diagram



## 7. Pinning information

### 7.1 Pinning



## 7.2 Pin description

Table 3. Pin description

Symbol	Pin	Description
1Y0	1	independent input or output (supply switch)
2Y0, 3Y0, 4Y0	5, 9, 13	independent input or output (data switch)
S	2	select input
1Y1	15	independent input or output (supply switch)
2Y1, 3Y1, 4Y1	3, 7, 11	independent input or output (data switch)
1Z	16	common output or input (supply switch)
2Z, 3Z, 4Z	4, 8, 12	common output or input (data switch)
GND	6	ground (0 V)
n.c.	10	not connected
V <sub>CC</sub>	14	supply voltage

## 8. Functional description

Table 4. Function table<sup>[1]</sup>

Input S	Channel on
L	nY0
H	nY1

[1] H = HIGH voltage level; L = LOW voltage level.

## 9. Limiting values

Table 5. Limiting values

In accordance with the Absolute Maximum Rating System (IEC 60134). Voltages are referenced to GND (ground = 0 V).

Symbol	Parameter	Conditions	Min	Max	Unit
V <sub>CC</sub>	supply voltage		-0.5	+4.6	V
V <sub>I</sub>	input voltage	select input S	<sup>[1]</sup> -0.5	+4.6	V
V <sub>SW</sub>	switch voltage		<sup>[2]</sup> -0.5	V <sub>CC</sub> + 0.5	V
I <sub>IK</sub>	input clamping current	V <sub>I</sub> < -0.5 V	-50	-	mA
I <sub>SK</sub>	switch clamping current	V <sub>I</sub> < -0.5 V or V <sub>I</sub> > V <sub>CC</sub> + 0.5 V	-	±50	mA
I <sub>SW</sub>	switch current	supply path switch			
		V <sub>SW</sub> > -0.5 V or V <sub>SW</sub> < V <sub>CC</sub> + 0.5 V; source or sink current	-	±350	mA
		V <sub>SW</sub> > -0.5 V or V <sub>SW</sub> < V <sub>CC</sub> + 0.5 V; pulsed at 1 ms duration, < 10 % duty cycle; peak current	-	±500	mA
		data path switch			
		V <sub>SW</sub> > -0.5 V or V <sub>SW</sub> < V <sub>CC</sub> + 0.5 V; source or sink current	-	±128	mA
T <sub>stg</sub>	storage temperature		-65	+150	°C

**Table 5. Limiting values ...continued**

In accordance with the Absolute Maximum Rating System (IEC 60134). Voltages are referenced to GND (ground = 0 V).

Symbol	Parameter	Conditions	Min	Max	Unit
P <sub>tot</sub>	total power dissipation	T <sub>amb</sub> = -40 °C to +125 °C	[3][4] -	250	mW

- [1] The minimum input voltage rating may be exceeded if the input current rating is observed.
- [2] The minimum and maximum switch voltage ratings may be exceeded if the switch clamping current rating is observed but may not exceed 4.6 V.
- [3] For HXQFN16U package: above 135 °C the value of P<sub>tot</sub> derates linearly with 16.9 mW/K.
- [4] For XQFN16 package: above 133 °C the value of P<sub>tot</sub> derates linearly with 14.5 mW/K.

## 10. Recommended operating conditions

**Table 6. Recommended operating conditions**

Symbol	Parameter	Conditions	Min	Max	Unit
V <sub>CC</sub>	supply voltage		1.4	4.3	V
V <sub>I</sub>	input voltage	select input S	0	4.3	V
V <sub>SW</sub>	switch voltage		[1] 0	V <sub>CC</sub>	V
T <sub>amb</sub>	ambient temperature		-40	+125	°C
Δt/ΔV	input transition rise and fall rate	V <sub>CC</sub> = 1.4 V to 4.3 V	[2] -	200	ns/V

- [1] To avoid sinking GND current from terminal nZ when switch current flows in terminal nYn, the voltage drop across the bidirectional switch must not exceed 0.4 V. If the switch current flows into terminal nZ, no GND current will flow from terminal nYn. In this case, there is no limit for the voltage drop across the switch.
- [2] Applies to control signal levels.

## 11. Static characteristics

**Table 7. Static characteristics**

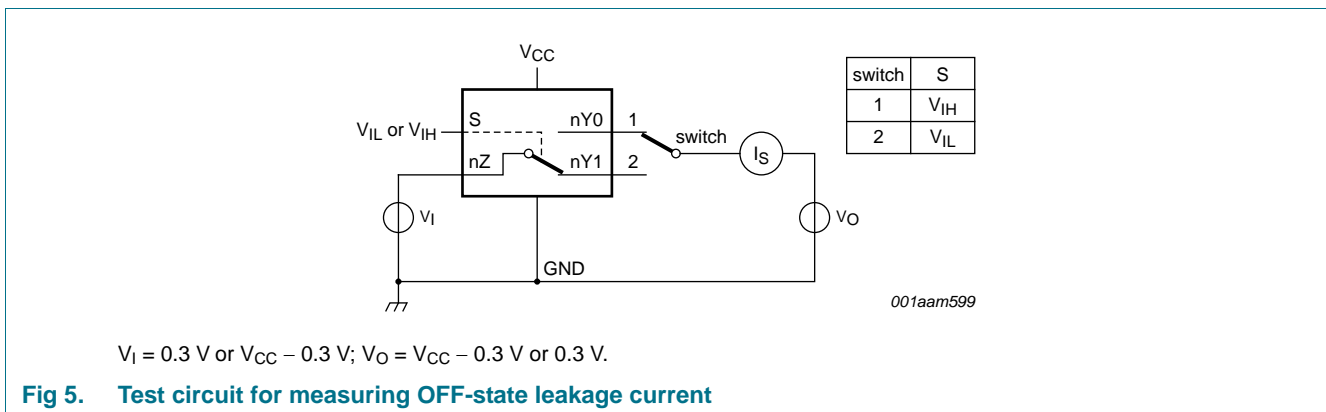
At recommended operating conditions; voltages are referenced to GND (ground 0 V).

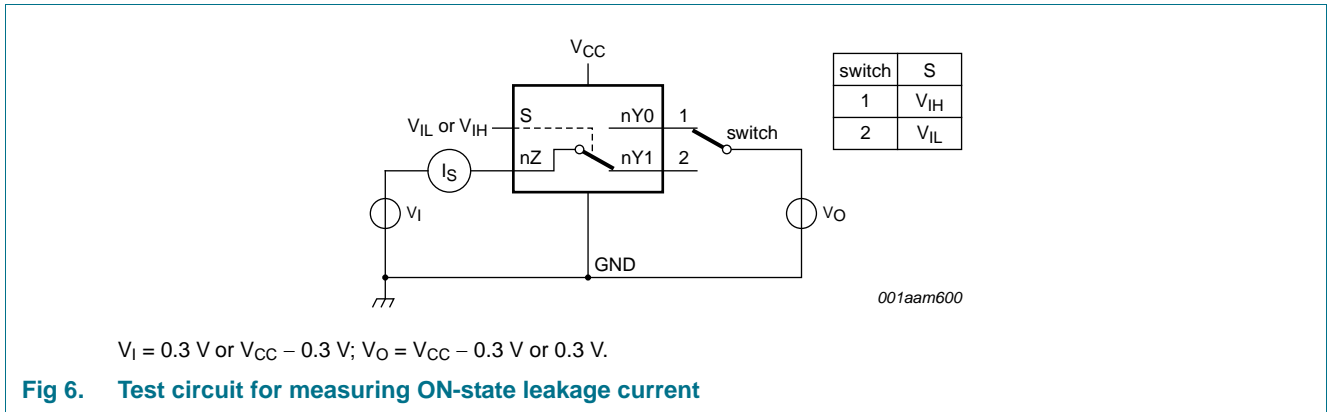
Symbol	Parameter	Conditions	T <sub>amb</sub> = 25 °C			T <sub>amb</sub> = -40 °C to +125 °C			Unit
			Min	Typ	Max	Min	Max (85 °C)	Max (125 °C)	
V <sub>IH</sub>	HIGH-level input voltage	V <sub>CC</sub> = 1.4 V to 1.6 V	0.9	-	-	0.9	-	-	V
		V <sub>CC</sub> = 1.65 V to 1.95 V	0.9	-	-	0.9	-	-	V
		V <sub>CC</sub> = 2.3 V to 2.7 V	1.1	-	-	1.1	-	-	V
		V <sub>CC</sub> = 2.7 V to 3.6 V	1.3	-	-	1.3	-	-	V
		V <sub>CC</sub> = 3.6 V to 4.3 V	1.4	-	-	1.4	-	-	V
V <sub>IL</sub>	LOW-level input voltage	V <sub>CC</sub> = 1.4 V to 1.6 V	-	-	0.3	-	0.3	0.3	V
		V <sub>CC</sub> = 1.65 V to 1.95 V	-	-	0.4	-	0.4	0.3	V
		V <sub>CC</sub> = 2.3 V to 2.7 V	-	-	0.4	-	0.4	0.4	V
		V <sub>CC</sub> = 2.7 V to 3.6 V	-	-	0.5	-	0.5	0.5	V
		V <sub>CC</sub> = 3.6 V to 4.3 V	-	-	0.6	-	0.6	0.6	V
I <sub>I</sub>	input leakage current	select input S; V <sub>I</sub> = GND to 4.3 V; V <sub>CC</sub> = 1.4 V to 4.3 V	-	-	-	-	±0.5	±1	μA

**Table 7. Static characteristics ...continued**  
 At recommended operating conditions; voltages are referenced to GND (ground 0 V).

Symbol	Parameter	Conditions	T <sub>amb</sub> = 25 °C			T <sub>amb</sub> = -40 °C to +125 °C			Unit
			Min	Typ	Max	Min	Max (85 °C)	Max (125 °C)	
I <sub>S(OFF)</sub>	OFF-state leakage current	nY0 and nY1 port; see <a href="#">Figure 5</a>							
		V <sub>CC</sub> = 1.4 V to 3.6 V	-	-	±5	-	±50	±500	nA
		V <sub>CC</sub> = 3.6 V to 4.3 V	-	-	±10	-	±50	±500	nA
I <sub>S(ON)</sub>	ON-state leakage current	nZ port; V <sub>CC</sub> = 1.4 V to 3.6 V; see <a href="#">Figure 6</a>							
		V <sub>CC</sub> = 1.4 V to 3.6 V	-	-	±5	-	±50	±500	nA
		V <sub>CC</sub> = 3.6 V to 4.3 V	-	-	±10	-	±50	±500	nA
I <sub>CC</sub>	supply current	V <sub>I</sub> = V <sub>CC</sub> or GND; V <sub>SW</sub> = GND or V <sub>CC</sub>							
		V <sub>CC</sub> = 3.6 V	-	-	100	-	500	5000	nA
		V <sub>CC</sub> = 4.3 V	-	-	150	-	800	6000	nA
ΔI <sub>CC</sub>	additional supply current	V <sub>SW</sub> = GND or V <sub>CC</sub>							
		V <sub>I</sub> = 2.6 V; V <sub>CC</sub> = 4.3 V	-	2.0	4.0	-	7	7	μA
		V <sub>I</sub> = 2.6 V; V <sub>CC</sub> = 3.6 V	-	0.35	0.7	-	1	1	μA
		V <sub>I</sub> = 1.8 V; V <sub>CC</sub> = 4.3 V	-	7.0	10.0	-	15	15	μA
		V <sub>I</sub> = 1.8 V; V <sub>CC</sub> = 3.6 V	-	2.5	4.0	-	5	5	μA
		V <sub>I</sub> = 1.8 V; V <sub>CC</sub> = 2.5 V	-	50	200	-	300	500	nA
C <sub>I</sub>	input capacitance		-	1	-	-	-	-	pF
C <sub>S(OFF)</sub>	OFF-state capacitance	supply path switch	-	35	-	-	-	-	pF
		data path switch	-	3	-	-	-	-	pF
C <sub>S(ON)</sub>	ON-state capacitance	supply path switch	-	130	-	-	-	-	pF
		data path switch	-	16	-	-	-	-	pF

11.1 Test circuits





### 11.2 ON resistance

**Table 8. ON resistance**

At recommended operating conditions; voltages are referenced to GND (ground = 0 V); for graphs see [Figure 8](#) to [Figure 13](#).

Symbol	Parameter	Conditions	T <sub>amb</sub> = -40 °C to +85 °C			T <sub>amb</sub> = -40 °C to +125 °C		Unit
			Min	Typ <sup>[1]</sup>	Max	Min	Max	
<b>Supply path switch</b>								
R <sub>ON</sub>	ON resistance	V <sub>I</sub> = GND to V <sub>CC</sub> ; I <sub>SW</sub> = 100 mA; see <a href="#">Figure 7</a>						
		V <sub>CC</sub> = 1.8 V; V <sub>SW</sub> = 0 V, 1.8 V	-	0.5	0.75	-	0.85	Ω
		V <sub>CC</sub> = 2.7 V; V <sub>SW</sub> = 0 V, 2.3 V	-	0.45	0.7	-	0.8	Ω
ΔR <sub>ON</sub>	ON resistance mismatch between channels	V <sub>I</sub> = GND to V <sub>CC</sub> ; I <sub>SW</sub> = 100 mA <sup>[2]</sup>						
		V <sub>CC</sub> = 2.7 V; V <sub>SW</sub> = 0 V	-	0.1	-	-	-	Ω
<b>Data path switches</b>								
R <sub>ON</sub>	ON resistance	V <sub>I</sub> = GND to V <sub>CC</sub> ; I <sub>SW</sub> = 20 mA; see <a href="#">Figure 7</a>						
		V <sub>CC</sub> = 1.8 V; V <sub>SW</sub> = 0 V, 1.8 V	-	7.0	10.0	-	11.0	Ω
		V <sub>CC</sub> = 2.7 V; V <sub>SW</sub> = 0 V, 2.3 V	-	6.0	9.5	-	10.5	Ω
ΔR <sub>ON</sub>	ON resistance mismatch between channels	V <sub>I</sub> = GND to V <sub>CC</sub> ; I <sub>SW</sub> = 20 mA <sup>[2]</sup>						
		V <sub>CC</sub> = 2.7 V; V <sub>SW</sub> = 0 V	-	0.2	-	-	-	Ω

[1] Typical values are measured at T<sub>amb</sub> = 25 °C.  
 [2] Measured at identical V<sub>CC</sub>, temperature and input voltage.

11.3 ON resistance test circuit and graphs

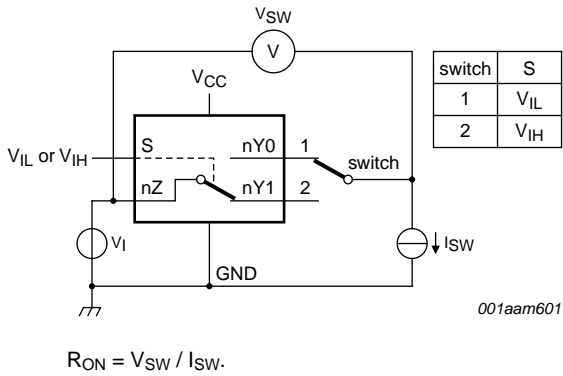
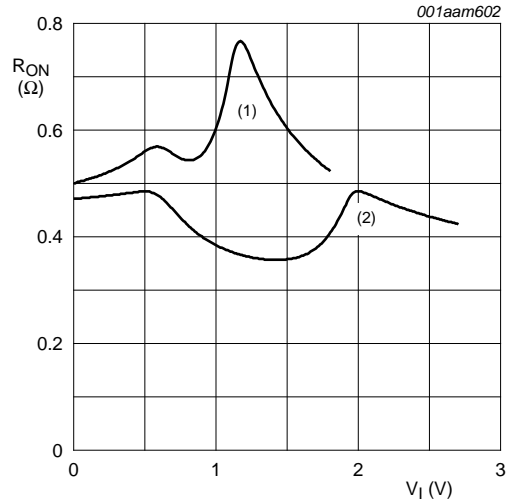
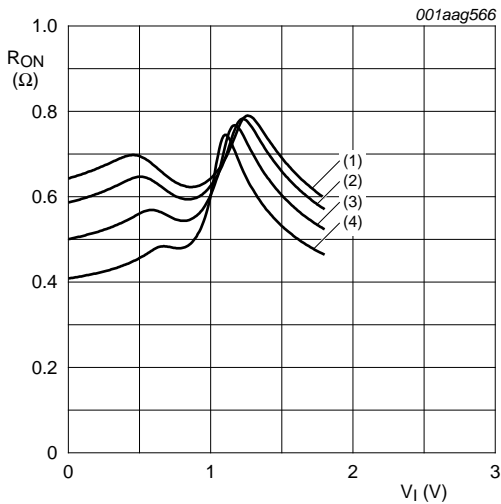


Fig 7. Test circuit for measuring ON resistance



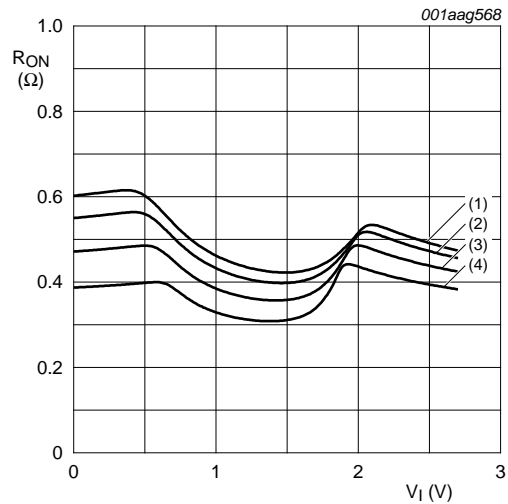
- (1) V<sub>CC</sub> = 1.8 V.
- (2) V<sub>CC</sub> = 2.7 V.

Fig 8. Typical ON resistance as a function of input voltage (supply path switch)



- (1) T<sub>amb</sub> = 125 °C.
- (2) T<sub>amb</sub> = 85 °C.
- (3) T<sub>amb</sub> = 25 °C.
- (4) T<sub>amb</sub> = -40 °C.

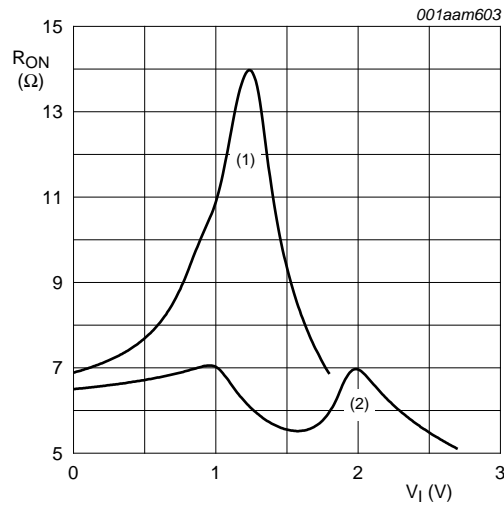
Fig 9. ON resistance as a function of input voltage; V<sub>CC</sub> = 1.8 V (supply path switch)



- (1) T<sub>amb</sub> = 125 °C.
- (2) T<sub>amb</sub> = 85 °C.
- (3) T<sub>amb</sub> = 25 °C.
- (4) T<sub>amb</sub> = -40 °C.

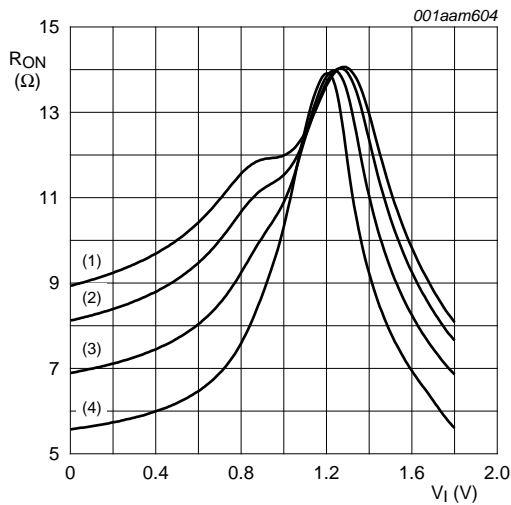
Fig 10. ON resistance as a function of input voltage; V<sub>CC</sub> = 2.7 V (supply path switch)





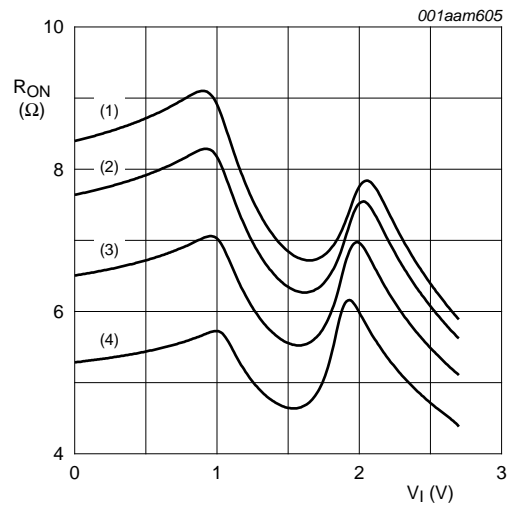
- (1)  $V_{CC} = 1.8 \text{ V}$ .
- (2)  $V_{CC} = 2.7 \text{ V}$ .

**Fig 11. Typical ON resistance as a function of input voltage (data path switch)**



- (1)  $T_{amb} = 125 \text{ }^{\circ}\text{C}$ .
- (2)  $T_{amb} = 85 \text{ }^{\circ}\text{C}$ .
- (3)  $T_{amb} = 25 \text{ }^{\circ}\text{C}$ .
- (4)  $T_{amb} = -40 \text{ }^{\circ}\text{C}$ .

**Fig 12. ON resistance as a function of input voltage;  $V_{CC} = 1.8 \text{ V}$  (data path switch)**



- (1)  $T_{amb} = 125 \text{ }^{\circ}\text{C}$ .
- (2)  $T_{amb} = 85 \text{ }^{\circ}\text{C}$ .
- (3)  $T_{amb} = 25 \text{ }^{\circ}\text{C}$ .
- (4)  $T_{amb} = -40 \text{ }^{\circ}\text{C}$ .

**Fig 13. ON resistance as a function of input voltage;  $V_{CC} = 2.7 \text{ V}$  (data path switch)**

## 12. Dynamic characteristics

**Table 9. Dynamic characteristics**

At recommended operating conditions; voltages are referenced to GND (ground = 0 V); for load circuit see [Figure 16](#).

Symbol	Parameter	Conditions	25 °C			-40 °C to +125 °C			Unit
			Min	Typ <sup>[1]</sup>	Max	Min	Max (85 °C)	Max (125 °C)	
<b>Supply path switch</b>									
t <sub>en</sub>	enable time	S to 1Z or 1Y0, 1Y1; see <a href="#">Figure 14</a>							
		V <sub>CC</sub> = 1.4 V to 1.6 V	-	41	90	-	120	120	ns
		V <sub>CC</sub> = 1.65 V to 1.95 V	-	30	70	-	80	90	ns
		V <sub>CC</sub> = 2.3 V to 2.7 V	-	20	45	-	50	55	ns
		V <sub>CC</sub> = 2.7 V to 3.6 V	-	19	40	-	45	50	ns
		V <sub>CC</sub> = 3.6 V to 4.3 V	-	19	40	-	45	50	ns
t <sub>dis</sub>	disable time	S to 1Z or 1Y0, 1Y1; see <a href="#">Figure 14</a>							
		V <sub>CC</sub> = 1.4 V to 1.6 V	-	24	70	-	80	90	ns
		V <sub>CC</sub> = 1.65 V to 1.95 V	-	15	55	-	60	65	ns
		V <sub>CC</sub> = 2.3 V to 2.7 V	-	9	25	-	30	35	ns
		V <sub>CC</sub> = 2.7 V to 3.6 V	-	8	20	-	25	30	ns
		V <sub>CC</sub> = 3.6 V to 4.3 V	-	8	20	-	25	30	ns
t <sub>b-m</sub>	break-before-make time	see <a href="#">Figure 15</a>							
		V <sub>CC</sub> = 1.4 V to 1.6 V	-	20	-	9	-	-	ns
		V <sub>CC</sub> = 1.65 V to 1.95 V	-	17	-	7	-	-	ns
		V <sub>CC</sub> = 2.3 V to 2.7 V	-	13	-	4	-	-	ns
		V <sub>CC</sub> = 2.7 V to 3.6 V	-	11	-	3	-	-	ns
		V <sub>CC</sub> = 3.6 V to 4.3 V	-	11	-	2	-	-	ns
<b>Data path switch</b>									
t <sub>en</sub>	enable time	S to nZ or nYn; see <a href="#">Figure 14</a>							
		V <sub>CC</sub> = 1.4 V to 1.6 V	-	40	90	-	120	120	ns
		V <sub>CC</sub> = 1.65 V to 1.95 V	-	29	70	-	80	90	ns
		V <sub>CC</sub> = 2.3 V to 2.7 V	-	20	45	-	50	55	ns
		V <sub>CC</sub> = 2.7 V to 3.6 V	-	19	40	-	45	50	ns
		V <sub>CC</sub> = 3.6 V to 4.3 V	-	19	40	-	45	50	ns
t <sub>dis</sub>	disable time	S to nZ or nYn; see <a href="#">Figure 14</a>							
		V <sub>CC</sub> = 1.4 V to 1.6 V	-	21	70	-	80	90	ns
		V <sub>CC</sub> = 1.65 V to 1.95 V	-	13	55	-	60	65	ns
		V <sub>CC</sub> = 2.3 V to 2.7 V	-	8	25	-	30	35	ns
		V <sub>CC</sub> = 2.7 V to 3.6 V	-	7	20	-	25	30	ns
		V <sub>CC</sub> = 3.6 V to 4.3 V	-	7	20	-	25	30	ns

**Table 9. Dynamic characteristics ...continued**

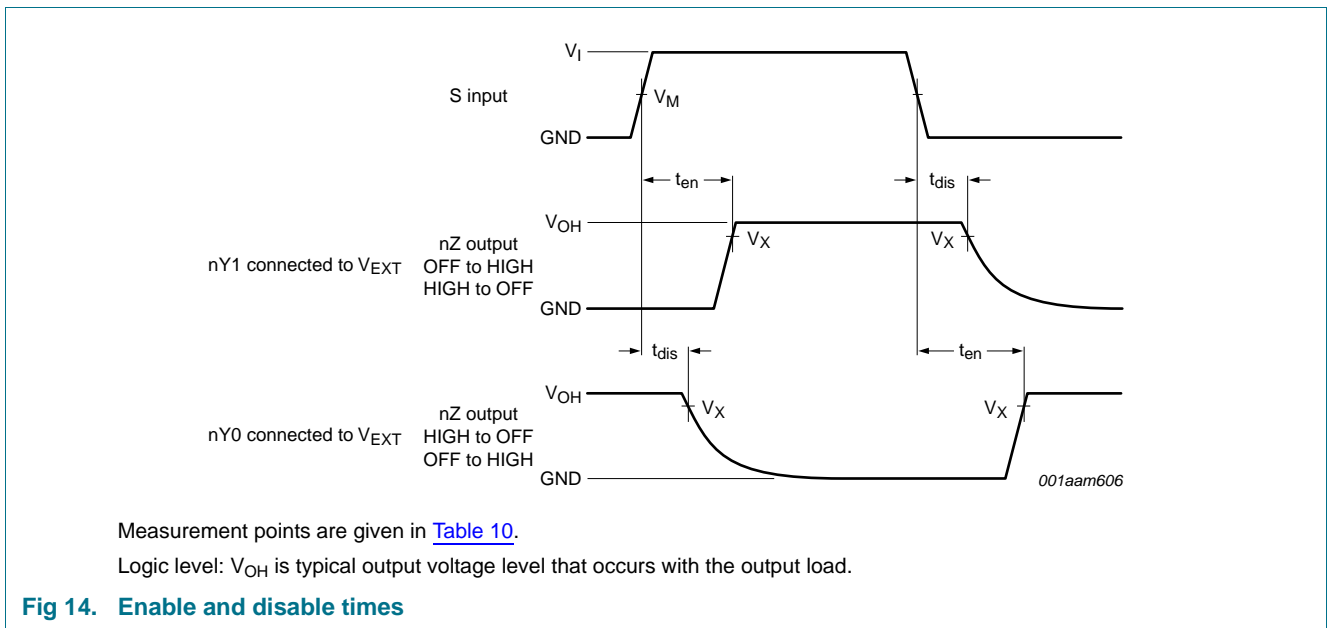
At recommended operating conditions; voltages are referenced to GND (ground = 0 V); for load circuit see [Figure 16](#).

Symbol	Parameter	Conditions	25 °C			-40 °C to +125 °C			Unit
			Min	Typ <sup>[1]</sup>	Max	Min	Max (85 °C)	Max (125 °C)	
$t_{b-m}$	break-before-make time	see <a href="#">Figure 15</a> <sup>[2]</sup>							
		$V_{CC} = 1.4 \text{ V to } 1.6 \text{ V}$	-	23	-	9	-	-	ns
		$V_{CC} = 1.65 \text{ V to } 1.95 \text{ V}$	-	19	-	7	-	-	ns
		$V_{CC} = 2.3 \text{ V to } 2.7 \text{ V}$	-	15	-	4	-	-	ns
		$V_{CC} = 2.7 \text{ V to } 3.6 \text{ V}$	-	13	-	3	-	-	ns
		$V_{CC} = 3.6 \text{ V to } 4.3 \text{ V}$	-	12	-	2	-	-	ns

[1] Typical values are measured at  $T_{amb} = 25 \text{ °C}$  and  $V_{CC} = 1.5 \text{ V}, 1.8 \text{ V}, 2.5 \text{ V}, 3.3 \text{ V}$  and  $4.3 \text{ V}$  respectively.

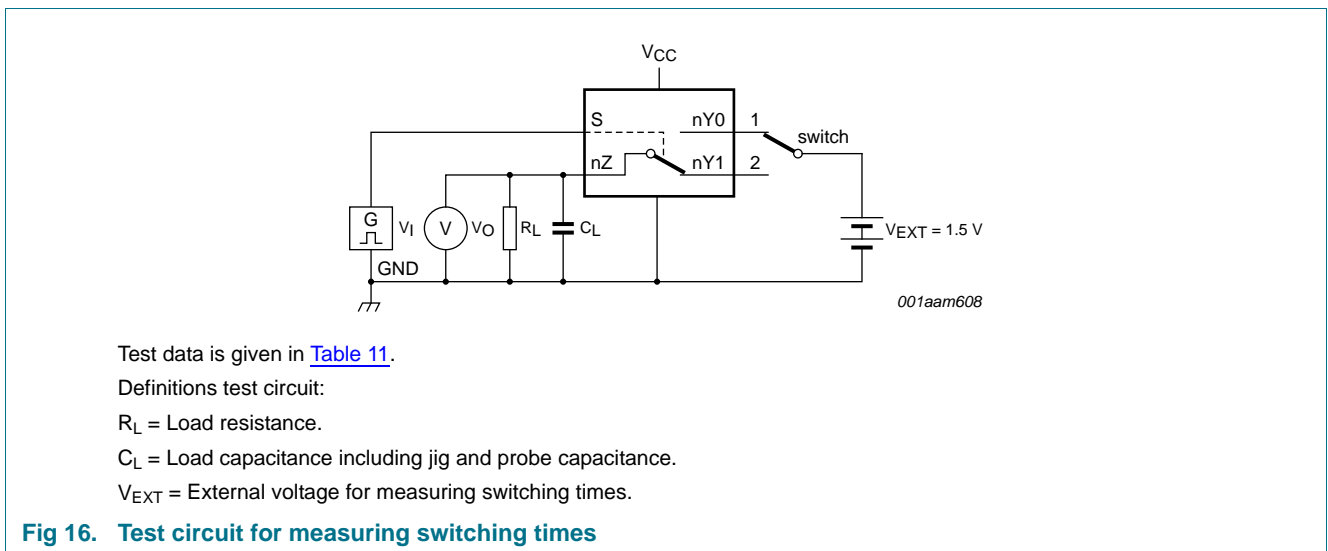
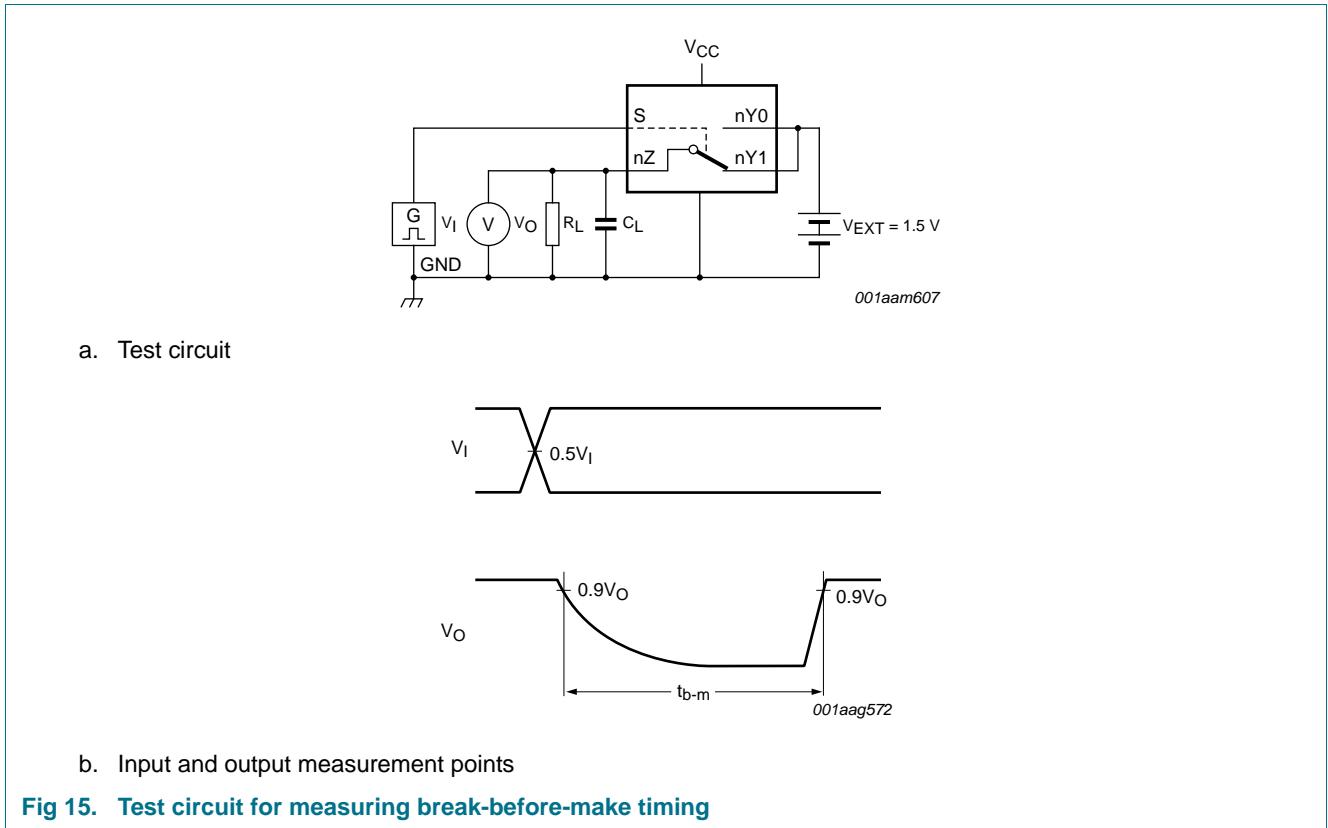
[2] Break-before-make guaranteed by design.

### 12.1 Waveform and test circuits



**Table 10. Measurement points**

Supply voltage	Input	Output
$V_{CC}$	$V_M$	$V_X$
1.4 V to 4.3 V	$0.5V_{CC}$	$0.9V_{OH}$



**Table 11. Test data**

Supply voltage	Input		Load	
$V_{CC}$	$V_I$	$t_r, t_f$	$C_L$	$R_L$
1.4 V to 4.3 V	$V_{CC}$	$\leq 2.5$ ns	35 pF	50 $\Omega$

### 12.2 Additional dynamic characteristics

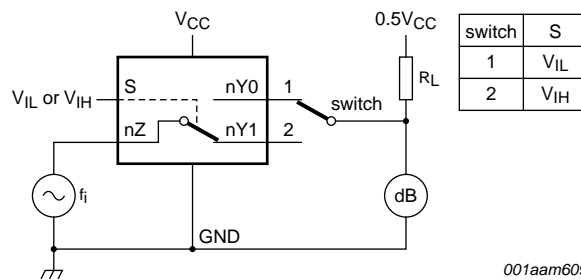
**Table 12. Additional dynamic characteristics**

At recommended operating conditions; voltages are referenced to GND (ground = 0 V);  $V_I = \text{GND}$  or  $V_{CC}$  (unless otherwise specified);  $t_r = t_f \leq 2.5 \text{ ns}$ ;  $T_{amb} = 25 \text{ }^\circ\text{C}$ .

Symbol	Parameter	Conditions	Min	Typ	Max	Unit
<b>Data path switch</b>						
$f_{(-3\text{dB})}$	-3 dB frequency response	$R_L = 50 \text{ } \Omega$ ; see <a href="#">Figure 17</a> $V_{CC} = 2.7 \text{ V}$ to $3.6 \text{ V}$	[1]	-	330	MHz
$\alpha_{\text{iso}}$	isolation (OFF-state)	$f_i = 10 \text{ MHz}$ ; $R_L = 50 \text{ } \Omega$ ; see <a href="#">Figure 18</a> $V_{CC} = 2.7 \text{ V}$ to $3.6 \text{ V}$	[1]	-	-60	dB
Xtalk	crosstalk	between switches; $f_i = 10 \text{ MHz}$ ; $R_L = 50 \text{ } \Omega$ ; see <a href="#">Figure 19</a> $V_{CC} = 2.7 \text{ V}$ to $3.6 \text{ V}$	[1]	-	-60	dB
$Q_{\text{inj}}$	charge injection	$f_i = 1 \text{ MHz}$ ; $C_L = 0.1 \text{ nF}$ ; $R_L = 1 \text{ M}\Omega$ ; $V_{\text{gen}} = 0 \text{ V}$ ; $R_{\text{gen}} = 0 \text{ } \Omega$ ; see <a href="#">Figure 20</a> $V_{CC} = 2.7 \text{ V}$ to $3.6 \text{ V}$	-	10	-	pC

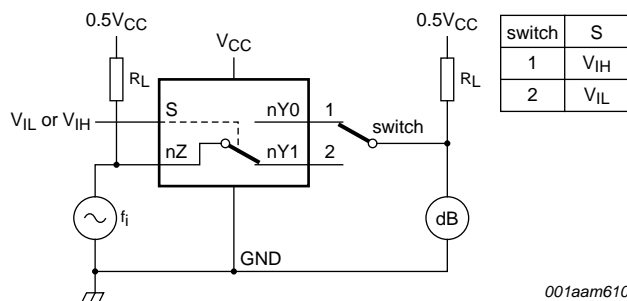
[1]  $f_i$  is biased at  $0.5V_{CC}$ .

### 12.3 Test circuits



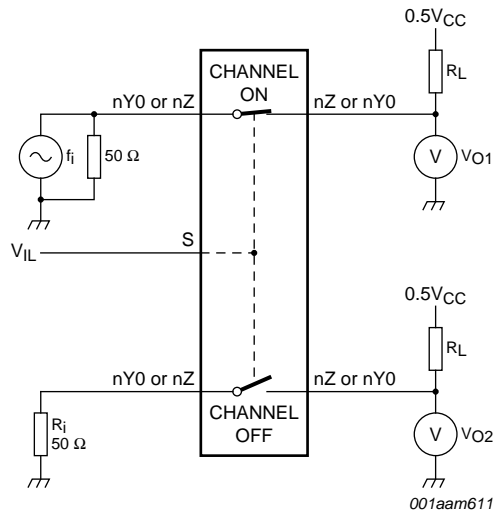
Adjust  $f_i$  voltage to obtain 0 dBm level at output. Increase  $f_i$  frequency until dB meter reads -3 dB.

**Fig 17. Test circuit for measuring the frequency response when channel is in ON-state**



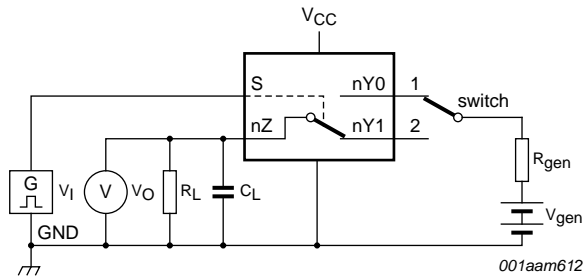
Adjust  $f_i$  voltage to obtain 0 dBm level at input.

**Fig 18. Test circuit for measuring isolation (OFF-state)**

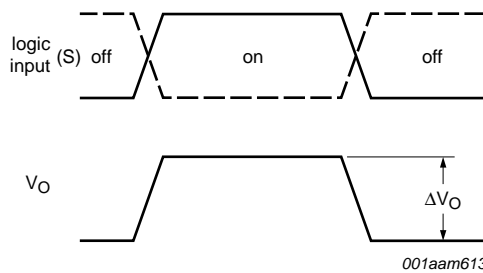


$20 \log_{10} (V_{O2} / V_{O1})$  or  $20 \log_{10} (V_{O1} / V_{O2})$ .

**Fig 19. Test circuit for measuring crosstalk between switches**



a. Test circuit



b. Input and output pulse definitions

Definition:  $Q_{inj} = \Delta V_O \times C_L$ .

$\Delta V_O$  = output voltage variation.

$R_{gen}$  = generator resistance.

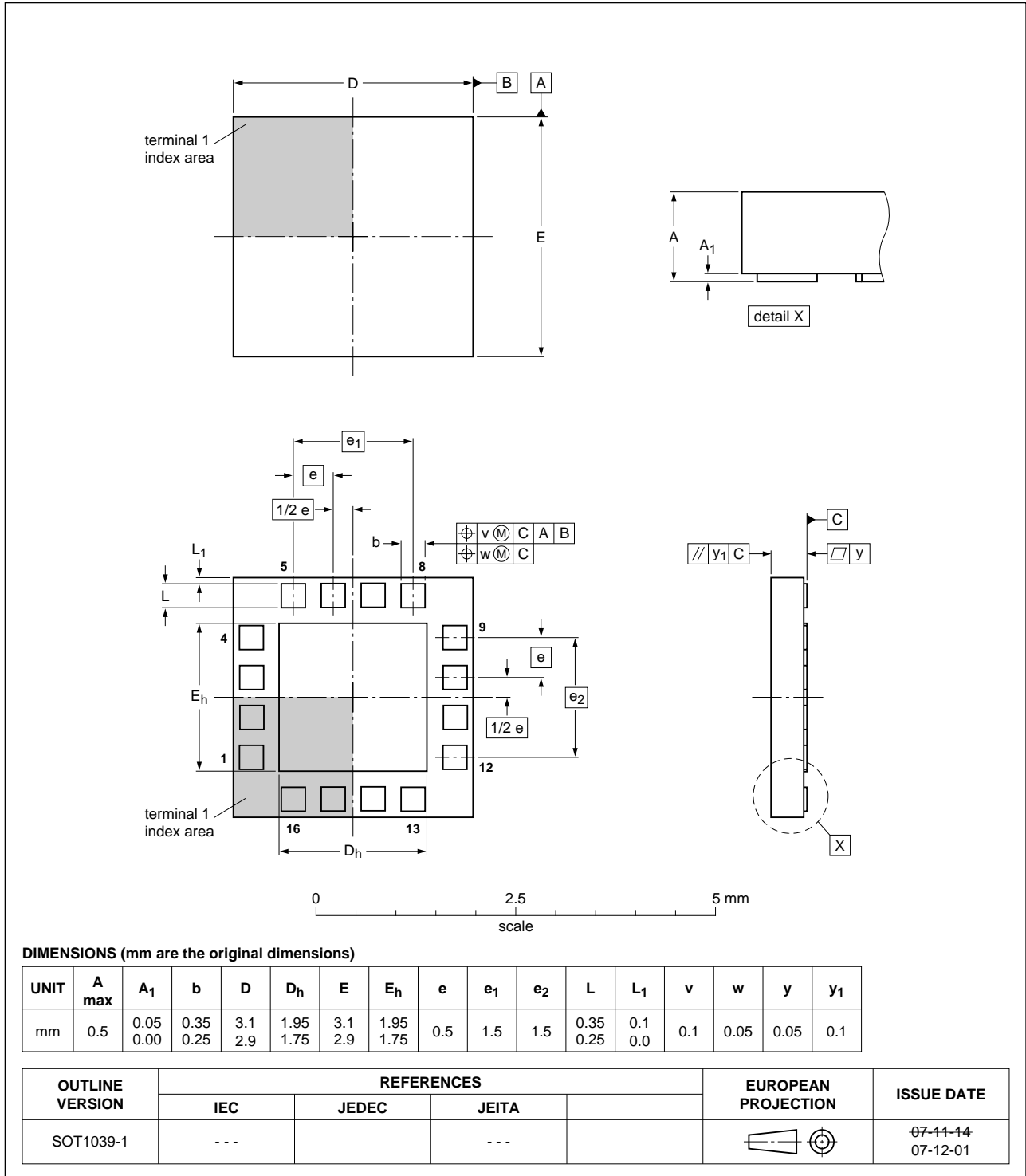
$V_{gen}$  = generator voltage.

**Fig 20. Test circuit for measuring charge injection**

**13. Package outline**

**HXQFN16U: plastic thermal enhanced extremely thin quad flat package; no leads; 16 terminals; UTLP based; body 3 x 3 x 0.5 mm**

**SOT1039-1**



**Fig 21. Package outline SOT1039-1 (HXQFN16U)**

XQFN16: plastic, extremely thin quad flat package; no leads; 16 terminals; body 1.80 x 2.60 x 0.50 mm

SOT1161-1

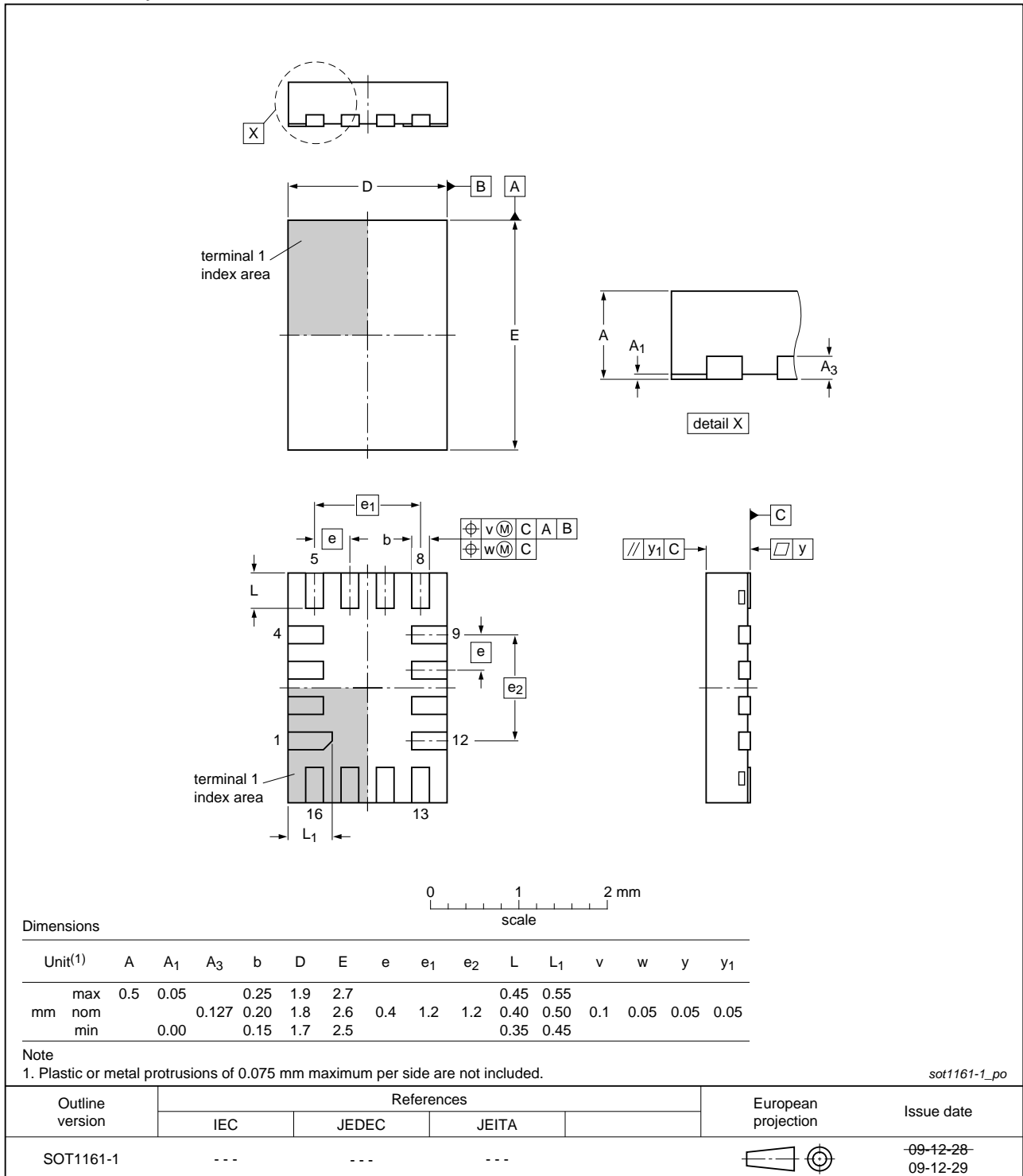


Fig 22. Package outline SOT1161-1 (XQFN16)



## 14. Abbreviations

Table 13. Abbreviations

Acronym	Description
CDM	Charged Device Model
CMOS	Complementary Metal-Oxide Semiconductor
ESD	ElectroStatic Discharge
HBM	Human Body Model
MM	Machine Model
PDA	Personal Digital Assistant
TTL	Transistor-Transistor Logic

## 15. Revision history

Table 14. Revision history

Document ID	Release date	Data sheet status	Change notice	Supersedes
NX3DV2567 v.2	20111109	Product data sheet	-	NX3DV2567 v.1
Modifications:	<ul style="list-style-type: none"><li>• Legal pages updated.</li></ul>			
NX3DV2567 v.1	20100928	Product data sheet	-	-

## 16. Legal information

### 16.1 Data sheet status

Document status <sup>[1][2]</sup>	Product status <sup>[3]</sup>	Definition
Objective [short] data sheet	Development	This document contains data from the objective specification for product development.
Preliminary [short] data sheet	Qualification	This document contains data from the preliminary specification.
Product [short] data sheet	Production	This document contains the product specification.

[1] Please consult the most recently issued document before initiating or completing a design.

[2] The term 'short data sheet' is explained in section "Definitions".

[3] The product status of device(s) described in this document may have changed since this document was published and may differ in case of multiple devices. The latest product status information is available on the Internet at URL <http://www.nxp.com>.

### 16.2 Definitions

**Draft** — The document is a draft version only. The content is still under internal review and subject to formal approval, which may result in modifications or additions. NXP Semiconductors does not give any representations or warranties as to the accuracy or completeness of information included herein and shall have no liability for the consequences of use of such information.

**Short data sheet** — A short data sheet is an extract from a full data sheet with the same product type number(s) and title. A short data sheet is intended for quick reference only and should not be relied upon to contain detailed and full information. For detailed and full information see the relevant full data sheet, which is available on request via the local NXP Semiconductors sales office. In case of any inconsistency or conflict with the short data sheet, the full data sheet shall prevail.

**Product specification** — The information and data provided in a Product data sheet shall define the specification of the product as agreed between NXP Semiconductors and its customer, unless NXP Semiconductors and customer have explicitly agreed otherwise in writing. In no event however, shall an agreement be valid in which the NXP Semiconductors product is deemed to offer functions and qualities beyond those described in the Product data sheet.

### 16.3 Disclaimers

**Limited warranty and liability** — Information in this document is believed to be accurate and reliable. However, NXP Semiconductors does not give any representations or warranties, expressed or implied, as to the accuracy or completeness of such information and shall have no liability for the consequences of use of such information.

In no event shall NXP Semiconductors be liable for any indirect, incidental, punitive, special or consequential damages (including - without limitation - lost profits, lost savings, business interruption, costs related to the removal or replacement of any products or rework charges) whether or not such damages are based on tort (including negligence), warranty, breach of contract or any other legal theory.

Notwithstanding any damages that customer might incur for any reason whatsoever, NXP Semiconductors' aggregate and cumulative liability towards customer for the products described herein shall be limited in accordance with the *Terms and conditions of commercial sale* of NXP Semiconductors.

**Right to make changes** — NXP Semiconductors reserves the right to make changes to information published in this document, including without limitation specifications and product descriptions, at any time and without notice. This document supersedes and replaces all information supplied prior to the publication hereof.

**Suitability for use** — NXP Semiconductors products are not designed, authorized or warranted to be suitable for use in life support, life-critical or safety-critical systems or equipment, nor in applications where failure or

malfunction of an NXP Semiconductors product can reasonably be expected to result in personal injury, death or severe property or environmental damage. NXP Semiconductors accepts no liability for inclusion and/or use of NXP Semiconductors products in such equipment or applications and therefore such inclusion and/or use is at the customer's own risk.

**Applications** — Applications that are described herein for any of these products are for illustrative purposes only. NXP Semiconductors makes no representation or warranty that such applications will be suitable for the specified use without further testing or modification.

Customers are responsible for the design and operation of their applications and products using NXP Semiconductors products, and NXP Semiconductors accepts no liability for any assistance with applications or customer product design. It is customer's sole responsibility to determine whether the NXP Semiconductors product is suitable and fit for the customer's applications and products planned, as well as for the planned application and use of customer's third party customer(s). Customers should provide appropriate design and operating safeguards to minimize the risks associated with their applications and products.

NXP Semiconductors does not accept any liability related to any default, damage, costs or problem which is based on any weakness or default in the customer's applications or products, or the application or use by customer's third party customer(s). Customer is responsible for doing all necessary testing for the customer's applications and products using NXP Semiconductors products in order to avoid a default of the applications and the products or of the application or use by customer's third party customer(s). NXP does not accept any liability in this respect.

**Limiting values** — Stress above one or more limiting values (as defined in the Absolute Maximum Ratings System of IEC 60134) will cause permanent damage to the device. Limiting values are stress ratings only and (proper) operation of the device at these or any other conditions above those given in the Recommended operating conditions section (if present) or the Characteristics sections of this document is not warranted. Constant or repeated exposure to limiting values will permanently and irreversibly affect the quality and reliability of the device.

**Terms and conditions of commercial sale** — NXP Semiconductors products are sold subject to the general terms and conditions of commercial sale, as published at <http://www.nxp.com/profile/terms>, unless otherwise agreed in a valid written individual agreement. In case an individual agreement is concluded only the terms and conditions of the respective agreement shall apply. NXP Semiconductors hereby expressly objects to applying the customer's general terms and conditions with regard to the purchase of NXP Semiconductors products by customer.

**No offer to sell or license** — Nothing in this document may be interpreted or construed as an offer to sell products that is open for acceptance or the grant, conveyance or implication of any license under any copyrights, patents or other industrial or intellectual property rights.

**Export control** — This document as well as the item(s) described herein may be subject to export control regulations. Export might require a prior authorization from competent authorities.

**Non-automotive qualified products** — Unless this data sheet expressly states that this specific NXP Semiconductors product is automotive qualified, the product is not suitable for automotive use. It is neither qualified nor tested in accordance with automotive testing or application requirements. NXP Semiconductors accepts no liability for inclusion and/or use of non-automotive qualified products in automotive equipment or applications.

In the event that customer uses the product for design-in and use in automotive applications to automotive specifications and standards, customer (a) shall use the product without NXP Semiconductors' warranty of the product for such automotive applications, use and specifications, and (b) whenever customer uses the product for automotive applications beyond

NXP Semiconductors' specifications such use shall be solely at customer's own risk, and (c) customer fully indemnifies NXP Semiconductors for any liability, damages or failed product claims resulting from customer design and use of the product for automotive applications beyond NXP Semiconductors' standard warranty and NXP Semiconductors' product specifications.

## 16.4 Trademarks

Notice: All referenced brands, product names, service names and trademarks are the property of their respective owners.

## 17. Contact information

For more information, please visit: <http://www.nxp.com>

For sales office addresses, please send an email to: [salesaddresses@nxp.com](mailto:salesaddresses@nxp.com)

**18. Contents**

**1 General description . . . . . 1**

**2 Features and benefits . . . . . 1**

**3 Applications . . . . . 2**

**4 Ordering information . . . . . 2**

**5 Marking . . . . . 2**

**6 Functional diagram . . . . . 3**

**7 Pinning information . . . . . 3**

7.1 Pinning . . . . . 3

7.2 Pin description . . . . . 4

**8 Functional description . . . . . 4**

**9 Limiting values . . . . . 4**

**10 Recommended operating conditions . . . . . 5**

**11 Static characteristics . . . . . 5**

11.1 Test circuits . . . . . 6

11.2 ON resistance . . . . . 7

11.3 ON resistance test circuit and graphs . . . . . 8

**12 Dynamic characteristics . . . . . 10**

12.1 Waveform and test circuits . . . . . 11

12.2 Additional dynamic characteristics . . . . . 13

12.3 Test circuits . . . . . 13

**13 Package outline . . . . . 15**

**14 Abbreviations . . . . . 17**

**15 Revision history . . . . . 17**

**16 Legal information . . . . . 18**

16.1 Data sheet status . . . . . 18

16.2 Definitions . . . . . 18

16.3 Disclaimers . . . . . 18

16.4 Trademarks . . . . . 19

**17 Contact information . . . . . 19**

**18 Contents . . . . . 20**

Please be aware that important notices concerning this document and the product(s) described herein, have been included in section 'Legal information'.

## X-ON Electronics

Largest Supplier of Electrical and Electronic Components

*Click to view similar products for [Analog Switch ICs category](#):*

*Click to view products by [NXP manufacturer](#):*

Other Similar products are found below :

[DG9233EDY-GE3](#) [NLAS4684FCTCG](#) [NLAS5223BLMNR2G](#) [NLV74HC4066ADR2G](#) [MC74HC4067ADTG](#) [NLX2G66DMUTCG](#)  
[NS5A4684SMNTAG](#) [732480R](#) [733995E](#) [425541DB](#) [425528R](#) [099044FB](#) [FSA221UMX](#) [MAX4888ETI+T](#) [MAX4968CEXB+](#)  
[MAX4760EWX+T](#) [NLAS3799BMNR2G](#) [NLAS5123MNR2G](#) [NLAS5213AMUTAG](#) [NLAS7222AMTR2G](#) [MAX14807ECB+](#)  
[MAX4968ECM+](#) [NLV14066BDG](#) [LC78615E-01US-H](#) [PI5A4599BCEX](#) [PI5A3157BZUEX](#) [ADG613SRUZ-EP](#) [NLAS4717EPFCT1G](#)  
[PI5A3167CCEX](#) [MAX4744ELB+T](#) [MAX4802ACXZ+](#) [DG4051EEN-T1-GE4](#) [SLAS3158MNR2G](#) [PI5A3157BC6EX](#) [PI5A392AQE](#)  
[MAX4744HELB+T](#) [PI5A4157ZUEX](#) [MC74HC4067ADTR2G](#) [PI5A4158ZAEX](#) [PI5A3166TAEX](#) [MAX4901EBL+T](#) [MAX14510EEVB+T](#)  
[PI3A3899ZTEX](#) [MAX4996ETG+T](#) [MAX4889AETO+T](#) [MAX14508EEVB+T](#) [MAX4701ETE+T](#) [MAX4996LETG+T](#) [NLX2G66FCTAG](#)  
[HI1-5051-2](#)