

Page 2

Target MCU: LPC1115

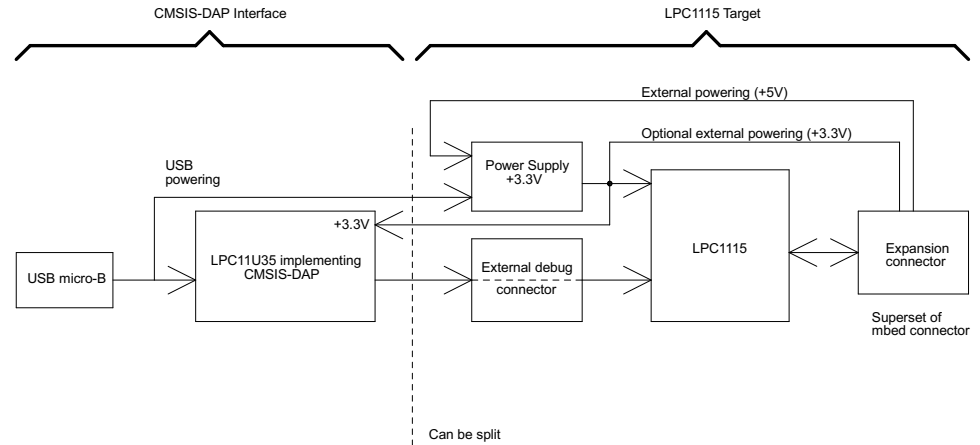
Page 3

LPCXpresso expansion connector

Page 4

CMSIS-DAP interface


Design Overview



NXP board number: OM13087

UL = UnLoaded = normally not mounted component.

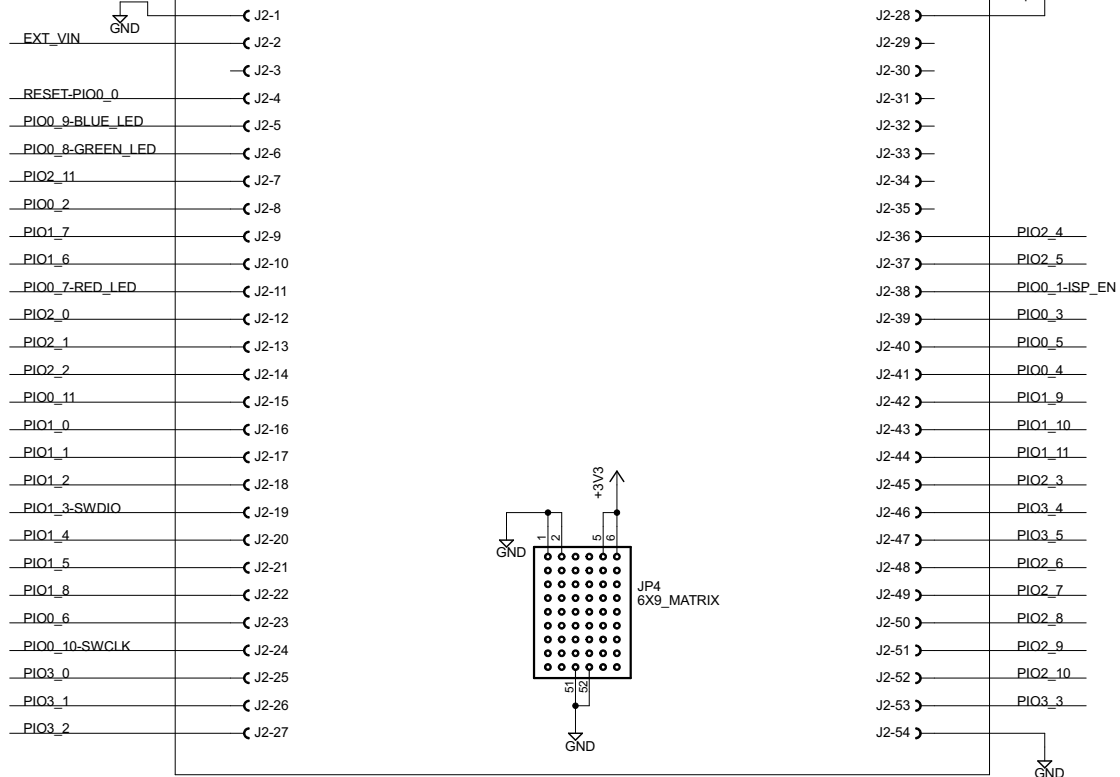
Default jumper settings are indicated in the schematic. However, always check jumper positions on actual boards since there is no guarantee that all jumpers are in default place.

		(C) Embedded Artists AB	
		TITLE: LPCXpresso1115 with CMSIS-DAP rev A	
Document Number:			
Date: 2016-07-16 14:59:35		Sheet: 1/4	

↑
CMSIS-DAP side

Expansion Connector (superset of mbed pinning)

Dual row holes (2x27), 100 mil spacing



mbed	LPCXpresso
GND	GND
VIN (4.5-14V)	VIN (4.5-5.5V)
VB (battery supply)	not used
nR (reset)	PIO0_0 RESET_N
SPI1-MOSI	PIO0_9 MOSI
SPI1-MISO	PIO0_8 MISO
SPI1-SCK	PIO2_11 SCK
GPIO	PIO0_2 SSEL
UART1-TX / I2C1-SDA	PIO1_7 TXD
UART1-RX / I2C1-SCL	PIO1_6 RXD
SPI2-MOSI	PIO0_7
SPI2-MISO	PIO2_0
SPI2-SCK / UART2-TX	PIO2_1
UART2-RX	PIO2_2
AIN0	PIO0_11 AD0
AIN1	PIO1_0 AD1
AIN2	PIO1_1 AD2
AIN3 / AOUT	PIO1_2 AD3
AIN4	PIO1_3 AD4/SWDIO
AIN5	PIO1_4 AD5
	PIO1_5
	PIO1_8
	PIO0_6
	PIO0_10 SWCLK
	PIO3_0
	PIO3_1
	PIO3_2

LPCXpresso	mbed
VOUT (+3.3V out) if self powered, else +3.3V input	VOUT (3.3V out)
not used	VU (5.0V USB out)
not used	IF+
not used	IF-
not used	RD- (Ethernet)
not used	RD+ (Ethernet)
not used	TD- (Ethernet)
not used	TD+ (Ethernet)
PIO2_4	D- (USB)
PIO2_5	D+ (USB)
PIO0_1	CAN-RD
PIO0_3	CAN-TD
PIO0_5 I2C-SDA	UART3-TX / I2C2-SDA
PIO0_4 I2C-SCL	UART3-RX / I2C2-SCL
PIO1_9	PWMOUT0
PIO1_10	PWMOUT1
PIO1_11	PWMOUT2
PIO2_3	PWMOUT3
PIO2_4	PWMOUT4
PIO2_5	PWMOUT5
PIO2_6	
PIO2_7	
PIO2_8	
PIO2_9	
PIO2_10	
PIO3_3	
GND	



(C) Embedded Artists AB

TITLE: LPCXpresso1115 with CMSIS-DAP rev A

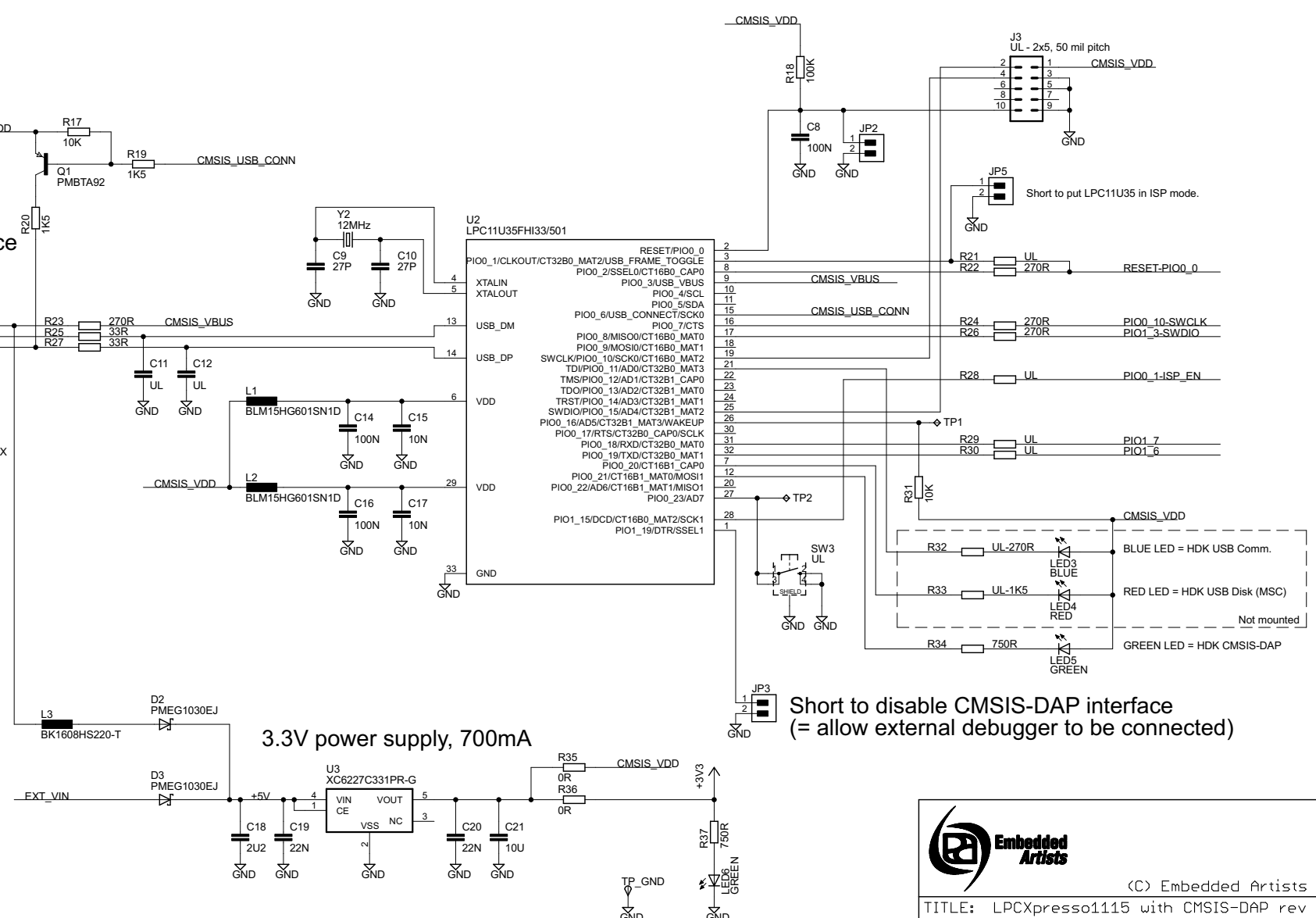
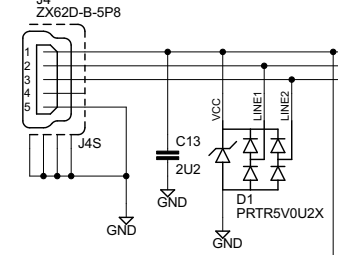
Document Number:


Date: 2016-07-16 14:59:35

Sheet: 3/4

CMSIS-DAP Debug Interface

CMSIS-DAP USB interface (micro-B connector)





(C) Embedded Artists AB

TITLE: LPCxpresso1115 with CMSIS-DAP rev A

Document Number:

Date: 2016-07-16 14:59:35 Sheet: 4/4

X-ON Electronics

Largest Supplier of Electrical and Electronic Components

Click to view similar products for [Development Boards & Kits - ARM category](#):

Click to view products by [NXP manufacturer](#):

Other Similar products are found below :

[SAFETI-HSK-RM48](#) [PICOHOBBITFL](#) [CC-ACC-MMK-2443](#) [TWR-MC-FRDMKE02Z](#) [EVALSPEAR320CPU](#) [EVB-SCMIMX6SX](#)
[MAX32600-KIT#](#) [TMDX570LS04HDK](#) [TXSD-SV70](#) [OM13080UL](#) [EVAL-ADUC7120QSPZ](#) [OM13082UL](#) [TXSD-SV71](#)
[YGRPEACHNORMAL](#) [OM13076UL](#) [PICODWARFFL](#) [YR8A77450HA02BG](#) [3580](#) [32F3348DISCOVERY](#) [ATTINY1607](#) [CURIOSITY](#)
[NANO](#) [PIC16F15376](#) [CURIOSITY NANO BOARD](#) [PIC18F47Q10](#) [CURIOSITY NANO](#) [VISIONSTK-6ULL V.2.0](#) [80-001428](#) [DEV-17717](#)
[EAK00360](#) [YR0K77210B000BE](#) [RTK7EKA2L1S00001BE](#) [MAX32651-EVKIT#](#) [SLN-VIZN-IOT](#) [LV18F V6 DEVELOPMENT SYSTEM](#)
[READY FOR AVR BOARD](#) [READY FOR PIC BOARD](#) [READY FOR PIC \(DIP28\)](#) [EVB-VF522R3](#) [AVRPLC16 V6 PLC SYSTEM](#)
[MIKROLAB FOR AVR XL](#) [MIKROLAB FOR PIC L](#) [MINI-AT BOARD - 5V](#) [MINI-M4 FOR STELLARIS](#) [MOD-09.Z](#) [BUGGY +](#)
[CLICKER 2 FOR PIC32MX + BLUETOOT](#) [1410](#) [LETS MAKE PROJECT PROGRAM. RELAY PIC](#) [LETS MAKE - VOICE](#)
[CONTROLLED LIGHTS](#) [LPC-H2294](#) [DSPIC-READY2 BOARD](#) [DSPIC-READY3 BOARD](#) [MIKROBOARD FOR ARM 64-PIN](#)
[MIKROLAB FOR AVR](#)