

# UM10787

User manual for the I<sup>2</sup>C-bus RTC PCF85363A demo board  
OM13514

Rev. 1 — 10 July 2014

User manual

## Document information

Info	Content
<b>Keywords</b>	PCF85363, OM13514, demo board, how to get started, I <sup>2</sup> C-bus, RTC, Real-Time Clock, tuning, time stamp, battery switch, elapsed time counter, RAM, OM13518, USB I <sup>2</sup> C Dongle
<b>Abstract</b>	User manual for the RTC I <sup>2</sup> C-bus demo board OM13514 which contains the PCF85363A



**Revision history**

Rev	Date	Description
v.1	20140710	new user manual, first revision

**Contact information**

For more information, please visit: <http://www.nxp.com>

For sales office addresses, please send an email to: [salesaddresses@nxp.com](mailto:salesaddresses@nxp.com)

## 1. Introduction

The PCF85363A is part of the PCF85x63 family of CMOS Real-Time Clocks (RTCs optimized for low power consumption). Different features sets are available.

The OM13514 is the ideal evaluation and demo board to be used in the design phase of any project; just power and I<sup>2</sup>C-bus must be connected.

Separate dedicated demo boards and user manuals are available for the RTCs:

**Table 1. Demo board overview**

Demo board	Documentation	Related products
OM11059A	UM10698	PCF85063ATL and PCF85063TP
OM11059	UM10699	PCF85063BTL
OM13515	UM10788	PCF85063AT
OM13510	UM10766	PCF85263A
OM13518	UM10789	USB I <sup>2</sup> C dongle

## 2. Key features

### 2.1 Demo board OM13514

The RTC PCF85363ATL with I<sup>2</sup>C-bus is mounted together with a quartz crystal, a lithium battery plus the blocking capacitor, buffering the supply voltage. A push button allows activating the time stamp. All signals are accessible on a line of pins, overcoming the difficulties to contact the tiny package directly.

Demo board features:

- Straight forward evaluation of the new tiny RTC PCF85363 with
  - Battery back-up
  - 2 alarm facilities with 2 configurable interrupt outputs
  - Time stamp
  - 64 Byte of RAM
  - Tracking time or stopwatch, with 1/100 s resolution
- Easy access to all pins despite of the tiny package:
  - Connector P1 100mil (2.54 mm) pin pitch
  - Access to all pins
- Battery on board for autonomous operation
  - Can be switched off by placing Jumper J3 to V<sub>DD</sub>
- Push bottom SW-TS to trigger time stamp
- Easy measurements of power consumption
  - Jumper J2 to open, to link in a  $\mu$ A-meter
- A scratch pad area is available to host some custom circuitry.

## 2.2 Real time clock PCF85363A

- Very small form factor: leadless package (DFN2626-10 for PCF85363ATL) just  $2.6 \times 2.6 \times 0.5$  mm, TSSOP8 and TSSOP10 packages will be released too.
- Counting: 100<sup>th</sup> seconds, seconds, minutes, hours, days, week days, month and years
- Three timestamp register sets
- Battery back-up circuit, accepting battery voltage larger or smaller than  $V_{DD}$
- 64 byte battery backed-up RAM
- The oscillator is based on a 32.768 kHz quartz crystal
- Stop-watch mode for elapsed time counting. From 0 to 999'999 hours with a resolution of 1/100 second.
- Two independent alarms
- WatchDog timer
- Two independent interrupt generators/outputs
- Generates an interrupt automatically every second or every minute, independent of alarm facility
- Programmable offset register for frequency adjustment to compensate the quartz tolerance

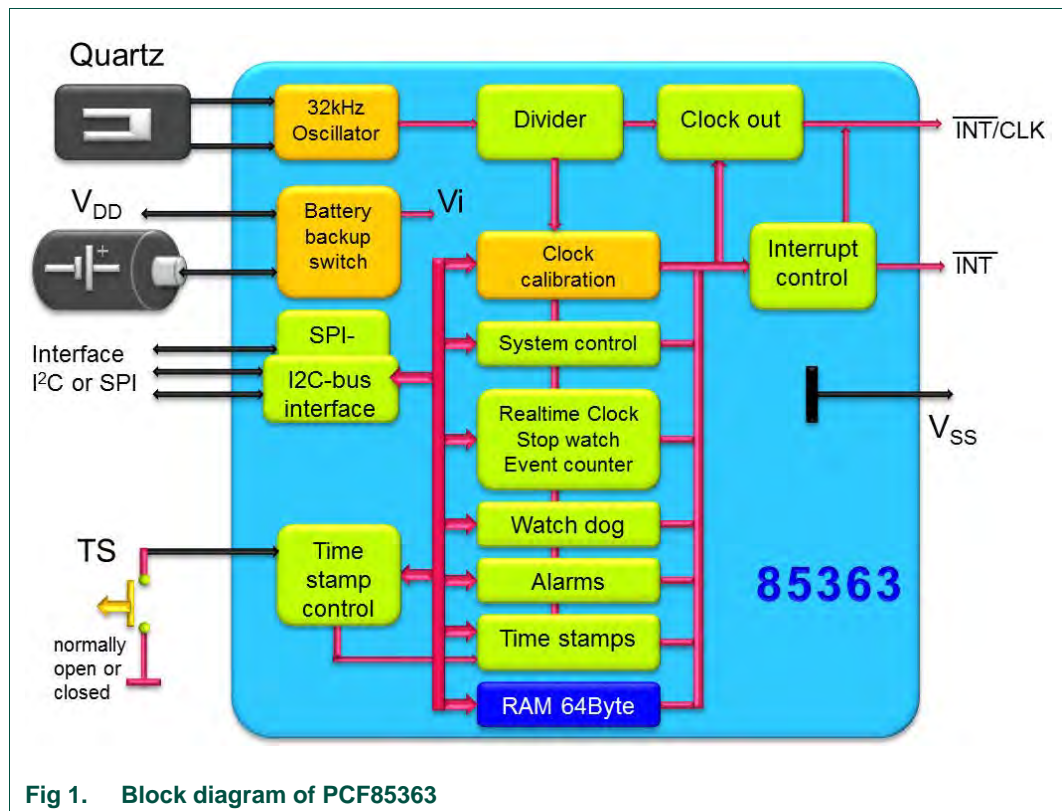


Fig 1. Block diagram of PCF85363

### 3. Hardware set-up

#### 3.1 General requirement for the RTC PCF85363A

The RTC circuit just requires one external part: a tuning fork quartz as resonator. The oscillation capacitors are integrated and therefore there is no need for external capacitors. The quartz crystal must be placed close to the RTC circuit, avoiding long lines which may pick up noise. Avoid any tracks with high frequency signals (fast edges) close to the RTC, quartz, or quartz interconnect.

The I<sup>2</sup>C-bus interface works up to 400 kHz. Supply voltage: 1.8 V to 5.5 V. The RTC, excluding the I<sup>2</sup>C-bus interface, is however operating down to a lower voltage. It is recommended to have a decoupling capacitor of 100 nF each on the V<sub>DD</sub>-V<sub>SS</sub> and V<sub>BAT</sub>-V<sub>SS</sub> rails close by.

Due to the low power consumption of below 1 μW, no precautions for heat dissipations are required, even in a sealed housing environment.

Frequencies of 1Hz to 32.768 kHz at CLKOUT can be used to measure the frequency for calibration and/or can be used for general purpose e.g. as reference for frequency generation with a PLL.

#### 3.2 Demo board OM13514

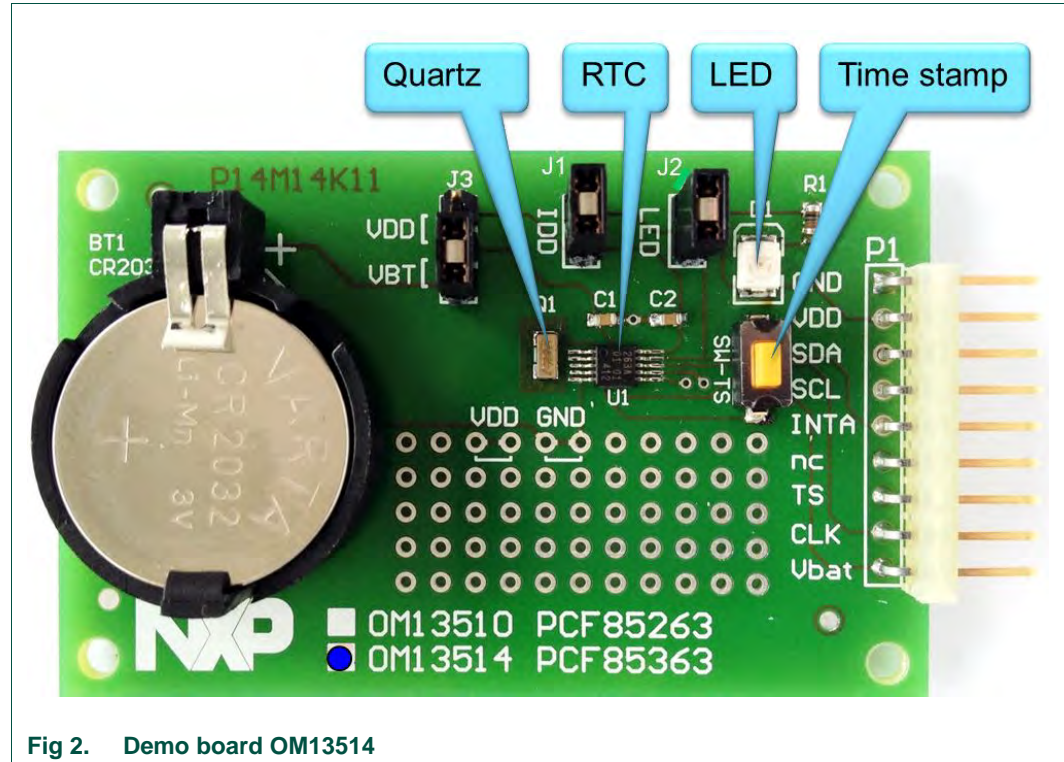


Fig 2. Demo board OM13514

### 3.3 Out of the box

#### Connections

- Hardware start-up: all pins are accessible on connector P1
  - GND
  - V<sub>DD</sub>, 3 V to 5.5 V
  - Connect I<sup>2</sup>C-bus: SDA, SCL pull ups are assumed to be on the I<sup>2</sup>C master board

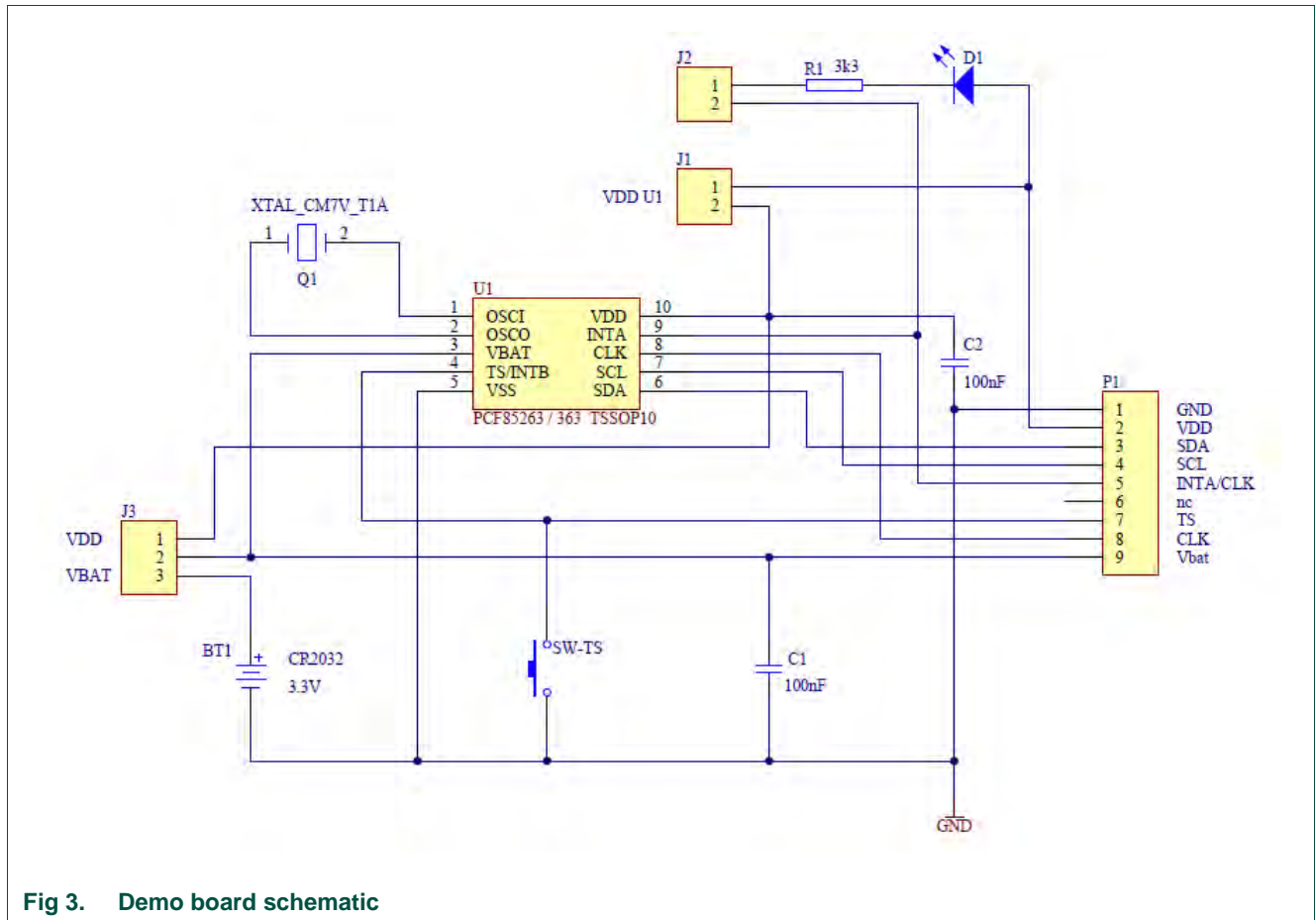
#### Optional

- Activate coin-cell battery by setting Jumper J3 to VBT
- Connect interrupt(s). For visualizing an interrupt an LED can be switched in by Jumper J2
- Connect CLKOUT. After power up, 32 kHz is the output to calibrate the oscillator or it may be used as reference frequency e.g. as clock for the microcontroller (LED on demo board will light up dimmed)
- Time stamp
  - With the SW-TS push button a time stamp event can be initiated
  - The TS input must be configured for a mechanical switch: therefore set the TSIM bit = 1
- Software start-up
  - I<sup>2</sup>C-bus address: 1010 001R/W
  - Write oscillator calibration value: register 24h
  - Set parameters: registers 25h to 2Bh
  - Write actual time: registers 00h to 07h

Read current time: registers 00h to 07h

## 4. Circuit diagram

### 4.1 Demo board circuit diagram



### 4.2 Incorporate it with an application in development

This board can be connected via connector P1 to the application to be developed.

## 5. Graphical User Interface with OM13518 USB-I<sup>2</sup>C-bus dongle

### 5.1 USB-I<sup>2</sup>C dongle

Details are described in the user manual UM10789

The OM13518 dongle is a ready to run module. It creates a virtual COM-port via an USB connection. It provides three I<sup>2</sup>C-bus connections with 5 V option to power the application (max 450 mA).

Power consumption: module/total: <50 mA/max 500 mA

I<sup>2</sup>C-bus clock frequency: 245 Hz – 400 kHz

USB driver for Windows: Windows XP, Windows 7, Windows 8

Size: 50 mm × 40 mm × 15 mm

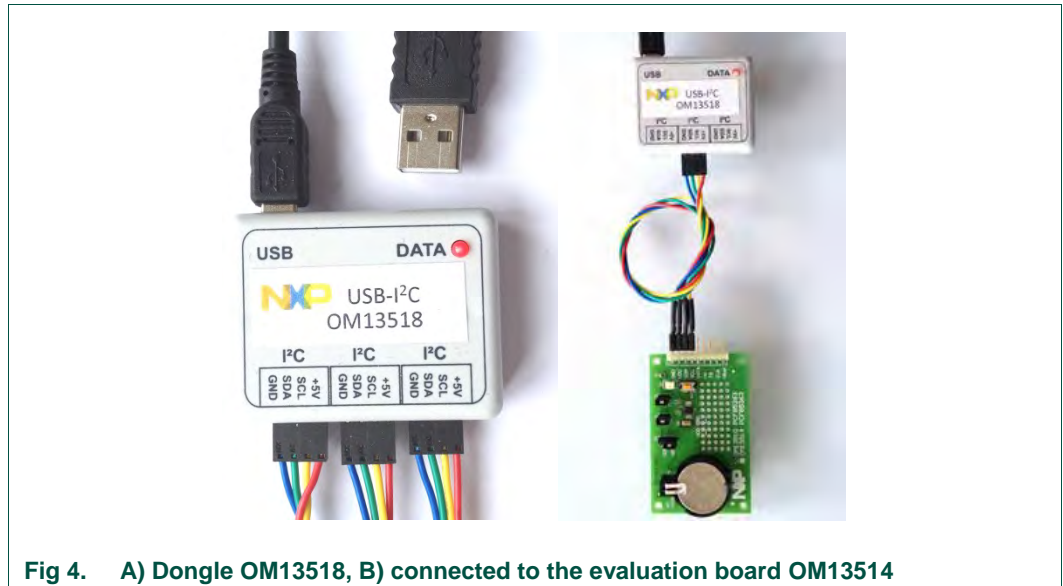


Fig 4. A) Dongle OM13518, B) connected to the evaluation board OM13514

### 5.2 Software GUI

The software control via a GUI allows a fast start to communicate to the different circuits.

Aside from the detailed GUI pages for the Real-Time Clocks, a UNIVERSAL INTERFACE allows to communicate with any I<sup>2</sup>C-bus device by entering directly the hex codes. Example: `s A2 28 p`

Where s stands for the I<sup>2</sup>C START and p for the I<sup>2</sup>C STOP condition.



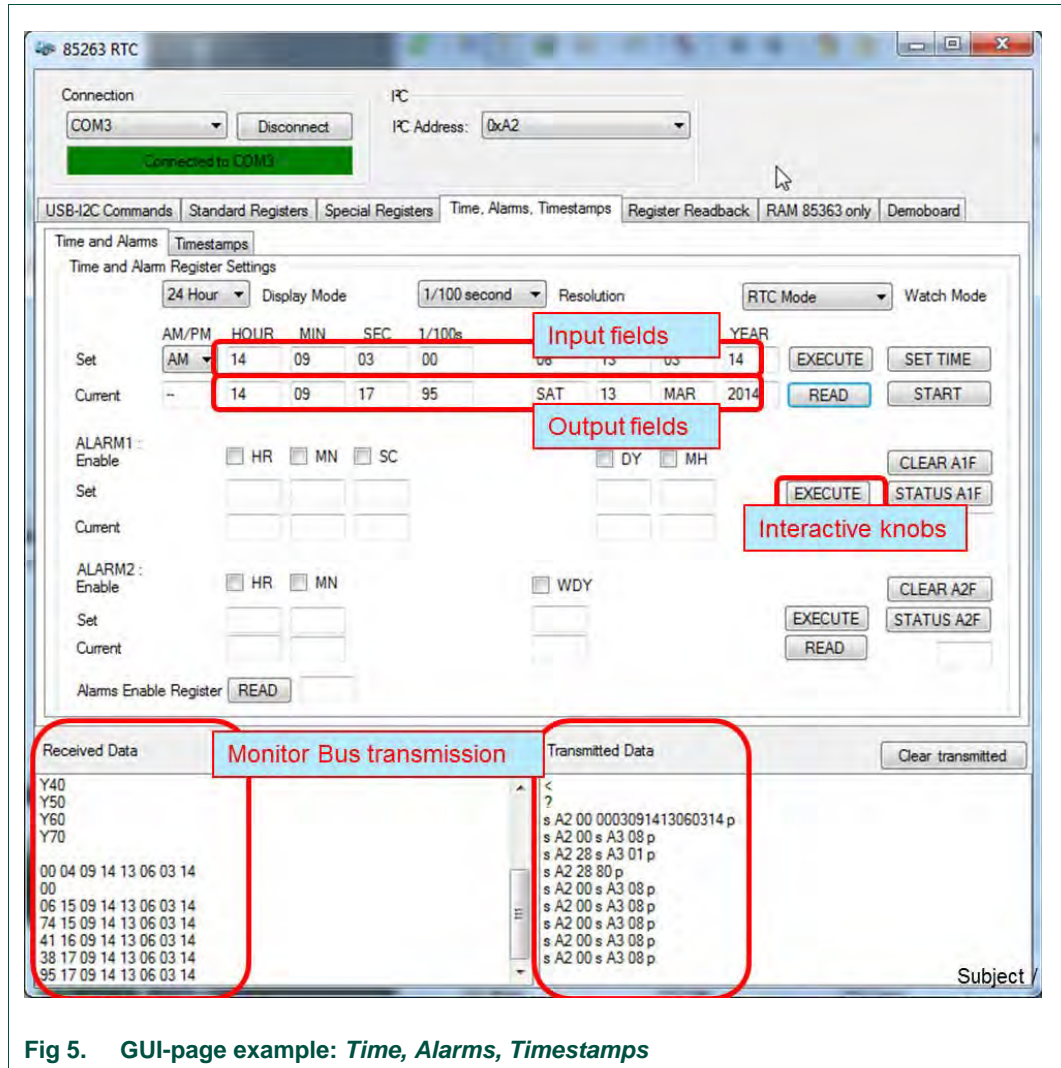


Fig 5. GUI-page example: Time, Alarms, Timestamps

## 6. RTC tuning

### 6.1 Frequency tuning

The 32 kHz quartzes are typically sold with a tolerance at room temperature of either ±20 ppm or ±10 ppm. 11.5 ppm corresponds to 1 s/day.

The quartzes feature a characteristic load capacity of either 7 pF or 12.5 pF. Oscillators utilizing 7 pF quartzes feature slightly lower power consumption, where the quartzes of 12.5 pF have largest production quantities. The tracks between quartz and RTC represent also some parasitic capacitances and must be kept short.

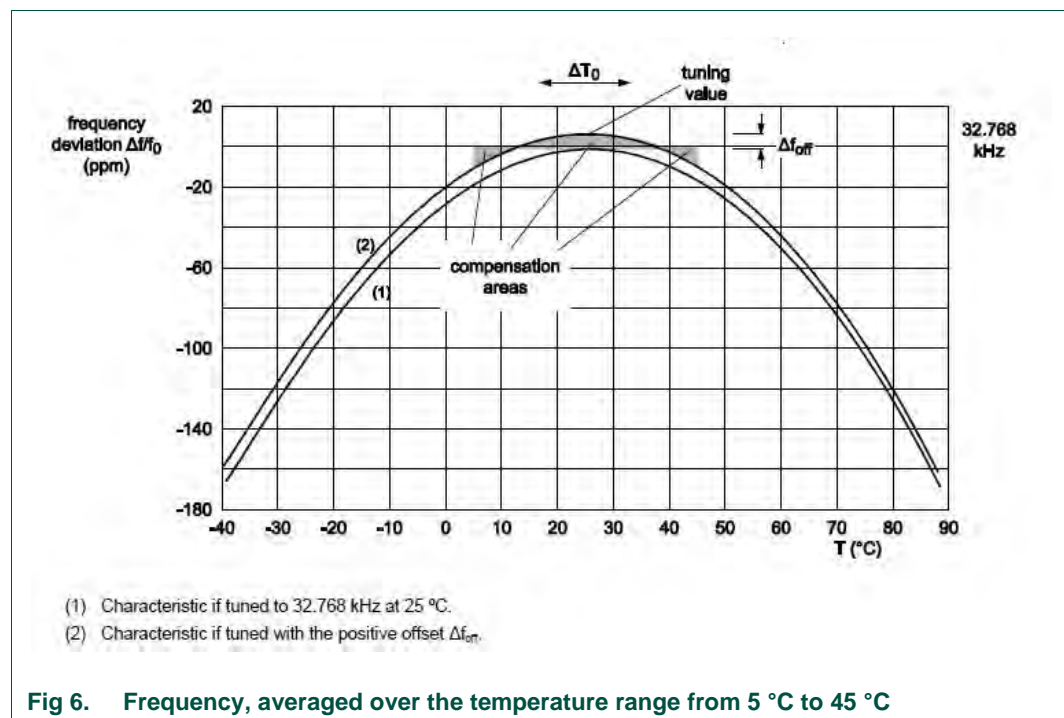
The PCF85363 has a tuning facility where tolerances can be compensated. Tuning procedure:

- Measure the 32xxx Hz (f) signal at the CLKOUT pin.
- The offset is calculated in ppm as

$$\Delta f_{[ppm]} = 10^6 \times (f - 32768) / 32768$$

- Consult the offset table in the data sheet. Take the correction value and write it into the register 02h.
- The correction is done by means of inhibition or addition: the oscillator runs at constant speed, then every 4 hours (mode 0) 1 second is corrected by making it shorter or longer. The moment in time of correction can be made visible by enabling the interrupt OIEA or OIEB. The clock frequency of 1 Hz is corrected over time.
- Corrections can also be applied every 8 minutes by using mode 1. This mode will consume slightly more power.
- The correction range is sufficiently large to implement also a temperature compensation.

The 32 kHz quartzes are of the type tuning fork and feature a parabolic frequency response over temperature. When the application is dominantly used over a limited temperature range, it is often helpful to tune the frequency to be slightly higher at the turn-over point. The error around 25 °C (clock goes too fast) is then compensated during the time when temperature is lower or higher. For example, for operation between 5 °C and 45 °C, tune the clock 8 ppm faster than the value for 25 °C would be. See [Fig 6](#).



## 7. References

---

- [1] **AN11247** – Improved timekeeping accuracy with PCF85063, PCF8523 and PCF2123 using an external temperature sensor
- [2] **UM10301** – User Manual for NXP Real Time Clocks PCF85x3, PCA8565 and PCF2123, PCA2125
- [3] **UM10789** – User Manual for USB-I<sup>2</sup>C-bus interface OM13518 with a GUI for the RTCs PCF85263 and PCF85363

## 8. Legal information

### 8.1 Definitions

**Draft** — The document is a draft version only. The content is still under internal review and subject to formal approval, which may result in modifications or additions. NXP Semiconductors does not give any representations or warranties as to the accuracy or completeness of information included herein and shall have no liability for the consequences of use of such information.

### 8.2 Disclaimers

**Limited warranty and liability** — Information in this document is believed to be accurate and reliable. However, NXP Semiconductors does not give any representations or warranties, expressed or implied, as to the accuracy or completeness of such information and shall have no liability for the consequences of use of such information.

In no event shall NXP Semiconductors be liable for any indirect, incidental, punitive, special or consequential damages (including - without limitation - lost profits, lost savings, business interruption, costs related to the removal or replacement of any products or rework charges) whether or not such damages are based on tort (including negligence), warranty, breach of contract or any other legal theory.

Notwithstanding any damages that customer might incur for any reason whatsoever, NXP Semiconductors' aggregate and cumulative liability towards customer for the products described herein shall be limited in accordance with the Terms and conditions of commercial sale of NXP Semiconductors.

**Right to make changes** — NXP Semiconductors reserves the right to make changes to information published in this document, including without limitation specifications and product descriptions, at any time and without notice. This document supersedes and replaces all information supplied prior to the publication hereof.

**Suitability for use** — NXP Semiconductors products are not designed, authorized or warranted to be suitable for use in life support, life-critical or safety-critical systems or equipment, nor in applications where failure or malfunction of an NXP Semiconductors product can reasonably be expected to result in personal injury, death or severe property or environmental damage. NXP Semiconductors accepts no liability for inclusion and/or use of NXP Semiconductors products in such equipment or applications and therefore such inclusion and/or use is at the customer's own risk.

**Applications** — Applications that are described herein for any of these products are for illustrative purposes only. NXP Semiconductors makes no representation or warranty that such applications will be suitable for the specified use without further testing or modification.

Customers are responsible for the design and operation of their applications and products using NXP Semiconductors products, and NXP Semiconductors accepts no liability for any assistance with applications or

customer product design. It is customer's sole responsibility to determine whether the NXP Semiconductors product is suitable and fit for the customer's applications and products planned, as well as for the planned application and use of customer's third party customer(s). Customers should provide appropriate design and operating safeguards to minimize the risks associated with their applications and products.

NXP Semiconductors does not accept any liability related to any default, damage, costs or problem which is based on any weakness or default in the customer's applications or products, or the application or use by customer's third party customer(s). Customer is responsible for doing all necessary testing for the customer's applications and products using NXP Semiconductors products in order to avoid a default of the applications and the products or of the application or use by customer's third party customer(s). NXP does not accept any liability in this respect.

**Export control** — This document as well as the item(s) described herein may be subject to export control regulations. Export might require a prior authorization from competent authorities.

**Evaluation products** — This product is provided on an "as is" and "with all faults" basis for evaluation purposes only. NXP Semiconductors, its affiliates and their suppliers expressly disclaim all warranties, whether express, implied or statutory, including but not limited to the implied warranties of non-infringement, merchantability and fitness for a particular purpose. The entire risk as to the quality, or arising out of the use or performance, of this product remains with customer.

In no event shall NXP Semiconductors, its affiliates or their suppliers be liable to customer for any special, indirect, consequential, punitive or incidental damages (including without limitation damages for loss of business, business interruption, loss of use, loss of data or information, and the like) arising out the use of or inability to use the product, whether or not based on tort (including negligence), strict liability, breach of contract, breach of warranty or any other theory, even if advised of the possibility of such damages.

Notwithstanding any damages that customer might incur for any reason whatsoever (including without limitation, all damages referenced above and all direct or general damages), the entire liability of NXP Semiconductors, its affiliates and their suppliers and customer's exclusive remedy for all of the foregoing shall be limited to actual damages incurred by customer based on reasonable reliance up to the greater of the amount actually paid by customer for the product or five dollars (US\$5.00). The foregoing limitations, exclusions and disclaimers shall apply to the maximum extent permitted by applicable law, even if any remedy fails of its essential purpose.

### 8.3 Trademarks

Notice: All referenced brands, product names, service names and trademarks are property of their respective owners.

## 9. List of figures

---

Fig 1.	Block diagram of PCF85363 .....	4
Fig 2.	Demo board OM13514 .....	5
Fig 3.	Demo board schematic .....	7
Fig 4.	A) Dongle OM13518, B) connected to the evaluation board OM13514.....	8
Fig 5.	GUI-page example: <i>Time, Alarms, Timestamps</i>	9
Fig 6.	Frequency, averaged over the temperature range from 5 °C to 45 °C.....	10

## 10. Contents

---

<b>1.</b>	<b>Introduction .....</b>	<b>3</b>
<b>2.</b>	<b>Key features .....</b>	<b>3</b>
2.1	Demo board OM13514 .....	3
2.2	Real time clock PCF85363A .....	4
<b>3.</b>	<b>Hardware set-up .....</b>	<b>5</b>
3.1	General requirement for the RTC PCF85363A ..	5
3.2	Demo board OM13514 .....	5
3.3	Out of the box .....	6
<b>4.</b>	<b>Circuit diagram .....</b>	<b>7</b>
4.1	Demo board circuit diagram .....	7
4.2	Incorporate it with an application in development .....	7
<b>5.</b>	<b>Graphical User Interface with OM13518 USB-I<sup>2</sup>C-bus dongle .....</b>	<b>8</b>
5.1	USB-I <sup>2</sup> C dongle .....	8
5.2	Software GUI .....	8
<b>6.</b>	<b>RTC tuning .....</b>	<b>9</b>
6.1	Frequency tuning .....	9
<b>7.</b>	<b>References .....</b>	<b>11</b>
<b>8.</b>	<b>Legal information .....</b>	<b>12</b>
8.1	Definitions .....	12
8.2	Disclaimers .....	12
8.3	Trademarks .....	12
<b>9.</b>	<b>List of figures .....</b>	<b>13</b>
<b>10.</b>	<b>Contents .....</b>	<b>14</b>

---

Please be aware that important notices concerning this document and the product(s) described herein, have been included in the section 'Legal information'.

---

© NXP B.V. 2014.

All rights reserved.

For more information, please visit: <http://www.nxp.com>  
For sales office addresses, please send an email to: [salesaddresses@nxp.com](mailto:salesaddresses@nxp.com)

Date of release: 10 July 2014  
Document identifier: UM10787

## X-ON Electronics

Largest Supplier of Electrical and Electronic Components

*Click to view similar products for [Clock & Timer Development Tools](#) category:*

*Click to view products by [NXP](#) manufacturer:*

Other Similar products are found below :

[AD9517-0A/PCBZ](#) [AD9517-2A/PCBZ](#) [AD9520-5PCBZ](#) [AD9530/PCBZ](#) [AD9553/PCBZ](#) [ADCLK914PCBZ](#) [LMH2180SDEVAL](#) [DSC400-0333Q0032KE1-EVB](#) [TDGL013](#) [MAX2880EVKIT#](#) [MAX2750EVKIT](#) [MAX2752EVKIT](#) [ADCLK946PCBZ](#) [ADCLK946/PCBZ](#) [MAX2622EVKIT](#) [EKIT01-HMC1032LP6G](#) [Si5332-8IX-EVB](#) [RV-2251-C3-EVALUATION-BOARD](#) [Si5332-12IX-EVB](#) [RV-3029-C2-EVALUATION-BOARD-OPTION-B](#) [Si5332-6IX-EVB](#) [SKY72310-11-EVB](#) [EV1HMC6475LC4B](#) [EV1HMC8364LP6G](#) [EV1HMC8362LP6G](#) [RV-8263-C7-EVALUATION-BOARD](#) [EVK9FGV1002](#) [EVK9FGV1008](#) [EV1HMC6832ALP5L](#) [EVAL01-HMC830LP6GE](#) [EVAL01-HMC911LC4B](#) [EVAL01-HMC987LP5E](#) [EVAL01-HMC988LP3E](#) [TS3002DB](#) [LMX2487E-EVM](#) [MIKROE-2481](#) [2045](#) [ADCLK846/PCBZ](#) [EKIT01-HMC835LP6G](#) [EKIT01-HMC834LP6GE](#) [EKIT01-HMC830LP6GE](#) [TS3006DB](#) [105811-HMC440QS16G](#) [DSC-TIMEFLASH2-KIT1](#) [110227-HMC510LP5](#) [110227-HMC513LP5](#) [AD9515/PCBZ](#) [ADCLK948/PCBZ](#) [ADCLK954/PCBZ](#) [112261-HMC739LP4](#)