

UM10788

User manual for I²C-bus RTC demo board OM13515

Rev. 2 — 4 August 2014

User manual

Document information

Info	Content
Keywords	PCF85063, OM13515, evaluation, demo board, how to get started, I ² C-bus, RTC, Real-Time Clock, tuning
Abstract	User manual for the evaluation board OM13515. It uses the low power RTC PCF85063AT with I ² C-bus interface



Revision history

Rev	Date	Description
v.2	20140804	Second revision
v.1	20140620	New user manual, first revision

Contact information

For more information, please visit: <http://www.nxp.com>

For sales office addresses, please send an email to: salesaddresses@nxp.com

1. Introduction

The PCx85063 are a family of CMOS Real-Time Clocks (RTC) and calendar optimized for low power consumption. Different features sets are available.

The OM13515 is the ideal evaluation/demo board to use in the design phase of any project, just power and I²C-bus must be applied.

Separate demo boards and user manuals are available for

RTC PCF85063TP/PCF85063ATL – OM11059A and UM11698

RTC with SPI-bus PCF85063BTL – OM11059 and UM10699

2. Key features

There are four RTC variants of the PCF85063x RTC with I²C-bus:

PCF85063AT, PCF85063ATT – enhanced functionality with I²C-bus interface

PCA85063ATT – enhanced functionality with I²C-bus interface AEC-Q100 qualified automotive grade

PCF85063ATL – enhanced functionality with I²C-bus interface with clock enable input

PCF85063TP – basic functionality with I²C-bus interface

2.1 PCx85063AT, PCF85063ATT

The PCx85063A is a Real-Time Clock with very small form factor, counting seconds, minutes, hours, days, weekdays, months, and years.

- Electronic oscillator tuning
- RAM: 1 byte
- Package:
 - PCF85063AT: SO8
 - PCF85063ATT: TSSOP8
 - PCA85063ATT: TSSOP8, automotive grade, -40 °C to +105 °C
- Alarm control
- Timer
- WatchDog
- Interrupt:
 - every 30 s or 60 s
 - alarm
 - timer
 - WatchDog
- Interface: 400 kHz I²C-bus

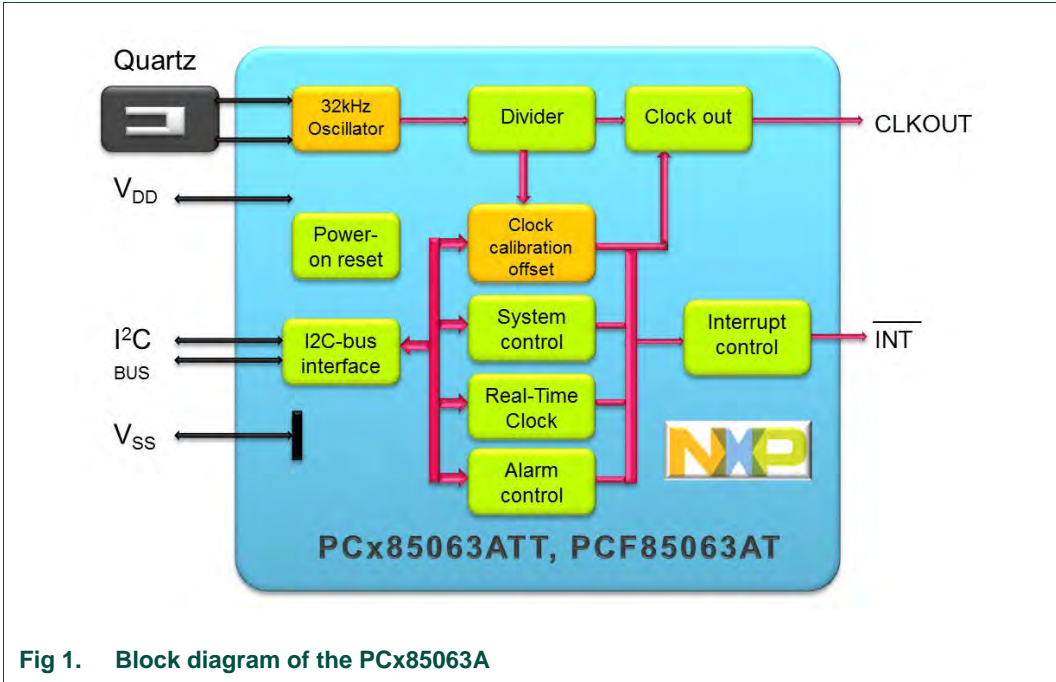


Fig 1. Block diagram of the PCx85063A

3. Hardware set-up

3.1 General requirements for the RTCs PCx85063A

The RTC circuit just requires one external part: a tuning fork quartz as resonator. The oscillation capacitors are integrated and therefore there is no need for external capacitors. The quartz crystal must be placed close to the RTC circuit, avoiding long lines which may pick up noise. Avoid any tracks with high frequency signals (fast edges) close to the RTC, quartz, or quartz interconnect.

The interface is the standard Fast Mode I²C-bus, operating up to 400 kHz. Adjust the values of the pull-up resistors to match the required interface speed keeping them as high impedance as possible for power savings reasons. Ensure that the specified minimum requirements of the hold times t_{LOW} and t_{HIGH} are fulfilled.

Supply voltage: The RTC is specified from 0.9 V to 5.5 V. The I²C-bus interface is specified from 1.8 V to 5.5 V. It is recommended to have a decoupling capacitor on the V_{DD} - V_{SS} rails close by.

Due to the low power consumption of below 1 μ W, no precautions for heat dissipations are required.

CLKOUT can be used to measure the frequency or be used as reference for frequency generation with a PLL.

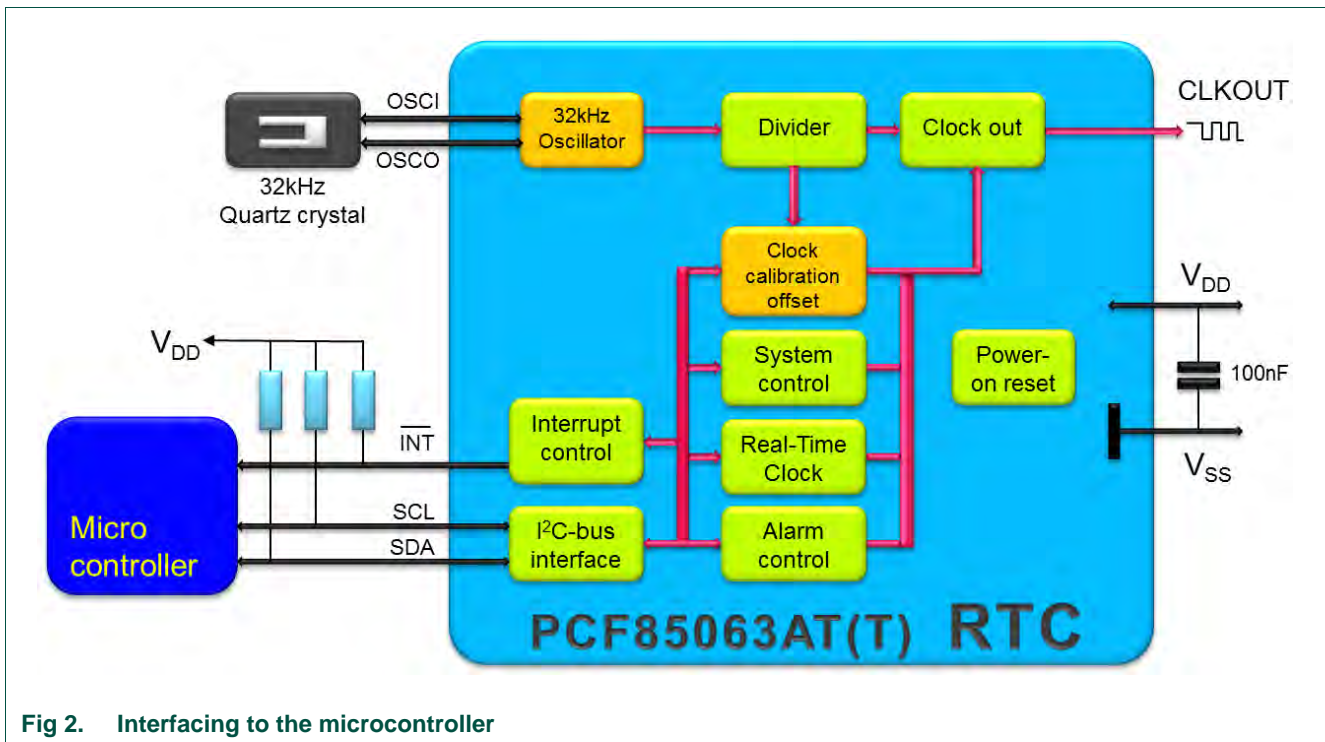


Fig 2. Interfacing to the microcontroller

3.2 Demo board OM13515



Fig 3. Picture of demo board OM13515

The OM13515 allows easily demonstrating the operation of the PCx85063A with I²C-bus interface. No need to solder the tiny package to a breadboard 100 mil connector for straight forward connections.

To visualize the interrupt an LED (D1) is mounted. To minimize the power consumption it can be switched off by removing the jumper J2.

To measure the current consumption just replace jumper J1 by a μ A-meter.

The market offers quartzes with different load capacitances: $C_L = 12.5$ pF is most common, $C_L = 7$ pF as used on the board, offers however lower power consumption.

Straight forward interfacing:

- Connect supply voltage (e.g. 3.3 V): V_{SS} to pin 1, V_{DD} to pin 2
- Connect I²C-bus (pull-up resistor needed): SCL to pin 4, SDA to pin 3
- Connect interrupt and or CLKOUT if required
- Communicate with the RTC

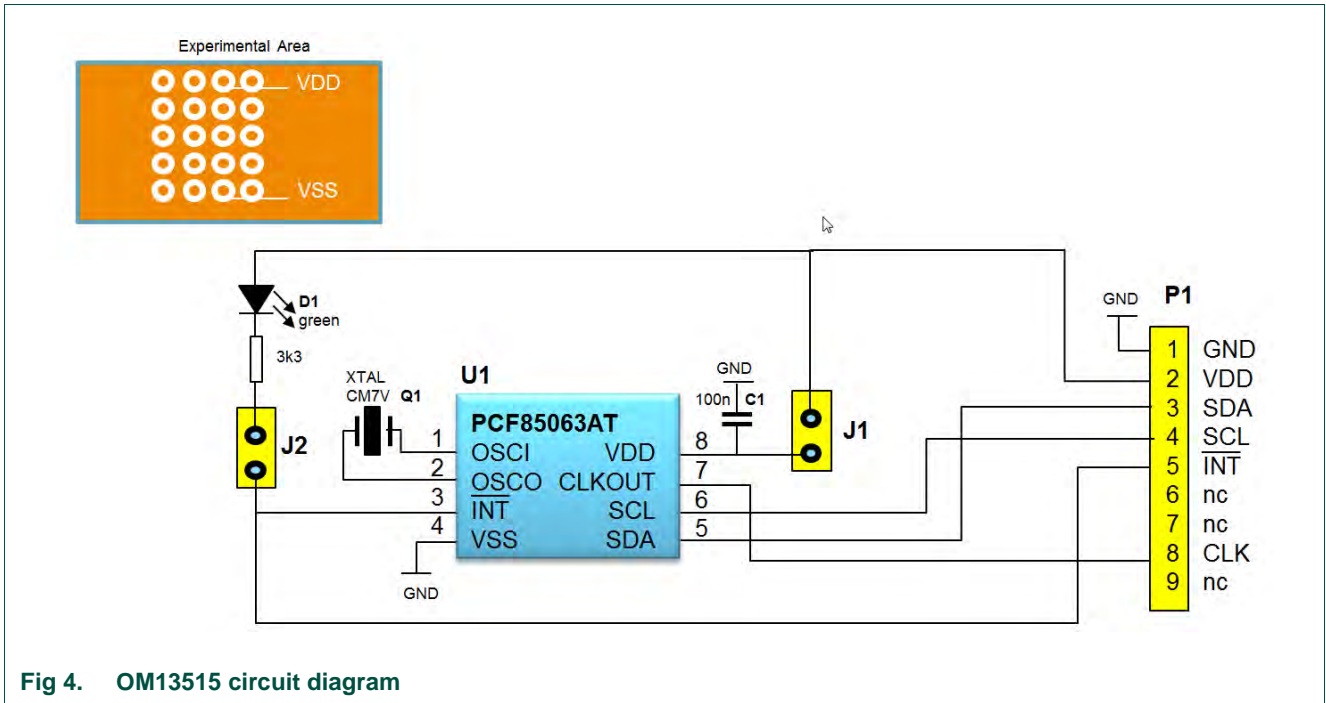


Fig 4. OM13515 circuit diagram

4. Graphical User Interface with OM13518 USB-I²C-bus dongle

4.1 USB-I²C dongle

Details are described in the user manual UM10789.

The OM13518 dongle is a ready to run module. It creates a virtual COM-port via an USB connection. It provides three I²C-bus connections with 5 V option to power the application (max 450 mA).

Power consumption: module/total: <50 mA/max 500 mA

I²C-bus clock frequency: 245 Hz – 400 kHz

USB driver for Windows: Windows XP, Windows 7, Windows 8

Size: 50 mm × 40 mm × 15 mm

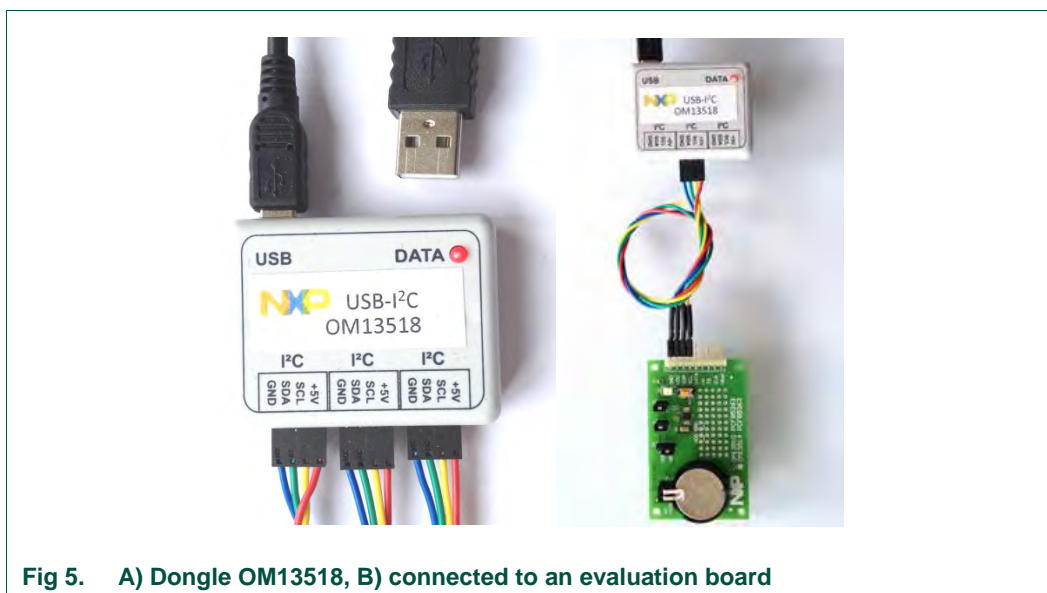


Fig 5. A) Dongle OM13518, B) connected to an evaluation board

4.2 Software GUI

The software control via a GUI allows a fast start to communicate to the different circuits.

Aside from the detailed GUI pages for the Real-Time Clocks, a UNIVERSAL INTERFACE allows to communicate with any I²C-bus device by entering directly the hex codes. Example: `s A2 28 p`

Where s stands for the I²C START and p for the I²C STOP condition.

There are 2 GUI versions:

USB_I2C_GUI_85063TP for the PCF85063TP RTC with basic features, no alarm facility

USB_I2C_GUI_85063A for the full featured PCx85063A RTC

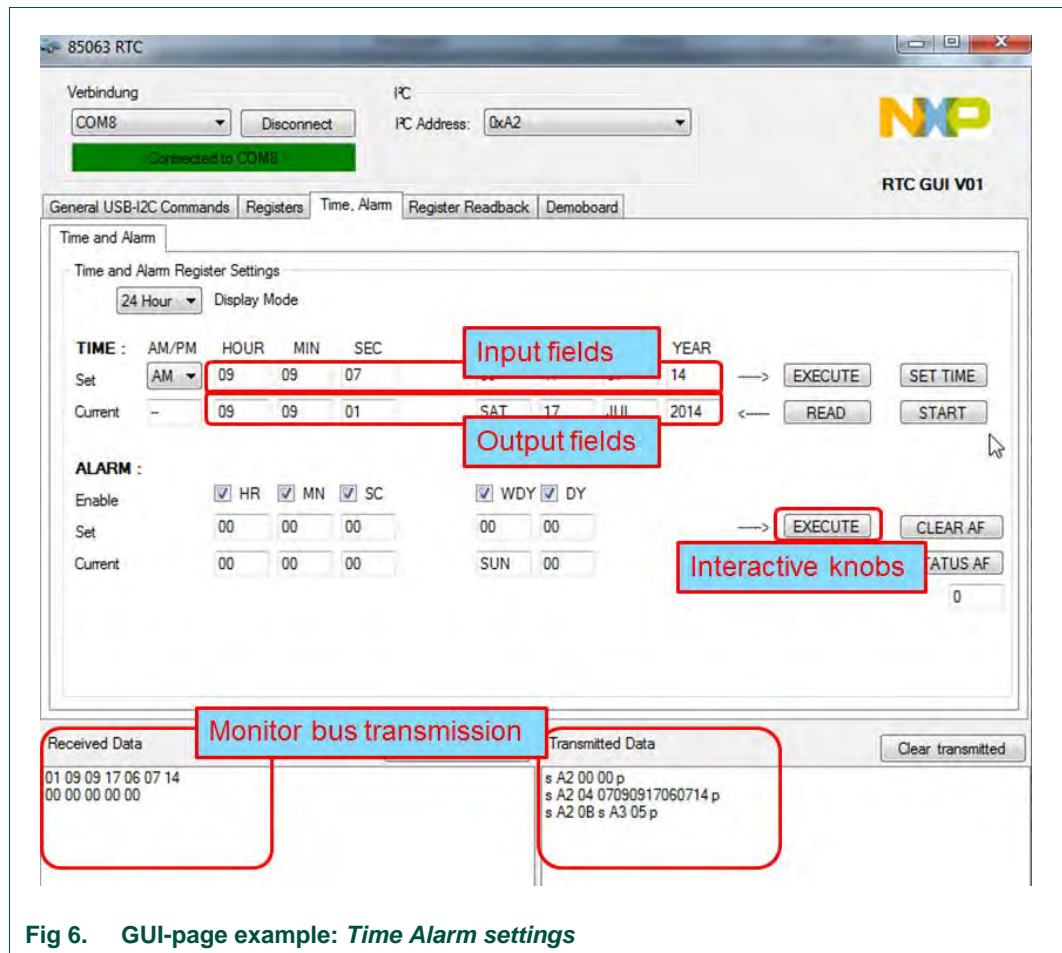


Fig 6. GUI-page example: Time Alarm settings

5. Software set-up

5.1 Functionality

The RTC PCx85063A is controlled via a standard Fast Mode I²C-bus interface, operating up to 400 kHz.

Theoretically there is no lower speed limit, however a read or write access to the RTC must be finalized within one second after initiating it, otherwise time counter increments could be lost. During access, the time registers of the RTC are frozen and after the read or write sequence is completed, a seconds increment is executed if required.

The clock tracks the actual time from seconds to year. It must be initially set to the correct time of the actual time zone. The number of days per month and leap year are corrected automatically. Leap years are assumed whenever the year is dividable by 4.

The RTC can be programmed to generate an interrupt every 30 seconds or every 60 seconds. Interrupts can also be generated by the alarm facility, the timer and the WatchDog.

At address byte 03h a general purpose RAM byte is ideal to store temporary information.

5.2 System testing

There is a fast mode facility to test the functionality of the RTC; it can be activated by setting the EXT_TEST bit in the Control_1 word.

The RTC PCF85063x has a frequency tuning facility; its operation is explained in section RTC tuning. The RTC can stay switched on all the time. There is no need to restart or reset the clock.

5.3 Software instructions for setting the clock

5.3.1 Setting the time

Setting the clock to 3.45 pm December 15, 2014:

I ² C-bus	S	START condition
Slave address	1010 0010	address pointer to status word 0
Register address	0000 0000	address pointer to status word 0
Status word 0	0000 0010	set 12 hour mode and select option for 7 pF quartz
I ² C-bus	Sr	Repeated START condition
Slave address	1010 0010	R/ \overline{W} = 0, write mode
Register address	0000 0100	address pointer to Seconds register, address 4h
Seconds	0000 0000	0 seconds (clock integrity ok → MSB OS = 0)
Minutes	0100 0101	45 min
Hours	0010 0011	PM, 3
Days	0001 0101	15 th
Weekdays	0000 0001	Monday (1 st day of the week)
Month	0001 0010	December (12 th month)
Year	0001 0100	(20)14
I ² C-bus	P	STOP condition

5.3.2 Reading the clock

Reading the clock (2 minutes after writing)

I ² C-bus	S	START condition
Slave address	1010 0010	R/ \overline{W} = 1, read mode
Register address	0000 0100	address pointer to Seconds register
I ² C-bus	Sr	repeated start condition
Slave address	1010 0011	read mode
Read register 4		e.g. 56 seconds, (clock integrity ok → OS = 0)
Minutes		e.g. 47 (Minutes)
Hours		e.g. 23 (PM, 03h)
Days		e.g. 15 (15 th)
Weekdays		e.g. 01 (Monday)
Month		e.g. 12 (December)
Year		e.g. 14 (20)14
I ² C-bus	P	STOP condition

6. RTC tuning

6.1 Frequency tuning

The 32 kHz quartzes are typically sold with a tolerance at room temperature of either ± 10 ppm or ± 20 ppm. 11.5 ppm corresponds to 1 s/day.

The quartzes require a characteristic load capacity of either 7 pF or 12.5 pF. Oscillators utilizing 7 pF quartzes feature slightly lower power consumption, where the quartzes of 12.5 pF have largest production quantities. Program the CAP_SEL bit in register Control_1 accordingly. The tracks between quartz and RTC represent also some parasitic capacitances and must be kept short.

The PCF85063 has a tuning facility where above tolerances can be compensated.

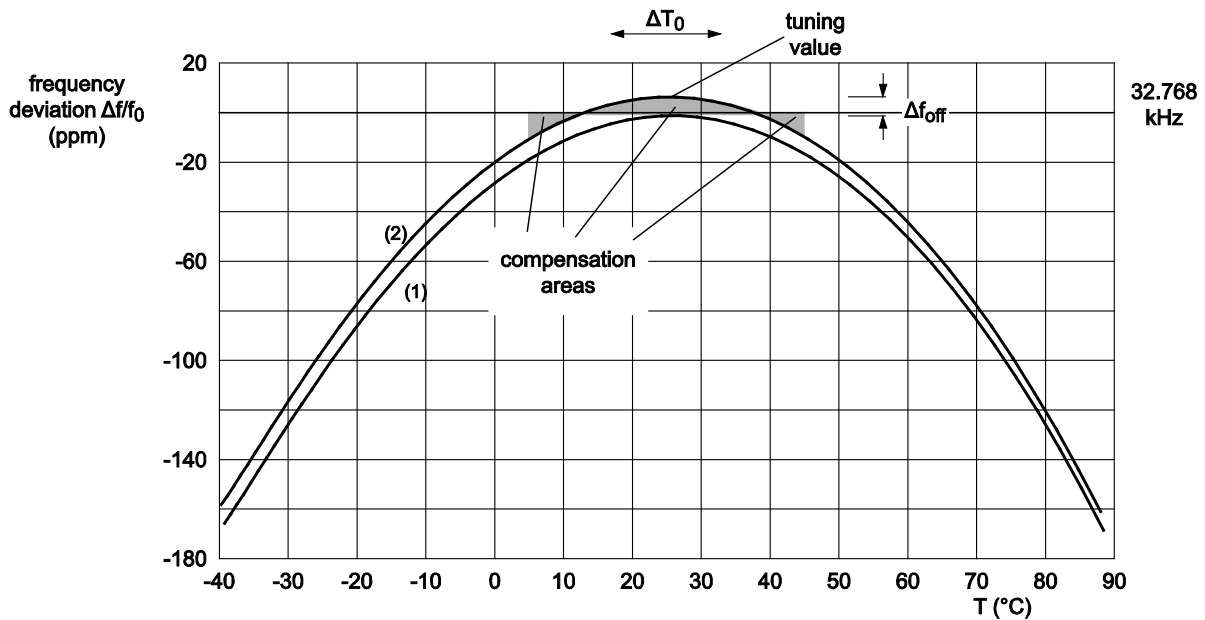
Tuning procedure:

- Measure the 32xxx Hz (f) signal at the CLKOUT pin.
- The offset is calculated in ppm as

$$\Delta f_{[\text{ppm}]} = 10^6 \times (f - 32768) / 32768$$
- Consult the offset table in the data sheet. Take the correction value and write it into the register 02h.

- The correction is done by means of inhibition or addition: the oscillator runs at constant speed, then every 2 hours (mode 0) 1 second is corrected to by making it shorter or longer. This is not easily visible at the CLKOUT.
- Corrections can also be applied every 4 minutes by using mode 1. This mode will consume slightly more power.

The 32 kHz quartzes are of the type tuning fork and feature a parabolic frequency response over temperature. When the application is dominantly used over a limited temperature range, it is often helpful to tune the frequency to be slightly higher at the turn-over point. The error around 25 °C (clock goes too fast) is then compensated during the time when temperature is lower or higher. For example, for operation between 5 °C and 45 °C, tune the clock 8 ppm faster than the value for 25 °C would be. (Fig 7)



- (1) Characteristic if tuned to 32.768 kHz at 25 °C.
- (2) Characteristic if tuned with the positive offset Δf_{off} .

Fig 7. Temperature averaged over application range 5 °C to 45 °C

7. References

- [1] **AN11247** - Improved timekeeping accuracy with PCF85063, PCF8523 and PCF2123 using an external temperature sensor
- [2] **UM10301** - User Manual for NXP Real Time Clocks PCF85x3, PCA8565 and PCF2123, PCA2125
- [3] **UM10789** - USB-I²C-bus interface OM13518 with a GUI for the RTCs
- [4] **PCF85063A** - Tiny Real-Time Clock/calendar with alarm function and I²C-bus, data sheet
- [5] **PCF85063TP** - Tiny Real-Time Clock/calendar and I²C-bus, data sheet

8. Legal information

8.1 Definitions

Draft — The document is a draft version only. The content is still under internal review and subject to formal approval, which may result in modifications or additions. NXP Semiconductors does not give any representations or warranties as to the accuracy or completeness of information included herein and shall have no liability for the consequences of use of such information.

8.2 Disclaimers

Limited warranty and liability — Information in this document is believed to be accurate and reliable. However, NXP Semiconductors does not give any representations or warranties, expressed or implied, as to the accuracy or completeness of such information and shall have no liability for the consequences of use of such information.

In no event shall NXP Semiconductors be liable for any indirect, incidental, punitive, special or consequential damages (including - without limitation - lost profits, lost savings, business interruption, costs related to the removal or replacement of any products or rework charges) whether or not such damages are based on tort (including negligence), warranty, breach of contract or any other legal theory.

Notwithstanding any damages that customer might incur for any reason whatsoever, NXP Semiconductors' aggregate and cumulative liability towards customer for the products described herein shall be limited in accordance with the Terms and conditions of commercial sale of NXP Semiconductors.

Right to make changes — NXP Semiconductors reserves the right to make changes to information published in this document, including without limitation specifications and product descriptions, at any time and without notice. This document supersedes and replaces all information supplied prior to the publication hereof.

Suitability for use — NXP Semiconductors products are not designed, authorized or warranted to be suitable for use in life support, life-critical or safety-critical systems or equipment, nor in applications where failure or malfunction of an NXP Semiconductors product can reasonably be expected to result in personal injury, death or severe property or environmental damage. NXP Semiconductors accepts no liability for inclusion and/or use of NXP Semiconductors products in such equipment or applications and therefore such inclusion and/or use is at the customer's own risk.

Applications — Applications that are described herein for any of these products are for illustrative purposes only. NXP Semiconductors makes no representation or warranty that such applications will be suitable for the specified use without further testing or modification.

Customers are responsible for the design and operation of their applications and products using NXP Semiconductors products, and NXP Semiconductors accepts no liability for any assistance with applications or customer product design. It is customer's sole responsibility to determine whether the NXP Semiconductors product is suitable and fit for the

customer's applications and products planned, as well as for the planned application and use of customer's third party customer(s). Customers should provide appropriate design and operating safeguards to minimize the risks associated with their applications and products.

NXP Semiconductors does not accept any liability related to any default, damage, costs or problem which is based on any weakness or default in the customer's applications or products, or the application or use by customer's third party customer(s). Customer is responsible for doing all necessary testing for the customer's applications and products using NXP Semiconductors products in order to avoid a default of the applications and the products or of the application or use by customer's third party customer(s). NXP does not accept any liability in this respect.

Export control — This document as well as the item(s) described herein may be subject to export control regulations. Export might require a prior authorization from competent authorities.

Evaluation products — This product is provided on an "as is" and "with all faults" basis for evaluation purposes only. NXP Semiconductors, its affiliates and their suppliers expressly disclaim all warranties, whether express, implied or statutory, including but not limited to the implied warranties of non-infringement, merchantability and fitness for a particular purpose. The entire risk as to the quality, or arising out of the use or performance, of this product remains with customer.

In no event shall NXP Semiconductors, its affiliates or their suppliers be liable to customer for any special, indirect, consequential, punitive or incidental damages (including without limitation damages for loss of business, business interruption, loss of use, loss of data or information, and the like) arising out of the use of or inability to use the product, whether or not based on tort (including negligence), strict liability, breach of contract, breach of warranty or any other theory, even if advised of the possibility of such damages.

Notwithstanding any damages that customer might incur for any reason whatsoever (including without limitation, all damages referenced above and all direct or general damages), the entire liability of NXP Semiconductors, its affiliates and their suppliers and customer's exclusive remedy for all of the foregoing shall be limited to actual damages incurred by customer based on reasonable reliance up to the greater of the amount actually paid by customer for the product or five dollars (US\$5.00). The foregoing limitations, exclusions and disclaimers shall apply to the maximum extent permitted by applicable law, even if any remedy fails of its essential purpose.

Translations — A non-English (translated) version of a document is for reference only. The English version shall prevail in case of any discrepancy between the translated and English versions.

8.3 Trademarks

Notice: All referenced brands, product names, service names and trademarks are property of their respective owners.

9. List of figures

Fig 1.	Block diagram of the PCx85063A	4
Fig 2.	Interfacing to the microcontroller	5
Fig 3.	Picture of demo board OM13515	6
Fig 4.	OM13515 circuit diagram	7
Fig 5.	A) Dongle OM13518, B) connected to an evaluation board	8
Fig 6.	GUI-page example: <i>Time Alarm settings</i>	9
Fig 7.	Temperature averaged over application range 5 °C to 45 °C	12

10. Contents

1.	Introduction	3
2.	Key features	3
2.1	PCx85063AT, PCF85063ATT	3
3.	Hardware set-up	5
3.1	General requirements for the RTCs PCx85063A5	
3.2	Demo board OM13515	6
4.	Graphical User Interface with OM13518 USB-I²C-bus dongle	8
4.1	USB-I ² C dongle	8
4.2	Software GUI	8
5.	Software set-up	9
5.1	Functionality	9
5.2	System testing	10
5.3	Software instructions for setting the clock	10
5.3.1	Setting the time	10
5.3.2	Reading the clock	11
6.	RTC tuning	11
6.1	Frequency tuning	11
7.	References	13
8.	Legal information	14
8.1	Definitions	14
8.2	Disclaimers	14
8.3	Trademarks	14
9.	List of figures	15
10.	Contents	16

Please be aware that important notices concerning this document and the product(s) described herein, have been included in the section 'Legal information'.

© NXP B.V. 2014.

All rights reserved.

For more information, please visit: <http://www.nxp.com>
For sales office addresses, please send an email to: salesaddresses@nxp.com

Date of release: 4 August 2014

Document identifier: UM10788

X-ON Electronics

Largest Supplier of Electrical and Electronic Components

Click to view similar products for [Clock & Timer Development Tools](#) category:

Click to view products by [NXP](#) manufacturer:

Other Similar products are found below :

[AD9517-0A/PCBZ](#) [AD9517-2A/PCBZ](#) [AD9520-5PCBZ](#) [AD9530/PCBZ](#) [AD9553/PCBZ](#) [ADCLK914PCBZ](#) [LMH2180SDEVAL](#) [DSC400-0333Q0032KE1-EVB](#) [TDGL013](#) [MAX2880EVKIT#](#) [MAX2750EVKIT](#) [MAX2752EVKIT](#) [ADCLK946PCBZ](#) [ADCLK946/PCBZ](#) [MAX2622EVKIT](#) [EKIT01-HMC1032LP6G](#) [Si5332-8IX-EVB](#) [RV-2251-C3-EVALUATION-BOARD](#) [Si5332-12IX-EVB](#) [RV-3029-C2-EVALUATION-BOARD-OPTION-B](#) [Si5332-6IX-EVB](#) [SKY72310-11-EVB](#) [EV1HMC6475LC4B](#) [EV1HMC8364LP6G](#) [EV1HMC8362LP6G](#) [RV-8263-C7-EVALUATION-BOARD](#) [EVK9FGV1002](#) [EVK9FGV1008](#) [EV1HMC6832ALP5L](#) [EVAL01-HMC830LP6GE](#) [EVAL01-HMC911LC4B](#) [EVAL01-HMC987LP5E](#) [EVAL01-HMC988LP3E](#) [TS3002DB](#) [LMX2487E-EVM](#) [MIKROE-2481](#) [2045](#) [ADCLK846/PCBZ](#) [EKIT01-HMC835LP6G](#) [EKIT01-HMC834LP6GE](#) [EKIT01-HMC830LP6GE](#) [TS3006DB](#) [105811-HMC440QS16G](#) [DSC-TIMEFLASH2-KIT1](#) [110227-HMC510LP5](#) [110227-HMC513LP5](#) [AD9515/PCBZ](#) [ADCLK948/PCBZ](#) [ADCLK954/PCBZ](#) [112261-HMC739LP4](#)