

UM11909

P3S0210BQ-ARD evaluation board

Rev. 1.0 — 23 February 2024

User manual

Document information

Information	Content
Keywords	P3S0210, I3C switch, I3C Level Shifter, Level Translator, P3S0210 user manual, P3S0210BQ-ARD evaluation board
Abstract	The P3S0210 is a dual bidirectional I3C-bus 1:2 and 2:1 switch and voltage level translator with auto direction sensing, that enables bidirectional voltage level translation. This user manual describes the setup, configuration and operation of the P3S0210BQ-ARD evaluation board.



1 Introduction

The P3S0210 is a dual bidirectional I3C bus 1:2 and 2:1 switch and voltage level translator with auto direction sensing, that enables bidirectional voltage level translation. It includes a reference supply (VCCR), supplies for ports 1, 2, and S (VCCP1, VCCP2, and VCCS respectively), and a supply for OE and SEL pins (VCCE).

The supply voltage of VCCP1, VCCP2, VCCS, and VCCE is between 0.72 V to 3.63 V. The reference supply VCCR is between 1.62 V to 3.63 V and should be greater or equal to VCCP1, VCCP2, VCCS, and VCCE.

Pins A1 and B1 are referenced to VCCP1, pins A2 and B2 are referenced to VCCP2, and pins A and B are referenced to VCCS. The OE and SEL pins are defined for enable and port selection that are referenced to VCCE.

P3S0210BQ-ARD evaluation board can be used for both open-drain as well as push-pull application which allows for I3C-bus and other applications like I²C-bus, SMBus and SPI protocols.

This document is intended to help the users to quickly set up, configure, and operate the evaluation board in the users' hardware platform.

2 Finding kit resources and information on the NXP web site

NXP Semiconductors provides online resources for this evaluation board and its supported device(s) on <http://www.nxp.com>. The information page for P3S0210BQ-ARD evaluation board is at <http://www.nxp.com/P3S0210BQ-ARD>. The information page provides overview information, documentation, software and tools, parametrics, ordering information and a **Getting Started** tab. The **Getting Started** tab provides quick-reference information applicable to using the P3S0210BQ-ARD evaluation board, including the downloadable assets referenced in this document.

2.1 Collaborate in the NXP community

The NXP community is for sharing ideas and tips, ask and answer technical questions, and receive input on just about any embedded design topic.

The NXP community is at <http://community.nxp.com>.

3 Getting ready

Working with the P3S0210BQ-ARD evaluation board requires the kit contents.

3.1 Kit contents

- Assembled and tested evaluation board in an anti-static bag
- Quick Start Guide

4 Getting to know the hardware

As default, P3S0210 Port1 and Port2 are configured to operate at 1.8 V while PortS is configured to operate at 3.3 V via jumper settings (see [Table 2](#)). Port1 and Port2 I2C/I3C interfaces are available at J21 and J50, while PortS I2C/I3C is available on J20.

Each of P3S0210 port has one one-board 8-bit I2C GPIO expander (PCA9538), and one I3C temperature sensor (P3T1755) connected to it. The user I2C/I3C controller can access these devices via the port I2C/I3C interface headers. The factory default I2C/I3C addresses for these devices are listed on [Table 4](#). The user can also be able to connect their own I2C/I3C devices to the port I2C/I3C interface headers, and access these devices via the other I2C/I3C interface headers. GPIO0 and PGIO1 on each of the PCA9538 are connected to a pair of LEDs. The user can turn on, turn off, or blink the LED via the port I2C interface and the PCA9538.

P3S0210 can be enabled/disabled via J42. As factory default, P3S0210 is enabled.

P3S0210 Port1 or Port2 can be selected to connect to PortS via J44. As factory default, J44 is set to select Port1 to connect to PortS. Port2 can be selected to PortS as well by reposition the jumper on J44.

The P3S0210BQ-ARD evaluation board is powered via a USB micro-B connector, J51. There are on-board LDOs to convert 5 V from the micro-B connector to other power rails to provide power to P3S0210 VCCP1, VCCP2, VCCS, VCCE, VCCR and other components on the board. The voltage at each LDO output can be selected via the headers at the LDO FB pin. The output voltage is set with a resistor divider, and a jumper is used to select the lower resistor to set the LDO output voltage.

The P3S0210BQ-ARD evaluation board is also designed to be mated and controlled by a standard micro-controller board which equipped with standard Arduino headers. The P3S0210 is then powered by the available 5 V rail from the micro-controller board. [Table 6](#) lists all interface signals the MCU needs to communicate with the P3S0210. If desires, there are test points at each of the I2C/I3C interface header that the user can jump wire the micro-controller I3C signals to these test points.

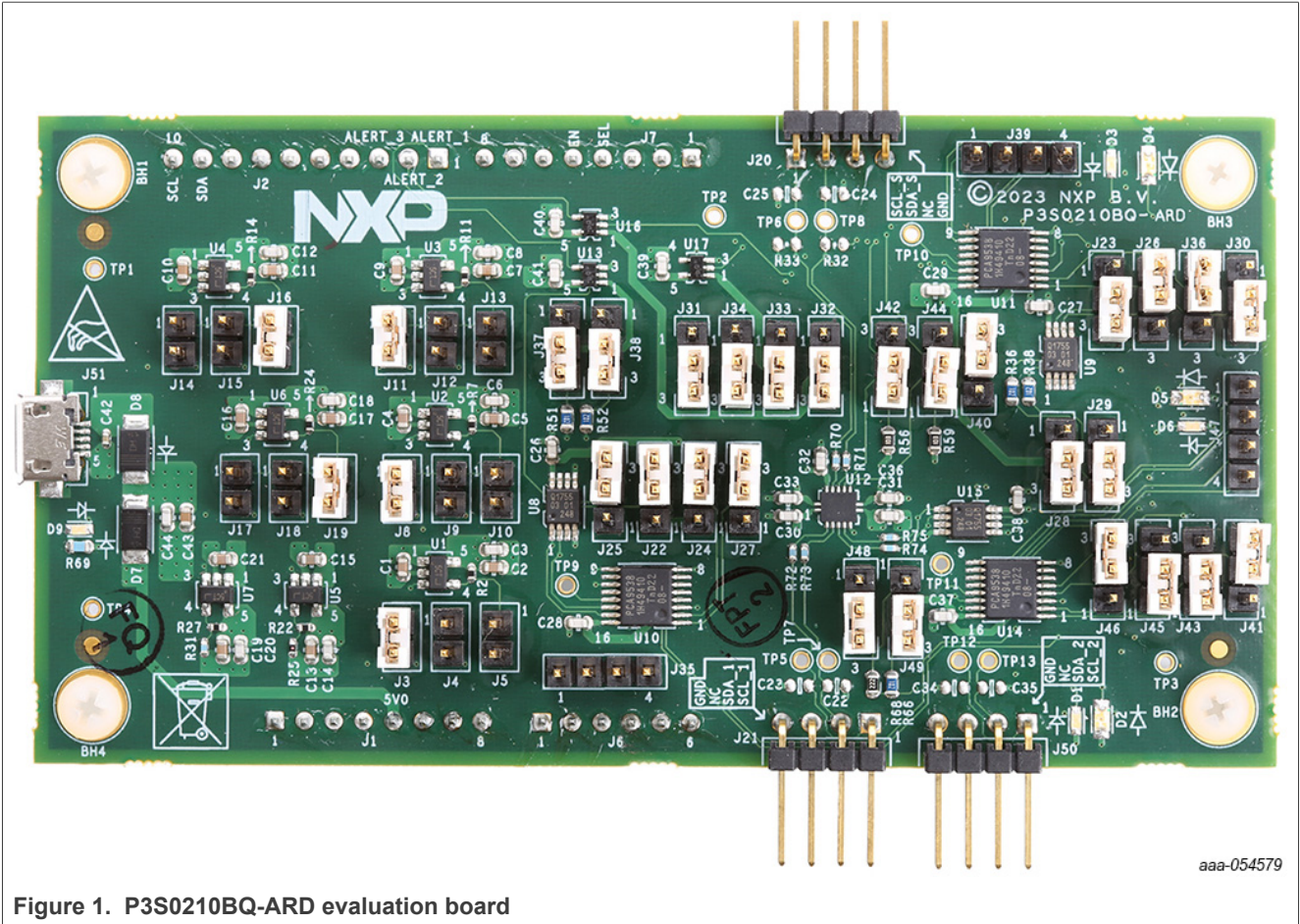
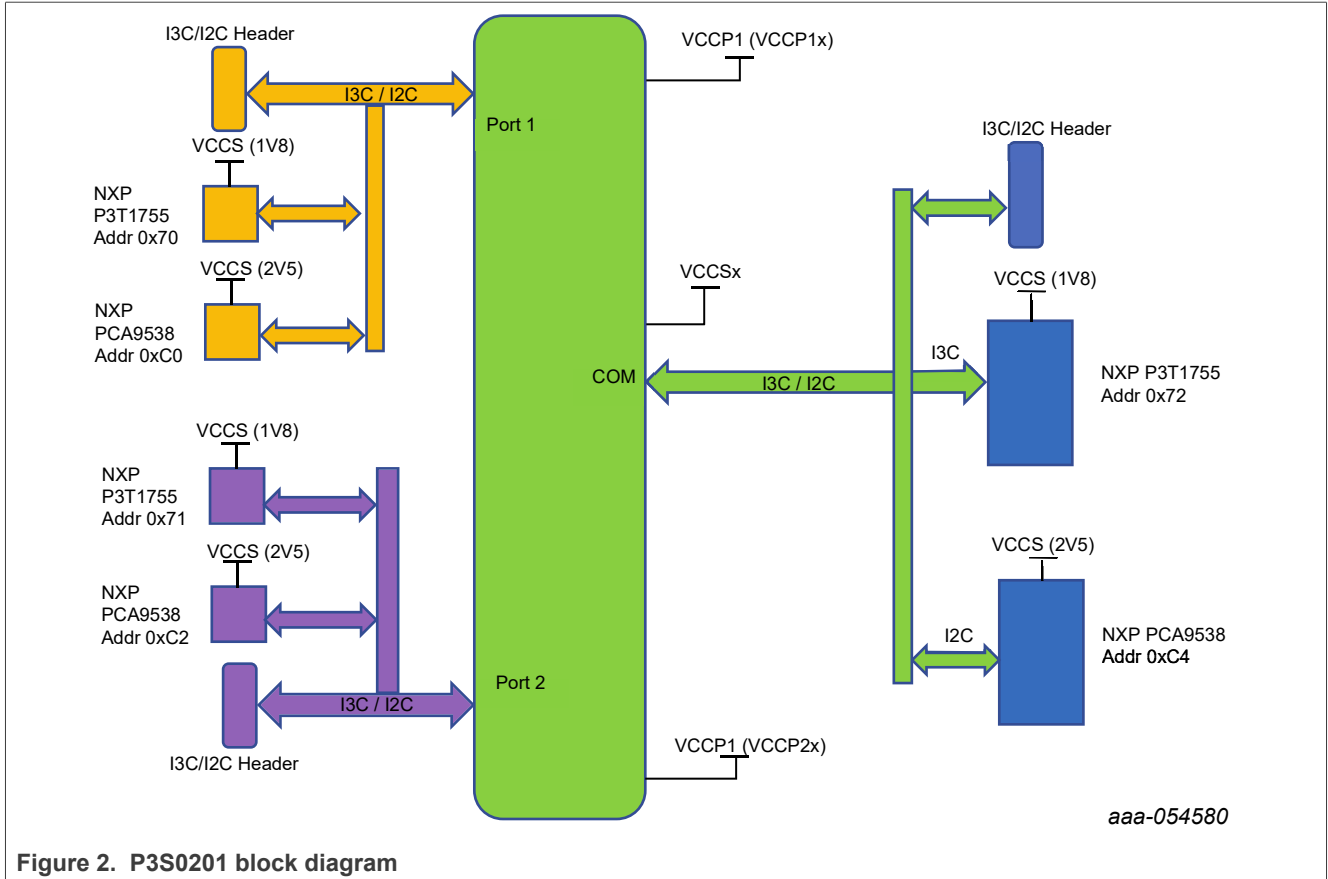
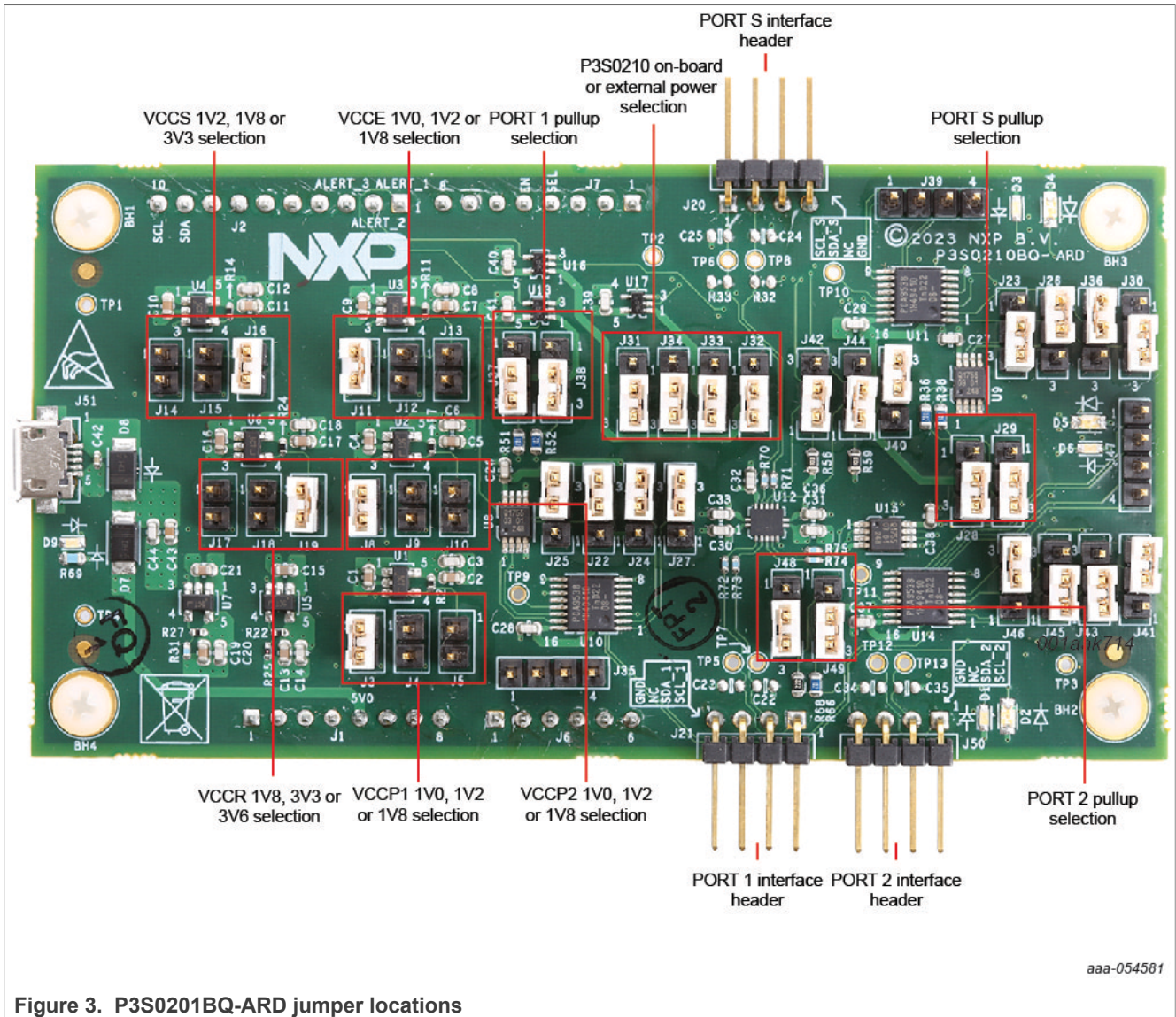


Figure 1. P3S0210BQ-ARD evaluation board



4.1 Connectors and jumpers

Please refer to [Figure 3](#) for the location of connectors and jumpers on the evaluation board.



aaa-054581

Figure 3. P3S0210BQ-ARD jumper locations

4.2 P3S0210 VCCP1, VCCP2, VCCS, VCCE, VCCR select jumper settings

As default, P3S0210 power rails are set as onboard power as shown in [Table 1](#). External power rail can be used by removing the jumper from 2-3, and placing it on 1-2.

Table 1. VCCP1, VCCP2, VCCS, VCCE, VCCR select jumper settings

Header	Jumper on	Comment
JP31	1-2-3	1-2 external, 2-3 (default) onboard VCCP1
JP32	1-2-3	1-2 external, 2-3 (default) onboard VCCP2
JP33	1-2-3	1-2 external, 2-3 (default) onboard VCCS
JP34	1-2-3	1-2 external, 2-3 (default) onboard VCCR
JP40	1-2-3	1-2 external, 2-3 (default) onboard VCCE

4.3 P3S0210 VCCP1, VCCP2, VCCS, VCCE, VCCR default voltage jumper settings

P3S0210 power rail voltages can be changed according to [Table 2](#).

Table 2. VCCP1, VCCP2, VCCS, VCCE, VCCR default voltage jumper settings

Voltage Rail	Header	Jumper on	Comment
VCCP1	J3 (1V8), J4 (1V2), J5 (1V0)	J3 (default)	VCCP1 is set to 1V8
VCCP2	J8 (1V8), J9 (1V2), J10 (1V0)	J8 (default)	VCCP2 is set to 1V8
VCCPS	J14 (1V2), J15 (1V8), J16 (3V3)	J16 (default)	VCCS is set to 3V3
VCCR	J17 (1V8), J18 (3V3), J19 (3V6)	J19 (default)	VCCR is set to 3V6
VCCE	J11 (1V8), J12 (1V2), J13 (1V0)	J11 (default)	VCCE is set to 1V8

4.4 P3S0210 enable and switch select jumper settings

P3S0210 enable and channel switch can be manually selected or be controlled by the external MCU via the Arduino extension headers.

Table 3. Enable and switch select jumper settings

Pin	Header	Jumper on	Comment
OE	J42	1-2-3	1-2 enable (default), 2-3 disable
SEL	J44	1-2-3	1-2 Port 2 connected PortS, 2-3 Port 1 connected PortS (default)

4.5 On-board I2C and I3C devices

Table 4. On-board I2C and I3C devices

Type	Device	Port1	Port2	PortS
I2C	PCA9538	U10 – Adr. 0xE0	U14 – Adr. 0xE2	U11 – Adr. 0xE4
I3C	P3T1755	U8 – Adr. 0x90	U15 – Adr. 0x92	U9 – Adr. 0x94

The I2C and I3C addresses in [Table 4](#) are the factory default addresses. These addresses can be changed to other addresses via headers. Please see the green footnotes on the P3S0210BQ-ARD evaluation board schematic.

4.6 On-board I2C/I3C pull-up resistor selection

On each of the port I2C/I3C interface header, there are on-board pull up resistor on SCL and SDA signals. The jumpers can be used to select the on-board pull up of either 2.2K or 1K. The on-board pull up resistors can also be disconnected to use the off the board pull up. In this case, the jumpers should be removed from the headers listed below.

Table 5. On-board I2C/I3C pull-up resistor selection

	Header	Jumper on	On-board PU on	On-board PU off
Port1	JP37, JP38	1-2-3	1-2: 2.2K, 2-3:1K	Remove jumpers
Port2	JP48, JP49	1-2-3	1-2: 2.2K, 2-3:1K	Remove jumpers
PortS	JP28, JP29	1-2-3	1-2: 2.2K, 2-3:1K	Remove jumpers

4.7 Arduino headers

The P3S0210BQ-ARD evaluation board is also designed to be mated and controlled by a standard microcontroller board which equipped with standard Arduino headers. The four headers used for this purpose are J1, J2, J6 and J7.

Table 6. Arduino headers

Single	Header	Pin	Comment
5V0_uC	J1	5	5V supply from the MCU board
3V3_uC	J1	4	3V3 supply from the MCU board. Not used.
MCU_I2C_SCL	J2	10	MCU SCL
MCU_I2C_SDA	J2	9	MCU SDA
MCU_ALERT_3	J2	3	PortS P3T1755 alert
MCU_ALERT_2	J2	2	Port2 P3T1755 alert
MCU_ALERT_1	J2	1	Port1 P3T1755 alert
MCU_EN	J7	5	P3S0210 Enable
MCU_SEL	J7	4	P3S0210 Port 1/2 Select

4.8 Test points

There are a number of test points to allow the user to monitor and observe I2C/I3C signals that coming in and out Port1, Port2 and PortS.

Table 7. Test points

Signal	Test point	Alternative test point
Port1 SCL	TP5	J21 pin 1
Port1 SDA	TP7	J21 pin 2
Port2 SCL	TP12	J50 pin 1
Port2 SDA	TP13	J50 pin 2
PortS SCL	TP6	J20 pin 1
PortS SDA	TP8	J20 pin 2

4.9 Schematic, board layout and bill of materials

The schematic, board layout and bill of materials for the P3S0210BQ-ARD evaluation board are available at <http://www.nxp.com/P3S0210BQ-ARD>.

5 P3S0210 operation guide

1. Unpack the board and power it with the USB2 cable
2. Connect the 1.8V I3C controller to Port1 via J21, or PortS via J20 if 3V3 I3C controller. See schematic for wiring connection.
Note: As default, Port1 has on-board 2.2K pull-up. If the pull-up is on the I3C controller, then the on-board pull-up can be disabled via J37 and J38 (see [Table 5](#)).
3. The I3C controller then can communicate with the 8-bit GPIO PCA9538 via I2C, or the temperature sensor P3T1755 via I3C on Port1. The 1.8 V I3C controller can also communicate with the 8-bit GPIO PCA9538 via I2C, or the temperature sensor P3T1755 via I3C on PortS as well. These devices are located at different I2C/I3C addresses, see [Table 4](#) for their default factory addresses.

6 Errata list

Table 8. Errata

Date	Errata Description	Demo Impact	Solution
-	None	None	None

7 Revision history

Table 9. Revision history

Document ID	Release date	Description
UM11909 v.1.0	23 February 2024	• Initial version

Legal information

Definitions

Draft — A draft status on a document indicates that the content is still under internal review and subject to formal approval, which may result in modifications or additions. NXP Semiconductors does not give any representations or warranties as to the accuracy or completeness of information included in a draft version of a document and shall have no liability for the consequences of use of such information.

Disclaimers

Limited warranty and liability — Information in this document is believed to be accurate and reliable. However, NXP Semiconductors does not give any representations or warranties, expressed or implied, as to the accuracy or completeness of such information and shall have no liability for the consequences of use of such information. NXP Semiconductors takes no responsibility for the content in this document if provided by an information source outside of NXP Semiconductors.

In no event shall NXP Semiconductors be liable for any indirect, incidental, punitive, special or consequential damages (including - without limitation - lost profits, lost savings, business interruption, costs related to the removal or replacement of any products or rework charges) whether or not such damages are based on tort (including negligence), warranty, breach of contract or any other legal theory.

Notwithstanding any damages that customer might incur for any reason whatsoever, NXP Semiconductors' aggregate and cumulative liability towards customer for the products described herein shall be limited in accordance with the Terms and conditions of commercial sale of NXP Semiconductors.

Right to make changes — NXP Semiconductors reserves the right to make changes to information published in this document, including without limitation specifications and product descriptions, at any time and without notice. This document supersedes and replaces all information supplied prior to the publication hereof.

Suitability for use — NXP Semiconductors products are not designed, authorized or warranted to be suitable for use in life support, life-critical or safety-critical systems or equipment, nor in applications where failure or malfunction of an NXP Semiconductors product can reasonably be expected to result in personal injury, death or severe property or environmental damage. NXP Semiconductors and its suppliers accept no liability for inclusion and/or use of NXP Semiconductors products in such equipment or applications and therefore such inclusion and/or use is at the customer's own risk.

Applications — Applications that are described herein for any of these products are for illustrative purposes only. NXP Semiconductors makes no representation or warranty that such applications will be suitable for the specified use without further testing or modification.

Customers are responsible for the design and operation of their applications and products using NXP Semiconductors products, and NXP Semiconductors accepts no liability for any assistance with applications or customer product design. It is customer's sole responsibility to determine whether the NXP Semiconductors product is suitable and fit for the customer's applications and products planned, as well as for the planned application and use of customer's third party customer(s). Customers should provide appropriate design and operating safeguards to minimize the risks associated with their applications and products.

NXP Semiconductors does not accept any liability related to any default, damage, costs or problem which is based on any weakness or default in the customer's applications or products, or the application or use by customer's third party customer(s). Customer is responsible for doing all necessary testing for the customer's applications and products using NXP Semiconductors products in order to avoid a default of the applications and the products or of the application or use by customer's third party customer(s). NXP does not accept any liability in this respect.

Terms and conditions of commercial sale — NXP Semiconductors products are sold subject to the general terms and conditions of commercial sale, as published at <https://www.nxp.com/profile/terms>, unless otherwise agreed in a valid written individual agreement. In case an individual agreement is concluded only the terms and conditions of the respective agreement shall apply. NXP Semiconductors hereby expressly objects to applying the customer's general terms and conditions with regard to the purchase of NXP Semiconductors products by customer.

Export control — This document as well as the item(s) described herein may be subject to export control regulations. Export might require a prior authorization from competent authorities.

Suitability for use in non-automotive qualified products — Unless this document expressly states that this specific NXP Semiconductors product is automotive qualified, the product is not suitable for automotive use. It is neither qualified nor tested in accordance with automotive testing or application requirements. NXP Semiconductors accepts no liability for inclusion and/or use of non-automotive qualified products in automotive equipment or applications.

In the event that customer uses the product for design-in and use in automotive applications to automotive specifications and standards, customer (a) shall use the product without NXP Semiconductors' warranty of the product for such automotive applications, use and specifications, and (b) whenever customer uses the product for automotive applications beyond NXP Semiconductors' specifications such use shall be solely at customer's own risk, and (c) customer fully indemnifies NXP Semiconductors for any liability, damages or failed product claims resulting from customer design and use of the product for automotive applications beyond NXP Semiconductors' standard warranty and NXP Semiconductors' product specifications.

Translations — A non-English (translated) version of a document, including the legal information in that document, is for reference only. The English version shall prevail in case of any discrepancy between the translated and English versions.

Security — Customer understands that all NXP products may be subject to unidentified vulnerabilities or may support established security standards or specifications with known limitations. Customer is responsible for the design and operation of its applications and products throughout their lifecycles to reduce the effect of these vulnerabilities on customer's applications and products. Customer's responsibility also extends to other open and/or proprietary technologies supported by NXP products for use in customer's applications. NXP accepts no liability for any vulnerability. Customer should regularly check security updates from NXP and follow up appropriately. Customer shall select products with security features that best meet rules, regulations, and standards of the intended application and make the ultimate design decisions regarding its products and is solely responsible for compliance with all legal, regulatory, and security related requirements concerning its products, regardless of any information or support that may be provided by NXP.

NXP has a Product Security Incident Response Team (PSIRT) (reachable at PSIRT@nxp.com) that manages the investigation, reporting, and solution release to security vulnerabilities of NXP products.

NXP B.V. — NXP B.V. is not an operating company and it does not distribute or sell products.

Trademarks

Notice: All referenced brands, product names, service names, and trademarks are the property of their respective owners.

NXP — wordmark and logo are trademarks of NXP B.V.

Tables

Tab. 1.	VCCP1, VCCP2, VCCS, VCCE, VCCR select jumper settings	8	Tab. 5.	On-board I2C/I3C pull-up resistor selection	9
Tab. 2.	VCCP1, VCCP2, VCCS, VCCE, VCCR default voltage jumper settings	9	Tab. 6.	Arduino headers	10
Tab. 3.	Enable and switch select jumper settings	9	Tab. 7.	Test points	10
Tab. 4.	On-board I2C and I3C devices	9	Tab. 8.	Errata	12
			Tab. 9.	Revision history	13

Figures

Fig. 1. P3S0210BQ-ARD evaluation board 6 Fig. 3. P3S0201BQ-ARD jumper locations8
Fig. 2. P3S0201 block diagram7

Contents

1	Introduction	2
2	Finding kit resources and information on the NXP web site	3
2.1	Collaborate in the NXP community	3
3	Getting ready	4
3.1	Kit contents	4
4	Getting to know the hardware	5
4.1	Connectors and jumpers	7
4.2	P3S0210 VCCP1, VCCP2, VCCS, VCCE, VCCR select jumper settings	8
4.3	P3S0210 VCCP1, VCCP2, VCCS, VCCE, VCCR default voltage jumper settings	9
4.4	P3S0210 enable and switch select jumper settings	9
4.5	On-board I2C and I3C devices	9
4.6	On-board I2C/I3C pull-up resistor selection	9
4.7	Arduino headers	10
4.8	Test points	10
4.9	Schematic, board layout and bill of materials	10
5	P3S0210 operation guide	11
6	Errata list	12
7	Revision history	13
	Legal information	14

Please be aware that important notices concerning this document and the product(s) described herein, have been included in section 'Legal information'.

X-ON Electronics

Largest Supplier of Electrical and Electronic Components

Click to view similar products for [Other Development Tools](#) category:

Click to view products by [NXP](#) manufacturer:

Other Similar products are found below :

[BK0004](#) [BK0012](#) [THS6002EVM](#) [MIKROE-5539](#) [410-320](#) [TS9001DB](#) [TS9002DB](#) [TS9004DB](#) [BK0009](#) [TSX00003](#) [410-330](#) [SABMB16](#)
[4537](#) [5637](#) [5649](#) [DK-M3F-1.8-TRK-1.5-S](#) [DK-M3-FS-1.8-1.5-M12/16](#) [DK-M3-LS-1.8-6](#) [RS-485EVALBOARD2](#) [RS-485EVALBOARD4](#)
[240-000](#) [240-123](#) [240-125](#) [410-062](#) [410-125](#) [410-163](#) [410-378](#) [540-033](#) [GAMECONTROLLERTOBO1](#) [KTU1128EUAJ-MMEV01](#)
[XRA1405IG24-0B-EB](#) [BK0010](#) [EFIELDDEV](#) [MIKROE-3319](#) [MIKROE-3357](#) [MIKROE-4039](#) [MIKROE-1370](#) [MIKROE-1899](#) [MIKROE-](#)
[1901](#) [MIKROE-1917](#) [MIKROE-3116](#) [MIKROE-5079](#) [MIKROE-6000](#) [MIKROE-957](#) [NVT4558-4858-EVB](#) [OM13543](#) [P3S0210BQ-ARD](#)
[BB-GEVK](#) [STR-LOGIC-GATES-EVK](#) [GRV-EPIC-LC2](#)