

# DATA SHEET

## **PCA16xx series** 32 kHz watch circuits with EEPROM

Product specification  
Supersedes data of 1997 Apr 21  
File under Integrated Circuits, IC16

1997 Dec 12

**32 kHz watch circuits with EEPROM****PCA16xx series****FEATURES**

- 32 kHz oscillator, amplitude regulated with excellent frequency stability
- High immunity of the oscillator to leakage currents
- Time calibration electrically programmable and reprogrammable (via EEPROM)
- A quartz crystal is the only external component required
- Very low current consumption; typically 170 nA
- Detector for silver-oxide or lithium battery voltage levels
- Indication for battery end-of-life

- Stop function for accurate timing
- Power-on reset for fast testing
- Various test modes for testing the mechanical parts of the watch and the IC.

**GENERAL DESCRIPTION**

The PCA16xx series devices are CMOS integrated circuits specially suited for battery-operated, quartz-crystal-controlled wrist-watches, with bipolar stepping motors.

**ORDERING INFORMATION**

TYPE NUMBER	PACKAGE <sup>(1)</sup>		
	NAME	DESCRIPTION	VERSION
PCA1601U/10	–	chip on foil	–
PCA1602T	PMFP8	plastic micro flat package; 8 leads (straight)	SOT144-1
PCA1603U/7	–	chip with bumps on tape	–
PCA1604U	–	chip in tray	–
PCA1604U/10	–	chip on foil	–
PCA1605U/7	–	chip with bumps on tape	–
PCA1606U/10	–	chip on foil	–
PCA1607U	–	chip in tray	–
PCA1608U	–	chip in tray	–
PCA1611U	–	chip in tray	–
PCA1621U/7	–	chip with bumps on tape	–
PCA1621U/10	–	chip on foil	–
PCA1622U	–	chip in tray	–
PCA1623U/7	–	chip with bumps on tape	–
PCA1624U	–	chip in tray	–
PCA1625U/7	–	chip with bumps on tape	–
PCA1626U	–	chip in tray	–
PCA1627U/7	–	chip with bumps on tape	–
PCA1628U	–	chip in tray	–
PCA1629U/7	–	chip with bumps on tape	–

**Note**

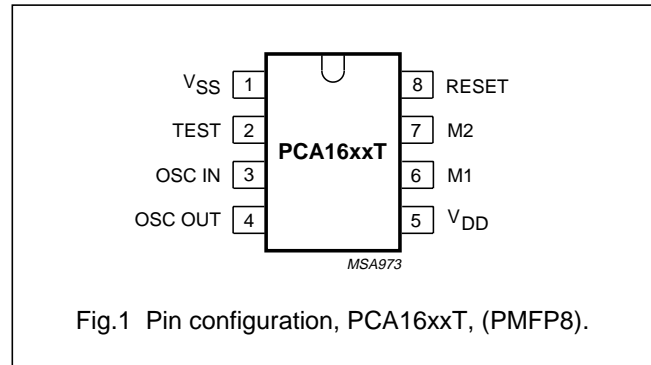
1. Figure 1 and Chapter "Package outline" show details of standard package, available for specified devices and for large orders only.  
Chapter "Chip dimensions and bonding pad locations" shows exact pad locations for other delivery formats.

## 32 kHz watch circuits with EEPROM

## PCA16xx series

## PINNING

SYMBOL	PIN	DESCRIPTION
V <sub>SS</sub>	1	ground (0 V)
TEST	2	test output
OSC IN	3	oscillator input
OSC OUT	4	oscillator output
V <sub>DD</sub>	5	positive supply voltage
M1	6	motor 1 output
M2	7	motor 2 output
RESET	8	reset input



## FUNCTIONAL DESCRIPTION AND TESTING

## Motor pulse

The motor pulse width ( $t_p$ ) and the cycle times ( $t_T$ ) are given in Chapter "Available types".

## Voltage level detector

The supply voltage is compared with the internal voltage reference  $V_{LIT}$  and  $V_{EOL}$  every minute. The first voltage level detection is carried out 30 ms after a RESET.

## Lithium mode

If a lithium voltage is detected ( $V_{DD} \geq V_{LIT}$ ), the circuit will operate in the lithium mode. The motor pulse will be produced with a 75% duty factor.

## Silver-oxide mode

If the voltage level detected is between  $V_{LIT}$  and  $V_{EOL}$ , the circuit will operate in silver-oxide mode.

Battery end-of-life<sup>(1)</sup>

If the battery end-of-life is detected ( $V_{DD} \leq V_{EOL}$ ), the motor pulse will be produced without chopping. To indicate this condition, bursts of 4 pulses are produced every 4 s.

## Power-on reset

For correct operation of the Power-on reset the rise time of  $V_{DD}$  from 0 V to 2.1 V should be less than 0.1 ms. All resettable flip-flops are reset. Additionally the polarity of the first motor pulse is positive:  $V_{M1} - V_{M2} \geq 0$  V.

## Customer testing

An output frequency of 32 Hz is provided at RESET (pin 8) to be used for exact frequency measurement. Every minute a jitter occurs as a result of time calibration, which occurs 90 to 150 ms after disconnecting the RESET from  $V_{DD}$ .

Connecting the RESET to  $V_{DD}$  stops the motor pulses leaving them in a HIGH impedance 3-state condition and a 32 Hz signal without jitter is produced at the TEST pin. A debounce circuit protects accidental stoppages due to mechanical shock to the watch ( $t_{DEB} = 14.7$  to 123.2 ms).

Connecting RESET to  $V_{SS}$  activates Tests 1 and 2 and disables the time calibration.

**Test 1,  $V_{DD} > V_{EOL}$ .** Normal function takes place except the voltage detection cycle ( $t_V$ ) is 125 ms and the cycle time  $t_{T1}$  is 31.25 ms. At pin TEST a minute signal is available at 8192 times its normal frequency.

**Test 2<sup>(2)</sup>,  $V_{DD} < V_{EOL}$ .** The voltage detection cycle ( $t_V$ ) is 31.25 ms and the motor pulse period ( $t_{T2}$ ) = 31.25 ms.

Test and reset mode are terminated by disconnecting the RESET pin.

**Test 3,  $V_{DD} > 5.1$  V.** Motor pulses with a time period of  $t_{T3} = 31.25$  ms and  $n \times 122 \mu s$  are produced to check the contents of the EEPROM. At pin TEST the motor pulse period signal ( $t_T$ ) is available at 1024 times its normal frequency. The circuit returns to normal operation when  $V_{DD} < 2.5$  V between two motor pulses.

(2) Only applicable for types with the battery end-of-life detector.

(1) Only available for types with a 1 s motor pulse.

### 32 kHz watch circuits with EEPROM

### PCA16xx series

**Time calibration**

Taking a normal quartz crystal with frequency 32768kHz, frequency deviation ( $\Delta f/f$ ) of  $\pm 15 \times 10^{-6}$  and  $C_L = 8.2$  pF; the oscillator frequency is offset (by using non-symmetrical internal oscillator input and output capacitances of 10 pF and 15 pF) such that the frequency deviation is positive-only. This positive deviation can then be compensated for to maintain time-keeping accuracy.

Once the positive frequency deviation is measured, a corresponding number 'n' (see Table 1) is programmed into the device's EEPROM. This causes n pulses of frequency 8192 Hz to be inhibited every minute of operation, which achieves the required calibration.

The programming circuit is shown in Fig.2. The required number n is programmed into EEPROM by varying  $V_{DD}$  according to the steps shown in Fig.3, which are explained below:

1. The positive quartz frequency deviation ( $\Delta f/f$ ) is measured, and the corresponding values of n are found according to Table 1.
2.  $V_{DD}$  is increased to 5.1 V allowing the contents of the EEPROM to be checked from the motor pulse period  $t_{T3}$  at nominal frequency.

3.  $V_{DD}$  is decreased to 2.5 V during a motor pulse to initialize a storing sequence.
4. The first  $V_{DD}$  pulse to 5.1 V erases the contents of EEPROM.
5. When the EEPROM is erased a logic 1 is at the TEST pin.
6.  $V_{DD}$  is increased to 5.1 V to read the data by pulsing  $V_{DD}$  n times to 4.5 V. After the n edge,  $V_{DD}$  is decreased to 2.5 V.
7.  $V_{DD}$  is increased to 5.1 V to store n bits in the EEPROM.
8.  $V_{DD}$  is decreased to 2.5 V to terminate the storing sequence and to return to operating mode.
9.  $V_{DD}$  is increased to 5.1 V to check writing from the motor pulse period  $t_{T3}$ .
10.  $V_{DD}$  is decreased to the operation voltage **between** two motor pulses to return to operating mode. (Decreasing  $V_{DD}$  during the motor pulse would restart the programming mode).

The time calibration can be reprogrammed up to 100 times.

**Table 1** Quartz crystal frequency deviation, n and  $t_{T3}$

FREQUENCY DEVIATION $\Delta f/f$ ( $\times 10^{-6}$ )	NUMBER OF PULSES (n)	$t_{T3}$ (ms)
0 <sup>(1)</sup>	0	31.250 <sup>(2)</sup>
+2.03	1	31.372
+4.06	2	31.494
.	.	.
.	.	.
.	.	.
+127.89	63	38.936

**Notes**

1. Increments of  $2.03 \times 10^{-6}$ /step.
2. Increments of 122  $\mu$ s/step.

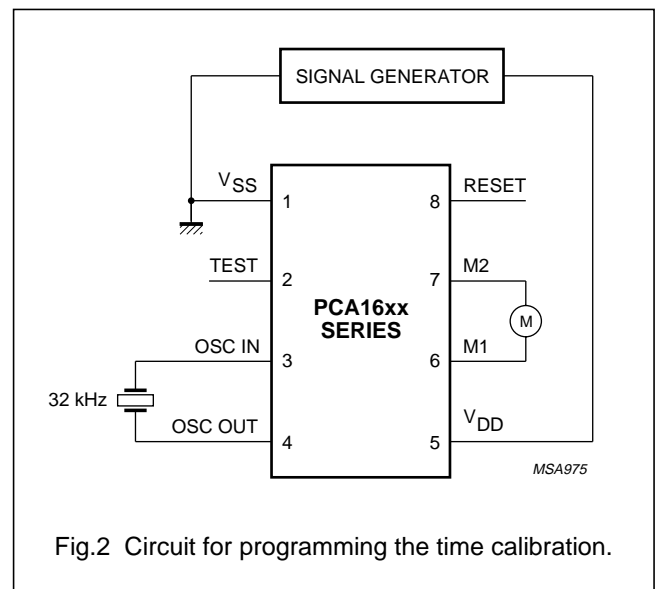
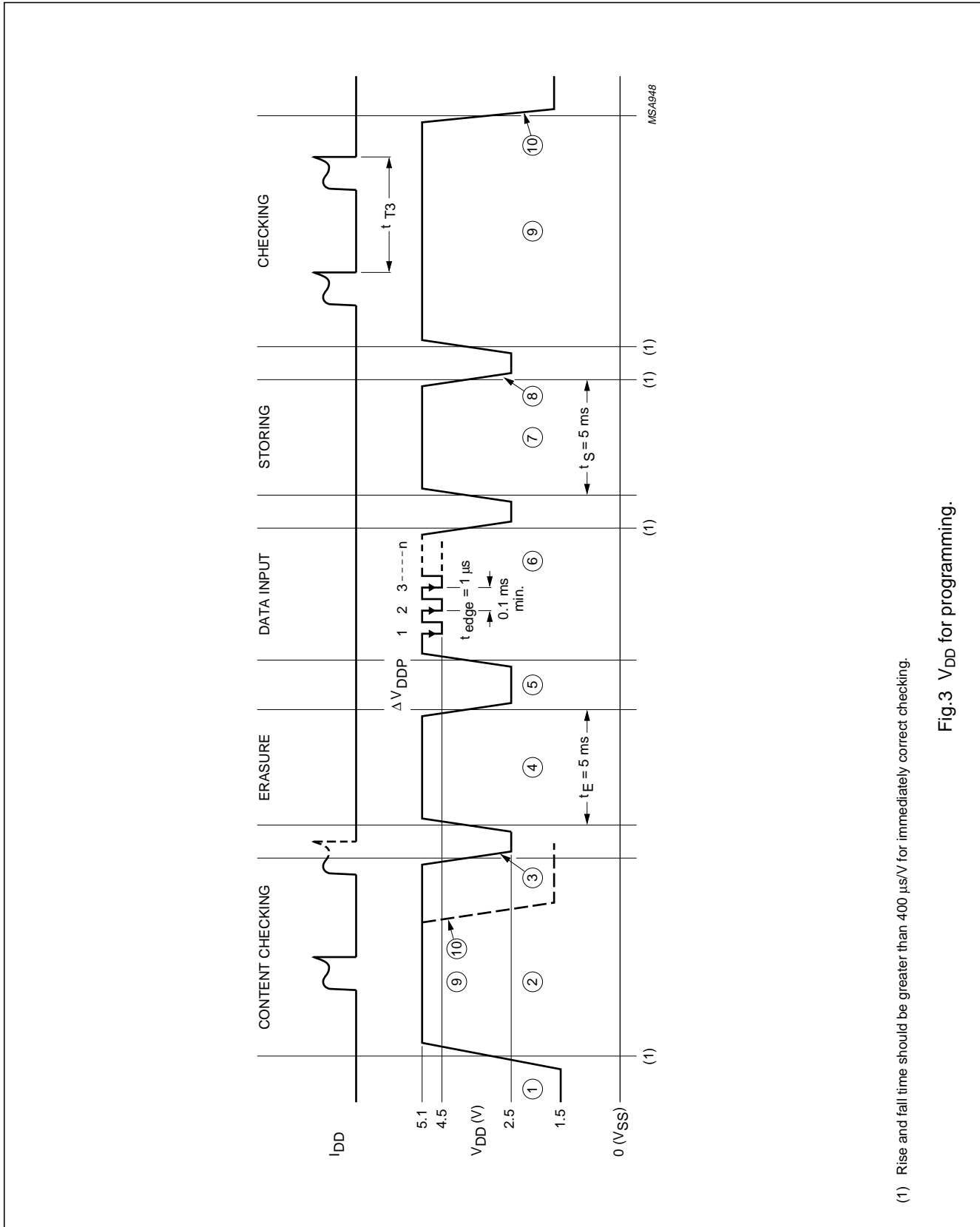


Fig.2 Circuit for programming the time calibration.

32 kHz watch circuits with EEPROM

PCA16xx series



(1) Rise and fall time should be greater than 400  $\mu\text{s/V}$  for immediately correct checking.

Fig.3  $V_{DD}$  for programming.

32 kHz watch circuits with EEPROM

PCA16xx series

**AVAILABLE TYPES**

Refer to Fig.4 and to Chapters "Ordering information" and "Functional description and testing".

SHORT TYPE NUMBER	DELIVERY FORMAT <sup>(1)</sup>	PERIOD $t_T$ (s)	SPECIFICATIONS				REMARKS
			PULSE WIDTH $t_p$ (ms)	DRIVE (%)	EEPROM	BATTERY EOL DETECTION	
1601	U/10	1	7.8	100	yes	no	
1602	T	1	7.8	75	yes	no	
1603	U/7	20	7.8	100	yes	no	
1604	U/10	5	7.8	75	yes	no	
1605	U/7	5	4.8	75	yes	no	
1606	U/10	10	6.8	100	yes	no	
1607	U	5	5.8	100 75	yes	no	1.5 V and 2.1 V Lithium
1608	U	5	7.8	100 75	yes	no	1.5 V and 2.1 V Lithium
1611	U	1	6.8	75	yes	no	
1621	U/7	20	4.8	100	yes	no	
1622	U	1	4.8	100	yes	yes	
1623	U	20	4.8	75	yes	no	
1624	U	12	3.9	75 56	yes	no	1.5 V and 2.1 V Lithium
1625	U/7	5	5.8	75	yes	no	
1626	U	20	5.8	100	yes	no	
1627	U/7	20	5.8	100 75	yes	no	1.5 V and 2.1 V Lithium
1628	U	20	5.8	75	yes	no	
1629	U/7	5	6.8	75	yes	no	

**Note**

- U = Chip in trays; U/7 = chip with bumps on tape; U/10 = chip on foil.  
T = SOT144-1.

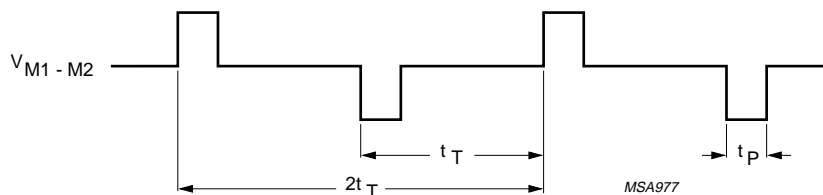


Fig.4 Motor output waveform (normal operation).

## 32 kHz watch circuits with EEPROM

## PCA16xx series

**LIMITING VALUES**

In accordance with the Absolute Maximum Rating System (IEC134).

SYMBOL	PARAMETER	CONDITIONS	MIN.	MAX.	UNIT
$V_{DD}$	supply voltage	$V_{SS} = 0$ V; note 1	-1.8	+6	V
$V_I$	all input voltages		$V_{SS}$	$V_{DD}$	V
	output short-circuit duration		indefinite		
$T_{amb}$	operating ambient temperature		-10	+60	°C
$T_{stg}$	storage temperature		-30	+100	°C

**Note**

1. Connecting the battery with reversed polarity does not destroy the circuit, but in this condition a large current flows, which will rapidly discharge the battery.

**HANDLING**

Inputs and outputs are protected against electrostatic discharges in normal handling. However, to be totally safe, it is advisable to take handling precautions appropriate to handling MOS devices. Advice can be found in "Data Handbook IC16, General, Handling MOS Devices".

**CHARACTERISTICS**

$V_{DD} = 1.55$  V;  $V_{SS} = 0$  V;  $f_{osc} = 32.768$  kHz;  $T_{amb} = 25$  °C; crystal:  $R_S = 20$  k $\Omega$ ;  $C_1 = 2$  to 3 fF;  $C_L = 8$  to 10 pF;  $C_0 = 1$  to 3 pF; unless otherwise specified.

Immunity against parasitic impedance = 20 M $\Omega$  from one pin to an adjacent pin.

SYMBOL	PARAMETER	CONDITIONS	MIN.	TYP.	MAX.	UNIT
<b>Supply</b>						
$V_{DD}$	supply voltage	$T_{amb} = -10$ to $+60$ °C	1.2	1.5	2.5	V
$\Delta V_{DD}$	supply voltage variation	transient; $V_{DD} = 1.2$ to $2.5$ V	-	-	0.25	V
$V_{DDP}$	supply voltage pulse	programming	5.0	5.1	5.2	V
$\Delta V_{DDP}$	supply voltage pulse variation	programming	0.55	0.6	0.65	V
$I_{DD1}$	supply current	between motor pulses	-	170	260	nA
$I_{DD2}$	supply current	between motor pulses; $V_{DD} = 2.1$ V	-	190	300	nA
$I_{DD3}$	supply current	stop mode; pin 8 connected to $V_{DD}$	-	180	280	nA
$I_{DD4}$	supply current	stop mode; pin 8 connected to $V_{DD}$ ; $V_{DD} = 2.1$ V	-	220	360	nA
$I_{DD5}$	supply current	$V_{DD} = 2.1$ V; $T_{amb} = -10$ to $+60$ °C	-	-	600	nA

## 32 kHz watch circuits with EEPROM

## PCA16xx series

SYMBOL	PARAMETER	CONDITIONS	MIN.	TYP.	MAX.	UNIT
<b>Motor output</b>						
$V_{sat}$	saturation voltage $\Sigma (P + N)$	$R_L = 2 \text{ k}\Omega$ ; $T_{amb} = -10 \text{ to } +60 \text{ }^\circ\text{C}$	–	150	200	mV
$R_{sc}$	short-circuit resistance $\Sigma (P + N)$	$I_{transistor} < 1 \text{ mA}$	–	200	300	$\Omega$
$t_T$	cycle time		note 1			
$t_P$	pulse width		note 2			
<b>Oscillator</b>						
$V_{OSC\ ST}$	starting voltage		1.2	–	–	V
$g_m$	transconductance	$V_{i(p-p)} \leq 50 \text{ mV}$	6	15	–	$\mu\text{S}$
$t_{osc}$	start-up time		–	1	–	s
$\Delta f/f$	frequency stability	$\Delta V_{DD} = 100 \text{ mV}$	–	$0.05 \times 10^{-6}$	$0.3 \times 10^{-6}$	
$C_i$	input capacitance		8	10	12	pF
$C_o$	output capacitance		12	15	18	pF
<b>Voltage level detector</b>						
$V_{LIT}$	threshold voltage	lithium mode	1.65	1.80	1.95	V
$V_{EOL}$	threshold voltage	battery end-of-life	1.27	1.38	1.46	V
$\Delta V_{VLD}$	hysteresis of threshold		–	10	–	mV
$TC_{VLD}$	temperature coefficient		–	–1	–	mV/K
$t_V$	voltage detection cycle		–	60	–	s
<b>Reset input</b>						
$f_o$	output frequency		–	32	–	Hz
$\Delta V_o$	output voltage swing	$R = 1 \text{ M}\Omega$ ; $C = 10 \text{ pF}$	1.4	–	–	V
$t_{edge}$	edge time	$R = 1 \text{ M}\Omega$ ; $C = 10 \text{ pF}$	–	1	–	$\mu\text{s}$
$I_{im}$	peak input current	note 3	–	320	–	nA
$I_{i(av)}$	average input current		–	10	–	nA
<b>Test mode</b>						
$t_{T1}$	cycle time for motor pulses in: test 1		–	125	–	ms
$t_{T2}$			–	31.25	–	ms
$t_{T3}$			see Chapter “Available types”			
$t_{DEB}$	debounce time	RESET = $V_{DD}$	14.7	–	123.2	ms
<b>Battery end-of-life</b>						
$t_{EOL}$	end-of-life sequence		–	4	–	s
$t_{E1}$	motor pulse width	see “Available types”	–	$t_P$	–	ms
$t_{E2}$	time between pulses		–	31.25	–	ms

**Notes**

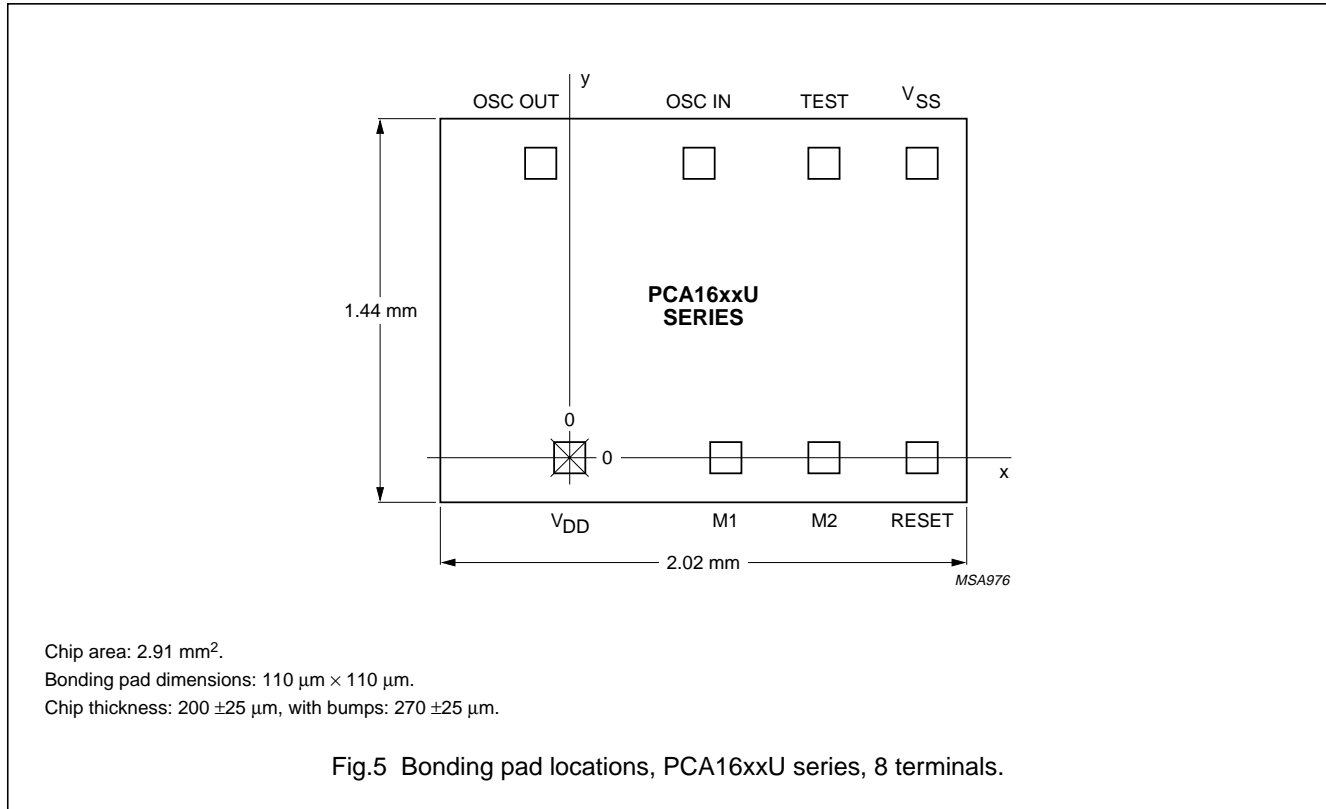
- Cycle time can be changed to one of the following values: 1, 5, 10, 12 or 20 s (see Chapter “Available types”).
- Pulse width can be varied from 2 ms to 15.7 ms in steps of 1 ms (see Chapter “Available types”).
- Duty factor is 1 : 32 and RESET =  $V_{DD}$  or  $V_{SS}$ .



32 kHz watch circuits with EEPROM

PCA16xx series

CHIP DIMENSIONS AND BONDING PAD LOCATIONS



**Table 2** Bonding pad locations (dimensions in μm)

All x/y coordinates are referenced to the centre of pad (V<sub>DD</sub>), see Fig.5.

PAD	x	y
V <sub>SS</sub>	1290	1100
TEST	940	1100
OSC IN	481	1100
OSC OUT	-102	1100
V <sub>DD</sub>	0	0
M1	578	0
M2	930	0
RESET	1290	0
chip corner (max. value)	-497.5	-170

# 32 kHz watch circuits with EEPROM

# PCA16xx series

## APPLICATION INFORMATION

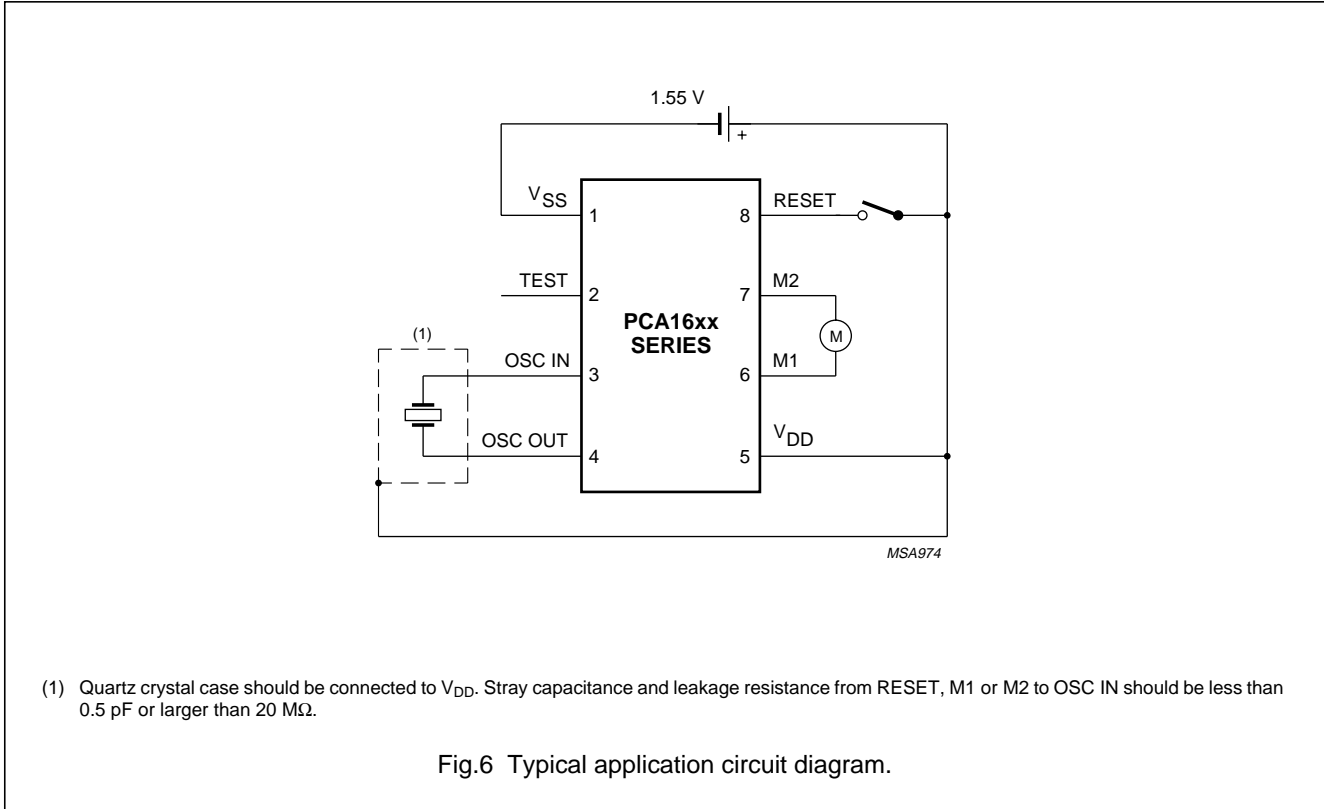


Fig.6 Typical application circuit diagram.

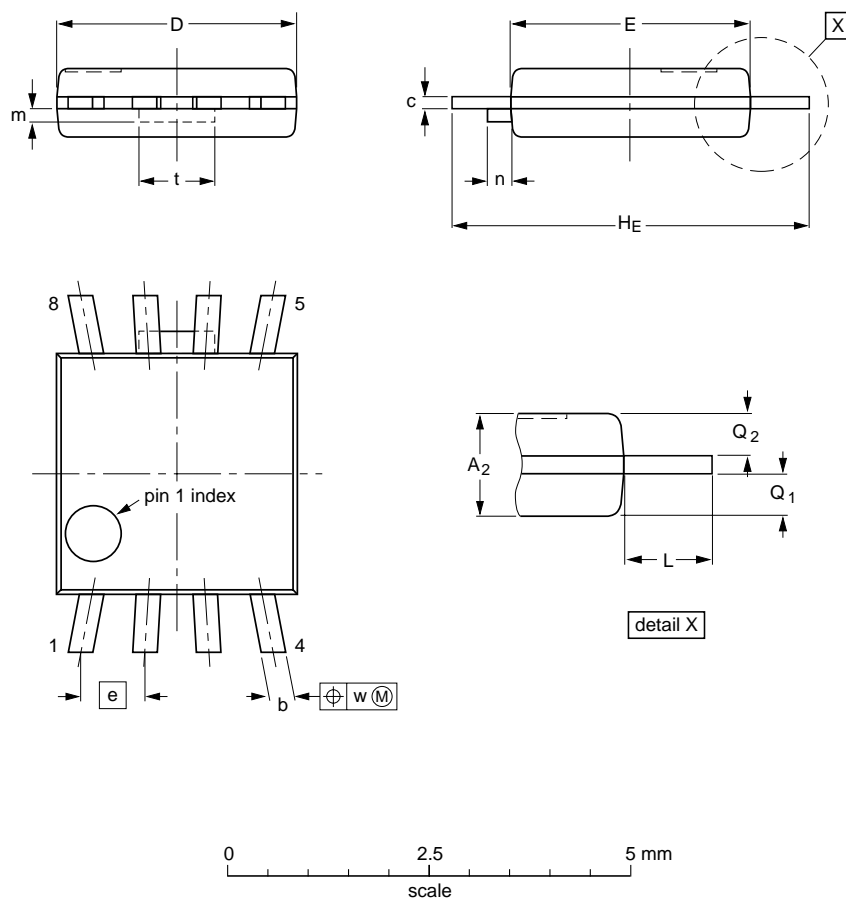
32 kHz watch circuits with EEPROM

PCA16xx series

PACKAGE OUTLINE

PMFP8: plastic micro flat package; 8 leads (straight)

SOT144-1



DIMENSIONS (mm are the original dimensions)

UNIT	A <sub>2</sub>	b	c	D <sup>(1)</sup>	E <sup>(1)</sup>	e	H <sub>E</sub>	L	m max.	n max.	Q <sub>1</sub>	Q <sub>2</sub>	t	w
mm	0.90 0.70	0.40 0.25	0.19 0.12	3.1 2.9	3.1 2.9	0.80	4.6 4.4	0.75	0.26	0.3	0.40 0.30	0.40 0.30	0.95	0.1

Note

1. Plastic or metal protrusions of 0.15 mm maximum per side are not included.

OUTLINE VERSION	REFERENCES				EUROPEAN PROJECTION	ISSUE DATE
	IEC	JEDEC	EIAJ			
SOT144-1						94-01-25 95-01-24

---

## 32 kHz watch circuits with EEPROM

## PCA16xx series

---

### SOLDERING

#### Introduction

There is no soldering method that is ideal for all IC packages. Wave soldering is often preferred when through-hole and surface mounted components are mixed on one printed-circuit board. However, wave soldering is not always suitable for surface mounted ICs, or for printed-circuits with high population densities. In these situations reflow soldering is often used.

This text gives a very brief insight to a complex technology. A more in-depth account of soldering ICs can be found in our *"IC Package Databook"* (order code 9398 652 90011).

#### Reflow soldering

Reflow soldering techniques are suitable for all SO packages.

Reflow soldering requires solder paste (a suspension of fine solder particles, flux and binding agent) to be applied to the printed-circuit board by screen printing, stencilling or pressure-syringe dispensing before package placement.

Several techniques exist for reflowing; for example, thermal conduction by heated belt. Dwell times vary between 50 and 300 seconds depending on heating method. Typical reflow temperatures range from 215 to 250 °C.

Preheating is necessary to dry the paste and evaporate the binding agent. Preheating duration: 45 minutes at 45 °C.

#### Wave soldering

Wave soldering techniques can be used for all SO packages if the following conditions are observed:

- A double-wave (a turbulent wave with high upward pressure followed by a smooth laminar wave) soldering technique should be used.
- The longitudinal axis of the package footprint must be parallel to the solder flow.
- The package footprint must incorporate solder thieves at the downstream end.

During placement and before soldering, the package must be fixed with a droplet of adhesive. The adhesive can be applied by screen printing, pin transfer or syringe dispensing. The package can be soldered after the adhesive is cured.

Maximum permissible solder temperature is 260 °C, and maximum duration of package immersion in solder is 10 seconds, if cooled to less than 150 °C within 6 seconds. Typical dwell time is 4 seconds at 250 °C.

A mildly-activated flux will eliminate the need for removal of corrosive residues in most applications.

#### Repairing soldered joints

Fix the component by first soldering two diagonally-opposite end leads. Use only a low voltage soldering iron (less than 24 V) applied to the flat part of the lead. Contact time must be limited to 10 seconds at up to 300 °C. When using a dedicated tool, all other leads can be soldered in one operation within 2 to 5 seconds between 270 and 320 °C.

## 32 kHz watch circuits with EEPROM

## PCA16xx series

**DEFINITIONS**

<b>Data sheet status</b>	
Objective specification	This data sheet contains target or goal specifications for product development.
Preliminary specification	This data sheet contains preliminary data; supplementary data may be published later.
Product specification	This data sheet contains final product specifications.
<b>Limiting values</b>	
Limiting values given are in accordance with the Absolute Maximum Rating System (IEC 134). Stress above one or more of the limiting values may cause permanent damage to the device. These are stress ratings only and operation of the device at these or at any other conditions above those given in the Characteristics sections of the specification is not implied. Exposure to limiting values for extended periods may affect device reliability.	
<b>Application information</b>	
Where application information is given, it is advisory and does not form part of the specification.	

**LIFE SUPPORT APPLICATIONS**

These products are not designed for use in life support appliances, devices, or systems where malfunction of these products can reasonably be expected to result in personal injury. Philips customers using or selling these products for use in such applications do so at their own risk and agree to fully indemnify Philips for any damages resulting from such improper use or sale.

32 kHz watch circuits with EEPROM

PCA16xx series

---

**NOTES**

32 kHz watch circuits with EEPROM

PCA16xx series

---

**NOTES**

# Philips Semiconductors – a worldwide company

**Argentina:** see South America

**Australia:** 34 Waterloo Road, NORTH RYDE, NSW 2113,  
Tel. +61 2 9805 4455, Fax. +61 2 9805 4466

**Austria:** Computerstr. 6, A-1101 WIEN, P.O. Box 213,  
Tel. +43 1 60 101, Fax. +43 1 60 101 1210

**Belarus:** Hotel Minsk Business Center, Bld. 3, r. 1211, Volodarski Str. 6,  
220050 MINSK, Tel. +375 172 200 733, Fax. +375 172 200 773

**Belgium:** see The Netherlands

**Brazil:** see South America

**Bulgaria:** Philips Bulgaria Ltd., Energoproject, 15th floor,  
51 James Bourchier Blvd., 1407 SOFIA,  
Tel. +359 2 689 211, Fax. +359 2 689 102

**Canada:** PHILIPS SEMICONDUCTORS/COMPONENTS,  
Tel. +1 800 234 7381

**China/Hong Kong:** 501 Hong Kong Industrial Technology Centre,  
72 Tat Chee Avenue, Kowloon Tong, HONG KONG,  
Tel. +852 2319 7888, Fax. +852 2319 7700

**Colombia:** see South America

**Czech Republic:** see Austria

**Denmark:** Prags Boulevard 80, PB 1919, DK-2300 COPENHAGEN S,  
Tel. +45 32 88 2636, Fax. +45 31 57 0044

**Finland:** Sinikalliontie 3, FIN-02630 ESPOO,  
Tel. +358 9 615800, Fax. +358 9 61580920

**France:** 4 Rue du Port-aux-Vins, BP317, 92156 SURESNES Cedex,  
Tel. +33 1 40 99 6161, Fax. +33 1 40 99 6427

**Germany:** Hammerbrookstraße 69, D-20097 HAMBURG,  
Tel. +49 40 23 53 60, Fax. +49 40 23 536 300

**Greece:** No. 15, 25th March Street, GR 17778 TAVROS/ATHENS,  
Tel. +30 1 4894 339/239, Fax. +30 1 4814 240

**Hungary:** see Austria

**India:** Philips INDIA Ltd, Shivsagar Estate, A Block, Dr. Annie Besant Rd.  
Worli, MUMBAI 400 018, Tel. +91 22 4938 541, Fax. +91 22 4938 722

**Indonesia:** see Singapore

**Ireland:** Newstead, Clonskeagh, DUBLIN 14,  
Tel. +353 1 7640 000, Fax. +353 1 7640 200

**Israel:** RAPAC Electronics, 7 Kehilat Saloniki St, PO Box 18053,  
TEL AVIV 61180, Tel. +972 3 645 0444, Fax. +972 3 649 1007

**Italy:** PHILIPS SEMICONDUCTORS, Piazza IV Novembre 3,  
20124 MILANO, Tel. +39 2 6752 2531, Fax. +39 2 6752 2557

**Japan:** Philips Bldg 13-37, Kohnan 2-chome, Minato-ku, TOKYO 108,  
Tel. +81 3 3740 5130, Fax. +81 3 3740 5077

**Korea:** Philips House, 260-199 Itaewon-dong, Yongsan-ku, SEOUL,  
Tel. +82 2 709 1412, Fax. +82 2 709 1415

**Malaysia:** No. 76 Jalan Universiti, 46200 PETALING JAYA, SELANGOR,  
Tel. +60 3 750 5214, Fax. +60 3 757 4880

**Mexico:** 5900 Gateway East, Suite 200, EL PASO, TEXAS 79905,  
Tel. +9-5 800 234 7381

**Middle East:** see Italy

**Netherlands:** Postbus 90050, 5600 PB EINDHOVEN, Bldg. VB,  
Tel. +31 40 27 82785, Fax. +31 40 27 88399

**New Zealand:** 2 Wagener Place, C.P.O. Box 1041, AUCKLAND,  
Tel. +64 9 849 4160, Fax. +64 9 849 7811

**Norway:** Box 1, Manglerud 0612, OSLO,  
Tel. +47 22 74 8000, Fax. +47 22 74 8341

**Philippines:** Philips Semiconductors Philippines Inc.,  
106 Valero St. Salcedo Village, P.O. Box 2108 MCC, MAKATI,  
Metro MANILA, Tel. +63 2 816 6380, Fax. +63 2 817 3474

**Poland:** Ul. Lukiska 10, PL 04-123 WARSZAWA,  
Tel. +48 22 612 2831, Fax. +48 22 612 2327

**Portugal:** see Spain

**Romania:** see Italy

**Russia:** Philips Russia, Ul. Usatcheva 35A, 119048 MOSCOW,  
Tel. +7 095 755 6918, Fax. +7 095 755 6919

**Singapore:** Lorong 1, Toa Payoh, SINGAPORE 1231,  
Tel. +65 350 2538, Fax. +65 251 6500

**Slovakia:** see Austria

**Slovenia:** see Italy

**South Africa:** S.A. PHILIPS Pty Ltd., 195-215 Main Road Martindale,  
2092 JOHANNESBURG, P.O. Box 7430 Johannesburg 2000,  
Tel. +27 11 470 5911, Fax. +27 11 470 5494

**South America:** Rua do Rocio 220, 5th floor, Suite 51,  
04552-903 São Paulo, SÃO PAULO - SP, Brazil,  
Tel. +55 11 821 2333, Fax. +55 11 829 1849

**Spain:** Balmes 22, 08007 BARCELONA,  
Tel. +34 3 301 6312, Fax. +34 3 301 4107

**Sweden:** Kottbygatan 7, Akalla, S-16485 STOCKHOLM,  
Tel. +46 8 632 2000, Fax. +46 8 632 2745

**Switzerland:** Allmendstrasse 140, CH-8027 ZÜRICH,  
Tel. +41 1 488 2686, Fax. +41 1 481 7730

**Taiwan:** Philips Semiconductors, 6F, No. 96, Chien Kuo N. Rd., Sec. 1,  
TAIPEI, Taiwan Tel. +886 2 2134 2865, Fax. +886 2 2134 2874

**Thailand:** PHILIPS ELECTRONICS (THAILAND) Ltd.,  
209/2 Sanpavuth-Bangna Road Prakanong, BANGKOK 10260,  
Tel. +66 2 745 4090, Fax. +66 2 398 0793

**Turkey:** Talatpasa Cad. No. 5, 80640 GÜLTEPE/ISTANBUL,  
Tel. +90 212 279 2770, Fax. +90 212 282 6707

**Ukraine:** PHILIPS UKRAINE, 4 Patrice Lumumba str., Building B, Floor 7,  
252042 KIEV, Tel. +380 44 264 2776, Fax. +380 44 268 0461

**United Kingdom:** Philips Semiconductors Ltd., 276 Bath Road, Hayes,  
MIDDLESEX UB3 5BX, Tel. +44 181 730 5000, Fax. +44 181 754 8421

**United States:** 811 East Arques Avenue, SUNNYVALE, CA 94088-3409,  
Tel. +1 800 234 7381

**Uruguay:** see South America

**Vietnam:** see Singapore

**Yugoslavia:** PHILIPS, Trg N. Pasica 5/v, 11000 BEOGRAD,  
Tel. +381 11 625 344, Fax. +381 11 635 777

**For all other countries apply to:** Philips Semiconductors, Marketing & Sales Communications,  
Building BE-p, P.O. Box 218, 5600 MD EINDHOVEN, The Netherlands, Fax. +31 40 27 24825

**Internet:** <http://www.semiconductors.philips.com>

© Philips Electronics N.V. 1997

SCA54

All rights are reserved. Reproduction in whole or in part is prohibited without the prior written consent of the copyright owner.

The information presented in this document does not form part of any quotation or contract, is believed to be accurate and reliable and may be changed without notice. No liability will be accepted by the publisher for any consequence of its use. Publication thereof does not convey nor imply any license under patent- or other industrial or intellectual property rights.

Printed in The Netherlands

417087/1200/03/pp16

Date of release: 1997 Dec 12

Document order number: 9397 750 03142

*Let's make things better.*

**Philips**  
Semiconductors



**PHILIPS**



## X-ON Electronics

Largest Supplier of Electrical and Electronic Components

*Click to view similar products for [Motor/Motion/Ignition Controllers & Drivers](#) category:*

*Click to view products by [NXP](#) manufacturer:*

Other Similar products are found below :

[LV8133JA-ZH](#) [LV8169MUTBG](#) [LV8774Q-AH](#) [LV8860PV-TLM-H](#) [MC33931EKR2](#) [MC34GD3000EP](#) [FSB50250UTD](#) [FSB50550TB2](#)  
[FSBF15CH60BTH](#) [MP6507GR-P](#) [MP6508GF](#) [MSVCPM2-63-12](#) [MSVGW45-14-2](#) [MSVGW54-14-5](#) [NTE7043](#) [CAT3211MUTAG](#)  
[LA6245P-CL-TLM-E](#) [LA6245P-TLM-E](#) [LA6565VR-TLM-E](#) [LB11650-E](#) [LB1694N-E](#) [LB1837M-TLM-E](#) [LB1845DAZ-XE](#) [LC898111AXB-](#)  
[MH](#) [LC898300XA-MH](#) [SS30-TE-L-E](#) [STK531-345A-E](#) [STK581U3A0D-E](#) [STK58AUNP0D-E](#) [STK621-068C-E](#) [STK621-140C](#) [STK621-](#)  
[728S-E](#) [STK625-728-E](#) [STK672-400B-E](#) [STK672-432AN-E](#) [STK672-432BN-E](#) [STK672-440AN-E](#) [STK672-442AN-E](#) [AMIS30621AUA](#)  
[FSB50550ASE](#) [26700](#) [LV8161MUTAG](#) [LV8281VR-TLM-H](#) [LV8702V-TLM-H](#) [LV8734VZ-TLM-H](#) [LV8773Z-E](#) [LV8807QA-MH](#)  
[MC33932EK](#) [MCP8024T-H/MP](#) [TND027MP-AZ](#)