

PTN38007

Multi-protocol USB4 20 Gbps linear redriver

Rev. 2.1 — 8 December 2021

Product data sheet

1 General description

PTN38007 is a high-performance USB Type-C USB3.2/DisplayPort/Thunderbolt3/USB4 multi-protocol linear redriver that is optimized for USB3.2, DisplayPort and Thunderbolt3/USB4 applications on either the downstream facing port (DFP) or upstream facing port (UFP) application.

PTN38007 addresses high-speed signal quality enhancement requirements for implementation of USB Type-C interface in a platform that supports the USB Type-C, VESA DisplayPort and Thunderbolt Alternate Mode Standards. This device also implements the snooping monitor of the sideband (SB) signals from DP mode (AUX) and Thunderbolt3/USB4 mode (SBTX/RX) to optimize the configuration, power saving mode and performance.

The device provides programmable linear equalization, output swing linearity control by pin strapping or I²C control to improve signal integrity and enable channel extension by reducing inter-symbol interference (ISI). DisplayPort AUX snooping is performed to follow certain DisplayPort source-sink AUX transactions and configure the redriver to meet link requirements. Thunderbolt3/USB4 SB snooping is performed to optimized the power saving mode and configuration.

For USB operation, PTN38007 has built-in advanced power management capability that enables significant power saving under USB3.2 low power modes (U2/U3). It detects LFPS (Low Frequency Periodic Signaling)/LBPM (LFPS Based PWM Message) signaling to configure the operation (USB3.2 Gen 1/Gen 2 & x1/x2) and link electrical conditions and it activates/deactivates internal circuitry and logic dynamically. The device performs these actions without host software intervention and conserves power. The host processor keeps PTN38007 in deep power saving or USB mode until alternate mode has been entered.

The device is tailored to support USB3.2 and USB4 electrical idle, receiver detection and power saving modes. It maintains two separate input signal detectors – loss of high-speed signal (LOS) and USB LFPS detectors with built-in hysteresis.

For DisplayPort (DP) operation, PTN38007 monitors the AUX transactions and adjusts the DisplayPort channel setting during DP Link initialization and training.

For Thunderbolt3 (TBT3) and USB4, PTN38007 monitors SBTX and SBRX sideband traffic to optimize the performance. It decodes LT transaction to determine link and power status.

PTN38007 is powered from a 1.8 V supply. It is available in a small high performance HWFLGA36 package.



2 Features and benefits

- Flexible multi-protocol linear redriver supports five signaling combinations specified in USB Type-C and VESA specifications
 - Mode 0: Deep Power saving
 - Mode 1: USB3.2 Gen1x1/Gen1x2/Gen2x1/Gen2x2
 - Mode 2: USB3.2 + DP 2-Lane + AUX snooping
 - Mode 3: DP 4-Lane + AUX snooping
 - Mode 4: Thunderbolt3 mode + SB snooping
 - Mode 5: USB4 mode + SB snooping
- Supports USB 3.2 Gen1x1, Gen 1x2, Gen2x1, Gen2x2 (5 Gbps and 10 Gbps)
 - I²C register based Flat gain control
 - Peaking gain of +12.1 dB at 5 GHz
 - Output swing linearity control: 500 mVppd to 950 mVppd
- Support DP2.0 link rates at 1.62 Gbps (RBR), 2.7 Gbps (HBR), 5.4 Gbps (HBR2), 8.1 Gbps (HBR3), 10 Gbps (UHBR10), 13.5 Gbps (UHBR13.5), 20 Gbps (UHBR20)
 - DP AUX monitoring during DP link training to control DP channel
 - I²C register based Flat gain control
 - Peaking gain of +10.2 dB at 4.05 GHz, 20 dB at 10 GHz
 - Output swing linearity control: 500 mVppd to 950 mVppd
- Support Thunderbolt3/USB4 lane speed of 10/10.3125/20/20.6 Gbps
 - SBTX and SBRX snooping
 - I²C register based Flat gain control
 - Peaking gain of +20 dB at 10 GHz
 - Output swing linearity control: 500 mVppd to 950 mVppd
- Compliant to DisplayPort, Thunderbolt3 and USB4, USB3.2 standard and USB Type-C Alternate mode interoperability testing
 - Implements USB Type-C Safe state conditions on all connector facing pins
- Configurable via I²C interface with a configurable address pin
- Integrated termination resistors provide impedance matching on both transmit and receive sides
- Autonomous Orientation detection of USB-C connection and its configurable enable control
- Supports maximum voltage limit ($V_{\text{voltage_jump}}$) to align to the latest USB3 specification and computing platform capabilities
- RX equalizers on all high-speed inputs to compensate for signal attenuation
- Automatic receiver termination detection in USB 3.2 and USB4 modes
- Good linearity over the frequency band (50 MHz to 10.3 GHz) and voltage dynamic range
- Excellent Differential return loss performance: < -16 dB up to 10.3 GHz
- Flow-through pin-out to ease PCB layout and minimize crosstalk effects
 - Very low crosstalk: DDNEXT < -50 dB up to 10.3 GHz

- Low active current consumption for output swing linearity control of 950 mVppd
 - USB3.2 Gen2x2 or Gen1x2 (Mode 1) active power: 250 mA (typ)
 - USB3.2 Gen2x1 or Gen1x1 (Mode 1) active power: 125 mA (typ)
 - 1-lane DP HBR3/UHBR10/UHBR13.5/UHBR20 (Mode 2 or 3): 62 mA (typ)
 - 2-lane DP HBR3/UHBR10/UHBR13.5/UHBR20 (Mode 2 or 3): 125 mA (typ)
 - 4-lane DP only HBR3/UHBR10/UHBR13.5/UHBR20 (Mode 3): 250 mA (typ)
 - Thunderbolt3/USB4 dual-lanes (Modes 4 and 5): 250 mA (typ)
- Power-saving states:
 - USB3.2 (Mode 1)
 - 0.22 mA (typ) when 2 lanes are enabled in USB3 U2/U3 states
 - 0.11 mA (typ) when 1 lane is enabled in USB3 U2/U3 states
 - 0.11 mA (typ) only Rx detection is enabled on 1 lane when no connection detected (USB Rx detection enabled)
 - DisplayPort sleep D3 mode (Mode 3): 3.2 mA (typ)
 - Thunderbolt3/USB4 in CL1/CL2 state (Mode 4/5)
 - 0.65 mA when in low power state (2 lanes)
 - 10 µA (typ) when in deep power saving state
- Hot Plug capable:
 - Support USB Type-C plug connection through PD controller
- Power Supply 1.7 V to 1.9 V
- Small high performance HWFLGA36 package
- ESD HBM 1.5 kV, CDM 1 kV
- Operating temperature range -20 °C to +85 °C

3 Applications

- For USB Type-C host/source application
 - Smartphones and tablets
 - Notebooks, AIO and desktop computers
 - Hub or Dock Devices
- For USB Type-C device/sink application
 - Docking stations
 - Display units

4 Ordering information

Table 1. Ordering information

Type number	Topside marking	Package		
		Name	Description	Version
PTN38007EW	87	HWFLGA36	plastic thermal enhanced very very thin fine-pitch land grid array package	SOT1948-1

4.1 Ordering options

Table 2. Ordering options

Type number	Orderable part number	Package	Packing method	Minimum order quantity	Temperature
PTN38007EW	PTN38007EWY	HWFLGA36	reel dry pack, SMD, 13" Q1	7000	T _{amb} = -20 °C to 85 °C

5 Block diagram

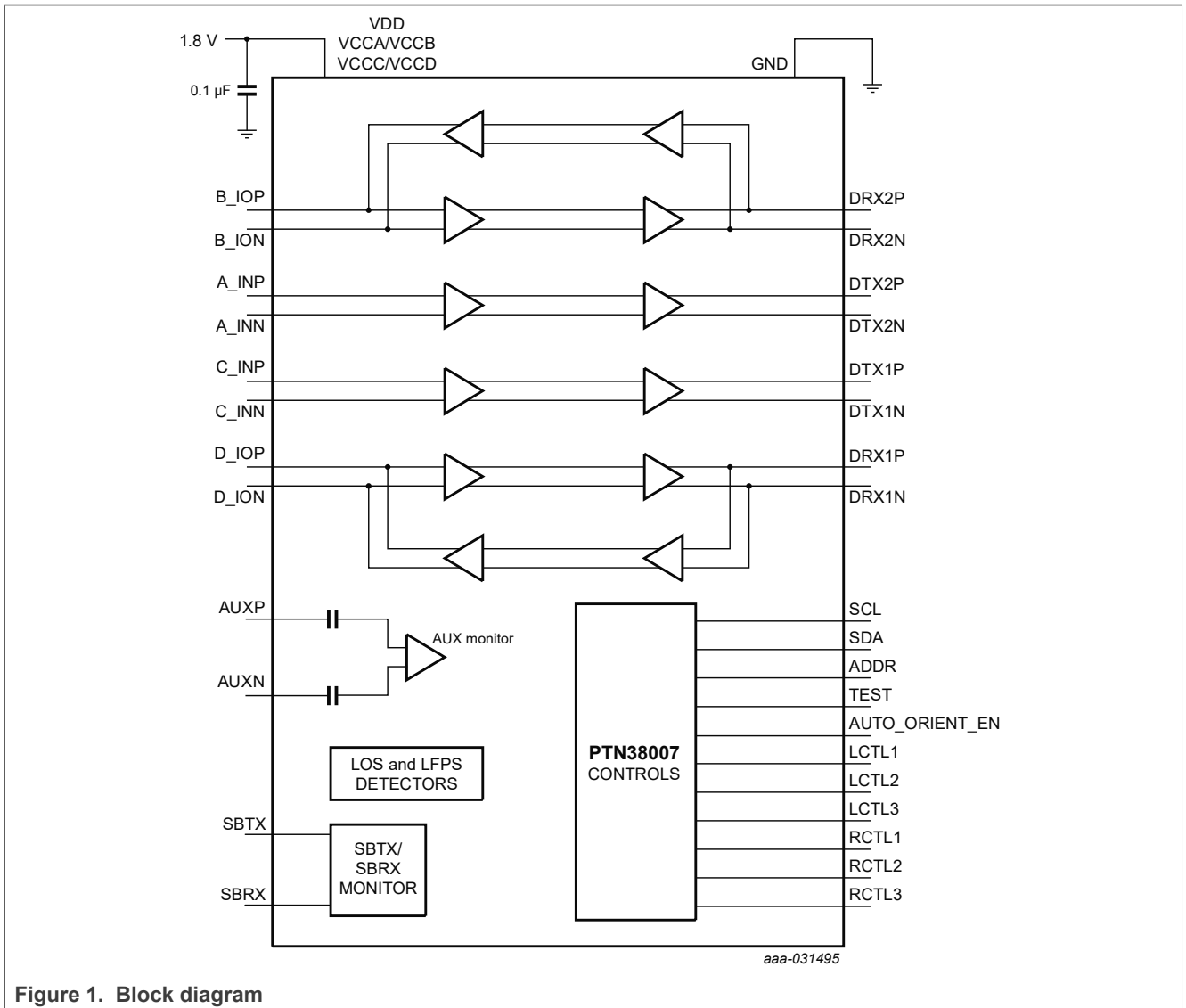
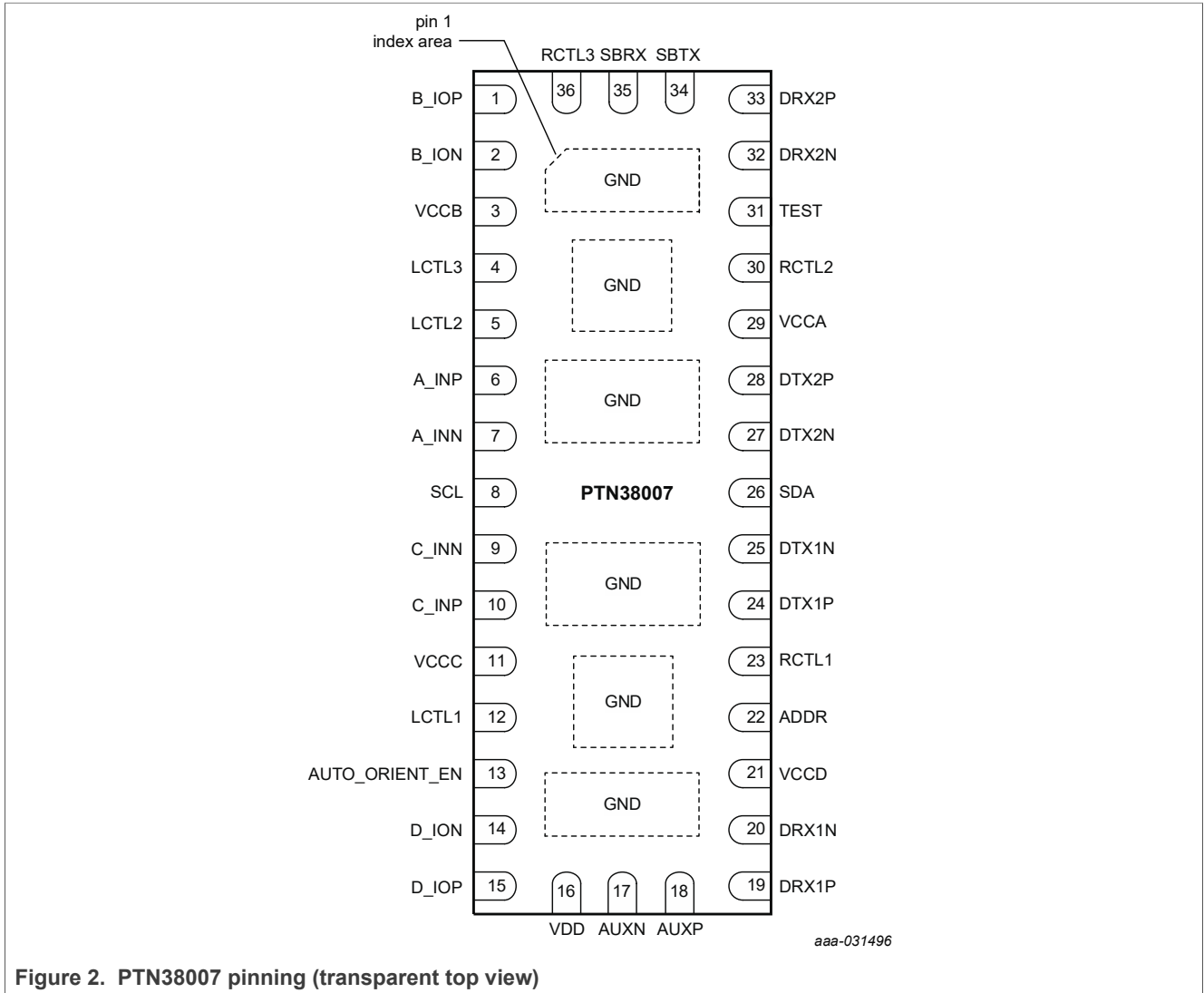


Figure 1. Block diagram

6 Pinning information

6.1 Pinning



6.2 Pin description

Table 3. Pin description

Symbol	Pin	Type	Description
1	B_IOP	Self-biasing differential input/output	Differential signal high-speed input/output. B_IOP makes a differential pair with B_ION. The associated output/input pair is DRX2P and DRX2N. The I/O configuration is controlled by mode setting
2	B_ION		

Table 3. Pin description...continued

Symbol	Pin	Type	Description
3	VCCB	Power pins for high-speed paths	These dedicated power pins for high-speed differential pairs provide good signal integrity and isolation
11	VCCC		
21	VCCD		
29	VCCA		
4	LCTL3	Ternary Input	Ternary Input for controlling Output Swing Linearity on the downstream side of the redriver. Please refer to Table 10 for details
12	LCTL1	Ternary input	LCTL1 and LCTL2 are EQ Peaking Gain setting pins for inputs on upstream side of the redriver. Please refer to Table 8 for details
5	LCTL2		
6	A_INP	Self-biasing differential input	Differential signal from high-speed RX path. A_INP makes a differential pair with A_INN. The associated TX output pair is DTX2P and DTX2N
7	A_INN		
8	SCL	Open Drain input	When operating in I ² C mode, this pin is slave I ² C clock pin, and external pull-up resistor to I ² C supply (1.8 V or 3.3 V) is required
9	C_INN	Self-biasing differential input	Differential signal from high-speed RX path. C_INP makes a differential pair with C_INN. The associated TX output pair is DTX1P and DTX1N
10	C_INP		
13	AUTO_ORIENT_EN	Binary input	<p>Input for Auto Orientation Detection Enable:</p> <ul style="list-style-type: none"> • If the pin input is HIGH, Autonomous orientation detection is enabled • If this pin is LOW, Autonomous orientation detection is disabled <p>The pin can be either strapped in the application or connected to host processor. The pin is sampled at POR for initiating orientation detection process. This pin has a weak internal pulldown resistor (2 MΩ typ) to GND. The resistor value could change based on die area available and maximum leakage current on the pin.</p>
14	D_IOP	Self-biasing differential input/output	Differential signal high-speed input/output. D_IOP makes a differential pair with D_ION. The associated output/input pair is DRX1P and DRX1N. The I/O configuration is controlled by mode setting
15	D_ION		
16	VDD	Power	1.8 V Supply for I ² C, AUX snooping and digital blocks
17	AUXN	Input	DP AUX channel snooping input
18	AUXP		
19	DRX1P	Self-biasing differential input/output	Differential signal high-speed input/output. DRX1P makes a differential pair with DRX1N. The associated output/input pair is D_IOP and D_ION. The I/O configuration is controlled by mode setting
20	DRX1N		
22	ADDR	Quaternary Input	I ² C slave address selection pin in I ² C mode
23	RCTL1	Ternary input	RCTL1 and RCTL2 are EQ Peaking Gain setting pins for inputs on downstream side of the redriver. Please refer to Table 8 for details
30	RCTL2		

Table 3. Pin description...continued

Symbol	Pin	Type	Description
24	DTX1P	Self-biasing differential output	Differential signal of high-speed TX path. DTX1P makes a differential pair with DTX1N. The associated RX input pair is C_INP and C_INN
25	DTX1N		
26	SDA	Binary open drain input/output	When PTN38007 is operating in I ² C mode, this pin is slave I ² C Data pin, and external pull-up resistor to I ² C supply (1.8 V or 3.3 V) is required
27	DTX2N	Self-biasing differential output	Differential signal of high-speed TX path. DTX2P makes a differential pair with DTX2N. The associated RX input pair is A_INP and A_INN
28	DTX2P		
31	TEST	Reserved Test pin	Reserved for test purpose only. Must be connected to GND in the system application
32	DRX2N	Self-biasing differential input/output	Differential signal high-speed input/output. DRX2P makes a differential pair with DRX2N. The associated output/input pair is B_IOP and B_ION. The I/O configuration is controlled by mode setting
33	DRX2P		
34	SBTX	Input	Thunderbolt3/USB4 sideband control pins
35	SBRX		
36	RCTL3	Ternary input	Ternary input for controlling Output Swing Linearity on the upstream side of the redriver. Please refer to Table 10 for details
Center pads	GND		These 6 center pads must be connected to GND plane for both electrical grounding and thermal relief

7 Functional description

7.1 USB3.2 operation

PTN38007 supports USB3.2 Redriver operation at Gen1 (5 Gbps) and Gen2 (10 Gbps) data rates. The receive equalization – peaking gain and linearity level (-1 dB compression point) are configured either via I²C register settings or pin strapping.

PTN38007 has implemented an advanced power management scheme that operates in tune with USB Bus electrical condition. Though the device does not decode USB power management commands (related to USB3 U1/U2/U3 transitions) exchanged between USB Host and Peripheral/Device, it relies on bus electrical conditions and control pins/register settings to decide to be in one of the following states:

- Active state wherein device is fully operational. In this state, USB connection exists and the Receive Termination remains active.
- Power-saving state wherein some portions of the TX and RX channels are kept enabled. In this state, LOS detector, LFPS/LBPM detection and/or Receive termination detection circuitry are active. Based on USB connection, there are two possibilities:
 - No USB connection (also called Rx-detect state)
 - Receive Termination detection circuitry keeps polling periodically
 - RX and TX signal paths (including LOS detector) are not enabled
 - Receive Termination is not active
 - When USB connection exists and when the link is in USB U2/U3 mode,
 - Receive Termination detection circuitry keeps polling periodically
 - RX and TX signal paths are not enabled; LOS detector is disabled, and LFPS detector is enabled.
 - Receive Termination is active

7.2 DisplayPort operation

PTN38007 supports DisplayPort v1.4/2.0 operation seamlessly at 1.62 Gbps, 2.7 Gbps, 5.4 Gbps, 8.1 Gbps, 10 Gbps, 13.5 Gbps, and 20 Gbps with receiver equalization and output swing linearity control.

The DisplayPort mode is selected only when DP alternate mode has been entered by the host controller. The DisplayPort source can activate power down via AUX command. DP spec supports two modes – D0/active or D3/Low power mode. In D0 mode, the linear redriver data path is active depending on the state of the DP link. In D3 mode, the AUX snooping logic is active while high-speed path is disabled resulting in lower current consumption.

The DisplayPort lane count is configured during DisplayPort link training phase based on AUX communication exchanges between source and sink.

PTN38007 performs equalization control for DP signals, and can be configured by LCTL[3:1] and RCTL[3:1] settings through either I²C or pin strapping.

PTN38007 uses lane count information for configuring the transmitters and receivers. It is possible that only a subset of lanes gets selected during DP Link training and remaining lanes are not active. Depending on the number of lanes selected, PTN38007 is configured to operate with the selected lane count thereby saving power consumption on unused lanes.

7.2.1 AUX monitoring and configuration

PTN38007 monitors DP AUX communication exchanges that occur between DP source and DP sink. It detects AUX communication involving DPCD register controls – Lane count, sleep, wake and configures its operation suitably. AUX monitor function is enabled when operating mode is set to Mode 2 (USB+DP 2-Lane) or 3 (DP 4-Lane), and is disabled in other mode settings.

The list of DPCD registers (with only the relevant bit fields) supported are as follows:

- LANE_COUNT_SET
- SET POWER
- Other DPCD registers and I²C over AUX transactions are not decoded

Input receive equalization is determined by LCTL[2:1] pins, and output linearity (-1 dB compression point) is controlled by LCTL3.

All lanes of DP redriver can be configured separately on a per lane basis using I²C. When the Lane-Count is set via AUX, then the legal values are 1,2,4. If AUX tries to set it to 0, PTN38007 ignores it, and continues with the last known legal value. When the Lane-Count is set via I²C, then the legal values are 0,1,2,4. If I²C sets it to 0, PTN38007 disables all the lanes.

- Operational Mode = 0/1, DP Lane count = 0
- Operational Mode = 2, DP Lane count = 1 or 2
- Operational Mode = 3, DP lane count = 1, 2 or 4

7.3 Thunderbolt3/USB4 operation

PTN38007 supports the 3rd generation Thunderbolt and USB4. It is also backward compatible to the first and 2nd generation Thunderbolt systems that follow the USB Type-C Thunderbolt Specification r1p5 D0.8.

7.3.1 SB snooping monitor

Thunderbolt and USB4 systems use sideband interface (SBTX/SBRX) to communicate and exchange information between link partners and end systems. UART signaling is done over SBTX/SBRX at 1 Mbaud. The SBTX/SBRX are connected to SBU1/SBU2 after negotiation to the Thunderbolt/USB4 mode of operation. SBTX is a serial transmit signal from Thunderbolt/USB4 Controller, and SBRX is a serial receive signal to Thunderbolt/USB4 Controller.

This chip implements SB snooping monitor to optimize the power saving and performance. The monitoring is done only for Link Type Transactions (LT), and is enabled when operating mode is set to Mode 4 (TBT3) or Mode 5 (USB4), and is disabled in other mode settings.

7.4 Signal detectors

PTN38007 implements two types of signal detectors:

- LFPS detector: This is used in detect LFPS signaling on high speed data path. This is implemented only on lanes wherein USB and TBT3/USB4 data flows. While LFPS decoding is done in USB to determine certain USB sub-states, only detection of LFPS signaling is used to trigger exit from low power states of TBT3/USB4.

- Loss of (High-speed) Signal detector (LOS detector): This is meant for detecting both presence and absence of high-speed signal at the input pins over all protocols - USB, DP, TBT3 and USB4. The LOS detection is used to enter and exit from low power states.

Based on LOS detector output, PTN38007 turns off certain portions of the internal circuitry and optimizes current consumption under various modes: USB (U2/U3), DP (D3 mode), TBT3/USB4 (CLx) and especially under electrical idle conditions.

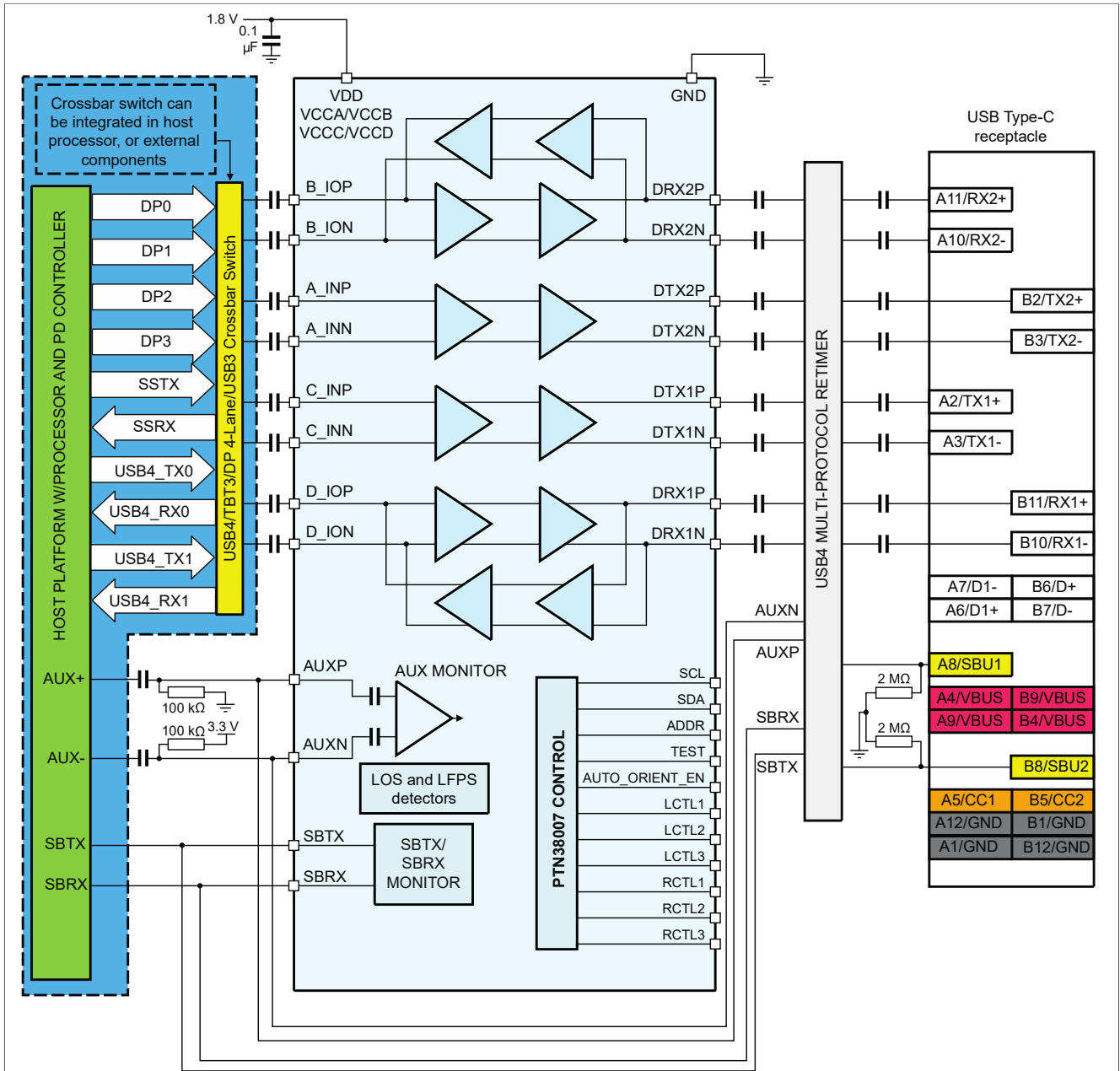
7.5 Linear redriver controls

PTN38007 allows for programming of linear redriver functions – equalizer and linearity on a per channel basis. Since the USB3.2, DisplayPort and TBT3/USB4 input channels support different maximum data rates, the corresponding input equalization on those paths need to be tuned accordingly.

Each linear redriver channel path has individual control of

- Flat gain can be controlled via I²C register for all the high speed data paths
- Peaking gain referenced to the maximum data rate (or Nyquist channel) in that channel
- Output Linear Swing is set up based on selected input source signal amplitude and pre-emphasis and considering channel attenuation

7.6 USB Type-C DFP application



aaa-031497

Figure 3. Connection illustration when PTN38007 in DFP application

Refer to [Figure 3](#) for using PTN38007 in USB Type-C DFP application. In this configuration, upstream side of PTN38007 is connected to host processor and downstream side is connected to a USB4 retimer/router in the system application.

Each pin on the downstream side of PTN38007 connecting to the USB4 retimer/router has specific input/output configuration, and must match the signal assignments on the upstream side accordingly. [Table 4](#) shows the downstream pin connection facing the Type-C receptacle.

Table 4. Downstream pin connection in DFP application

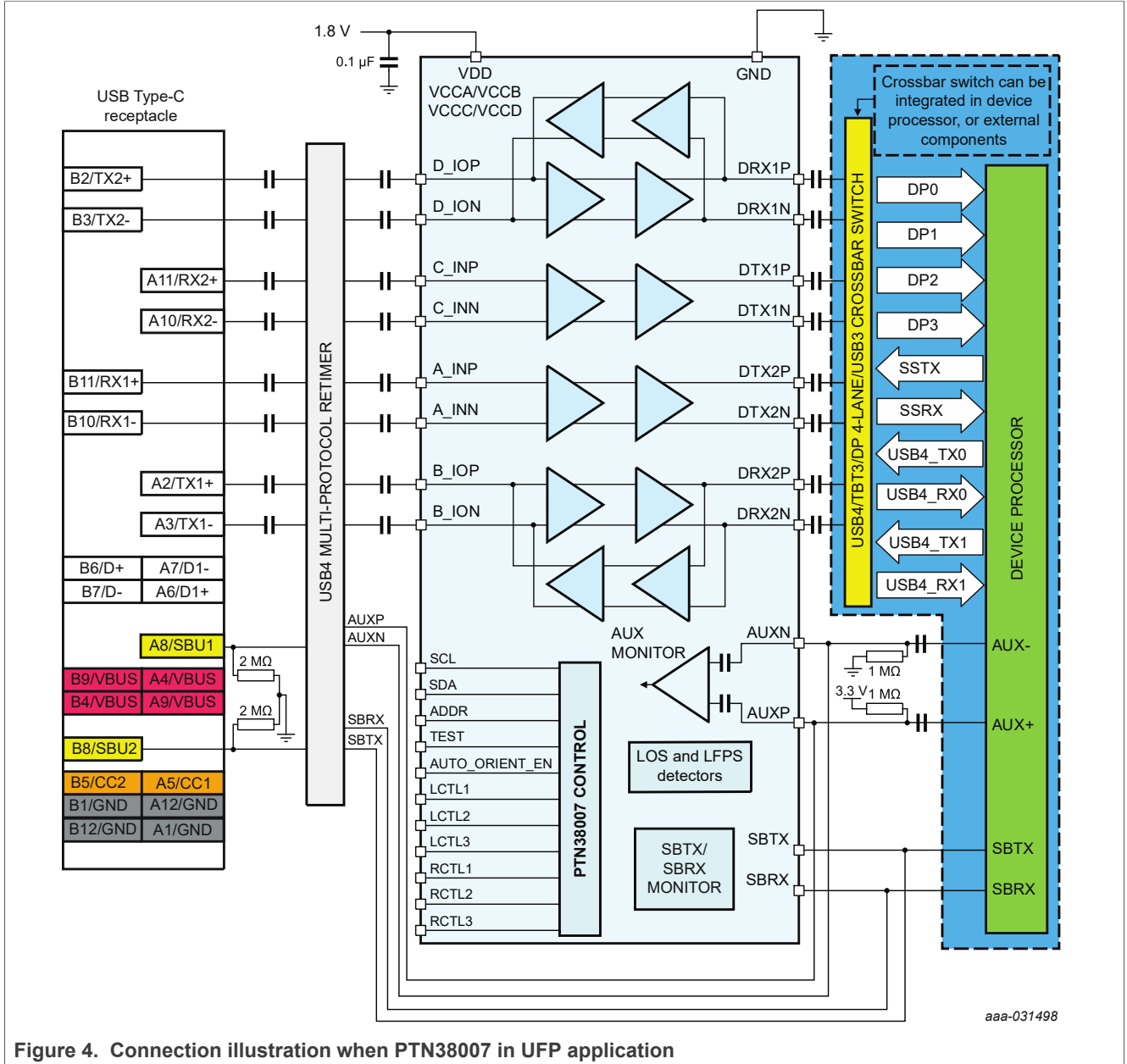
PTN38007 pins		USB Type-C receptacle pins	
Symbol	Pin name	Symbol	Pin name
33	DRX2P	A11	RX2+
32	DRX2N	A10	RX2-
27	DTX2N	B3	TX2-
28	DTX2P	B2	TX2+
24	DTX1P	A2	TX1+
25	DTX1N	A3	TX1-
20	DRX1N	B10	RX1-
19	DRX1P	B11	RX1+
18	AUXP		Input of SBU XBAR
17	AUXN		Input of SBU XBAR
35	SBRX		Input of SBU XBAR
34	SBTX		Input of SBU XBAR

The upstream pins of PTN38007 are connected to the host processor, with specific functions assigned to each differential signal. For each pin assignment configuration below, PTN38007 controls which transmitters or receivers to turn on or turn off, and operating in USB3.2, DisplayPort or Thunderbolt3/USB4 mode according to the mode setting.

Table 5. Upstream pin connection to host processor in DFP application

PTN38007 pins		Host processor signal names							
Symbol	Pin name	TBT3/USB4/USB3.2		USB3.2 Gen1/2 x1		USB3 + 2-Lane DP		4-Lane DP	
		Normal	Reversed	Normal	Reversed	Normal	Reversed	Normal	Reversed
14	D_ION	SSRX1-	SSRX2-	SSRX-		SSRX-	ML0-	ML3-	ML0-
15	D_IOP	SSRX1+	SSRX2+	SSRX+		SSRX+	ML0+	ML3+	ML0+
10	C_INP	SSTX1+	SSTX2+	SSTX+		SSTX+	ML1+	ML2-	ML1+
9	C_INN	SSTX1-	SSTX2-	SSTX-		SSTX-	ML1-	ML2+	ML1-
6	A_INP	SSTX2+	SSTX1+		SSTX+	ML1+	SSTX+	ML1+	ML2+
7	A_INN	SSTX2-	SSTX1-		SSTX-	ML1-	SSTX-	ML1-	ML2-
1	B_IOP	SSRX2+	SSRX1+		SSRX+	ML0+	SSRX+	ML0+	ML3+
2	B_ION	SSRX2-	SSRX1-		SSRX-	ML0-	SSRX-	ML0-	ML3-

7.7 USB Type-C UFP application



aaa-031498

Figure 4. Connection illustration when PTN38007 in UFP application

Refer to [Figure 4](#) for using PTN38007 in USB Type-C UFP application. In this configuration, downstream side of PTN38007 is connected to device processor while the upstream side is connected to a USB4/CIO retimer/router in the system application.

Each pin on the upstream side of PTN38007 has specific input/output configuration, and must match the signal assignments on the downstream side accordingly. [Table 6](#) shows the upstream pin connection facing the Type-C receptacle.

Table 6. Upstream pin connection in UFP application

PTN38007 pins		USB Type-C receptacle pins	
Symbol	Pin name	Symbol	Pin name
14	D_IOP	B2	TX2+
15	D_ION	B3	TX2-
9	C_INN	A10	RX2-
10	C_INP	A11	RX2+
6	A_INP	B11	RX1+
7	A_INN	B10	RX1-
1	B_IOP	A2	TX1+
2	B_ION	A3	TX1-
18	AUXP		Output of SBU XBAR
17	AUXN		Output of SBU XBAR
35	SBRX		Output of SBU XBAR
34	SBTX		Output of SBU XBAR

The downstream pins of PTN38007 are connected to the device processor, with specific functions assigned to each differential signal. For each pin assignment configuration below, PTN38007 controls which transmitters or receivers to turn on or turn off, and operating in USB3.2, DisplayPort, or Thunderbolt3/USB4 mode according to the mode setting.

Table 7. Downstream pin connection to device processor in UFP application

PTN38007 pins		Device processor signal names							
Symbol	Pin name	USB3.2 Gen 1/2 X2		USB3.2 Gen 1/2 X1		USB3 & DP 2-Lane		DP 4-Lane	
		Normal	Reversed	Normal	Reversed	Normal	Reversed	Normal	Reversed
20	DRX1N	SSTX2-	SSTX1-		SSTX-	ML0-	SSTX-	ML0-	ML3-
19	DRX1P	SSTX2+	SSTX1+		SSTX+	ML0+	SSTX+	ML0+	ML3+
24	DTX1P	SSRX2+	SSRX1+		SSRX+	ML1+	SSRX+	ML1+	ML2+
25	DTX1N	SSRX2-	SSRX1-		SSRX-	ML1-	SSRX-	ML1-	ML2-
28	DTX2P	SSRX1+	SSRX2+	SSRX+		SSRX+	ML1+	ML2+	ML1+
27	DTX2N	SSRX1-	SSRX2-	SSRX-		SSRX-	ML1-	ML2-	ML1-
33	DRX2P	SSTX1+	SSTX2+	SSTX+		SSTX+	ML0+	ML3+	ML0+
32	DRX2N	SSTX1-	SSTX2-	SSTX-		SSTX-	ML0-	ML3-	ML0-

7.8 Control and programmability

7.8.1 Power-on operational mode

After POR initialization, if AUTO_ORIENT_EN pin is LOW, the chip is put into deep power saving state. In the deep power saving state, PTN38007 line drivers and input

receive paths are terminated to ground with hi-ohmic resistors. If AUTO_ORIENT_EN pin is HIGH, then the device goes into USB mode of operation.

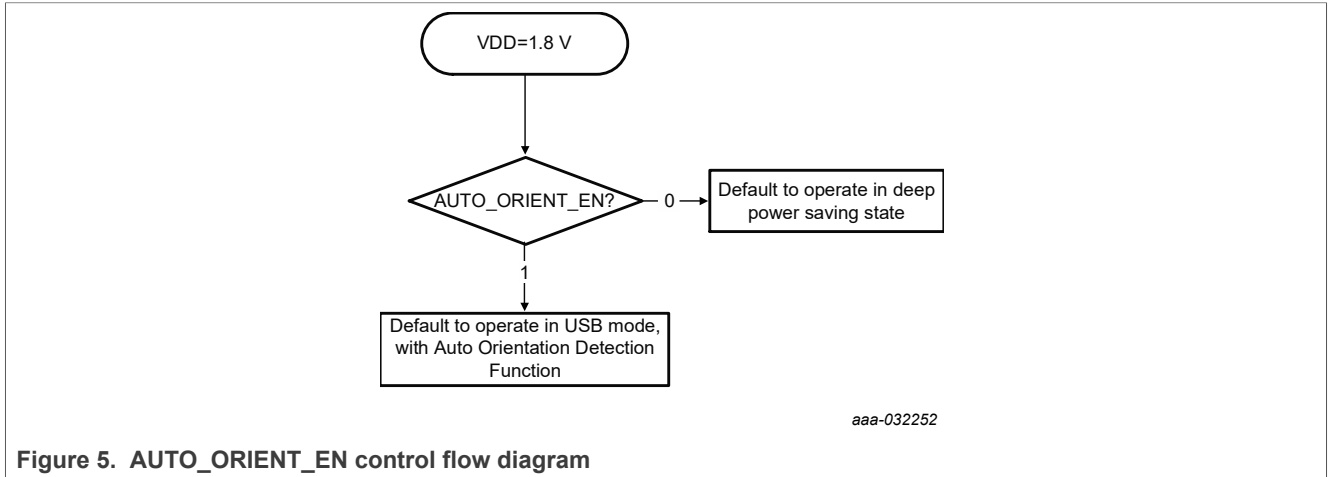


Figure 5. AUTO_ORIENT_EN control flow diagram

7.8.2 Auto Orientation Detection feature

PTN38007 is designed to detect the plug-in orientation autonomously based on SuperSpeed USB characteristics. This function may not work properly if SuperSpeed USB interface is not enabled in the host's or device's operation mode. Refer to [Figure 6](#) for overall operating settings, and details are explained below.

Auto orientation detection feature is enabled through either setting AUTO_ORIENT_EN pin to high at power on reset, or through setting I²C register 0x04 bit 7 to 1. When auto orientation detection is enabled through AUTO_ORIENT_EN pin at power on reset, PTN38007 transitions to USB mode by default, and the auto orientation detection process is executed without any firmware intervention. After the orientation is determined, "orientation" bit (register 0x04 bit 4) is updated, with "orientation done" bit (register 0x04 bit 6) set to 1. Since there is no way to indicate DFP or UFP application mode at power up reset when the detection process is executed, reporting of orientation is based on DFP application use case. At the same time, LCTLx and RCTLx pin values are used to configure USB upstream and downstream channel conditions.

If this feature is not enabled at power on reset, it can be enabled separately through I²C register 0x04 bit 7 when the device is programmed to operate in USB only mode (register 0x04 bit [2:0] = 001). In addition, DFP or UFP application mode can be programmed in register 0x04 bit 5. When auto orientation detection process is completed, valid orientation will be reported in register 0x04 bit 4, based on the DFP or UFP application programmed information, with "orientation done" bit (register 0x04 bit 6) set to 1. USB's upstream and downstream channel conditions are also applied based on LCTLx and RCTLx values in register 0x10 through 0x13.

The auto orientation detection process is executed only once using either one of two methods mentioned above. After the orientation is found (register 0x04 bit 6 is set to 1), setting register 0x04 bit 7 to 1 will not re-initiate the auto orientation detection procedure, as long as the mode bits (register 0x04 bit [2:0]) are not set to Deep Power Saving mode (000). I²C controller may further configure PTN38007 to other operating modes (DP 2-Lane+USB, DP 4-Lane) with a different orientation if necessary, and correct pin configuration will be adjusted accordingly. Setting the mode bits (register 0x04 bit [2:0])

to Deep Power Saving mode (000) before the orientation done bit is set to 1 will result in aborting the auto orientation detection process.

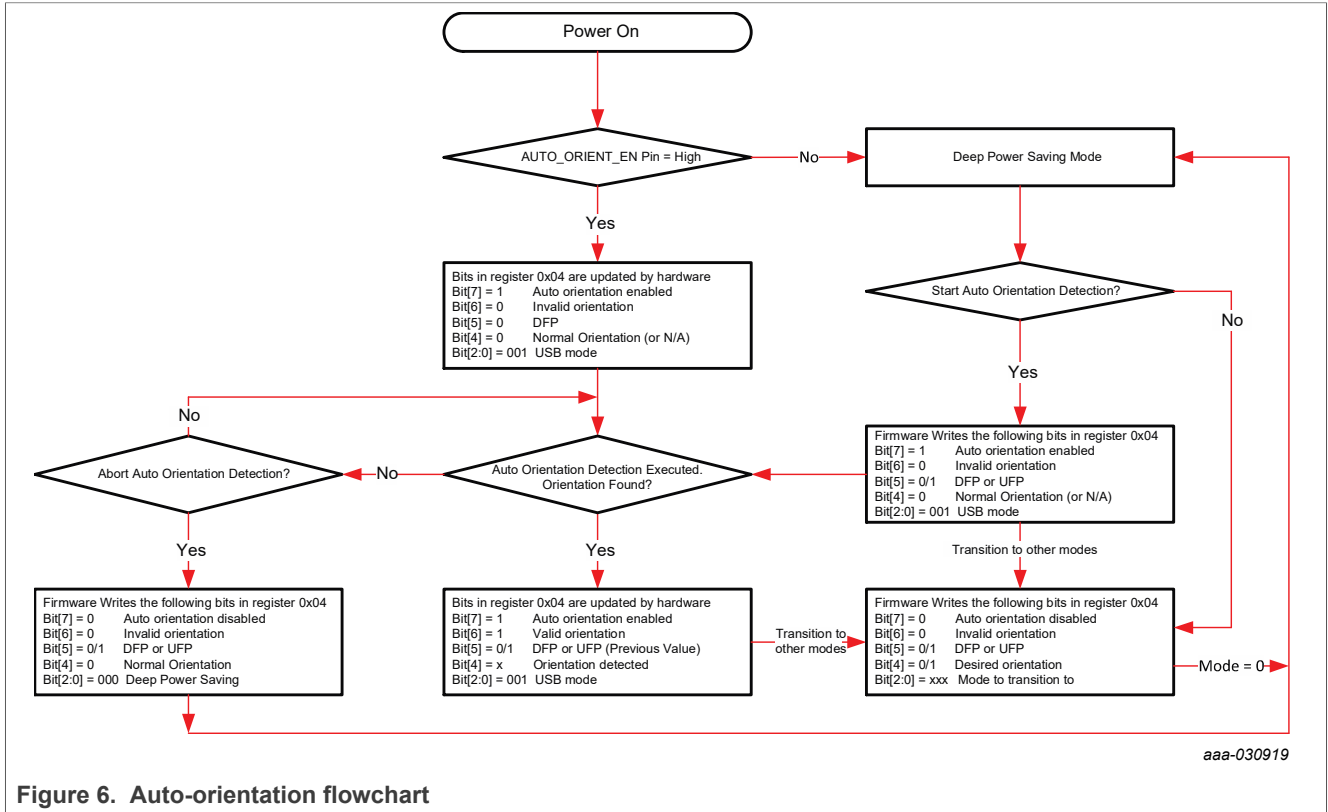


Figure 6. Auto-orientation flowchart

7.8.3 Mode transitions

PTN38007 supports USB3.2, DisplayPort and Thunderbolt3/USB4 as per DP and Thunderbolt/USB4 operational mode specifications for USB Type-C application. The mode transitions follow USB Safe state transition requirements of USB Type-C cable and connection specification, USB Power Delivery and Alternate Mode specifications. [Figure 7](#) illustrates the various functional modes and deep power saving state transitions.

In Deep Power Saving mode, all high-speed pins are put in USB Safe state. The AUX snooping and SB snooping functions are disabled. When a valid Type-C cable is connected, the host PD controller could place PTN38007 in USB3 mode (mode 1). Once DP Alternate mode is negotiated, PTN38007 adheres the USB Safe state requirements before making the mode transition.

The user can configure the device to transition between different modes at any time. When transitioning from Mode 1 to Mode 2, the USB3 connectivity is left undisturbed and DP 2-Lane + AUX functionality is included and when transitioning from Mode 2 to Mode 1, USB3 connectivity is left undisturbed while disabling the DP redriver functionality. While in Mode 1, USB’s non-config lane is held in USB Safe state. It is possible to transition from DP 4-Lane or Thunderbolt3/USB4 to USB only without entering Deep Power Saving, or vice versa. PTN38007 takes care of transition to USB Safe state internally.

The orientation is assumed to be fixed in [Figure 7](#), because a change in orientation requires a disconnect event which requires a return to USB Safe state.

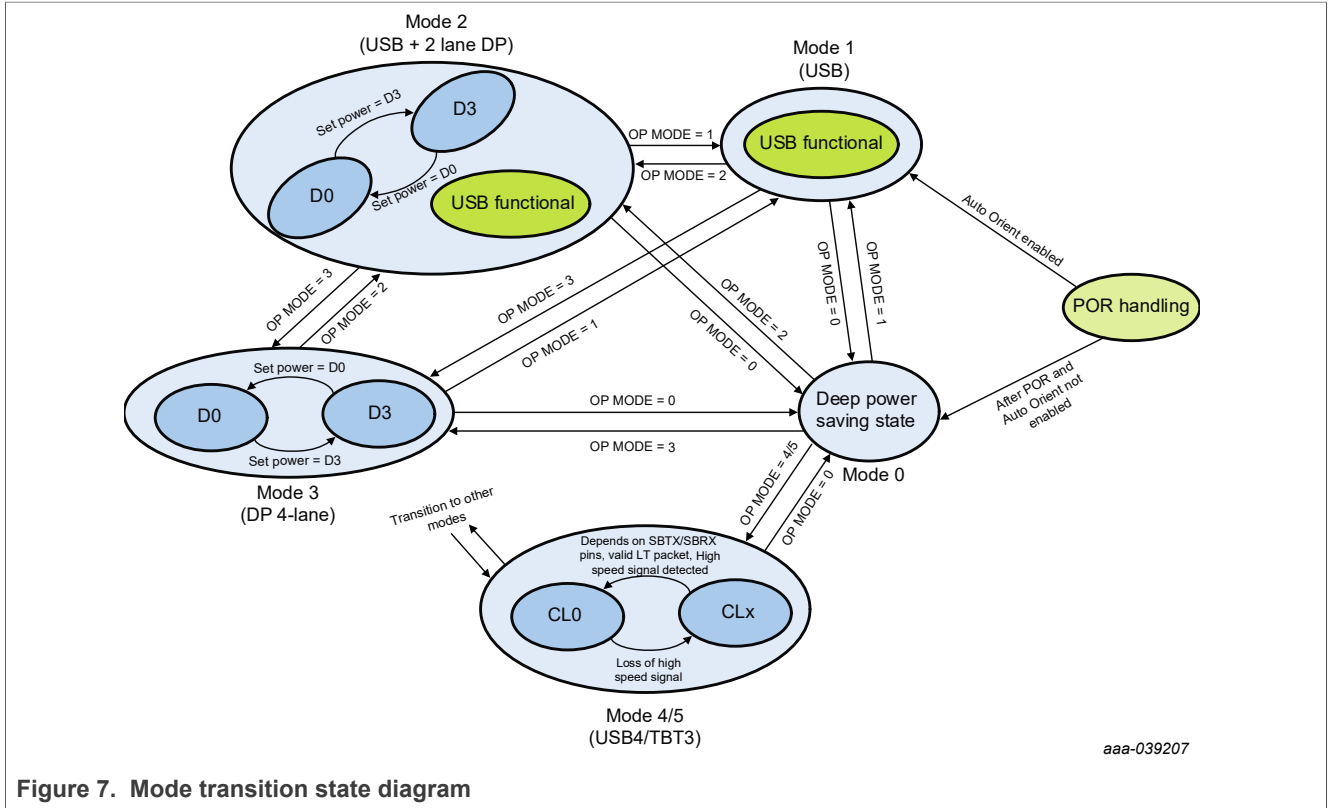


Figure 7. Mode transition state diagram

7.8.4 Channel settings for USB3.2, DisplayPort and Thunderbolt3/USB4 Modes

The ternary channel condition inputs LCTL1, LCTL2, LCTL3, RCTL1, RCTL2, RCTL3 are enabled and sampled at POR. The detected values from these ternary inputs are used to initialize the I²C registers. After entering via I²C interface, changes to the ternary channel conditions are ignored and subsequent writes of I²C values overwrite the sampled ternary inputs. Once the ternary inputs have been sampled during mode detection, there will be no mechanism to re-initialize the I²C registers to the sampled values except via an I²C write. When a software reset is issued, I²C register values get reset to the stored value of the ternary inputs sampled at power-up.

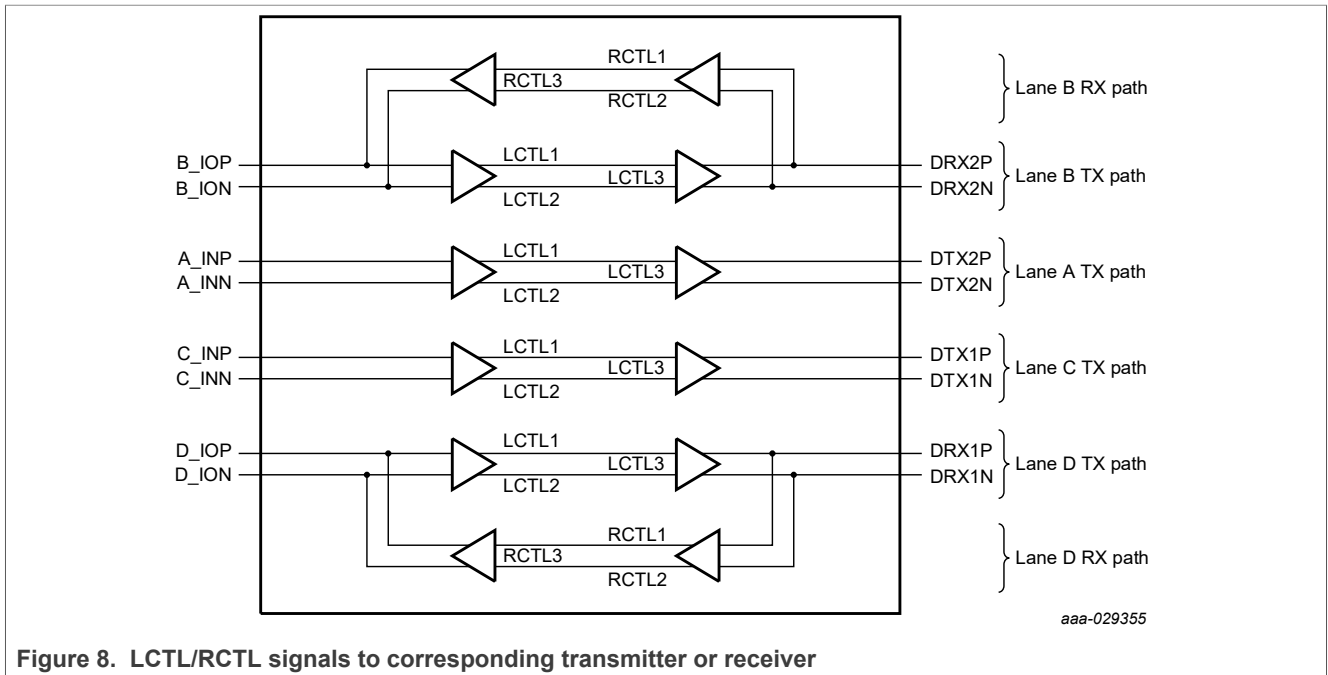


Figure 8. LCTL/RCTL signals to corresponding transmitter or receiver

Table 8 will be expanded to cover gain values at different link rates for each of the protocols - USB, DP, TBT/USB4.

Table 8. LCTL[2:1] and RCTL[2:1] Channel configurations: Flat gain setting of 0

Peaking Gain is the equalization gain at specific frequency relative to gain at 100 MHz and for flat gain setting of 0

I ² C register value <3:0>	LCTL2/ RCTL2	LCTL1/ RCTL1	Unit	Gain at 100 MHz (as reference)	0.81 GHz	1.35 GHz	2.5 GHz	2.7 GHz	4.05 GHz	5.0 GHz	6.75 GHz	8 GHz	10 GHz
0000	LOW	OPEN	dB	0.5	-0.2	-0.4	-0.1	-0.1	0.1	0.5	1.0	1.6	2.0
0001	OPEN	LOW	dB	0.5	-0.1	-0.3	0.0	0.1	0.4	0.8	1.5	2.3	2.8
0010			dB	0.5	0.0	-0.2	0.2	0.3	0.7	1.2	2.0	3.0	3.8
0011	HIGH	HIGH	dB	0.5	0.1	0.0	0.6	0.7	1.3	1.9	3.0	4.1	5.4
0100			dB	0.5	0.3	0.1	0.9	0.9	1.6	2.4	3.6	4.9	6.4
0101	HIGH	OPEN	dB	0.5	0.6	0.5	1.5	1.6	2.6	3.5	5.1	6.6	8.4
0110			dB	0.6	0.7	0.8	1.8	2.0	3.1	4.1	5.9	7.5	9.5
0111	HIGH	LOW	dB	0.6	1.1	1.3	2.6	2.8	4.2	5.4	7.5	9.3	11.6
1000			dB	0.6	1.5	1.8	3.4	3.6	5.3	6.6	9.0	10.9	13.4
1001	OPEN	HIGH	dB	0.6	1.7	2.0	3.7	4.0	5.7	7.2	9.7	11.7	14.2
1010			dB	0.6	2.0	2.4	4.4	4.7	6.7	8.2	10.9	13.0	15.6
1011	LOW	HIGH	dB	0.6	2.4	2.8	5.0	5.3	7.4	9.1	11.9	14.2	16.8
1100			dB	0.6	2.6	3.2	5.4	5.7	8.0	9.7	12.7	15.0	17.5
1101	OPEN	OPEN	dB	0.7	2.9	3.7	5.9	6.2	8.6	10.4	13.6	15.9	18.4
1110			dB	0.7	2.9	3.7	5.9	6.2	8.6	10.5	13.6	16.0	18.4
1111	LOW	LOW	dB	0.7	2.9	3.7	5.9	6.2	8.6	10.5	13.6	16.0	18.4

Table 9. LCTL[2:1] and RCTL[2:1] Channel configurations: Flat gain setting of 1

Peaking Gain is the equalization gain at specific frequency relative to gain at 100 MHz and for flat gain setting of 1

I ² C register value <3:0>	LCTL2/RCTL2	LCTL1/RCTL1	Unit	Gain at 100 MHz (as reference)	0.81 GHz	1.35 GHz	2.5 GHz	2.7 GHz	4.05 GHz	5.0 GHz	6.75 GHz	8 GHz	10 GHz
0000	LOW	OPEN	dB	-1.1	-0.1	-0.2	0.5	0.6	1.3	1.9	2.6	3.4	3.8
0001	OPEN	LOW	dB	-1.1	0.0	-0.1	0.7	0.8	1.6	2.2	3.1	4.0	4.6
0010			dB	-1.1	0.1	0.0	1.0	1.1	1.9	2.7	3.7	4.7	5.6
0011	HIGH	HIGH	dB	-1.1	0.3	0.2	1.4	1.6	2.6	3.4	4.7	5.9	7.2
0100			dB	-1.1	0.5	0.4	1.7	1.9	3.0	4.0	5.4	6.7	8.1
0101	HIGH	OPEN	dB	-1.1	0.9	1.0	2.5	2.7	4.0	5.1	6.9	8.4	10.2
0110			dB	-1.0	1.1	1.3	2.9	3.1	4.6	5.8	7.7	9.3	11.3
0111	HIGH	LOW	dB	-1.0	1.6	2.0	3.8	4.0	5.8	7.1	9.3	11.1	13.3
1000			dB	-1.0	2.0	2.5	4.6	4.9	6.9	8.3	10.7	12.7	15.1
1001	OPEN	HIGH	dB	-1.0	2.3	2.8	5.0	5.3	7.4	8.9	11.4	13.4	15.9
1010			dB	-1.0	2.7	3.3	5.8	6.1	8.3	9.9	12.6	14.7	17.3
1011	LOW	HIGH	dB	-1.0	3.1	3.8	6.4	6.7	9.1	10.8	13.6	15.8	18.4
1100			dB	-0.9	3.3	4.2	6.8	7.1	9.6	11.4	14.3	16.6	19.1
1101	OPEN	OPEN	dB	-0.9	3.7	4.7	7.3	7.7	10.2	12.1	15.2	17.5	20
1110			dB	-0.9	3.7	4.7	7.3	7.7	10.2	12.1	15.2	17.6	20
1111	LOW	LOW	dB	-0.9	3.7	4.7	7.3	7.7	10.2	12.1	15.2	17.6	20

Table 10. LCTL3/RCTL3 channel configuration

I ² C Register Value	LCTL3	RCTL3	Output Swing Linearity
0			500 mVppd
1	OPEN	OPEN	650 mVppd
2	LOW	LOW	800 mVppd
3	HIGH	HIGH	950 mVppd

7.8.5 I²C configurability

PTN38007 has an I²C register interface that enables system integrator to program register settings suitable as per application needs. After power on reset, the device reads the ADDR pin for determining the I²C Slave Address. PTN38007 provides up to four I²C Slave address combinations based on quaternary pin (ADDR) setting, and they are summarized in [Table 11](#).

Table 11. I²C slave address options

ADDR pin state	7-bit I ² C slave address	8-bit I ² C address							
Connected to 1.8 V supply directly	011-0011 (0x33)	0	1	1	0	0	1	1	R/W
Connected to 1.8 V with 56 kΩ (±10 %) pull-up resistor	011-0010 (0x32)	0	1	1	0	0	1	0	R/W
Connect to 1.8 V with 200 kΩ (±10 %) pull-up resistor	011-0001 (0x31)	0	1	1	0	0	0	1	R/W
Connected to GND directly	011-0000 (0x30)	0	1	1	0	0	0	0	R/W

7.8.6 I²C registers

The system integrator must program the registers of the device for proper operation. Further, it is expected that the system integrator performs I²C configuration after power-up and before data transport is initiated over the link. If such an operation is attempted during normal operation, the device may not behave as specified.

Table 12. I²C registers and description

Register offset	Register name	Bits	POR default value	Description
0x00 Read Only	Chip ID	7:0	b'00001001	Chip ID Number
0x01 Read Only	Chip Revision	7:4	b'1010	Chip base layer version
		3:0	b'0001	Chip metal layer version
0x02	Reserved	7:0	b'0000 0000	
0x03 Read/Write	Flat gain control			Flat gain control setting for each high speed data path. The gain is specified at 100 MHz
		7:6	b'00	Write '0' only. Read is don't care
		5	b'0	Lane B Rx path (Figure 8) flat gain control 0 = flat gain of +0.7 dB, 1 = flat gain of -0.7 dB
		4	b'0	Lane D Rx path flat gain control 0 = flat gain of +0.7 dB, 1 = flat gain of -0.7 dB
		3	b'0	Lane B Tx path (Figure 8) flat gain control 0 = flat gain of +0.7 dB, 1 = flat gain of -0.7 dB
		2	b'0	Lane A Tx path flat gain control 0 = flat gain of +0.7 dB, 1 = flat gain of -0.7 dB
		1	b'0	Lane C Tx path flat gain control 0 = flat gain of +0.7 dB, 1 = flat gain of -0.7 dB
		0	b'0	Lane D Tx path downstream flat gain control 0 = flat gain of +0.7 dB, 1 = flat gain of -0.7 dB
0x04 Read/Write	Mode control	7	AUTO_ORIENT_EN pin value	Auto orientation enable bit is used to select Auto orientation option <ul style="list-style-type: none"> • 1 = Enable • 0 = Disable or abort an ongoing auto orientation detection process
		6	b'0	Orientation done bit <ul style="list-style-type: none"> • When 0, 'Plug orientation control' bit (bit 4) is not valid • When 1, then it conveys 'Plug orientation control' bit (bit 4) is valid. This bit is cleared when Auto orientation enable (bit 7) is cleared by host, and it is not valid when bit 7 is '0'. Writes to this bit do not have any effect.
		5	b'0	DFP or UFP configuration <ul style="list-style-type: none"> • 0: DFP configuration • 1: UFP configuration

Table 12. I²C registers and description...continued

Register offset	Register name	Bits	POR default value	Description
		4	b'0	<p>Plug orientation control. This orientation condition applies to high-speed TX/RX configuration</p> <ul style="list-style-type: none"> • 0: normal plug orientation of Type-C connection • 1: reverse plug orientation of Type-C connection <p>This bit is to be written/read by the host or it can get updated automatically whenever 'Auto orientation enable' option is selected by setting bit 7 to '1'.</p> <p>If bit 7 is '1', then the bit value is valid only when 'Orientation done' bit (bit 6) is '1'.</p> <p>The host shall not write this bit while bit[7] = 1. Overriding the orientation selection is possible only when bit 7 is cleared.</p>
		3	b'0	<p>AUX snooping polarity control bit</p> <ul style="list-style-type: none"> • When 0, AUXP/AUXN signal polarities follow pin naming: <ul style="list-style-type: none"> – Pin 18 = AUXP – Pin 17 = AUXN • When 1, AUXP/AUXN signal polarities are reverse of the pin naming: <ul style="list-style-type: none"> – Pin 17 = AUXP – Pin 18 = AUXN
		2:0	b'000	<p>Operational mode of the device. Refer to Section 7.8.3 for mode transition requirement</p> <ul style="list-style-type: none"> • 0: Deep power saving state • 1: USB3.2 • 2: USB3.2 and 2-lane DP • 3: 4-lane DP • 4: Thunderbolt3 • 5: USB4 • 6-7 Reserved
0x05 Read/Write	Device control	7:6	b'00	<ul style="list-style-type: none"> • Write '0' only. Read is don't care
		5	b'0	<p>LT bypass enable control</p> <ul style="list-style-type: none"> • 0: LT control is decoded and applied during transition from CLD to CL0 state • 1: LT control is bypassed and not applied during transition from CLD to CL0 state

Table 12. I²C registers and description...continued

Register offset	Register name	Bits	POR default value	Description
		4:2	b'101	Disconnect Programmable values for TBT and USB4 Modes <ul style="list-style-type: none"> • 111 - 5 ms • 110 - 2 ms • 101 - 1 ms • 100 - 500 μs • 011 - 250 μs • 010 - 100 μs • 001 - 50 μs • 000 - 25 μs This register shall be set before entering TBT or USB4 mode.
		1	b'0	AUX/SB snooping pin muxing When 0, AUX and SB snooping are done through separate interface pairs. <ul style="list-style-type: none"> • AUX snooping using AUXP/AUXN pins • SB snooping using SBTX/SBRX pins When 1, AUX and SB snooping are done through the same AUXP/AUXN pins. <ul style="list-style-type: none"> • AUXP/AUXN snooping using AUXP/AUXN pins • SB snooping using AUXP/AUXN pins PTN38007 decodes the protocols based on the respective mode that is enabled.
		0	b'0	Device Reset bit. This is a self-clearing bit, and reading this register will always return 0. <ul style="list-style-type: none"> • Writing a '1' to this register will soft reset the device including I²C register contents and internal digital logic states, while the chip continuing to operate under I²C mode. • Writing a '0' does not have any effect.
0x06 Read/Write	DP link control and status	7:5	b'000	Write '0' only. Read is don't care
		4	b'0	DisplayPort Power saving mode selection on all DP lanes. <ul style="list-style-type: none"> • 0: Normal/Active mode • 1: D3 Power saving mode This field may be modified thru I ² C write or AUX monitor function. When corresponding DPCD register changes are detected via AUX monitor, this field will be updated.
		3:2	b'00	DisplayPort operating lane count <ul style="list-style-type: none"> • 0: 0 DP Lane • 1: 1 DP Lane • 2: 2 DP lanes • 3: 4 DP lanes This field may be modified thru I ² C write or AUX monitor function. When corresponding DPCD register changes are detected via AUX monitor, this field will be updated.

Table 12. I²C registers and description...continued

Register offset	Register name	Bits	POR default value	Description
		1:0	b'00	DP Link rate <ul style="list-style-type: none"> • 0: 1.62 Gbps (RBR) • 1: 2.7 Gbps (HBR) • 2: 5.4 Gbps (HBR2) • 3: 8.1 Gbps (HBR3) The field may be modified through I2C write or AUX monitor function. When corresponding DPCD register changes are detected via AUX monitor, this field will be updated.
0x07 Read/Write	DP Lane 0 Control_1 Register	7:4	b'00	Write '0' only. Read is don't care
		3:0	LCTL1, LCTL2	DP Lane 0 link Equalization gain. Refer to Table 8 and Table 9 in Section 7.8.4 for Peaking gain setting across various Nyquist frequencies of this interface.
0x08 Read/Write	DP Lane 0 Control_2 Register	7:2	b'0000 00	Write '0' only. Read is don't care
		1:0	LCTL3	DP Lane 0 output signal swing linearity <ul style="list-style-type: none"> • 0: 500 mVppd • 1: 650 mVppd • 2: 800 mVppd • 3: 950 mVppd
0x09 Read/Write	DP Lane 1 Control_1 Register	7:4	b'0000	Write '0' only. Read is don't care
		3:0	LCTL1, LCTL2	DP Lane 1 link Equalization gain. Refer to Table 8 and Table 9 in Section 7.8.4 for Peaking gain setting across various Nyquist frequencies of this interface.
0x0A Read/Write	DP Lane 1 Control_2 Register	7:2	b'0000 00	Write '0' only. Read is don't care
		1:0	LCTL3	DP Lane 1 output signal swing linearity <ul style="list-style-type: none"> • 0: 500 mVppd • 1: 650 mVppd • 2: 800 mVppd • 3: 950 mVppd
0x0B Read/Write	DP Lane 2 Control_1 Register	7:4	b'0000	Write '0' only. Read is don't care
		3:0	LCTL1, LCTL2	DP Lane 2 link Equalization gain. Refer to Table 8 and Table 9 in Section 7.8.4 for Peaking gain setting across various Nyquist frequencies of this interface.
0x0C Read/Write	DP Lane 2 Control_2 Register	7:2	b'0000 00	Write '0' only. Read is don't care
		1:0	LCTL3	DP Lane 2 output signal swing linearity <ul style="list-style-type: none"> • 0: 500 mVppd • 1: 650 mVppd • 2: 800 mVppd • 3: 950 mVppd

Table 12. I²C registers and description...continued

Register offset	Register name	Bits	POR default value	Description
0x0D Read/Write	DP Lane 3 Control_1 Register	7:4	b'0000	Write '0' only. Read is don't care
		3:0	LCTL1, LCTL2	DP Lane 3 link Equalization gain. Refer to Table 8 and Table 9 in Section 7.8.4 for Peaking gain setting across various Nyquist frequencies of this interface.
0x0E Read/Write	DP Lane 3 Control_2 Register	7:2	b'0000 00	Write '0' only. Read is don't care
		1:0	LCTL3	DP Lane 3 output signal swing linearity <ul style="list-style-type: none"> 0: 500 mVppd 1: 650 mVppd 2: 800 mVppd 3: 950 mVppd
0x0F Read/Write	LOS detector threshold	7	0	LFPS detection disable in U2/U3 state in USB3 operation. This bit can be set/changed only during Deep Power saving mode. 0: LFPS detector is used in U2/U3 state to transition back to U0 state 1: LFPS detector is not used to transition from U2/U3 state to U0 state
		6	0	LoS detector disable in USB3 operation. This bit can be set/changed only during Deep Power saving mode. 0: LOS detector is enabled 1: LOS detector is disabled
		5:4	b'00	Chip upstream (B_IO, A_IN, C_IN, and D_IO) side LOS detector threshold setting <ul style="list-style-type: none"> 0: 45 mV (default/POR) 1: 60 mV 2: 70 mV 3: 80 mV Other values are reserved The setting is applicable for operational modes (USB3.2, DP, TBT and USB4). It is used as a signal threshold reference for low power state management
		3:2	b'00	USB3 power saving mode (U2/U3) and compliance mode select. This function is only valid when bit 6 is set to 1. When entering USB mode, PTN38007 is in U0 state. System can write this bit to enter Power saving mode (U2/U3) or compliance mode. These bits are updated to 00 after PTN38007 exits power saving mode (U2/U3) to active mode (U0), or compliance mode to active mode (U0). 00: Active state (U0) 01: Power saving state (U2/U3) 10: Compliance mode 11: Transition from power saving state (U2/U3) to active state (U0)

Table 12. I²C registers and description...continued

Register offset	Register name	Bits	POR default value	Description
		1:0	b'00	Chip downstream (DRX1 and DRX2) side LOS detector threshold setting. <ul style="list-style-type: none"> 0: 45 mV (default/POR) 1: 60 mV 2: 70 mV 3: 80 mV Other values are reserved The setting is applicable for all operational modes (USB3.2, TBT and USB4). It is used as a signal threshold reference for low power state management
0x10	USB_Downstream_RX_Control	7:4	b'0000	Write '0' only. Read is don't care
		3:0	RCTL1, RCTL2	USB3.2 Mode downstream (DRX2 and DRX1) side link Equalization gain. Refer to Table 8 and Table 9 in Section 7.8.4 for Peaking gain setting across various Nyquist frequencies of this interface.
0x11 Read/Write	USB_Upstream_TX_Control	7:2	b'0000 00	Write '0' only. Read is don't care
		1:0	RCTL3	USB3.2 Mode upstream (B_IO and D_IO) side link output signal swing linearity <ul style="list-style-type: none"> 0: 500 mVppd 1: 650 mVppd 2: 800 mVppd 3: 950 mVppd
0x12 Read/Write	USB_Upstream_RX_Control	7:4	b'0000	Write '0' only. Read is don't care
		3:0	LCTL1, LCTL2	USB3.2 Mode upstream (A_IN and C_IO) side link Equalization gain. Refer to Table 8 and Table 9 in Section 7.8.4 for Peaking gain setting across various Nyquist frequencies of this interface.
0x13 Read/Write	USB_Downstream_TX_Control	7:2	b'0000 00	Write '0' only. Read is don't care
		1:0	LCTL3	USB3.2 Mode downstream (DTX2 and DTX1) side link output signal swing linearity <ul style="list-style-type: none"> 0: 500 mVppd 1: 650 mVppd 2: 800 mVppd 3: 950 mVppd
0x14 Read only	TBT3/USB4 link status	7	b'0	Subordinate lane status 0 = low power state 1 = active state Based on LT packet information, this bit is set on LT Resume in USB4 mode, or LT_GEN_2 or LT_GEN_3 in TBT3 mode; and reset on LROFF/ DISCONNECT/LTFALL

Table 12. I²C registers and description...continued

Register offset	Register name	Bits	POR default value	Description
		6	b'0	Primary lane status 0 = low power state 1 = active state Based on LT packet information, this bit is set on LT Resume in USB4 mode, or LT_GEN_2 or LT_GEN_3 in TBT3 mode; and reset on LROFF/ DISCONNECT/LTFALL
		5	b'0	Write '0' only. Read is don't care
		4	b'0	Channel B status • 0: Channel is in low power state • 1: Channel is in active state This status bit is updated based on LOS/LT packets
		3	b'0	Channel A status • 0: Channel is in low power state • 1: Channel is in active state This status bit is updated based on LOS/LT packets
		2	b'0	Channel C status • 0: Channel is in low power state • 1: Channel is in active state This status bit is updated based on LOS/LT packets
		1	b'0	Channel D status • 0: Channel is in low power state • 1: Channel is in active state This status bit is updated based on LOS/LT packets
		0	b'0	Thunderbolt lane speed • 0: 10.3125 Gbps • 1: 20.625 Gbps This field is read-only, and reflects the lane status.
0x15 Read/Write	TBT3/USB4_ Downstream_RX_Control	7:6	b'00	Write '0' only. Read is don't care
		5:4	b'01	LOS detection timeout for transition from Active to low power state for downstream side channels (DRX2 and DRX1) • 00 = 10 ms (typ) • 01 = 300 ms (typ) • 10 = 750 ms (typ) • 11 = 1000 ms (typ)
		3:0	RCTL1, RCTL2	TBT3/USB4 downstream (DRX2 and DRX1) link Equalization gain. Refer to Table 8 and Table 9 in Section 7.8.4 for Peaking gain setting across various Nyquist frequencies of this interface.

Table 12. I²C registers and description...continued

Register offset	Register name	Bits	POR default value	Description
0x16 Read/Write	TBT3/USB4_Upstream_ TX_Control	7:2	b'000000	Write '0' only. Read is don't care
		1:0	RCTL3	TBT3/USB4 Upstream (B_IO and D_IO) output signal swing linearity <ul style="list-style-type: none"> • 0: 500 mVppd • 1: 650 mVppd • 2: 800 mVppd • 3: 950 mVppd
0x17 Read/Write	TBT3/USB4_Upstream_ RX_Control	7:6	b'00	Select low-power state entry through LoS detector result 00: Enable entry only into CL1/CL2 01: Enable entry into CL0s/CL1/CL2 10: Reserved 11: Disable entry into CL0s/CL1/CL2 (Stay in CL0 only)
		5:4	b'01	LOS detection timeout for transition from Active to low power state for upstream side channels (A_IN and C_IN) <ul style="list-style-type: none"> • 00 = 10 ms (typ) • 01 = 300 ms (typ) • 10 = 750 ms (typ) • 11 = 1000 ms (typ)
		3:0	LCTL1, LCTL2	TBT3/USB4 Upstream (A_IN and C_IN) link Equalization gain. Refer to Table 8 and Table 9 in Section 7.8.4 for Peaking gain setting across various Nyquist frequencies of this interface.
0x18 Read/Write	TBT3/USB4_ Downstream_TX_Control	7:2	b'000000	Write '0' only. Read is don't care
		1:0	LCTL3	TBT3/USB4 Downstream (DTX2 and DTX1) output signal swing linearity <ul style="list-style-type: none"> • 0: 500 mVppd • 1: 650 mVppd • 2: 800 mVppd • 3: 950 mVppd
0x19-0xFF	Reserved			Reserved for NXP Internal use only; Do not write to these registers

7.8.7 I²C read/write operations

PTN38007 supports programming of the registers through the I²C interface. Reading/writing the registers must be done according to protocols defined in the UM10204, "I²C - bus specification and user manual"; NXP Semiconductors, Revision 06 April 4, 2014 [4]

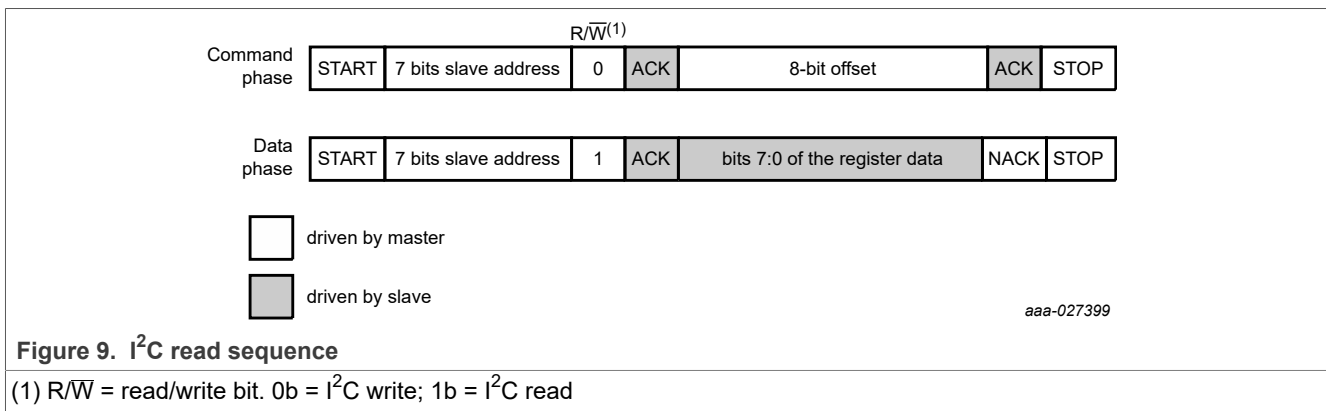
PTN38007 supports programming of the registers through the I²C interface. Reading/writing the registers must be done according to the following sequences.

The read sequence contains two phases:

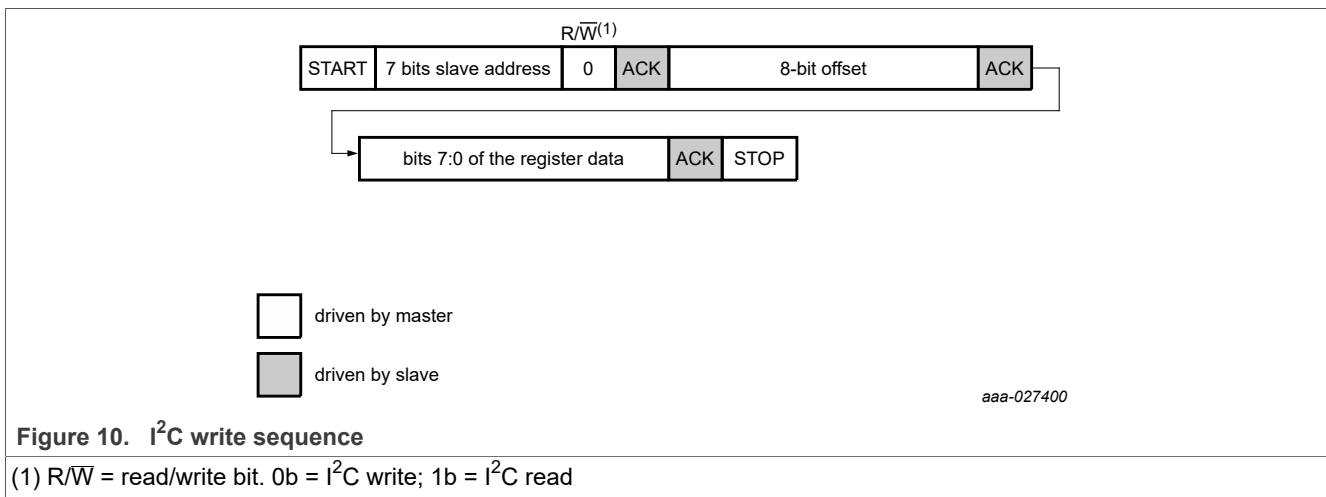
- Command phase
- Data phase

7.8.7.1 Single byte register reads/writes

The command phase is an I²C write to PTN38007 that contains a single data byte. The SB bit indicates if the command that is being executed will read or write data from/to the device. The other 7 bits are the device slave address. The single data byte followed is the register offset that is used to indicate which register address is being accessed (read or written). The data phase is a second I²C transaction that starts with 7-bit slave address, with SB bit set to 1 indicating a read operation, followed by an 8-bit data read back from the device register address.



The write sequence starts with 7-bit slave address, with SB bit set to 0 indicating a write access. The next byte is the register offset that is used to indicate which device register address is being written to. The last byte is the 8-bit register data that will be written to the device register address.



7.8.7.2 Multi-byte register reads/writes

Reading one or more registers

The slave recognizes the following procedure as a request to read one or more registers:

1. Master asserts START condition or repeated-START condition
2. Master addresses PTN38007's slave address with R/W bit set as "Write"
3. Slave acknowledges the request by asserting ACK
4. Master writes the desired starting register address

5. Slave acknowledges the register address with ACK, even if the register address is not part of the defined register map
6. Master issues a repeated-START condition
7. Master addresses PTN38007's slave address with R/W bit set as "Read"
8. In the following clock pulses, the slave clocks out the value of the requested register
9. If master wishes to read the next consecutive register, it issues an ACK and then provides another set of clock pulses, whereby the slave supplies the value of the next register. As long as the master continues to issue ACK and supplies additional clock pulses, the slave continues to supply the value of consecutive registers. If the master attempts to read consecutive registers that do not exist in the defined register space the slave returns undefined data value of 0xFF
10. When the master does not wish to read additional consecutive registers, it supplies a NACK in response to the final register value it wishes to read and then issues a STOP or repeated-START condition.

Figure 11 provides an illustrative example where the master chooses to read from two consecutive registers starting with register "R".

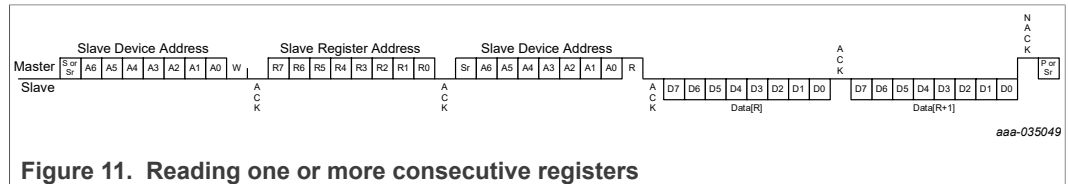


Figure 11. Reading one or more consecutive registers

Writing one or more registers

The slave recognizes the following procedure as a request to write to one or more registers.

1. Master asserts START condition or repeated-START condition
2. Master addresses PTN38007's slave address with R/W bit set as "Write"
3. Slave acknowledges the request by asserting ACK
4. Master writes the desired starting register address
5. Slave acknowledges the register address with ACK, even if register address is not part of the defined register map
6. Master writes the data for that register address. Slave updates the value of that register once all 8 bits of data have been written
7. Slave acknowledges the data with ACK
8. If the master wishes to write to the next consecutive register address, it supplies another data byte, which the slave ACKs. The master continues writing data bytes for consecutive registers. If the master writes to more consecutive registers than exist in the register map, the slave discards the extra data bytes, but ACKs each byte. When the master finishes writing the desired register(s), it issues either a STOP condition or a repeated-START condition

Figure 12 provides an illustrative example where the master chooses to write to three consecutive registers starting with register "R".

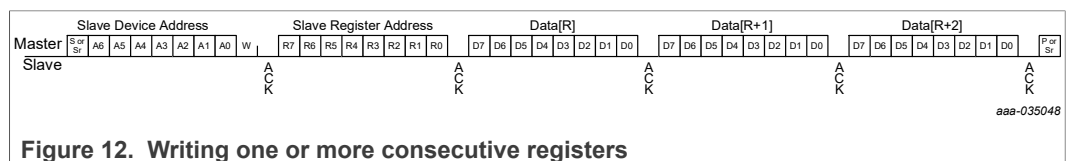


Figure 12. Writing one or more consecutive registers

8 Limiting values

Stresses beyond those listed under absolute maximum ratings may cause permanent damage to the device. These are stress ratings only and functional operation of the device at these or any conditions beyond those indicated under recommended operating conditions is not implied. Exposure to absolute-maximum-rated conditions for extended periods may affect device reliability.

In accordance with the Absolute Maximum Rating System (IEC 60134).

Table 13. Limiting values

Symbol	Parameter	Conditions	Min	Typ	Max	Unit	Unique Identifier
$V_{DD}^{[1]}$	Supply voltage	1.8 V digital supply voltage	-0.5		+2.2	V	LTC-VOL-PRIO1-001
$V_{CCXX}^{[1]}$	Supply voltage for high-speed lanes	VCCA, VCCB, VCCC, VCCD	-0.5		+2.2	V	LTC-VOL-PRIO1-002
$V_I^{[1]}$	Input voltage	AUTO_ORIENT_EN, SCL, SDA, LCTL1, LCTL2, LCTL3, RCTL1, RCTL2, RCTL3, TEST, ADDR AUXP/AUXN pins	-0.5		+3.6	V	LTC-VOL-PRIO1-005
		High-speed pins	-0.5		+2.5	V	LTC-VOL-PRIO1-006
		SBTX, SBRX	-0.3		+3.72	V	LTC-VOL-PRIO1-015
T_{stg}	Storage temperature		-65		+150	°C	LTC-TMP-PRIO1-007
V_{esd}	Electrostatic discharge	HBM ^[2] for High-speed and AUXP/AUXN and SBTX/SBRX pins	1500			V	LTC-VOL-PRIO1-008
		HBM for other control pins	1500			V	LTC-VOL-PRIO1-009
		CDM ^[3] for High-speed and AUXP/AUXN and SBTX/SBRX pins	1000			V	LTC-VOL-PRIO1-010
		CDM for other control pins	1000			V	LTC-VOL-PRIO1-011
$R_{th(j-a)}$	Thermal resistance from junction to ambient environment	JEDEC still air test environment		40.6		°C/W	LTC-RES-PRIO2-012
$R_{th(j-c)}$	Thermal resistance from junction to case			16.8		°C/W	LTC-RES-PRIO2-013
$R_{th(j-b)}$	Thermal resistance from junction to board	FR4 PCB material and with center pad soldered with recommended solder pad structure		19.7		°C/W	LTC-RES-PRIO2-014

[1] All voltage values, except differential voltages, are with respect to network ground terminal.

- [2] Human Body Model: ANSI/EOS/ESD-S5.1-1994, standard for ESD sensitivity testing, Human Body Model – Component level; Electrostatic Discharge Association, Rome, NY, USA.
- [3] Charged Device Model: ANSI/EOS/ESD-S5.3-1-1999, standard for ESD sensitivity testing, Charged Device Model – Component level; Electrostatic Discharge Association, Rome, NY, USA

9 Recommended operating conditions

Over operating free-air temperature range (unless otherwise noted). Typical values are specified for 1.8 V and 25 °C operating temperature.

Table 14. Operating conditions

Symbol	Parameter	Conditions	Min	Typ	Max	Unit	Unique Identifier
V _{DD}	Supply voltage	1.8 V Digital Supply voltage	1.7	1.8	1.9	V	ROC-VOL-PRIO1-001
V _{CC}	Supply voltage for high-speed lanes	VCCA, VCCB, VCCC, VCCD	1.7	1.8	1.9	V	ROC-VOL-PRIO1-002
V _I	Input voltage	AUTO_ORIENT_EN, SCL, SDA, LCTL1, LCTL2, LCTL3, RCTL1, RCTL2, RCTL3, TEST, AUXP/N pins	-0.3		+3.6	V	ROC-VOL-PRIO1-003
		ADDR pin (in I ² C mode)	-0.3		V _{DD}	V	ROC-VOL-PRIO1-004
		High-speed Data pins	-0.3		V _{CC} +0.3V	V	ROC-VOL-PRIO1-005
		SBTX, SBRX	-0.3		+3.72	V	ROC-VOL-PRIO1-009
V _{SYS}	Power supply voltage for control signals		1.7		3.6	V	ROC-VOL-PRIO1-006
	Power supply voltage for I ² C signals		1.08		3.6	V	ROC-VOL-PRIO1-007
T _{amb}	Ambient temperature	Operating in free air	-20	-	+85	°C	ROC-TMP-PRIO1-008

10 Characteristics

10.1 Device characteristics

Table 15. Device characteristics

Symbol	Parameter	Conditions	Min	Typ	Max	Unit	Unique Identifier
V _{GND_VCC} noise	Noise voltage from DUT (50 Hz to 1 MHz) GND noise/bounce with VCC as the reference point	DUT only and No bypass cap during testing Test recommendations: Battery powered DUT with VCC pin as the reference power plan and measure the GND pin ground bounce. Measured by power rail probe.		18		mVpp	DEV-VOL-PRIO2-001
	Noise voltage (1 MHz to 10 MHz)			18		mVpp	DEV-VOL-PRIO2-002
	Noise voltage (10 MHz to 5 GHz)					10	mVpp
CMRR	Common Mode Rejection Ratio $\Delta(V_{cm,rx})/\Delta(V_{out_diff})$	10 MHz to 1 GHz		30		dB	DEV-DB-PRIO2-004
PSRR	Power Supply Rejection Ratio $\Delta(V_{CC})/\Delta(V_{out_diff})$	10 MHz to 200 MHz		41		dB	DEV-DB-PRIO2-005
t _{Startup}	Start-up time	Between supply voltage exceeding 1.4 V until sampling of control pins	-		3	ms	DEV-TIM-PRIO1-006
t _{Startup_USB}	USB start-up time	Time between configuration in USB operating mode until automatic receive detection is active	-		5	ms	DEV-TIM-PRIO1-007
t _{S(EN-DIS)}	Enable to Disable settling time (Deep power saving mode)	Power down control change until Deep Power Saving mode is entered. Device is supplied with valid supply voltage	-		1	ms	DEV-TIM-PRIO1-008
T _{mode_rcfg}	Mode control Reconfiguration time	Mode control configuration change			0.5	ms	DEV-TIM-PRIO1-010
t _{PD}	Differential Propagation Delay	Differential propagation delay between 50 % level at input and output of SuperSpeed pins		70	90	ps	DEV-TIM-PRIO1-011
t _{idle}	Idle Time	Time to wait before getting into power saving U2/U3 state (in USB Mode), D3 state (in DP), CLx state (TBT3/USB4)		300	400	ms	DEV-TIM-PRIO1-012

Table 15. Device characteristics...continued

Symbol	Parameter	Conditions	Min	Typ	Max	Unit	Unique Identifier
$t_{ps-exit}$	Power Saving Exit Time	Time for exiting from Power saving U2/U3 state and get into Active state in USB3.2 mode, D0 (in DP) and non-CLx state (in TBT3/USB4)			115	μ s	DEV-TIM-PRIO1-013
$t_{LFPS_HS_ON}$	LFPS detection and High speed path activation time	LFPS detection and High speed activation time from TBT3/USB4 CLx Low power states			60	ns	DEV-TIM-PRIO1-014
Gp	Peaking gain (compensation at 10 GHz, 5 GHz and 4.05 GHz, relative to gain at 100 MHz; sinusoidal input of 100 mVppd)	xCTL[2:1] = Hi-Z: Hi-Z at 10 GHz (Table 9)		20		dB	DEV-DB-PRIO2-016
		xCTL[2:1] = Hi-Z: Hi-Z at 5.0 GHz (Table 9)		12.1		dB	DEV-DB-PRIO2-017
		xCTL[2:1] = Hi-Z: Hi-Z at 4.05 GHz (Table 9)		10.2		dB	DEV-DB-PRIO2-018
Gp,var	Peaking gain variation over Gp at 10 GHz		-2.3	-	+2.3	dB	DEV-DB-PRIO1-019
Gf	Flat gain at 100 MHz	positive flat gain setting		+0.7		dB	DEV-DB-PRIO2-020
		negative flat gain setting		-0.7		dB	DEV-DB-PRIO2-021
Gf,var	Flat gain variation over Gf at 100 MHz		-1.2	-	+1.2	dB	DEV-DB-PRIO1-022
OLS _{100M}	Output swing linearity (-1 dB compression point) at 100 MHz	xCTL3 = I ² C (based on I ² C register settings)		500		mVppd	DEV-VOL-PRIO2-023
		xCTL3 = Open		650		mVppd	DEV-VOL-PRIO2-024
		xCTL3 = 0		800		mVppd	DEV-VOL-PRIO2-025
		xCTL3 = 1		950		mVppd	DEV-VOL-PRIO2-026
OLS _{5G}	Output swing linearity (-1 dB compression point) at 5 GHz	xCTL3 = I ² C (based on I ² C register settings)		500		mVppd	DEV-VOL-PRIO2-027
		xCTL3 = Open (Table 10)		650		mVppd	DEV-VOL-PRIO2-028
		xCTL3 = 0 (Table 10)		800		mVppd	DEV-VOL-PRIO2-029
		xCTL3 = 1 (Table 10)		950		mVppd	DEV-VOL-PRIO2-030
OLS _{10G}	Output swing linearity (-1 dB compression point) at 10 GHz	xCTL3 = I ² C (based on I ² C register settings)		500		mVppd	DEV-VOL-PRIO2-031
		xCTL3 = Open (Table 10)		650		mVppd	DEV-VOL-PRIO2-032
		xCTL3 = 0 (Table 10)		800		mVppd	DEV-VOL-PRIO2-033
		xCTL3 = 1 (Table 10)		950		mVppd	DEV-VOL-PRIO2-034
V _{noise_in}	Input referred noise	100 MHz to 15 GHz; Peaking gain of 10.2 dB (flat gain=1) at 10 GHz and OS 950 mVppd		0.8		mV _{rms}	DEV-VOL-PRIO2-035

Table 15. Device characteristics...continued

Symbol	Parameter	Conditions	Min	Typ	Max	Unit	Unique Identifier
		100 MHz to 15 GHz; Peaking gain of 17.3 dB (flat gain = 1) at 10 GHz and OS 950 mVppd		1.0		mV _{rms}	DEV-VOL-PRIO2-036
V _{noise_out}	Output referred noise	100 MHz to 15 GHz; Peaking gain of 10.2 dB (flat gain = 1) at 10 GHz and OS 950 mVppd		2.0		mV _{rms}	DEV-VOL-PRIO2-037
		100 MHz to 15 GHz; Peaking gain of 17.3 dB (flat gain = 1) at 10 GHz and OS 950 mVppd		2.0		mV _{rms}	DEV-VOL-PRIO2-038
V _{LOS}	(I ² C configured) LOS threshold level	LOS threshold 3; I ² C 0X0F byte [5:4] or [1:0]		80		mVppd	DEV-VOL-PRIO2-039
		LOS threshold 2; I ² C 0X0F byte [5:4] or [1:0]		70		mVppd	DEV-VOL-PRIO2-040
		LOS threshold 1; I ² C 0X0F byte [5:4] or [1:0]		60		mVppd	DEV-VOL-PRIO2-041
		LOS threshold 0; I ² C 0X0F byte [5:4] or [1:0]		45		mVppd	DEV-VOL-PRIO2-042
V _{LFPS}	LFPS threshold level		100	180	300	mVppd	DEV-VOL-PRIO1-043
I _{DD}	Supply current All 4 channels active, Mode 2/3/4/5	Output swing linearity selection of 950 mVppd		250	270	mA	DEV-CUR-PRIO1-044
		Output swing linearity selection of 800 mVppd		225	260	mA	DEV-CUR-PRIO1-045
		Output swing linearity selection of 650 mVppd		200	240	mA	DEV-CUR-PRIO1-046
		Output swing linearity selection of 500 mVppd		190	230	mA	DEV-CUR-PRIO1-047
	Supply current 2 channels USB 3.2 active, Mode 1	Output swing linearity selection of 950 mVppd		125	140	mA	DEV-CUR-PRIO1-048
		Output swing linearity selection of 800 mVppd		110	130	mA	DEV-CUR-PRIO1-049
		Output swing linearity selection of 650 mVppd		115	120	mA	DEV-CUR-PRIO1-050
		Output swing linearity selection of 500 mVppd		100	120	mA	DEV-CUR-PRIO1-051
	Supply current 1 lane/channel DP active, Mode 3	Output swing linearity selection of 950 mVppd		62	75	mA	DEV-CUR-PRIO1-052
		Output swing linearity selection of 800 mVppd		57	70	mA	DEV-CUR-PRIO1-053
		Output swing linearity selection of 650 mVppd		52	65	mA	DEV-CUR-PRIO1-054
		Output swing linearity selection of 500 mVppd		47	60	mA	DEV-CUR-PRIO1-055

Table 15. Device characteristics...continued

Symbol	Parameter	Conditions	Min	Typ	Max	Unit	Unique Identifier
	Supply current	Power saving mode (USB U2/ U3 modes)		0.22 ^[1]		mA	DEV-CUR-PRIO2-056
				0.11 ^[2]		mA	DEV-CUR-PRIO2-057
		Power saving mode (No Connection mode)		0.11 ^[3]		mA	DEV-CUR-PRIO1-058
		Power saving mode (DP D3 mode, no USB)		3.2 ^[4]		mA	DEV-CUR-PRIO2-059
		Deep Power-saving state (mode 0)		10		µA	DEV-CUR-PRIO2-060
		TBT3/USB4 CL1/CL2 mode (2 lanes for 4 channels)		0.65		mA	DEV-CUR-PRIO2-062
DDNEXT1	Near end cross talk for adjacent high-speed channels (between TX and RX channels within the same USB3.2/Thunderbolt3/USB4 lanes)	at 10.3 GHz between DTX1 and DRX1 channels; Between DTX2 and DRX2; Between B_IO and A_INN; Between D_IO and C_INN		-60		dB	DEV-DB-PRIO2-063
DDNEXT2	Near end cross talk for adjacent high speed -channels (between TX and RX channels from different USB3.2/Thunderbolt3/USB4 lanes)	at 10.3 GHz between DTX1 and DRX2 channels; Between DTX2 and DRX1; Between B_IO and C_IN Between D_IO and A_IN		-55		dB	DEV-DB-PRIO2-064
Xtak _{oo}	The crosstalk between two output drivers for far end crosstalk analysis. (between any two DP lane/channels, two USB3.2/Thunderbolt3/USB4 TX channels or two USB3.2/Thunderbolt3/USB4 RX channels)	at 10.3 GHz For DP 4-Lane Mode, between any two channels among DRX1, DRX2, DTX1 and DTX2. For X2 USB3.2/TBT3/USB4 Mode, between D_IO and B_IO		-34		dB	DEV-DB-PRIO2-065

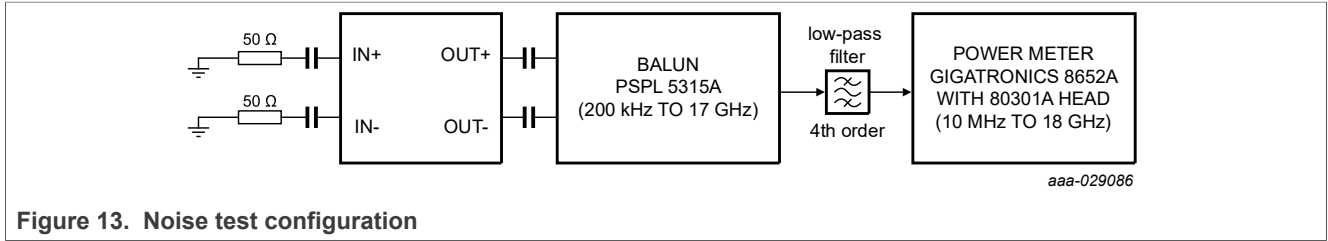
[1] When both lanes are active

[2] When one lane is active. Only LFPS detector is enabled.

[3] Only Rx detection is enabled.

[4] High Speed activity detector is enabled at the input of redriver.

Note: One lane for Thunderbolt3/USB4 and USB3.2 means One TX/RX pairs(channels);
For DisplayPort, One lane means one differential pair (channel)



10.2 Input AC/DC characteristics

Table 16. Input AC/DC characteristics

Symbol	Parameter	Conditions	Min	Typ	Max	Unit	Unique Identifier
$C_{ac_coupling}$	AC coupling capacitance		75		265	nF	INC-CAP-PRIO1-001
$C_{RX_ac_coupling}$	RX AC coupling capacitance		297		363	nF	INC-CAP-PRIO1-002
$T_{Discharge}$	Discharge time				250	ms	INC-TIM-PRIO1-003
R_{in-DC}	Input DC common mode impedance		21		34	Ω	INC-RES-PRIO1-004
$V_{RX-CM-AC-PP}$	RX AC common mode voltage tolerance for USB3.2	A single tone test at 120 MHz is deemed to be an adequate stress test			300	mV _{pp}	INC-VOL-PRIO1-005
$V_{RX-CM-PP1}$	RX AC common mode voltage tolerance for TBT3 and DisplayPort application	A single tone test at 400 MHz is deemed to be an adequate stress test			100	mV _{pp}	INC-VOL-PRIO1-006
$R_{IN-DIFF-DC}$	DC Differential Impedance		90		131	Ω	INC-RES-PRIO1-007
$V_{IP-DC-CM}$	DC biasing/common mode voltage	Biasing on all SuperSpeed pins		1.8		V	INC-VOL-PRIO2-008
$V_{voltage_jump}$	Maximum voltage jump on left side pins (Axx, Bxx, cxx, Dxx) measured before AC coupling capacitors	Applicable during power-on/power-off, transition from low power to active state and vice versa	-0.3		1	V	INC-VOL-PRIO1-009
$Z_{IN-NO-POWER-DC-POS}$	DC input high impedance; VDD>0 during Reset or power down	RX low frequency CM impedance with the RX termination is not powered. Defined at the transmitter side of the AC capacitor as $\min(\Delta_V/\Delta_I)$ upon application of positive Tx step of any size up to +500 mV from steady state	10			k Ω	INC-RES-PRIO1-010

Table 16. Input AC/DC characteristics...continued

Symbol	Parameter	Conditions	Min	Typ	Max	Unit	Unique Identifier
Z _{IN-HIGH-IMP-DC-POS}	USB DC Input High Impedance	USB DC common-mode input impedance when output of redriver is not terminated and V _{DD} between 1.7 V and 1.9 V. USB3.x controller should stop doing RX Detection before V _{DD} is powered down to avoid detection of low-ohmic RX input termination	25			kΩ	INC-RES-PRIO1-011
V _{RX-DIFF-PP}	USB Input voltage (peak to peak differential signal)		45		1200	mV _{ppd}	INC-VOL-PRIO1-012
	DisplayPort Input voltage (peak to peak differential signal)		45		1400	mV _{ppd}	INC-VOL-PRIO1-013
RL _{DD11, IN}	Input differential mode Return Loss	100 MHz to 10.3 GHz		15		dB	INC-DB-PRIO2-014
RL _{CC11, IN}	Input common mode Return Loss	100 MHz to 10.3 GHz		12		dB	INC-DB-PRIO2-015

10.3 Output AC/DC characteristics

Table 17. Output AC/DC characteristics

Symbol	Parameter	Conditions	Min	Typ	Max	Unit	Unique Identifier
R _{OP-DC}	Output DC common mode Impedance		21		34	Ω	OUC-RES-PRIO1-001
R _{OP-DIFF-DC}	Output Differential Impedance		89		131	Ω	OUC-RES-PRIO1-002
V _{OP-DC-CM}	DC biasing/common mode voltage	Output swing linearity selection of 950 mVppd		1.2		V	OUC-VOL-PRIO2-003
		Output swing linearity selection of 800 mVppd		1.3		V	OUC-VOL-PRIO2-004
		Output swing linearity selection of 650 mVppd		1.4		V	OUC-VOL-PRIO2-005
		Output swing linearity selection of 500 mVppd		1.5		V	OUC-VOL-PRIO2-006
V _{TX-CM-AC-PP_ACTIVE}	Output AC Common mode output voltage in active state	Device input fed with differential signal			20	mV _{pp}	OUC-VOL-PRIO1-007
V _{TX-IDLE-DIFF-AC-pp}	Output AC differential output voltage	When link is in electrical idle			10	mV _{ppd}	OUC-VOL-PRIO1-008
V _{voltage_jump}	Maximum voltage jump on right side pins (DTX _{yy} , DRX _{yy}) measured after AC coupling capacitors	Applicable during power-on/power-off, transition from low power to active state and vice versa	-0.3		1	V	OUC-VOL-PRIO1-009
V _{DETECT}	Voltage change allowed during USB receiver detection	Positive voltage swing to sense the receiver termination detection			600	mV	OUC-VOL-PRIO1-010
RL _{DD11, OP}	Output differential mode Return Loss	100 MHz to 10.3 GHz		18		dB	OUC-DB-PRIO2-011
RL _{CC11, OP}	Output common mode Return Loss	100 MHz to 10.3 GHz		12		dB	OUC-DB-PRIO2-012

10.4 AUX and SB snooping monitor characteristics

Table 18. AUX monitor characteristics

Symbol	Parameter	Conditions	Min	Typ	Max	Unit	Unique Identifier
V_I	Bias Voltage at the pin	AUXP/AUXN pins	0		3.6	V	AUX-VOL-PRIO1-001
r_{AUX}	AUX bit rate			1		Mbps	AUX-FRQ-PRIO2-002
$V_{AUX-AC-DIFF-pp}$	AUX AC differential peak-to-peak	AUXP/AUXN pins	0.27		1.38	V_{ppd}	AUX-VOL-PRIO1-003
I_{IL}	Leakage current at the pin.	Pin voltage 3.6 V			+19	μA	AUX-CUR-PRIO1-004
I_{bck}	Back current sunk from pin to powered down supply.	$V_{DD} = 0$, Pin voltage = 3.6 V			+27	μA	AUX-CUR-PRIO1-005
Z_{in}	AUX monitor differential input impedance	Over frequency range of interest DC to 50 MHz		1		$M\Omega$	AUX-RES-PRIO2-006
C_{Aux}	AUX AC coupling capacitance		75		200	nF	AUX-CAP-PRIO1-007

Table 19. SB monitor characteristics

Symbol	Parameter	Conditions	Min	Typ	Max	Unit	Unique Identifier
V_{IH}	High-level pin voltage	SBTX and SBRX pins	2	-	3.72	V	LSX-VOL-PRIO1-001
V_{IL}	Low-level pin voltage	SBTX and SBRX pins	0	-	0.65	V	LSX-VOL-PRIO1-008
r_{AUX}	SB signaling rate		1			Mbaud	LSX-FRQ-PRIO1-002
I_{IL}	Leakage current at the pin	$V_{DD} = 1.8$ V; Pin voltage 3.6 V			+12	μA	LSX-CUR-PRIO1-003
I_{bck}	Back current sunk from pin to powered down supply	$V_{DD} = 0$, Pin voltage = 3.6 V			+18	μA	LSX-CUR-PRIO1-004
$f_{accuracy}$	SB snooping On chip 48 MHz FRO accuracy	ATE testing after OTP trimming			2.5	%	LSX-FRQ-PRIO1-005
$t_{connect_det}$	Connection detection time on SBTX and SBRX pins		0	1	5	μs	LSX-TIM-PRIO1-006
$t_{disconnect_det}$	Disconnect detection time on SBTX and SBRX pins	Default POR setting of b'101 in Device control register (0x05)	0.9	1	1.1	ms	LSX-TIM-PRIO1-007

All S-parameter measurements are with respect to 100 Ω differential impedance reference and 50 Ω single-ended impedance reference.

10.5 Control characteristics for AUTO_ORIENT_EN pin

Table 20. Binary control input characteristics (external system voltage V_{SYS} = 1.7 V to 3.6 V)

Symbol	Parameter	Conditions	Min	Typ	Max	Unit	Unique Identifier
V _{IH}	High level voltage		0.7*V _{DD}		V _{SYS}	V	BIN-VOL-PRIO1-001
V _{IL}	Low level voltage				0.3*V _{DD}	V	BIN-VOL-PRIO1-002
I _{IL}	Leakage current at the pin	V _{DD} = 1.8 V, pin voltage = 3.6 V			+14	μA	BIN-CUR-PRIO1-003
		V _{DD} = 1.8 V, pin voltage = 1.8 V			+1.5	μA	BIN-CUR-PRIO1-004
I _{bck}	Back current sunk from pin to powered down supply	V _{DD} = 0, V _{SYS} = 3.6 V			+24	μA	BIN-CUR-PRIO1-005
C _{pin}	Maximum allowed capacitance at the pin				10	pF	BIN-CAP-PRIO1-006

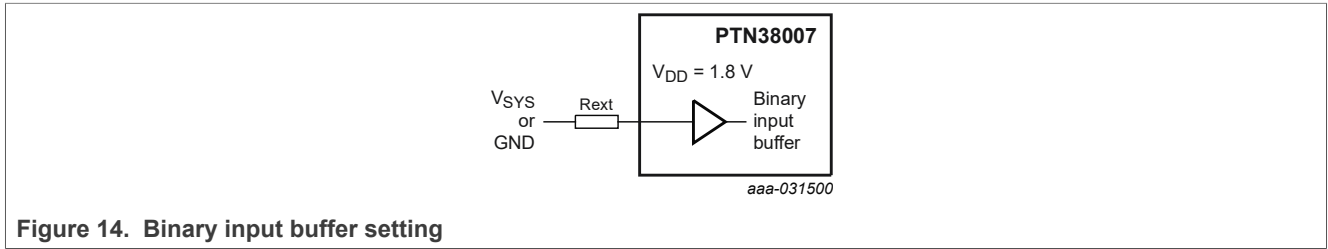
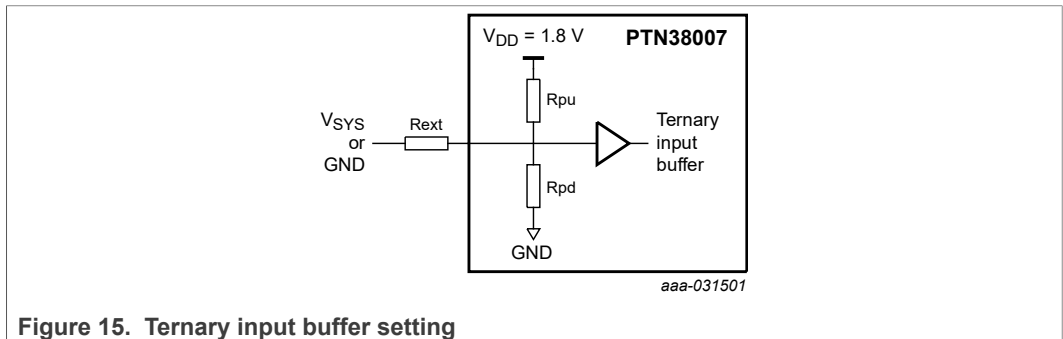


Figure 14. Binary input buffer setting

10.6 Ternary control characteristics for LCTL[1, 2, 3] and RCTL[1, 2, 3] pins

Table 21. Ternary control input characteristics (external system voltage $V_{SYS} = 1.7\text{ V to }3.6\text{ V}$)

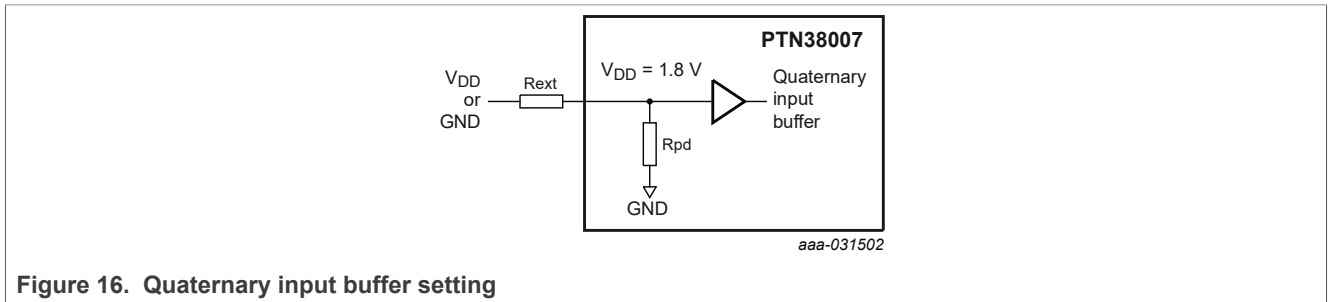
Symbol	Parameter	Conditions	Min	Typ	Max	Unit	Unique Identifier	
V_{IH}	High level voltage	External pull-up 1 k Ω resistor to V_{SYS}	$0.8 \cdot V_{DD}$		V_{SYS}	V	TER-VOL-PRIO1-001	
V_{IM}	Unconnected or open condition		$0.35 \cdot V_{DD}$		$0.45 \cdot V_{DD}$	V	TER-VOL-PRIO1-002	
V_{IL}	Low level voltage	External pull-down 1k Ω resistor to GND			$0.15 \cdot V_{DD}$	V	TER-VOL-PRIO1-003	
I_{IL}	Leakage current when pin is not active	$V_{DD} = 1.8\text{ V}$, pull-up resistor connected to $V_{SYS} = 3.6\text{ V}$			15	μA	TER-CUR-PRIO1-004	
		$V_{DD} = 1.8\text{ V}$, pull-up resistor connected to $V_{SYS} = 1.8\text{ V}$			1	μA	TER-CUR-PRIO1-005	
	Leakage current when pin is active	$V_{DD} = 1.8\text{ V}$, pull-up resistor connected to $V_{SYS} = 3.6\text{ V}$				80	μA	TER-CUR-PRIO1-006
		$V_{DD} = 1.8\text{ V}$, pull-up resistor connected to $V_{SYS} = 1.8\text{ V}$	-25			35	μA	TER-CUR-PRIO1-007
I_{bck}	Back current sunk from pin to powered down supply	$V_{DD} = 0$, $V_{SYS} = 3.6\text{ V}$			20	μA	TER-CUR-PRIO1-008	
R_{pu}	Internal pull-up resistance			120		k Ω	TER-RES-PRIO2-009	
R_{pd}	Internal pull-down resistance			80		k Ω	TER-RES-PRIO2-010	
C_{pin}	Maximum allowed capacitance at the pin				10	pF	TER-CAP-PRIO1-011	



10.7 Quaternary control characteristics for ADDR pin

Table 22. Ternary control input characteristics

Symbol	Parameter	Conditions	Min	Typ	Max	Unit	Unique Identifier
V_{IH1}	High level voltage	Pin connected to V_{DD}	$0.9 \cdot V_{DD}$		$V_{DD} + 0.3$	V	QAT-VOL-PRIO1-001
V_{IH2}	High level voltage	$R_{ext} = 56 \text{ k}\Omega$ (10 % resistor) pull-up to V_{DD}	$0.575 \cdot V_{DD}$		$0.725 \cdot V_{DD}$	V	QAT-VOL-PRIO1-002
V_{IM}	Voltage at unconnected/ open condition	$R_{ext} = 200 \text{ k}\Omega$ (10 % resistor) pull-up to V_{DD}	$0.275 \cdot V_{DD}$		$0.425 \cdot V_{DD}$	V	QAT-VOL-PRIO1-003
V_{IL}	Low level voltage	Pin connected to GND			$0.1 \cdot V_{DD}$	V	QAT-VOL-PRIO1-004
I_{IL}	Leakage current at the pin	Pin voltage = 3.6 V			20	μA	QAT-CUR-PRIO1-005
I_{bck}	Back current sunk from pin to powered down supply	$V_{DD} = 0$; Pin voltage = 3.6 V			20	μA	QAT-CUR-PRIO1-006
R_{pd}	Internal pull-down resistance			105		$\text{k}\Omega$	QAT-RES-PRIO2-007
C_{pin}	Maximum allowed capacitance at the pin				10	pF	QAT-CAP-PRIO1-008



10.8 I²C AC/DC characteristicsTable 23. I²C interface- AC/DC characteristics for SCL and SDA pins

Symbol	Parameter	Conditions	Min	Typ	Max	Unit	Unique Identifier
F _{I2C}	I ² C Clock frequency		0		1000	kHz	SER-FRQ-PRIO1-001
V _{IH}	HIGH-level Input voltage		1.19		3.6	V	SER-VOL-PRIO1-002
V _{IL}	LOW-level Input voltage				0.57	V	SER-VOL-PRIO1-003
V _{hys}	Hysteresis of Schmitt trigger inputs	V _{pullup} < 3.6 V	0.095			V	SER-VOL-PRIO1-004
V _{OL}	LOW-level output voltage at 2mA sink current	V _{pullup} < 3.6 V	0		0.4	V	SER-VOL-PRIO1-005
I _{OL}	LOW-level output current	VOL = 0.4 V; Standard and Fast modes	3			mA	SER-CUR-PRIO1-006
		VOL = 0.4 V; Fast mode plus	20			mA	SER-CUR-PRIO1-007
		VOL = 0.6 V; Fast mode	6			mA	SER-CUR-PRIO1-008
I _{IL}	LOW-level input current	Pin voltage - 0.1* V _{pullup} to 0.9*V _{pullup, max}	-10		10	μA	SER-CUR-PRIO1-009
C _I	Capacitance of I/O pin				10	pF	SER-CAP-PRIO1-010
t _{HD,STA}	Hold time (repeated) START condition	Fast mode plus; After this period, the first clock pulse is generated	0.26			μs	SER-TIM-PRIO1-011
t _{LOW}	LOW period of I ² C clock	Fast mode plus	0.5			μs	SER-TIM-PRIO1-012
t _{HIGH}	HIGH period of I ² C clock	Fast mode plus	0.26			μs	SER-TIM-PRIO1-013
T _{SU,STA}	Setup time (repeated) START condition	Fast mode plus	0.26			μs	SER-TIM-PRIO1-014
T _{HD,DAT}	Data Hold time	Fast mode plus	0			μs	SER-TIM-PRIO1-015
T _{SU,DAT}	Data Setup time	Fast mode plus	50			ns	SER-TIM-PRIO1-016
T _r	Rise time of I ² C_SCL and I ² C_SDA signals	Fast mode plus	-		120	ns	SER-TIM-PRIO1-017
T _f	Fall time of I ² C_SCL and I ² C_SDA signals	Fast mode plus	-		120	ns	SER-TIM-PRIO1-018
T _{SU,STO}	Setup time for STOP condition	Fast mode plus	0.26			μs	SER-TIM-PRIO1-019
t _{BUF}	Bus free time between STOP and START condition	Fast mode plus	0.5			μs	SER-TIM-PRIO1-020
t _{VD,DAT}	Data valid time	Fast mode plus			0.45	μs	SER-TIM-PRIO1-021

Table 23. I²C interface- AC/DC characteristics for SCL and SDA pins...continued

Symbol	Parameter	Conditions	Min	Typ	Max	Unit	Unique Identifier
t _{VD,ACK}	Data valid acknowledge time	Fast mode plus			0.45	µs	SER-TIM-PRIO1-022
t _{SP}	Pulse width of spikes that must be suppressed by input filter		0		50	ns	SER-TIM-PRIO1-023

Note: V_{pullup} is external pull-up voltage on SCL and SDA pins. The voltage can be up to 3.3 V from another power supply.

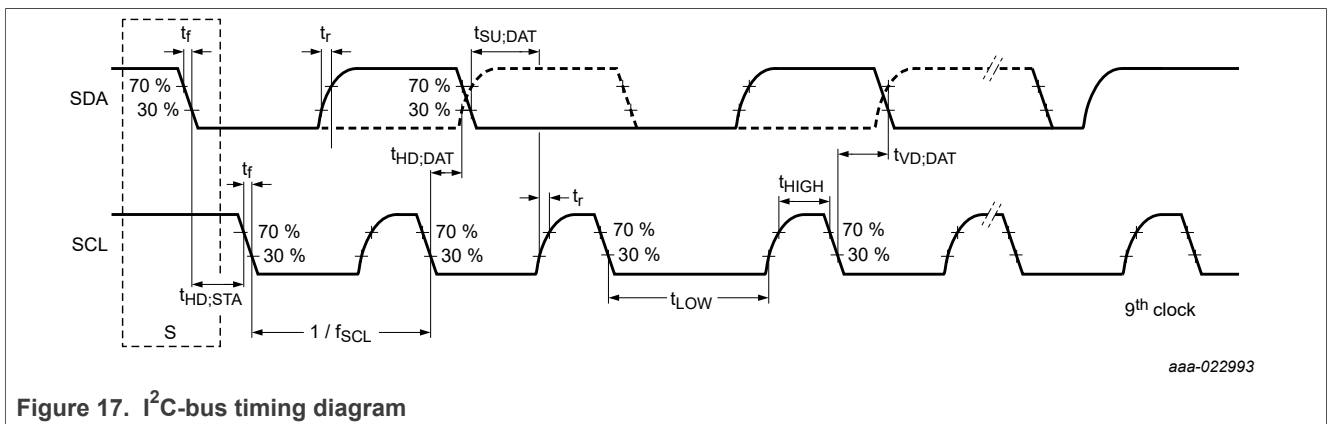


Figure 17. I²C-bus timing diagram

11 Package outline

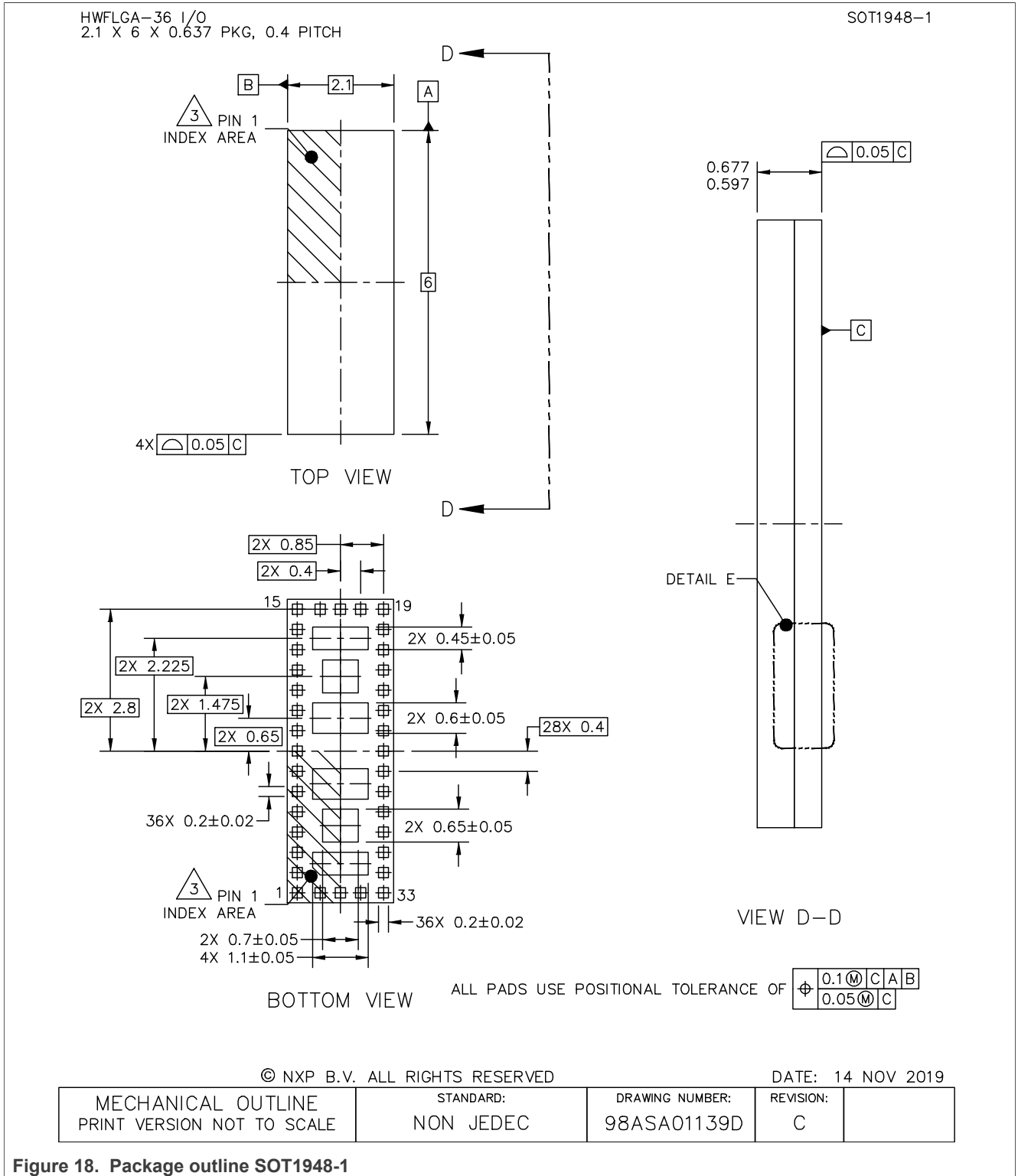
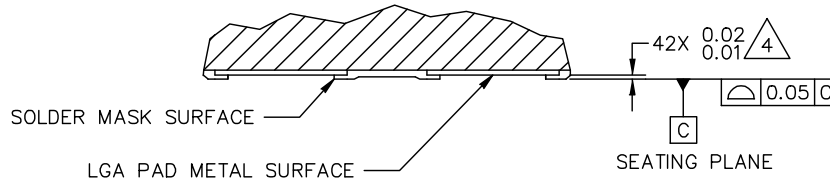


Figure 18. Package outline SOT1948-1

HWFLGA-36 I/O
2.1 X 6 X 0.637 PKG, 0.4 PITCH

SOT1948-1



DETAIL E
VIEW ROTATED 90° CW

© NXP B.V. ALL RIGHTS RESERVED

DATE: 14 NOV 2019

MECHANICAL OUTLINE PRINT VERSION NOT TO SCALE	STANDARD: NON JEDEC	DRAWING NUMBER: 98ASA01139D	REVISION: C	
--	------------------------	--------------------------------	----------------	--

Figure 19. Package outline dt HWFLGA36 (SOT1948-1)

HWFLGA-36 I/O
2.1 X 6 X 0.637 PKG, 0.4 PITCH

SOT1948-1

NOTES:

1. ALL DIMENSIONS ARE IN MILLIMETERS.
2. DIMENSIONING AND TOLERANCING PER ASME Y14.5M-1994.

3. PIN 1 CONFIGURATION MAY VARY.

4. DIMENSION APPLIES TO ALL LEADS.

© NXP B.V. ALL RIGHTS RESERVED

DATE: 14 NOV 2019

MECHANICAL OUTLINE PRINT VERSION NOT TO SCALE	STANDARD: NON JEDEC	DRAWING NUMBER: 98ASA01139D	REVISION: C	
--	------------------------	--------------------------------	----------------	--

Figure 20. Package outline note HWFLGA36 (SOT1948-1)

12 Packing information

12.1 SOT1948-1; HWFLGA36; reel dry pack, SMD, 13" Q1 standard product orientation ordering code (12NC) ending 019

12.1.1 Dimensions and quantities

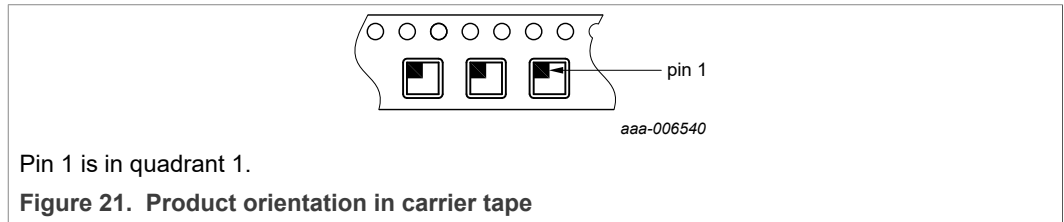
Table 24. Dimensions and quantities

Reel dimensions d × w (mm) ^[1]	SPQ/PQ (pcs) ^[2]	Reels per box
330 × 12	7000	1

[1] d = reel diameter; w = tape width.

[2] Packing quantity dependent on specific product type. View ordering and availability details at [NXP order portal](#), or contact your local NXP representative.

12.1.2 Product orientation



12.1.3 Carrier tape dimensions

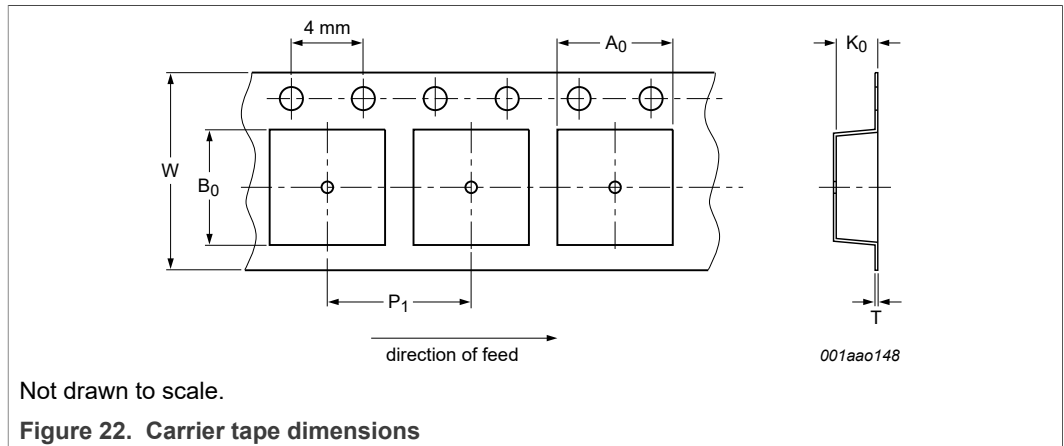
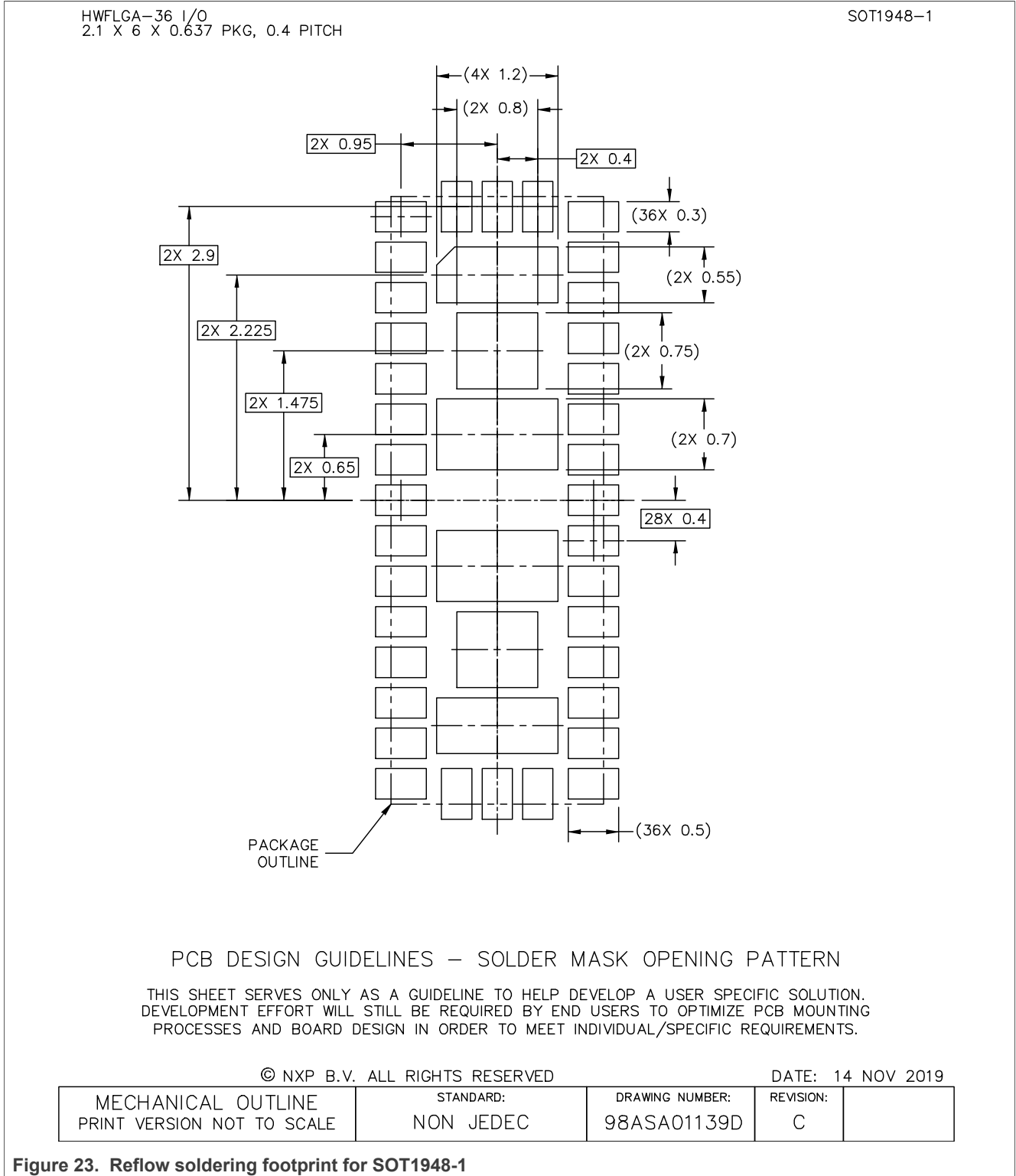


Table 25. Carrier tape dimensions

In accordance with IEC 60286-3/EIA-481.

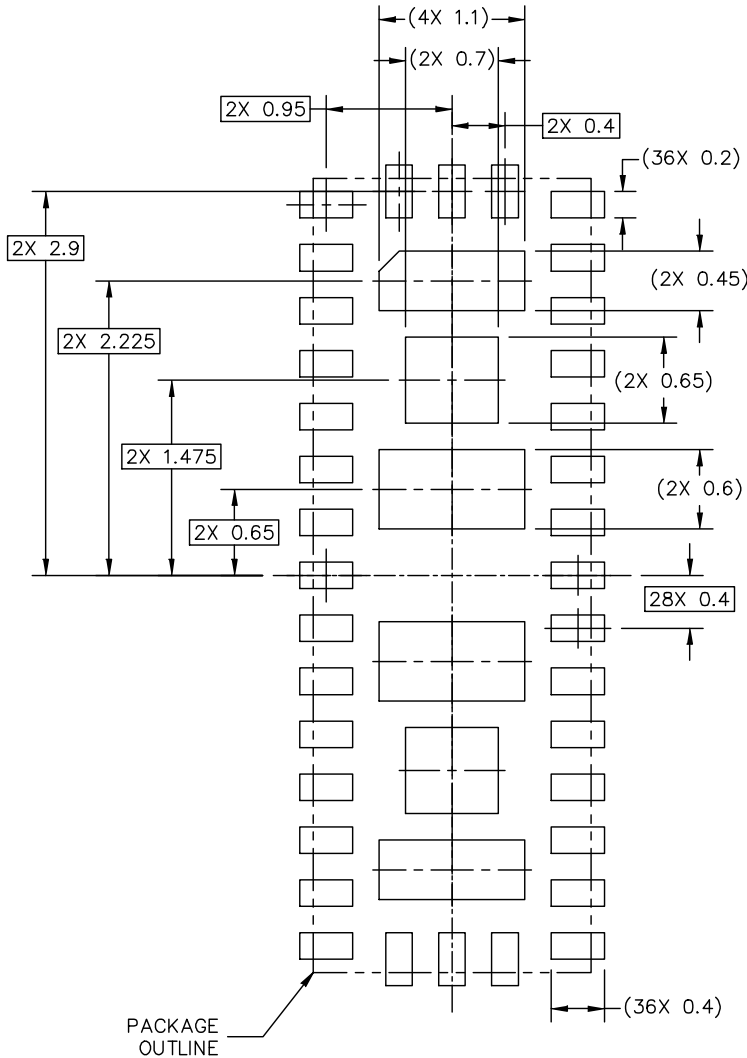
A ₀ (mm)	B ₀ (mm)	K ₀ (mm)	T (mm)	P ₁ (mm)	W (mm)
2.30 ± 0.05	6.30 ± 0.05	0.85 +.1/-0.05	0.30 ± 0.05	8 ± 0.1	12 +0.3/-0.1

13 Soldering



HWFLGA-36 I/O
2.1 X 6 X 0.637 PKG, 0.4 PITCH

SOT1948-1



PCB DESIGN GUIDELINES – I/O PADS AND SOLDERABLE AREA

THIS SHEET SERVES ONLY AS A GUIDELINE TO HELP DEVELOP A USER SPECIFIC SOLUTION. DEVELOPMENT EFFORT WILL STILL BE REQUIRED BY END USERS TO OPTIMIZE PCB MOUNTING PROCESSES AND BOARD DESIGN IN ORDER TO MEET INDIVIDUAL/SPECIFIC REQUIREMENTS.

© NXP B.V. ALL RIGHTS RESERVED

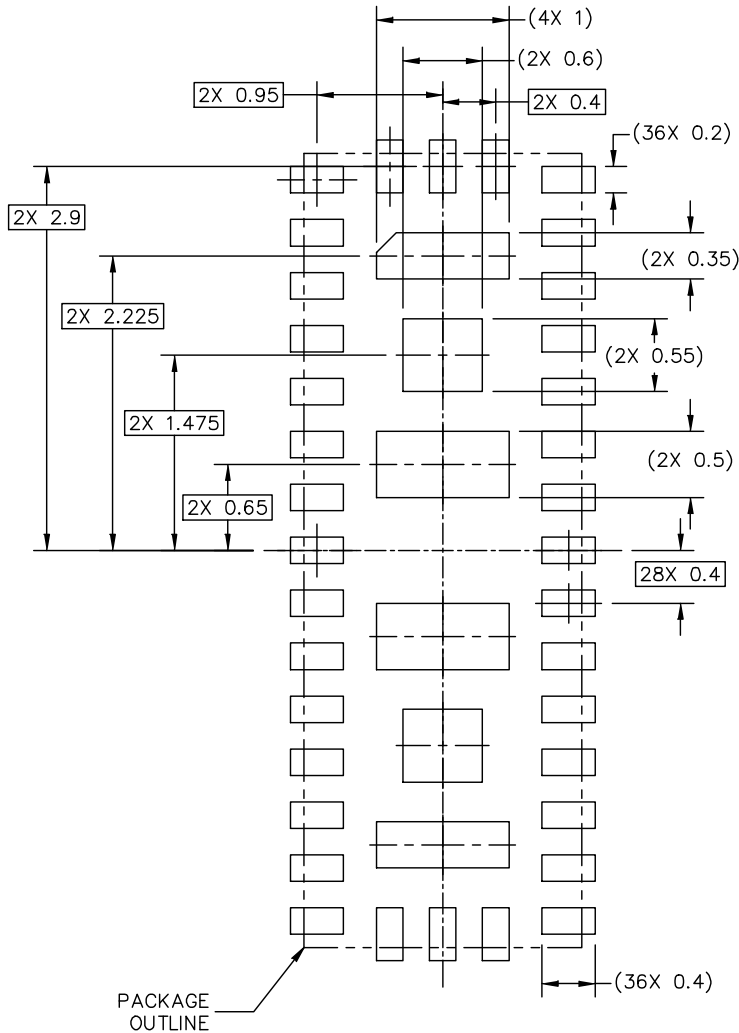
DATE: 14 NOV 2019

MECHANICAL OUTLINE PRINT VERSION NOT TO SCALE	STANDARD: NON JEDEC	DRAWING NUMBER: 98ASA01139D	REVISION: C	
--	------------------------	--------------------------------	----------------	--

Figure 24. Reflow soldering footprint part2 for HWFLGA36 (SOT1948-1)

HWFLGA-36 I/O
2.1 X 6 X 0.637 PKG, 0.4 PITCH

SOT1948-1



RECOMMENDED STENCIL THICKNESS 0.1

PCB DESIGN GUIDELINES – SOLDER PASTE STENCIL

THIS SHEET SERVES ONLY AS A GUIDELINE TO HELP DEVELOP A USER SPECIFIC SOLUTION. DEVELOPMENT EFFORT WILL STILL BE REQUIRED BY END USERS TO OPTIMIZE PCB MOUNTING PROCESSES AND BOARD DESIGN IN ORDER TO MEET INDIVIDUAL/SPECIFIC REQUIREMENTS.

© NXP B.V. ALL RIGHTS RESERVED

DATE: 14 NOV 2019

MECHANICAL OUTLINE PRINT VERSION NOT TO SCALE	STANDARD: NON JEDEC	DRAWING NUMBER: 98ASA01139D	REVISION: C	
--	------------------------	--------------------------------	----------------	--

Figure 25. Reflow soldering footprint part3 for HWFLGA36 (SOT1948-1)

14 Abbreviations

Table 26. Abbreviations

Acronym	Description
CDM	Charged Device Model
USB4	Converged IO specification (aka USB4)
DFP	Downstream Facing Port
DP	DisplayPort
Gbps	Gigabits per second
HBM	Human Body Model
LBPM	LFPS Based PWM Message
LFPS	Low Frequency Periodic Signaling
LPM	Link Power Management
NC	No Connect
Rx	Receiver
SI	Signal Integrity
TX	Transmitter
UFP	Upstream Facing Port
USB	Universal Serial Bus

15 References

- [1] USB3.2 Specification, Revision 1.0, Sep 22, 2017
- [2] Thunderbolt Interconnect Specification - USB Type-C TBT Alternate mode Rev 1.5, Draft v0.8, Oct 2017
- [3] USB4 Specification Version 1.0, June 2020
- [4] VESA DisplayPort v1.4a, Apr 19, 2018 (with the addition of additional data rates - 10/13.5/20 Gbps from DisplayPort v2.0 specification)
- [5] UM10204, "I²C-bus specification and user manual"; NXP Semiconductors, Rev 6, April 4, 2014

16 Revision history

Table 27. Revision history

Document ID	Release Date	Data sheet status	Change notice	Supersedes
PTN38007 v2.1	20211208	Product data sheet	-	PTN38007 v2.0
Modifications:	<ul style="list-style-type: none"> • Section 7.8.6: Corrected description for 0x0F bits [5:4] and [1:0] 			
PTN38007 v2.0	20211022	Product data sheet	202110005I	PTN38007 v1.0
Modifications:	<ul style="list-style-type: none"> • Changed "DP1.4" to "DisplayPort" throughout • Updated with DP2.0 link rates 			
PTN38007 v1.0	20210607	Product data sheet	-	-

17 Legal information

17.1 Data sheet status

Document status ^{[1][2]}	Product status ^[3]	Definition
Objective [short] data sheet	Development	This document contains data from the objective specification for product development.
Preliminary [short] data sheet	Qualification	This document contains data from the preliminary specification.
Product [short] data sheet	Production	This document contains the product specification.

[1] Please consult the most recently issued document before initiating or completing a design.

[2] The term 'short data sheet' is explained in section "Definitions".

[3] The product status of device(s) described in this document may have changed since this document was published and may differ in case of multiple devices. The latest product status information is available on the Internet at URL <http://www.nxp.com>.

17.2 Definitions

Draft — A draft status on a document indicates that the content is still under internal review and subject to formal approval, which may result in modifications or additions. NXP Semiconductors does not give any representations or warranties as to the accuracy or completeness of information included in a draft version of a document and shall have no liability for the consequences of use of such information.

Short data sheet — A short data sheet is an extract from a full data sheet with the same product type number(s) and title. A short data sheet is intended for quick reference only and should not be relied upon to contain detailed and full information. For detailed and full information see the relevant full data sheet, which is available on request via the local NXP Semiconductors sales office. In case of any inconsistency or conflict with the short data sheet, the full data sheet shall prevail.

Product specification — The information and data provided in a Product data sheet shall define the specification of the product as agreed between NXP Semiconductors and its customer, unless NXP Semiconductors and customer have explicitly agreed otherwise in writing. In no event however, shall an agreement be valid in which the NXP Semiconductors product is deemed to offer functions and qualities beyond those described in the Product data sheet.

17.3 Disclaimers

Limited warranty and liability — Information in this document is believed to be accurate and reliable. However, NXP Semiconductors does not give any representations or warranties, expressed or implied, as to the accuracy or completeness of such information and shall have no liability for the consequences of use of such information. NXP Semiconductors takes no responsibility for the content in this document if provided by an information source outside of NXP Semiconductors.

In no event shall NXP Semiconductors be liable for any indirect, incidental, punitive, special or consequential damages (including - without limitation - lost profits, lost savings, business interruption, costs related to the removal or replacement of any products or rework charges) whether or not such damages are based on tort (including negligence), warranty, breach of contract or any other legal theory.

Notwithstanding any damages that customer might incur for any reason whatsoever, NXP Semiconductors' aggregate and cumulative liability towards customer for the products described herein shall be limited in accordance with the Terms and conditions of commercial sale of NXP Semiconductors.

Right to make changes — NXP Semiconductors reserves the right to make changes to information published in this document, including without limitation specifications and product descriptions, at any time and without notice. This document supersedes and replaces all information supplied prior to the publication hereof.

Suitability for use — NXP Semiconductors products are not designed, authorized or warranted to be suitable for use in life support, life-critical or safety-critical systems or equipment, nor in applications where failure or malfunction of an NXP Semiconductors product can reasonably be expected to result in personal injury, death or severe property or environmental damage. NXP Semiconductors and its suppliers accept no liability for inclusion and/or use of NXP Semiconductors products in such equipment or applications and therefore such inclusion and/or use is at the customer's own risk.

Applications — Applications that are described herein for any of these products are for illustrative purposes only. NXP Semiconductors makes no representation or warranty that such applications will be suitable for the specified use without further testing or modification.

Customers are responsible for the design and operation of their applications and products using NXP Semiconductors products, and NXP Semiconductors accepts no liability for any assistance with applications or customer product design. It is customer's sole responsibility to determine whether the NXP Semiconductors product is suitable and fit for the customer's applications and products planned, as well as for the planned application and use of customer's third party customer(s). Customers should provide appropriate design and operating safeguards to minimize the risks associated with their applications and products.

NXP Semiconductors does not accept any liability related to any default, damage, costs or problem which is based on any weakness or default in the customer's applications or products, or the application or use by customer's third party customer(s). Customer is responsible for doing all necessary testing for the customer's applications and products using NXP Semiconductors products in order to avoid a default of the applications and the products or of the application or use by customer's third party customer(s). NXP does not accept any liability in this respect.

Limiting values — Stress above one or more limiting values (as defined in the Absolute Maximum Ratings System of IEC 60134) will cause permanent damage to the device. Limiting values are stress ratings only and (proper) operation of the device at these or any other conditions above those given in the Recommended operating conditions section (if present) or the Characteristics sections of this document is not warranted. Constant or repeated exposure to limiting values will permanently and irreversibly affect the quality and reliability of the device.

Terms and conditions of commercial sale — NXP Semiconductors products are sold subject to the general terms and conditions of commercial sale, as published at <http://www.nxp.com/profile/terms>, unless otherwise agreed in a valid written individual agreement. In case an individual agreement is concluded only the terms and conditions of the respective agreement shall apply. NXP Semiconductors hereby expressly objects to applying the customer's general terms and conditions with regard to the purchase of NXP Semiconductors products by customer.

No offer to sell or license — Nothing in this document may be interpreted or construed as an offer to sell products that is open for acceptance or the grant, conveyance or implication of any license under any copyrights, patents or other industrial or intellectual property rights.

Quick reference data — The Quick reference data is an extract of the product data given in the Limiting values and Characteristics sections of this document, and as such is not complete, exhaustive or legally binding.

Export control — This document as well as the item(s) described herein may be subject to export control regulations. Export might require a prior authorization from competent authorities.

Suitability for use in non-automotive qualified products — Unless this data sheet expressly states that this specific NXP Semiconductors product is automotive qualified, the product is not suitable for automotive use. It is neither qualified nor tested in accordance with automotive testing or application requirements. NXP Semiconductors accepts no liability for inclusion and/or use of non-automotive qualified products in automotive equipment or applications.

In the event that customer uses the product for design-in and use in automotive applications to automotive specifications and standards, customer (a) shall use the product without NXP Semiconductors' warranty of the product for such automotive applications, use and specifications, and (b) whenever customer uses the product for automotive applications beyond NXP Semiconductors' specifications such use shall be solely at customer's own risk, and (c) customer fully indemnifies NXP Semiconductors for any liability, damages or failed product claims resulting from customer design and use of the product for automotive applications beyond NXP Semiconductors' standard warranty and NXP Semiconductors' product specifications.

Translations — A non-English (translated) version of a document is for reference only. The English version shall prevail in case of any discrepancy between the translated and English versions.

Security — Customer understands that all NXP products may be subject to unidentified vulnerabilities or may support established security standards or specifications with known limitations. Customer is responsible for the design and operation of its applications and products throughout their lifecycles to reduce the effect of these vulnerabilities on customer's applications and products. Customer's responsibility also extends to other open and/or proprietary technologies supported by NXP products for use in customer's applications. NXP accepts no liability for any vulnerability. Customer should regularly check security updates from NXP and follow up appropriately.

Customer shall select products with security features that best meet rules, regulations, and standards of the intended application and make the ultimate design decisions regarding its products and is solely responsible for compliance with all legal, regulatory, and security related requirements concerning its products, regardless of any information or support that may be provided by NXP.

NXP has a Product Security Incident Response Team (PSIRT) (reachable at PSIRT@nxp.com) that manages the investigation, reporting, and solution release to security vulnerabilities of NXP products.

17.4 Trademarks

Notice: All referenced brands, product names, service names, and trademarks are the property of their respective owners.

NXP — wordmark and logo are trademarks of NXP B.V.

Tables

Tab. 1.	Ordering information	3	Tab. 14.	Operating conditions	32
Tab. 2.	Ordering options	4	Tab. 15.	Device characteristics	33
Tab. 3.	Pin description	5	Tab. 16.	Input AC/DC characteristics	37
Tab. 4.	Downstream pin connection in DFP application	12	Tab. 17.	Output AC/DC characteristics	39
Tab. 5.	Upstream pin connection to host processor in DFP application	12	Tab. 18.	AUX monitor characteristics	40
Tab. 6.	Upstream pin connection in UFP application	14	Tab. 19.	SB monitor characteristics	40
Tab. 7.	Downstream pin connection to device processor in UFP application	14	Tab. 20.	Binary control input characteristics (external system voltage $V_{SYS} = 1.7\text{ V}$ to 3.6 V)	41
Tab. 8.	LCTL[2:1] and RCTL[2:1] Channel configurations: Flat gain setting of 0	18	Tab. 21.	Ternary control input characteristics (external system voltage $V_{SYS} = 1.7\text{ V}$ to 3.6 V)	42
Tab. 9.	LCTL[2:1] and RCTL[2:1] Channel configurations: Flat gain setting of 1	19	Tab. 22.	Ternary control input characteristics	43
Tab. 10.	LCTL3/RCTL3 channel configuration	19	Tab. 23.	I2C interface- AC/DC characteristics for SCL and SDA pins	44
Tab. 11.	I2C slave address options	19	Tab. 24.	Dimensions and quantities	49
Tab. 12.	I2C registers and description	20	Tab. 25.	Carrier tape dimensions	49
Tab. 13.	Limiting values	30	Tab. 26.	Abbreviations	53
			Tab. 27.	Revision history	55

Figures

Fig. 1.	Block diagram	4	Fig. 14.	Binary input buffer setting	41
Fig. 2.	PTN38007 pinning (transparent top view)	5	Fig. 15.	Ternary input buffer setting	42
Fig. 3.	Connection illustration when PTN38007 in DFP application	11	Fig. 16.	Quaternary input buffer setting	43
Fig. 4.	Connection illustration when PTN38007 in UFP application	13	Fig. 17.	I2C-bus timing diagram	45
Fig. 5.	AUTO_ORIENT_EN control flow diagram	15	Fig. 18.	Package outline SOT1948-1	46
Fig. 6.	Auto-orientation flowchart	16	Fig. 19.	Package outline dt HWFLGA36 (SOT1948-1)	47
Fig. 7.	Mode transition state diagram	17	Fig. 20.	Package outline note HWFLGA36 (SOT1948-1)	48
Fig. 8.	LCTL/RCTL signals to corresponding transmitter or receiver	18	Fig. 21.	Product orientation in carrier tape	49
Fig. 9.	I2C read sequence	28	Fig. 22.	Carrier tape dimensions	49
Fig. 10.	I2C write sequence	28	Fig. 23.	Reflow soldering footprint for SOT1948-1	50
Fig. 11.	Reading one or more consecutive registers	29	Fig. 24.	Reflow soldering footprint part2 for HWFLGA36 (SOT1948-1)	51
Fig. 12.	Writing one or more consecutive registers	29	Fig. 25.	Reflow soldering footprint part3 for HWFLGA36 (SOT1948-1)	52
Fig. 13.	Noise test configuration	37			

Contents

1	General description	1	13	Soldering	50
2	Features and benefits	2	14	Abbreviations	53
3	Applications	3	15	References	54
4	Ordering information	3	16	Revision history	55
4.1	Ordering options	4	17	Legal information	56
5	Block diagram	4			
6	Pinning information	5			
6.1	Pinning	5			
6.2	Pin description	5			
7	Functional description	8			
7.1	USB3.2 operation	8			
7.2	DisplayPort operation	8			
7.2.1	AUX monitoring and configuration	9			
7.3	Thunderbolt3/USB4 operation	9			
7.3.1	SB snooping monitor	9			
7.4	Signal detectors	9			
7.5	Linear redriver controls	10			
7.6	USB Type-C DFP application	11			
7.7	USB Type-C UFP application	13			
7.8	Control and programmability	14			
7.8.1	Power-on operational mode	14			
7.8.2	Auto Orientation Detection feature	15			
7.8.3	Mode transitions	16			
7.8.4	Channel settings for USB3.2, DisplayPort and Thunderbolt3/USB4 Modes	17			
7.8.5	I2C configurability	19			
7.8.6	I2C registers	20			
7.8.7	I2C read/write operations	27			
7.8.7.1	Single byte register reads/writes	28			
7.8.7.2	Multi-byte register reads/writes	28			
8	Limiting values	30			
9	Recommended operating conditions	32			
10	Characteristics	33			
10.1	Device characteristics	33			
10.2	Input AC/DC characteristics	37			
10.3	Output AC/DC characteristics	39			
10.4	AUX and SB snooping monitor characteristics	40			
10.5	Control characteristics for AUTO_ORIENT_ EN pin	41			
10.6	Ternary control characteristics for LCTL[1, 2, 3] and RCTL[1, 2, 3] pins	42			
10.7	Quaternary control characteristics for ADDR pin	43			
10.8	I2C AC/DC characteristics	44			
11	Package outline	46			
12	Packing information	49			
12.1	SOT1948-1; HWFLGA36; reel dry pack, SMD, 13" Q1 standard product orientation ordering code (12NC) ending 019	49			
12.1.1	Dimensions and quantities	49			
12.1.2	Product orientation	49			
12.1.3	Carrier tape dimensions	49			

Please be aware that important notices concerning this document and the product(s) described herein, have been included in section 'Legal information'.

X-ON Electronics

Largest Supplier of Electrical and Electronic Components

Click to view similar products for [USB Interface IC](#) category:

Click to view products by [NXP](#) manufacturer:

Other Similar products are found below :

[CY7C69356-48LTXC](#) [USB3319C-GJ-TR](#) [USB3370B-EZK-TR](#) [CYPD2120-24LQXI](#) [CYPD2122-20FNXIT](#) [CYPD2122-24LQXIT](#) [LIF-UC120-SWG36ITR50](#) [UPD360-A/6HX](#) [CP2102NP1174GM](#) [CG8454AM](#) [DPO2039DABQ-13](#) [CY7C68034-56LTXC](#) [TUSB213IRGYT](#) [TUSB213RGYT](#) [USB3503T-I/ML](#) [CY7C63310-SXC](#) [CY7C68013A-56LTXIT](#) [USB3316C-CP-TR](#) [USB3250-ABZJ](#) [FT220XS-R](#) [MAX3107ETG+](#) [MAX14632EZK+T](#) [USB3300-EZK](#) [LAN9514-JZX](#) [CYPD2120-24LQXIT](#) [MAX3100CEE+T](#) [USB5826-I/KD](#) [USB5826/KD](#) [USB5906/KD](#) [USB5916/KD](#) [USB5926/KD](#) [TUSB215QRGYTQ1](#) [TUSB522PRGER](#) [NB7NPQ701MMTTBG](#) [TUSB213RGYR](#) [USB5926-I/KD](#) [USB5906-I/KD](#) [USB4640I-HZH-03](#) [CY7C63813-SXC](#) [CY7C63823-SXC](#) [CY7C64215-28PVXC](#) [CY7C68013A-128AXC](#) [CY7C68013A-56LTXI](#) [CY7C68013A-56PVXC](#) [CY7C68013A-56PVXI](#) [CYPD1120-40LQXI](#) [AP43771VDKZ-13](#) [AP43771VFBZ-13](#) [DIO32320MP10](#) [HT42B534-2](#)