

# SL3S1204

## UCODE 7

Rev. 4.0 — 5 March 2019  
241340

Product data sheet  
COMPANY PUBLIC

## 1 General description

---

NXP's UCODE 7 IC is the leading-edge EPC Gen2 RFID chip that offers best-in-class performance and features for use in the most demanding RFID tagging applications.

Particularly well suited for inventory management application, like e.g Retail and Fashion, with its leading edge RF performance for any given form factor, UCODE 7 enables long read distance and fast inventory of dense RFID tag population. With its broadband design, it offers the possibility to manufacture true global RFID label with best-in-class performance over worldwide regulations.

The device also provides a pre-serialized 96-bit EPC and a Parallel encoding feature. For applications where the same 58-bit Stock Keeping Unit (SKU) needs to be encoded on multiple tags, at the same time, a combination of both features improves and simplifies the tag initialization process.

On top UCODE 7 offers a Tag Power Indicator for RFID tag initialization optimization and a Product Status Flag for Electronic Article Surveillance (EAS) application.



## 2 Features and benefits

### 2.1 Key features

- Read sensitivity -21 dBm
- Write sensitivity -16 dBm
- Parallel encoding mode: 100 items in 60ms
- Encoding speed: 16 bits per millisecond
- Innovative functionalities
  - Tag Power Indicator
  - Pre-serialization for 96-bit EPC
  - Integrated Product Status Flag (PSF)
- Compatible with single-slit antenna
- Up to 128-bit EPC
- 96-bit Unique Tag Identifier (TID) factory locked, including 48-bit unique serial number
- EPC Gen2 v2.0 ready

#### 2.1.1 Memory

- Up to 128-bit of EPC memory
- Supports pre-serialization for 96-bit EPC
- 96-bit Tag Identifier (TID) factory locked
- 48-bit unique serial number factory-encoded into TID
- No User Memory
- 32-bit kill password to permanently disable the tag
- 32-bit access password
- Wide operating temperature range: -40 °C up to +85 °C
- Minimum 100.000 write cycle endurance

### 2.2 Key benefits

#### 2.2.1 End user benefit

- Long READ and WRITE ranges due to leading edge chip sensitivity
- Very fast bulk encoding
- Product identification through unalterable extended TID range, including a 48-bit serial number
- Reliable operation in dense reader and noisy environments through high interference rejection

#### 2.2.2 Antenna design benefits

- High sensitivity enables smaller and cost efficient antenna designs for the same retail category
- Tag Power Indicator features enables very high density of inlay on rolls without cross-talk issues during writing/encoding

- The different input capacitance for the single slit antenna solution provides an additional possibility in tuning of the impedance for the antenna design

### 2.2.3 Label manufacturer benefit

- Large RF pad-to-pad distance to ease antenna design
- Symmetric RF inputs are less sensitive to process variation
- Single slit antenna for a more mechanically stable antenna connection
- Pre-serialization of the 96-bit EPC
- Extremely fast encoding of the EPC content

## 2.3 Supported features

- All mandatory commands of EPC global specification V.1.2.0 are implemented including:
  - (Perma)LOCK
  - Kill Command
- The following optional commands are implemented in conformance with the EPC specification:
  - Access
  - BlockWrite (2 words, 32-bit)
- Product Status Flag bit: enables the UHF RFID tag to be used as EAS (Electronic Article Surveillance) tag without the need for a back-end data base.
- Tag Power Indicator: enables the reader to select only ICs/tags that have enough power to be written to.
- Parallel encoding: allows for the ability to bring (multiple) tag(s) quickly to the OPEN state and hence allowing single tags to be identified simply, without timing restrictions, or multiple tags to be e.g. written to at the same time, considerably reducing the encoding process

All supported features of UCODE 7 can be activated using standard EPCglobal READ / WRITE / ACCESS / SELECT commands. No custom commands are needed to take advantage of all the features in case of unlocked EPC memory. The parallel encoding feature may however require a firmware upgrade of the reader to use its full potential.

## 3 Applications

---

### 3.1 Markets

- Retail/Fashion (apparel, footwear, jewelry, cosmetics)
- Fast Moving Consumer Goods

### 3.2 Applications

- Retail Inventory management
- Supply chain management
- Loss prevention
- Asset management

Outside the applications mentioned above, please contact NXP Semiconductors for support.

## 4 Ordering information

**Table 1. Ordering information**

Type number	Package			
	Name	IC type	Description	Version
SL3S1204FUD/BG1	Wafer	UCODE 7	bumped die on sawn 8" 120 µm wafer 7 µm Polyimide spacer	not applicable
SL3S1204FUD/HA1	Wafer	UCODE 7	die with large pads 3 µm Au, 10 µm Polyimide spacer on sawn 8" 120 µm wafer	not applicable
SL3S1204FUD2/BG1	Wafer	UCODE 7	bumped die on sawn 12" 120 µm wafer 7 µm Polyimide spacer	not applicable
SL3S1204FTB0/1	XSON6	UCODE 7	plastic extremely thin small outline package; no leads; 6 terminals; body 1 × 1.45 × 0.5 mm	SOT886F1

## 5 Marking

Table 2. Marking codes

Type number	Marking code	Comment	Version
SL3S1204FTB0/1	YM	UCODE 7	SOT886

## 6 Block diagram

The SL3S1204 IC consists of three major blocks:

- Analog Interface
- Digital Control
- EEPROM

The analog part provides stable supply voltage and demodulates data received from the reader which is then processed by the digital part. Further, the modulation transistor of the analog part transmits data back to the reader.

The digital section includes the state machines, processes the protocol and handles communication with the EEPROM, which contains the EPC and the user data.

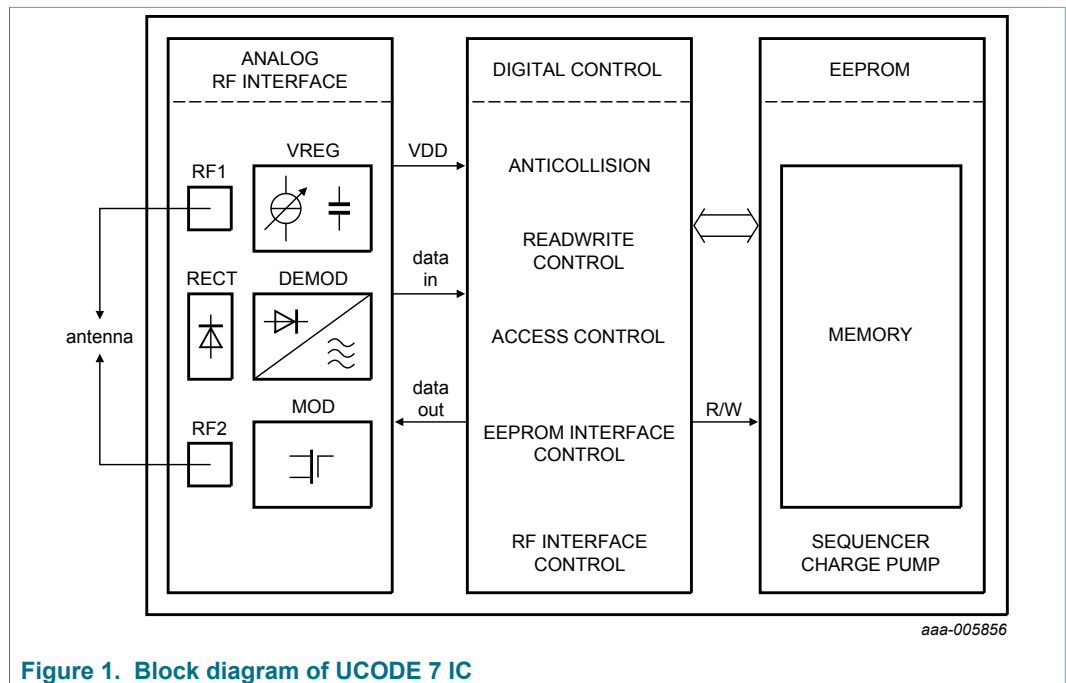


Figure 1. Block diagram of UCODE 7 IC

## 7 Pinning information

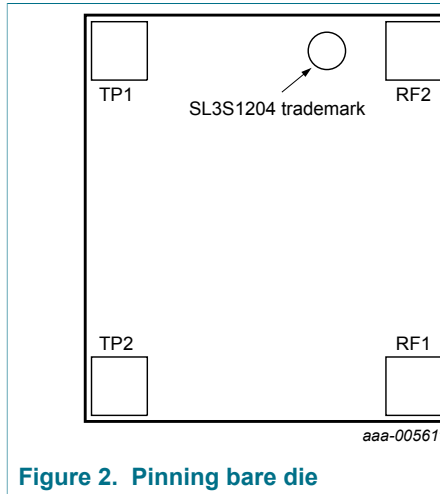


Figure 2. Pinning bare die

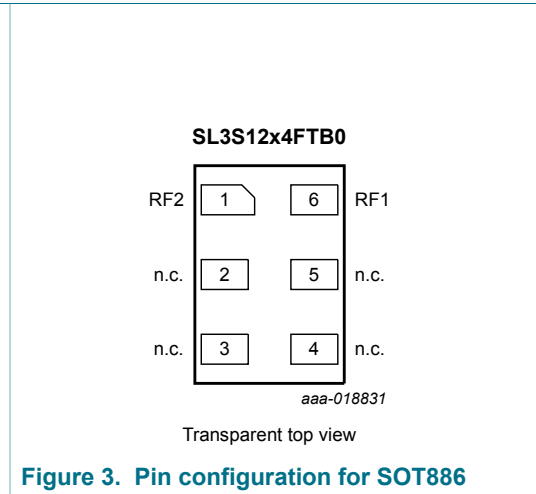


Figure 3. Pin configuration for SOT886

### 7.1 Pin description

Table 3. Pin description bare die

Symbol	Description
TP1	test pad 1
RF1	antenna connector 1
TP2	test pad 2
RF2	antenna connector 2

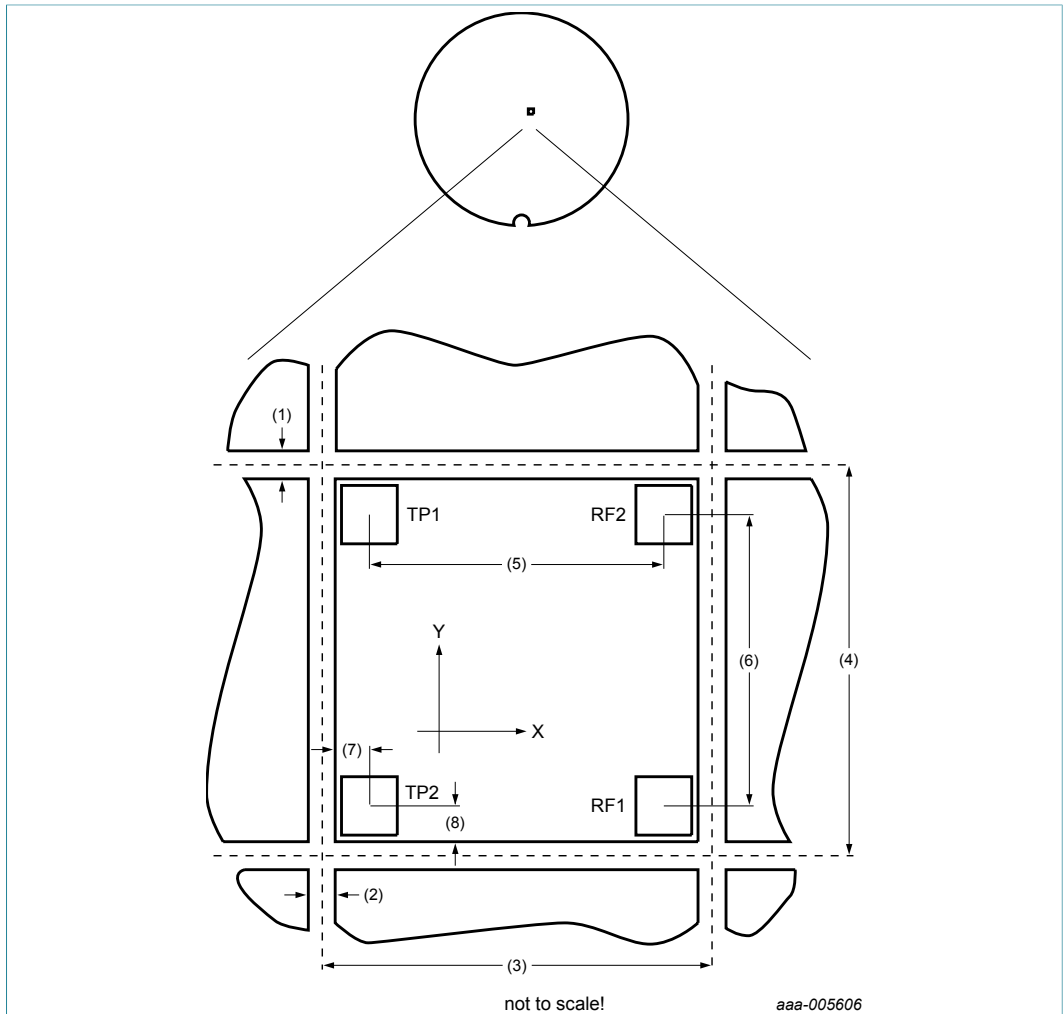
Table 4. Pin description SOT886

Pin	Symbol	Description
1	RF2	antenna connector
2	n.c.	not connected
3	n.c.	not connected
4	n.c.	not connected
5	n.c.	not connected
6	RF1	antenna connector



8 Wafer layout

8.1 Wafer layout 8 inch



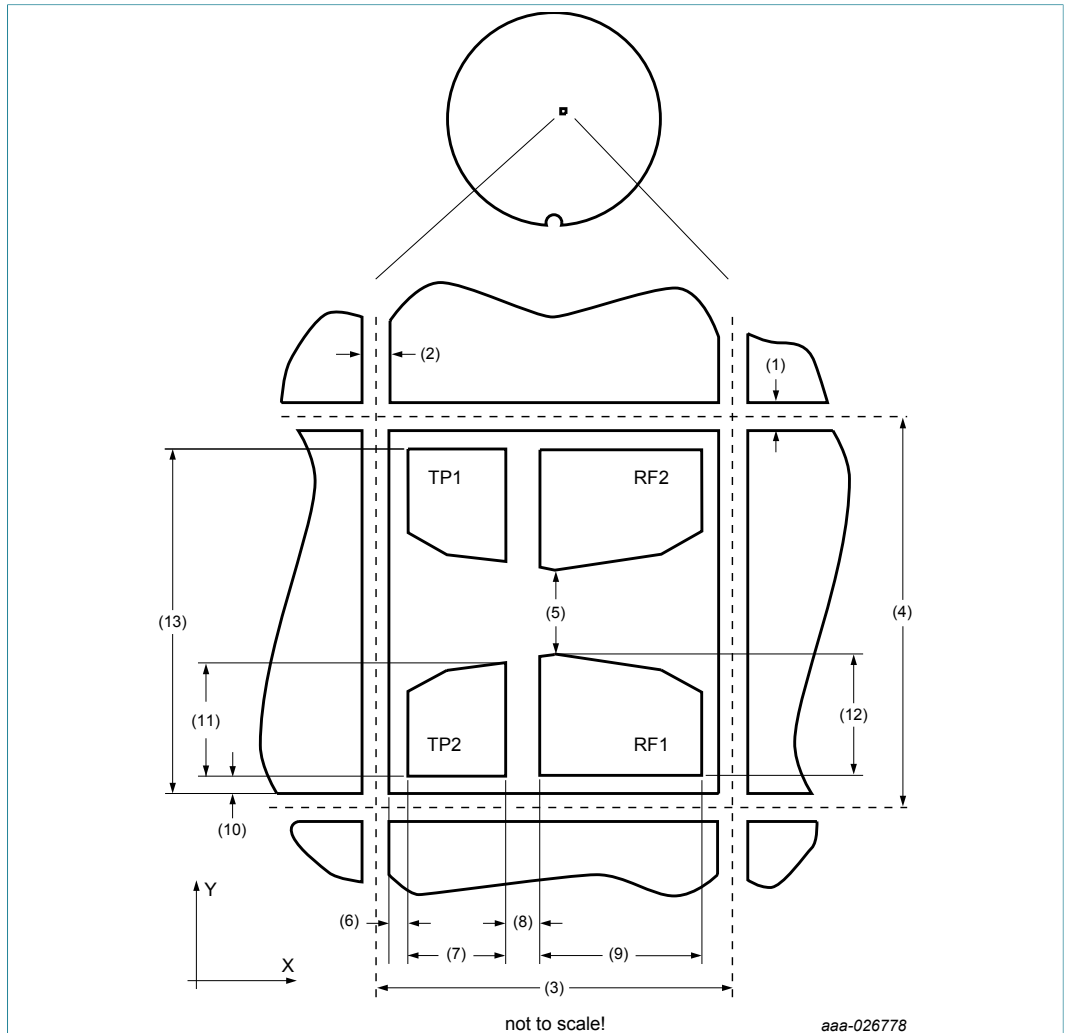
1. Die to Die distance (metal sealing - metal sealing) 21,4  $\mu\text{m}$ , (X-scribe line width: 15  $\mu\text{m}$ )
2. Die to Die distance (metal sealing - metal sealing) 21,4  $\mu\text{m}$ , (Y-scribe line width: 15  $\mu\text{m}$ )
3. Chip step, x-length: 460  $\mu\text{m}$
4. Chip step, y-length: 505  $\mu\text{m}$
5. Bump to bump distance X (TP1 - RF2): 358  $\mu\text{m}$
6. Bump to bump distance Y (RF1 - RF2): 403  $\mu\text{m}$
7. Distance bump to metal sealing X: 40,3  $\mu\text{m}$  (outer edge - top metal)
8. Distance bump to metal sealing Y: 40,3  $\mu\text{m}$

Bump size X x Y: 60  $\mu\text{m}$  x 60  $\mu\text{m}$

**Remark:** TP1 and TP2 are electrically disconnected after dicing

Figure 4. UCODE 7 8 inch wafer layout

8.2 Wafer layout 8 inch with large pads

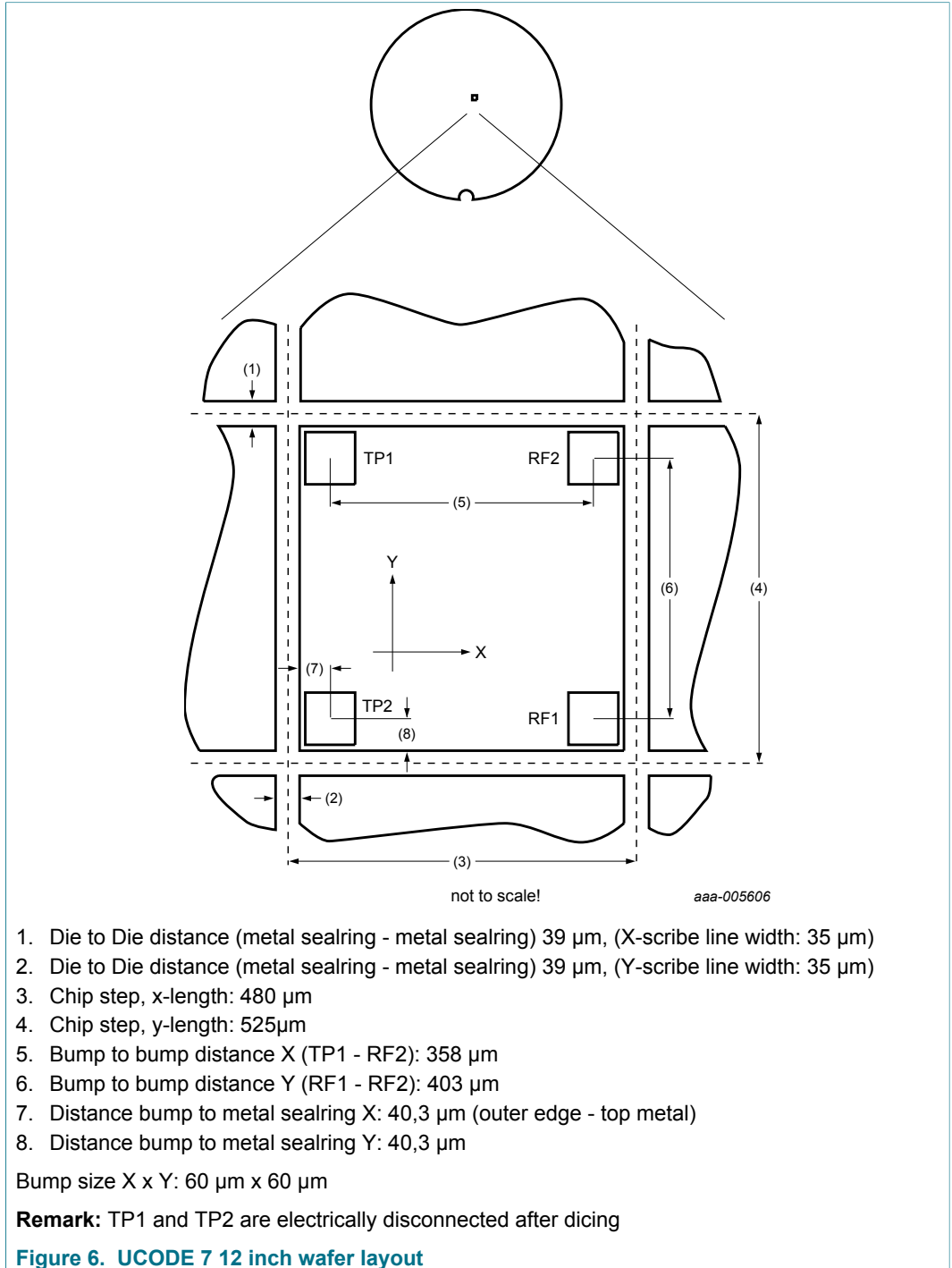


1. Die to Die distance (metal searing - metal searing) 21,4  $\mu\text{m}$ , (Y-scribe line width: 15  $\mu\text{m}$ )
2. Die to Die distance (metal searing - metal searing) 21,4  $\mu\text{m}$ , (X-scribe line width: 15  $\mu\text{m}$ )
3. Chip step, x-length: 460  $\mu\text{m}$
4. Chip step, y-length: 505  $\mu\text{m}$
5. Bump to bump distance Y (RF1 - RF2): 115  $\mu\text{m}$
6. Distance bump to metal searing X: 23,5  $\mu\text{m}$
7. Bump size (TP1, TP2) X: 130  $\mu\text{m}$
8. Bump to bump distance X (RF1 - TP2): 50  $\mu\text{m}$
9. Bump size (RF1, RF2) X: 218  $\mu\text{m}$
10. Distance bump to metal searing Y: 23,5  $\mu\text{m}$
11. Bump size (TP1, TP2) Y: 153,1  $\mu\text{m}$
12. Bump size (RF1, RF2) Y: 164  $\mu\text{m}$
13. Distance bump to metal searing Y: 466,5  $\mu\text{m}$

**Remark:** TP1 and TP2 are electrically disconnected after dicing

**Figure 5. UCODE 7 8 inch wafer layout with large pads**

8.3 Wafer layout 12 inch



## 9 Mechanical specification

The UCODE 7 wafers are available in 120  $\mu\text{m}$  thickness. The 120  $\mu\text{m}$  thick wafer is enhanced with 7 $\mu\text{m}$  /10 $\mu\text{m}$  Polyimide spacer resulting in less coupling between the antenna and the active circuit, leaving more room for process control (like pressure).

### 9.1 Wafer specification

#### 9.1.1 8 inch Wafer, Standard bumps

See [2].

**Table 5. Specifications**

<b>Wafer</b>	
Designation	each wafer is scribed with batch number and wafer number
Diameter	200 mm (8") unsawn - 205 mm typical sawn on foil
Thickness	
SL3S1204FUD/BG	120 $\mu\text{m} \pm 15 \mu\text{m}$
Number of pads	4
Pad location	non diagonal / placed in chip corners
Distance pad to pad RF1-RF2	403.0 $\mu\text{m}$
Distance pad to pad TP1-RF2	358.0 $\mu\text{m}$
Process	CMOS 0.14 $\mu\text{m}$
Batch size	25 wafers
Potential good dies per wafer	126.524
<b>Wafer backside</b>	
Material	Si
Treatment	ground and stress release
Roughness	$R_a$ max. 0.5 $\mu\text{m}$ , $R_t$ max. 5 $\mu\text{m}$
<b>Chip dimensions</b>	
Die size excluding scribe	0.490 mm $\times$ 0.445 mm = 0.218 mm <sup>2</sup>
Scribe line width:	x-dimension = 15 $\mu\text{m}$
	y-dimension = 15 $\mu\text{m}$
<b>Passivation on front</b>	
Type	Sandwich structure
Material	PE-Nitride (on top)
Thickness	1.75 $\mu\text{m}$ total thickness of passivation
Polyimide spacer	7 $\mu\text{m} \pm 1 \mu\text{m}$
<b>Au bump</b>	

Bump material	> 99.9 % pure Au
Bump hardness	35 – 80 HV 0.005
Bump shear strength	> 70 MPa
Bump height	
SL3S1204FUD/BG	25 $\mu\text{m}$ <sup>[1]</sup>
Bump height uniformity	
within a die	$\pm 2 \mu\text{m}$
– within a wafer	$\pm 3 \mu\text{m}$
– wafer to wafer	$\pm 4 \mu\text{m}$
Bump flatness	$\pm 1.5 \mu\text{m}$
Bump size	
– RF1, RF2	60 × 60 $\mu\text{m}$
– TP1, TP2	60 × 60 $\mu\text{m}$
Bump size variation	$\pm 5 \mu\text{m}$

[1] Because of the 7  $\mu\text{m}$  spacer, the bump will measure 18  $\mu\text{m}$  relative height protruding the spacer.

### 9.1.2 8 inch Wafer, Large pads

See [2].

**Table 6. Specifications**

<b>Wafer</b>	
Designation	each wafer is scribed with batch number and wafer number
Diameter	200 mm (8") unsawn - 205 mm typical sawn on foil
Thickness	
SL3S1204FUD/HA	120 $\mu\text{m} \pm 15 \mu\text{m}$
Number of pads	4
Pad location	non diagonal / placed in chip corners
Process	CMOS 0.14 $\mu\text{m}$
Batch size	25 wafers
Potential good dies per wafer	126.524
<b>Wafer backside</b>	
Material	Si
Treatment	ground and stress release
Roughness	$R_a$ max. 0.5 $\mu\text{m}$ , $R_t$ max. 5 $\mu\text{m}$
<b>Chip dimensions</b>	
Die size excluding scribe	0.490 mm × 0.445 mm = 0.218 mm <sup>2</sup>
Scribe line width:	x-dimension = 15 $\mu\text{m}$

	y-dimension = 15 $\mu\text{m}$
<b>Passivation on front</b>	
Type	Sandwich structure
Material	PE-Nitride (on top)
Thickness	1.75 $\mu\text{m}$ total thickness of passivation
Polyimide spacer	10 $\mu\text{m} \pm 2 \mu\text{m}$
<b>Au Pad</b>	
Pad material	> 99.9 % pure Au
Pad hardness	35 – 80 HV 0.005
Pad shear strength	> 70 MPa
Pad height	
SL3S1204FUD/HA	3 $\mu\text{m}$
Pad height uniformity	
within a die	max. 2 $\mu\text{m}$
– within a wafer	max. 4 $\mu\text{m}$
Pad flatness	max. 3 $\mu\text{m}$
Pad size	
– RF1, RF2 (max. details see wafer layout)	218 $\times$ 164 $\mu\text{m}$
– TP1, TP2 (max. details see wafer layout)	130 $\times$ 153.1 $\mu\text{m}$
Pad size variation	$\pm 5 \mu\text{m}$

### 9.1.3 12 inch Wafer

See [\[4\]](#)

**Table 7. Specifications**

<b>Wafer</b>	
Designation	each wafer is scribed with batch number and wafer number
Diameter	300 mm (12") unsawn and sawn on foil
Thickness	
SL3S1204FUD2	120 $\mu\text{m} \pm 15 \mu\text{m}$
Number of pads	4
Pad location	non diagonal / placed in chip corners
Distance pad to pad RF1-RF2	403.0 $\mu\text{m}$
Distance pad to pad TP1-RF2	358.0 $\mu\text{m}$
Process	CMOS 0.14 $\mu\text{m}$
Batch size	25 wafers
Potential good dies per wafer	264.696
<b>Wafer backside</b>	

Material	Si
Treatment	ground and stress release
Roughness	R <sub>a</sub> max. 0.5 μm, R <sub>t</sub> max. 5 μm
<b>Chip dimensions</b>	
Die size excluding scribe	0.490 mm × 0.445 mm = 0.218 mm <sup>2</sup>
Scribe line width:	x-dimension = 35 μm
	y-dimension = 35 μm
<b>Passivation on front</b>	
Type	Sandwich structure
Material	PE-Nitride (on top)
Thickness	1.75 μm total thickness of passivation
Polyimide spacer	7 μm ± 1 μm
<b>Au bump</b>	
Bump material	> 99.9 % pure Au
Bump hardness	35 – 80 HV 0.005
Bump shear strength	> 70 MPa
Bump height	
SL3S1204FUD2	25 μm <sup>[1]</sup>
Bump height uniformity	
within a die	± 2 μm
– within a wafer	± 3 μm
– wafer to wafer	± 4 μm
Bump flatness	± 1.5 μm
Bump size	
– RF1, RF2	60 × 60 μm
– TP1, TP2	60 × 60 μm
Bump size variation	± 5 μm

[1] Because of the 7 μm spacer, the bump will measure 18 μm relative height protruding the spacer.

#### 9.1.4 Fail die identification

No inkdots are applied to the wafer.

Electronic wafer mapping (SECS II format) covers the electrical test results and additionally the results of mechanical/visual inspection.

See [\[2\]](#)

See [\[4\]](#)

### 9.1.5 Map file distribution

See [\[2\]](#)

See [\[4\]](#)



## 10 Functional description

### 10.1 Air interface standards

The UCODE 7 fully supports all parts of the "Specification for RFID Air Interface EPCglobal, EPC Radio-Frequency Identity Protocols, Class-1 Generation-2 UHF RFID, Protocol for Communications at 860 MHz to 960 MHz, Version 1.2.0".

### 10.2 Power transfer

The interrogator provides an RF field that powers the tag, equipped with a UCODE 7. The antenna transforms the impedance of free space to the chip input impedance in order to get the maximum possible power for the UCODE 7 on the tag.

The RF field, which is oscillating on the operating frequency provided by the interrogator, is rectified to provide a smoothed DC voltage to the analog and digital modules of the IC.

The antenna that is attached to the chip may use a DC connection between the two antenna pads. Therefore the UCODE 7 also enables loop antenna design.

### 10.3 Data transfer

#### 10.3.1 Interrogator to tag Link

An interrogator transmits information to the UCODE 7 by modulating an UHF RF signal. The UCODE 7 receives both information and operating energy from this RF signal. Tags are passive, meaning that they receive all of their operating energy from the interrogator's RF waveform.

An interrogator is using a fixed modulation and data rate for the duration of at least one inventory round. It communicates to the UCODE 7 by modulating an RF carrier.

For further details refer to [\[1\]](#). Interrogator-to-tag (R=>T) communications.

#### 10.3.2 Tag to interrogator Link

Upon transmitting a valid command an interrogator receives information from a UCODE 7 tag by transmitting an unmodulated RF carrier and listening for a backscattered reply. The UCODE 7 backscatters by switching the reflection coefficient of its antenna between two states in accordance with the data being sent. For further details refer to [\[1\]](#), chapter 6.3.1.3.

The UCODE 7 communicates information by backscatter-modulating the amplitude and/or phase of the RF carrier. Interrogators shall be capable of demodulating either demodulation type.

The encoding format, selected in response to interrogator commands, is either FM0 baseband or Miller-modulated subcarrier.

### 10.4 Supported commands

The UCODE 7 supports all **mandatory** EPCglobal V1.2.0 commands including

- Kill command

- (perma) LOCK command

In addition the UCODE7 supports the following **optional** commands:

- ACCESS
- Block Write (32 bit)

## 10.5 UCODE 7 memory

The UCODE 7 memory is implemented according EPCglobal Class1Gen2 and organized in three banks:

**Table 8. UCODE 7 memory sections**

Name	Size	Bank
Reserved memory (32 bit ACCESS and 32 bit KILL password)	64 bit	00b
EPC (excluding 16 bit CRC-16 and 16 bit PC)	128 bit	01b
UCODE 7 Configuration Word	16 bit	01b
TID (including permalocked unique 48 bit serial number)	96 bit	10b

The logical address of all memory banks begin at zero (00h).

In addition to the three memory banks one configuration word to handle the UCODE 7 specific features is available at EPC bank 01 address bit-200h. The configuration word is described in detail in 9.6.

The TID complies to the extended tag Identification scheme according GS1 EPC Tag Data Standard 1.6.

### 10.5.1 UCODE 7 overall memory map

**Table 9. UCODE 7 overall memory map**

Bank address	Memory address	Type	Content	Initial	Remark
Bank 00	00h to 1Fh	reserved	kill password	all 00h	unlocked memory
	20h to 3Fh	reserved	access password	all 00h	unlocked memory
Bank 01 EPC	00h to 0Fh	EPC	CRC-16: refer to [1]		memory mapped calculated CRC
	10h to 14h	EPC	EPC length	00110b	unlocked memory
	15h	EPC	UMI	0b	unlocked memory
	16h	EPC	XPC indicator	0b	hardwired to 0
	17h to 1Fh	EPC	numbering system indicator	00h	unlocked memory
	20h to 9Fh	EPC	EPC	[1]	unlocked memory
Bank 01 Config Word	200h	EPC	RFU	0b	locked memory
	201h	EPC	RFU	0b	locked memory
	202h	EPC	Parallel encoding	0b	Action bit <sup>[2]</sup>
	203h	EPC	RFU	0b	locked memory
	204h	EPC	Tag Power Indicator	0b	Action bit <sup>[2]</sup>

Bank address	Memory address	Type	Content	Initial	Remark
	205h	EPC	RFU	0b	locked memory
	206h	EPC	RFU	0b	locked memory
	207h	EPC	RFU	0b	locked memory
	208h	EPC	RFU	0b	locked memory
	209h	EPC	max. backscatter strength	1b	permanent bit <sup>[3]</sup>
	20Ah	EPC	RFU	0b	locked memory
	20Bh	EPC	RFU	0b	locked memory
	20Ch	EPC	RFU	0b	locked memory
	20Dh	EPC	RFU	0b	locked memory
	20Eh	EPC	RFU	0b	locked memory
	20Fh	EPC	PSF alarm flag	0b	Permanent bit <sup>[3]</sup>
Bank 10 TID	00h to 07h	TID	allocation class identifier	1110 0010b	locked memory
	08h to 13h	TID	tag mask designer identifier	1000 0000 0110b	locked memory
	14h	TID	config word indicator	1b <sup>[4]</sup>	locked memory
	14h to 1Fh	TID	tag model number	TMNR <sup>[5]</sup>	locked memory
	20h to 2Fh	TID	XTID header	2000h	locked memory
	30h to 5Fh	TID	serial number	SNR	locked memory

[1] HEX E280 6890 0000 nnnn nnnn nnnn

where n are the nibbles of the SNR from the TID

[2] Action bits: meant to trigger a feature upon a SELECT command on the related bit ref feature control mechanism, see [Section 10.6.1](#)

[3] Permanent bit: permanently stored bits in the memory; Read/Writeable according EPC bank lock status, see [Section 10.6.1](#)

[4] Indicates the existence of a Configuration Word at the end of the EPC number

[5] See [Figure 7](#)

### 10.5.2 UCODE 7 TID memory details

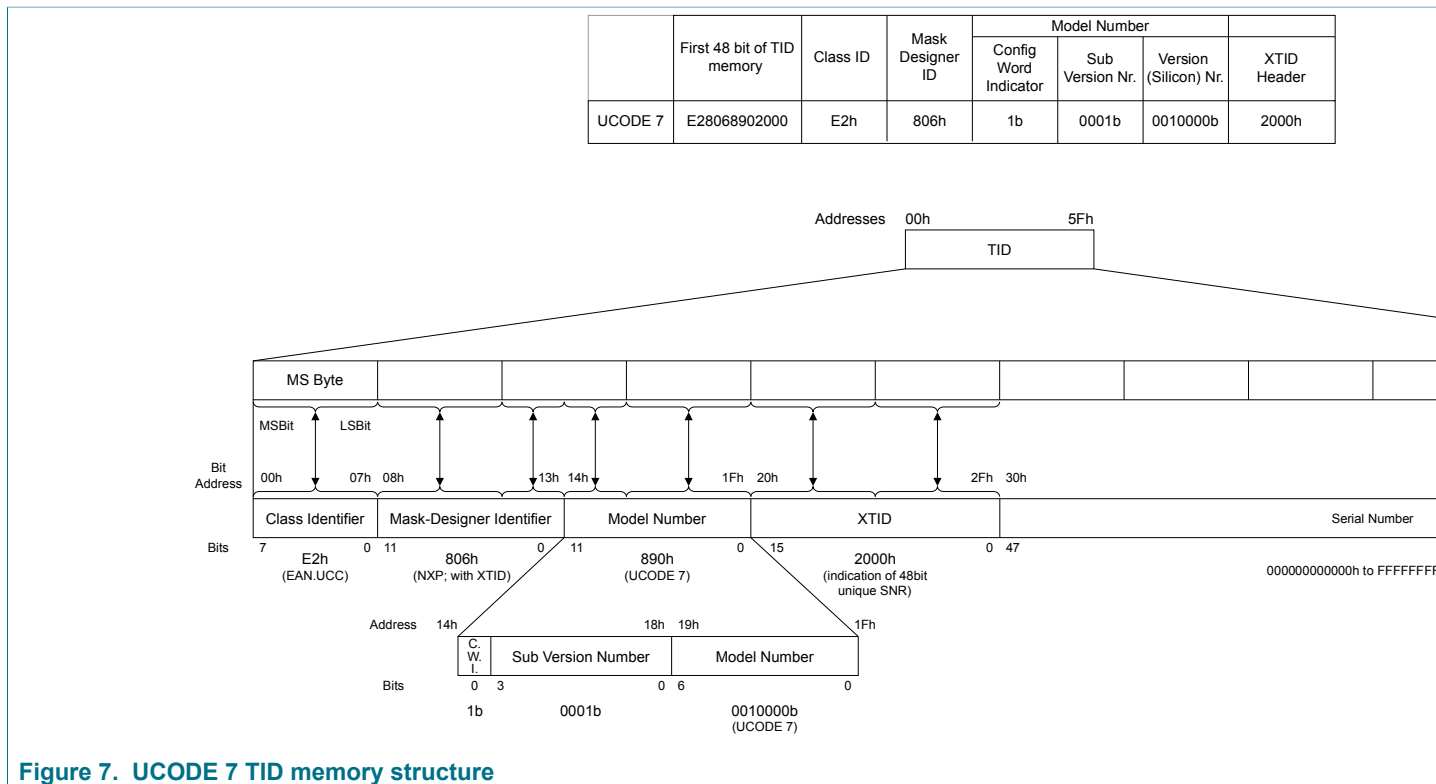


Figure 7. UCODE 7 TID memory structure

## 10.6 Supported features

The UCODE 7 is equipped with a number of additional features, which are implemented in such a way that standard EPCglobal READ / WRITE / ACCESS / SELECT commands can be used to operate these features.

The Configuration Word, as mentioned in the memory map, describes the additional features located at address 200h of the EPC memory.

Bit 14h of the TID indicates the existence of a Configuration Word. This flag will enable the selection of configuration word enhanced transponders in mixed tag populations.

Please refer to [3] for additional reference.

### 10.6.1 UCODE 7 features control mechanism

The different features of the UCODE 7 can be activated / de-activated by addressing or changing the content of the corresponding bit in the configuration word located at address 200h in the EPC memory bank (see Table 10). The de-activation of the action bit features will only happen after chip reset.

Table 10. Configuration word UCODE 7

Locked memory		Action bit	Locked memory	Action bit	Locked memory		
RFU	RFU	Parallel encoding	RFU	Tag Power Indicator	RFU	RFU	RFU
0	1	2	3	4	5	6	7

Table 11. Configuration word UCODE 7 ... continued

Locked memory	Permanent bit	Locked memory					Permanent bit
RFU	max. backscatter strength	RFU	RFU	RFU	RFU	RFU	PSF Alarm bit
8	9	10	11	12	13	14	15

The configuration word contains 2 different type of bits:

- **Action bits:** meant to trigger a feature upon a SELECT command on the related bit:  
Parallel encoding  
Tag Power indicator
- **Permanent bits:** permanently stored bits in the memory  
Max. Backscatter Strength  
PSF Alarm bit

The activation or the de-activation of the feature behind the permanent bits happens only when attempting to write a "1" value to the related bit (value toggling) - writing "0" value will have no effect.

If the feature is activated, the related bit will be read with a "1" value and, if de-activated, with a "0" value.

The permanent bits can only be toggled by using standard EPC WRITE (not a BlockWrite) if the EPC bank is unlocked or within the SECURED state if the EPC is locked. If the EPC is perma locked, they cannot be changed.

Action bits will trigger a certain action only if the pointer of the SELECT command exactly matches the action-bit address (i.e. 202h or 204h), if the length=1 and if mask=1b

(no multiple trigger of actions possible within one single SELECT command).

After issuing a SELECT to any action bits an interrogator shall transmit CW for RTCal [1] + 80  $\mu$ s before sending the next command.

If the truncate bit in the SELECT command is set to "1" the SELECT will be ignored.

A SELECT on action bits will not change the digital state of the chip.

The action bits can be triggered regardless if the EPC memory is unlocked, locked or permalocked.

### 10.6.2 Backscatter strength reduction

The UCODE 7 features two levels of backscatter strengths. Per default maximum backscatter is enabled in order to enable maximum read rates. When clearing the flag the strength can be reduced if needed.

### 10.6.3 Pre-serialization of the 96-bit EPC

#### Description

The 96-bit EPC, which is the initial EPC length settings of UCODE7, will be delivered pre-serialized with the 48-bit serial number from the TID.

#### Use cases and benefits

With a pre-serialized EPC, the encoding process of the tags with UCODE 7 gets simpler and faster as it only needs to encode the SKU (58-bit header of the EPC).

### 10.6.4 Parallel encoding

#### Description

This feature of the UCODE 7 can be activated by the "Parallel encoding bit" in the Configuration-Word located at (202h).

Upon issuing a EPC SELECT command on the "Parallel encoding bit", in a population of UCODE 7 tags, a subsequent QUERY brings all tags go the OPEN state with a specific handle ("AAAAh").

Once in the OPEN state, for example a WRITE command will apply to all tags in the OPEN state (see [Figure 9](#)). This parallel encoding is considerably lowering the encoding time compared to a standard implementation (see [Figure 8](#)).

The amount of tags that can be encoded at the same time will depend on the strength of the reader signal. Since all tags will backscatter their ACKNOWLEDGE (ACK) response at the same time, the reader will observe collision in the signal from the tags.

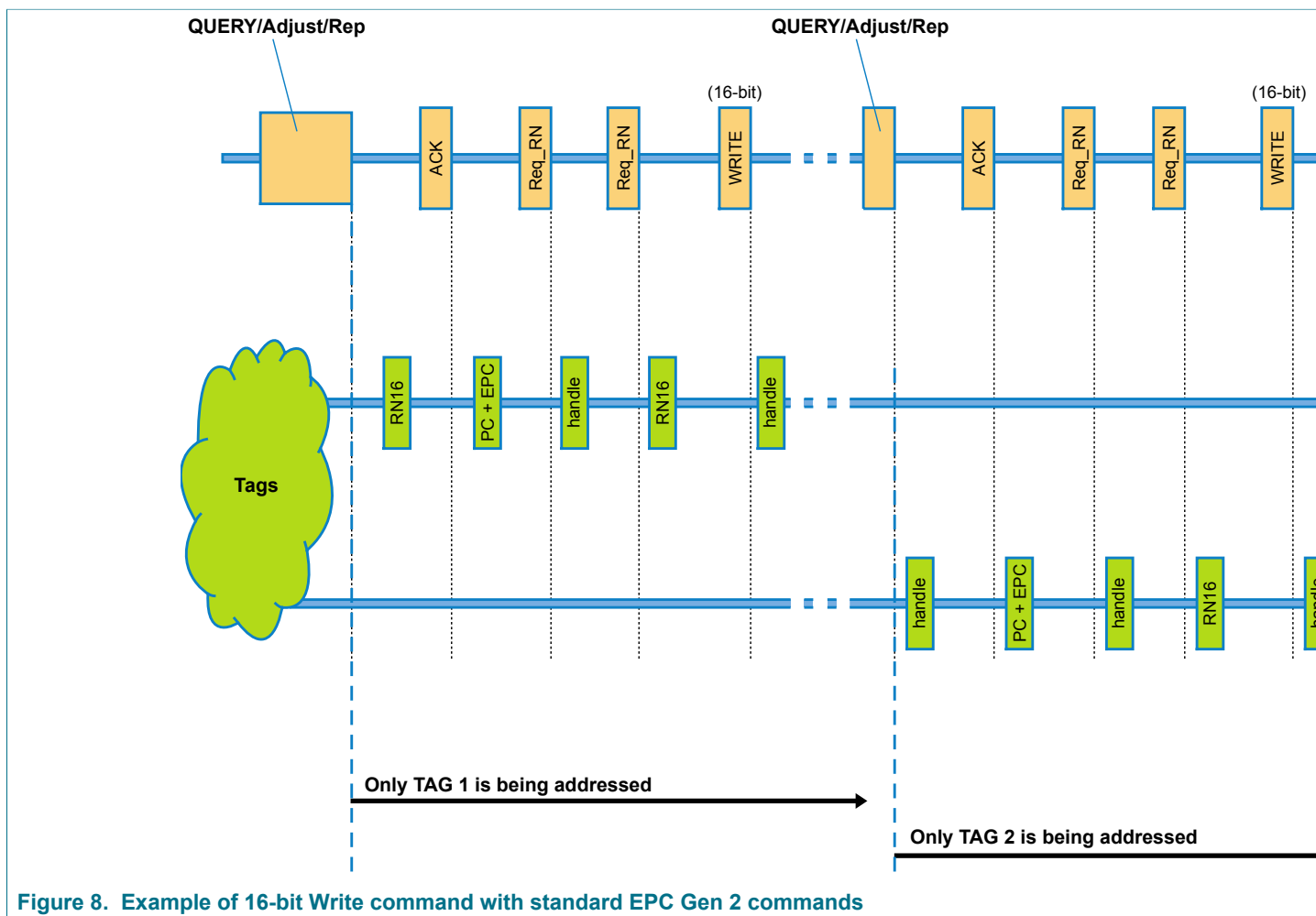


Figure 8. Example of 16-bit Write command with standard EPC Gen 2 commands

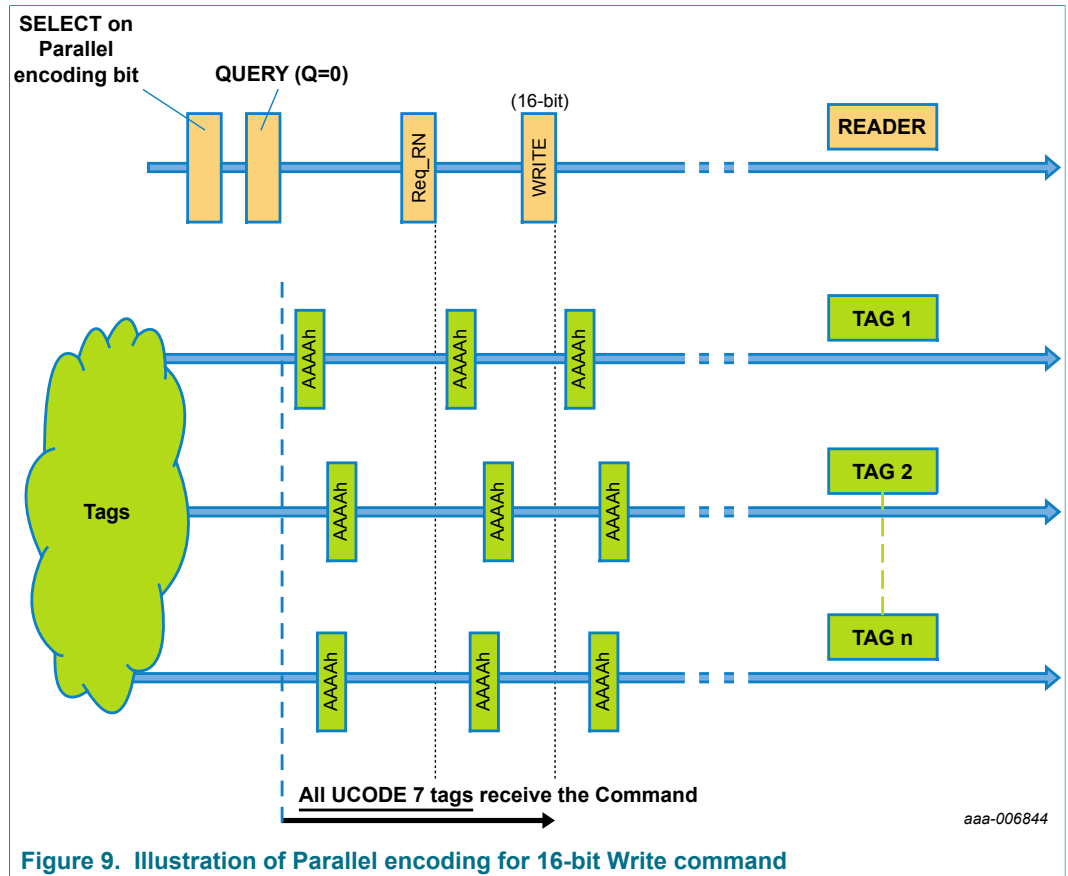


Figure 9. Illustration of Parallel encoding for 16-bit Write command

**Use cases and benefits**

Parallel encoding feature of UCODE 7 can enable ultra fast bulk encoding.

Taking in addition advantage of the pre-serialization scheme of UCODE 7, the same SKU can be encoded in multiple tags as the EPC will be delivered pre-serialized already.

In the case of only one tag answering (like in printer encoding), this feature could be used to save some overhead in commands to do direct EPC encoding after the handle reply.

Since this is a UCODE 7 specific feature the use of this features requires support on the reader side.

**10.6.5 Tag Power Indicator**

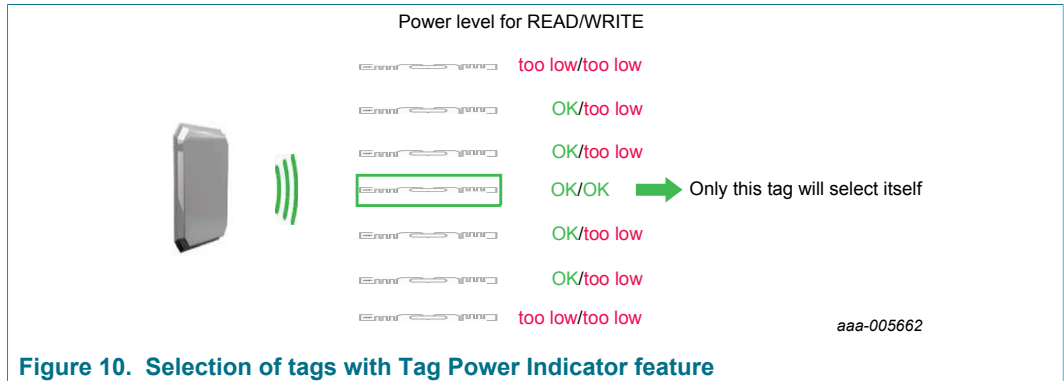
**Description**

Upon a SELECT command on the "Tag Power Indicator", located in the config word 204h, an internal power check on the chip is performed to see if the power level is sufficient to perform a WRITE command. The decision level is defined as nominal WRITE sensitivity minus 1dB. In the case there is enough power, the SELECT command is matching and non-matching if not enough power. The tag can then be singulated by the standard inventory procedure.



**Use cases and benefits**

This feature gives the possibility to select only the tag(s) that receive enough power to be written during e.g. printer encoding in a dense environment of tags even though the reader may read more than one tag (see [Figure 10](#) for illustration). The power level still needs to be adjusted to transmit enough writing power to one tag only to do one tag singulation.



**Figure 10. Selection of tags with Tag Power Indicator feature**

**10.6.6 Product Status Flag (PSF)**

**Description**

The PSF is a general purpose bit located in the Configuration word at address 20Fh with a value that can be freely changed.

**Use cases and benefits**

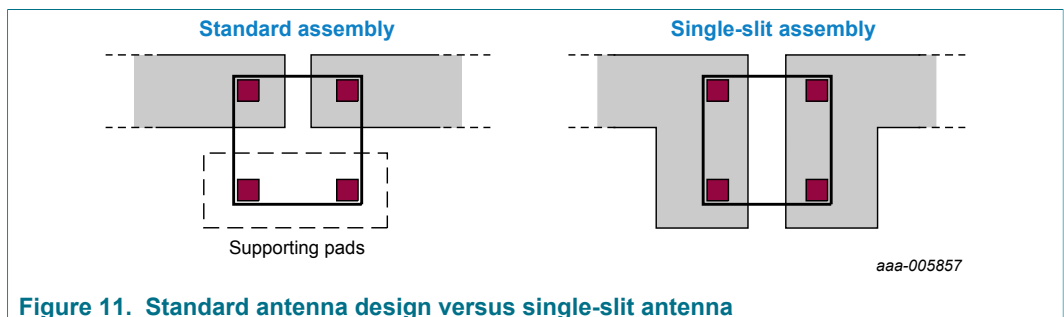
The PSF bit can be used as an EAS (Electronic Article Surveillance) flag, quality checked flag or similar.

In order to detect the tag with the PSF activated, a EPC SELECT command selecting the PSF flag of the Configuration word can be used. In the following inventory round only PSF enabled chips will reply their EPC number.

**10.6.7 Single-slit antenna solution**

**Description**

In UCODE 7 the test pads TP1 and TP2 are electrically disconnected meaning they are not electrically active and can be safely short-circuited to the RF pads RF1 and RF2 (see [Figure 11](#)).



**Figure 11. Standard antenna design versus single-slit antenna**

### Uses cases and benefits

Using single-slit antenna enables easier assembly and antenna design. Inlay manufacturer will only have to take care about one slit of the antenna instead of two in case all pads need to be disconnected from each other.

Additionally single-slit antenna assembly and the related increased input capacitance (see [Table 13](#)) can be used advantageously over the standard antenna design as additional room for optimization to different antenna design.

## 11 Limiting values

**Table 12. Limiting values<sup>[1][2]</sup>**

*In accordance with the Absolute Maximum Rating System (IEC 60134).*

*Voltages are referenced to RFN*

Symbol	Parameter	Conditions	Min	Max	Unit
<b>Bare die limitations</b>					
T <sub>stg</sub>	storage temperature		-55	+125	°C
T <sub>amb</sub>	ambient temperature		-40	+85	°C
V <sub>ESD</sub>	electrostatic discharge voltage	Human body model <sup>[3][4]</sup>	-	± 2	kV
<b>Pad limitations</b>					
P <sub>i</sub>	input power	maximum power dissipation, RFP pad	-	100	mW

- [1] Stresses above those listed under Absolute Maximum Ratings may cause permanent damage to the device. This is a stress rating only and functional operation of the device at these or any conditions other than those described in the Operating Conditions and Electrical Characteristics section of this specification is not implied.
- [2] This product includes circuitry specifically designed for the protection of its internal devices from the damaging effects of excessive static charge. Nonetheless, it is suggested that conventional precautions be taken to avoid applying greater than the rated maxima.
- [3] ANSI/ESDA/JEDEC JS-001
- [4] For ESD measurement, the die chip has been mounted into a CDIP20 package.

### CAUTION



This device is sensitive to ElectroStatic Discharge (ESD). Observe precautions for handling electrostatic sensitive devices. Such precautions are described in the *ANSI/ESD S20.20, IEC/ST 61340-5, JESD625-A* or equivalent standards.

## 12 Characteristics

### 12.1 UCODE 7 bare die characteristics

Table 13. UCODE 7 RF interface characteristics (RF1, RF2)

Symbol	Parameter	Conditions		Min	Typ	Max	Unit
$f_i$	input frequency			840	-	960	MHz
						-	
$P_{i(min)}$	minimum input power	READ sensitivity	[1][2][3]	-	-21	-	dBm
$P_{i(min)}$	minimum input power	WRITE sensitivity	[4]	-	-16	-	dBm
$t_{16bit}$	Encoding speed	16-bit	[5]	-	1	-	ms
		32-bit (block write)	[5]	-	1.8	-	ms
$C_i$	Chip input capacitance	parallel	[2][6]	-	0.63	-	pF
$Z$	Chip impedance	866 MHz	[2][6]	-	14.5-j293	-	$\Omega$
		915 MHz	[2][6]	-	12.5-j277	-	$\Omega$
		953 MHz	[2][6]	-	12.5-j267	-	$\Omega$
$Z$	Typical assembled impedance [7]	915MHz	[8]	-	18-j245	-	$\Omega$
$Z$	Typical assembled impedance [7] in case of single-slit antenna assembly	915MHz	[8][9]	-	13.5-j195	-	$\Omega$
$C_i$	Chip input capacitance, Large Pads	parallel	[2][6]	-	0.68	-	pF
$Z$	Chip impedance, Large Pads	866 MHz	[2][6]	-	12.6-j267	-	$\Omega$
		915 MHz	[2][6]	-	11.8-j254	-	$\Omega$
		953 MHz	[2][6]	-	11.5-j244	-	$\Omega$
<b>Tag Power Indicator mode</b>							
$P_{i(min)}$	minimum input power level to be able to select the tag		[4]	-	-15	-	dBm

[1] Power to process a QUERY command

[2] Measured with a 50  $\Omega$  source impedance directly on the chip

[3] Results in approximately -21,5dBm tag sensitivity with a 2dBi gain antenna

[4] Tag sensitivity on a 2dBi gain antenna

[5] When the memory content is "0000...".

[6] At minimum operating power

[7] Assuming a 80fF additional input capacitance, 250fF in case of single slit antenna

[8] The antenna shall be matched to this impedance

[9] Depending on the specific assembly process, sensitivity losses of few tenths of dB might occur

Table 14. UCODE 7 memory characteristics

Symbol	Parameter	Conditions		Min	Typ	Max	Unit
<b>EEPROM characteristics</b>							
$t_{ret}$	retention time	$T_{amb} \leq 55\text{ }^\circ\text{C}$		20	-	-	year
$N_{endu(W)}$	write endurance			100k	-	-	cycle

## 12.2 UCODE 7 SOT886 characteristics

Table 15. UCODE 7 RF interface characteristics (RF1, RF1)

Symbol	Parameter	Conditions		Min	Typ	Max	Unit
$P_{i(\min)}$	minimum input power	READ sensitivity	[1][2]	-	-21	-	dBm
Z	impedance	915 MHz	[3]	-	12.8 -j248	-	$\Omega$

[1] Power to process a Query command.

[2] Measured with a 50  $\Omega$  source impedance.

[3] At minimum operating power.

13 Package outline

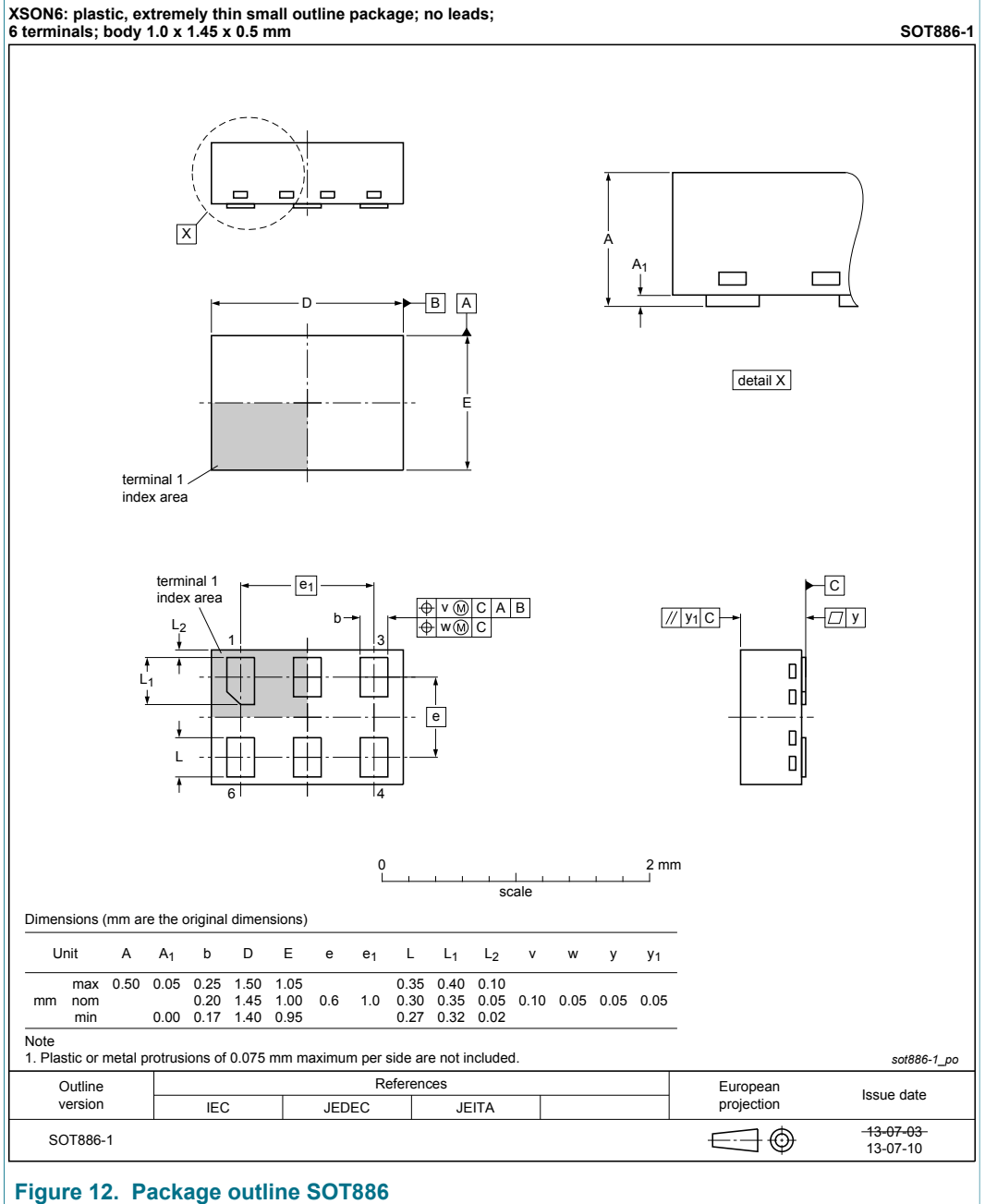


Figure 12. Package outline SOT886

---

## 14 Packing information

---

### 14.1 Wafer

See [2]

See [4]

### 14.2 SOT886

See: [www.nxp.com/packages/SOT886.html](http://www.nxp.com/packages/SOT886.html)

## 15 Abbreviations

**Table 16. Abbreviations**

Acronym	Description
CRC	Cyclic Redundancy Check
CW	Continuous Wave
DSB-ASK	Double Side Band-Amplitude Shift Keying
DC	Direct Current
EAS	Electronic Article Surveillance
EEPROM	Electrically Erasable Programmable Read Only Memory
EPC	Electronic Product Code (containing Header, Domain Manager, Object Class and Serial Number)
FM0	Bi phase space modulation
G2	Generation 2
IC	Integrated Circuit
PIE	Pulse Interval Encoding
PSF	Product Status Flag
RF	Radio Frequency
UHF	Ultra High Frequency
SECS	Semi Equipment Communication Standard
TID	Tag IDentifier



## 16 References

---

- [1] EPCglobal: EPC Radio-Frequency Identity Protocols Class-1 Generation-2 UHF RFID Protocol for Communications at 860 MHz – 960 MHz, Version 1.1.0 (December 17, 2005)
- [2] Data sheet - Delivery type description – General specification for 8" wafer on UV-tape with electronic fail die marking, BU-S&C document number: 1093\*\*<sup>1</sup>
- [3] Application note - AN11274 – FAQ on UCODE 7
- [4] Data sheet - Delivery type description – General specification for 12" wafer on UV-tape with electronic fail die marking, BU-S&C document number: 1862\*\*

---

1 \*\* ... document version number

## 17 Revision history

Table 17. Revision history

Document ID	Release date	Data sheet status	Change notice	Supersedes
SL3S1204 v. 4.0	20190305	Product data sheet	-	SL3S1204 v. 3.9
Modifications:	<ul style="list-style-type: none"> <li>• <a href="#">Section 16</a> updated</li> </ul>			
SL3S1204 v. 3.9	20170321	Product data sheet	-	SL3S1204 v. 3.8
Modifications:	<ul style="list-style-type: none"> <li>• Introduction of Large Pads</li> <li>• <a href="#">Table 1</a> :updated</li> <li>• <a href="#">Section 8.2</a>: added</li> <li>• <a href="#">Section 9.1.2</a>: added</li> <li>• <a href="#">Table 13</a>: updated</li> </ul>			
SL3S1204 v. 3.8	20161011	Product data sheet	-	SL3S1204 v. 3.7
Modifications:	<ul style="list-style-type: none"> <li>• <a href="#">Figure 7</a>: updated</li> <li>• <a href="#">Figure 12</a>: updated</li> <li>• Editorial changes</li> </ul>			
SL3S1204 v. 3.7	20160718	Product data sheet	-	SL3S1204 v. 3.6
Modifications:	<ul style="list-style-type: none"> <li>• Update Automatic Pre-serialization functionality</li> <li>• <a href="#">Figure 7</a> - change of TID</li> </ul>			
SL3S1204 v. 3.6	20160524	Product data sheet	-	SL3S1204 v. 3.5
Modifications:	<ul style="list-style-type: none"> <li>• Introduction of 12 inch wafer delivery</li> <li>• <a href="#">Section 8.3</a>: added</li> <li>• <a href="#">Section 9.1.3</a>: added</li> <li>• <a href="#">Section 14.2</a>: added</li> <li>• <a href="#">Table 15</a>: impedance value added</li> </ul>			
SL3S1204 v. 3.5	20150706	Product data sheet	-	SL3S1204 v. 3.4
Modifications:	<ul style="list-style-type: none"> <li>• SOT886 package added</li> </ul>			
SL3S1204 v. 3.4	20141017	Product data sheet	-	SL3S1204 v. 3.3
Modifications:	<ul style="list-style-type: none"> <li>• <a href="#">Table 9</a>: corrected</li> <li>• Editorial changes</li> </ul>			
SL3S1204 v. 3.3	20131217	Product data sheet	-	SL3S1204 v. 3.2
Modifications:	<ul style="list-style-type: none"> <li>• Figure 7: Automatic self pre-serialization scheme for 96-bit EPC: corrected</li> </ul>			
SL3S1204 v. 3.2	20131120	Product data sheet	-	SL3S1204 v. 3.1
Modifications:	<ul style="list-style-type: none"> <li>• Security level changed from "COMPANY PROPRIETARY" to "COMPANY PUBLIC"</li> </ul>			
SL3S1204 v. 3.1	20130603	Product data sheet	-	241330
Modifications:	<ul style="list-style-type: none"> <li>• Security level changed from "COMPANY CONFIDENTIAL" to "COMPANY PROPRIETARY"</li> </ul>			
241330	20130522	Product data sheet	-	241312
Modifications	<ul style="list-style-type: none"> <li>• Editorial changes</li> <li>• <a href="#">Figure 4</a>: updated</li> <li>• <a href="#">Table 9</a>: updated</li> <li>• <a href="#">Table 10</a>: updated</li> <li>• <a href="#">Table 13</a>: updated</li> </ul>			
241312	20130422	Objective data sheet		241311

Document ID	Release date	Data sheet status	Change notice	Supersedes
Modifications	<ul style="list-style-type: none"><li>• Editorial changes</li><li>• <a href="#">Figure 7</a>: updated</li><li>• Figure 7: Automatic self pre-serialization scheme for 96-bit EPC: updated</li><li>• <a href="#">Figure 10</a>: updated</li><li>• <a href="#">Figure 11</a>: updated</li></ul>			
241311	20130325	Objective data sheet		241310
Modifications	General Update			
241310	20130226	Objective data sheet	-	-

## 18 Legal information

### 18.1 Data sheet status

Document status <sup>[1][2]</sup>	Product status <sup>[3]</sup>	Definition
Objective [short] data sheet	Development	This document contains data from the objective specification for product development.
Preliminary [short] data sheet	Qualification	This document contains data from the preliminary specification.
Product [short] data sheet	Production	This document contains the product specification.

[1] Please consult the most recently issued document before initiating or completing a design.

[2] The term 'short data sheet' is explained in section "Definitions".

[3] The product status of device(s) described in this document may have changed since this document was published and may differ in case of multiple devices. The latest product status information is available on the Internet at URL <http://www.nxp.com>.

### 18.2 Definitions

**Draft** — The document is a draft version only. The content is still under internal review and subject to formal approval, which may result in modifications or additions. NXP Semiconductors does not give any representations or warranties as to the accuracy or completeness of information included herein and shall have no liability for the consequences of use of such information.

**Short data sheet** — A short data sheet is an extract from a full data sheet with the same product type number(s) and title. A short data sheet is intended for quick reference only and should not be relied upon to contain detailed and full information. For detailed and full information see the relevant full data sheet, which is available on request via the local NXP Semiconductors sales office. In case of any inconsistency or conflict with the short data sheet, the full data sheet shall prevail.

**Product specification** — The information and data provided in a Product data sheet shall define the specification of the product as agreed between NXP Semiconductors and its customer, unless NXP Semiconductors and customer have explicitly agreed otherwise in writing. In no event however, shall an agreement be valid in which the NXP Semiconductors product is deemed to offer functions and qualities beyond those described in the Product data sheet.

### 18.3 Disclaimers

**Limited warranty and liability** — Information in this document is believed to be accurate and reliable. However, NXP Semiconductors does not give any representations or warranties, expressed or implied, as to the accuracy or completeness of such information and shall have no liability for the consequences of use of such information. NXP Semiconductors takes no responsibility for the content in this document if provided by an information source outside of NXP Semiconductors. In no event shall NXP Semiconductors be liable for any indirect, incidental, punitive, special or consequential damages (including - without limitation - lost profits, lost savings, business interruption, costs related to the removal or replacement of any products or rework charges) whether or not such damages are based on tort (including negligence), warranty, breach of contract or any other legal theory. Notwithstanding any damages that customer might incur for any reason whatsoever, NXP Semiconductors' aggregate and cumulative liability towards customer for the products described herein shall be limited in accordance with the Terms and conditions of commercial sale of NXP Semiconductors.

**Right to make changes** — NXP Semiconductors reserves the right to make changes to information published in this document, including without limitation specifications and product descriptions, at any time and without

notice. This document supersedes and replaces all information supplied prior to the publication hereof.

**Suitability for use** — NXP Semiconductors products are not designed, authorized or warranted to be suitable for use in life support, life-critical or safety-critical systems or equipment, nor in applications where failure or malfunction of an NXP Semiconductors product can reasonably be expected to result in personal injury, death or severe property or environmental damage. NXP Semiconductors and its suppliers accept no liability for inclusion and/or use of NXP Semiconductors products in such equipment or applications and therefore such inclusion and/or use is at the customer's own risk.

**Applications** — Applications that are described herein for any of these products are for illustrative purposes only. NXP Semiconductors makes no representation or warranty that such applications will be suitable for the specified use without further testing or modification. Customers are responsible for the design and operation of their applications and products using NXP Semiconductors products, and NXP Semiconductors accepts no liability for any assistance with applications or customer product design. It is customer's sole responsibility to determine whether the NXP Semiconductors product is suitable and fit for the customer's applications and products planned, as well as for the planned application and use of customer's third party customer(s). Customers should provide appropriate design and operating safeguards to minimize the risks associated with their applications and products. NXP Semiconductors does not accept any liability related to any default, damage, costs or problem which is based on any weakness or default in the customer's applications or products, or the application or use by customer's third party customer(s). Customer is responsible for doing all necessary testing for the customer's applications and products using NXP Semiconductors products in order to avoid a default of the applications and the products or of the application or use by customer's third party customer(s). NXP does not accept any liability in this respect.

**Limiting values** — Stress above one or more limiting values (as defined in the Absolute Maximum Ratings System of IEC 60134) will cause permanent damage to the device. Limiting values are stress ratings only and (proper) operation of the device at these or any other conditions above those given in the Recommended operating conditions section (if present) or the Characteristics sections of this document is not warranted. Constant or repeated exposure to limiting values will permanently and irreversibly affect the quality and reliability of the device.

**Terms and conditions of commercial sale** — NXP Semiconductors products are sold subject to the general terms and conditions of commercial sale, as published at <http://www.nxp.com/profile/terms>, unless otherwise agreed in a valid written individual agreement. In case an individual agreement is concluded only the terms and conditions of the respective agreement shall apply. NXP Semiconductors hereby expressly objects to applying the customer's general terms and conditions with regard to the purchase of NXP Semiconductors products by customer.

**No offer to sell or license** — Nothing in this document may be interpreted or construed as an offer to sell products that is open for acceptance or the grant, conveyance or implication of any license under any copyrights, patents or other industrial or intellectual property rights.

**Quick reference data** — The Quick reference data is an extract of the product data given in the Limiting values and Characteristics sections of this document, and as such is not complete, exhaustive or legally binding.

**Export control** — This document as well as the item(s) described herein may be subject to export control regulations. Export might require a prior authorization from competent authorities.

**Non-automotive qualified products** — Unless this data sheet expressly states that this specific NXP Semiconductors product is automotive qualified, the product is not suitable for automotive use. It is neither qualified nor tested in accordance with automotive testing or application requirements. NXP Semiconductors accepts no liability for inclusion and/or use of non-automotive qualified products in automotive equipment or applications. In the event that customer uses the product for design-in and use in automotive applications to automotive specifications and standards, customer (a) shall

use the product without NXP Semiconductors' warranty of the product for such automotive applications, use and specifications, and (b) whenever customer uses the product for automotive applications beyond NXP Semiconductors' specifications such use shall be solely at customer's own risk, and (c) customer fully indemnifies NXP Semiconductors for any liability, damages or failed product claims resulting from customer design and use of the product for automotive applications beyond NXP Semiconductors' standard warranty and NXP Semiconductors' product specifications.

**Translations** — A non-English (translated) version of a document is for reference only. The English version shall prevail in case of any discrepancy between the translated and English versions.

## 18.4 Trademarks

Notice: All referenced brands, product names, service names and trademarks are the property of their respective owners.

**UCODE** — is a trademark of NXP B.V.

## Tables

Tab. 1.	Ordering information .....	5	Tab. 11.	Configuration word UCODE 7 ... continued .....	21
Tab. 2.	Marking codes .....	6	Tab. 12.	Limiting values .....	27
Tab. 3.	Pin description bare die .....	8	Tab. 13.	UCODE 7 RF interface characteristics (RF1, RF2) .....	28
Tab. 4.	Pin description SOT886 .....	8	Tab. 14.	UCODE 7 memory characteristics .....	28
Tab. 5.	Specifications .....	12	Tab. 15.	UCODE 7 RF interface characteristics (RF1, RF1) .....	29
Tab. 6.	Specifications .....	13	Tab. 16.	Abbreviations .....	32
Tab. 7.	Specifications .....	14	Tab. 17.	Revision history .....	34
Tab. 8.	UCODE 7 memory sections .....	18			
Tab. 9.	UCODE 7 overall memory map .....	18			
Tab. 10.	Configuration word UCODE 7 .....	21			

Figures

Fig. 1.	Block diagram of UCODE 7 IC .....	7	Fig. 8.	Example of 16-bit Write command with standard EPC Gen 2 commands .....	23
Fig. 2.	Pinning bare die .....	8	Fig. 9.	Illustration of Parallel encoding for 16-bit Write command .....	24
Fig. 3.	Pin configuration for SOT886 .....	8	Fig. 10.	Selection of tags with Tag Power Indicator feature .....	25
Fig. 4.	UCODE 7 8 inch wafer layout .....	9	Fig. 11.	Standard antenna design versus single-slit antenna .....	25
Fig. 5.	UCODE 7 8 inch wafer layout with large pads .....	10	Fig. 12.	Package outline SOT886 .....	30
Fig. 6.	UCODE 7 12 inch wafer layout .....	11			
Fig. 7.	UCODE 7 TID memory structure .....	20			

Contents

<b>1</b>	<b>General description</b>	<b>1</b>	14.2	SOT886	31
<b>2</b>	<b>Features and benefits</b>	<b>2</b>	<b>15</b>	<b>Abbreviations</b>	<b>32</b>
2.1	Key features	2	<b>16</b>	<b>References</b>	<b>33</b>
2.1.1	Memory	2	<b>17</b>	<b>Revision history</b>	<b>34</b>
2.2	Key benefits	2	<b>18</b>	<b>Legal information</b>	<b>36</b>
2.2.1	End user benefit	2			
2.2.2	Antenna design benefits	2			
2.2.3	Label manufacturer benefit	3			
2.3	Supported features	3			
<b>3</b>	<b>Applications</b>	<b>4</b>			
3.1	Markets	4			
3.2	Applications	4			
<b>4</b>	<b>Ordering information</b>	<b>5</b>			
<b>5</b>	<b>Marking</b>	<b>6</b>			
<b>6</b>	<b>Block diagram</b>	<b>7</b>			
<b>7</b>	<b>Pinning information</b>	<b>8</b>			
7.1	Pin description	8			
<b>8</b>	<b>Wafer layout</b>	<b>9</b>			
8.1	Wafer layout 8 inch	9			
8.2	Wafer layout 8 inch with large pads	10			
8.3	Wafer layout 12 inch	11			
<b>9</b>	<b>Mechanical specification</b>	<b>12</b>			
9.1	Wafer specification	12			
9.1.1	8 inch Wafer, Standard bumps	12			
9.1.2	8 inch Wafer, Large pads	13			
9.1.3	12 inch Wafer	14			
9.1.4	Fail die identification	15			
9.1.5	Map file distribution	16			
<b>10</b>	<b>Functional description</b>	<b>17</b>			
10.1	Air interface standards	17			
10.2	Power transfer	17			
10.3	Data transfer	17			
10.3.1	Interrogator to tag Link	17			
10.3.2	Tag to interrogator Link	17			
10.4	Supported commands	17			
10.5	UCODE 7 memory	18			
10.5.1	UCODE 7 overall memory map	18			
10.5.2	UCODE 7 TID memory details	20			
10.6	Supported features	21			
10.6.1	UCODE 7 features control mechanism	21			
10.6.2	Backscatter strength reduction	22			
10.6.3	Pre-serialization of the 96-bit EPC	22			
10.6.4	Parallel encoding	22			
10.6.5	Tag Power Indicator	24			
10.6.6	Product Status Flag (PSF)	25			
10.6.7	Single-slit antenna solution	25			
<b>11</b>	<b>Limiting values</b>	<b>27</b>			
<b>12</b>	<b>Characteristics</b>	<b>28</b>			
12.1	UCODE 7 bare die characteristics	28			
12.2	UCODE 7 SOT886 characteristics	29			
<b>13</b>	<b>Package outline</b>	<b>30</b>			
<b>14</b>	<b>Packing information</b>	<b>31</b>			
14.1	Wafer	31			

Please be aware that important notices concerning this document and the product(s) described herein, have been included in section 'Legal information'.

© NXP B.V. 2019.

All rights reserved.

For more information, please visit: <http://www.nxp.com>

For sales office addresses, please send an email to: [salesaddresses@nxp.com](mailto:salesaddresses@nxp.com)

Date of release: 5 March 2019

Document identifier: SL3S1204

Document number: 241340



## X-ON Electronics

Largest Supplier of Electrical and Electronic Components

*Click to view similar products for [NFC/RFID Tags & Transponders](#) category:*

*Click to view products by [NXP](#) manufacturer:*

Other Similar products are found below :

[PCF7941ATSM2AB120](#), [PNEV512B,699](#) [V680-D1KP54T](#) [V680S-A40 50M](#) [PN7120A0EV/C10801Y](#) [TRPGR30ATGA](#) [SPS1M003B](#)  
[SPS1M003A](#) [SPS1M002B](#) [SPS1M002A](#) [V680S-A40 10M](#) [V680-D1KP66T](#) [ATA5577M2330C-DBQ](#) [SL2S5302FTBX](#) [LXMSJZNCMD-217](#)  
[60208](#) [60170](#) [P5DF081X0/T1AD2060](#) [MF1S5030XDA8/V1J](#) [MF1S7030XDA4/V1J](#) [HT1MOA4S30/E/3J](#) [HT2MOA4S20/E/3/RJ](#)  
[MFRC52302HN1,157](#) [TRPGR30ATGB](#) [NRF51822-QFAA-R](#) [20926410601](#) [CLRC66303HNE](#) [ART915X1620TX16-IC](#)  
[ART915X2117225TX21-IC](#) [28448](#) [ART923X1015YZ10-IC](#) [ART868X130903TX13](#) [ART868X25275YZ25](#) [ART915X050503OP-IC](#)  
[ART915X100202TO-IC](#) [ART915X100503JA-IC](#) [ART915X130930TX13-IC](#) [ART915X250903AM-IC](#) [ART915X2509EP60-IC](#)  
[ART915X252503MA-IC](#) [ART915X25275YZ25](#) [ART915X25275YZ25-IC](#) [ART923X1015YZ10](#) [AS3932-BTST](#) [AS3933-BTST](#)  
[20926410802](#) [LXMSJZNCMF-198](#) [MIKROE-779](#) [13356-0571](#) [13356-1151](#)