

1 General description

The UHF EPCglobal Generation-2 standard allows the commercialized provision of mass adoption of UHF RFID technology for passive smart tags and labels. Main fields of applications are supply chain management and logistics for worldwide use with special consideration of European, US and Chinese frequencies to ensure that operating distances of several meters can be realized.

The NXP Semiconductors UCODE product family is compliant to this EPC Gen2 standard offering anti-collision and collision arbitration functionality. This allows a reader to simultaneously operate multiple labels/tags within its antenna field.

The UCODE-based label/ tag requires no external power supply for contactless operation. Its contactless interface generates the power supply via the antenna circuit by propagative energy transmission from the interrogator (reader), while the system clock is generated by an on-chip oscillator. Data transmitted from the interrogator to the label/tag is demodulated by the interface, and it also modulates the interrogator's electromagnetic field for data transmission from the label/tag to the interrogator.

A label/tag can be then operated without the need for line of sight or battery, as long as it is connected to a dedicated antenna for the targeted frequency range. When the label/tag is within the interrogator's operating range, the high-speed wireless interface allows data transmission in both directions.

With the UCODE I²C product, NXP Semiconductors introduces now the possibility to combine 2 independent UHF Interfaces (following EPC Gen2 standard) with an I²C interface. Its large memory can be then read or write via both interfaces.

This I²C functionality enables the standard EPC Gen2 functionalities to be linked to an electronic device microprocessor. By linking the rich functionalities of the EPC Gen2 standards to the Electronics world, the UCODE I²C product opens a whole new range of application.

The I²C interface needs to be supplied externally and supports standard and fast I²C modes. Its large memory is based on a field proven non-volatile memory technology commonly used in high-quality automotive applications.

2 Features and benefits

2.1 UHF interface

- Dual UHF antenna port
- -18 dBm READ sensitivity
- -11 dBm WRITE sensitivity
- -23 dBm READ and WRITE sensitivity with the chip powered



- Compliant to EPCglobal Radio-Frequency Identity Protocols Class-1 Generation-2 UHF RFID Protocol for communications at 860 MHz to 960 MHz version 1.2.0
- Wide RF interface temperature range: -40 °C up to +85 °C
- Memory read protection
- Interrupt output
- RF - I²C bridge function based on SRAM memory

2.2 I²C interface

- Supports Standard (100 kHz) and Fast (400 kHz) mode (see [Ref. 1](#))
- UCODE I²C can be used as standard I²C EEPROMs

2.3 Command set

- All mandatory EPC Gen2 v1.2.0 commands
- Optional commands: Access, Block Write (32 bit)
- Custom command: ChangeConfig

2.4 Memory

- 3328-bit user memory
- 160-bit EPC memory
- 96-bit tag identifier (TID) including 48-bit unique serial number
- 32-bit KILL password to permanently disable the tag
- 32-bit ACCESS password to allow a transition into the secured transmission state
- Encoding speed one word 5 ms
- Data retention: 20 years at 55 °C
- Write endurance: 100 kcycles at 85 °C

2.5 Package

- SOT-902-3; MO-255B footprint
- Outline 1.6 × 1.6 mm
- Thickness ≤ 0.5 mm

3 Applications

- Firmware downloads
- Return management
- Counterfeit protection and authentication
- Production information
- Theft protection and deterrence
- Production automation
- Device customization/product configuration
- Offline Diagnostics

There are known limitations for applications where both interfaces are powered. For details refer to [Ref. 6](#).

4 Ordering information

Table 1. Ordering information

Type number	Package		Version
	Name	Description	
SL3S4011FHK	XQFN8	Single differential RF Front End ^[1] . Plastic, extremely thin quad flat package; no leads; 8 terminals; body 1.6 × 1.6 × 0.5 mm	SOT902-3
SL3S4021FHK	XQFN8	Dual differential RF Front End - Plastic, extremely thin quad flat package; no leads; 8 terminals; body 1.6 × 1.6 × 0.5 mm	SOT902-3

[1] RFP1, RFN1

5 Marking

Table 2. Marking

Type Number	Marking code
SL3S4011FHK	1FE
SL3S4021FHK	2FE

6 Block diagram

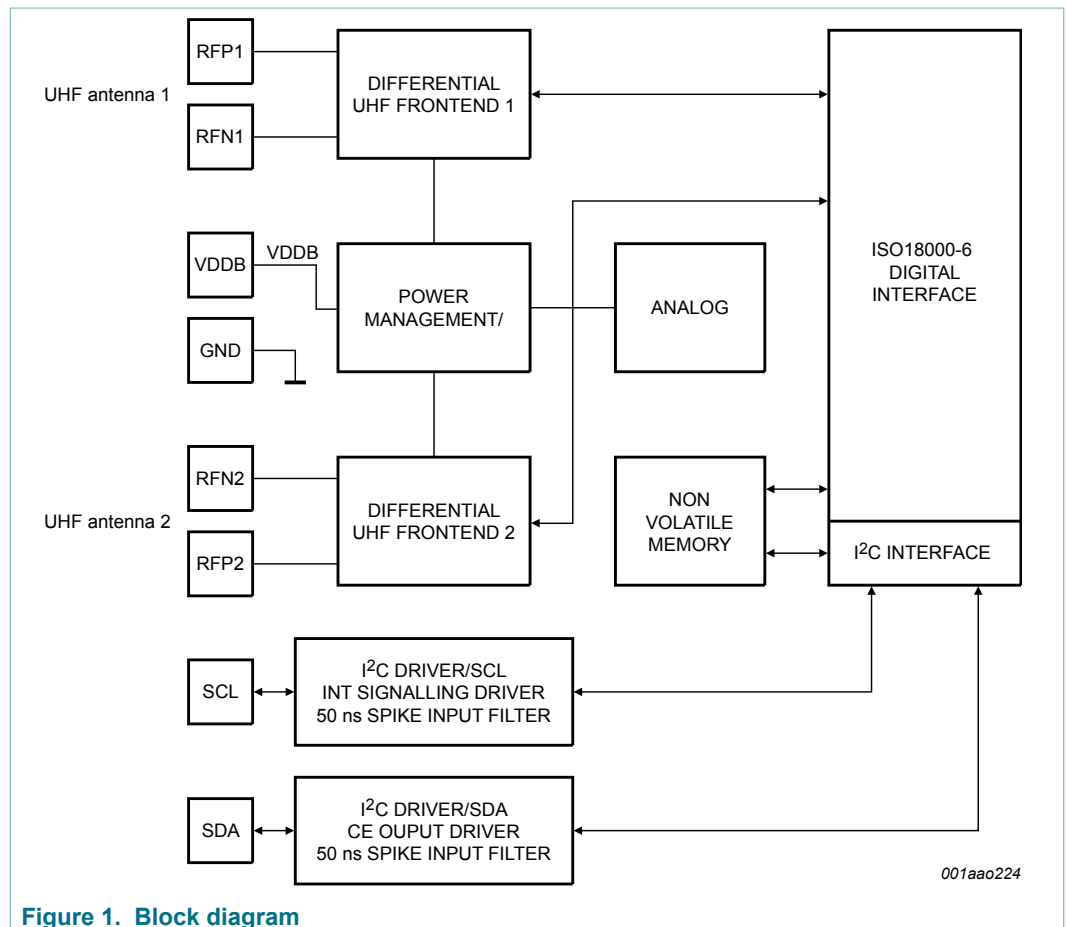
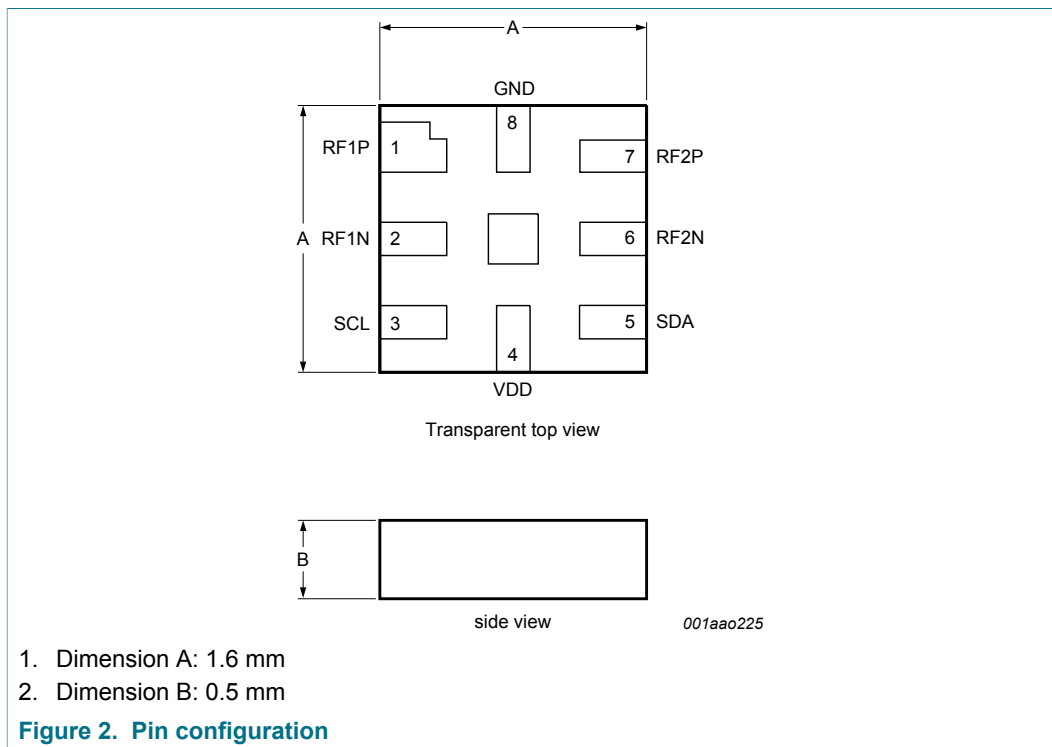


Figure 1. Block diagram

7 Pinning information

7.1 Pinning



7.2 Pin description

Table 3. Pin description

Pin	Symbol	Description
1	RF1P	active antenna 1 connector
2	RF1N	antenna 1
3	SCL	I ² C clock / _INT
4	VDD	supply
5	SDA	I ² C data
6	RF2N	antenna 2
7	RF2P	active antenna 2 connector
8	GND	ground

8 Mechanical specification

8.1 SOT902 specification

Table 4. Mechanical properties XQFN8

Package name	Outline code	Package size	Reel format
SOT902	SOT902-3	size: 1.6 mm × 1.6 mm	4000 pcs
		thickness: 0.5 mm	7" diameter
			Carrier tape width 8 mm
			Carrier pocket pitch 4 mm

9 Functional description

9.1 Air interface standards

The UCODE I²C fully supports all mandatory parts of the "Specification for RFID Air Interface EPCglobal, EPC Radio-Frequency Identity Protocols, Class-1 Generation-2 UHF RFID, Protocol for Communications at 860 MHz to 960 MHz, Version 1.2.0".

9.2 Power transfer

The interrogator provides an RF field that powers the tag, equipped with a UCODE I²C. The antenna transforms the impedance of free space to the chip input impedance in order to get the maximum possible power for the UCODE I²C on the tag.

The RF field, which is oscillating on the operating frequency provided by the interrogator, is rectified to provide a smoothed DC voltage to the analog and digital modules of the IC.

For I²C operation, the UCODE I²C has to be supplied externally via the VDD pin.

9.3 Data transfer air interface

9.3.1 Interrogator to tag Link

An interrogator transmits information to the UCODE I²C by modulating a UHF RF signal. The UCODE I²C receives both information and operating energy from this RF signal. Tags are passive, meaning that they receive all of their operating energy from the interrogator's RF waveform.

An interrogator is using a fixed modulation and data rate for the duration of at least one inventory round. The interrogator communicates to the UCODE I²C by modulating an RF carrier using DSB-ASK with PIE encoding.

9.3.2 Tag to reader Link

An interrogator receives information from a UCODE I²C by transmitting an unmodulated RF carrier and listening for a backscattered reply. The UCODE I²C backscatters by switching the reflection coefficient of its antenna between two states in accordance with the data being sent.

The UCODE I²C communicates information by backscatter-modulating the amplitude and/or phase of the RF carrier. Interrogators shall be capable of demodulating either demodulation type.

The encoding format, selected in response to interrogator commands, is either FM0 baseband or Miller-modulated subaltern.

9.4 Data transfer to I²C interface

The UCODE I²C memory can be read/written similar to a standard I²C serial EEPROM device. The address space is arranged in a linear manner. When performing a sequential read, the address pointer is increased linearly from start of the EPC memory to the end of the user memory.

At the end address of each bank, the address pointer jumps automatically to the first address in the subsequent bank. In I²C write modes only even address values are accepted, due to the word wise organization of the EEPROM.

Regarding arbitration between RF and I²C, see [Section 12 "RF interface/I²C interface arbitration"](#)).

Write operation:

- Write word
- Write block (2 words)

Read operation:

- current address read
- random address read
- sequential current read
- random sequential read

9.5 Supported commands

The UCODE I²C supports all mandatory EPCglobal V1.2.0 commands.

In addition, the UCODE I²C supports the following optional commands.

- Access
- BlockWrite (32 bit)

The UCODE I²C features the following custom commands described in more detail later:

- ChangeConfig

9.6 UCODE I²C memory

The UCODE I²C memory is implemented according to EPCglobal Gen2. It is organized in four sections all accessible via both RF and I²C operation except the reserved memory section which only accessible via RF:

Table 5. UCODE I²C memory sections

Name	Size	Bank
Reserved memory (32-bit ACCESS and 32-bit KILL password)	64 bit	00b
EPC (excluding 16 bit CRC-16 and 16-bit PC)	160 bit	01b

Name	Size	Bank
Download register	16 bit	01b
UCODE I ² C Configuration Word	16 bit	01b
TID (including unique 48-bit serial number)	96 bit	10b
User Memory	3328 bit	11b

The logical addresses of all memory banks begin at zero (00h).

In addition to the 4 memory banks, one configuration word to handle the UCODE I²C-specific features is available at EPC bank 01b address 200h. The configuration word is described in detail in section "UCODE I²C special features".

9.6.1 UCODE I²C overall memory map

Table 6. Memory map

Bank address	Memory address		Type	Content	Init value
	RF	I ² C			
Bank 00	00h to 1Fh	not accessible via I ² C	reserved	kill password	all 0
	20h to 3Fh	not accessible via I ² C	reserved	access password	all 0
Bank 01 EPC	00h to 0Fh	2000h	EPC	CRC-16: refer to Ref. 5	
	10h to 1Fh	2002h	EPC	PC	300
	20h to 2Fh	2004h	EPC	EPC bit [0 to 15]	[1]
	...		EPC	...	
	B0h to BFh	2016h	EPC	EPC bit [144 to 159]	
	1F0h to 1FFh	203Eh	EPC	download register	
	200h to 20Fh	2040h	EPC	Configuration word, see Section 10.2	
Bank 10 TID	00h to 0Fh	4000h	TID	TID header	n.a.
	10h to 1Fh	4002h	TID	TID header	n.a.
	20h to 2Fh	4004h	TID	XTID_header	000
	30h to 3Fh	4006h	TID	TID serial number	[2]
	40h to 4Fh	4008h	TID	TID serial number	n.a.
	50h to 5Fh	400Ah	TID	TID serial number	n.a.
Bank 11 User memory	000h to 00Fh	6000h	UM	user memory bit [0 to 15]	all 0
	010h to 01Fh	6002h	UM	user memory bit [16 to 31]	all 0
	...		UM		all 0
	CF0h to CFFh	619Eh	UM	user memory bit [3311 to 3327]	all 0

[1] SL3S4011 EPC: E200 680D 0000 0000 0000 0000 0000 0000 0000 0000
 SL3S4021 EPC: E200 688D 0000 0000 0000 0000 0000 0000 0000 0000

[2] see TID paragraph

9.6.2 UCODE I²C TID memory details

Table 7. UCODE I²C TID description

Type	First 32 bit of TID memory	Class ID	Mask designer ID	Model number	Config Word indicator	Sub version
UCODE SL3S4011	E200680D	E2h	006h	1	1	0000b
UCODE SL3S4021	E200688D	E2h	006h	1	1	0001b

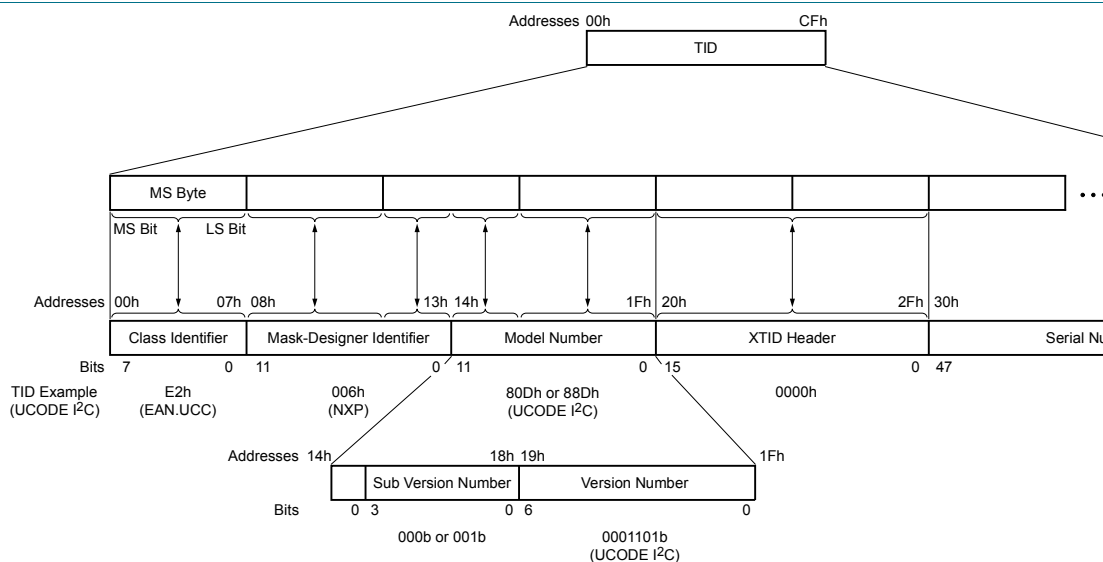


Figure 3. UCODE I²C TID memory structure

10 Supported features

The UCODE I²C is equipped with a number of additional features and a custom command. Nevertheless, the chip is designed in a way that standard EPCglobal READ / WRITE / ACCESS commands can be used to operate the features.

The memory map in the previous section describes the Configuration Word used to control the additional features located after address 200h of the EPC memory, hence UCODE I²C features are controlled by bits located in the EPC number space. For this reason, the standard READ / WRITE commands of a UHF EPCglobal compliant reader can be used to select the flags or activate/deactivate features if the memory bank is not locked. In case of locked memory banks the ChangeConfig custom command has to be used.

The bits (flags) of the ConfigurationWord are selectable using the standard EPC SELECT command.

10.1 UCODE I²C special feature

- **Externally Supplied flag**
The flag will indicate the availability of an external supply.
- **RF active flag**
The flag will indicate on which RF port power is available and signal transmission ongoing.
- **RF Interface on/off switching**
For privacy reasons, the two RF ports as well as the I²C interface can be switched on/off by toggling the related bits of the ConfigurationWord. The ConfigurationWord is accessible via RF and I²C interface. Although it is possible to kill the RF interface via the KILL feature of EPC Gen2, a minimum of one port shall be active at all times. In the case of the dual port version, either one or both RF can be active. In the case of the single front-end version, the RF port cannot be deactivated.
- **I²C Interface on/off switching**
For privacy reasons, the I²C port can be disabled by toggling the related bit of the ConfigWord but only via RF.
- **RF - I²C Bridge feature**
The UCODE I²C can be used as an RF- I²C bridge to directly forward data from the RF interface to the I²C interface and vice versa. The UCODE I²C is equipped with a download/upload register of 16-bit data buffer located in the EPC bank. The data received via RF can be read via I²C like regular memory content. In case the buffer is empty reading the register returns NAK. This feature should be combined with the Download Indicator or the interrupt signaling. The content of the buffer is only valid if the download indicator is set and an interrupt was triggered (when interrupt signaling is enabled in the ConfigWord).
 - **Upload Indicator flag (I²C to UHF)** - address 203h in the configuration word
The flag will indicate if data in the download/upload register is available. Will be automatically cleared when the download/upload register is read out via UHF.
 - **Download Indicator flag (UHF to I²C)** - address 200h in the configuration word
The flag will indicate if data in the download/upload register is available. Will be automatically cleared when the download/upload register is read out via I²C.
- **Interrupt signaling/Download Indicator**
The UCODE I²C features two methods of signaling:

1. Signaling via ConfigWord "Download/Upload Indicator" (200h or 203h):
 - The Download/Upload Indicator will go high as soon new data from the RF reader or from the I²C interface is written to the buffer register. This flag can be polled via I²C READ or using the SELECT command. Reading an empty buffer register will return NAK.
 - The Download/Upload Indicator will automatically return to low as soon as the data is read.
2. Interrupt Signaling via the I²C-SCL line:
 - If the SCL INT enabler of the ConfigWord is set (20Bh) the SCL line will be pulled low for at least 210 μs in case new data was written by the reader or at least 85 μs in case new data has been read by the reader (see [Figure 4 "SCL interrupt signalling"](#) and [Table 8 "Interrupt signaling via the I2C-SCL line timing"](#)).

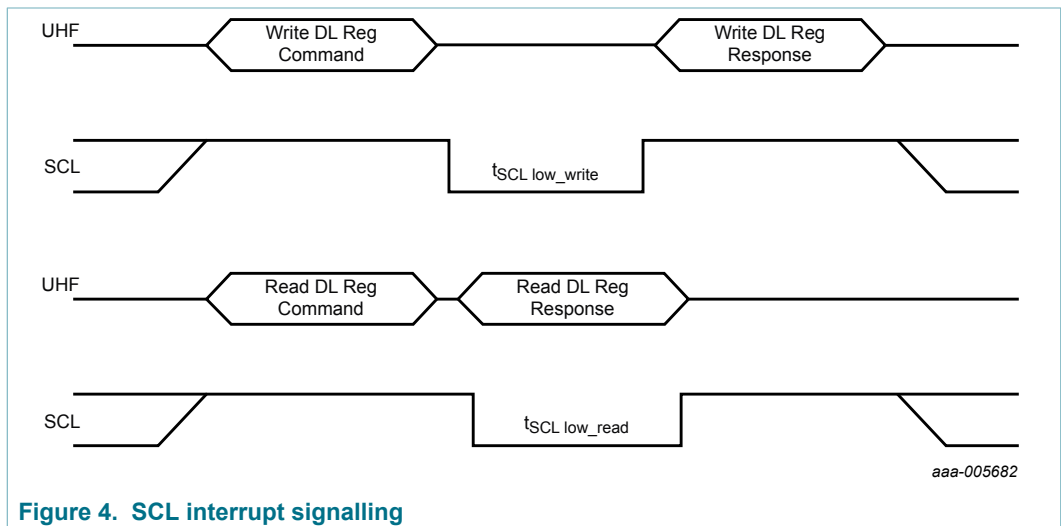


Figure 4. SCL interrupt signalling

Table 8. Interrupt signaling via the I2C-SCL line timing

Symbol	Min	Typ	Max	Unit
t _{SCL_low_write}	210	266	320	μs
t _{SCL_low_read} ^[1]	85	102 ^[2]	7800	μs

[1] This timing parameter is dependent on the chosen return link frequency.

[2] At 640 kHz return link frequency.

Remark: The features can even be operated (enabled/disabled) with '0' as ACCESS password. It is recommended to set an ACCESS password to avoid unauthorized manipulation of the features via the RF interface.

10.2 UCODE I²C special features control mechanism

Special features of the UCODE I²C are managed using a Configuration Word (ConfigWord) located at the end of the EPC memory bank (address 200h via RF or 2040h via I²C) - see [Table 9](#) and [Table 10](#).

The bits of the ConfigWord are selectable (using the standard EPC SELECT command) and can be read, via RF, using standard EPC READ command and via I²C. They can

be modified using the ChangeConfig custom command or standard READ/WRITE commands or via the I²C interface (if allowed).

The permanent bits in [Table 9](#) and [Table 10](#) are toggle bits.

Table 9. Configuration Word accessible located at bit address 200h via UHF (word address 20h/32d) of the EPC bank and I²C address 2040h (1 RF front-end version SL3S4011)

Feature	Bit type	via RF		via I ² C	
		bit address	Access	Address	Access
Download indicator	indicator ^[1]	200h	read	2040h	read
Externally supplied flag	indicator	201h	read		read
RF active flag	indicator	202h	read		read
Upload indicator	Indicator	203h	read		read
I ² C address bit 3 ^[2]	permanent ^[3]	204h	r/w		read only
I ² C address bit 2 ^[2]	permanent	205h	r/w		read only
I ² C address bit 1 ^[2]	permanent	206h	r/w		read only
I ² C port on/off	permanent	207h	r/w		read only
UHF antenna port1 on	locked	208h	read only		read only
rfu		209h			
rfu		20Ah			
SCL INT enable	permanent	20Bh	r/w		read only
bit for read protect user memory	permanent	20Ch	r/w		r/w
bit for read protect EPC	permanent	20Dh	r/w		r/w
bit for read protect TID SNR (48 bits)	permanent	20Eh	r/w		r/w
PSF alarm flag	permanent	20Fh	r/w		read only

[1] Indicator bits are reset at power-up but cannot be changed by command

[2] Defaults values for bit3/bit2/bit1 are 0/0/1 (see [Table 15](#))

[3] Permanent bits are permanently stored bits in the memory

Table 10. Configuration Word accessible located at bit address 200h via UHF (word address 20h/32d) of the EPC bank and I²C address 2040h (2 RF front-end version SL3S4021)

Feature	Bit type	via RF		via I ² C	
		bit address	Access	Address	Access
Download indicator	indicator ^[1]	200h	read	2040h	read
Externally supplied flag	indicator	201h	read		read
RF active flag	indicator	202h	read		read
Upload indicator	indicator	203h	read		read
I ² C address bit 3 ^[2]	permanent ^[3]	204h	r/w		read only
I ² C address bit 2 ^[2]	permanent	205h	r/w		read only
I ² C address bit 1 ^[2]	permanent	206h	r/w		read only
I ² C port on/off	permanent	207h	r/w		read only

Feature	Bit type	via RF		via I ² C	
		bit address	Access	Address	Access
UHF antenna port1 on/off	permanent	208h	r/w		r/w
UHF antenna port2 on/off	permanent	209h	r/w		r/w
rfu		20Ah			
SCL INT enable	permanent	20Bh	r/w		read only
bit for read protect user memory	permanent	20Ch	r/w		r/w
bit for read protect EPC	permanent	20Dh	r/w		r/w
bit for read protect TID SNR (48 bits)	permanent	20Eh	r/w		r/w
PSF alarm flag	permanent	20Fh	r/w		read only

- [1] Indicator bits are reset at power-up but cannot be changed by command
- [2] Defaults values for bit3/bit2/bit1 are 0/0/1 (see [Table 15](#))
- [3] Permanent bits are permanently stored bits in the memory

10.3 Change Config Command

The UCODE I²C ChangeConfig custom command allows handling the special features described in the previous paragraph. As long the EPC bank is not write locked standard EPC READ/WRITE commands can be used to modify the flags.

Table 11. ChangeConfig custom command

	Command	RFU	Data	RN	CRC-16
No. of bits	16	8	16	16	16
Description	11100000 00000111	00000000	Toggle bits XOR RN16	handle	-

The bits to be toggled in the configuration register need to be set to '1'.

E.g., sending 0000 0000 0000 0000 1001 XOR RN16 will activate the EPC Read Protect and PSF bit. Sending the very same command a second time will disable the features.

The reply of the ChangeConfig will return the current register setting.

Table 12. ChangeConfig custom response table

Starting state	Condition	Response	Next state
ready	all	-	ready
arbitrate, reply, acknowledged	all	-	arbitrate
open	valid handle, Status word needs to change	Backscatter unchanged StatusWord immediately	open
	valid handle, Status word does not need to change	Backscatter StatusWord immediately	open
secured	valid handle, Status word needs to change	Backscatter modified StatusWord, when done	secured
	valid handle, Status word does not need to change	Backscatter StatusWord immediately	secured
	invalid handle	-	secured

Starting state	Condition	Response	Next state
killed	all	-	killed

The features can only be activated/deactivated in the open or secured state and with a non-zero ACCESS password. If the EPC memory bank is locked for writing, the ChangeConfig command is needed to modify the ConfigurationWord.

10.4 UCODE I²C memory bank locking mechanism

NXP Semiconductors

10.4.1 Possibilities

Table 13. Memory banks locking possibilities for UCODE I²C via RF and I²C

		I ² C interface		RF interface
Memory bank		Lock (entire bank)	PermaLock (entire bank)	Lock (entire bank) via Access Password
01	EPC	yes	yes	yes
11	User Memory	yes	yes	yes

10.4.2 Via RF

The UCODE I²C memory banks can be locked following EPC Gen2 mandatory command via RF (see table [Table 14](#)).

Table 14. Lock payload and usage

	Kill pwd		Access pwd		EPC memory		TID memory	
	19	18	17	16	15	14	13	12
Mask	skip/write	skip/write	skip/write	skip/write	skip/write	skip/write	skip/write	sk
	9	8	7	6	5	4	3	2
Action	pwd read/write	permalock	pwd read/write	permalock	pwd write	permalock	pwd write	pe

10.4.3 Via I2C

The EPC Gen2 locking bits for the memory banks are also accessible via the I²C interface for read and write operation and are located at the I²C address 803Ch. But it is not possible to read and write the access and kill password.

MSB										Data Byte 1						Data Byte 2						LSB					
Mask field																											
Kill PWD		Access PWD		EPC memory		TID memory		User memory		R	W	R	W	R	W	R	W	R	W	R	W	R	W	R	W	R	W
Skip/write	Skip/write	Skip/write	Skip/write	Skip/write	Skip/write	Skip/write	Skip/write	Skip/write	Skip/write	Skip/write	Skip/write	X	X	X	X	X	X	X	X	X	X	X	X	X	X	X	X
MSB										Data Byte 3						Data Byte 4						LSB					
Action field																											
Kill PWD		Access PWD		EPC memory		TID memory		User memory		R	W	R	W	R	W	R	W	R	W	R	W	R	W	R	W	R	W
n/a	n/a	n/a	n/a	PWD write	permalock	PWD write	permalock	PWD write	permalock	PWD write	permalock	X	X	X	X	X	X	X	X	X	X	X	X	X	X	X	X

aaa-003734

Figure 5. I²C memory bank lock write and read access

11 I²C commands

11.1 UCODE I²C operation

For details on I²C interface refer to [Ref. 1](#).

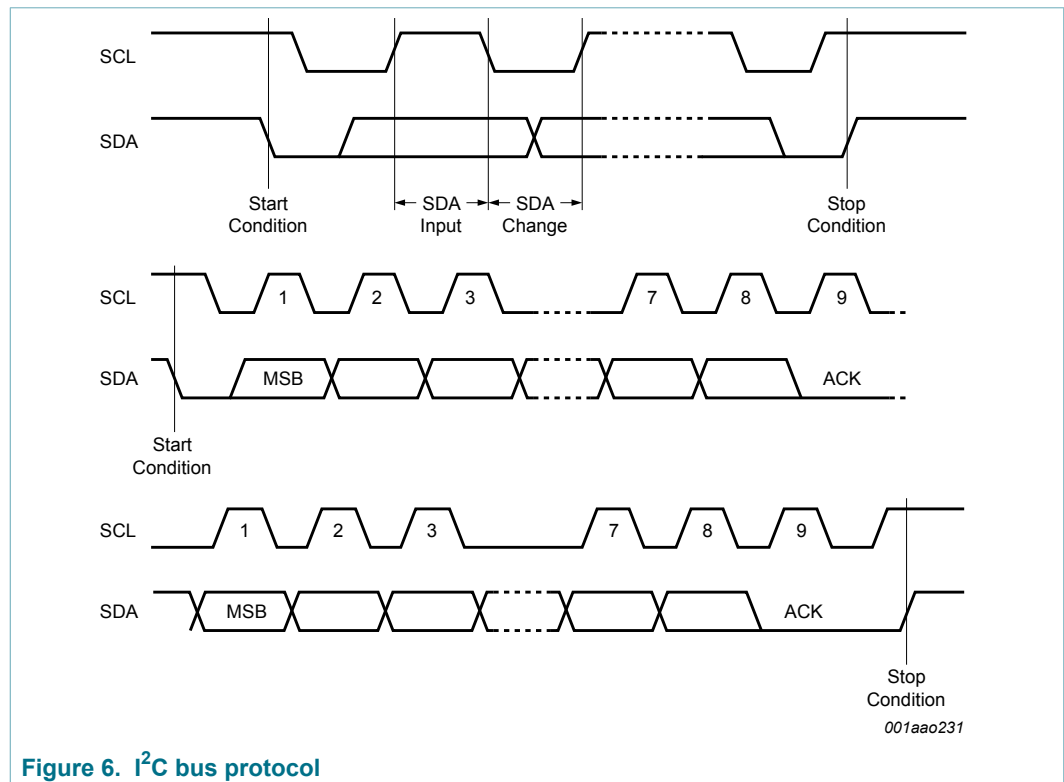


Figure 6. I²C bus protocol

The UCODE I²C supports the I²C protocol. This is summarized in [Figure 7](#). Any device that sends data on to the bus is defined to be a transmitter, and any device that reads the data to be a receiver. The device that controls the data transfer is known as the bus master, and the other as the slave device. A data transfer can only be initiated by the bus master, which will also provide the serial clock for synchronization. The device is always a slave in all communications.

11.2 Start condition

Start is identified by a falling edge of Serial Data (SDA) while Serial Clock (SCL) is stable in the high state. A Start condition must precede any data transfer command. The UCODE I²C continuously monitors (except during a Write cycle) Serial Data (SDA) and Serial Clock (SCL) for a Start condition, and will not respond unless one is given.

11.3 Stop condition

Stop is identified by a rising edge of Serial Data (SDA) while Serial Clock (SCL) is stable and driven high. A Stop condition terminates communication between the UCODE I²C and the bus master. A Read command that is followed by NoAck can be followed by a Stop condition to force the UCODE I²C into the Standby mode. A Stop condition at the end of a Write command triggers the internal Write cycle.

11.4 Acknowledge bit (ACK)

The acknowledge bit is used to indicate a successful byte transfer. The bus transmitter, whether it be bus master or slave device, releases Serial Data (SDA) after sending 8 bits of data. During the ninth clock pulse period, the receiver pulls Serial Data (SDA) low to acknowledge the receipt of the eight data bits.

11.5 Data input

During data input, the UCODE I²C samples Serial Data (SDA) on the rising edge of Serial Clock (SCL). For correct device operation, Serial Data (SDA) must be stable during the rising edge of Serial Clock (SCL). The Serial Data (SDA) signal must change only when Serial Clock (SCL) is driven low.

11.6 Addressing

To start communication between a bus master and the UCODE I²C slave device, the bus master must initiate a Start condition. Following this, the bus master sends the device select code. The 7-bit device select code consists of a 4-bit device identifier (value Ah) which is initialized in wafer test and cannot be changed in the user mode. Three additional bits in the configuration word are reserved to alter the device address via RF interface after initialization. This allows up to eight UCODE I²C devices to be connected to a bus master at the same time.

The 8th bit is the Read/Write bit (RW). This bit is set to 1 for Read and 0 for Write operations.

If a match occurs on the device select code, the UCODE I²C gives an acknowledgment on Serial Data (SDA) during the 9th bit time. If the UCODE I²C does not match the device select code, it deselected itself from the bus.

Table 15. Device select code

	Device type identifier				Device address in configuration word 204h to 206h			R/W
Device select code	b7	b6	b5	b4	b3	b2	b1	b0
Value	1	0	1	0	0 ^[1]	0 ^[1]	1 ^[1]	1/0

[1] Initial values - can be changed - See also [Table 9](#) and [Table 10](#).

Table 16. I²C addressing

Most significant byte	b15	b14	b13	b12	b11	b10	b9	b8
EPC address	EPC/Lock	EPC memory bank		EPC memory word address				
Least significant byte	b7	b6	b5	b4	b3	b2	b1	b0
EPC address	EPC memory word address							MSB/LSB

11.7 Write Operation

The byte address must be an even value due to the word wise organization of the EEPROM.

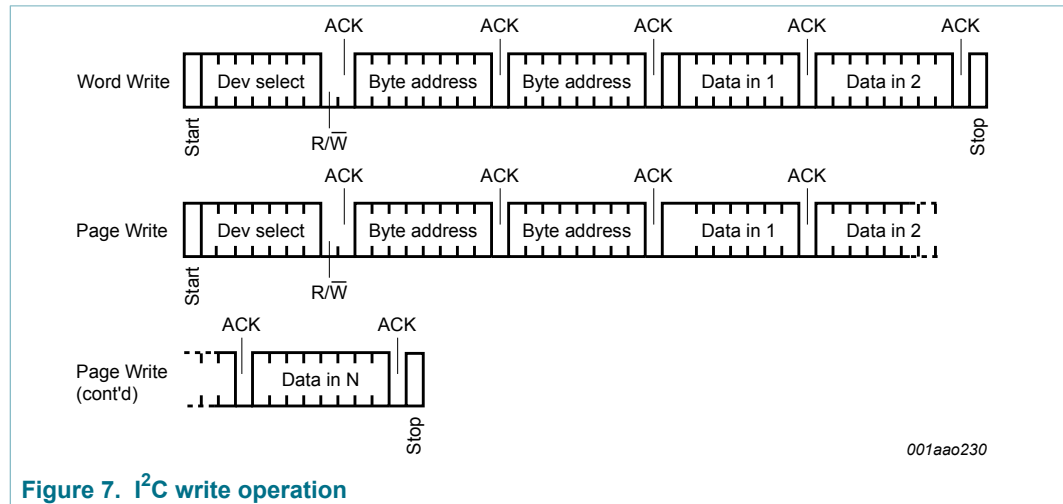


Figure 7. I²C write operation

Following a Start condition the bus master sends a device select code with the Read/Write bit (RW) reset to 0. The UCODE I²C acknowledges this, as shown in Figure 7 and waits for two address bytes. The UCODE I²C responds to each address byte with an acknowledge bit, and then waits for the data Byte.

Each data byte in the memory has a 16-bit (two byte wide) address. The Most Significant Byte (Table 16) is sent first, followed by the Least Significant Byte (Table 16). Bits b15 to b0 form the address of the byte in memory.

When the bus master generates a Stop condition immediately after the ACK bit (in the "10th bit" time slot), either at the end of a Word Write or a Page Write, the internal Write cycle is triggered. A Stop condition at any other time slot does not trigger the internal Write cycle.

During the internal Write cycle, Serial Data (SDA) is disabled internally, and the UCODE I²C does not respond to any requests.

11.7.1 Word Write

After the device select code and the address word, the bus master sends one word data. If the addressed location is Write-protected, the UCODE I²C replies with NACK, and the location is not modified. If, instead, the addressed location is not Write-protected, the UCODE I²C replies with ACK. The bus master terminates the transfer by generating a Stop condition, as shown in Figure 7.

11.7.2 Page Write

The Page Write mode allows 2 words to be written in a single Write cycle, provided that they are all located in the same 'row' in the memory: that is, the most significant memory address bits (b12-b2) are the same and b1= 0 and b0 = 0. If more than two words are sent than each additional byte will cause a NACK on SDA.

The bus master sends from 1 to 2 words of data, each of which is acknowledged by the UCODE I²C. The transfer is terminated by the bus master generating a Stop condition.

11.8 Read operation

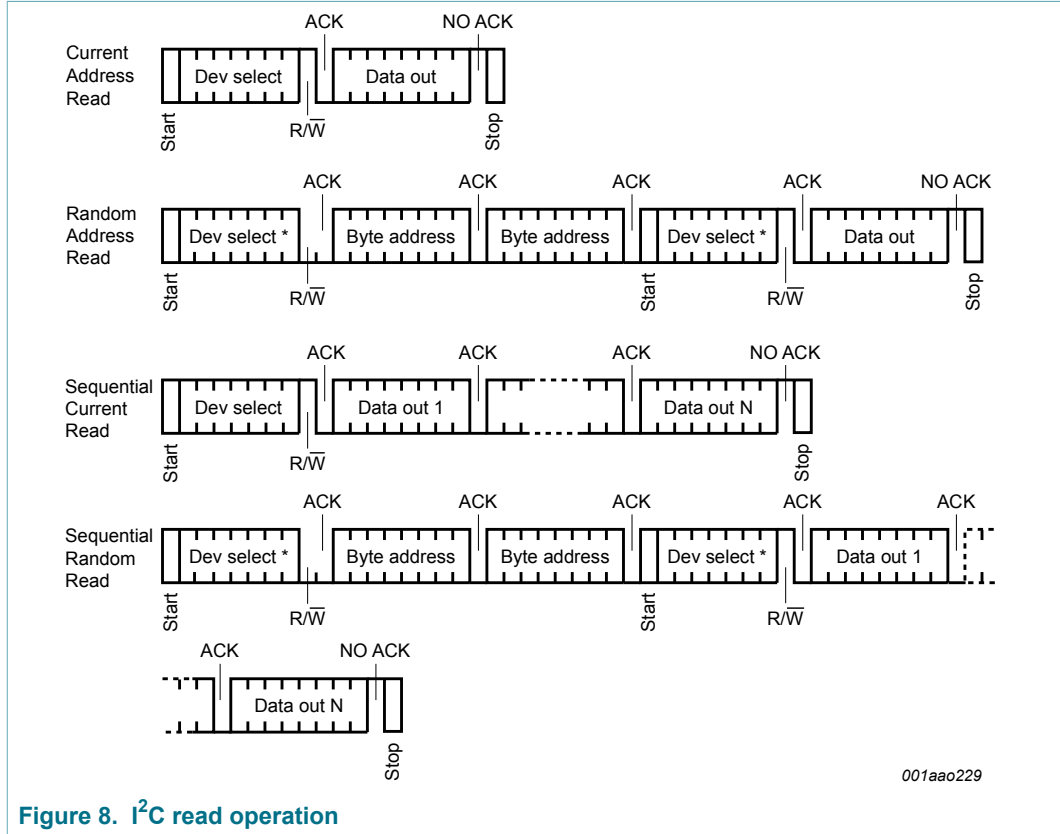


Figure 8. I²C read operation

After the successful completion of a read operation, the UCODE I²C's internal address counter is incremented by one, to point to the next byte address.

11.8.1 Random Address Read

A dummy Write is first performed to load the address into this address counter (as shown in Figure 8) but without sending a Stop condition. Then, the bus master sends another Start condition, and repeats the device select code, with the Read/Write bit (RW) set to 1. The UCODE I²C acknowledges this, and outputs the contents of the addressed byte. The bus master must not acknowledge the byte, and terminates the transfer with a Stop condition.

11.8.2 Current Address Read

For the Current Address Read operation, following a Start condition, the bus master only sends a UCODE I²C select code with the Read/Write bit (RW) set to 1. The UCODE I²C acknowledges this, and outputs the byte addressed by the internal address counter. The counter is then incremented. The bus master terminates the transfer with a Stop condition, as shown in Figure 8, without acknowledging the Byte.

11.8.3 Sequential Read

This operation can be used after a Current Address Read or a Random Address Read. The bus master does acknowledge the data byte output, and sends additional clock

pulses so that the UCODE I²C continues to output the next byte in sequence. To terminate the stream of bytes, the bus master must not acknowledge the last byte, and must generate a Stop condition, as shown in [Figure 8](#).

The output data comes from consecutive addresses, with the internal address counter automatically incremented after each byte output.

11.8.4 Acknowledge in Read mode

For all Read commands, the UCODE I²C waits, after each byte read, for an acknowledgment during the 9th bit time. If the bus master does not drive Serial Data (SDA) low during this time, the UCODE I²C terminates the data transfer and switches to its Standby mode.

11.8.5 EPC memory bank handling

After the last memory address within one EPC memory bank, the address counter 'rolls-over' to the next EPC memory bank, and the UCODE I²C continues to output data from memory address 00h in the successive EPC memory bank.

Example: EPC Bank 01 → EPC Bank 10 → EPC Bank 11 → EPC Bank 01

12 RF interface/I²C interface arbitration

The UCODE I²C needs to arbitrate the EEPROM access between the RF and the I²C interface.

The arbitration is implemented as following:

- First come, first serve strategy - the interface which provides data by having a first valid preamble on RF envelope (begin of a command) or a start condition and a valid I²C device address on the I²C interface will be favored.
- I²C access to the chip memory is possible regardless if it is in the EPC Gen2 secured state or not
- During an I²C command, starting with an I²C start followed by valid I²C device address and ending with an I²C stop condition, any RF command is ignored.
- During any EPC Gen2 command, any I²C command is ignored

There are known limitations for applications where both interfaces are powered. For details refer to [Ref. 6](#).

13 Limiting values

Table 17. Limiting values

In accordance with the Absolute Maximum Rating System (IEC 60134). Voltages are referenced to GND.^{[1][2][3]}

Symbol	Parameter	Conditions		Min	Max	Unit
Die						
V _{max}	maximum voltage	on pin VDD, SDA, SCL, GND		-0.3	3.6	V
T _{stg}	storage temperature			-55	+125	°C
T _{amb}	ambient temperature			-40	+85	°C
V _{ESD}	electrostatic discharge voltage	Human body model; SNW-FQ-302A		-	±2	kV
		Charged device model		-	±500	V

- [1] Stresses above those listed under Absolute Maximum Ratings may cause permanent damage to the device. This is a stress rating only and functional operation of the device at these or any conditions other than those described in the Operating Conditions and Electrical Characteristics section of this specification is not implied.
- [2] This product includes circuitry specifically designed for the protection of its internal devices from the damaging effects of excessive static charge. Nonetheless, it is suggested that conventional precautions be taken to avoid applying greater than the rated maxima.
- [3] For ESD measurement, the die chip has been mounted into a CDIP8 package.

14 Characteristics

Table 18. Characteristics

Symbol	Parameter	Conditions	Min	Typ	Max	Unit
EEPROM characteristics						
t_{ret}	retention time	$T_{\text{amb}} \leq 55\text{ }^{\circ}\text{C}$	20	-	-	year
$N_{\text{endu(W)}}$	write endurance	$T_{\text{amb}} \leq 85\text{ }^{\circ}\text{C}$	100000	-	-	cycle
Interface characteristics						
P_{tot}	total power dissipation		-	-	30	mW
f_{oper}	operating frequency		840	-	960	MHz
P_{min}	minimum operating power supply ^[1]	Read mode	-	-18	-	dBm
		Write mode	-	-11	-	dBm
		Read and Write mode with V_{DD} input	-	-23	-	dBm
V_{DD}	supply voltage	I ² C, on V_{DD} input	1.8	-	3.6	V
V_{DD}	supply voltage rise time requirements		100	-	-	μs
I_{DD}	supply current	from V_{DD} in I ² C read mode	-	10	-	μA
		from V_{DD} in I ² C write mode	-	40	-	μA
Z	impedance (package)	915 MHz	-	12.7-j 199	-	Ω
		866 MHz	-	13.8-j 210	-	Ω
		953 MHz	-	12.4-j 190	-	Ω
-	modulated jammer suppression $\geq 1.0\text{ MHz}$		-	-4	-	dB
-	unmodulated jammer suppression $\geq 1.0\text{ MHz}$		-	-4	-	dB
V_{IL}	LOW-level input voltage ^[2]		-0.5	-	0.3 V_{DD}	V
V_{IH}	HIGH-level input voltage ^[2]		0.7 V_{DD}	-	^[3]	V
V_{hys}	hysteresis of Schmitt trigger inputs ^[4]		0.05 V_{DD}	-	-	V
V_{OL1}	LOW-level output voltage 1	(open-drain or open-collector) at 3 mA sink current ^[5] ; $V_{\text{DD}} > 2\text{ V}$	0	-	0.4	V
V_{OL2}	LOW-level output voltage 2 ^[4]	(open-drain or open-collector) at 2 mA sink current ^[5] ; $V_{\text{DD}} \leq 2\text{ V}$	0	-	0.2 V_{DD}	V

[1] Tag sensitivity on a 2 dBi gain antenna

[2] Some legacy Standard-mode devices had fixed input levels of $V_{\text{IL}} = 1.5\text{ V}$ and $V_{\text{IH}} = 3.0\text{ V}$.[3] Maximum $V_{\text{IH}} = V_{\text{DD(max)}} + 0.5\text{ V}$.

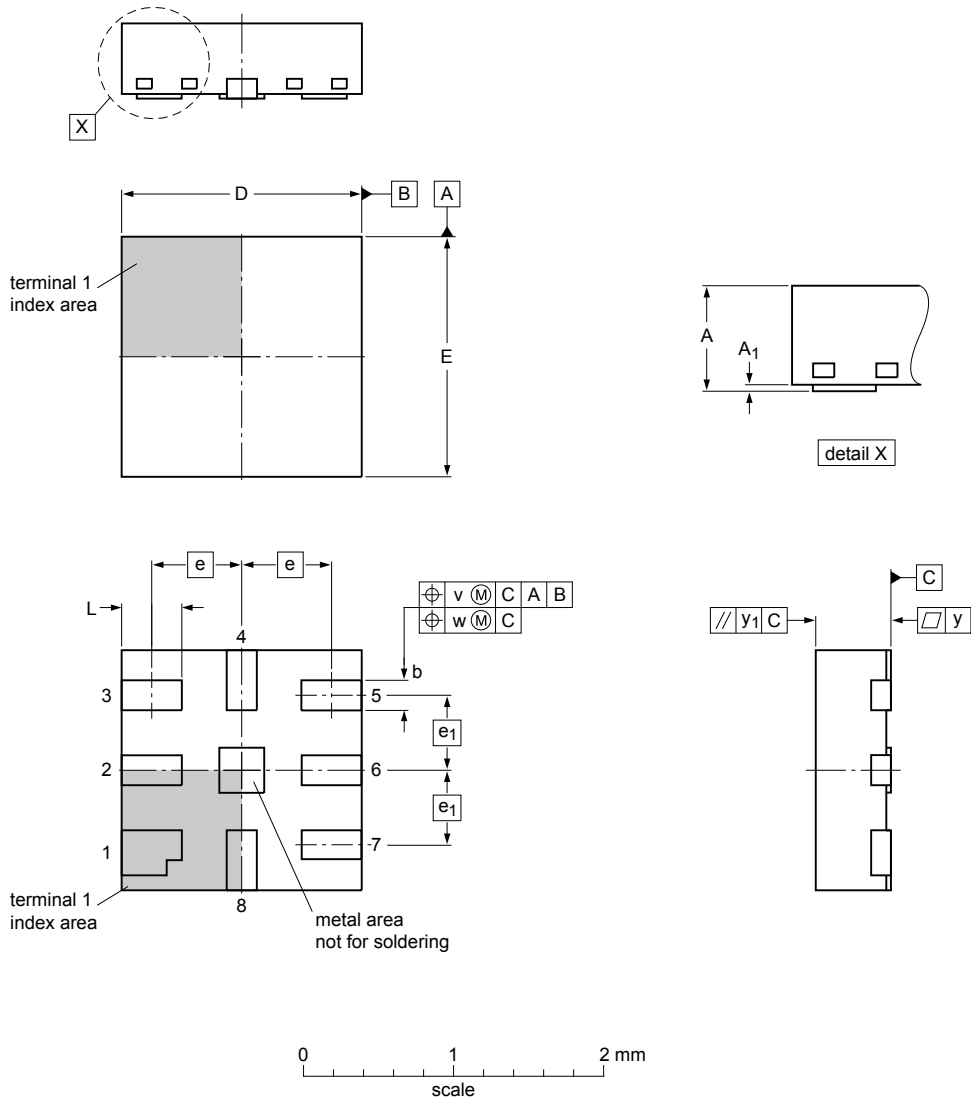
[4] Only applies to Fast Mode and Fast Mode Plus.

[5] The same resistor value to drive 3 mA at 3.0 V V_{DD} provides the same RC time constant when using $<2\text{ V}$ V_{DD} with a smaller current draw.

15 Package outline

XQFN8: plastic, extremely thin quad flat package; no leads;
8 terminals; body 1.6 x 1.6 x 0.5 mm

SOT902-3



Dimensions

Unit	A	A ₁	b	D	E	e	e ₁	L	v	w	y	y ₁
max	0.5	0.05	0.25	1.65	1.65			0.45				
nom			0.20	1.60	1.60	0.6	0.5	0.40	0.1	0.05	0.05	0.05
min		0.00	0.15	1.55	1.55			0.35				

Note

1. Plastic or metal protrusions of 0.075 mm maximum per side are not included.

sof902-3_po

Outline version	References			European projection	Issue date
	IEC	JEDEC	JEITA		
SOT902-3	---	MO-255	---		11-08-16 11-08-18

Figure 9. Package outline SOT902-3

16 Abbreviations

Table 19. Abbreviations

Acronym	Description
CRC	Cyclic Redundancy Check
CW	Continuous Wave
EEPROM	Electrically Erasable Programmable Read Only Memory
EPC	Electronic Product Code (containing Header, Domain Manager, Object Class and Serial Number)
FM0	Bhi phase space modulation
HBM	Human Body Model
IC	Integrated Circuit
LSB	Least Significant Byte/Bit
MSB	Most Significant Byte/Bit
NRZ	Non-Return to Zero coding
RF	Radio Frequency
RTF	Reader Talks First
Tari	Type A Reference Interval (ISO 18000-6)
UHF	Ultra High Frequency
X _{xb}	Value in binary notation
XX _{hex}	Value in hexadecimal notation

17 References

1. I²C-bus specification and user manual (NXP standard UM10204.pdf / Rev. 03 - 19 June 2007)
2. EPC Radio-Frequency Identity Protocols Class-1 Generation-2 UHF RFID Protocol for Communications at 860 MHz - 960 MHz Version 1.2.0
3. EPC Conformance Standard Version 1.0.5
4. ESD Method SNW -FQ-302A
5. ISO/IEC 18000-1: Information technology - Radio frequency identification for item management - Part 1: Reference architecture and definition of parameters to be standardized
6. Errata Sheet UCODE I²C (NXP document ES3715.pdf)

18 Revision history

Table 20. Revision history

Document ID	Release date	Data sheet status	Change notice	Supersedes
SL3S4011_4021 v. 3.5	20180918	Product data sheet	-	SL3S4011_4021 v. 3.4
Modifications:	<ul style="list-style-type: none"> • Table 18: Unit of V_{DD} corrected • Section 2.4: Bullet "Encoding speed one word 5 ms" added 			
SL3S4011_4021 v. 3.4	20170524	Product data sheet	-	SL3S4011_4021 v. 3.3
Modifications:	<ul style="list-style-type: none"> • Write endurance updated into 100 kcycles 			
SL3S4011_4021 v. 3.3	20170215	Product data sheet	-	SL3S4011_4021 v. 3.2
Modifications:	<ul style="list-style-type: none"> • Table 2 Marking added • Table 18: Impedances for all frequencies added • References to errata sheet added • Minor editorial updates 			
SL3S4011_4021 v. 3.2	20151012	Product data sheet	-	SL3S4011_4021 v. 3.1
Modifications:	<ul style="list-style-type: none"> • Section 10.1 "UCODE I²C special feature": "RF - I²C Bridge feature" updated • Minor editorial updates 			
SL3S4011_4021 v. 3.1	20130703	Product data sheet	-	SL3S4011_4021 v. 3.0
Modifications:	<ul style="list-style-type: none"> • General update 			
SL3S4011_4021 v. 3.0	20130416	Product data sheet	-	SL3S4011_4021 v. 2.3
Modifications:	<ul style="list-style-type: none"> • Data sheet status changed to Product data sheet 			
SL3S4011_4021 v. 2.3	20130305	Preliminary data sheet	-	SL3S4011_4021 v. 2.2
Modifications:	<ul style="list-style-type: none"> • General update • Security status changed into COMPANY PUBLIC 			
SL3S4011_4021 v. 2.2	20121127	Preliminary data sheet	-	SL3S4011_4021 v. 2.1
Modifications:	<ul style="list-style-type: none"> • General update 			
SL3S4011_4021 v. 2.1	20120726	Preliminary data sheet	-	SL3S4001FHK v. 2.0
Modifications:	<ul style="list-style-type: none"> • General update 			
SL3S4011_4021 v. 2.0	20120627	Preliminary data sheet	-	SL3S4001FHK v. 1.2
Modifications:	<ul style="list-style-type: none"> • General update 			
SL3S4001FHK v. 1.2	20111004	Objective data sheet	-	SL3S4001FHK v. 1.1
Modifications:	<ul style="list-style-type: none"> • Table 1 "Ordering information": updated • Figure 3 "UCODE I2C wafer layout": values updated 			
SL3S4001FHK v. 1.1	20110707	Objective data sheet	-	SL3S4001FHK v. 1.0
Modifications:	<ul style="list-style-type: none"> • Table 3 "Mechanical properties XQFN8": updated • Section 10.6 "Addressing": updated 			
SL3S4001FHK v. 1.0	20110609	Objective data sheet	-	-

19 Legal information

19.1 Data sheet status

Document status ^{[1][2]}	Product status ^[3]	Definition
Objective [short] data sheet	Development	This document contains data from the objective specification for product development.
Preliminary [short] data sheet	Qualification	This document contains data from the preliminary specification.
Product [short] data sheet	Production	This document contains the product specification.

[1] Please consult the most recently issued document before initiating or completing a design.

[2] The term 'short data sheet' is explained in section "Definitions".

[3] The product status of device(s) described in this document may have changed since this document was published and may differ in case of multiple devices. The latest product status information is available on the Internet at URL <http://www.nxp.com>.

19.2 Definitions

Draft — The document is a draft version only. The content is still under internal review and subject to formal approval, which may result in modifications or additions. NXP Semiconductors does not give any representations or warranties as to the accuracy or completeness of information included herein and shall have no liability for the consequences of use of such information.

Short data sheet — A short data sheet is an extract from a full data sheet with the same product type number(s) and title. A short data sheet is intended for quick reference only and should not be relied upon to contain detailed and full information. For detailed and full information see the relevant full data sheet, which is available on request via the local NXP Semiconductors sales office. In case of any inconsistency or conflict with the short data sheet, the full data sheet shall prevail.

Product specification — The information and data provided in a Product data sheet shall define the specification of the product as agreed between NXP Semiconductors and its customer, unless NXP Semiconductors and customer have explicitly agreed otherwise in writing. In no event however, shall an agreement be valid in which the NXP Semiconductors product is deemed to offer functions and qualities beyond those described in the Product data sheet.

19.3 Disclaimers

Limited warranty and liability — Information in this document is believed to be accurate and reliable. However, NXP Semiconductors does not give any representations or warranties, expressed or implied, as to the accuracy or completeness of such information and shall have no liability for the consequences of use of such information. NXP Semiconductors takes no responsibility for the content in this document if provided by an information source outside of NXP Semiconductors. In no event shall NXP Semiconductors be liable for any indirect, incidental, punitive, special or consequential damages (including - without limitation - lost profits, lost savings, business interruption, costs related to the removal or replacement of any products or rework charges) whether or not such damages are based on tort (including negligence), warranty, breach of contract or any other legal theory. Notwithstanding any damages that customer might incur for any reason whatsoever, NXP Semiconductors' aggregate and cumulative liability towards customer for the products described herein shall be limited in accordance with the Terms and conditions of commercial sale of NXP Semiconductors.

Right to make changes — NXP Semiconductors reserves the right to make changes to information published in this document, including without limitation specifications and product descriptions, at any time and without

notice. This document supersedes and replaces all information supplied prior to the publication hereof.

Suitability for use — NXP Semiconductors products are not designed, authorized or warranted to be suitable for use in life support, life-critical or safety-critical systems or equipment, nor in applications where failure or malfunction of an NXP Semiconductors product can reasonably be expected to result in personal injury, death or severe property or environmental damage. NXP Semiconductors and its suppliers accept no liability for inclusion and/or use of NXP Semiconductors products in such equipment or applications and therefore such inclusion and/or use is at the customer's own risk.

Applications — Applications that are described herein for any of these products are for illustrative purposes only. NXP Semiconductors makes no representation or warranty that such applications will be suitable for the specified use without further testing or modification. Customers are responsible for the design and operation of their applications and products using NXP Semiconductors products, and NXP Semiconductors accepts no liability for any assistance with applications or customer product design. It is customer's sole responsibility to determine whether the NXP Semiconductors product is suitable and fit for the customer's applications and products planned, as well as for the planned application and use of customer's third party customer(s). Customers should provide appropriate design and operating safeguards to minimize the risks associated with their applications and products. NXP Semiconductors does not accept any liability related to any default, damage, costs or problem which is based on any weakness or default in the customer's applications or products, or the application or use by customer's third party customer(s). Customer is responsible for doing all necessary testing for the customer's applications and products using NXP Semiconductors products in order to avoid a default of the applications and the products or of the application or use by customer's third party customer(s). NXP does not accept any liability in this respect.

Limiting values — Stress above one or more limiting values (as defined in the Absolute Maximum Ratings System of IEC 60134) will cause permanent damage to the device. Limiting values are stress ratings only and (proper) operation of the device at these or any other conditions above those given in the Recommended operating conditions section (if present) or the Characteristics sections of this document is not warranted. Constant or repeated exposure to limiting values will permanently and irreversibly affect the quality and reliability of the device.

Terms and conditions of commercial sale — NXP Semiconductors products are sold subject to the general terms and conditions of commercial sale, as published at <http://www.nxp.com/profile/terms>, unless otherwise agreed in a valid written individual agreement. In case an individual agreement is concluded only the terms and conditions of the respective agreement shall apply. NXP Semiconductors hereby expressly objects to applying the customer's general terms and conditions with regard to the purchase of NXP Semiconductors products by customer.

No offer to sell or license — Nothing in this document may be interpreted or construed as an offer to sell products that is open for acceptance or the grant, conveyance or implication of any license under any copyrights, patents or other industrial or intellectual property rights.

Quick reference data — The Quick reference data is an extract of the product data given in the Limiting values and Characteristics sections of this document, and as such is not complete, exhaustive or legally binding.

Export control — This document as well as the item(s) described herein may be subject to export control regulations. Export might require a prior authorization from competent authorities.

Non-automotive qualified products — Unless this data sheet expressly states that this specific NXP Semiconductors product is automotive qualified, the product is not suitable for automotive use. It is neither qualified nor tested in accordance with automotive testing or application requirements. NXP Semiconductors accepts no liability for inclusion and/or use of non-automotive qualified products in automotive equipment or applications. In the event that customer uses the product for design-in and use in automotive applications to automotive specifications and standards, customer (a) shall

use the product without NXP Semiconductors' warranty of the product for such automotive applications, use and specifications, and (b) whenever customer uses the product for automotive applications beyond NXP Semiconductors' specifications such use shall be solely at customer's own risk, and (c) customer fully indemnifies NXP Semiconductors for any liability, damages or failed product claims resulting from customer design and use of the product for automotive applications beyond NXP Semiconductors' standard warranty and NXP Semiconductors' product specifications.

Translations — A non-English (translated) version of a document is for reference only. The English version shall prevail in case of any discrepancy between the translated and English versions.

19.4 Trademarks

Notice: All referenced brands, product names, service names and trademarks are the property of their respective owners.

I²C-bus — logo is a trademark of NXP B.V.

UCODE — is a trademark of NXP B.V.

Tables

Tab. 1.	Ordering information	3		
Tab. 2.	Marking	3		
Tab. 3.	Pin description	4		
Tab. 4.	Mechanical properties XQFN8	5		
Tab. 5.	UCODE I2C memory sections	6		
Tab. 6.	Memory map	8		
Tab. 7.	UCODE I2C TID description	9		
Tab. 8.	Interrupt signaling via the I2C-SCL line timing	11		
Tab. 9.	Configuration Word accessible located at bit address 200h via UHF (word address 20h/32d) of the EPC bank and I2C address 2040h (1 RF front-end version SL3S4011)	12		
Tab. 10.	Configuration Word accessible located at bit address 200h via UHF (word address 20h/32d) of the EPC bank and I2C address 2040h (2 RF front-end version SL3S4021)	12		
Tab. 11.	ChangeConfig custom command	13		
Tab. 12.	ChangeConfig custom response table	13		
Tab. 13.	Memory banks locking possibilities for UCODE I2C via RF and I2C	15		
Tab. 14.	Lock payload and usage	15		
Tab. 15.	Device select code	18		
Tab. 16.	I2C addressing	18		
Tab. 17.	Limiting values	22		
Tab. 18.	Characteristics	23		
Tab. 19.	Abbreviations	25		
Tab. 20.	Revision history	26		

Figures

Fig. 1.	Block diagram	3	Fig. 6.	I2C bus protocol	17
Fig. 2.	Pin configuration	4	Fig. 7.	I2C write operation	19
Fig. 3.	UCODE I2C TID memory structure	9	Fig. 8.	I2C read operation	20
Fig. 4.	SCL interrupt signalling	11	Fig. 9.	Package outline SOT902-3	24
Fig. 5.	I2C memory bank lock write and read access ..	16			

Contents

1	General description	1	12	RF interface/I2C interface arbitration	21
2	Features and benefits	1	13	Limiting values	22
2.1	UHF interface	1	14	Characteristics	23
2.2	I2C interface	2	15	Package outline	24
2.3	Command set	2	16	Abbreviations	25
2.4	Memory	2	17	References	25
2.5	Package	2	18	Revision history	26
3	Applications	2	19	Legal information	27
4	Ordering information	3			
5	Marking	3			
6	Block diagram	3			
7	Pinning information	4			
7.1	Pinning	4			
7.2	Pin description	4			
8	Mechanical specification	5			
8.1	SOT902 specification	5			
9	Functional description	5			
9.1	Air interface standards	5			
9.2	Power transfer	5			
9.3	Data transfer air interface	5			
9.3.1	Interrogator to tag Link	5			
9.3.2	Tag to reader Link	5			
9.4	Data transfer to I2C interface	6			
9.5	Supported commands	6			
9.6	UCODE I2C memory	6			
9.6.1	UCODE I2C overall memory map	8			
9.6.2	UCODE I2C TID memory details	9			
10	Supported features	10			
10.1	UCODE I2C special feature	10			
10.2	UCODE I2C special features control mechanism	11			
10.3	Change Config Command	13			
10.4	UCODE I2C memory bank locking mechanism	14			
10.4.1	Possibilities	15			
10.4.2	Via RF	15			
10.4.3	Via I2C	16			
11	I2C commands	17			
11.1	UCODE I2C operation	17			
11.2	Start condition	17			
11.3	Stop condition	17			
11.4	Acknowledge bit (ACK)	18			
11.5	Data input	18			
11.6	Addressing	18			
11.7	Write Operation	19			
11.7.1	Word Write	19			
11.7.2	Page Write	19			
11.8	Read operation	20			
11.8.1	Random Address Read	20			
11.8.2	Current Address Read	20			
11.8.3	Sequential Read	20			
11.8.4	Acknowledge in Read mode	21			
11.8.5	EPC memory bank handling	21			

Please be aware that important notices concerning this document and the product(s) described herein, have been included in section 'Legal information'.

© NXP B.V. 2018.

All rights reserved.

For more information, please visit: <http://www.nxp.com>

For sales office addresses, please send an email to: salesaddresses@nxp.com

Date of release: 18 September 2018

Document identifier: SL3S4011_4021

Document number: 204935

X-ON Electronics

Largest Supplier of Electrical and Electronic Components

Click to view similar products for [NFC/RFID Tags & Transponders](#) category:

Click to view products by [NXP](#) manufacturer:

Other Similar products are found below :

[PCF7941ATSM2AB120](#), [NT2H0301F0DTL,125](#) [PNEV512B,699](#) [V680-D1KP54T](#) [V680S-A40 50M](#) [PN7120A0EV/C10801Y](#)

[TRPGR30ATGA](#) [SPS1M003B](#) [SPS1M003A](#) [SPS1M002B](#) [SPS1M002A](#) [V680S-A40 10M](#) [V680-D1KP66T](#) [ATA5577M2330C-DBQ](#)

[SL2S5302FTBX](#) [LXMSJZNCMD-217](#) [60208](#) [60170](#) [P5DF081X0/T1AD2060](#) [MF1S5030XDA8/V1J](#) [MF1S7030XDA4/V1J](#)

[HT1MOA4S30/E/3J](#) [HT2MOA4S20/E/3/RJ](#) [MFRC52302HN1,157](#) [TRPGR30ATGB](#) [NRF51822-QFAA-R](#) [20926410601](#) [CLRC66303HNE](#)

[ART915X1620TX16-IC](#) [ART915X2117225TX21-IC](#) [28448](#) [ART923X1015YZ10-IC](#) [ART868X130903TX13](#) [ART868X25275YZ25](#)

[ART915X050503OP-IC](#) [ART915X100202TO-IC](#) [ART915X100503JA-IC](#) [ART915X130930TX13-IC](#) [ART915X250903AM-IC](#)

[ART915X2509EP60-IC](#) [ART915X252503MA-IC](#) [ART915X25275YZ25](#) [ART915X25275YZ25-IC](#) [ART923X1015YZ10](#) [AS3932-BTST](#)

[AS3933-BTST](#) [20926410802](#) [LXMSJZNCMF-198](#) [MIKROE-779](#) [13356-0571](#)