



## MPC5777M



416 TEPBGA  
27mm x 27 mm



512 TEPBGA  
25 mm x 25 mm

## MPC5777M Microcontroller Data Sheet

- Three main CPUs, single issue, 32-bit CPU core complexes (e200z7), one of which is a dedicated lockstep core.
  - Power Architecture® embedded specification compliance
  - Instruction set enhancement allowing variable length encoding (VLE), encoding a mix of 16-bit and 32-bit instructions, for code size footprint reduction
  - Single-precision floating point operations
  - 16 KB Local instruction RAM and 64 KB local data RAM
  - 16 KB I-Cache and 4 KB D-Cache
- I/O Processor, dual issue, 32-bit CPU core complex (e200z4), with
  - Power Architecture embedded specification compliance
  - Instruction set enhancement allowing variable length encoding (VLE), encoding a mix of 16-bit and 32-bit instructions, for code size footprint reduction
  - Single-precision floating point operations
  - Lightweight Signal Processing Auxiliary Processing Unit (LSP APU) instruction support for digital signal processing (DSP)
  - 16 KB Local instruction RAM and 64 KB local data RAM
  - 8 KB I-Cache
- 8640 KB on-chip flash
  - Supports read during program and erase operations, and multiple blocks allowing EEPROM emulation
- 404 KB on-chip general-purpose SRAM including 64 KB standby RAM (+ 192 KB data RAM included in the CPUs). Of this 404 KB, 64 KB can be powered by a separate supply so the contents of this portion can be preserved when the main MCU is powered down.
- Multichannel direct memory access controllers (eDMA): 2 x 64 channels per eDMA (128 channels total)
- Triple Interrupt controller (INTC)
  - Dual phase-locked loops with stable clock domain for peripherals and FM modulation domain for computational shell
- Dual crossbar switch architecture for concurrent access to peripherals, flash, or RAM from multiple bus masters with end-to-end ECC
- Hardware Security Module (HSM) to provide robust integrity checking of flash memory
- System Integration Unit Lite (SIUL)
- Boot Assist Module (BAM) supports factory programming using serial bootload through 'UART Serial Boot Mode Protocol'. Physical interface (PHY) can be:
  - UART/LIN
  - CAN
- GTM104 — generic timer module
- Enhanced analog-to-digital converter system with
  - Twelve separate 12-bit SAR analog converters
  - Ten separate 16-bit Sigma-Delta analog converters
- Eight deserial serial peripheral interface (DSPI) modules
- Two Peripheral Sensor Interface (PSI5) controllers
- Three LIN and three UART communication interface (LINFlexD) modules (6 total)
  - LINFlexD\_0 is a Master/Slave
  - LINFlexD\_1, LINFlexD\_2, LINFlexD\_14, LINFlexD\_15, and LINFlexD\_16 are Masters
- Four modular controller area network (MCAN) modules and one time-triggered controller area network (M-TTCAN)
- External Bus Interface (EBI)
  - Dual routing of accesses to EBI
  - Access path determined by access address
  - Access path downstream of PFLASH controller
    - Allows EBI accesses to share buffer and prefetch capabilities of internal flash
    - Allows internal flash accesses to be remapped to memories connected to EBI

NXP reserves the right to change the detail specifications as may be required to permit improvements in the design of its products.



# Table of Contents

1	Introduction	4	3.14.2	Power management integration	75
1.1	Document overview	4	3.14.3	3.3 V flash supply	76
1.2	Description	4	3.14.4	Device voltage monitoring	77
1.3	Device feature	4	3.14.5	Power up/down sequencing	79
1.4	Block diagram	7	3.15	Flash memory electrical characteristics	80
2	Package pinouts and signal descriptions	10	3.15.1	Flash memory program and erase specifications	80
2.1	Package pinouts	11	3.15.2	Flash memory FERS program and erase specifications	82
2.2	Pin/ball descriptions	15	3.15.3	Flash memory Array Integrity and Margin Read specifications	83
2.2.1	Power supply and reference voltage pins/balls	15	3.15.4	Flash memory module life specifications	84
2.2.2	System pins/balls	16	3.15.5	Data retention vs program/erase cycles	84
2.2.3	LVDS pins/balls	17	3.15.6	Flash memory AC timing specifications	85
3	Electrical characteristics	21	3.15.7	Flash read wait state and address pipeline control settings	85
3.1	Introduction	21	3.16	AC specifications	86
3.2	Absolute maximum ratings	21	3.16.1	Debug and calibration interface timing	86
3.3	Electrostatic discharge (ESD)	23	3.16.2	DSPI timing with CMOS and LVDS pads	94
3.4	Operating conditions	23	3.16.3	FEC timing	110
3.5	DC electrical specifications	27	3.16.4	FlexRay timing	115
3.6	I/O pad specification	30	3.16.5	PSI5 timing	118
3.6.1	I/O input DC characteristics	31	3.16.6	UART timing	118
3.6.2	I/O output DC characteristics	35	3.16.7	External Bus Interface (EBI) Timing	119
3.7	I/O pad current specification	42	3.16.8	I2C timing	122
3.8	Reset pad (PORST, ESR0) electrical characteristics	45	3.16.9	GPIO delay timing	124
3.9	Oscillator and FMPLL	48	3.16.10	Package characteristics	124
3.10	ADC specifications	53	3.17	416 TEPBGA (production) case drawing	125
3.10.1	ADC input description	53	3.18	416 TEPBGA (emulation) case drawing	127
3.10.2	SAR ADC electrical specification	54	3.19	512 TEPBGA case drawing	130
3.10.3	S/D ADC electrical specification	58	3.20	Thermal characteristics	132
3.11	Temperature sensor	67	3.20.1	General notes for specifications at maximum junction temperature	132
3.12	LVDS Fast Asynchronous Serial Transmission (LFAST) pad electrical characteristics	67	4	Ordering information	134
3.12.1	LFAST interface timing diagrams	68	5	Document revision history	137
3.12.2	LFAST and MSC/DSPI LVDS interface electrical characteristics	69			
3.12.3	LFAST PLL electrical characteristics	72			
3.13	Aurora LVDS electrical characteristics	73			
3.14	Power management: PMC, POR/LVD, sequencing	75			
3.14.1	Power management electrical characteristics	75			

- Access path via dedicated AXBS slave port
  - Avoids contention with other memory accesses
- Two Dual-channel FlexRay controllers
- Nexus development interface (NDI) per IEEE-ISTO 5001-2003 standard, with some support for 2010 standard
- Device and board test support per Joint Test Action Group (JTAG) (IEEE 1149.1)
- Self-test capability

# 1 Introduction

## 1.1 Document overview

This document provides electrical specifications, pin assignments, and package diagrams for the MPC5777M series of microcontroller units (MCUs). For functional characteristics, see the *MPC5777M Microcontroller Reference Manual*.

## 1.2 Description

This family of MCUs is targeted at automotive powertrain controller and chassis control applications from single cylinder motorcycles at the very bottom end; through 4 to 8 cylinder gasoline and diesel engines; transmission control; steering and breaking applications; to high end hybrid and advanced combustion systems at the top end.

Many of the applications are considered to be functionally safe and the family is designed to achieve ISO26262 ASIL-D compliance.

## 1.3 Device feature

Table 1. MPC5777M feature

Feature		MPC5777M
Process		55 nm
Main processor	Core	e200z7
	Number of main cores	2
	Number of checker cores	1
	Local RAM (per main core)	16 KB Instruction 64 KB Data
	Single precision floating point	Yes
	LSP	No
	VLE	Yes
	Cache	16 KB Instruction 4 KB Data
I/O processor	Core	e200z4
	Local RAM	16 KB instruction 64 KB Data
	Single precision floating point	Yes
	LSP	Yes
	VLE	Yes
	Cache	8 KB instruction
Main processor frequency		300 MHz <sup>1</sup>
I/O processor frequency		200 MHz
MMU entries		0
MPU		Yes
Semaphores		Yes

Table 1. MPC5777M feature (continued)

Feature	MPC5777M
CRC channels	2
Software watchdog timer (Task SWT/Safety SWT)	4 (3/1)
Core Nexus class	3+
Sequence processing unit (SPU)	Yes
Debug and calibration interface (DCI) / run control module	Yes
System SRAM	404 KB
Flash memory	8640 KB
Flash memory fetch accelerator	4 × 256 bit
Data flash memory (EEPROM)	8 × 64 KB + 2 × 16 KB
Flash memory overlay RAM	16 KB
External bus	32 bit
Calibration interface	64-bit IPS Slave
DMA channels	2 × 64
DMA Nexus Class	3+
LINFlex (UART/MSC)	6 (3/3)
MCAN/TTCAN	4/1
DSPI (SPI/MSC/sync SCI)	8 (4/3/1)
Microsecond bus downlink	Yes
SENT bus	15
I <sup>2</sup> C	2
PSI5 bus	5
PSI5-S UART-to-PSI5 interface	Yes
FlexRay	2 × dual channel
Ethernet	MII / RMII
Zipwire <sup>®</sup> (SIPI / LFAST <sup>2</sup> ) Interprocessor Communication Interface	High speed
System timers	8 PIT channels 3 AUTOSAR <sup>®</sup> (STM) 64-bit PIT
BOSCH <sup>®</sup> GTM Timer <sup>3</sup>	Yes
GTM RAM	58 KB
Interrupt controller	727 sources
ADC (SAR)	12

Table 1. MPC5777M feature (continued)

Feature	MPC5777M
ADC (SD)	10
Temperature sensor	Yes
Self test controller	Yes
PLL	Dual PLL with FM
Integrated linear voltage regulator	None
External power supplies	5 V 3.3 V <sup>7</sup> 1.2 V
Low-power modes	Stop mode Slow mode
Packages	<ul style="list-style-type: none"> <li>• 416 TEPBGA<sup>4</sup></li> <li>• 512 TEPBGA<sup>5</sup></li> </ul>

<sup>1</sup> Includes four user-programmable CPU cores and one safety core. The main computational shell consists of dual e200z7 CPUs operating at 300 MHz with a third identical core running as a safety checker core in delayed lockstep mode with one of the dual e200z7 cores. The I/O subsystem includes a CPU targeted at managing the peripherals. This is an e200z4 CPU running at 200 MHz. The fifth CPU is an e200z0 running at 100 MHz and is embedded in the Hardware Security Module. All CPUs are compatible with the Power Architecture.

<sup>2</sup> LVDS Fast Asynchronous Serial Transmission

<sup>3</sup> BOSCH<sup>®</sup> is a registered trademark of Robert Bosch GmbH.

<sup>4</sup> 416 TEPBGA package supports development and production applications with the same package footprint.

<sup>5</sup> 512 TEPBGA package supports development and production applications with the same package footprint.

## 1.4 Block diagram

The figures below show the top-level block diagrams.

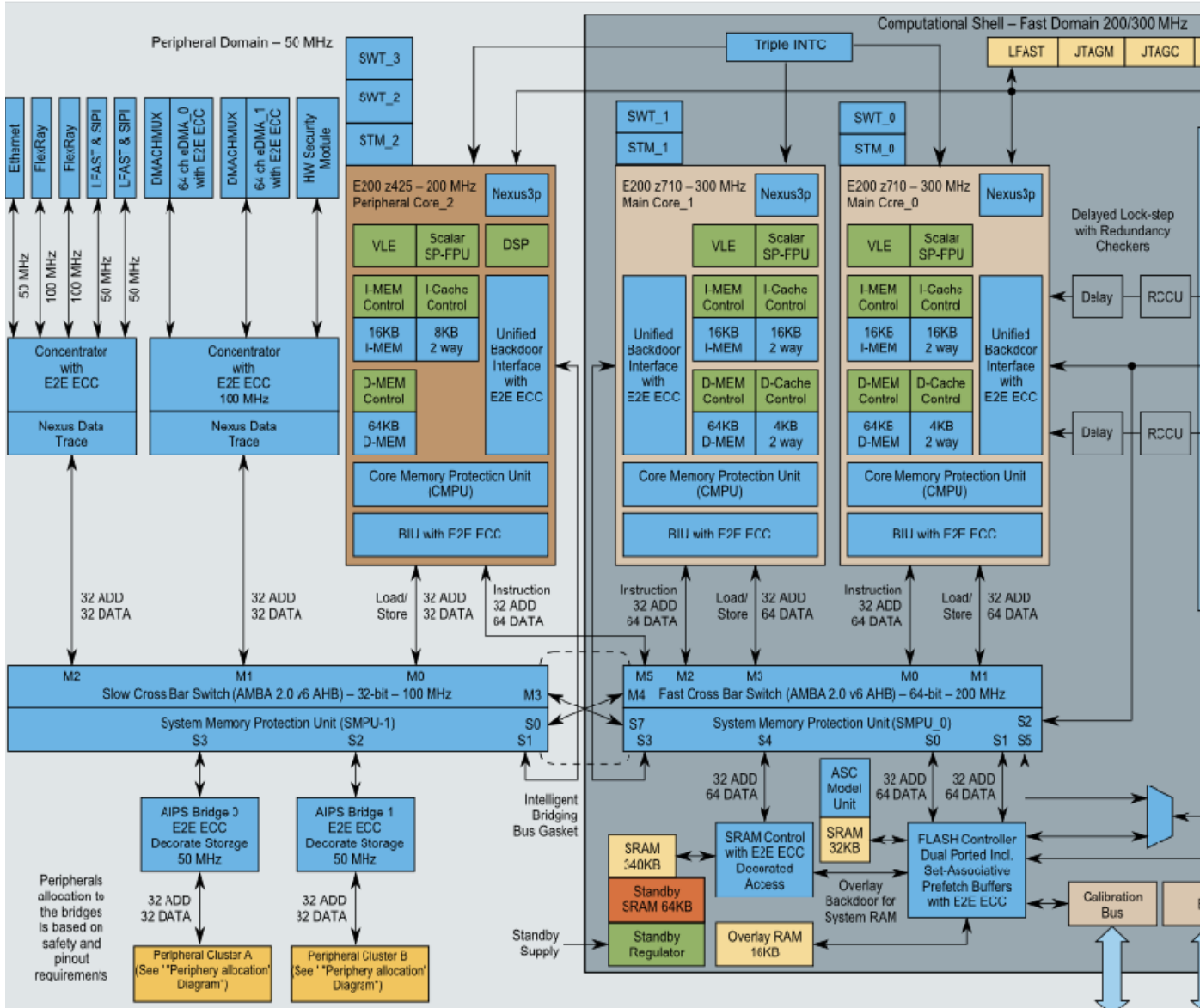


Figure 1. Block diagram



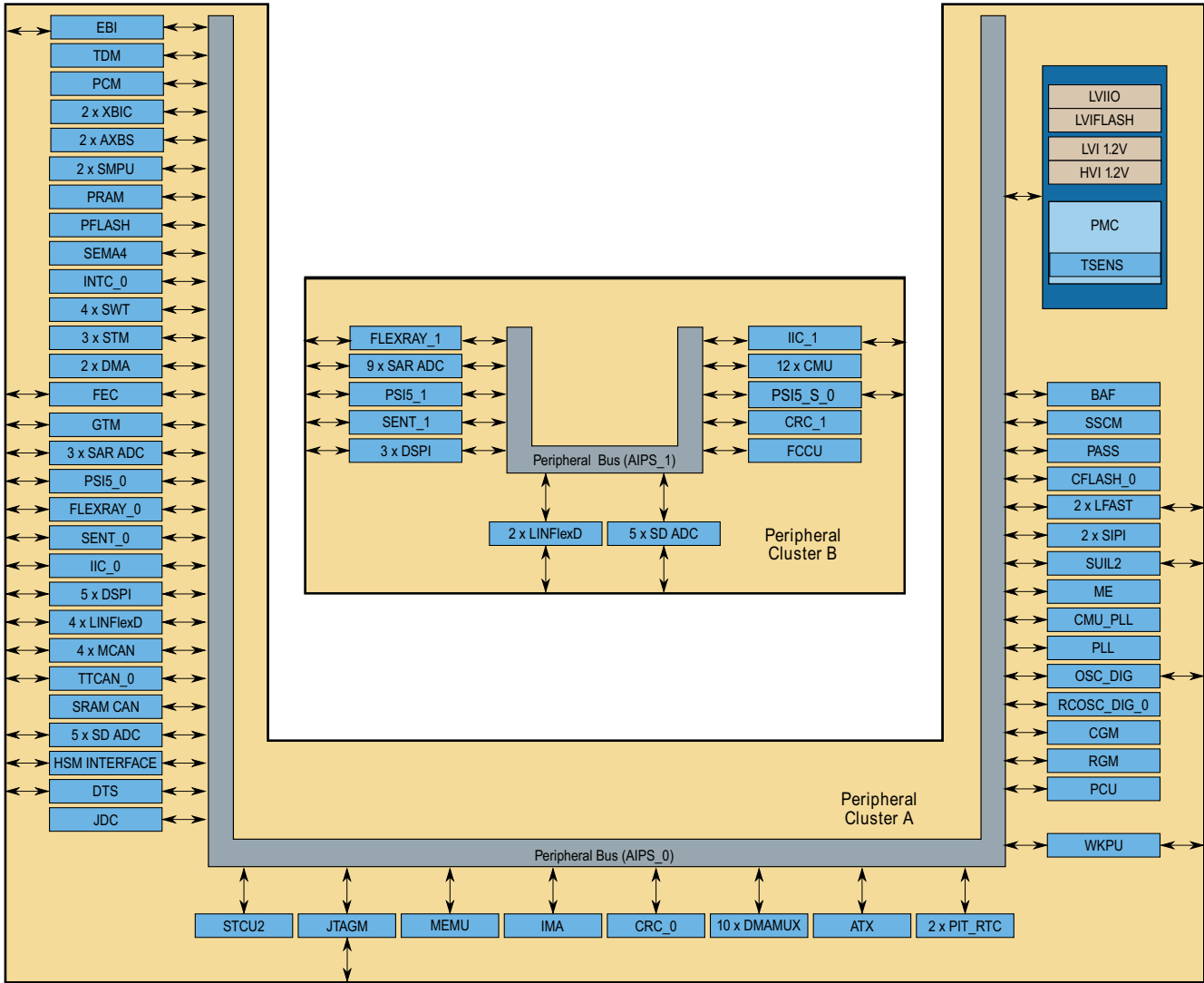


Figure 2. Peripheral allocation

## 2 Package pinouts and signal descriptions

See the MPC5777M Microcontroller Reference Manual for signal information.

## 2.1 Package pinouts

The BGA ballmap package pinouts for the 416 and 512 production and emulation devices are shown in the following figures.

	1	2	3	4	5	6	7	8	9	10	11	12	13	14	15	16	17	18	19	20	21	22
A	NC	PX[0]	PN[0]	PH[12]	PC[15]	PF[3]	PF[5]	PH[14]	PH[15]	PK[15]	PM[8]	PX[2]	PQ[14]	PH[9]	PQ[4]	PQ[10]	PQ[9]	VDD_HV_FL	PQ[3]	PH[0]	PA[0]	PA[4]
B	PD[15]	PD[14]	PM[15]	PH[13]	PC[13]	PM[11]	PM[10]	PF[4]	PM[3]	PK[14]	PM[7]	PQ[15]	PX[1]	PQ[7]	PQ[6]	PQ[11]	PQ[8]	VDD_HV_FL	PQ[5]	PM[9]	PA[12]	PORST
C	PC[7]	PL[2]	PM[14]	PM[12]	PC[10]	PC[14]	PM[2]	PM[0]	PM[1]	PM[6]	PM[4]	PQ[13]	PH[4]	PE[10]	PH[7]	PD[0]	PD[3]	PD[2]	PH[8]	PH[3]	PA[10]	PA[1]
D	PN[2]	PN[4]	PN[1]	PC[6]	PC[12]	PC[11]	VDD_HV_IO_FLEX	VSS_HV	VDD_LV	PE[12]	PM[5]	PH[10]	PE[11]	VDD_HV_PMC	VSS_HV	PH[1]	PD[1]	PA[13]	PG[15]	PH[2]	PA[11]	VDD_HV_IO_MAIN
E	PN[3]	PC[9]	PL[7]	PL[1]																		
F	PN[5]	PC[8]	PL[6]	PL[0]																		
G	PN[7]	PF[2]	PL[3]	PL[5]																		
H	PC[4]	PC[5]	PL[4]	VDD_LV																		
J	PN[9]	PN[6]	PC[3]	VSS_HV																		
K	PN[11]	PN[10]	PN[8]	VDD_HV_IO_MAIN						VSS_LV	VSS_LV	VSS_LV	VSS_LV	VSS_LV	VSS_LV	VSS_LV	VSS_LV	VSS_LV	VSS_LV	VSS_LV	VSS_LV	VSS_LV
L	PN[15]	PN[14]	PN[13]	PN[12]						VSS_LV	VSS_LV	VSS_LV	VSS_LV	VSS_LV	VSS_LV	VSS_LV	VSS_LV	VSS_LV	VSS_LV	VSS_LV	VSS_LV	VSS_LV
M	PE[0]	PC[0]	PC[1]	PC[2]						VSS_LV	VSS_LV	VSS_LV	VSS_LV	VSS_LV	VSS_LV	VSS_LV	VSS_LV	VSS_LV	VSS_LV	VSS_LV	VSS_LV	VSS_LV
N	PG[0]	PE[4]	PE[2]	PE[1]						VSS_LV	VSS_LV	VSS_LV	VSS_LV	VSS_LV	VSS_LV	VSS_LV	VSS_LV	VSS_LV	VSS_LV	VSS_LV	VSS_LV	VSS_LV
P	PI[9]	PI[8]	PQ[1]	PQ[2]						NC	VSS_LV	VSS_LV	VSS_LV	VSS_LV	VSS_LV	VSS_LV	VSS_LV	VSS_LV	VSS_LV	VSS_LV	VSS_LV	VSS_LV
R	NC	PQ[0]	PD[12]	NC						NC	VSS_LV	VSS_LV	VSS_LV	VSS_LV	VSS_LV	VSS_LV	VSS_LV	VSS_LV	VSS_LV	VSS_LV	VSS_LV	VSS_LV
T	PK[1]	PE[3]	PD[13]	VSS_HV						VSS_LV	VSS_LV	VSS_LV	VSS_LV	VSS_LV	VSS_LV	VSS_LV	VSS_LV	VSS_LV	VSS_LV	VSS_LV	VSS_LV	VSS_LV
U	PK[0]	PR[14]	PK[2]	PK[3]						NC	NC	NC	NC	NC	NC	NC	NC	NC	NC	NC	NC	NC
V	PR[15]	PR[12]	PB[13]	PB[12]																		
W	PR[13]	PR[10]	PI[1]	VDD_HV_ADR_D																		
Y	PR[11]	PR[8]	PI[0]	VSS_HV_ADR_D																		
AA	PR[9]	PI[5]	PE[13]	PR[6]																		
AB	PI[3]	PI[4]	PR[7]	PE[14]																		
AC	PI[2]	PD[11]	PG[8]	PE[15]	PB[0]	VSS_HV_ADR_D2	PG[6]	PB[6]	PL[9]	PL[10]	PI[13]	PF[1]	PL[14]	PA[15]	PD[10]	VDD_HV_IO_MAIN	PF[7]	VDD_HV_IO_FLEX	VSS_HV	VDD_LV	NC	VDD_HV_IO_FLEX
AD	PB[4]	PR[0]	PG[7]	PK[10]	PB[1]	VDD_HV_ADR_D2	PG[5]	PB[7]	VDDSTBY	PL[12]	PI[12]	PF[0]	PL[15]	PJ[6]	PB[11]	VDD_HV_IO_MAIN	PF[6]	PS[0]	PS[3]	PS[6]	PS[9]	PS[12]
AE	PR[1]	PI[7]	PG[12]	PB[2]	VDD_HV_ADV_D	PR[2]	PR[4]	VSS_HV_ADR_S	VDD_HV_ADV_S	PL[13]	PI[11]	PD[9]	PI[0]	PB[9]	PD[8]	VDD_HV_IO_MAIN	PI[7]	PS[1]	PS[4]	PS[7]	PS[10]	PS[13]
AF	NC	PI[6]	PG[11]	PB[3]	VSS_HV_ADV_D	PR[3]	PR[5]	VDD_HV_ADR_S	VSS_HV_ADV_S	PL[11]	PI[10]	PB[10]	PI[1]	PB[8]	PA[3]	VDD_HV_IO_MAIN	PI[5]	PS[2]	PS[5]	PS[8]	PS[11]	PT[0]

Figure 3. 416-ball BGA production device pinout (top view)

	1	2	3	4	5	6	7	8	9	10	11	12	13	14	15	16	17	18	19	20	21	22
A	NC	PX[0]	PN[0]	PH[12]	PC[15]	PF[3]	PF[5]	PH[14]	PH[15]	PK[15]	PM[8]	PX[2]	PQ[14]	PH[9]	PQ[4]	PQ[10]	PQ[9]	VDD_HV_FL	PQ[3]	PH[0]	PA[0]	PA[4]
B	PD[15]	PD[14]	PM[15]	PH[13]	PC[13]	PM[11]	PM[10]	PF[4]	PM[3]	PK[14]	PM[7]	PQ[15]	PX[1]	PQ[7]	PQ[6]	PQ[11]	PQ[8]	VDD_HV_FL	PQ[5]	PM[9]	PA[12]	PORST
C	PC[7]	PL[2]	PM[14]	PM[12]	PC[10]	PC[14]	PM[2]	PM[0]	PM[1]	PM[6]	PM[4]	PQ[13]	PH[4]	PE[10]	PH[7]	PD[0]	PD[3]	PD[2]	PH[8]	PH[3]	PA[10]	PA[1]
D	PN[2]	PN[4]	PN[1]	PC[6]	PC[12]	PC[11]	VDD_HV_IO_FLEX	VSS_HV	VDD_LV	PE[12]	PM[5]	PH[10]	PE[11]	VDD_HV_PMC	VSS_HV	PH[1]	PD[1]	PA[13]	PG[15]	PH[2]	PA[11]	VDD_HV_IO_MAIN
E	PN[3]	PC[9]	PL[7]	PL[1]																		
F	PN[5]	PC[8]	PL[6]	PL[0]																		
G	PN[7]	PF[2]	PL[3]	PL[5]																		
H	PC[4]	PC[5]	PL[4]	VDD_LV																		
J	PN[9]	PN[6]	PC[3]	VSS_HV																		
K	PN[11]	PN[10]	PN[8]	VDD_HV_IO_MAIN						VSS_LV	VSS_LV	VSS_LV	VSS_LV	VSS_LV	VSS_LV	VSS_LV	VSS_LV	VSS_LV	VSS_LV	VSS_LV	VSS_LV	VSS_LV
L	PN[15]	PN[14]	PN[13]	PN[12]						VSS_LV	VSS_LV	VSS_LV	VSS_LV	VSS_LV	VSS_LV	VSS_LV	VSS_LV	VSS_LV	VSS_LV	VSS_LV	VSS_LV	VSS_LV
M	PE[0]	PC[0]	PC[1]	PC[2]						VSS_LV	VSS_LV	VSS_LV	VSS_LV	VSS_LV	VSS_LV	VSS_LV	VSS_LV	VSS_LV	VSS_LV	VSS_LV	VSS_LV	VSS_LV
N	PG[0]	PE[4]	PE[2]	PE[1]						VSS_LV	VSS_LV	VSS_LV	VSS_LV	VSS_LV	VSS_LV	VSS_LV	VSS_LV	VSS_LV	VSS_LV	VSS_LV	VSS_LV	VSS_LV
P	PI[9]	PI[8]	PQ[1]	PQ[2]						TX3P	VSS_LV	VSS_LV	VSS_LV	VSS_LV	VSS_LV	VSS_LV	VSS_LV	VDD_HV_IO_BD	VSS_LV	VSS_LV	VSS_LV	VSS_LV
R	VDD_LV_BD	PQ[0]	PD[12]	VDD_LV_BD						TX3N	VSS_LV	VSS_LV	VSS_LV	VSS_LV	VSS_LV	VSS_LV	VSS_LV	NC	VSS_LV	VSS_LV	VSS_LV	VSS_LV
T	PK[1]	PE[3]	PD[13]	VSS_HV						VSS_LV	VSS_LV	VSS_LV	VSS_LV	VSS_LV	VSS_LV	VSS_LV	VSS_LV	VSS_LV	VSS_LV	VSS_LV	VSS_LV	VSS_LV
U	PK[0]	PR[14]	PK[2]	PK[3]						TX2N	TX2P	TX1N	TX1P	TX0N	TX0P	CLKN	CLKP	VSS_LV	VSS_LV	VSS_LV	VSS_LV	VSS_LV
V	PR[15]	PR[12]	PB[13]	PB[12]																		
W	PR[13]	PR[10]	PI[1]	VDD_HV_ADR_D																		
Y	PR[11]	PR[8]	PI[0]	VSS_HV_ADR_D																		
AA	PR[9]	PI[5]	PE[13]	PR[6]																		
AB	PI[3]	PI[4]	PR[7]	PE[14]																		
AC	PI[2]	PD[11]	PG[8]	PE[15]	PB[0]	VSS_HV_ADR_D2	PG[6]	PB[6]	PL[9]	PL[10]	PI[13]	PF[1]	PL[14]	PA[15]	PD[10]	VDD_HV_IO_MAIN	PF[7]	VDD_HV_IO_FLEX	VSS_HV	VDD_LV	NC	VDD_HV_IO_FLEX
AD	PB[4]	PR[0]	PG[7]	PK[10]	PB[1]	VDD_HV_ADR_D2	PG[5]	PB[7]	VDDSTBY	PL[12]	PI[12]	PF[0]	PL[15]	PJ[6]	PB[11]	VDD_HV_IO_MAIN	PF[6]	PS[0]	PS[3]	PS[6]	PS[9]	PS[12]
AE	PR[1]	PI[7]	PG[12]	PB[2]	VDD_HV_ADR_D	PR[2]	PR[4]	VSS_HV_ADR_S	VDD_HV_ADR_S	PL[13]	PI[11]	PD[9]	PJ[0]	PB[9]	PD[8]	VDD_HV_IO_MAIN	PJ[7]	PS[1]	PS[4]	PS[7]	PS[10]	PS[13]
AF	NC	PI[6]	PG[11]	PB[3]	VSS_HV_ADR_D	PR[3]	PR[5]	VDD_HV_ADR_S	VSS_HV_ADR_S	PL[11]	PI[10]	PB[10]	PJ[1]	PB[8]	PA[3]	VDD_HV_IO_MAIN	PJ[5]	PS[2]	PS[5]	PS[8]	PS[11]	PT[0]

Figure 4. 416-ball BGA emulation device pinout (top view)

MPC5777M Microcontroller Data Sheet, Rev. 6

	1	2	3	4	5	6	7	8	9	10	11	12	13	14	15	16	17	18	19	20	21	22	23	24	25	26	27	28	29	30	31	32	33	34	35	36	37	38	39	40	41	42	43	44	45	46	47	48	49	50	51	52	53	54	55	56	57	58	59	60	61	62	63	64	65	66	67	68	69	70	71	72	73	74	75	76	77	78	79	80	81	82	83	84	85	86	87	88	89	90	91	92	93	94	95	96	97	98	99	100	101	102	103	104	105	106	107	108	109	110	111	112	113	114	115	116	117	118	119	120	121	122	123	124	125	126	127	128	129	130	131	132	133	134	135	136	137	138	139	140	141	142	143	144	145	146	147	148	149	150	151	152	153	154	155	156	157	158	159	160	161	162	163	164	165	166	167	168	169	170	171	172	173	174	175	176	177	178	179	180	181	182	183	184	185	186	187	188	189	190	191	192	193	194	195	196	197	198	199	200	201	202	203	204	205	206	207	208	209	210	211	212	213	214	215	216	217	218	219	220	221	222	223	224	225	226	227	228	229	230	231	232	233	234	235	236	237	238	239	240	241	242	243	244	245	246	247	248	249	250	251	252	253	254	255	256	257	258	259	260	261	262	263	264	265	266	267	268	269	270	271	272	273	274	275	276	277	278	279	280	281	282	283	284	285	286	287	288	289	290	291	292	293	294	295	296	297	298	299	300	301	302	303	304	305	306	307	308	309	310	311	312	313	314	315	316	317	318	319	320	321	322	323	324	325	326	327	328	329	330	331	332	333	334	335	336	337	338	339	340	341	342	343	344	345	346	347	348	349	350	351	352	353	354	355	356	357	358	359	360	361	362	363	364	365	366	367	368	369	370	371	372	373	374	375	376	377	378	379	380	381	382	383	384	385	386	387	388	389	390	391	392	393	394	395	396	397	398	399	400	401	402	403	404	405	406	407	408	409	410	411	412	413	414	415	416	417	418	419	420	421	422	423	424	425	426	427	428	429	430	431	432	433	434	435	436	437	438	439	440	441	442	443	444	445	446	447	448	449	450	451	452	453	454	455	456	457	458	459	460	461	462	463	464	465	466	467	468	469	470	471	472	473	474	475	476	477	478	479	480	481	482	483	484	485	486	487	488	489	490	491	492	493	494	495	496	497	498	499	500	501	502	503	504	505	506	507	508	509	510	511	512
--	---	---	---	---	---	---	---	---	---	----	----	----	----	----	----	----	----	----	----	----	----	----	----	----	----	----	----	----	----	----	----	----	----	----	----	----	----	----	----	----	----	----	----	----	----	----	----	----	----	----	----	----	----	----	----	----	----	----	----	----	----	----	----	----	----	----	----	----	----	----	----	----	----	----	----	----	----	----	----	----	----	----	----	----	----	----	----	----	----	----	----	----	----	----	----	----	----	----	----	-----	-----	-----	-----	-----	-----	-----	-----	-----	-----	-----	-----	-----	-----	-----	-----	-----	-----	-----	-----	-----	-----	-----	-----	-----	-----	-----	-----	-----	-----	-----	-----	-----	-----	-----	-----	-----	-----	-----	-----	-----	-----	-----	-----	-----	-----	-----	-----	-----	-----	-----	-----	-----	-----	-----	-----	-----	-----	-----	-----	-----	-----	-----	-----	-----	-----	-----	-----	-----	-----	-----	-----	-----	-----	-----	-----	-----	-----	-----	-----	-----	-----	-----	-----	-----	-----	-----	-----	-----	-----	-----	-----	-----	-----	-----	-----	-----	-----	-----	-----	-----	-----	-----	-----	-----	-----	-----	-----	-----	-----	-----	-----	-----	-----	-----	-----	-----	-----	-----	-----	-----	-----	-----	-----	-----	-----	-----	-----	-----	-----	-----	-----	-----	-----	-----	-----	-----	-----	-----	-----	-----	-----	-----	-----	-----	-----	-----	-----	-----	-----	-----	-----	-----	-----	-----	-----	-----	-----	-----	-----	-----	-----	-----	-----	-----	-----	-----	-----	-----	-----	-----	-----	-----	-----	-----	-----	-----	-----	-----	-----	-----	-----	-----	-----	-----	-----	-----	-----	-----	-----	-----	-----	-----	-----	-----	-----	-----	-----	-----	-----	-----	-----	-----	-----	-----	-----	-----	-----	-----	-----	-----	-----	-----	-----	-----	-----	-----	-----	-----	-----	-----	-----	-----	-----	-----	-----	-----	-----	-----	-----	-----	-----	-----	-----	-----	-----	-----	-----	-----	-----	-----	-----	-----	-----	-----	-----	-----	-----	-----	-----	-----	-----	-----	-----	-----	-----	-----	-----	-----	-----	-----	-----	-----	-----	-----	-----	-----	-----	-----	-----	-----	-----	-----	-----	-----	-----	-----	-----	-----	-----	-----	-----	-----	-----	-----	-----	-----	-----	-----	-----	-----	-----	-----	-----	-----	-----	-----	-----	-----	-----	-----	-----	-----	-----	-----	-----	-----	-----	-----	-----	-----	-----	-----	-----	-----	-----	-----	-----	-----	-----	-----	-----	-----	-----	-----	-----	-----	-----	-----	-----	-----	-----	-----	-----	-----	-----	-----	-----	-----	-----	-----	-----	-----	-----	-----	-----	-----	-----	-----	-----	-----	-----	-----	-----	-----	-----	-----	-----	-----	-----	-----	-----	-----	-----	-----	-----	-----	-----	-----	-----	-----	-----	-----	-----	-----	-----	-----	-----	-----	-----	-----	-----	-----	-----	-----	-----	-----	-----	-----	-----	-----	-----	-----	-----	-----	-----	-----	-----	-----	-----	-----	-----	-----	-----	-----	-----	-----	-----	-----	-----	-----	-----	-----

Figure 5. 512-ball BGA production device pinout (top view)

	1	2	3	4	5	6	7	8	9	10	11	12	13	14	15	16	17	18	19	20	21	22	23	24	25	26
A		VDD_HV_IO_MAIN	NC	NC	PX[0]	PM[15]	PN[0]	NC	NC	NC	PX[4]	PX[3]	PX[1]	PQ[13]	PQ[11]	PQ[9]	NC	PQ[7]	PQ[5]	PQ[3]	NC	PX[11]	PX[9]	PX[7]	NC	NC
B	NC	VSS_HV	VDD_HV_IO_MAIN	NC	PM[14]	PM[13]	PM[12]	PM[11]	NC	NC	PX[2]	PQ[15]	PQ[14]	PQ[12]	PQ[10]	PQ[8]	NC	PQ[6]	PQ[4]	NC	NC	PX[10]	PX[8]	PX[6]	PX[5]	NC
C	NC	NC																								
D	NC	NC																								
E	NC	NC																								
F	PN[2]	PN[1]				VSS_HV	VDD_HV_IO_MAIN	PH[13]	PF[2]	PF[5]	PM[10]	PH[15]	PC[11]	PC[13]	PE[12]	PD[0]	PD[2]	PH[9]	PH[3]	PA[11]	PM[9]	PA[0]	PA[1]	VDD_HV_IO_MAIN	VSS_HV	
G	PN[4]	PN[3]				PD[14]	VSS_HV	VDD_HV_IO_MAIN	PH[12]	PF[3]	PH[14]	PF[4]	PC[10]	PC[12]	PC[15]	PD[1]	PD[3]	PH[4]	PE[10]	PE[11]	PA[10]	PA[13]	VDD_HV_IO_MAIN	VSS_HV	PA[2]	
H	NC	NC				PC[9]	PD[15]																PA[12]	PE[9]		
J	NC	PN[5]				PC[7]	PC[8]	VSS_HV	VDD_HV_IO_FLEX	PM[2]	PM[0]	PK[14]	PC[14]	PM[6]	PH[7]	PH[8]	PH[10]	PH[1]	PH[0]	VDD_HV_FL	VSS_HV		PD[5]	PE[8]		
K	PN[6]	PN[7]				PC[5]	PC[6]	PL[1]	VSS_HV	PM[3]	PM[1]	PK[15]	PM[4]	PM[5]	PM[7]	PM[8]	PH[2]	PG[15]	VDD_HV_FL	VSS_HV	PE[6]		PE[7]	PD[4]		
L	PN[8]	PN[9]				PC[3]	PC[4]	PL[2]	PL[0]												ESRO	PG[13]		PG[14]	PE[5]	
M	PN[11]	PN[10]				PC[2]	PC[1]	PL[3]	PL[4]			VDD_LV_BD	VSS_LV	VSS_LV	VSS_LV	VSS_LV	VDD_LV				PA[4]	PORST		PH[11]	PF[15]	
N	PN[13]	PN[12]				PC[0]	PE[0]	PL[6]	PL[5]			VDD_LV_BD	VSS_LV	VSS_LV	VSS_LV	VSS_LV	VSS_LV	VDD_LV			PA[9]	PA[8]		TESTMODE	PF[14]	
P	PN[15]	PN[14]				PE[1]	PE[2]	PD[12]	PL[7]			VSS_LV	VSS_LV		VSS_LV	VSS_LV		VSS_LV	VSS_LV		PA[6]	P[15]		PD[7]	PA[14]	
R	NC	NC				PD[13]	PE[4]	PE[3]	PG[0]			TX3P	VSS_LV	VSS_LV	VSS_LV	VSS_LV	VSS_LV	VSS_LV	VDD_HV_IO_BD		PA[7]	P[14]		PF[13]	PD[6]	
T	PL[8]	PQ[1]				PI[8]	PI[9]	PK[0]	PK[1]			TX3N	VSS_LV	VSS_LV	VSS_LV	VSS_LV	VSS_LV	VSS_LV	NC		PK[13]	PK[12]		PA[5]	VSS_HV_OSC	
U	PQ[2]	PQ[0]				PG[2]	PG[1]	PK[2]	PK[3]			VSS_LV	VSS_LV		VSS_LV	VSS_LV		VSS_LV	VSS_LV		PJ[15]	P[14]		XTAL	EXTAL	
V	NC	NC				PG[4]	PG[3]	PB[12]	PB[14]			VDD_LV	VSS_LV	VSS_LV	VSS_LV	VSS_LV		VSS_LV	VSS_LV		PJ[13]	P[12]		NC	VDD_HV_IO_ITAG	
W	PR[14]	PR[15]				PB[15]	PB[13]	PI[1]	PK[5]			VDD_LV	VSS_LV	TX2N	TX2P	VSS_LV	VDD_LV				PJ[10]	P[11]		PF[10]	PF[9]	
Y	PR[12]	PR[13]				PI[0]	PB[5]	PK[4]	PK[6]												PJ[8]	P[9]		PF[12]	PF[11]	
AA	PY[3]	PY[2]				VDD_HV_ADR_D	VSS_HV_ADR_D	PK[7]	PK[8]	PK[9]	PG[10]	PB[4]	PD[11]	PB[0]	VDDOSTBY	PL[10]	PL[12]	PL[14]	PJ[6]	VSS_HV	PH[6]		PJ[4]	PH[5]		
AB	PR[11]	PR[10]				PI[2]	PI[3]	NC	PG[7]	PK[11]	PK[10]	PE[14]	PB[3]	PB[1]	TX1N	TX1P	TX0N	TX0P	CLKN	CLKP	VSS_HV		PF[8]	PJ[3]		
AC	PY[1]	PY[0]				PI[4]	PI[5]																VDD_HV_IO_MAIN	PJ[2]		
AD	PR[8]	PR[9]				PG[5]	PG[6]	PI[6]	PI[7]	PG[8]	PG[9]	PG[11]	PE[15]	PB[2]	PI[13]	PI[11]	PF[1]	PD[9]	PB[11]	PB[9]	PA[3]	PF[7]	PA[15]	VSS_HV	VDD_HV_IO_MAIN	
AE	PX[15]	PX[14]				NC	PB[7]	PB[6]	VSS_HV_ADV_S	VDD_HV_ADV_S	VDD_HV_ADR_S	VSS_HV_ADR_S	PG[12]	PE[13]	PI[12]	PI[10]	PF[0]	PD[10]	PB[10]	PB[8]	PD[8]	PF[6]	PI[0]	PI[1]	VSS_HV	
AF	PR[6]	PR[7]																								
AG	VDD_HV_ADR_D2	VSS_HV_ADR_D2																								
AH	NC	NC																								
AJ	NC	NC	NC	PR[4]	PR[2]	PX[12]	PR[1]	VSS_HV_ADV_S	VDD_HV_ADV_S	VSS_HV	VDD_HV_IO_FLEX	PS[0]	PS[2]	PS[4]	PS[6]	PS[8]	PS[10]	PS[12]	PS[14]	NC	PT[0]	PT[2]	PT[4]	PT[6]	PT[8]	PT[10]
AK	NC	NC	NC	PR[5]	PR[3]	PX[13]	PR[0]	VSS_HV_ADV_D	VDD_HV_ADV_D	VSS_HV	VDD_HV_IO_FLEX	PS[1]	PS[3]	PS[5]	PS[7]	PS[9]	PS[11]	PS[13]	PS[15]	VDD_HV_IO_FLEX	PT[1]	PT[3]	PT[5]	PT[7]	PT[9]	PT[11]

Figure 6. 512-ball BGA emulation device pinout (top view)

## 2.2 Pin/ball descriptions

The following sections provide signal descriptions and related information about device functionality and configuration.

### 2.2.1 Power supply and reference voltage pins/balls

Table 2 contains information on power supply and reference pin functions for the devices.

#### NOTE

All ground supplies must be tied to ground. They can NOT float.

**Table 2. Power supply and reference pins**

Supply			BGA ball			
Symbol	Type	Description	416PD	416ED	512PD	512ED
V <sub>SS_HV</sub>	Ground	High voltage ground	A26, B25, C24, D23, D15, D8, J4, L23, R23, T4, W23, AC23, AC19		B2, B29, B30, F6, F25, G7, G24, H29, H30, J9, J22, K10, K21, V29, AA21, AB22, AD24, AE25, AJ10, AJ29, AK10	
V <sub>SS_LV</sub>	Ground	Low voltage ground	K10, K11, K12, K13, K14, K15, K16, K17, L10, L11, L12, L13, L14, L15, L16, L17, M10, M11, M12, M13, M14, M15, M16, M17, N10, N11, N12, N13, N14, N15, N16, N17, P11, P12, P13, P14, P15, P16, R11, R12, R13, R14, R15, R16, T10, T11, T12, T13, T14, T15, T16, T17		M14, M15, M16, M17, N14, N15, N16, N17, P12, P13, P15, P16, P18, P19, R13, R14, R15, R16, R17, R18, T13, T14, T15, T16, T17, T18, U12, U13, U15, U16, U18, U19, V14, V15, V16, V17, W14, W17	
V <sub>DD_LV</sub>	Power	Low voltage power supply for production device (PLL is also powered by this pin.)	B26, C25, D9, D24, E23, H4, P23, V23, AB23, AC20		M18, N19, V12, V19, W13, W18	
V <sub>DD_LV_BD</sub>	Power	Low voltage power supply for buddy die	—	R1, R4	—	M13, N12
V <sub>DD_HV_PMC</sub>	Power	High voltage power supply for internal power management unit	D14		—	
V <sub>DD_HV_IO_MAIN</sub>	Power	High voltage power supply for I/O	A25, B24, C23, D22, K4, AC16, AD16, AE16, AF16		A2, A29, B3, B28, F7, F24, G8, G23, AC24, AD25, AH29, AJ30	
V <sub>DD_HV_IO_BD</sub>	Power	High voltage power supply for buddy die I/O	—	P17	—	R19
V <sub>SS_HV_OSC</sub>	Ground	Oscillator ground supply	F25		T25	
V <sub>DD_HV_JTAG</sub>	Power	JTAG/Oscillator power supply	E26		V25	

Table 2. Power supply and reference pins (continued)

Supply			BGA ball			
Symbol	Type	Description	416PD	416ED	512PD	512ED
V <sub>DD_HV_IO_FLEX</sub>	Power	FlexRay/Ethernet 3.3 V I/O supply	D7		J10	
V <sub>DD_HV_IO_FLEXE</sub>	Power	FLexRay/Ethernet/EBI I/O Segment Voltage Supply	AC18, AC22		AJ11, AK11, AK20, AK29	
V <sub>DD_HV_IO_EBI</sub>	Power	EBI Address/Control I/O Segment Voltage Supply	M23, T23, Y23		J29, J30, V30, AH30	
V <sub>DD_HV_FL A</sub>	Power	Decoupling supply pin for flash	A18, B18		J21, K20	
V <sub>SS_HV_ADV_S</sub>	Ground	Ground supply for ADC SAR	AF9		AE9, AJ8	
V <sub>DD_HV_ADV_S</sub>	Power	Voltage supply for ADC SAR	AE9		AE10, AJ9	
V <sub>SS_HV_ADV_D</sub>	Ground	Ground supply for ADC SD	AF5		AK8	
V <sub>DD_HV_ADV_D</sub>	Power	Voltage supply for ADC SD	AE5		AK9	
V <sub>SS_HV_ADR_S</sub>	Reference	Ground reference for ADC SAR	AE8		AE12	
V <sub>DD_HV_ADR_S</sub>	Reference	Voltage reference for ADC SAR	AF8		AE11	
V <sub>SS_HV_ADR_D</sub>	Reference	Ground reference for ADC SD	Y4, AC6		AA7	
V <sub>DD_HV_ADR_D</sub>	Reference	Voltage reference for ADC SD	W4, AD6		AA6	
V <sub>DDSTBY</sub>	Power	Standby RAM supply	AD9		AA16	

## 2.2.2 System pins/balls

Table 3 contains information on system pin functions for the devices.

Table 3. System pins

Symbol	Description	Direction	BGA ball			
			416PD	416ED	512PD	512ED
PORST	Power on reset with Schmitt trigger characteristics and noise filter. PORST is active low	Bidirectional	B22		M22	
ESR0	External functional reset with Schmitt trigger characteristics and noise filter. ESR0 is active low	Bidirectional	A23		L21	
TESTMODE	Pin for testing purpose only. TESTMODE pull-down is implemented to prevent the device from entering TESTMODE. It is recommended to connect the TESTMODE pin to VSS_HV_IO on the board. The value of the TESTMODE pin is latched at the negation of reset and has no affect afterward. <b>Note:</b> The device will not exit reset with the TESTMODE pin asserted during power-up.	Input only	B23		N24	

**Table 3. System pins (continued)**

Symbol	Description	Direction	BGA ball			
			416PD	416ED	512PD	512ED
XTAL	Analog output of the oscillator amplifier circuit needs to be grounded if oscillator is used in bypass mode.	Output	G25		U24	
EXTAL	Analog input of the oscillator amplifier circuit when oscillator is not in bypass mode Analog input for the clock generator when oscillator is in bypass mode	Input	G26		U25	

### 2.2.3 LVDS pins/balls

The following table contains information on LVDS pin functions for the devices.

**Table 4. LVDS pin descriptions**

Functional block	Port pin	Signal	Signal description	Direction	BGA ball (416 PD, 416 ED)	BGA ball (512 PD, 512 ED)
SIPI / LFAST <sup>1</sup>	PA[14]	SIPI_TXP	Interprocessor Bus LFAST, LVDS Transmit Positive Terminal	O	C26	P25
	PD[6]	SIPI_TXN	Interprocessor Bus LFAST, LVDS Transmit Negative Terminal	O	D26	R25
	PD[7]	SIPI_RXP	Interprocessor Bus LFAST, LVDS Receive Positive Terminal	I	G23	P24
	PF[13]	SIPI_RXN	Interprocessor Bus LFAST, LVDS Receive Negative Terminal	I	H23	R24
High-Speed Debug (HSD) / LFAST <sup>1,2</sup>	PA[7]	DEBUG_TXP	Debug LFAST, LVDS Transmit Positive Terminal	O	F24	R21
	PA[8]	DEBUG_TXN	Debug LFAST, LVDS Transmit Negative Terminal	O	E25	N22
	PA[9]	DEBUG_RXP	Debug LFAST, LVDS Receive Positive Terminal	I	D25	N21
	PA[5]	DEBUG_RXN	Debug LFAST, LVDS Receive Negative Terminal	I	F23	T24



Table 4. LVDS pin descriptions (continued)

Functional block	Port pin	Signal	Signal description	Direction	BGA ball (416 PD, 416 ED)	BGA ball (512 PD, 512 ED)
DSPI 4 Microsecond Bus	PD[2]	SCK_P	DSPI 4 Microsecond Bus Serial Clock, LVDS Positive Terminal	O	C18	F17
	PD[3]	SCK_N	DSPI 4 Microsecond Bus Serial Clock, LVDS Negative Terminal	O	C17	G17
	PD[0]	SOUT_P	DSPI 4 Microsecond Bus Serial Data, LVDS Positive Terminal	O	C16	F16
	PD[1]	SOUT_N	DSPI 4 Microsecond Bus Serial Data, LVDS Negative Terminal	O	D17	G16
DSPI 5 Microsecond Bus	PF[10]	SCK_P	DSPI 5 Microsecond Bus Serial Clock, LVDS Positive Terminal	O	J24	W24
	PF[9]	SCK_N	DSPI 5 Microsecond Bus Serial Clock, LVDS Negative Terminal	O	K23	W25
	PF[12]	SOUT_P	DSPI 5 Microsecond Bus Serial Data, LVDS Positive Terminal	O	J26	Y24
	PF[11]	SOUT_N	DSPI 5 Microsecond Bus Serial Data, LVDS Negative Terminal	O	J25	Y25
DSPI 6 Microsecond Bus	PQ[9]	SCK_P	DSPI 6 Microsecond Bus Serial Clock, LVDS Positive Terminal	O	A17	A16
	PQ[8]	SCK_N	DSPI 6 Microsecond Bus Serial Clock, LVDS Negative Terminal	O	B17	B16
	PQ[11]	SOUT_P	DSPI 6 Microsecond Bus Serial Data, LVDS Positive Terminal	O	B16	A15
	PQ[10]	SOUT_N	DSPI 6 Microsecond Bus Serial Data, LVDS Negative Terminal	O	A16	B15

Table 4. LVDS pin descriptions (continued)

Functional block	Port pin	Signal	Signal description	Direction	BGA ball (416 PD, 416 ED)	BGA ball (512 PD, 512 ED)
Differential DSPI 2	PD[2]	SCK_P	Differential DSPI 2 Clock, LVDS Positive Terminal	O	C18	F17
	PD[3]	SCK_N	Differential DSPI 2 Clock, LVDS Negative Terminal	O	C17	G17
	PD[0]	SOUT_P	Differential DSPI 2 Serial Output, LVDS Positive Terminal	O	C16	F16
	PD[1]	SOUT_N	Differential DSPI 2 Serial Output, LVDS Negative Terminal	O	D17	G16
	PD[7]	SIN_P	Differential DSPI 2 Serial Input, LVDS Positive Terminal	I	G23	P24
	PF[13]	SIN_N	Differential DSPI 2 Serial Input, LVDS Negative Terminal	I	H23	R24
Differential DSPI 5	PF[10]	SCK_P	Differential DSPI 5 Clock, LVDS Positive Terminal	O	J24	W24
	PF[9]	SCK_N	Differential DSPI 5 Clock, LVDS Negative Terminal	O	K23	W25
	PF[12]	SOUT_P	Differential DSPI 5 Serial Output, LVDS Positive Terminal	O	J26	Y24
	PF[11]	SOUT_N	Differential DSPI 5 Serial Output, LVDS Negative Terminal	O	J25	Y25
	PD[7]	SIN_P	Differential DSPI 5 Serial Input, LVDS Positive Terminal	I	G23	P24
	PF[13]	SIN_N	Differential DSPI 5 Serial Input, LVDS Negative Terminal	I	H23	R24
	PI[15]	SIN_P	Differential DSPI 5 Serial Input, LVDS Positive Terminal	I	G24	P22
	PI[14]	SIN_N	Differential DSPI 5 Serial Input, LVDS Negative Terminal	I	J23	R22

<sup>1</sup> DRCLK and TCK/DRCLK usage for SIPI LFAST and Debug LFAST are described in the *MPC5777M Microcontroller Reference Manual* SIPI LFAST and Debug LFAST chapters.

<sup>2</sup> Pads use special enable signal form DCI block: DCI driven enable for Debug LFAST pads is transparent to user.

Table 5. Aurora pin descriptions

Functional Block	PAD	Signal	Signal Description	Direction	BGA			
					416PD	416ED	512PD	512ED
Nexus Aurora High Speed Trace	—	TX0P	Nexus Aurora High Speed Trace Lane 0, LVDS Positive Terminal	O	—	U15	—	AB19
	—	TX0N	Nexus Aurora High Speed Trace Lane 0, LVDS Negative Terminal	O	—	U14	—	AB18
	—	TX1P	Nexus Aurora High Speed Trace Lane 1, LVDS Positive Terminal	O	—	U13	—	AB17
	—	TX1N	Nexus Aurora High Speed Trace Lane 1, LVDS Negative Terminal	O	—	U12	—	AB16
	—	TX2P	Nexus Aurora High Speed Trace Lane 2, LVDS Positive Terminal	O	—	U11	—	W16
	—	TX2N	Nexus Aurora High Speed Trace Lane 2, LVDS Negative Terminal	O	—	U10	—	W15
	—	TX3P	Nexus Aurora High Speed Trace Lane 3, LVDS Positive Terminal	O	—	P10	—	R12
	—	TX3N	Nexus Aurora High Speed Trace Lane 3, LVDS Negative Terminal	O	—	R10	—	T12
	—	CLKP (BD-AGB TCLKP)	Nexus Aurora High Speed Trace Clock, LVDS Positive Terminal	I	—	U17	—	AB21
	—	CLKN (BD-AGB TCLKN)	Nexus Aurora High Speed Trace Clock, LVDS Negative Terminal	I	—	U16	—	AB20

## 3 Electrical characteristics

### 3.1 Introduction

This section contains detailed information on power considerations, DC/AC electrical characteristics, and AC timing specifications.

In the tables where the device logic provides signals with their respective timing characteristics, the symbol “CC” (Controller Characteristics) is included in the “Symbol” column.

In the tables where the external system must provide signals with their respective timing characteristics to the device, the symbol “SR” (System Requirement) is included in the “Symbol” column.

#### NOTE

Within this document,  $V_{DD\_HV\_IO}$  refers to supply pins  $V_{DD\_HV\_IO\_MAIN}$ ,  $V_{DD\_HV\_IO\_JTAG}$ ,  $V_{DD\_HV\_IO\_FLEX}$ ,  $V_{DD\_HV\_IO\_FLEXE}$ ,  $V_{DD\_HV\_IO\_EBI}$ , and  $V_{DD\_HV\_FLA}$ .  $V_{DD\_HV\_ADV}$  refers to ADC supply pins  $V_{DD\_HV\_ADV\_S}$  and  $V_{DD\_HV\_ADV\_D}$ .  $V_{DD\_HV\_ADR}$  refers to ADC reference pins  $V_{DD\_HV\_ADR\_S}$  and  $V_{DD\_HV\_ADR\_D}$ .  $V_{SS\_HV\_ADV}$  refers to ADC ground pins  $V_{SS\_HV\_ADV\_S}$  and  $V_{SS\_HV\_ADV\_D}$ .  $V_{SS\_HV\_ADR}$  refers to ADC reference pins  $V_{SS\_HV\_ADR\_S}$  and  $V_{SS\_HV\_ADR\_D}$ .

### 3.2 Absolute maximum ratings

Table 6 describes the maximum ratings of the device.

Table 6. Absolute maximum ratings<sup>1</sup>

Symbol	Parameter	Conditions	Value		Unit
			Min	Max	
Cycle	SR Lifetime power cycles	—	—	1000 k	—
$V_{DD\_LV}$	SR 1.2 V core supply voltage <sup>2,3,4</sup>	—	-0.3	1.5	V
$V_{DD\_LV\_BD}$	SR Emulation module voltage <sup>2,3,4</sup>	—	-0.3	1.5	V
$V_{DD\_HV\_IO}$	SR I/O supply voltage <sup>5,6</sup>	—	-0.3	6.0	V
$V_{DD\_HV\_PMC}$	SR Power Management Controller supply voltage <sup>5</sup>	—	-0.3	6.0	V
$V_{DD\_HV\_FLA}$	SR Flash core voltage <sup>7</sup>	—	-0.3	4.5	V
$V_{DDSTBY}$	SR RAM standby supply voltage <sup>5</sup>	—	-0.3	6.0	V
$V_{SS\_HV\_ADV}$ <sup>8</sup>	SR SAR and S/D ADC ground voltage	Reference to $V_{SS\_HV}$	-0.3	0.3	V
$V_{DD\_HV\_ADV}$ <sup>9</sup>	SR SAR and S/D ADC supply voltage	Reference to corresponding $V_{SS\_HV\_ADV}$	-0.3	6.0	V
$V_{SS\_HV\_ADR}$ <sup>10</sup>	SR SAR and S/D ADC low reference	Reference to $V_{SS\_HV}$	-0.3	0.3	V
$V_{DD\_HV\_ADR}$ <sup>11</sup>	SR SAR and S/D ADC high reference	Reference to corresponding $V_{SS\_HV\_ADR}$	-0.3	6.0	V
$V_{DD\_HV\_IO\_JTAG}$	SR Crystal oscillator, FEC MDIO/MDC, LFAST, JTAG <sup>5</sup>	Reference to $V_{SS\_HV}$	-0.3	6.0	V

Table 6. Absolute maximum ratings<sup>1</sup> (continued)

Symbol	Parameter	Conditions	Value		Unit
			Min	Max	
V <sub>DD_HV_IO_EBI</sub>	SR External Bus Interface supply voltage	—	-0.3	6.0	V
V <sub>DD_LV_BD</sub> - V <sub>DD_LV</sub>	SR Emulation module supply differential to 1.2 V core supply	—	-0.3	1.5	V
V <sub>IN</sub>	SR I/O input voltage range <sup>12</sup>	—	-0.3	6.0	V
		Relative to V <sub>SS_HV_IO</sub> <sup>13,14</sup>	-0.3	—	
		Relative to V <sub>DD_HV_IO</sub> <sup>13,14</sup>	—	0.3	
I <sub>INJD</sub>	SR Maximum DC injection current for digital pad	Per pin, applies to all digital pins	-5	5	mA
I <sub>INJA</sub>	SR Maximum DC injection current for analog pad	Per pin, applies to all analog pins	-5	5	mA
I <sub>MAXD</sub>	SR Maximum output DC current when driven	Medium	-7	8	mA
		Strong	-10	10	
		Very strong	-11	11	
I <sub>MAXSEG</sub>	SR Maximum current per power segment <sup>15</sup>	—	-90	90	mA
T <sub>STG</sub>	SR Storage temperature range and non-operating times	—	-55	175	°C
STORAGE	SR Maximum storage time, assembled part programmed in ECU	No supply; storage temperature in range -40 °C to 60 °C	—	20	years
T <sub>SDR</sub>	SR Maximum solder temperature <sup>16</sup> Pb-free package	—	—	260	°C
MSL	SR Moisture sensitivity level <sup>17</sup>	—	—	3	—
t <sub>XRAY</sub>	SR X-ray screen time <sup>18</sup>	At 160 KeV at max 5 mm	—	3	min

<sup>1</sup> Functional operating conditions are given in the DC electrical specifications. Absolute maximum ratings are stress ratings only, and functional operation at the maxima is not guaranteed. Stress beyond the listed maxima may affect device reliability or cause permanent damage to the device.

<sup>2</sup> Allowed 1.45 – 1.5 V for 60 seconds cumulative time at maximum T<sub>J</sub> = 150 °C, remaining time as defined in note 3 and note 4

<sup>3</sup> Allowed 1.38– 1.45 V– for 10 hours cumulative time at maximum T<sub>J</sub> = 150 °C, remaining time as defined in note 4

<sup>4</sup> 1.32 – 1.38 V range allowed periodically for supply with sinusoidal shape and average supply value below 1.326 V at maximum T<sub>J</sub> = 150 °C.

<sup>5</sup> Allowed 5.5–6.0 V for 60 seconds cumulative time with no restrictions, for 10 hours cumulative time device in reset, T<sub>J</sub> = 150 °C, remaining time at or below 5.5 V.

<sup>6</sup> V<sub>DD\_HV\_IO</sub> applies to V<sub>DD\_HV\_IO\_MAIN</sub>, V<sub>DD\_HV\_IO\_FLEX</sub>, V<sub>DD\_HV\_IO\_FLEXE</sub>, V<sub>DD\_HV\_IO\_JTAG</sub> and V<sub>DD\_HV\_IO\_EBI</sub> I/O power supplies.

<sup>7</sup> Allowed 3.6–4.5 V for 60 seconds cumulative time with no restrictions, for 10 hours cumulative time device in reset, T<sub>J</sub> = 150 °C, remaining time at or below 3.6 V.

<sup>8</sup> Includes ADC grounds V<sub>SS\_HV\_ADV\_S</sub> and V<sub>SS\_HV\_ADV\_D</sub>.

## Electrical characteristics

- <sup>9</sup> Includes ADC supplies  $V_{DD\_HV\_ADV\_S}$  and  $V_{DD\_HV\_ADV\_D}$ .  $V_{DD\_HV\_ADV\_S}$  is also the supply for the device temperature sensor, RCOSC, and bandgap reference.
- <sup>10</sup> Includes ADC low references  $V_{SS\_HV\_ADR\_S}$  and  $V_{SS\_HV\_ADR\_D}$ .
- <sup>11</sup> Includes ADC high references  $V_{DD\_HV\_ADR\_S}$  and  $V_{DD\_HV\_ADR\_D}$ .
- <sup>12</sup> The maximum input voltage on an I/O pin tracks with the associated I/O supply maximum. For the injection current condition on a pin, the voltage equals the supply plus the voltage drop across the internal ESD diode from I/O pin to supply. The diode voltage varies significantly across process and temperature, but a value of 0.3V can be used for nominal calculations.
- <sup>13</sup>  $V_{DD\_HV\_IO}/V_{SS\_HV\_IO}$  refers to supply pins and corresponding grounds:  $V_{DD\_HV\_IO\_MAIN}$ ,  $V_{DD\_HV\_IO\_FLEX}$ ,  $V_{DD\_HV\_IO\_JTAG}$ ,  $V_{DD\_HV\_OSC}$ ,  $V_{DD\_HV\_FLA}$ .
- <sup>14</sup> Relative value can be exceeded if design measures are taken to ensure injection current limitation (parameters  $I_{INJD}$  and  $I_{INJA}$ ).
- <sup>15</sup> Sum of all controller pins (including both digital and analog) must not exceed 200 mA. A  $V_{DD\_HV\_IO}$  power segment is defined as one or more GPIO pins located between two  $V_{DD\_HV\_IO}$  supply pins.
- <sup>16</sup> Solder profile per IPC/JEDEC J-STD-020D
- <sup>17</sup> Moisture sensitivity per JEDEC test method A112
- <sup>18</sup> Three Screen done, 1 minute each. No change in device parameters during characterization of at least 10 devices at 30 minutes exposure of 150 KeV at maximum 5 mm.

## 3.3 Electrostatic discharge (ESD)

The following table describes the ESD ratings of the device.

**Table 7. ESD ratings<sup>1,2</sup>**

Parameter	Conditions	Value	Unit
ESD for Human Body Model (HBM) <sup>3</sup>	All pins	2000	V
ESD for field induced Charged Device Model (CDM) <sup>4</sup>	All pins	500	V

<sup>1</sup> All ESD testing is in conformity with CDF-AEC-Q100 Stress Test Qualification for Automotive Grade Integrated Circuits.

<sup>2</sup> Device failure is defined as: "If after exposure to ESD pulses, the device does not meet the device specification requirements, which includes the complete DC parametric and functional testing at room temperature and hot temperature. Maximum DC parametrics variation within 10% of maximum specification"

<sup>3</sup> This parameter tested in conformity with ANSI/ESD STM5.1-2007 Electrostatic Discharge Sensitivity Testing

<sup>4</sup> This parameter tested in conformity with ANSI/ESD STM5.3-1990 Charged Device Model - Component Level

## 3.4 Operating conditions

The following table describes the operating conditions for the device for which all specifications in the data sheet are valid, except where explicitly noted.

The device operating conditions must not be exceeded or the functionality of the device is not guaranteed.

**Table 8. Device operating conditions<sup>1</sup>**

Symbol	Parameter	Conditions	Value			Unit
			Min	Typ	Max	
<b>Frequency</b>						
$f_{SYS}$	SR Device operating frequency <sup>2</sup>	$T_J = -40\text{ °C to }150\text{ °C}$	—	—	300	MHz

Table 8. Device operating conditions<sup>1</sup> (continued)

Symbol	Parameter	Conditions	Value			Unit	
			Min	Typ	Max		
<b>Temperature</b>							
T <sub>J</sub>	SR	Operating temperature range - junction	—	−40.0	—	150.0	°C
T <sub>A</sub> (T <sub>L</sub> to T <sub>H</sub> )	SR	Ambient operating temperature range	—	−40.0	—	125.0	°C
<b>Voltage</b>							
V <sub>DD_LV</sub>	SR	External core supply voltage <sup>3,4</sup>	LVD/HVD enabled	1.24	—	1.38 <sup>5</sup>	V
			LVD/HVD disabled <sup>6,7,8,9</sup>	1.19	—	1.38 <sup>5</sup>	
V <sub>DD_HV_IO_MAIN</sub> <sup>10,11</sup>	SR	I/O supply voltage	LVD400/HVD600 enabled <sup>18</sup>	4.5	—	5.5 <sup>12</sup>	V
			LVD400/HVD600 disabled <sup>6,13,14,15,18</sup>	4.2	—	5.5	
			LVD360/HVD600 disabled <sup>6,13,14,16,17,18</sup>	3.0	—	5.5	
V <sub>DD_HV_IO_JTAG</sub>	SR	JTAG I/O supply voltage <sup>6,19</sup>	5 V range	4.5	—	5.5	V
			3.3 V range	3.0	—	3.6	
V <sub>DD_HV_IO_FLEX</sub>	SR	FlexRay I/O supply voltage	5 V range	4.5	—	5.5	V
			3.3 V range	3.0	—	3.6	
V <sub>DD_HV_IO_FLEXE</sub>	SR	FlexRay/EBI I/O supply voltage	5 V range	4.5	—	5.5	V
			3.3 V range	3.0	—	3.6	
V <sub>DD_HV_IO_EBI</sub>	SR	External Bus Interface supply voltage	5 V range	4.5	—	5.5	V
			3.3 V range	3.0	—	3.6	
V <sub>DD_HV_OSC</sub>	SR	Oscillator supply voltage <sup>6,20</sup>	5 V range	4.5	—	5.5	V
			3.3 V range	3.0	—	3.6	
V <sub>DD_HV_PMC</sub> <sup>21</sup>	SR	Power Management Controller (PMC) supply voltage	Full functionality <sup>22,23</sup>	3.5 <sup>24,25</sup>	—	5.5	V
			Reduced internal regulator output capability <sup>26</sup>	3.15	—	3.5	
			Supply monitoring activity only (LVD/HVD)	3.0	—	3.15	
V <sub>DDSTBY</sub>	SR	RAM standby supply voltage <sup>27,28,29</sup>	—	1.1	—	5.5	V
V <sub>DD_HV_ADV</sub>	SR	SARADC, SDADC, Temperature Sensor, and Bandgap Reference supply voltage	LVD400 enabled	4.5	—	5.5	V
			LVD400 disabled <sup>30,31,34</sup>	4.0	—	5.5 <sup>32</sup>	
			LVD300 disabled <sup>6,30,31,33,34</sup>	3.7	—	5.5 <sup>32</sup>	

Table 8. Device operating conditions<sup>1</sup> (continued)

Symbol	Parameter	Conditions	Value			Unit	
			Min	Typ	Max		
$V_{DD\_HV\_ADR\_D}$	SR	SD ADC supply reference voltage	Reduced SNR	3.0	$V_{DD\_HV\_ADV\_D}$	4.5	V
			Full SNR	4.5		5.5 <sup>32</sup>	
$V_{DD\_HV\_ADR\_D} - V_{DD\_HV\_ADV\_D}$	SR	SD ADC reference differential voltage	—	—	—	25	mV
$V_{SS\_HV\_ADR\_D}$	SR	SD ADC ground reference voltage	—	$V_{SS\_HV\_ADV\_D}$			V
$V_{SS\_HV\_ADR\_D} - V_{SS\_HV\_ADV\_D}$	SR	$V_{SS\_HV\_ADR\_D}$ differential voltage	—	-25	—	25	mV
$V_{DD\_HV\_ADR\_S}$ <sup>35</sup>	SR	SARADC reference	—	2.0	$V_{DD\_HV\_ADV\_S}$	4.0	V
			—	4.0		5.5 <sup>32</sup>	
$V_{SS\_HV\_ADR\_S}$	SR	SAR ADC ground reference voltage	—	$V_{SS\_HV\_ADV\_S}$			V
$V_{DD\_HV\_ADR\_S} - V_{DD\_HV\_ADV\_S}$	SR	SARADC reference differential voltage	—	—	—	25	mV
$V_{SS\_HV\_ADR\_S} - V_{SS\_HV\_ADV\_S}$	SR	$V_{SS\_HV\_ADR\_S}$ differential voltage	—	-25	—	25	mV
$V_{SS\_HV\_ADV} - V_{SS}$	SR	$V_{SS\_HV\_ADV}$ differential voltage	—	-25	—	25	mV
$V_{RAMP\_LV}$	SR	Slew rate on core power supply pins	—	—	—	100	V/ms
$V_{RAMP\_HV}$	SR	Slew rate on HV power supply pins	—	—	—	100	V/ms
$V_{por\_rel}$	CC	POR release trip point	-40 °C < T <sub>j</sub> < 150 °C	3.10	—	4.26	V
$V_{por\_hys}$	CC	POR hysteresis	-40 °C < T <sub>j</sub> < 150 °C	150	—	300	mV
$V_{IN}$	SR	I/O input voltage range	—	0	—	5.5	V
<b>Injection current</b>							
$I_{IC}$	SR	DC injection current (per pin) <sup>36,37,38</sup>	Digital pins and analog pins	-3.0	—	3.0	mA
$I_{MAXSEG}$	SR	Maximum current per power segment <sup>39</sup>	—	-80	—	80	mA

<sup>1</sup> The ranges in this table are design targets and actual data may vary in the given range.

<sup>2</sup> Maximum operating frequency is applicable to the computational cores and platform for the device. See the Clocking chapter in the *MPC5777M Microcontroller Reference Manual* for more information on the clock limitations for the various IP blocks on the device.

<sup>3</sup> Core voltage as measured on device pin to guarantee published silicon performance.

<sup>4</sup> During power ramp, voltage measured on silicon might be lower. maximum performance is not guaranteed, but correct silicon operation is guaranteed. Refer to the Power Management and Reset Generation Module chapters in the *MPC5777M Microcontroller Reference Manual* for further information.



- 5 Although the maximum  $V_{DD\_LV}$  operating voltage is 1.38 V, reset is not entered at that voltage. An external voltage monitor is needed or the HVD140\_C can be monitored (via an interrupt or by polling the HVD140\_C flag bit). Performance above 1.38 V is not guaranteed, and allowed operation above 1.38 V is defined in Absolute maximum ratings.
- 6 In the LVD/HVD disabled case, it is necessary for the system to be within a higher voltage range during destructive reset events.
- 7 Maximum core voltage is not permitted for entire product life. See *Absolute maximum rating*.
- 8 When internal LVD/HVDs are disabled, external monitoring is required to guarantee correct device operation.
- 9  $V_{DD\_LV}$  should be above 1.24 V during destructive resets or POR events.
- 10  $V_{DD\_HV\_IO\_MAIN}$  range limited to 4.75–5.25 V when  $FERS = 1$  to enable the fast erase time of the flash memory.
- 11 During power up operation, the minimum required voltage to come out of reset state is determined by the  $V_{PORUP\_HV}$  monitor, which is defined in the voltage monitor electrical characteristics table. Note that the  $V_{PORUP\_HV}$  monitor is connected to the  $V_{DD\_HV\_IO\_MAIN0}$  physical I/O segment.
- 12 When the LVD/HVDs are enabled, the  $V_{DD\_HV\_IO\_MAIN}$  must be less than 5.412 V to exit from a destructive reset.
- 13 Maximum voltage is not permitted for entire product life. See *Absolute maximum rating*.
- 14 When internal LVD/HVDs are disabled, external monitoring is required to guarantee device operation. Failure to monitor externally supply voltage may result in erroneous operation of the device.
- 15 When these LVD/HVDs are disabled, the  $V_{DD\_HV\_IO\_MAIN}$  supply must be between 3.182 V and 5.412 V.
- 16 Reduced output capabilities below 4.2 V. See performance derating values in *I/O pad electrical characteristics*.
- 17 When the LVD/HVDs are disabled, the  $V_{DD\_HV\_IO\_MAIN}$  must be between 3.024 V and 5.412 V.
- 18 The PMC supply voltage ( $V_{DD\_HV\_PMC}$ ) must be within the correct range (see the  $V_{DD\_HV\_PMC}$  specification).
- 19 When the LVD/HVDs are disabled, the HV I/O JTAG supply ( $V_{DD\_HV\_IO\_JTAG}$ ) must be above 3.024 V.
- 20 When the LVD/HVDs are disabled, the HV OSC supply ( $V_{DD\_HV\_OSC}$ ) must be above 3.024 V.
- 21 Flash read operation is supported for a minimum  $V_{DD\_HV\_PMC}$  value of 3.15 V. Flash read, program, and erase operations are supported for a minimum  $V_{DD\_HV\_PMC}$  value of 3.5 V.
- 22 When the LVD/HVDs are disabled, the  $V_{DD\_HV\_PMC}$  must be below 5.412 V during destructive reset events.
- 23 A minimum of 4.5 V is required to guarantee correct user logic BIST operation.
- 24 During power up operation, the minimum required voltage to come out of reset state is determined by the  $V_{PORUP\_HV}$  monitor, which is defined in the voltage monitor electrical characteristics table. Note that the  $V_{PORUP\_HV}$  monitor is connected to the  $V_{DD\_HV\_IO\_MAIN0}$  physical I/O segment.
- 25 Above  $T_a = 25^\circ\text{C}$ , the minimum  $V_{DD\_HV\_PMC}$  voltage is 3.6 V.
- 26 With the reduced internal regulator output capability, erases and writes to the device flash cannot be guaranteed for a single event and multiple erases and writes may be necessary. User logic BIST is not supported with reduced capability.
- 27 RAM data retention is guaranteed at a voltage that is always below the maximum brownout flag trip point voltage (see the DC Electrical Specification table). The minimum  $V_{DDSTBY}$  voltage at the pin is larger in order to account for on-chip IR drop and noise. There is no effect on RAM operation when  $V_{DDSTBY}$  is below 1.1 V, and  $V_{DD\_LV}$  is above the minimum operating value.
- 28 Non-regulated supplies can be used on the  $V_{DDSTBY}$  pin if the absolute maximum and operating condition voltage limits are met. There is no static clamp to a supply rail for the  $V_{DDSTBY}$  pin, only dynamic protection for ESD events.
- 29 The  $V_{DDSTBY}$  pin should be connected to ground in the application when the standby RAM feature is not used.
- 30  $V_{DD\_HV\_ADV\_S}$  is required to be between 4.5 V and 5.5 V to read the internal Temperature Sensor and Bandgap Reference.
- 31 SAR ADC only. SDADC minimum is 4.5 V.
- 32 The ADC is functional up to 5.9V with no reliability issues, but performance is not guaranteed.
- 33 When the LVD/HVDs are disabled, the HV ADC supply ( $V_{DD\_HV\_ADV}$ ) must be above 3.182 V.
- 34 For supply voltages between 3.0 V and 4.0 V there is no guaranteed precision of ADC (accuracy/linearity). ADCs recover to a fully functional state when the voltage rises above 4.0 V.
- 35  $V_{DD\_HV\_ADR\_S}$  must be between 4.5 V and 5.5 V for accurate reading of the device Temperature Sensor.
- 36 Full device lifetime without performance degradation
- 37 I/O and analog input specifications are only valid if the injection current on adjacent pins is within these limits. See the *Absolute maximum ratings* table for maximum input current for reliability requirements.

## Electrical characteristics

- <sup>38</sup> The I/O pins on the device are clamped to the I/O supply rails for ESD protection. When the voltage of the input pin is above the supply rail, current is injected through the clamp diode to the supply rail. For external RC network calculation, assume typical 0.3 V drop across the active diode. The diode voltage drop varies with temperature.
- <sup>39</sup> Sum of all controller pins (including both digital and analog) must not exceed 200 mA. A  $V_{DD\_HV\_IO}$  power segment is defined as one or more GPIO pins located between two  $V_{DD\_HV\_IO}$  supply pins.

**Table 9. Emulation (buddy) device operating conditions<sup>1</sup>**

Symbol	Parameter	Conditions	Value			Unit
			Min	Typ	Max	
<b>Frequency</b>						
—	SR	Standard JTAG 1149.1/1149.7 frequency	—	—	50	MHz
—	SR	High-speed debug frequency	—	—	320	MHz
—	SR	Data trace frequency	—	—	1250	MHz
<b>Temperature</b>						
$T_{J\_BD}$	SR	Device junction operating temperature range	—	-40.0	150.0	°C
$T_{A\_BD}$	SR	Ambient operating temperature range	—	-40.0	125.0	°C
<b>Voltage</b>						
$V_{DD\_LV\_BD}$	SR	Buddy core supply voltage	—	1.2	1.365	V
$V_{DD\_HV\_IO\_BD}$	SR	Buddy I/O supply voltage	—	3.0	5.5	V
$V_{RAMP\_LV\_BD}$	SR	Buddy slew rate on core power supply pins	—	—	100	V/ms
$V_{RAMP\_HV\_BD}$	SR	Buddy slew rate on HV power supply pins	—	—	100	V/ms

<sup>1</sup> The ranges in this table are design targets and actual data may vary in the given range.

## 3.5 DC electrical specifications

The following table describes the DC electrical specifications.

**Table 10. DC electrical specifications<sup>1</sup>**

Symbol	Parameter	Conditions	Value			Unit	
			Min	Typ	Max		
$I_{DD\_LV}$	CC	Maximum operating current on the $V_{DD\_LV}$ supply <sup>2</sup>	$T_J = 150\text{ °C}$ $V_{DD\_LV} = 1.325\text{ V}$ $f_{MAX}$	—	—	1140	mA
$I_{DDAPP\_LV}$	CC	Application use case operating current on the $V_{DD\_LV}$ supply <sup>3</sup>	$T_J = 150\text{ °C}$ $V_{DD\_LV} = 1.325\text{ V}$ $f_{MAX}$	—	—	950	mA
$I_{DD\_LV\_PE}$	CC	Operating current on the $V_{DD\_LV}$ supply for flash program/erase	$T_J = 150\text{ °C}$	—	—	40	mA

Table 10. DC electrical specifications<sup>1</sup> (continued)

Symbol		Parameter	Conditions	Value			Unit
				Min	Typ	Max	
I <sub>DD_HV_PMC</sub>	CC	Operating current on the V <sub>DD_HV_PMC</sub> supply <sup>4,5</sup>	Flash read	—	—	10	mA
			Flash P/E	—	—	40	
			PMC only	—	—	25 <sup>6</sup>	
I <sub>DD_MAIN_CORE_AC</sub> <sup>7</sup>	CC	Main Core 0/1 dynamic operating current	300 MHz	—	—	115	mA
I <sub>DD_CHKR_CORE_AC</sub>	CC	Checker Core 0 dynamic operating current	300 MHz	—	—	80	mA
I <sub>DD_HSM_AC</sub>	CC	HSM platform dynamic operating current	100 MHz	—	—	20	mA
I <sub>DDSTBY_RAM</sub>	CC	64 KB RAM Standby Leakage Current (RAM not operational) <sup>8,9,10,11</sup>	V <sub>DDSTBY</sub> @ 1.1 V to 5.5 V, T <sub>J</sub> = 150 °C	—	—	350	μA
	CC		V <sub>DDSTBY</sub> @ 1.1 V to 5.5 V, T <sub>A</sub> = 40 °C	—	—	60	
	CC		V <sub>DDSTBY</sub> @ 1.1 V to 5.5 V, T <sub>A</sub> = 85 °C	—	—	100	
I <sub>DDSTBY_REG</sub>	CC	64 KB RAM Standby Leakage Current <sup>12</sup>	V <sub>DDSTBY</sub> @ 1.3 V to 5.5 V, T <sub>A</sub> = 125 °C	—	—	50	μA
I <sub>DD_LV_BD</sub>	CC	BD Debug/Emulation low voltage supply operating current <sup>13</sup>	T <sub>J</sub> = 150 °C V <sub>DD_LV_BD</sub> = 1.32 V	—	—	290	mA
I <sub>DD_HV_IO_BD</sub>	CC	Debug/Emulation high voltage supply operating current (Aurora + JTAGM/LFAST)	T <sub>J</sub> = 150 °C	—	—	130	mA
I <sub>DD_BD_STBY</sub>	CC	BD Debug/Emulation low voltage supply standby current <sup>14,15</sup>	V <sub>DD_LV_BD</sub> = 1.32 V, T <sub>J</sub> = 150 °C	—	—	230	mA
	CC		V <sub>DD_LV_BD</sub> = 1.32 V, T <sub>J</sub> = 55 °C	—	—	5	
I <sub>SPIKE</sub>	CC	Maximum short term current spike <sup>16</sup>	< 20 μs observation window	—	—	90	mA
dl	CC	Current difference ratio to average current (dl/avg(I)) <sup>17</sup>	20 μs observation window	—	—	20	%

Table 10. DC electrical specifications<sup>1</sup> (continued)

Symbol		Parameter	Conditions	Value			Unit
				Min	Typ	Max	
$I_{SR}^{18}$	CC	Current variation during power up/down	See footnote <sup>19</sup>	—	—	90	mA
$I_{BG}$	CC	Bandgap reference current consumption		—	—	600	$\mu$ A
$I_{DDOFF}$	CC	Power-off current on high voltage supply rails <sup>20</sup>	$V_{DD\_HV} = 2.5$ V	100	—	—	$\mu$ A
$V_{STBY\_BO}$	CC	Standby RAM brownout flag trip point voltage	—	—	—	0.9 <sup>21</sup>	V
$V_{DD\_LV\_STBY\_SW}$	CC	Standby RAM switch $V_{DD\_LV}$ voltage threshold	—	0.93	—	—	V
$V_{REF\_BG\_T}$	CC	Bandgap trimmed reference voltage	$T_J = -40$ °C to 150 °C $V_{DD\_HV\_ADV} = 5$ V $\pm$ 10%	1.200	—	1.237	V
$V_{REF\_BG\_TC}$	CC	Bandgap temperature coefficient <sup>22</sup>	$T_J = -40$ °C to 150 °C $V_{DD\_HV\_ADV} = 5$ V	—	—	50	ppm/ <sup>o</sup> C
$V_{REF\_BG\_LR}$	CC	Bandgap line regulation <sup>22</sup>	$T_J = -40$ °C $V_{DD\_HV\_ADV} = 5$ V $\pm$ 10%	—	—	8000	ppm/V
			$T_J = 150$ °C $V_{DD\_HV\_ADV} = 5$ V $\pm$ 10%	—	—	4000	

<sup>1</sup> All parameters in this data sheet are valid for operation within an operating range of  $-40$  °C  $\leq T_J \leq 150$  °C except where otherwise noted

<sup>2</sup>  $f_{MAX}$  as specified per IP. Excludes flash P/E and HSM dynamic current. Measured on an application specific pattern. Calculation of total current for the device, all rails, is done by adding the applicable dynamic currents to the  $I_{DD\_LV}$  value for the core supply, and summing the currents based on use case for the 5 V blocks, for which current consumption values are defined in later sections of the DC electrical specification.

<sup>3</sup>  $f_{MAX}$  as specified per IP. Excludes flash P/E and HSM dynamic current. Measured on an application specific pattern.

<sup>4</sup>  $V_{DD\_HV\_PMC}$  only available in the 416 BGA package. PMC supply is shorted to  $V_{DD\_HV\_IO\_MAIN}$  in the 512 BGA, with an external bypass capacitor connected to the  $V_{DD\_HV\_PMC\_BYP}$  ball. The flash read and P/E current, and PMC current apply to  $V_{DD\_HV\_IO\_MAIN}$  for the 512 BGA.

<sup>5</sup> The flash read and flash P/E currents are mutually exclusive, and are not cumulative.

<sup>6</sup> This includes PMC consumption, LFAST PLL regulator current, and Nwell bias regulator current. If the  $V_{DD\_LV}$  auxiliary regulator is enabled, the PMC supply may see short term (10  $\mu$ s) spikes of up to 150 mA depending on transient current conditions from use case of the device. The auxiliary regulator can be disabled at power-up in the user DCF clients in the flash memory.

<sup>7</sup> There is an additional 25 mA when  $FERS = 1$  to enable the fast erase time of the flash memory.

<sup>8</sup> Data is retained for full  $T_J$  range of  $-40$  °C to 150 °C. RAM supply switch to the standby regulator occurs when the  $V_{DD\_LV}$  supply falls below 0.95V.

- <sup>9</sup>  $V_{DDSTBY}$  may be supplied with a non-regulated power supply, but the absolute maximum voltage on  $V_{DDSTBY}$  given in the absolute maximum ratings table must be observed.
- <sup>10</sup> Standby current is reduced by a factor of two from  $T_J=150\text{ }^\circ\text{C}$ , for approximately every  $\sim 20\text{ }^\circ\text{C}$  drop in operating temperature.
- <sup>11</sup> The maximum value for  $I_{DDSTBY\_ON}$  is also valid when switching from the core supply to the standby supply, and when powering up the device and switching the RAM supply back to  $V_{DD\_LV}$ .
- <sup>12</sup> The standby RAM regulator current is present on the  $V_{DDSTBY}$  pin whenever a voltage is applied to the pin. This also applies to normal operation where the RAM is powered by the  $V_{DD\_LV}$  supply. Connecting the  $V_{DDSTBY}$  pin to ground when not using the standby RAM feature will remove the leakage current on the  $V_{DDSTBY}$  pin.
- <sup>13</sup> If Aurora and JTAGM/LFAST not used,  $V_{DD\_LV\_BD}$  current is reduced by  $\sim 20\text{mA}$ .
- <sup>14</sup> Applies to 2MB calibration RAM in the BD.
- <sup>15</sup> Buddy device leakage dependency on temperature can be estimated by dividing the  $150\text{ }^\circ\text{C}$  leakage by two for each temperature drop of  $\sim 20\text{ }^\circ\text{C}$ .
- <sup>16</sup> Current spike may occur during normal operation that are above average current, valid for  $I_{DDAPP}$  and its conditions given in [Table 10 \(DC electrical specifications\)](#). Internal schemes must be used (eg frequency ramping, feature enable) to ensure that incremental demands are made on the external power supply. An internal fast regulator providing  $\sim 40\text{mA}$  peak current within  $1\text{ }\mu\text{s}$  to filter any core power supply droops is available on the device. Assumption is minimum  $13.3\text{ }\mu\text{F}$  ( $20\text{ }\mu\text{F}$  typical) capacitance on the core supply.]
- <sup>17</sup> Moving window, valid for  $I_{DDAPP}$  and its conditions given in [Table 10 \(DC electrical specifications\)](#), with a maximum of  $90\text{ mA}$  for the worst case application
- <sup>18</sup> This specification is the maximum value and is a boundary for the dl specification.
- <sup>19</sup> Condition 1: For power on period from  $0\text{ V}$  up to normal operation with reset asserted. Condition 2: From reset asserted until PLL running free. Condition 3: Increasing PLL from free frequency to full frequency. Condition 4: reverse order for power down to  $0\text{ V}$ .
- <sup>20</sup>  $I_{DDOFF}$  is the minimum guaranteed consumption of the device during power-up. It can be used to correctly size power-off ballast in case of current injection during power-off state. Power up/down current transients can be limited by controlling the clock ramp rates with the Progressive Clock Frequency Switching block on the device.
- <sup>21</sup>  $V_{STBY\_BO}$  is the maximum voltage that sets the standby RAM brown-out flag in the device logic. The minimum voltage for RAM data retention is guaranteed to always be less than the  $V_{STBY\_BO}$  maximum value.
- <sup>22</sup> The temperature coefficient and line regulation specifications are used to calculate the reference voltage drift at an operating point within the specified voltage and temperature operating conditions.

## 3.6 I/O pad specification

The following table describes the different pad type configurations.

**Table 11. I/O pad specification descriptions**

Pad type	Description
Weak configuration	Provides a good compromise between transition time and low electromagnetic emission. Pad impedance is centered around $800\ \Omega$ .
Medium configuration	Provides transition fast enough for the serial communication channels with controlled current to reduce electromagnetic emission. Pad impedance is centered around $200\ \Omega$ .
Strong configuration	Provides fast transition speed; used for fast interface. Pad impedance is centered around $50\ \Omega$ .
Very strong configuration	Provides maximum speed and controlled symmetric behavior for rise and fall transition. Used for fast interface including Ethernet, FlexRay, and the EBI data bus interfaces requiring fine control of rising/falling edge jitter. Pad impedance is centered around $40\ \Omega$ .
EBI configuration	Provides necessary speed for fast external memory interfaces on the EBI address and control signals. Drive strength is matched to four selectable loads.

Table 11. I/O pad specification descriptions (continued)

Pad type	Description
Differential configuration	A few pads provide differential capability providing very fast interface together with good EMC performances.
Input only pads	These low input leakage pads are associated with the ADC channels.

**NOTE**

Each I/O pin on the device supports specific drive configurations. See the signal description table in the device reference manual for the available drive configurations for each I/O pin.

The device supports both 3.3 V and 5 V nominal I/O voltages. In order to use 3.3 V on the  $V_{DD\_HV\_IO\_MAIN0}$  physical I/O segment, the HV supply low voltage monitor ( $V_{LVD400}$ ) must be disabled by DCF client. All other physical I/O segments are unaffected by the LVD400.

**3.6.1 I/O input DC characteristics**

Table 12 provides input DC electrical characteristics as described in Figure 7.

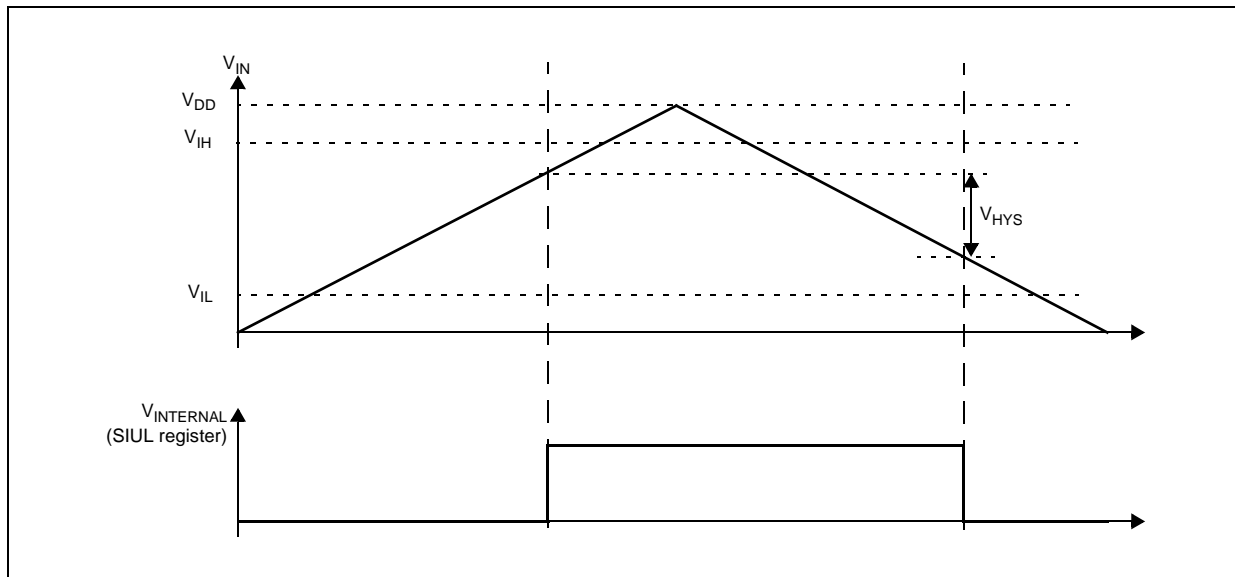


Figure 7. I/O input DC electrical characteristics definition

Table 12. I/O input DC electrical characteristics

Symbol	Parameter	Conditions <sup>1</sup>	Value			Unit	
			Min	Typ	Max		
<b>TTL</b>							
$V_{IHTTL}$	SR	Input high level TTL	$4.5\text{ V} < V_{DD\_HV\_IO} < 5.5\text{ V}^6$	2	—	$V_{DD\_HV\_IO} + 0.3$	V
$V_{ILTTL}$	SR	Input low level TTL	$4.5\text{ V} < V_{DD\_HV\_IO} < 5.5\text{ V}^6$	-0.3	—	0.8	
$V_{HYSTTL}$	—	Input hysteresis TTL	$4.5\text{ V} < V_{DD\_HV\_IO} < 5.5\text{ V}^6$	0.275	—	—	

Table 12. I/O input DC electrical characteristics (continued)

Symbol	Parameter	Conditions <sup>1</sup>	Value			Unit	
			Min	Typ	Max		
V <sub>DRFTTL</sub>	—	Input V <sub>IL</sub> /V <sub>IH</sub> temperature drift TTL	—	—	100	mV	
<b>AUTOMOTIVE</b>							
V <sub>IHAUT</sub> <sup>2</sup>	SR	Input high level AUTOMOTIVE	4.5 V < V <sub>DD_HV_IO</sub> < 5.5 V	3.8	—	V <sub>DD_HV_IO</sub> + 0.3	V
V <sub>I LAUT</sub> <sup>3</sup>	SR	Input low level AUTOMOTIVE	4.5 V < V <sub>DD_HV_IO</sub> < 5.5 V	-0.3	—	2.2	V
V <sub>HYSAUT</sub> <sup>4</sup>	—	Input hysteresis AUTOMOTIVE	4.5 V < V <sub>DD_HV_IO</sub> < 5.5 V	0.4	—	—	V
V <sub>DRFTAUT</sub>	—	Input V <sub>IL</sub> /V <sub>IH</sub> temperature drift	4.5 V < V <sub>DD_HV_IO</sub> < 5.5 V	—	—	100 <sup>5</sup>	mV
<b>CMOS/EBI</b>							
V <sub>IHCMOS_H</sub> <sup>6</sup>	SR	Input high level CMOS (with hysteresis)	3.0 V < V <sub>DD_HV_IO</sub> < 3.6 V	0.70 *	—	V <sub>DD_HV_IO</sub> + 0.3	V
			4.5 V < V <sub>DD_HV_IO</sub> < 5.5 V				
V <sub>IHCMOS</sub> <sup>6</sup>	SR	Input high level CMOS (without hysteresis)	3.0 V < V <sub>DD_HV_IO</sub> < 3.6 V	0.6 *	—	V <sub>DD_HV_IO</sub> + 0.3	V
			4.5 V < V <sub>DD_HV_IO</sub> < 5.5 V				
V <sub>ILCMOS_H</sub> <sup>6</sup>	SR	Input low level CMOS (with hysteresis)	3.0 V < V <sub>DD_HV_IO</sub> < 3.6 V	-0.3	—	0.35 *	V <sub>DD_HV_IO</sub>
			4.5 V < V <sub>DD_HV_IO</sub> < 5.5 V				
V <sub>ILCMOS</sub> <sup>6</sup>	SR	Input low level CMOS (without hysteresis)	3.0 V < V <sub>DD_HV_IO</sub> < 3.6 V	-0.3	—	0.4 *	V <sub>DD_HV_IO</sub>
			4.5 V < V <sub>DD_HV_IO</sub> < 5.5 V				
V <sub>HYSCMOS</sub>	—	Input hysteresis CMOS	3.0 V < V <sub>DD_HV_IO</sub> < 3.6 V	0.1 *	—	—	V
			4.5 V < V <sub>DD_HV_IO</sub> < 5.5 V <sup>7</sup>				
V <sub>DRFTCMOS</sub>	—	Input V <sub>IL</sub> /V <sub>IH</sub> temperature drift CMOS	3.0 V < V <sub>DD_HV_IO</sub> < 3.6 V	—	—	100 <sup>5</sup>	mV
			4.5 V < V <sub>DD_HV_IO</sub> < 5.5 V				
<b>INPUT CHARACTERISTICS<sup>8</sup></b>							
I <sub>LKG</sub>	CC	Digital input leakage	4.5 V < V <sub>DD_HV</sub> < 5.5 V V <sub>SS_HV</sub> < V <sub>IN</sub> < V <sub>DD_HV</sub> T <sub>J</sub> = 150 °C	—	—	750	nA
I <sub>LKG_EBI</sub>	CC	Digital input leakage for EBI pad	4.5 V < V <sub>DD_HV</sub> < 5.5 V V <sub>SS_HV</sub> < V <sub>IN</sub> < V <sub>DD_HV</sub> T <sub>J</sub> = 150 °	—	—	750	nA
C <sub>IN</sub>	CC	Digital input capacitance	GPIO input pins	—	—	7	pF
			EBI input pins	—	—	7	

<sup>1</sup> During power up operation, the minimum required voltage to come out of reset state is determined by the V<sub>PORUP\_HV</sub> monitor, which is defined in the voltage monitor electrical characteristics table. Note that the V<sub>PORUP\_HV</sub> monitor is connected to the V<sub>DD\_HV\_IO\_MAIN0</sub> physical I/O segment.

## Electrical characteristics

- <sup>2</sup> A good approximation for the variation of the minimum value with supply is given by formula  $V_{IHAUT} = 0.69 \times V_{DD\_HV\_IO}$ .
- <sup>3</sup> A good approximation for the variation of the maximum value with supply is given by formula  $V_{ILAUT} = 0.49 \times V_{DD\_HV\_IO}$ .
- <sup>4</sup> A good approximation of the variation of the minimum value with supply is given by formula  $V_{HYSAUT} = 0.11 \times V_{DD\_HV\_IO}$ .
- <sup>5</sup> In a 1 ms period, assuming stable voltage and a temperature variation of  $\pm 30$  °C,  $V_{IL}/V_{IH}$  shift is within  $\pm 50$  mV. For SENT requirement refer to NOTE on page 41.
- <sup>6</sup> Only for  $V_{DD\_HV\_IO\_JTAG}$  and  $V_{DD\_HV\_IO\_FLEX}$  power segment. The TTL threshold are controlled by the VSIO bit.  $VSIO[VSIO\_xx] = 0$  in the range  $3.0\text{ V} < V_{DD\_HV\_IO} < 4.0\text{ V}$ ,  $VSIO[VSIO\_xx] = 1$  in the range  $4.5\text{ V} < V_{DD\_HV\_IO} < 5.5\text{ V}$ .
- <sup>7</sup> Only for  $V_{DD\_HV\_IO\_JTAG}$  and  $V_{DD\_HV\_IO\_FLEX}$  power segment.
- <sup>8</sup> For LFAST, microsecond bus and LVDS input characteristics, refer to dedicated communication module chapters.

Table 13 provides weak pull figures. Both pull-up and pull-down current specifications are provided.

**Table 13. I/O pull-up/pull-down DC electrical characteristics**

Symbol	Parameter	Conditions <sup>1</sup>	Value			Unit
			Min	Typ	Max	
I <sub>WPU</sub>	CC Weak pull-up current absolute value <sup>2</sup>	$V_{IN} = 0\text{ V}$ $V_{DD\_POR}^3 < V_{DD\_HV\_IO} < 3.0\text{ V}^{4,5}$	$10.6 * V_{DD\_HV} - 10.6$	—	—	μA
		$V_{IN} > V_{IL} = 1.1\text{ V (TTL)}$ $4.5\text{ V} < V_{DD} < 5.5\text{ V}$	—	—	130	
		$V_{IN} = 0.75 * V_{DD\_HV\_IO} \text{ (AUTO)}$ $3.0\text{ V} < V_{DD\_HV\_IO} < 3.6\text{ V}$	10	—	—	
		$V_{IN} = 0.35 * V_{DD\_HV\_IO} \text{ (AUTO)}$ $3.0\text{ V} < V_{DD\_HV\_IO} < 3.6\text{ V}$	—	—	70	
		$V_{IN} = 0.35 * V_{DD\_HV\_IO} \text{ (CMOS)}$ $3.0\text{ V} < V_{DD\_HV\_IO} < 3.6\text{ V}$	25	—	80	
		$V_{IN} = 0.69 * V_{DD\_HV\_IO} \text{ (AUTO)}$ $4.5\text{ V} < V_{DD\_HV\_IO} < 5.5\text{ V}$	23	—	—	
		$V_{IN} = 0.49 * V_{DD\_HV\_IO} \text{ (AUTO)}$ $4.5\text{ V} < V_{DD\_HV\_IO} < 5.5\text{ V}$	—	—	82	
		$V_{IN} = 0.35 * V_{DD\_HV\_IO} \text{ (CMOS)}$ $4.5\text{ V} < V_{DD\_HV\_IO} < 5.5\text{ V}$	40	—	120	
R <sub>WPU</sub>	CC Weak pull-up resistance	—	34	—	62	kΩ



Table 13. I/O pull-up/pull-down DC electrical characteristics (continued)

Symbol	Parameter	Conditions <sup>1</sup>	Value			Unit	
			Min	Typ	Max		
I <sub>WPD</sub>	CC	Weak pull-down current absolute value	V <sub>IN</sub> < V <sub>IL</sub> = 0.9 V (TTL) 4.5 V < V <sub>DD</sub> < 5.5 V	16	—	—	μA
			V <sub>IN</sub> = 0.75* V <sub>DD_HV_IO</sub> (AUTO) 3.0 V < V <sub>DD_HV_IO</sub> < 3.6 V	—	—	92	
			V <sub>IN</sub> = 0.35* V <sub>DD_HV_IO</sub> (AUTO) 3.0 V < V <sub>DD_HV_IO</sub> < 3.6 V	19	—	—	
			V <sub>IN</sub> = 0.65* V <sub>DD_HV_IO</sub> (CMOS) 3.0 V < V <sub>DD_HV_IO</sub> < 3.6 V	25	—	80	
			V <sub>IN</sub> = 0.69* V <sub>DD_HV_IO</sub> (AUTO) 4.5 V < V <sub>DD_HV_IO</sub> < 5.5 V	—	—	130	
			V <sub>IN</sub> = 0.49* V <sub>DD_HV_IO</sub> (AUTO) 4.5 V < V <sub>DD_HV_IO</sub> < 5.5 V	40	—	—	
			V <sub>IN</sub> = 0.65* V <sub>DD_HV_IO</sub> (CMOS) 4.5 V < V <sub>DD_HV_IO</sub> < 5.5 V	40	—	120	
R <sub>WPD</sub>	CC	Weak pull-down resistance	—	30	—	55	kΩ

<sup>1</sup> During power up operation, the minimum required voltage to come out of reset state is determined by the V<sub>PORUP\_HV</sub> monitor, which is defined in the voltage monitor electrical characteristics table. Note that the V<sub>PORUP\_HV</sub> monitor is connected to the V<sub>DD\_HV\_IO\_MAIN0</sub> physical I/O segment.

<sup>2</sup> Weak pull-up/down is enabled within t<sub>WK\_PU</sub> = 1 μs after internal/external reset has been asserted. Output voltage will depend on the amount of capacitance connected to the pin.

<sup>3</sup> V<sub>DD\_POR</sub> is the minimum V<sub>DD\_HV\_IO</sub> supply voltage for the activation of the device pull-up/down, and is given in the *Reset electrical characteristics* table of Section *Reset pad (PORST, ESR0) electrical characteristics* in this Data Sheet.

<sup>4</sup> V<sub>DD\_POR</sub> is defined in the *Reset electrical characteristics* table of Section *Reset pad (PORST, ESR0) electrical characteristics* in this Data Sheet.

<sup>5</sup> Weak pull-up behavior during power-up. Operational with V<sub>DD\_HV\_IO</sub> > V<sub>DD\_POR</sub>.

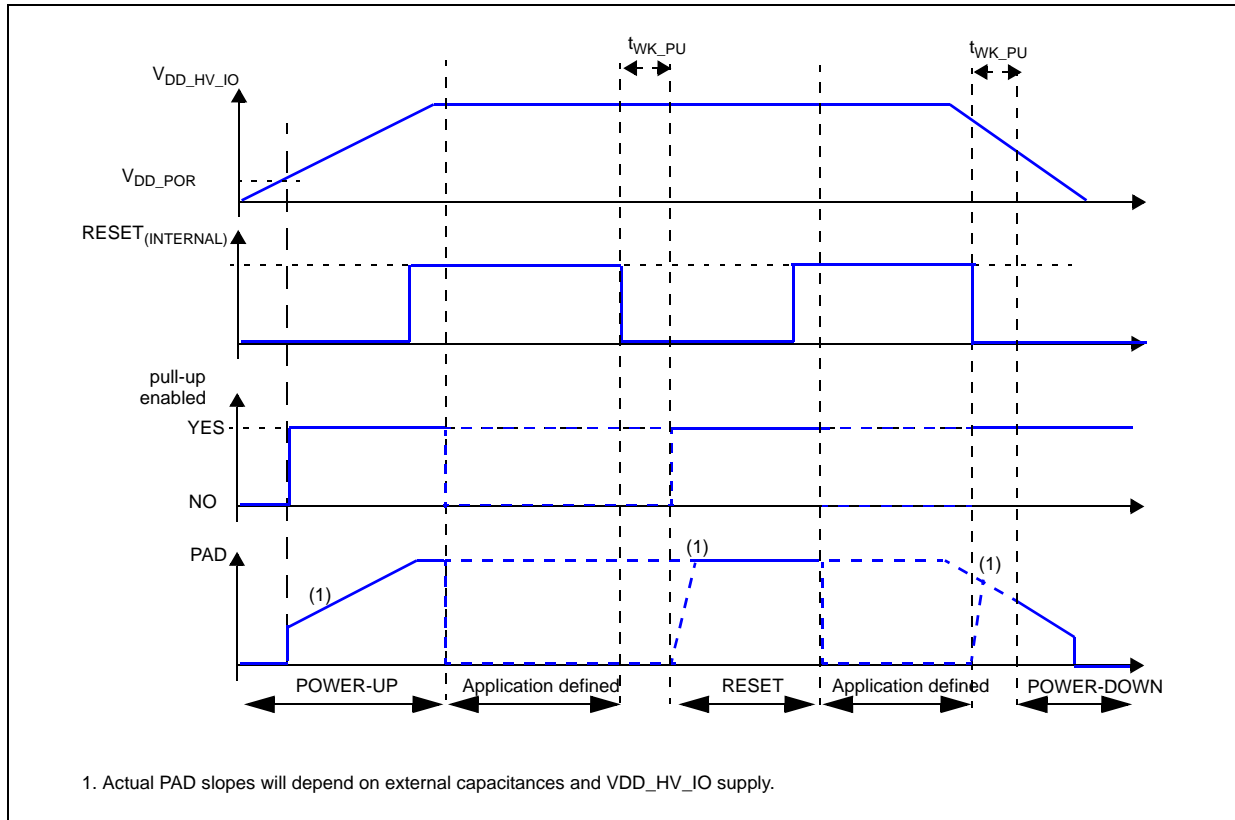
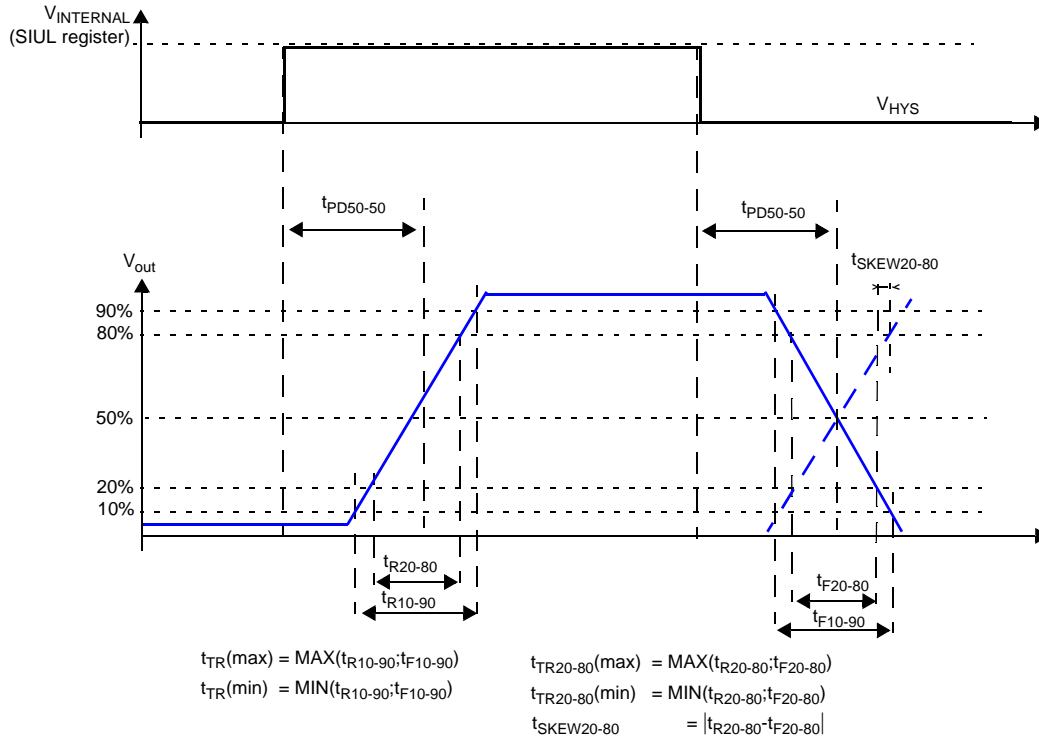


Figure 8. Weak pull-up electrical characteristics definition

### 3.6.2 I/O output DC characteristics

The figure below provides description of output DC electrical characteristics.



**Figure 9. I/O output DC electrical characteristics definition**

The following tables provide DC characteristics for bidirectional pads:

- [Table 14](#) provides output driver characteristics for I/O pads when in WEAK configuration.
- [Table 15](#) provides output driver characteristics for I/O pads when in MEDIUM configuration.
- [Table 16](#) provides output driver characteristics for I/O pads when in STRONG configuration.
- [Table 17](#) provides output driver characteristics for I/O pads when in VERY STRONG configuration.
- [Table 18](#) provides output driver characteristics for the EBI pads.

#### NOTE

Driver configuration is controlled by SIUL2\_MSCR $n$  registers. It is available within two PBRIDGEA\_CLK clock cycles after the associated SIUL2\_MSCR $n$  bits have been written.

[Table 14](#) shows the WEAK configuration output buffer electrical characteristics.

**Table 14. WEAK configuration output buffer electrical characteristics**

Symbol	Parameter	Conditions <sup>1,2</sup>	Value			Unit
			Min	Typ	Max	
R <sub>OH_W</sub>	CC PMOS output impedance weak configuration	4.5 V < V <sub>DD_HV_IO</sub> < 5.5 V Push pull, I <sub>OH</sub> < 0.5 mA	520	800	1052	Ω
R <sub>OL_W</sub>	CC NMOS output impedance weak configuration	4.5 V < V <sub>DD_HV_IO</sub> < 5.5 V Push pull, I <sub>OL</sub> < 0.5 mA	520	800	1052	Ω

Table 14. WEAK configuration output buffer electrical characteristics (continued)

Symbol	Parameter	Conditions <sup>1,2</sup>	Value			Unit	
			Min	Typ	Max		
f <sub>MAX_W</sub>	CC	Output frequency weak configuration	C <sub>L</sub> = 25 pF <sup>3</sup>	—	—	2	MHz
			C <sub>L</sub> = 50 pF <sup>3</sup>	—	—	1	
			C <sub>L</sub> = 200 pF <sup>3</sup>	—	—	0.25	
t <sub>TR_W</sub>	CC	Transition time output pin weak configuration <sup>4</sup>	C <sub>L</sub> = 25 pF, 4.5 V < V <sub>DD_HV_IO</sub> < 5.5 V	40	—	120	ns
			C <sub>L</sub> = 50 pF, 4.5 V < V <sub>DD_HV_IO</sub> < 5.5 V	80	—	240	
			C <sub>L</sub> = 200 pF, 4.5 V < V <sub>DD_HV_IO</sub> < 5.5 V	320	—	820	
			C <sub>L</sub> = 25 pF, 3.0 V < V <sub>DD_HV_IO</sub> < 3.6 V <sup>5</sup>	50	—	150	
			C <sub>L</sub> = 50 pF, 3.0 V < V <sub>DD_HV_IO</sub> < 3.6 V <sup>5</sup>	100	—	300	
			C <sub>L</sub> = 200 pF, 3.0 V < V <sub>DD_HV_IO</sub> < 3.6 V <sup>5</sup>	350	—	1050	
t <sub>SKEW_W</sub>	CC	Difference between rise and fall time	—	—	25	%	
I <sub>DCMAX_W</sub>	CC	Maximum DC current	—	—	4	mA	

<sup>1</sup> All V<sub>DD\_HV\_IO</sub> conditions for 4.5V to 5.5V are valid for VSIO[VSIO\_xx] = 1, and all specifications for 3.0V to 3.6V are valid for VSIO[VSIO\_xx] = 0

<sup>2</sup> During power up operation, the minimum required voltage to come out of reset state is determined by the V<sub>PORUP\_HV</sub> monitor, which is defined in the voltage monitor electrical characteristics table. Note that the V<sub>PORUP\_HV</sub> monitor is connected to the V<sub>DD\_HV\_IO\_MAIN0</sub> physical I/O segment.

<sup>3</sup> C<sub>L</sub> is the sum of external capacitance. Device and package capacitances (C<sub>IN</sub>, defined in Table 12) are to be added to calculate total signal capacitance (C<sub>TOT</sub> = C<sub>L</sub> + C<sub>IN</sub>).

<sup>4</sup> Transition time maximum value is approximated by the following formula:

$$0 \text{ pF} < C_L < 50 \text{ pF} \quad t_{TR\_W}(\text{ns}) = 22 \text{ ns} + C_L(\text{pF}) \times 4.4 \text{ ns/pF}$$

$$50 \text{ pF} < C_L < 200 \text{ pF} \quad t_{TR\_W}(\text{ns}) = 50 \text{ ns} + C_L(\text{pF}) \times 3.85 \text{ ns/pF}$$

<sup>5</sup> Only for V<sub>DD\_HV\_IO\_JTAG</sub> segment when VSIO[VSIO\_IJ] = 0 or V<sub>DD\_HV\_IO\_FLEX</sub> segment when VSIO[VSIO\_IF] = 0.

Table 15 shows the MEDIUM configuration output buffer electrical characteristics.

Table 15. MEDIUM configuration output buffer electrical characteristics

Symbol	Parameter	Conditions <sup>1,2</sup>	Value			Unit	
			Min	Typ	Max		
R <sub>OH_M</sub>	CC	PMOS output impedance MEDIUM configuration	4.5 V < V <sub>DD_HV_IO</sub> < 5.5 V Push pull, I <sub>OH</sub> < 2 mA	135	200	260	Ω
R <sub>OL_M</sub>	CC	NMOS output impedance MEDIUM configuration	4.5 V < V <sub>DD_HV_IO</sub> < 5.5 V Push pull, I <sub>OL</sub> < 2 mA	135	200	260	Ω

Table 15. MEDIUM configuration output buffer electrical characteristics (continued)

Symbol	Parameter	Conditions <sup>1,2</sup>	Value			Unit	
			Min	Typ	Max		
f <sub>MAX_M</sub>	CC	Output frequency MEDIUM configuration	C <sub>L</sub> = 25 pF <sup>3</sup>	—	—	12	MHz
			C <sub>L</sub> = 50 pF <sup>3</sup>	—	—	6	
			C <sub>L</sub> = 200 pF <sup>3</sup>	—	—	1.5	
t <sub>TPD50-50</sub> <sup>4</sup>	CC	50-50 % Output pad propagation delay time	V <sub>DD_HV_IO</sub> = 5 V +/- 10 %, C <sub>L</sub> = 25 pF	—	—	21/17	ns
			V <sub>DD_HV_IO</sub> = 5.0 V +/- 10 %, C <sub>L</sub> = 50 pF	—	—	35/27	ns
t <sub>TR_M</sub>	CC	Transition time output pin MEDIUM configuration <sup>5</sup>	C <sub>L</sub> = 25 pF 4.5 V < V <sub>DD_HV_IO</sub> < 5.5 V	10	—	30	ns
			C <sub>L</sub> = 50 pF 4.5 V < V <sub>DD_HV_IO</sub> < 5.5 V	20	—	60	
			C <sub>L</sub> = 200 pF 4.5 V < V <sub>DD_HV_IO</sub> < 5.5 V	60	—	200	
			C <sub>L</sub> = 25 pF, 3.0 V < V <sub>DD_HV_IO</sub> < 3.6 V <sup>6</sup>	12	—	42	
			C <sub>L</sub> = 50 pF, 3.0 V < V <sub>DD_HV_IO</sub> < 3.6 V <sup>6</sup>	24	—	86	
			C <sub>L</sub> = 200 pF, 3.0 V < V <sub>DD_HV_IO</sub> < 3.6 V <sup>6</sup>	70	—	300	
t <sub>SKEW_M</sub>	CC	Difference between rise and fall time	—	—	25	%	
I <sub>DCMAX_M</sub>	CC	Maximum DC current	—	—	4	mA	

<sup>1</sup> All V<sub>DD\_HV\_IO</sub> conditions for 4.5V to 5.5V are valid for VSIO[VSIO\_xx] = 1, and all specifications for 3.0V to 3.6V are valid for VSIO[VSIO\_xx] = 0

<sup>2</sup> During power up operation, the minimum required voltage to come out of reset state is determined by the V<sub>PORUP\_HV</sub> monitor, which is defined in the voltage monitor electrical characteristics table. Note that the V<sub>PORUP\_HV</sub> monitor is connected to the V<sub>DD\_HV\_IO\_MAIN0</sub> physical I/O segment.

<sup>3</sup> C<sub>L</sub> is the sum of external capacitance. Device and package capacitances (C<sub>IN</sub>, defined in Table 12) are to be added to calculate total signal capacitance (C<sub>TOT</sub> = C<sub>L</sub> + C<sub>IN</sub>).

<sup>4</sup> If two values are given for propagation delay, the first value is for rising edge signals and the second for falling edge signals.

<sup>5</sup> Transition time maximum value is approximated by the following formula:

$$0 \text{ pF} < C_L < 50 \text{ pF} \quad t_{TR\_M}(\text{ns}) = 5.6 \text{ ns} + C_L(\text{pF}) \times 1.11 \text{ ns/pF}$$

$$50 \text{ pF} < C_L < 200 \text{ pF} \quad t_{TR\_M}(\text{ns}) = 13 \text{ ns} + C_L(\text{pF}) \times 0.96 \text{ ns/pF}$$

<sup>6</sup> Only for V<sub>DD\_HV\_IO\_JTAG</sub> segment when VSIO[VSIO\_IJ] = 0 or V<sub>DD\_HV\_IO\_FLEX</sub> segment when VSIO[VSIO\_IF] = 0

Table 16 shows the STRONG configuration output buffer electrical characteristics.

Table 16. STRONG configuration output buffer electrical characteristics

Symbol	Parameter	Conditions <sup>1,2</sup>	Value			Unit	
			Min	Typ	Max		
R <sub>OH_S</sub>	CC	PMOS output impedance STRONG configuration	4.5 V < V <sub>DD_HV_IO</sub> < 5.5 V Push pull, I <sub>OH</sub> < 8 mA	30	50	77	Ω
R <sub>OL_S</sub>	CC	NMOS output impedance STRONG configuration	4.5 V < V <sub>DD_HV_IO</sub> < 5.5 V Push pull, I <sub>OL</sub> < 8 mA	30	50	77	Ω
f <sub>MAX_S</sub>	CC	Output frequency STRONG configuration	C <sub>L</sub> = 25 pF <sup>3</sup>	—	—	40	MHz
			C <sub>L</sub> = 50 pF <sup>3</sup>	—	—	20	
			C <sub>L</sub> = 200 pF <sup>3</sup>	—	—	5	
t <sub>TPD50-50</sub> <sup>4</sup>	CC	50-50 % Output pad propagation delay time	V <sub>DD_HV_IO</sub> = 5 V +/- 10 %, C <sub>L</sub> = 25 pF	—	—	8/7	ns
			V <sub>DD_HV_IO</sub> = 5.0 V +/- 10 %, C <sub>L</sub> = 50 pF	—	—	11/9	ns
t <sub>TR_S</sub>	CC	Transition time output pin STRONG configuration <sup>5</sup>	C <sub>L</sub> = 25 pF 4.5 V < V <sub>DD_HV_IO</sub> < 5.5 V	3	—	10	ns
			C <sub>L</sub> = 50 pF 4.5 V < V <sub>DD_HV_IO</sub> < 5.5 V	5	—	16	
			C <sub>L</sub> = 200 pF 4.5 V < V <sub>DD_HV_IO</sub> < 5.5 V	17	—	50	
			C <sub>L</sub> = 25 pF, 3.0 V < V <sub>DD_HV_IO</sub> < 3.6 V <sup>6</sup>	4	—	15	
			C <sub>L</sub> = 50 pF, 3.0 V < V <sub>DD_HV_IO</sub> < 3.6 V <sup>6</sup>	6	—	27	
			C <sub>L</sub> = 200 pF, 3.0 V < V <sub>DD_HV_IO</sub> < 3.6 V <sup>6</sup>	20	—	83	
t <sub>SKEW_S</sub>	CC	Difference between rise and fall time	—	—	25	%	
I <sub>DCMAX_S</sub>	CC	Maximum DC current	—	—	10	mA	

<sup>1</sup> All V<sub>DD\_HV\_IO</sub> conditions for 4.5V to 5.5V are valid for VSIO[VSIO\_xx] = 1, and all specifications for 3.0V to 3.6V are valid for VSIO[VSIO\_xx] = 0

<sup>2</sup> During power up operation, the minimum required voltage to come out of reset state is determined by the V<sub>PORUP\_HV</sub> monitor, which is defined in the voltage monitor electrical characteristics table. Note that the V<sub>PORUP\_HV</sub> monitor is connected to the V<sub>DD\_HV\_IO\_MAIN0</sub> physical I/O segment.

<sup>3</sup> C<sub>L</sub> is the sum of external capacitance. Device and package capacitances (C<sub>IN</sub>, defined in Table 12) are to be added to calculate total signal capacitance (C<sub>TOT</sub> = C<sub>L</sub> + C<sub>IN</sub>).

<sup>4</sup> If two values are given for propagation delay, the first value is for rising edge signals and the second for falling edge signals.

<sup>5</sup> Transition time maximum value is approximated by the following formula: t<sub>TR\_S</sub>(ns) = 4.5 ns + C<sub>L</sub>(pF) x 0.23 ns/pF.

<sup>6</sup> Only for V<sub>DD\_HV\_IO\_JTAG</sub> segment when VSIO[VSIO\_IJ] = 0 or V<sub>DD\_HV\_IO\_FLEX</sub> segment when VSIO[VSIO\_IF] = 0

Table 17 shows the VERY STRONG configuration output buffer electrical characteristics.

Table 17. VERY STRONG configuration output buffer electrical characteristics<sup>1</sup>

Symbol	Parameter	Conditions <sup>2,3</sup>	Value			Unit	
			Min	Typ	Max		
R <sub>OH_V</sub>	CC	PMOS output impedance VERY STRONG configuration	V <sub>DD_HV_IO</sub> = 5.0 V ± 10%, V <sub>SIO</sub> [V <sub>SIO_xx</sub> ] = 1 I <sub>OH</sub> = 8 mA	20	40	72	Ω
			V <sub>DD_HV_IO</sub> = 3.3 V ± 10%, V <sub>SIO</sub> [V <sub>SIO_xx</sub> ] = 0, I <sub>OH</sub> = 7 mA <sup>4</sup>	30	50	90	
R <sub>OL_V</sub>	CC	NMOS output impedance VERY STRONG configuration	V <sub>DD_HV_IO</sub> = 5.0 V ± 10%, V <sub>SIO</sub> [V <sub>SIO_xx</sub> ] = 1 I <sub>OL</sub> = 8 mA	20	40	72	Ω
			V <sub>DD_HV_IO</sub> = 3.3 V ± 10%, V <sub>SIO</sub> [V <sub>SIO_xx</sub> ] = 0, I <sub>OL</sub> = 7 mA <sup>4</sup>	30	50	90	
f <sub>MAX_V</sub>	CC	Output frequency VERY STRONG configuration	V <sub>DD_HV_IO</sub> = 5.0 V ± 10%, C <sub>L</sub> = 25 pF <sup>5</sup>	—	—	50	MHz
			V <sub>SIO</sub> [V <sub>SIO_xx</sub> ] = 1, C <sub>L</sub> = 15 pF <sup>4,5</sup>	—	—	50	
t <sub>TPD50-50</sub> <sup>6</sup>	CC	50-50 % Output pad propagation delay time	V <sub>DD_HV_IO</sub> = 5 V +/- 10 %, C <sub>L</sub> = 25 pF	—	—	5.5	ns
			V <sub>DD_HV_IO</sub> = 5.0 V +/- 10 %, C <sub>L</sub> = 50 pF	—	—	6.5	ns
			V <sub>DD_HV_IO</sub> = 3.3 V +/- 10 %, C <sub>L</sub> = 15 pF	—	—	7.3/7.6	ns
t <sub>TR_V</sub>	CC	10–90% threshold transition time output pin VERY STRONG configuration	V <sub>DD_HV_IO</sub> = 5.0 V ± 10%, C <sub>L</sub> = 25 pF <sup>5</sup>	1	—	5.3	ns
			V <sub>DD_HV_IO</sub> = 5.0 V ± 10%, C <sub>L</sub> = 50 pF <sup>5</sup>	3	—	12	
			V <sub>DD_HV_IO</sub> = 5.0 V ± 10%, C <sub>L</sub> = 200 pF <sup>5</sup>	14	—	45	
t <sub>TR20-80</sub>	CC	20–80% threshold transition time <sup>7</sup> output pin VERY STRONG configuration	V <sub>DD_HV_IO</sub> = 5.0 V ± 10%, C <sub>L</sub> = 25 pF <sup>5</sup>	0.8	—	4	ns
			V <sub>DD_HV_IO</sub> = 3.3 V ± 10%, C <sub>L</sub> = 15 pF <sup>5</sup>	1	—	5	
t <sub>TRTTL</sub>	CC	TTL threshold transition time <sup>8</sup> for output pin in VERY STRONG configuration	V <sub>DD_HV_IO</sub> = 3.3 V ± 10%, C <sub>L</sub> = 25 pF <sup>5</sup>	1	—	5	ns
Σt <sub>TR20-80</sub>	CC	Sum of transition time 20–80% output pin VERY STRONG configuration <sup>9</sup>	V <sub>DD_HV_IO</sub> = 5.0 V ± 10%, C <sub>L</sub> = 25 pF	—	—	9	ns
			V <sub>DD_HV_IO</sub> = 3.3 V ± 10%, C <sub>L</sub> = 15 pF <sup>5</sup>	—	—	9	
t <sub>skew_V</sub>	CC	Difference between rise and fall time at 20–80%	V <sub>DD_HV_IO</sub> = 5.0 V ± 10%, C <sub>L</sub> = 25 pF <sup>5</sup>	0	—	1	ns

## Electrical characteristics

**Table 17. VERY STRONG configuration output buffer electrical characteristics<sup>1</sup> (continued)**

Symbol	Parameter	Conditions <sup>2,3</sup>	Value			Unit
			Min	Typ	Max	
I <sub>DCMAX_VS</sub>	CC	Maximum DC current	—	—	10	mA

<sup>1</sup> Refer to FlexRay section for parameter dedicated to this interface.

<sup>2</sup> All VDD\_HV\_IO conditions for 4.5V to 5.5V are valid for VSIO[VSIO\_xx] = 1, and all specifications for 3.0V to 3.6V are valid for VSIO[VSIO\_xx] = 0.

<sup>3</sup> During power up operation, the minimum required voltage to come out of reset state is determined by the V<sub>PORUP\_HV</sub> monitor, which is defined in the voltage monitor electrical characteristics table. Note that the V<sub>PORUP\_HV</sub> monitor is connected to the V<sub>DD\_HV\_IO\_MAIN0</sub> physical I/O segment.

<sup>4</sup> Only available on the V<sub>DD\_HV\_IO\_JTAG</sub>, V<sub>DD\_HV\_IO\_FLEXE</sub>, and V<sub>DD\_HV\_IO\_FLEX</sub> segments.

<sup>5</sup> C<sub>L</sub> is the sum of external capacitance. Add device and package capacitances (C<sub>IN</sub>, defined in the I/O input DC electrical characteristics table in this Data Sheet) to calculate total signal capacitance (C<sub>TOT</sub> = C<sub>L</sub> + C<sub>IN</sub>).

<sup>6</sup> If two values are given for propagation delay, the first value is for rising edge signals and the second for falling edge signals.

<sup>7</sup> 20–80% transition time as per FlexRay standard.

<sup>8</sup> TTL transition time as for Ethernet standard.

<sup>9</sup> For specification per Electrical Physical Layer Specification 3.0.1, see the dCCTxD<sub>RISE25</sub>+dCCTxD<sub>FALL25</sub> (Sum of Rise and Fall time of TxD signal at the output pin) specification in TxD output characteristics table in Section TxD of this Data Sheet.

Table 18 shows the EBI pad electrical specification.

**Table 18. EBI pad output electrical specification**

Symbol	Parameter	Conditions	Value			Unit	
			Min	Typ	Max		
EBI Mode Output Specifications <sup>1</sup>							
C <sub>DRV</sub>	CC	External Bus Load Capacitance	MSCR[OERC] = b101	—	—	10	pF
			MSCR[OERC] = b110	—	—	20	
			MSCR[OERC] = b111	—	—	30	
f <sub>MAX_EBI</sub>	CC	External Bus Maximum Operating Frequency	C <sub>DRV</sub> = 10/20/30 pF	—	—	66.7	MHz
t <sub>TR_EBI</sub>	CC	10%–90% threshold transition time External Bus output pins	C <sub>DRV</sub> = 10/20/30 pF	0.9	—	3.0	ns
t <sub>PD_EBI</sub>	CC	50%–50% threshold propagation delay time External Bus output pins	C <sub>DRV</sub> = 10/20/30 pF	1.9	—	4.0	ns
t <sub>SKEW_EBI</sub>	CC	Difference between rise and fall time	—	—	—	25	%
I <sub>DCMAX_EBI</sub>	CC	Maximum DC current	—	—	—	12	mA
GPIO Mode Output Specifications - MSCR[OERC] = b100							



Table 18. EBI pad output electrical specification (continued)

Symbol		Parameter	Conditions	Value			Unit
				Min	Typ	Max	
$R_{OH\_EBI\_GPIO}$	CC	PMOS output impedance	$4.5\text{ V} < V_{DD\_HV\_IO\_EBI} < 5.5\text{ V}$ Push pull, $I_{OH} < 2\text{ mA}$	100	225	400	$\Omega$
$R_{OL\_EBI\_GPIO}$	CC	NMOS output impedance	$4.5\text{ V} < V_{DD\_HV\_IO\_EBI} < 5.5\text{ V}$ Push pull, $I_{OH} < 2\text{ mA}$	100	200	400	$\Omega$
$f_{MAX\_EBI\_GPIO}$	CC	Output frequency	$C_L = 25\text{ pF}^2$	—	—	12	MHz
			$C_L = 50\text{ pF}$	—	—	6	
			$C_L = 200\text{ pF}$	—	—	1.5	
$I_{DCMAX\_EBI\_GPIO}$	CC	Maximum DC current	—	—	—	4	mA

<sup>1</sup> All EBI mode specifications are valid for  $V_{DD\_HV\_IO\_EBI} = 3.3\text{V} \pm 10\%$ .

<sup>2</sup>  $C_L$  is the sum of the capacitance loading external to the device.

### 3.7 I/O pad current specification

The I/O pads are distributed across the I/O supply segment. Each I/O supply segment is associated to a  $V_{DD}/V_{SS}$  supply pair.

Table 19 provides I/O consumption figures.

In order to ensure device reliability, the average current of the I/O on a single segment remain below the  $I_{MAXSEG}$  value given in the Table 6 (Absolute maximum ratings). Use the RMS current consumption values to calculate total segment current.

In order to ensure device functionality, the sum of the dynamic and static currents of the I/O on a single segment should remain below the  $I_{MAXSEG}$  value given in the Table 8 (Device operating conditions). Use the dynamic current consumption values to calculate total segment current.

Pad mapping on each segment can be optimized using the pad usage information provided in the I/O Signal Description table. The sum of all pad usage ratios within a segment should remain below 100%.

#### NOTE

In order to maintain the required input thresholds for the SENT interface, the sum of all I/O pad output percent IR drop as defined in the I/O Signal Description table, must be below 50 %. See the I/O Signal Description attachment.

#### NOTE

The MPC5777M I/O Signal Description and Input Multiplexing Tables are contained in a Microsoft Excel<sup>®</sup> workbook file attached to this document. Locate the paperclip symbol on the left side of the PDF window, and click it. Double-click on the Excel file to open it and select the I/O Signal Description Table tab.

Table 19. I/O consumption<sup>1</sup>

Symbol		Parameter	Conditions <sup>2</sup>	Value			Unit
				Min	Typ	Max	
I <sub>RMS_W</sub>	CC	RMS I/O current for WEAK configuration	C <sub>L</sub> = 25 pF, 2 MHz V <sub>DD</sub> = 5.0 V ± 10%	—	—	1.1	mA
			C <sub>L</sub> = 50 pF, 1 MHz V <sub>DD</sub> = 5.0 V ± 10%	—	—	1.1	
			C <sub>L</sub> = 25 pF, 2 MHz V <sub>DD</sub> = 3.3 V ± 10%	—	—	0.6	
			C <sub>L</sub> = 50 pF, 1 MHz V <sub>DD</sub> = 3.3 V ± 10%	—	—	0.6	
I <sub>RMS_M</sub>	CC	RMS I/O current for MEDIUM configuration	C <sub>L</sub> = 25 pF, 12 MHz V <sub>DD</sub> = 5.0 V ± 10%	—	—	4.7	mA
			C <sub>L</sub> = 50 pF, 6 MHz V <sub>DD</sub> = 5.0 V ± 10%	—	—	4.8	
			C <sub>L</sub> = 25 pF, 12 MHz V <sub>DD</sub> = 3.3 V ± 10%	—	—	2.6	
			C <sub>L</sub> = 50 pF, 6 MHz V <sub>DD</sub> = 3.3 V ± 10%	—	—	2.7	
I <sub>RMS_S</sub>	CC	RMS I/O current for STRONG configuration	C <sub>L</sub> = 25 pF, 50 MHz V <sub>DD</sub> = 5.0 V ± 10%	—	—	19	mA
			C <sub>L</sub> = 50 pF, 25 MHz V <sub>DD</sub> = 5.0 V ± 10%	—	—	19	
			C <sub>L</sub> = 25 pF, 50 MHz V <sub>DD</sub> = 3.3 V ± 10%	—	—	10	
			C <sub>L</sub> = 50 pF, 25 MHz V <sub>DD</sub> = 3.3 V ± 10%	—	—	10	
I <sub>RMS_V</sub>	CC	RMS I/O current for VERY STRONG configuration	C <sub>L</sub> = 25 pF, 50 MHz, V <sub>DD</sub> = 5.0V +/- 10%	—	—	22	mA
			C <sub>L</sub> = 50 pF, 25 MHz, V <sub>DD</sub> = 5.0V ± 10%	—	—	22	
			C <sub>L</sub> = 25 pF, 50 MHz, V <sub>DD</sub> = 3.3V ± 10%	—	—	11	
			C <sub>L</sub> = 25 pF, 25 MHz, V <sub>DD</sub> = 3.3V ± 10%	—	—	11	
I <sub>RMS_EBI</sub>	CC	RMS I/O current for External Bus output pins	C <sub>DRV</sub> = 6 pF, f <sub>EBI</sub> = 66.7 MHz, V <sub>DD_HV_IO_EBI</sub> = 3.3 V ± 10%	—	—	9	mA
			C <sub>DRV</sub> = 12 pF, f <sub>EBI</sub> = 66.7 MHz, V <sub>DD_HV_IO_EBI</sub> = 3.3 V ± 10%	—	—	15	
			C <sub>DRV</sub> = 18 pF, f <sub>EBI</sub> = 66.7 MHz, V <sub>DD_HV_IO_EBI</sub> = 3.3 V ± 10%	—	—	27	
			C <sub>DRV</sub> = 30 pF, f <sub>EBI</sub> = 66.7 MHz, V <sub>DD_HV_IO_EBI</sub> = 3.3 V ± 10%	—	—	42	

Table 19. I/O consumption<sup>1</sup>

Symbol	Parameter	Conditions <sup>2</sup>	Value			Unit	
			Min	Typ	Max		
I <sub>DYN_W</sub> <sup>3</sup>	CC	Dynamic I/O current for WEAK configuration	C <sub>L</sub> = 25 pF, V <sub>DD</sub> = 5.0 V ± 10%	—	—	5.0	mA
			C <sub>L</sub> = 50 pF, V <sub>DD</sub> = 5.0 V ± 10%	—	—	5.1	
			C <sub>L</sub> = 25 pF, V <sub>DD</sub> = 3.3 V ± 10%	—	—	2.2	
			C <sub>L</sub> = 50 pF, V <sub>DD</sub> = 3.3 V ± 10%	—	—	2.3	
I <sub>DYN_M</sub>	CC	Dynamic I/O current for MEDIUM configuration	C <sub>L</sub> = 25 pF, V <sub>DD</sub> = 5.0 V ± 10%	—	—	15	mA
			C <sub>L</sub> = 50 pF, V <sub>DD</sub> = 5.0 V ± 10%	—	—	15.5	
			C <sub>L</sub> = 25 pF, V <sub>DD</sub> = 3.3 V ± 10%	—	—	7.0	
			C <sub>L</sub> = 50 pF, V <sub>DD</sub> = 3.3 V ± 10%	—	—	7.1	
I <sub>DYN_S</sub>	CC	Dynamic I/O current for STRONG configuration	C <sub>L</sub> = 25 pF, V <sub>DD</sub> = 5.0 V ± 10%	—	—	50	mA
			C <sub>L</sub> = 50 pF, V <sub>DD</sub> = 5.0 V ± 10%	—	—	55	
			C <sub>L</sub> = 25 pF, V <sub>DD</sub> = 3.3 V ± 10%	—	—	22	
			C <sub>L</sub> = 50 pF, V <sub>DD</sub> = 3.3 V ± 10%	—	—	25	
I <sub>DYN_V</sub>	CC	Dynamic I/O current for VERY STRONG configuration	C <sub>L</sub> = 25 pF, V <sub>DD</sub> = 5.0 V ± 10%	—	—	60	mA
			C <sub>L</sub> = 50 pF, V <sub>DD</sub> = 5.0 V ± 10%	—	—	64	
			C <sub>L</sub> = 25 pF, V <sub>DD</sub> = 3.3 V ± 10%	—	—	26	
			C <sub>L</sub> = 50 pF, V <sub>DD</sub> = 3.3 V ± 10%	—	—	29	
I <sub>DYN_EBI</sub> <sup>4</sup>	CC	Dynamic I/O current for External Bus output pins	C <sub>DRV</sub> = 10 pF, f <sub>EBI</sub> = 66.7 MHz, V <sub>DD_HV_IO_EBI</sub> = 3.3 V ± 10%	—	—	30	mA
			C <sub>DRV</sub> = 20 pF, f <sub>EBI</sub> = 66.7 MHz, V <sub>DD_HV_IO_EBI</sub> = 3.3 V ± 10%	—	—	50	
			C <sub>DRV</sub> = 30 pF, f <sub>EBI</sub> = 66.7 MHz, V <sub>DD_HV_IO_EBI</sub> = 3.3 V ± 10%	—	—	80	

<sup>1</sup> I/O current consumption specifications for the 4.5 V ≤ V<sub>DD\_HV\_IO</sub> ≤ 5.5 V range are valid for VSIO\_[VSIO\_xx] = 1, and VSIO[VSIO\_xx] = 0 for 3.0 V ≤ V<sub>DD\_HV\_IO</sub> ≤ 3.6 V.

## Electrical characteristics

- 2 During power up operation, the minimum required voltage to come out of reset state is determined by the  $V_{\text{PORUP\_HV}}$  monitor, which is defined in the voltage monitor electrical characteristics table. Note that the  $V_{\text{PORUP\_HV}}$  monitor is connected to the  $V_{\text{DD\_HV\_IO\_MAIN0}}$  physical I/O segment.
- 3 Stated maximum values represent peak consumption that lasts only a few ns during I/O transition. When possible (timed output) it is recommended to delay transition between pads by few cycles to reduce noise and consumption.
- 4 For  $I_{\text{DYN\_EBI\_GPIO}}$  dynamic current for EBI GPIO mode use the  $I_{\text{DYN\_M}}$  values.

## 3.8 Reset pad ( $\overline{\text{PORST}}$ , $\overline{\text{ESR0}}$ ) electrical characteristics

The device implements a dedicated bidirectional reset pin ( $\overline{\text{PORST}}$ ).

### NOTE

$\overline{\text{PORST}}$  pin does not require active control. It is possible to implement an external pull-up to ensure correct reset exit sequence. Recommended value is 4.7 k $\Omega$ .

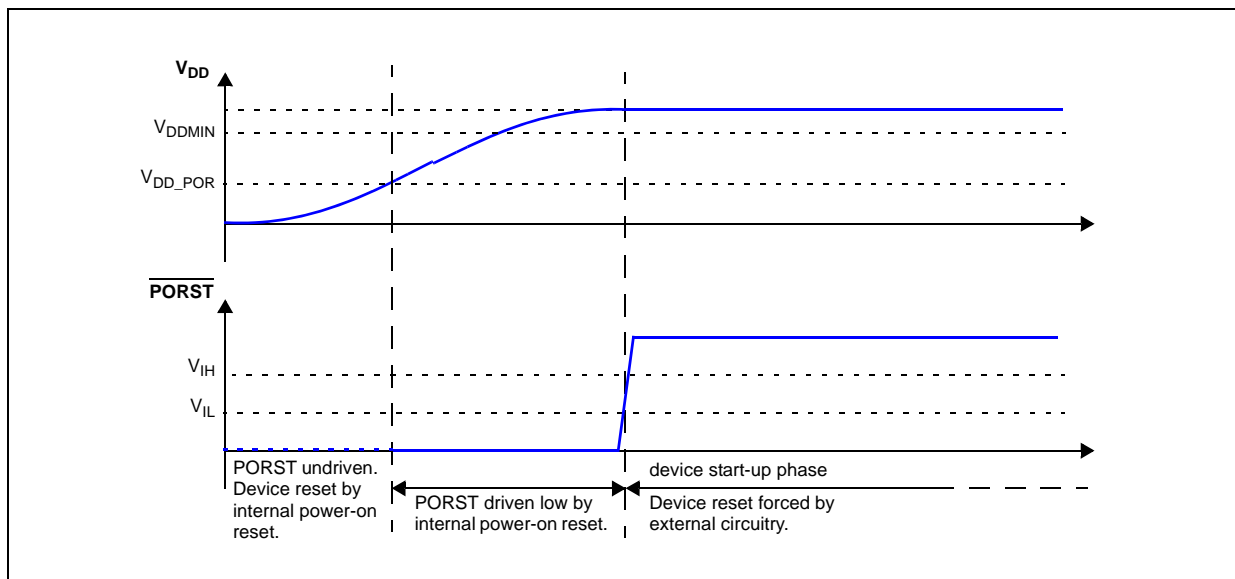


Figure 10. Start-up reset requirements

Figure 11 describes device behavior depending on supply signal on  $\overline{\text{PORST}}$ :

1.  $\overline{\text{PORST}}$  low pulse amplitude is too low—it is filtered by input buffer hysteresis. Device remains in current state.
2.  $\overline{\text{PORST}}$  low pulse duration is too short—it is filtered by a low pass filter. Device remains in current state.
3.  $\overline{\text{PORST}}$  low pulse generates a reset:
  - a)  $\overline{\text{PORST}}$  low but initially filtered during at least  $W_{\text{FRST}}$ . Device remains initially in current state.
  - b)  $\overline{\text{PORST}}$  potentially filtered until  $W_{\text{NFRST}}$ . Device state is unknown: it may either be reset or remains in current state depending on other factors (temperature, voltage, device).
  - c)  $\overline{\text{PORST}}$  asserted for longer than  $W_{\text{NFRST}}$ . Device is under reset.

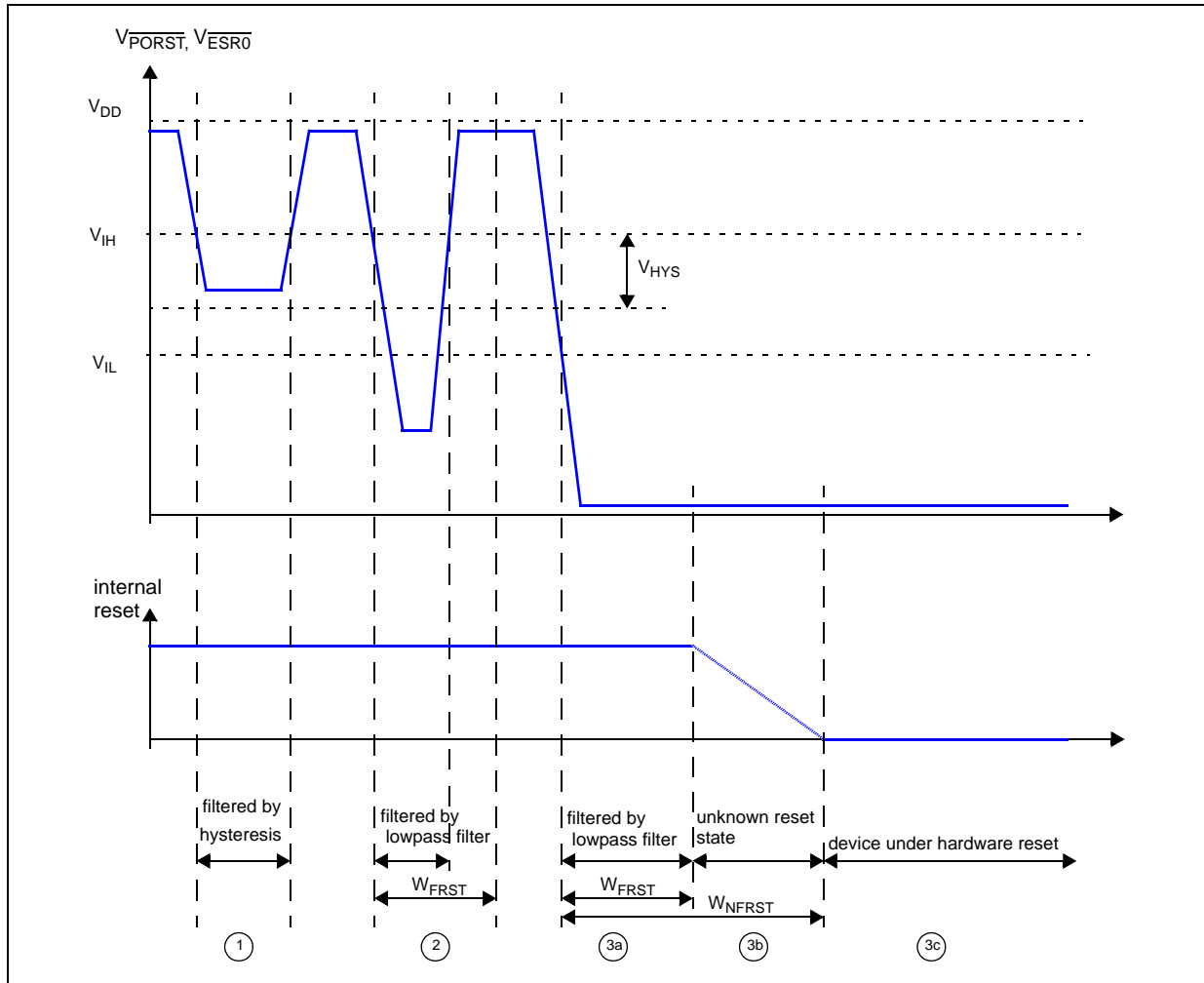


Figure 11. Noise filtering on reset signal

Table 20. Reset electrical characteristics

Symbol	Parameter	Conditions	Value <sup>1</sup>			Unit
			Min	Typ	Max	
$V_{IH}$	SR Input high level TTL (Schmitt trigger)	—	2.2	—	$V_{DD\_HV\_IO} + 0.4$	V
$V_{IL}$	SR Input low level TTL (Schmitt trigger)	—	-0.4	—	0.8	V
$V_{HYS}$	CC Input hysteresis TTL (Schmitt trigger)	—	300	—	—	mV
$V_{DD\_POR}$	CC Minimum supply for strong pull-down activation	—	—	—	1.2	V

Table 20. Reset electrical characteristics (continued)

Symbol	Parameter	Conditions	Value <sup>1</sup>			Unit	
			Min	Typ	Max		
I <sub>OL_R</sub>	CC	Strong pull-down current <sup>2</sup>	Device under power-on reset V <sub>DD_HV_IO</sub> = V <sub>DD_POR</sub> , V <sub>OL</sub> = 0.35 * V <sub>DD_HV_IO</sub>	0.2	—	—	mA
			Device under power-on reset 3.0 V < V <sub>DD_HV_IO</sub> < 5.5 V, V <sub>OL</sub> > 0.9 V	11	—	—	mA
I <sub>WPU</sub>	CC	Weak pull-up current absolute value	ESR0 pin V <sub>IN</sub> = 0.69 * V <sub>DD_HV_IO</sub>	23	—	—	μA
			ESR0 pin V <sub>IN</sub> = 0.49 * V <sub>DD_HV_IO</sub>	—	—	82	
I <sub>WPD</sub>	CC	Weak pull-down current absolute value	PORST pin V <sub>IN</sub> = 0.69 * V <sub>DD_HV_IO</sub>	—	—	130	μA
			PORST pin V <sub>IN</sub> = 0.49 * V <sub>DD_HV_IO</sub>	40	—	—	
W <sub>FRST</sub>	SR	PORST and ESR0 input filtered pulse	—	—	500	ns	
W <sub>NFRST</sub>	SR	PORST and ESR0 input not filtered pulse	—	2000	—	ns	
W <sub>FNMI</sub>	SR	ESR1 input filtered pulse	—	—	15	ns	
W <sub>NFNMI</sub>	SR	ESR1 input not filtered pulse	—	400	—	ns	

<sup>1</sup> An external 4.7 KOhm pull-up resistor is recommended to be used with the PORST and ESR0 pins for fast negation of the signals.

<sup>2</sup> I<sub>OL\_R</sub> applies to both PORST and ESR0: Strong pull-down is active on PHASE0 for PORST. Strong pull-down is active on PHASE0, PHASE1, PHASE2, and the beginning of PHASE3 for ESR0.

### NOTE

PORST can optionally be connected to an external power-on supply circuitry.

### NOTE

No restrictions exist on reset signal slew rate apart from absolute maximum rating compliance.

### 3.9 Oscillator and FMPLL

The Reference PLL (PLL0) and the System PLL (PLL1) generate the system and auxiliary clocks from the main oscillator driver.

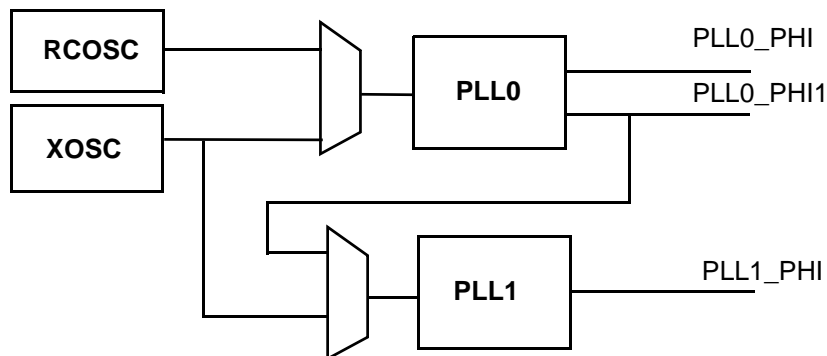


Figure 12. PLL integration

Table 21. PLL0 electrical characteristics

Symbol		Parameter	Conditions	Value			Unit
				Min	Typ	Max	
$f_{\text{PLL0IN}}$	SR	PLL0 input clock <sup>1,2</sup>	—	8	—	44	MHz
$\Delta_{\text{PLL0IN}}$	SR	PLL0 input clock duty cycle <sup>2</sup>	—	40	—	60	%
$f_{\text{PLL0VCO}}$	CC	PLL0 VCO frequency	—	600	—	1250	MHz
$f_{\text{PLL0VCOFR}}$	CC	PLL0 VCO free running frequency	—	35	—	400	MHz
$f_{\text{PLL0PHI}}$	CC	PLL0 output frequency	—	4.762	—	400	MHz
$t_{\text{PLL0LOCK}}$	CC	PLL0 lock time	—	—	—	110	$\mu\text{s}$
$ \Delta_{\text{PLL0PHISPJ}} $	CC	PLL0_PHI single period jitter <sup>3</sup> $f_{\text{PLL0IN}} = 20 \text{ MHz (resonator)}$	$f_{\text{PLL0PHI}} = 400 \text{ MHz,}$ 6-sigma	—	—	200	ps
$ \Delta_{\text{PLL0PHI1SPJ}} $	CC	PLL0_PHI1 single period jitter <sup>3</sup> $f_{\text{PLL0IN}} = 20 \text{ MHz (resonator)}$	$f_{\text{PLL0PHI1}} = 40 \text{ MHz,}$ 6-sigma	—	—	300 <sup>4</sup>	ps

Table 21. PLL0 electrical characteristics (continued)

Symbol		Parameter	Conditions	Value			Unit
				Min	Typ	Max	
$\Delta_{\text{PLL0LTJ}}$	CC	PLL0 output long term jitter <sup>3,4</sup> $f_{\text{PLL0IN}} = 20$ MHz (resonator), VCO frequency = 800 MHz	10 periods accumulated jitter (80 MHz equivalent frequency), 6-sigma pk-pk	—	—	$\pm 250$	ps
			16 periods accumulated jitter (50 MHz equivalent frequency), 6-sigma pk-pk	—	—	$\pm 300$	ps
			long term jitter ( $< 1$ MHz equivalent frequency), 6-sigma pk-pk)	—	—	$\pm 500$	ps
$I_{\text{PLL0}}$	CC	PLL0 consumption	FINE LOCK state	—	—	5	mA

<sup>1</sup>  $f_{\text{PLL0IN}}$  frequency must be scaled down using PLLDIG\_PLL0DV[PREDIV] to ensure PFD input signal is in the range 8 MHz–20 MHz.

<sup>2</sup> PLL0IN clock retrieved directly from either internal RCOSC or external XOSC clock. Input characteristics are granted when using internal RCOSC or external oscillator is used in functional mode.

<sup>3</sup> PLL jitter is guaranteed when transient currents on the  $V_{\text{DDL V}}$  supply are within the  $I_{\text{SPIKE}}$  parameter value in [Table 10 \(DC electrical specifications\)](#).

<sup>4</sup> Noise on the  $V_{\text{DD LV}}$  supply with frequency content below 40 KHz and above 50 MHz is filtered by the PLL. Noise on the  $V_{\text{DD LV}}$  supply with frequency content in the range of 40 KHz – 50 MHz must be filtered externally to the device.

Table 22. PLL1 electrical characteristics

Symbol		Parameter	Conditions	Value			Unit
				Min	Typ	Max	
$f_{\text{PLL1IN}}$	SR	PLL1 input clock <sup>1</sup>	—	38	—	78	MHz
$\Delta_{\text{PLL1IN}}$	SR	PLL1 input clock duty cycle <sup>1</sup>	—	35	—	65	%
$f_{\text{PLL1VCO}}$	CC	PLL1 VCO frequency	—	600	—	1250	MHz
$f_{\text{PLL1VCOFR}}$	CC	PLL1 VCO free running frequency	—	35	—	400	MHz
$f_{\text{PLL1PHI}}$	CC	PLL1 output clock PHI	—	4.762	—	600	MHz
$t_{\text{PLL1LOCK}}$	CC	PLL1 lock time	—	—	—	100	$\mu\text{s}$
$f_{\text{PLL1MOD}}$	CC	PLL1 modulation frequency	—	—	—	250	kHz
$ \delta_{\text{PLL1MOD}} $	CC	PLL1 modulation depth (when enabled)	Center spread	0.25	—	2	%
			Down spread	0.5	—	4	%
$I_{\text{PLL1}}$	CC	PLL1 consumption	FINE LOCK state	—	—	6	mA

<sup>1</sup> PLL1IN clock retrieved directly from either internal PLL0 or external XOSC clock. Input characteristics are granted when using internal PLL0 or external oscillator is used in functional mode.



Table 23. External Oscillator electrical specifications<sup>1</sup>

Symbol		Parameter	Conditions	Value		Unit
				Min	Max	
f <sub>XTAL</sub>	CC	Crystal Frequency Range <sup>2</sup>	—	4	8	MHz
			—	>8	20	
			—	>20	40	
t <sub>cst</sub>	CC	Crystal start-up time <sup>3,4</sup>	T <sub>J</sub> = 150 °C	—	5	ms
t <sub>rec</sub>	CC	Crystal recovery time <sup>5</sup>	—	—	0.5	ms
V <sub>IHEXT</sub>	CC	EXTAL input high voltage <sup>6,7</sup> (External Clock Input)	V <sub>REF</sub> = 0.28 * V <sub>DD_HV_IO_JTAG</sub>	V <sub>REF</sub> + 0.6	—	V
V <sub>ILEXT</sub>	CC	EXTAL input low voltage <sup>6,7</sup> (External Clock Input)	V <sub>REF</sub> = 0.28 * V <sub>DD_HV_IO_JTAG</sub>	—	V <sub>REF</sub> - 0.6	V
C <sub>S_xtal</sub>	CC	Total on-chip stray capacitance on XTAL/EXTAL pins <sup>8</sup>	BGA416, BGA512	8	8.6	pF
V <sub>EXTAL</sub>	CC	Oscillation Amplitude on the EXTAL pin after startup <sup>9</sup>	T <sub>J</sub> = -40 °C to 150 °C	0.5	1.6	V
V <sub>HYS</sub>	CC	Comparator Hysteresis	T <sub>J</sub> = -40 °C to 150 °C	0.1	1.0	V
I <sub>XTAL</sub>	CC	XTAL current <sup>13,10</sup>	T <sub>J</sub> = -40 °C to 150 °C	—	14	mA

<sup>1</sup> All oscillator specifications are valid for VDD\_HV\_IO\_JTAG = 3.0 V – 5.5 V.

<sup>2</sup> The range is selectable by UTEST miscellaneous DCF clients XOSC\_LF\_EN and XOSC\_EN\_40MHZ.

<sup>3</sup> This value is determined by the crystal manufacturer and board design.

<sup>4</sup> Proper PC board layout procedures must be followed to achieve specifications.

<sup>5</sup> Crystal recovery time is the time for the oscillator to settle to the correct frequency after adjustment of the integrated load capacitor value.

<sup>6</sup> This parameter is guaranteed by design rather than 100% tested.

<sup>7</sup> Applies to an external clock input and not to crystal mode.

<sup>8</sup> See crystal manufacturer's specification for recommended load capacitor (C<sub>L</sub>) values. The external oscillator requires external load capacitors when operating from 8 MHz to 16 MHz. Account for on-chip stray capacitance (C<sub>S\_EXTAL</sub>/C<sub>S\_XTAL</sub>) and PCB capacitance when selecting a load capacitor value. When operating at 20 MHz/40 MHz, the integrated load capacitor value is selected via S/W to match the crystal manufacturer's specification, while accounting for on-chip and PCB capacitance.

<sup>9</sup> Amplitude on the EXTAL pin after startup is determined by the ALC block, i.e., the Automatic Level Control Circuit. The function of the ALC is to provide high drive current during oscillator startup, but reduce current after oscillation in order to reduce power, distortion, and RFI, and to avoid over-driving the crystal. The operating point of the ALC is dependent on the crystal value and loading conditions.

<sup>10</sup> I<sub>XTAL</sub> is the oscillator bias current out of the XTAL pin with both EXTAL and XTAL pins grounded. This is the maximum current during startup of the oscillator. The current after oscillation is typically in the 2–3 mA range and is dependent on the load and series resistance of the crystal. Test circuit is shown in [Figure 13](#).

Table 24. Selectable load capacitance

load_cap_sel[4:0] from DCF record	Load capacitance <sup>1,2</sup> (pF)
00000	1.032
00001	1.976
00010	2.898
00011	3.823
00100	4.751
00101	5.679
00110	6.605
00111	7.536
01000	8.460
01001	9.390
01010	10.317
01011	11.245
01100	12.173
01101	13.101
01110	14.029
01111	14.957

<sup>1</sup> Values are determined from simulation across process corners and voltage and temperature variation. Capacitance values vary  $\pm 12\%$  across process, 0.25% across voltage, and no variation across temperature.

<sup>2</sup> Values in this table do not include the die and package capacitances given by Cs\_xtal/Cs\_extal in [Table 23 \(External Oscillator electrical specifications\)](#).

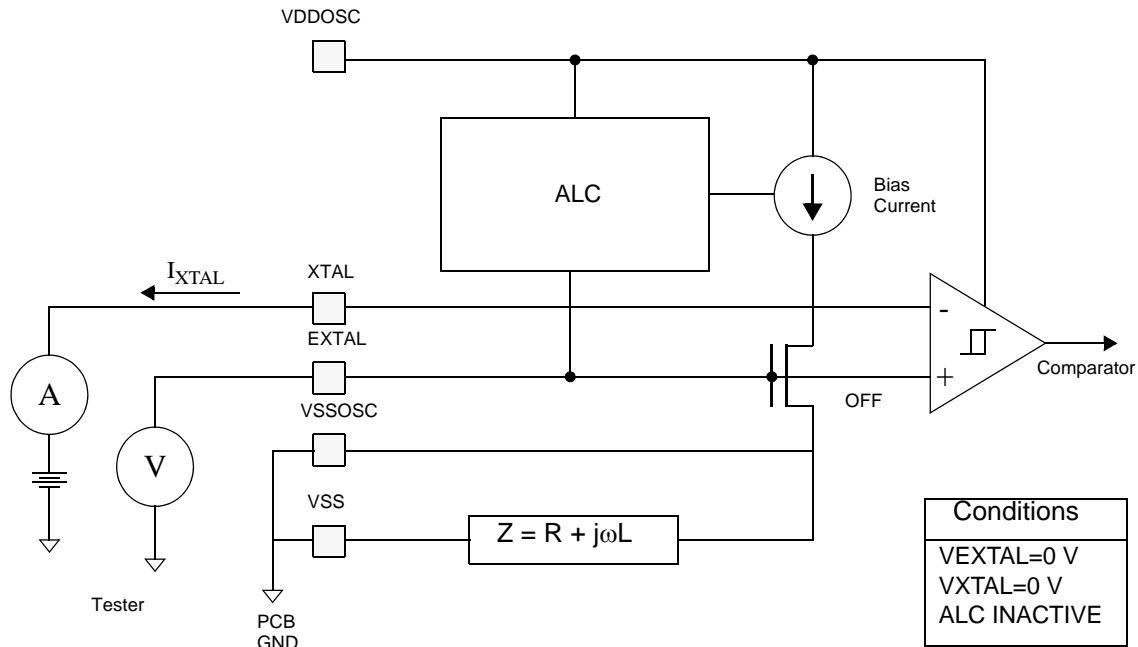


Figure 13. Test circuit

Table 25. Internal RC Oscillator electrical specifications

Symbol		Parameter	Conditions	Value			Unit
				Min	Typ	Max	
$f_{\text{Target}}$	CC	IRC target frequency	—	—	16	—	MHz
$\delta f_{\text{var\_noT}}$	CC	IRC frequency variation without temperature compensation	$T < 150\text{ }^{\circ}\text{C}$	-8	—	8	%
$\delta f_{\text{var\_T}}$	CC	IRC frequency variation with temperature compensation	$T < 150\text{ }^{\circ}\text{C}$	-3	—	3	%
$\delta f_{\text{var\_SW}}^1$	CC	IRC software trimming accuracy	Trimming temperature	-1	—	1	%
$\delta f_{\text{TPIM}}$		IRC Software trimming step	—	-48	—	+40	kHz
$T_{\text{start\_noT}}$	CC	Startup time to reach within $f_{\text{var\_noT}}$	No trimming	—	—	5	$\mu\text{s}$
$T_{\text{start\_T}}$	CC	Startup time to reach within $f_{\text{var\_T}}$	Factory trimming already applied	—	—	120	$\mu\text{s}$
$I_{\text{AVDD5}}$	CC	Current consumption on 5 V power supply	After $T_{\text{start\_T}}$	—	—	400	$\mu\text{A}$
$I_{\text{DVDD12}}$	CC	Current consumption on 1.2 V power supply	After $T_{\text{start\_T}}$	—	—	175	$\mu\text{A}$

<sup>1</sup> IRC software trimmed accuracy is performed either with the CMU\_0 clock monitor, using the XOSC as a reference or through the CCCU (CAN clock control Unit), extracting reference clock from CAN master clock. Software trim must be repeated as the device operating temperature varies in order to maintain the specified accuracy.

### 3.10 ADC specifications

#### 3.10.1 ADC input description

Figure 14 shows the input equivalent circuit for fast SARn channels.

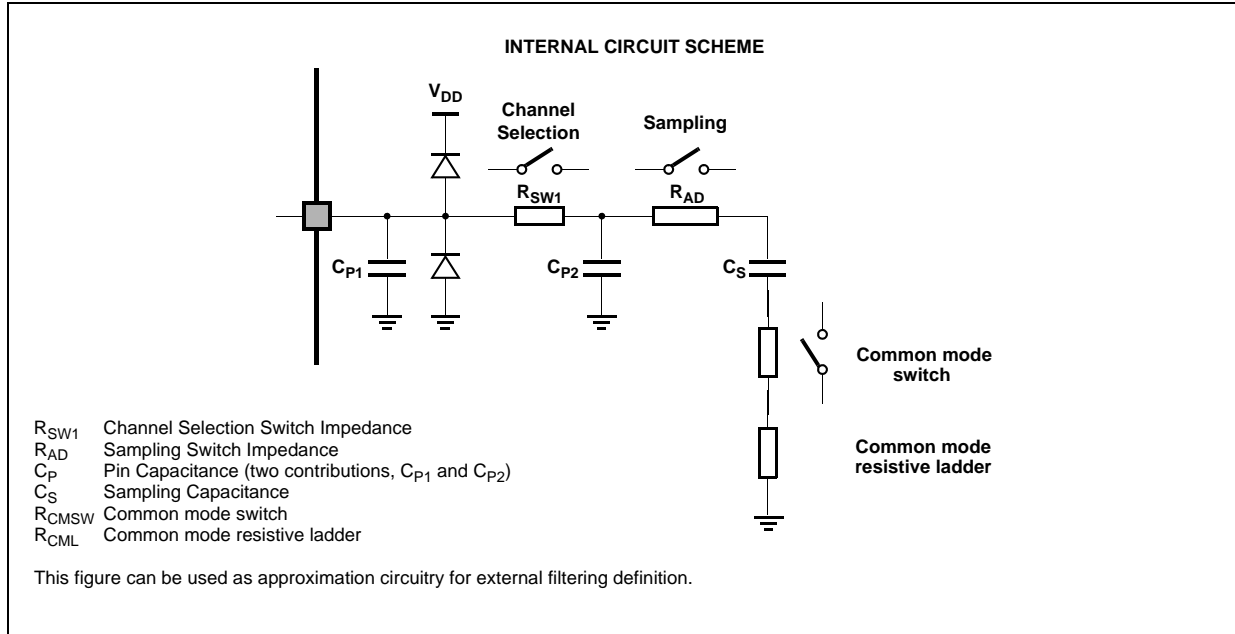


Figure 14. Input equivalent circuit (Fast SARn channels)

Figure 15 shows the input equivalent circuit for SARB channels.

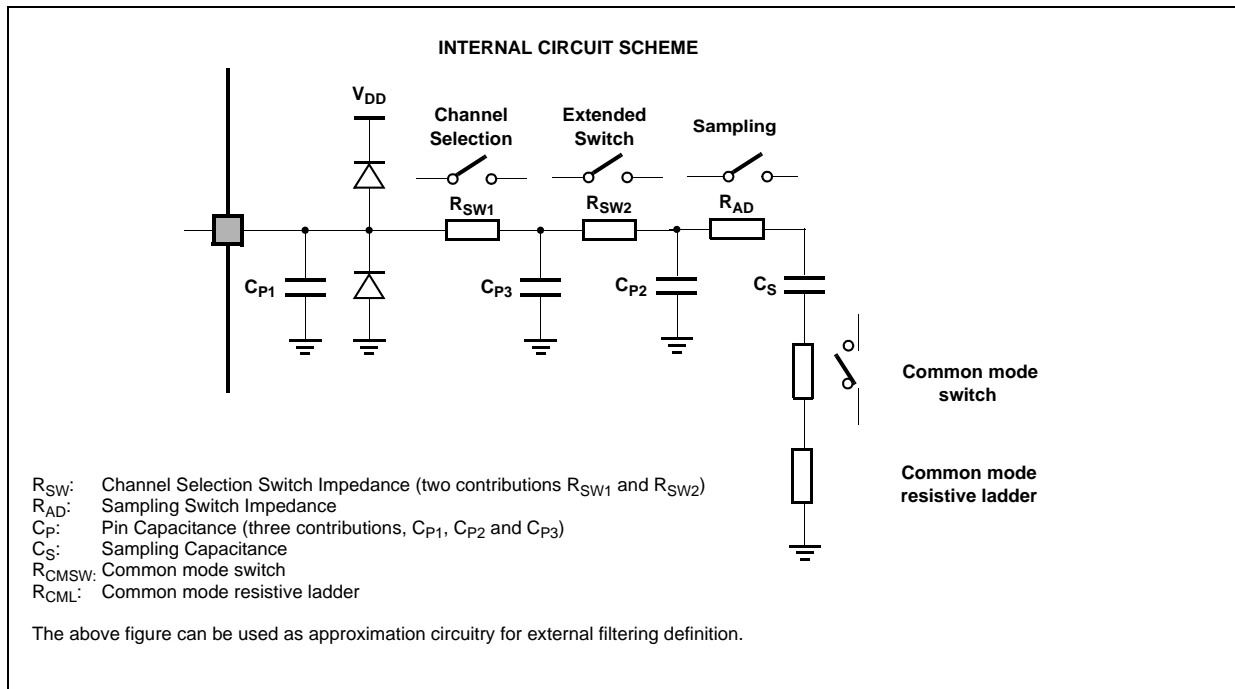


Figure 15. Input equivalent circuit (SARB channels)

Table 26. ADC pin specification<sup>1</sup>

Symbol	Parameter	Conditions	Value		Unit		
			Min	Max			
I <sub>LK_INUD</sub>	CC	Input leakage current, two ADC channels input with weak pull-up and weak pull-down	T <sub>J</sub> < 40 °C	—	50	nA	
			T <sub>J</sub> < 150 °C	—	150		
I <sub>LK_INUSD</sub>	CC	Input leakage current, two ADC channels input with weak pull-up and strong pull-down	T <sub>J</sub> < 40 °C	—	80	nA	
			T <sub>J</sub> < 150 °C	—	250		
I <sub>LK_INREF</sub>	CC	Input leakage current, two ADC channels input with weak pull-up and weak pull-down and alternate reference	T <sub>J</sub> < 40 °C	—	160	nA	
			T <sub>J</sub> < 150 °C	—	400		
I <sub>LK_INOUT</sub>	CC	Input leakage current, two ADC channels input, GPIO output buffer with weak pull-up and weak pull-down	T <sub>J</sub> < 40 °C	—	140	nA	
			T <sub>J</sub> < 150 °C	—	380		
I <sub>INJ</sub>	CC	Injection current on analog input preserving functionality	Applies to any analog pins		-3	3	mA
C <sub>HV_ADC</sub>	SR	V <sub>DD_HV_ADV</sub> external capacitance <sup>2</sup>		1	2.2	μF	
C <sub>P1</sub>	CC	Pad capacitance	—	0	10	pF	
C <sub>P2</sub>	CC	Internal routing capacitance	SARn channels	0	0.5	pF	
			SARB channels	0	1		
C <sub>P3</sub>	CC	Internal routing capacitance	Only for SARB channels	0	1	pF	
C <sub>S</sub>	CC	SAR ADC sampling capacitance	—	6	8.5	pF	
R <sub>SWn</sub>	CC	Analog switches resistance	SARn channels	0	1.1	kΩ	
			SARB channels	0	1.7		
R <sub>AD</sub>	CC	ADC input analog switches resistance	—	0	0.6	kΩ	
R <sub>CMSW</sub>	CC	Common mode switch resistance	—	0	2.6	kΩ	
R <sub>CMRL</sub>	CC	Common mode resistive ladder	—	0	3.5	kΩ	
R <sub>SAFE PD</sub> <sup>3</sup>	CC	Discharge resistance for AN7/AN35 channels (strong pull-down for safety)	—	0	300	Ω	

<sup>1</sup> All specifications in this table valid for the full input voltage range for the analog inputs.

<sup>2</sup> For noise filtering, add a high frequency bypass capacitance of 0.1 μF between V<sub>DD\_HV\_ADV</sub> and V<sub>SS\_HV\_ADV</sub>.

<sup>3</sup> Safety pull-down is available for port pin PB[5] and PE[14].

### 3.10.2 SAR ADC electrical specification

The SARn ADCs are 12-bit Successive Approximation Register analog-to-digital converters with full capacitive DAC. The SARn architecture allows input channel multiplexing.

Table 27. SARN ADC electrical specification<sup>1</sup>

Symbol		Parameter	Conditions	Value		Unit
				Min	Max	
$V_{\text{ALTREF}}$	SR	ADC alternate reference voltage	$V_{\text{ALTREF}} < V_{\text{DD\_HV\_IO\_MAIN}}$	2.0	$V_{\text{DD\_HV\_ADV\_S}}$	V
$V_{\text{IN}}$	SR	ADC input signal	$0 < V_{\text{IN}} < V_{\text{DD\_HV\_IO\_MAIN}}$	$V_{\text{SS\_HV\_ADR\_S}}$	$V_{\text{DD\_HV\_ADR\_S}}$	V
$f_{\text{ADCK}}$	SR	Clock frequency	$T_{\text{J}} < 150\text{ }^{\circ}\text{C}$	7.5	14.6	MHz
$t_{\text{ADCPRECH}}$	SR	ADC precharge time	Fast SAR—fast precharge	135	—	ns
			Fast SAR—full precharge	270	—	
			Slow SAR (SARADC_B)—fast precharge	270	—	
			Slow SAR (SARADC_B)—full precharge	540	—	
$\Delta V_{\text{PRECH}}$	SR	Precharge voltage precision	Full precharge $V_{\text{PRECH}} = V_{\text{DD\_HV\_ADR\_S}}/2$ $T_{\text{J}} < 150\text{ }^{\circ}\text{C}$	-0.25	0.25	V
			Fast precharge $V_{\text{PRECH}} = V_{\text{DD\_HV\_ADR\_S}}/2$ $T_{\text{J}} < 150\text{ }^{\circ}\text{C}$	-0.5	0.5	V
$\Delta V_{\text{INTREF}}$	CC	Internal reference voltage precision	Applies to all internal reference points ( $V_{\text{SS\_HV\_ADR\_S}}$ , $1/3 * V_{\text{DD\_HV\_ADR\_S}}$ , $2/3 * V_{\text{DD\_HV\_ADR\_S}}$ , $V_{\text{DD\_HV\_ADR\_S}}$ )	-0.20	0.20	V
$t_{\text{ADCSAMPLE}}$	SR	ADC sample time <sup>2</sup>	Fast SAR – 12-bit configuration	0.750	—	$\mu\text{s}$
			Slow SAR (SARADC_B) – 12-bit configuration	1.500	—	
$t_{\text{ADCEVAL}}$	SR	ADC evaluation time	12-bit configuration (25 clock cycles)	1.712	—	$\mu\text{s}$
$I_{\text{ADCREFH}}^{3,4}$	CC	ADC high reference current	Run mode $t_{\text{conv}} \geq 5\text{ }\mu\text{s}$ (average across all codes)	—	7	$\mu\text{A}$
			Run mode $t_{\text{conv}} = 2.5\text{ }\mu\text{s}$ (average across all codes)	—	7	
			Power Down mode	—	6	
			Bias Current <sup>5</sup>	—	+2	
$I_{\text{ADCREFL}}^4$	CC	ADC low reference current	Run mode $t_{\text{conv}} \geq 5\text{ }\mu\text{s}$ $V_{\text{DD\_HV\_ADR\_S}} \leq 5.5\text{ V}$	—	15	$\mu\text{A}$
			Run mode $t_{\text{conv}} = 2.5\text{ }\mu\text{s}$ $V_{\text{DD\_HV\_ADR\_S}} \leq 5.5\text{ V}$	—	30	
			Power Down mode $V_{\text{DD\_HV\_ADR\_S}} \leq 5.5\text{ V}$	—	1	

Table 27. SARn ADC electrical specification<sup>1</sup> (continued)

Symbol		Parameter	Conditions	Value		Unit
				Min	Max	
I <sub>ADV_S</sub> <sup>4</sup>	CC	V <sub>DD_HV_ADV_S</sub> power supply current (each ADC)	Run mode t <sub>conv</sub> ≥ 5 μs	—	4.0	mA
			Run mode t <sub>conv</sub> = 2.5 μs	—	4.0	
			Power Down mode	—	1.0	
TUE <sub>12</sub>	CC	Total unadjusted error in 12-bit configuration <sup>6</sup>	T <sub>J</sub> < 150 °C, V <sub>DD_HV_ADV_S</sub> > 4 V, V <sub>DD_HV_ADR_S</sub> > 4 V	-4	4	LSB (12b)
			T <sub>J</sub> < 150 °C, V <sub>DD_HV_ADV_S</sub> > 4 V, 4 V > V <sub>DD_HV_ADR_S</sub> > 2 V	-6	6	
			T <sub>J</sub> < 150 °C, 4 V > V <sub>DD_HV_ADV_S</sub> > 3.5 V	-12	12	

Table 27. SARn ADC electrical specification<sup>1</sup> (continued)

Symbol	Parameter	Conditions	Value		Unit	
			Min	Max		
$\Delta TUE_{12}$	CC	TUE degradation due to $V_{DD\_HV\_ADR\_S}$ offset with respect to $V_{DD\_HV\_ADV\_S}$	$V_{IN} < V_{DD\_HV\_ADV\_S}$ $V_{DD\_HV\_ADR\_S} - V_{DD\_HV\_ADV\_S} \in [0:25 \text{ mV}]$	0	0	LSB (12b)
			$V_{IN} < V_{DD\_HV\_ADV\_S}$ $V_{DD\_HV\_ADR\_S} - V_{DD\_HV\_ADV\_S} \in [25:50 \text{ mV}]$	-2	2	
			$V_{IN} < V_{DD\_HV\_ADV\_S}$ $V_{DD\_HV\_ADR\_S} - V_{DD\_HV\_ADV\_S} \in [50:75 \text{ mV}]$	-4	4	
			$V_{IN} < V_{DD\_HV\_ADV\_S}$ $V_{DD\_HV\_ADR\_S} - V_{DD\_HV\_ADV\_S} \in [75:100 \text{ mV}]$	-6	6	
			$V_{DD\_HV\_ADV\_S} < V_{IN} < V_{DD\_HV\_ADR\_S}$ $V_{DD\_HV\_ADR\_S} - V_{DD\_HV\_ADV\_S} \in [0:25 \text{ mV}]$	-2.5	2.5	
			$V_{DD\_HV\_ADV\_S} < V_{IN} < V_{DD\_HV\_ADR\_S}$ $V_{DD\_HV\_ADR\_S} - V_{DD\_HV\_ADV\_S} \in [25:50 \text{ mV}]$	-4	4	
			$V_{DD\_HV\_ADV\_S} < V_{IN} < V_{DD\_HV\_ADR\_S}$ $V_{DD\_HV\_ADR\_S} - V_{DD\_HV\_ADV\_S} \in [50:75 \text{ mV}]$	-7	7	
			$V_{DD\_HV\_ADV\_S} < V_{IN} < V_{DD\_HV\_ADR\_S}$ $V_{DD\_HV\_ADR\_S} - V_{DD\_HV\_ADV\_S} \in [75:100 \text{ mV}]$	-12	12	
DNL	CC	Differential non-linearity	$V_{DD\_HV\_ADV\_S} > 4 \text{ V}$ $V_{DD\_HV\_ADR\_S} > 4 \text{ V}$	-1	2	LSB (12b)
INL	CC	Integral non-linearity	$4.0 \text{ V} < V_{DD\_HV\_ADV\_S} < 5.5 \text{ V}$ $4.0 \text{ V} < V_{DD\_HV\_ADR\_S} < 5.5 \text{ V}$	-3	3	LSB (12b)
			$V_{DD\_HV\_ADV\_S} = 2 \text{ V}$ $V_{DD\_HV\_ADR\_S} = 2 \text{ V}$	-5	5	

<sup>1</sup> Functional operating conditions are given in the DC electrical specifications. Absolute maximum ratings are stress ratings only, and functional operation at the maxima is not guaranteed. Stress beyond the listed maxima may affect device reliability or cause permanent damage to the device.

<sup>2</sup> Minimum ADC sample times are dependent on adequate charge transfer from the external driving circuit to the internal sample capacitor. The time constant of the entire circuit must allow the sampling capacitor to charge within 1/2 LSB within the sampling window. Please refer to [Figure 14](#) and [Figure 15](#) for models of the internal ADC circuit, and the values to use in external RC sizing and calculating the sampling window duration.

<sup>3</sup>  $I_{ADCREFLH}$  and  $I_{ADCREFL}$  are independent from ADC clock frequency. It depends on conversion rate: consumption is driven by the transfer of charge between internal capacitances during the conversion.

<sup>4</sup> Current parameter values are for a single ADC.

<sup>5</sup> Extra bias current is present only when BIAS is selected.



<sup>6</sup> This parameter is guaranteed by bench validation with a small sample of typical devices, and tested in production to  $\pm 6$  LSB.

### 3.10.3 S/D ADC electrical specification

The SDn ADCs are Sigma Delta 16-bit analog-to-digital converters with 333 Ksps maximum output rate.

**Table 28. SDn ADC electrical specification<sup>1</sup>**

Symbol	Parameter	Conditions	Value			Unit	
			Min	Typ	Max		
$V_{IN}$	SR	ADC input signal	—			V	
$V_{IN\_PK2PK}^2$	SR	Input range peak to peak $V_{IN\_PK2PK} = V_{INP}^3 - V_{INM}^4$	Single ended $V_{INM} = V_{SS\_HV\_ADR\_D}$	$V_{DD\_HV\_ADR\_D}/GAIN$		V	
			Single ended $V_{INM} = 0.5 * V_{DD\_HV\_ADR\_D}$ GAIN = 1	$\pm 0.5 * V_{DD\_HV\_ADR\_D}$			
			Single ended $V_{INM} = 0.5 * V_{DD\_HV\_ADR\_D}$ GAIN = 2,4,8,16	$\pm V_{DD\_HV\_ADR\_D}/GAIN$			
			Differential, $0 < V_{IN} < V_{DD\_HV\_IO\_MAIN}$	$\pm V_{DD\_HV\_ADR\_D}/GAIN$			
$f_{ADCD\_M}$	SR	S/D modulator Input Clock	4	14.4	16	MHz	
$f_{ADCD\_S}$	SR	Output conversion rate	—	—	333	ksps	
—	CC	Oversampling ratio	Internal modulator	24	—	256	—
			External modulator	—	—	256	—
RESOLUTION	CC	S/D register resolution <sup>5</sup>	2's complement notation			16	bit
GAIN	SR	ADC gain	Defined via ADC_SD[PGA] register. Only integer powers of 2 are valid gain values.			1	—
$\delta_{GAIN}$	CC	Absolute value of the ADC gain error <sup>6,7</sup>	Before calibration (applies to gain setting = 1)	—	—	1.5	%
			After calibration, $\Delta V_{DD\_HV\_ADR\_D} < 5\%$ $\Delta V_{DD\_HV\_ADV\_D} < 10\%$ $\Delta T_J < 50\text{ }^\circ\text{C}$	—	—	5	mV
			After calibration, $\Delta V_{DD\_HV\_ADR\_D} < 5\%$ $\Delta V_{DD\_HV\_ADV\_D} < 10\%$ $\Delta T_J < 100\text{ }^\circ\text{C}$	—	—	7.5	
			After calibration, $\Delta V_{DD\_HV\_ADR\_D} < 5\%$ $\Delta V_{DD\_HV\_ADV\_D} < 10\%$ $\Delta T_J < 150\text{ }^\circ\text{C}$	—	—	10	

Table 28. SDn ADC electrical specification<sup>1</sup> (continued)

Symbol	Parameter	Conditions	Value			Unit	
			Min	Typ	Max		
V <sub>OFFSET</sub>	CC	Input Referred Offset Error <sup>6,7,8</sup>	Before calibration (applies to all gain settings – 1, 2, 4, 8, 16)	—	10* (1+1/gain)	20	mV
			After calibration, $\Delta V_{DD\_HV\_ADR\_D} < 10\%$ $\Delta T_J < 50\text{ }^\circ\text{C}$	—	—	5	
			After calibration, $\Delta V_{DD\_HV\_ADV\_D} < 10\%$ $\Delta T_J < 100\text{ }^\circ\text{C}$			7.5	
			After calibration, $\Delta V_{DD\_HV\_ADV\_D} < 10\%$ $\Delta T_J < 150\text{ }^\circ\text{C}$	0.5		10	
SNR <sub>DIFF150</sub>	CC	Signal to noise ratio in differential mode 150 ksp/s output rate	$4.5 < V_{DD\_HV\_ADV\_D} < 5.5^{9,10,17}$ $V_{DD\_HV\_ADR\_D} = V_{DD\_HV\_ADV\_D}$ GAIN = 1 $T_J < 150\text{ }^\circ\text{C}$	80	—	—	dBFS
			$4.5 < V_{DD\_HV\_ADV\_D} < 5.5^{9,10,17}$ $V_{DD\_HV\_ADR\_D} = V_{DD\_HV\_ADV\_D}$ GAIN = 2 $T_J < 150\text{ }^\circ\text{C}$	77	—	—	
			$4.5 < V_{DD\_HV\_ADV\_D} < 5.5^{9,10,17}$ $V_{DD\_HV\_ADR\_D} = V_{DD\_HV\_ADV\_D}$ GAIN = 4 $T_J < 150\text{ }^\circ\text{C}$	74	—	—	
			$4.5 < V_{DD\_HV\_ADV\_D} < 5.5^{9,10,17}$ $V_{DD\_HV\_ADR\_D} = V_{DD\_HV\_ADV\_D}$ GAIN = 8 $T_J < 150\text{ }^\circ\text{C}$	71	—	—	
			$4.5 < V_{DD\_HV\_ADV\_D} < 5.5^{9,10,17}$ $V_{DD\_HV\_ADR\_D} = V_{DD\_HV\_ADV\_D}$ GAIN = 16 $T_J < 150\text{ }^\circ\text{C}$	68	—	—	

Table 28. SDn ADC electrical specification<sup>1</sup> (continued)

Symbol	Parameter	Conditions	Value			Unit	
			Min	Typ	Max		
SNR <sub>DIFF333</sub>	CC	Signal to noise ratio in differential mode 333 ksp/s output rate	4.5 < V <sub>DD_HV_ADV_D</sub> < 5.5 <sup>9,10,17</sup> V <sub>DD_HV_ADR_D</sub> = V <sub>DD_HV_ADV_D</sub> GAIN = 1 T <sub>J</sub> < 150 °C	74	—	—	dBFS
			4.5 < V <sub>DD_HV_ADV_D</sub> < 5.5 <sup>9,10,17</sup> V <sub>DD_HV_ADR_D</sub> = V <sub>DD_HV_ADV_D</sub> GAIN = 2 T <sub>J</sub> < 150 °C	71	—	—	
			4.5 < V <sub>DD_HV_ADV_D</sub> < 5.5 <sup>9,10,17</sup> V <sub>DD_HV_ADR_D</sub> = V <sub>DD_HV_ADV_D</sub> GAIN = 4 T <sub>J</sub> < 150 °C	68	—	—	
			4.5 < V <sub>DD_HV_ADV_D</sub> < 5.5 <sup>9,10,17</sup> V <sub>DD_HV_ADR_D</sub> = V <sub>DD_HV_ADV_D</sub> GAIN = 8 T <sub>J</sub> < 150 °C	65	—	—	
			4.5 < V <sub>DD_HV_ADV_D</sub> < 5.5 <sup>9,10,17</sup> V <sub>DD_HV_ADR_D</sub> = V <sub>DD_HV_ADV_D</sub> GAIN = 16 T <sub>J</sub> < 150 °C	62	—	—	
SNR <sub>SE150</sub>	CC	Signal to noise ratio in single ended mode 150 ksp/s output rate <sup>11</sup>	4.5 < V <sub>DD_HV_ADV_D</sub> < 5.5 <sup>9,10,17</sup> V <sub>DD_HV_ADR_D</sub> = V <sub>DD_HV_ADV_D</sub> GAIN = 1 T <sub>J</sub> < 150 °C	74	—	—	dBFS
			4.5 < V <sub>DD_HV_ADV_D</sub> < 5.5 <sup>9,10,17</sup> V <sub>DD_HV_ADR_D</sub> = V <sub>DD_HV_ADV_D</sub> GAIN = 2 T <sub>J</sub> < 150 °C	71	—	—	
			4.5 < V <sub>DD_HV_ADV_D</sub> < 5.5 <sup>9,10,17</sup> V <sub>DD_HV_ADR_D</sub> = V <sub>DD_HV_ADV_D</sub> GAIN = 4 T <sub>J</sub> < 150 °C	68	—	—	
			4.5 < V <sub>DD_HV_ADV_D</sub> < 5.5 <sup>9,10,17</sup> V <sub>DD_HV_ADR_D</sub> = V <sub>DD_HV_ADV_D</sub> GAIN = 8 T <sub>J</sub> < 150 °C	65	—	—	
			4.5 < V <sub>DD_HV_ADV_D</sub> < 5.5 <sup>9,10,17</sup> V <sub>DD_HV_ADR_D</sub> = V <sub>DD_HV_ADV_D</sub> GAIN = 16 T <sub>J</sub> < 150 °C	62	—	—	
SFDR	CC	Spurious free dynamic range	GAIN = 1	60	—	—	dBc
			GAIN = 2	60	—	—	
			GAIN = 4	60	—	—	
			GAIN = 8	60	—	—	
			GAIN = 16	60	—	—	

Table 28. SDn ADC electrical specification<sup>1</sup> (continued)

Symbol		Parameter	Conditions	Value			Unit
				Min	Typ	Max	
Z <sub>DIFF</sub>	D	Differential Input impedance <sup>1213</sup>	GAIN=1	1000	1250	1500	kΩ
			GAIN=2	600	800	1000	
			GAIN=4	300	400	500	
			GAIN=8	200	250	300	
			GAIN=16	200	250	300	
Z <sub>CM</sub>	D	Common Mode Input impedance <sup>14 15</sup>	GAIN=1	1400	1800	2200	kΩ
			GAIN=2	1000	1300	1600	
			GAIN=4	700	950	1150	
			GAIN=8	500	650	800	
			GAIN=16	500	650	800	
R <sub>BIAS</sub>	D	Bare Bias resistance	—	110	144	180	kΩ
ΔV <sub>INTCM</sub>	D	common mode input reference voltage <sup>16</sup>	—	-12	—	+12	%
V <sub>BIAS</sub>	CC	Bias voltage	—	—	V <sub>DD_HV_</sub> ADR_D/2	—	V
δV <sub>BIAS</sub>	CC	Bias voltage accuracy	—	-2.5	—	+2.5	%
V <sub>cmrr</sub>	SR	Common mode rejection ratio	—	54	—	—	dB
R <sub>Caaf</sub>	SR	Anti-aliasing filter	External series resistance	—	—	20	kΩ
	CC		Filter capacitances	180	—	—	pF
f <sub>PASSBAND</sub>	CC	Pass band <sup>17</sup>	—	0.01	—	0.333 * f <sub>ADCD_S</sub>	kHz
δ <sub>RIPPLE</sub>	CC	Pass band ripple <sup>18</sup>	0.333 * f <sub>ADCD_S</sub>	-1	—	1	%
F <sub>rolloff</sub>	CC	Stop band attenuation	[0.5 * f <sub>ADCD_S</sub> , 1.0 * f <sub>ADCD_S</sub> ]	40	—	—	dB
			[1.0 * f <sub>ADCD_S</sub> , 1.5 * f <sub>ADCD_S</sub> ]	45	—	—	
			[1.5 * f <sub>ADCD_S</sub> , 2.0 * f <sub>ADCD_S</sub> ]	50	—	—	
			[2.0 * f <sub>ADCD_S</sub> , 2.5 * f <sub>ADCD_S</sub> ]	55	—	—	
			[2.5 * f <sub>ADCD_S</sub> , f <sub>ADCD_M/2</sub> ]	60	—	—	

Table 28. SDn ADC electrical specification<sup>1</sup> (continued)

Symbol		Parameter	Conditions	Value			Unit
				Min	Typ	Max	
$\delta_{\text{GROUP}}$	CC	Group delay	Within pass band – Tclk is $f_{\text{ADCD\_M}} / 2$	—	—	—	—
			OSR = 24	—	—	238.5	Tclk
			OSR = 28	—	—	278	
			OSR = 32	—	—	317.5	
			OSR = 36	—	—	357	
			OSR = 40	—	—	396.5	
			OSR = 44	—	—	436	
			OSR = 48	—	—	475.5	
			OSR = 56	—	—	554.5	
			OSR = 64	—	—	633.5	
			OSR = 72	—	—	712.5	
			OSR = 75	—	—	699	
			OSR = 80	—	—	791.5	
			OSR = 88	—	—	870.5	
			OSR = 96	—	—	949.5	
			OSR = 112	—	—	1107.5	
			OSR = 128	—	—	1265.5	
			OSR = 144	—	—	1423.5	
			OSR = 160	—	—	1581.5	
			OSR = 176	—	—	1739.5	
OSR = 192	—	—	1897.5				
OSR = 224	—	—	2213.5				
OSR = 256	—	—	2529.5				
		Distortion within pass band	-0.5/ $f_{\text{ADCD\_S}}$	—	+0.5/ $f_{\text{ADCD\_S}}$	—	
$f_{\text{HIGH}}$	CC	High pass filter 3dB frequency	Enabled	—	$10e-5 * f_{\text{ADCD\_S}}$	—	
$t_{\text{STARTUP}}$	CC	Start-up time from power down state	—	—	100	$\mu\text{s}$	
$t_{\text{LATENCY}}$	CC	Latency between input data and converted data when input mux does not change <sup>19</sup>	HPF = ON	—	—	$\delta_{\text{GROUP}} + f_{\text{ADCD\_S}}$	—
			HPF = OFF	—	—	$\delta_{\text{GROUP}}$	—

Table 28. SDn ADC electrical specification<sup>1</sup> (continued)

Symbol	Parameter	Conditions	Value			Unit	
			Min	Typ	Max		
t <sub>SETTLING</sub>	CC	Settling time after mux change	Analog inputs are muxed HPF = ON	—	—	$2 \cdot \delta_{\text{GROUP}} + 3 \cdot f_{\text{ADCD\_S}}$	—
			HPF = OFF	—	—	$2 \cdot \delta_{\text{GROUP}} + 2 \cdot f_{\text{ADCD\_S}}$	—
t <sub>ODRECOVERY</sub>	CC	Overdrive recovery time	After input comes within range from saturation HPF = ON	—	—	$2 \cdot \delta_{\text{GROUP}} + f_{\text{ADCD\_S}}$	—
			HPF = OFF	—	—	$2 \cdot \delta_{\text{GROUP}}$	—
C <sub>S_D</sub>	CC	S/D ADC sampling capacitance after sampling switch <sup>20</sup>	GAIN = 1, 2, 4, 8	—	—	75 * GAIN	fF
			GAIN = 16	—	—	600	fF
I <sub>BIAS</sub>	CC	Bias consumption	At least 1 ADCD enabled			3.5	mA
I <sub>ADV_D</sub>	CC	V <sub>DD_HV_ADV_D</sub> power supply current (each ADC)	ADCD enabled	—	—	3.5	mA
ΣI <sub>ADR_D</sub>	CC	Sum of all ADC reference consumption	ADCD enabled, f <sub>ADCD_M</sub> = 14.4 MHz	—	—	30	μA
SINAD <sub>DIFF150</sub>	CC	Signal to Noise and Distortion Ratio, Differential Mode, 150 Ksps output rate	Gain = 1 4.5 V < V <sub>DD_HV_ADV_D</sub> < 5.5 V V <sub>DD_HV_ADR_D</sub> = V <sub>DD_HV_ADV_D</sub> T <sub>j</sub> < 150 °C	72	—	—	dBFS
			Gain = 2 4.5 V < V <sub>DD_HV_ADV_D</sub> < 5.5 V V <sub>DD_HV_ADR_D</sub> = V <sub>DD_HV_ADV_D</sub> T <sub>j</sub> < 150 °C	72	—	—	
			Gain = 4 4.5 V < V <sub>DD_HV_ADV_D</sub> < 5.5 V V <sub>DD_HV_ADR_D</sub> = V <sub>DD_HV_ADV_D</sub> T <sub>j</sub> < 150 °C	69	—	—	
			Gain = 8 4.5 V < V <sub>DD_HV_ADV_D</sub> < 5.5 V V <sub>DD_HV_ADR_D</sub> = V <sub>DD_HV_ADV_D</sub> T <sub>j</sub> < 150 °C	68.8	—	—	
			Gain = 16 4.5 V < V <sub>DD_HV_ADV_D</sub> < 5.5 V V <sub>DD_HV_ADR_D</sub> = V <sub>DD_HV_ADV_D</sub> T <sub>j</sub> < 150 °C	64.8	—	—	

Table 28. SDn ADC electrical specification<sup>1</sup> (continued)

Symbol	Parameter	Conditions	Value			Unit	
			Min	Typ	Max		
SINAD <sub>DIFF333</sub>	CC	Signal to Noise and Distortion Ratio, Single-ended Mode, 150Ksps output rate	Gain = 1 4.5 V < V <sub>DD_HV_ADV_D</sub> < 5.5 V V <sub>DD_HV_ADR_D</sub> = V <sub>DD_HV_ADV_D</sub> T <sub>j</sub> < 150 °C	66	—	—	dBFS
			Gain = 2 4.5 V < V <sub>DD_HV_ADV_D</sub> < 5.5 V V <sub>DD_HV_ADR_D</sub> = V <sub>DD_HV_ADV_D</sub> T <sub>j</sub> < 150 °C	66	—	—	
			Gain = 4 4.5 V < V <sub>DD_HV_ADV_D</sub> < 5.5 V V <sub>DD_HV_ADR_D</sub> = V <sub>DD_HV_ADV_D</sub> T <sub>j</sub> < 150 °C	63	—	—	
			Gain = 8 4.5 V < V <sub>DD_HV_ADV_D</sub> < 5.5 V V <sub>DD_HV_ADR_D</sub> = V <sub>DD_HV_ADV_D</sub> T <sub>j</sub> < 150 °C	62	—	—	
			Gain = 16 4.5 V < V <sub>DD_HV_ADV_D</sub> < 5.5 V V <sub>DD_HV_ADR_D</sub> = V <sub>DD_HV_ADV_D</sub> T <sub>j</sub> < 150 °C	59	—	—	
SINAD <sub>SE150</sub>	CC	Signal to Noise and Distortion Ratio, Single-ended Mode, 150Ksps output rate	Gain = 1 4.5 V < V <sub>DD_HV_ADV_D</sub> < 5.5 V V <sub>DD_HV_ADR_D</sub> = V <sub>DD_HV_ADV_D</sub> T <sub>j</sub> < 150 °C	66	—	—	dBFS
			Gain = 2 4.5 V < V <sub>DD_HV_ADV_D</sub> < 5.5 V V <sub>DD_HV_ADR_D</sub> = V <sub>DD_HV_ADV_D</sub> T <sub>j</sub> < 150 °C	66	—	—	
			Gain = 4 4.5 V < V <sub>DD_HV_ADV_D</sub> < 5.5 V V <sub>DD_HV_ADR_D</sub> = V <sub>DD_HV_ADV_D</sub> T <sub>j</sub> < 150 °C	63	—	—	
			Gain = 8 4.5 V < V <sub>DD_HV_ADV_D</sub> < 5.5 V V <sub>DD_HV_ADR_D</sub> = V <sub>DD_HV_ADV_D</sub> T <sub>j</sub> < 150 °C	62	—	—	
			Gain = 16 4.5 V < V <sub>DD_HV_ADV_D</sub> < 5.5 V V <sub>DD_HV_ADR_D</sub> = V <sub>DD_HV_ADV_D</sub> T <sub>j</sub> < 150 °C	59	—	—	

Table 28. SDn ADC electrical specification<sup>1</sup> (continued)

Symbol	Parameter	Conditions	Value			Unit	
			Min	Typ	Max		
THD <sub>DIFF150</sub>	CC	Total Harmonic Distortion, Differential Mode, 150Ksps output rate	Gain = 1 4.5 V < V <sub>DD_HV_ADV_D</sub> < 5.5 V V <sub>DD_HV_ADR_D</sub> = V <sub>DD_HV_ADV_D</sub> T <sub>j</sub> < 150 °C	65	—	—	dBFS
			Gain = 2 4.5 V < V <sub>DD_HV_ADV_D</sub> < 5.5 V V <sub>DD_HV_ADR_D</sub> = V <sub>DD_HV_ADV_D</sub> T <sub>j</sub> < 150 °C	68	—	—	
			Gain = 4 4.5 V < V <sub>DD_HV_ADV_D</sub> < 5.5 V V <sub>DD_HV_ADR_D</sub> = V <sub>DD_HV_ADV_D</sub> T <sub>j</sub> < 150 °C	74	—	—	
			Gain = 8 4.5 V < V <sub>DD_HV_ADV_D</sub> < 5.5 V V <sub>DD_HV_ADR_D</sub> = V <sub>DD_HV_ADV_D</sub> T <sub>j</sub> < 150 °C	80	—	—	
			Gain = 16 4.5 V < V <sub>DD_HV_ADV_D</sub> < 5.5 V V <sub>DD_HV_ADR_D</sub> = V <sub>DD_HV_ADV_D</sub> T <sub>j</sub> < 150 °C	80	—	—	
THD <sub>DIFF333</sub>	CC	Total Harmonic Distortion, Differential Mode, 333Ksps output rate	Gain = 1 4.5 V < V <sub>DD_HV_ADV_D</sub> < 5.5 V V <sub>DD_HV_ADR_D</sub> = V <sub>DD_HV_ADV_D</sub> T <sub>j</sub> < 150 °C	65	—	—	dBFS
			Gain = 2 4.5 V < V <sub>DD_HV_ADV_D</sub> < 5.5 V V <sub>DD_HV_ADR_D</sub> = V <sub>DD_HV_ADV_D</sub> T <sub>j</sub> < 150 °C	68	—	—	
			Gain = 4 4.5 V < V <sub>DD_HV_ADV_D</sub> < 5.5 V V <sub>DD_HV_ADR_D</sub> = V <sub>DD_HV_ADV_D</sub> T <sub>j</sub> < 150 °C	74	—	—	
			Gain = 8 4.5 V < V <sub>DD_HV_ADV_D</sub> < 5.5 V V <sub>DD_HV_ADR_D</sub> = V <sub>DD_HV_ADV_D</sub> T <sub>j</sub> < 150 °C	80	—	—	
			Gain = 16 4.5 V < V <sub>DD_HV_ADV_D</sub> < 5.5 V V <sub>DD_HV_ADR_D</sub> = V <sub>DD_HV_ADV_D</sub> T <sub>j</sub> < 150 °C	80	—	—	



Table 28. SDn ADC electrical specification<sup>1</sup> (continued)

Symbol	Parameter	Conditions	Value			Unit	
			Min	Typ	Max		
THD <sub>SE150</sub>	CC	Total Harmonic Distortion, Single-ended Mode, 150Ksps output rate	Gain = 1 4.5 V < V <sub>DD_HV_ADV_D</sub> < 5.5 V V <sub>DD_HV_ADR_D</sub> = V <sub>DD_HV_ADV_D</sub> T <sub>j</sub> < 150 °C	68	—	—	dBFS
			Gain = 2 4.5 V < V <sub>DD_HV_ADV_D</sub> < 5.5 V V <sub>DD_HV_ADR_D</sub> = V <sub>DD_HV_ADV_D</sub> T <sub>j</sub> < 150 °C	68	—	—	
			Gain = 4 4.5 V < V <sub>DD_HV_ADV_D</sub> < 5.5 V V <sub>DD_HV_ADR_D</sub> = V <sub>DD_HV_ADV_D</sub> T <sub>j</sub> < 150 °C	68	—	—	
			Gain = 8 4.5 V < V <sub>DD_HV_ADV_D</sub> < 5.5 V V <sub>DD_HV_ADR_D</sub> = V <sub>DD_HV_ADV_D</sub> T <sub>j</sub> < 150 °C	68	—	—	
			Gain = 16 4.5 V < V <sub>DD_HV_ADV_D</sub> < 5.5 V V <sub>DD_HV_ADR_D</sub> = V <sub>DD_HV_ADV_D</sub> T <sub>j</sub> < 150 °C	68	—	—	

- <sup>1</sup> Functional operating conditions are given in the DC electrical specifications. Absolute maximum ratings are stress ratings only, and functional operation at the maxima is not guaranteed. Stress beyond the listed maxima may affect device reliability or cause permanent damage to the device.
- <sup>2</sup> For input voltage above the maximum and below the clamp voltage of the input pad, there is no latch-up concern, and the signal will only be 'clipped'.
- <sup>3</sup> V<sub>INP</sub> is the input voltage applied to the positive terminal of the SDADC.
- <sup>4</sup> V<sub>INM</sub> is the input voltage applied to the negative terminal of the SDADC.
- <sup>5</sup> When using a GAIN setting of 16, the conversion result will always have a value of zero in the least significant bit. The gives an effective resolution of 15 bits.
- <sup>6</sup> Offset and gain error due to temperature drift can occur in either direction (+/-) for each of the SDADCs on the device.
- <sup>7</sup> Calibration of gain is possible when gain = 1.  
Offset Calibration should be done with respect to 0.5\*V<sub>DD\_HV\_ADR\_D</sub> for *differential mode* and *single ended mode with negative input=0.5\*V<sub>DD\_HV\_ADR\_D</sub>*.  
Offset Calibration should be done with respect to 0 for "single ended mode with negative input=0".  
Both offset and Gain Calibration is guaranteed for ±5% variation of V<sub>DD\_HV\_ADR\_D</sub>, ±10% variation of V<sub>DD\_HV\_ADV\_D</sub>, and ± 50 °C temperature variation.
- <sup>8</sup> Conversion offset error must be divided by the applied gain factor (1, 2, 4, 8, or 16) to obtain the actual input referred offset error.
- <sup>9</sup> S/D ADC is functional in the range 3.6 V – 4.5 V, SNR parameter degrades by 3 dB. Degraded SNR value based on simulation.
- <sup>10</sup> S/D ADC is functional in the range 3.0 V – 4.5 V, SNR parameter degrades by 9 dB. Degraded SNR value based on simulation.
- <sup>11</sup> This parameter is guaranteed by bench validation with a small sample of typical devices, and tested in production to a value of 6 dB less.
- <sup>12</sup> Input impedance in differential mode Z<sub>IN</sub>(input impedance) = Z<sub>DIFF</sub>.

## Electrical characteristics

- <sup>13</sup> Impedance given at  $F_{ADCD\_M} = 16$  MHz. Impedance is inversely proportional to SDADC clock frequency.  
 $Z_{DIFF}(F_{ADCD\_M}) = (16 \text{ MHz} / F_{ADCD\_M}) * Z_{DIFF}$ ,  $Z_{CM}(F_{ADCD\_M}) = (16 \text{ MHz} / F_{ADCD\_M}) * Z_{CM}$ .
- <sup>14</sup> Input impedance in single-ended mode  $Z_{IN} = (2 * Z_{DIFF} * Z_{CM}) / (Z_{DIFF} + Z_{CM})$ .
- <sup>15</sup> Impedance given at  $F_{ADCD\_M} = 16$  MHz. Impedance is inversely proportional to SDADC clock frequency.  
 $Z_{DIFF}(F_{ADCD\_M}) = (16 \text{ MHz} / F_{ADCD\_M}) * Z_{DIFF}$ ,  $Z_{CM}(F_{ADCD\_M}) = (16 \text{ MHz} / F_{ADCD\_M}) * Z_{CM}$ .
- <sup>16</sup>  $V_{intcm}$  is the common mode input reference voltage for the SDADC, and has a nominal value of  $(V_{DD\_HV\_ADC} - V_{SS\_HV\_ADC}) / 2$ .
- <sup>17</sup> SNR values guaranteed only if external noise on the ADC input pin is attenuated by the required SNR value in the frequency range of  $f_{ADCD\_M} - f_{ADCD\_S}$  to  $f_{ADCD\_M} + f_{ADCD\_S}$ , where  $f_{ADCD\_M}$  is the input sampling frequency, and  $f_{ADCD\_S}$  is the output sample frequency. A proper external input filter should be used to remove any interfering signals in this frequency range.
- <sup>18</sup> The  $\pm 1\%$  passband ripple specification is equivalent to  $20 * \log_{10}(0.99) = 0.087$  dB.
- <sup>19</sup> Propagation of the information from the pin to the register CDR[CDATA] and flags SFR[DFF], SFR[DFFF] is given by the different modules that need to be crossed: delta/sigma filters, high pass filter, fifo module, clock domain synchronizers. The time elapsed between data availability at pin and internal S/D module registers is given by the below formula:
- $$\text{REGISTER LATENCY} = t_{\text{LATENCY}} + 0.5/f_{ADCD\_S} + 2(\sim+1)/f_{ADCD\_M} + 2(\sim+1)f_{PBRIDGE\_CLK}$$
- where  $f_{ADCD\_S}$  is the frequency of the sampling clock,  $f_{ADCD\_M}$  is the frequency of the modulator, and  $f_{PBRIDGE\_CLK}$  is the frequency of the peripheral bridge clock feeds to the ADC S/D module. The  $(\sim+1)$  symbol refers to the number of clock cycles uncertainty (from 0 to 1 clock cycle) to be added due to resynchronization of the signal during clock domain crossing.
- Some further latency may be added by the target module (core, DMA, interrupt) controller to process the data received from the ADC S/D module.
- <sup>20</sup> This capacitance does not include pin capacitance, that can be considered together with external capacitance, before sampling switch.

## 3.11 Temperature sensor

The following table describes the temperature sensor electrical characteristics.

**Table 29. Temperature sensor electrical characteristics**

Symbol	Parameter	Conditions	Value			Unit
			Min	Typ	Max	
—	CC	Temperature monitoring range	—40	—	150	°C
$T_{SENS}$	CC	Sensitivity	—	5.18	—	mV/°C
$T_{ACC}$	CC	Accuracy	—3	—	3	°C
$I_{TEMP\_SENS}$	CC	$V_{DD\_HV\_ADV\_S}$ power supply current	—	—	700	µA

## 3.12 LVDS Fast Asynchronous Serial Transmission (LFAST) pad electrical characteristics

The LFAST pad electrical characteristics apply to both the SIPI and high-speed debug serial interfaces on the device. The same LVDS pad is used for the Microsecond Channel (MSC) and DSPI LVDS interfaces, with different characteristics given in the following tables.

### 3.12.1 LFAST interface timing diagrams

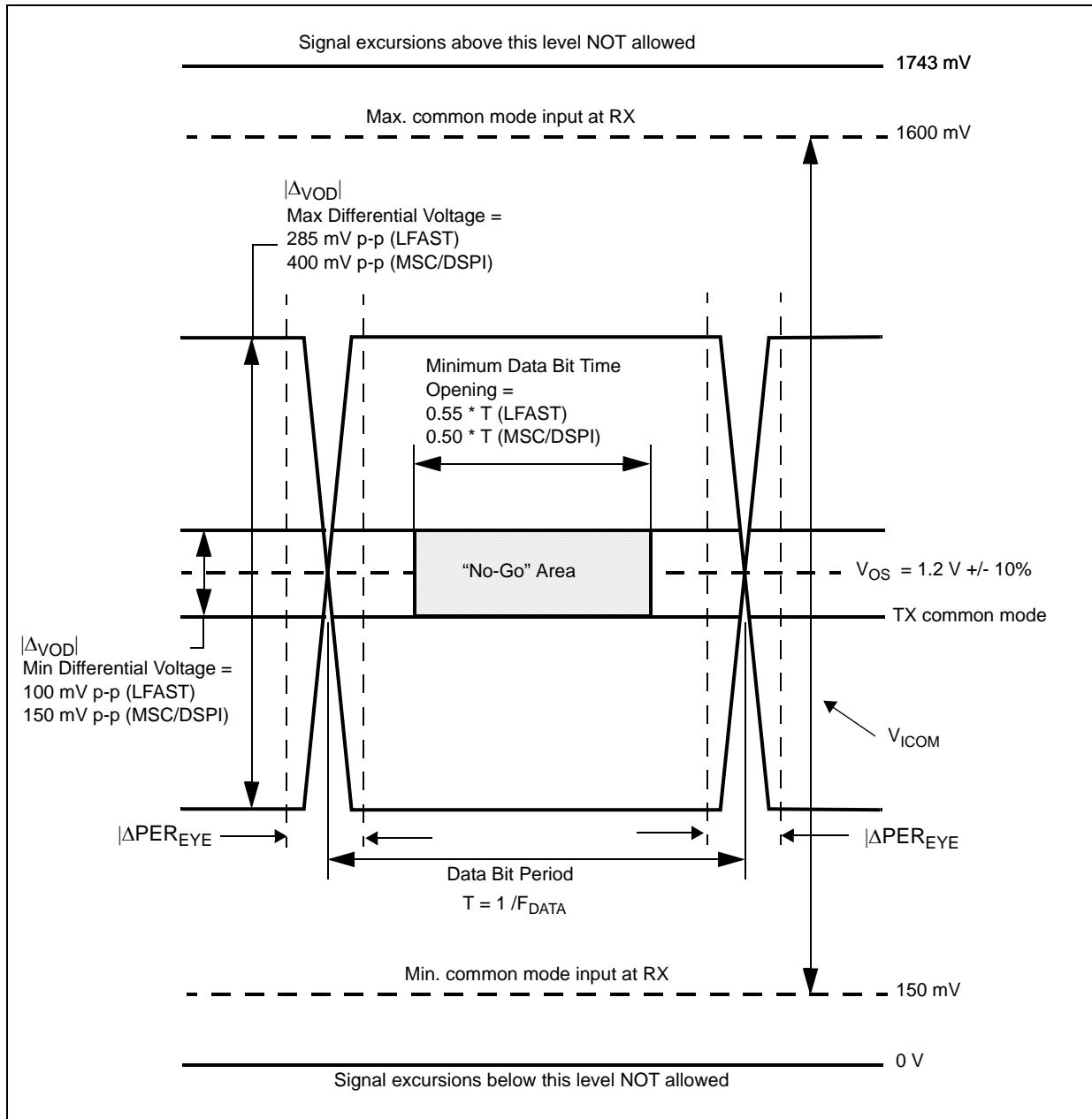


Figure 16. LFAST and MSC/DSPI LVDS timing definition

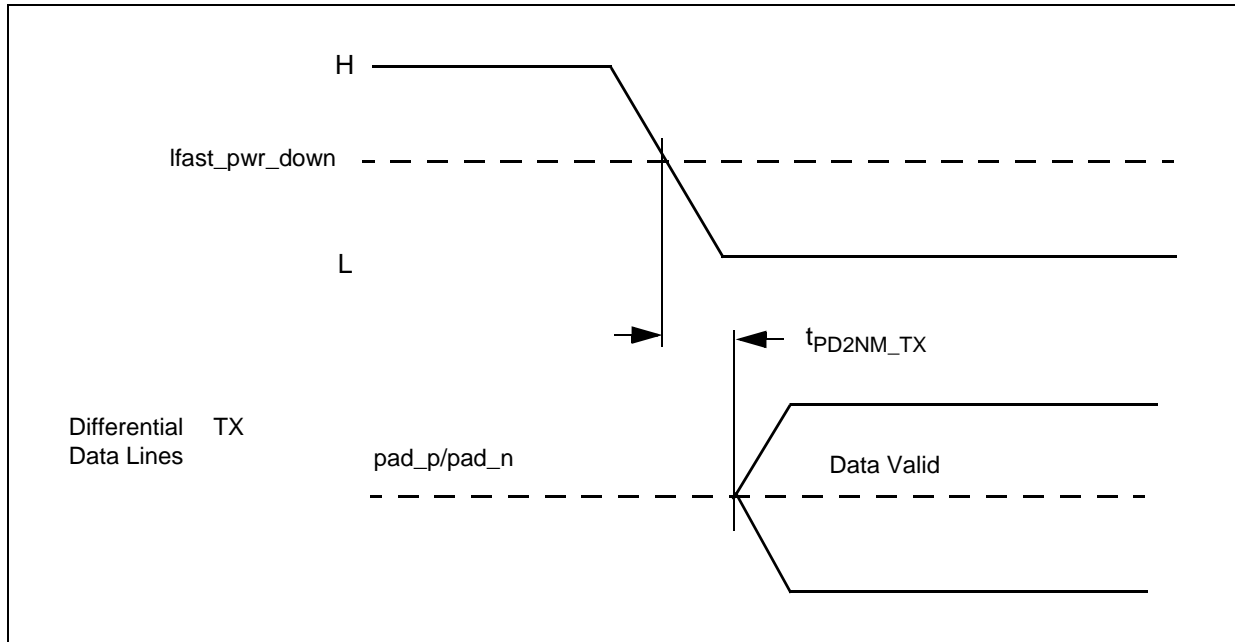


Figure 17. Power-down exit time

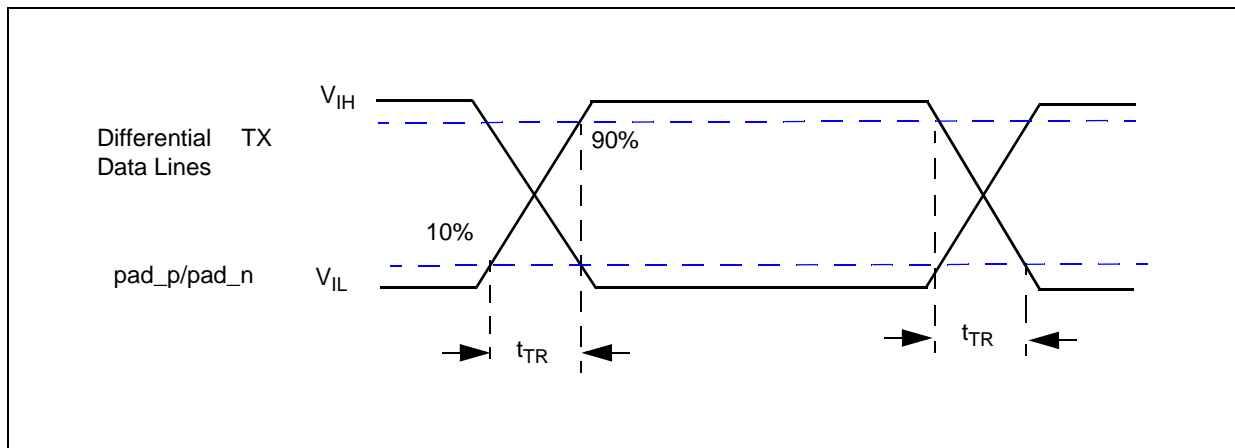


Figure 18. Rise/fall time

### 3.12.2 LFAST and MSC/DSPI LVDS interface electrical characteristics

The following table contains the electrical characteristics for the LFAST interface.

Table 30. LVDS pad startup and receiver electrical characteristics<sup>1,2</sup>

Symbol	Parameter	Conditions	Value			Unit
			Min	Typ	Max	
<b>STARTUP<sup>3,4</sup></b>						
t <sub>STRT_BIAS</sub>	CC	Bias current reference startup time <sup>5</sup>	—	0.5	4	μs
t <sub>PD2NM_TX</sub>	CC	Transmitter startup time (power down to normal mode) <sup>6</sup>	—	0.4	2.75	μs

Table 30. LVDS pad startup and receiver electrical characteristics<sup>1,2</sup> (continued)

Symbol		Parameter	Conditions	Value			Unit
				Min	Typ	Max	
$t_{SM2NM\_TX}$	CC	Transmitter startup time (sleep mode to normal mode) <sup>7</sup>	Not applicable to the MSC/DSPI LVDS pad	—	0.2	0.5	μs
$t_{PD2NM\_RX}$	CC	Receiver startup time (power down to normal mode) <sup>8</sup>	—	—	20	40	ns
$t_{PD2SM\_RX}$	CC	Receiver startup time (power down to sleep mode) <sup>9</sup>	Not applicable to the MSC/DSPI LVDS pad	—	20	50	ns
$I_{LVDS\_BIAS}$	CC	LVDS bias current consumption	Tx or Rx enabled	—	—	0.95	mA
<b>TRANSMISSION LINE CHARACTERISTICS (PCB Track)</b>							
$Z_0$	SR	Transmission line characteristic impedance	—	47.5	50	52.5	Ω
$Z_{DIFF}$	SR	Transmission line differential impedance	—	95	100	105	Ω
<b>RECEIVER</b>							
$V_{ICOM}$	SR	Common mode voltage	—	0.15 <sup>10</sup>	—	1.6 <sup>11</sup>	V
$ \Delta V_I $	SR	Differential input voltage <sup>12</sup>	—	100	—	—	mV
$V_{HYS}$	CC	Input hysteresis	—	25	—	—	mV
$R_{IN}$	CC	Terminating resistance	3.0 V–5.5 V	80	125	150	Ω
$C_{IN}$	CC	Differential input capacitance <sup>13</sup>	—	—	3.5	6.0	pF
$I_{LVDS\_RX}$	CC	Receiver DC current consumption	Enabled	—	—	0.5	mA

<sup>1</sup> The LVDS pad startup and receiver electrical characteristics in this table apply to both the LFAST & High-speed Debug (HSD) LVDS pad, and the MSC/DSPI LVDS pad except where noted in the conditions.

<sup>2</sup> All LVDS pad electrical characteristics are valid from –40 °C to 150 °C.

<sup>3</sup> All startup times are defined after a 2 peripheral bridge clock delay from writing to the corresponding enable bit in the LVDS control registers (LCR) of the LFAST and High-Speed Debug modules. The value of the LCR bits for the LFAST/HSD modules don't take effect until the corresponding SIUL2 MSCR ODC bits are set to LFAST LVDS mode. Startup times for MSC/DSPI LVDS are defined after 2 peripheral bridge clock delay after selecting MSC/DSPI LVDS in the corresponding SIUL2 MSCR ODC field.

<sup>4</sup> Startup times are valid for the maximum external loads CL defined in both the LFAST/HSD and MSC/DSPI transmitter electrical characteristic tables.

<sup>5</sup> Bias startup time is defined as the time taken by the current reference block to reach the settling bias current after being enabled.

<sup>6</sup> Total transmitter startup time from power down to normal mode is  $t_{STRT\_BIAS} + t_{PD2NM\_TX} + 2$  peripheral bridge clock periods.

<sup>7</sup> Total transmitter startup time from sleep mode to normal mode is  $t_{SM2NM\_TX} + 2$  peripheral bridge clock periods. Bias block remains enabled in sleep mode.

<sup>8</sup> Total receiver startup time from power down to normal mode is  $t_{STRT\_BIAS} + t_{PD2NM\_RX} + 2$  peripheral bridge clock periods.

<sup>9</sup> Total receiver startup time from power down to sleep mode is  $t_{PD2SM\_RX} + 2$  peripheral bridge clock periods. Bias block remains enabled in sleep mode.

<sup>10</sup> Absolute min =  $0.15\text{ V} - (285\text{ mV}/2) = 0\text{ V}$

<sup>11</sup> Absolute max =  $1.6\text{ V} + (285\text{ mV}/2) = 1.743\text{ V}$

## Electrical characteristics

<sup>12</sup> The LXRXP[0] bit in the LFAST LVDS Control Register (LCR) must be set to one to ensure proper LFAST receive timing.

<sup>13</sup> Total internal capacitance including receiver and termination, co-bonded GPIO pads, and package contributions.

**Table 31. LFAST transmitter electrical characteristics<sup>1,2</sup>**

Symbol		Parameter	Conditions	Value			Unit
				Min	Typ	Max	
f <sub>DATA</sub>	SR	Data rate	—	—	—	312/320 <sup>3</sup>	Mbps
V <sub>OS</sub>	CC	Common mode voltage	—	1.08	—	1.32	V
V <sub>OD</sub>	CC	Differential output voltage swing (terminated) <sup>4,5</sup>	—	110	171	285	mV
t <sub>TR</sub>	CC	Rise/Fall time (absolute value of the differential output voltage swing) <sup>4,5</sup>	—	0.26	—	1.5	ns
C <sub>L</sub>	SR	External lumped differential load capacitance <sup>3</sup>	V <sub>DD_HV_IO</sub> = 4.5 V	—	—	10.0	pF
			V <sub>DD_HV_IO</sub> = 3.0 V	—	—	8.5	
I <sub>LVDS_TX</sub>	CC	Transmitter DC current consumption	Enabled	—	—	3.2	mA

<sup>1</sup> The LFAST and High-Speed Debug LFAST pad electrical characteristics are based on worst case internal capacitance values shown in [Figure 19](#).

<sup>2</sup> All LFAST and High-Speed Debug LVDS pad electrical characteristics are valid from –40 °C to 150 °C.

<sup>3</sup> The 312 Mbps data rate is achieved with a 26 MHz reference clock, and 320 Mbps is achieved with a 10 or 20 MHz reference clock.

<sup>4</sup> Valid for maximum data rate f<sub>DATA</sub>. Value given is the capacitance on each terminal of the differential pair, as shown in [Figure 19](#).

<sup>5</sup> Valid for maximum external load C<sub>L</sub>.

**Table 32. MSC/DSPI LVDS transmitter electrical characteristics<sup>1,2</sup>**

Symbol		Parameter	Conditions	Value			Unit
				Min	Typ	Max	
Data Rate							
f <sub>DATA</sub>	SR	Data rate	—	—	—	80	Mbps
V <sub>OS</sub>	CC	Common mode voltage	—	1.08	—	1.32	V
V <sub>OD</sub>	CC	Differential output voltage swing (terminated) <sup>3,4</sup>	—	150	214	400	mV
t <sub>TR</sub>	CC	Rise/Fall time (absolute value of the differential output voltage swing) <sup>3,4</sup>	—	0.8	—	4.0	ns
C <sub>L</sub>	SR	External lumped differential load capacitance <sup>3</sup>	V <sub>DD_HV_IO</sub> = 4.5 V	—	—	50	pF
			V <sub>DD_HV_IO</sub> = 3.0 V	—	—	39	
I <sub>LVDS_TX</sub>	CC	Transmitter DC current consumption	Enabled	—	—	4.0	mA

<sup>1</sup> The MSC and DSPI LVDS pad electrical characteristics are based on the application circuit and typical worst case internal capacitance values given in [Figure 19](#).

<sup>2</sup> All MSC and DSPI LVDS pad electrical characteristics are valid from –40 °C to 150 °C.

- <sup>3</sup> Valid for maximum data rate  $f_{DATA}$ . Value given is the capacitance on each terminal of the differential pair, as shown in Figure 19.
- <sup>4</sup> Valid for maximum external load  $C_L$ .

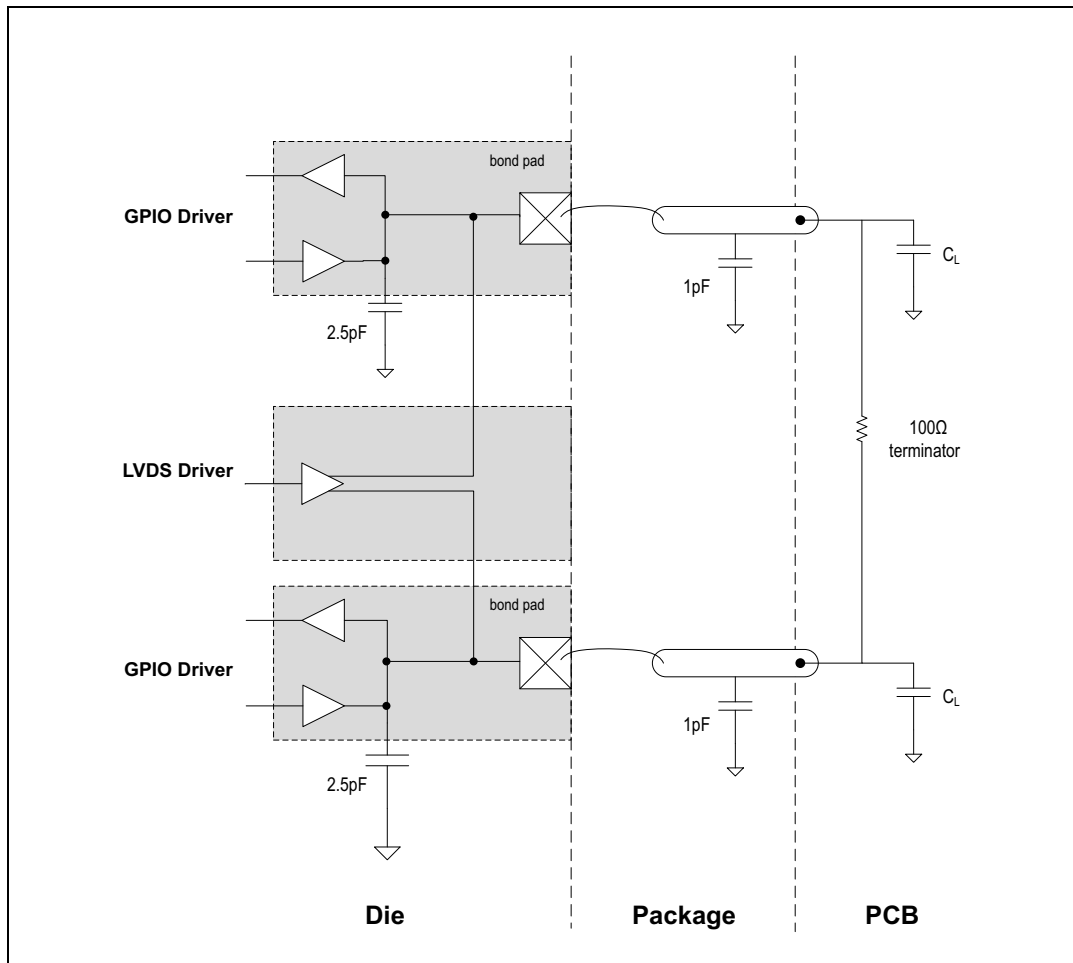


Figure 19. LVDS pad external load diagram

### 3.12.3 LFAST PLL electrical characteristics

The following table contains the electrical characteristics for the LFAST PLL.

Table 33. LFAST PLL electrical characteristics<sup>1</sup>

Symbol	Parameter	Conditions	Value			Unit
			Min	Nominal	Max	
$f_{RF\_REF}$	SR PLL reference clock frequency	—	10	—	26	MHz
$ERR_{REF}$	CC PLL input reference clock frequency error	—	-1	—	1	%
$DC_{REF}$	CC PLL input reference clock duty cycle	—	45	—	55	%
PN	CC Integrated phase noise (single side band)	$f_{RF\_REF} = 20$ MHz	—	—	-58	dBc
		$f_{RF\_REF} = 10$ MHz	—	—	-64	

Table 33. LFAST PLL electrical characteristics<sup>1</sup> (continued)

Symbol	Parameter	Conditions	Value			Unit
			Min	Nominal	Max	
f <sub>VCO</sub>	CC PLL VCO frequency	—	—	640 <sup>2</sup>	—	MHz
t <sub>LOCK</sub>	CC PLL phase lock <sup>3</sup>	—	—	—	40	μs
ΔPER <sub>REF</sub>	SR Input reference clock jitter (peak to peak)	Single period, f <sub>RF_REF</sub> = 10 MHz	—	—	300	ps
		Long term, f <sub>RF_REF</sub> = 10 MHz	-500	—	500	ps
ΔPER <sub>EYE</sub>	CC Output Eye Jitter (peak to peak) <sup>4</sup>	—	—	—	400	ps

<sup>1</sup> The specifications in this table apply to both the interprocessor bus and debug LFAST interfaces.

<sup>2</sup> The 640 MHz frequency is achieved with a 10 MHz or 20 MHz reference clock. With a 26 MHz reference, the VCO frequency is 624 MHz.

<sup>3</sup> The time from the PLL enable bit register write to the start of phase locks is maximum 2 clock cycles of the peripheral bridge clock that is connected to the PLL on the device.

<sup>4</sup> Measured at the transmitter output across a 100 Ohm termination resistor on a device evaluation board. See Figure 19.

### 3.13 Aurora LVDS electrical characteristics

The following table describes the Aurora LVDS electrical characteristics.

#### NOTE

The Aurora interface is AC coupled, so there is no common-mode voltage specification.

Table 34. Aurora LVDS electrical characteristics<sup>1,2</sup>

Symbol	Parameter	Conditions	Value			Unit
			Min	Typ	Max	
<b>Transmitter</b>						
F <sub>TX</sub>	CC Transmit Data Rate	—	—	—	1.25	Gbps
ΔV <sub>OD_LVDS</sub>	CC Differential output voltage swing (terminated) <sup>3</sup>	—	±400	±600	±800	mV
t <sub>TR_LVDS</sub>	CC Rise/Fall time (10%–90% of swing)	—	60	—	—	ps
R <sub>V_L_Tx</sub>	SR Differential Terminating resistance	—	81	100	120	Ω
T <sub>Loss</sub>	CC Transmission Line Loss due to loading effects	—	—	—	6 <sup>4</sup>	dB
<b>Transmission line characteristics (PCB track)</b>						
L <sub>LINE</sub>	SR Transmission line length	—	—	—	20	cm
Z <sub>LINE</sub>	SR Transmission line characteristic impedance	—	45	50	55	Ω
C <sub>ac_clk</sub>	SR Clock Receive Pin External AC Coupling Capacitance	Values are nominal, valid for +/- 50% tolerance	100	—	270	pF



Table 34. Aurora LVDS electrical characteristics<sup>1,2</sup> (continued)

Symbol		Parameter	Conditions	Value			Unit
				Min	Typ	Max	
$C_{ac\_tx}$	SR	Transmit Lane External AC Coupling Capacitance	Values are nominal, valid for +/- 50% tolerance	250	—	2000	pF
<b>Receiver</b>							
$F_{RX}$	CC	Receive Clock Rate	$T_J = 150\text{ }^\circ\text{C}$	—	—	1.25	Gbps
$ \Delta V_{LL} $	SR	Differential input voltage (peak to peak)	—	200	—	1000	mV
$R_{V\_L\_Rx}$	CC	Differential Terminating resistance	—	81	100	120	$\Omega$

<sup>1</sup> All Aurora electrical characteristics are valid from  $-40\text{ }^\circ\text{C}$  to  $150\text{ }^\circ\text{C}$ , except where noted.

<sup>2</sup> All specifications valid for maximum transmit data rate  $F_{TX}$ .

<sup>3</sup> The minimum value of 400 mV is only valid for differential terminating resistance ( $R_{V\_L}$ ) = 99 ohm to 101 ohm. The differential output voltage swing tracks with the value of  $R_{V\_L}$ .

<sup>4</sup> Transmission line loss maximum value is specified for the maximum drive level of the Aurora transmit pad.

### 3.14 Power management: PMC, POR/LVD, sequencing

#### 3.14.1 Power management electrical characteristics

The power management module monitors the different power supplies. It also generates the internal supplies that are required for correct device functionality. The power management is supplied by the  $V_{DD\_HV\_PMC}$  supply (see Table 8).

#### 3.14.2 Power management integration

In order to ensure correct functionality of the device, it is recommended to follow below integration scheme.

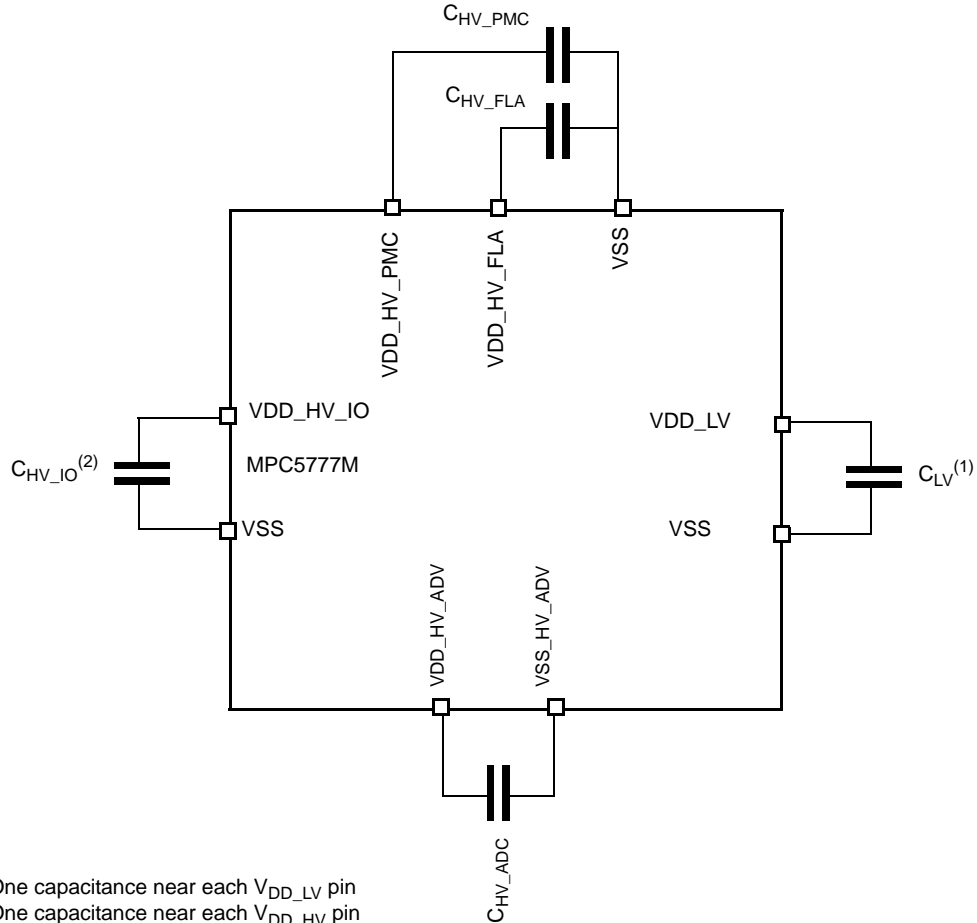


Figure 20. Recommended supply pin circuits

The following table describes the supply stability capacitances required on the device for proper operation.

**Table 35. Device power supply integration**

Symbol		Parameter		Conditions	Value <sup>1</sup>			Unit
					Min	Typ	Max	
C <sub>LV</sub>	SR	Minimum VDD_LV external capacitance <sup>2</sup>	Bulk capacitance	External regulator bandwidth > 20 KHz	10	—	—	μF
			Total bypass capacitance at external pin <sup>3</sup>		Note 3	—	—	
C <sub>HV_IO</sub>	SR	Minimum VDD_HV_IO external capacitance		—	4.7	—	—	μF
C <sub>HV_FL A</sub>	SR	Minimum VDD_HV_FL A external capacitance <sup>4,5</sup>		—	0.75	1.5	—	μF
C <sub>HV_PMC</sub>	SR	Minimum V <sub>DD_HV_PMC</sub> External Capacitance <sup>6,7</sup>		512 BGA balls A29, B28, F24, and G23	2.2	4.7	—	μF
C <sub>HV_ADC</sub>	SR	Minimum V <sub>DD_HV_ADV</sub> external capacitance <sup>8</sup>			1.5	3.3	—	μF

<sup>1</sup> See Figure 20 for capacitor integration.

<sup>2</sup> Recommended X7R or X5R ceramic low ESR capacitors, ±15% variation over voltage, temperature, and aging.

<sup>3</sup> Each VDD\_LV pin requires both a 0.1 μF and 0.01 μF capacitor for high-frequency bypass and EMC requirements.

<sup>4</sup> The recommended flash regulator composition capacitor is 1.5 μF typical X7R or X5R, with –50% and +35% as min and max. This puts the min cap at 0.75 μF.

<sup>5</sup> Start-up time of the internal flash regulator from release of the LVD360 is worst case 500 us. This is based on the typical CHV\_FL A bulk capacitance value.

<sup>6</sup> For noise filtering it is recommended to add a high frequency bypass capacitance of 0.1 μF between V<sub>DD\_HV\_PMC</sub> and V<sub>SS\_HV</sub>.

<sup>7</sup> In the 512BGA package, V<sub>DD\_HV\_PMC</sub> is shorted to V<sub>DD\_HV\_IO\_MAIN</sub>. Use a local 200 nF capacitor on 512BGA balls A29, B28, F24, G3, in addition to the normal V<sub>DD\_HV\_IO\_MAIN</sub> bulk and local external capacitance.

<sup>8</sup> For noise filtering it is recommended to add a high frequency bypass capacitance of 0.1 μF between V<sub>DD\_HV\_ADV</sub> and V<sub>SS\_HV\_ADV</sub>.

### 3.14.3 3.3 V flash supply

**Table 36. Flash power supply**

Symbol		Parameter		Conditions	Value			Unit
					Min	Typ	Max	
V <sub>DD_HV_FL A</sub> <sup>1</sup>	CC	Flash regulator DC output voltage		Before trimming	3.1 <sup>2</sup>	3.3	3.5	V
				After trimming –40°C ≤ T <sub>J</sub> ≤ 25°C	3.15	3.3	3.4	
				After trimming 25°C < T <sub>J</sub> ≤ 150°C	3.10	3.3	3.4	

<sup>1</sup> Min value accounts for all static and dynamic variations of the regulator (min cap as 0,75uF).

<sup>2</sup> Min value of 3.1 V for VDD\_HV\_REG at 3.15V assumes that the auxiliary regulator on VDD\_LV does not actively provide any current to the chip. If the auxiliary regulator actively provides current, the min value may go lower than 3.1 V drop to IR drop caused by auxiliary current demanding on VDD\_HV\_REG supply.

### 3.14.4 Device voltage monitoring

The LVD/HVDs and their associated levels for the device are given in the following table. The figure below illustrates the workings of voltage monitoring threshold.

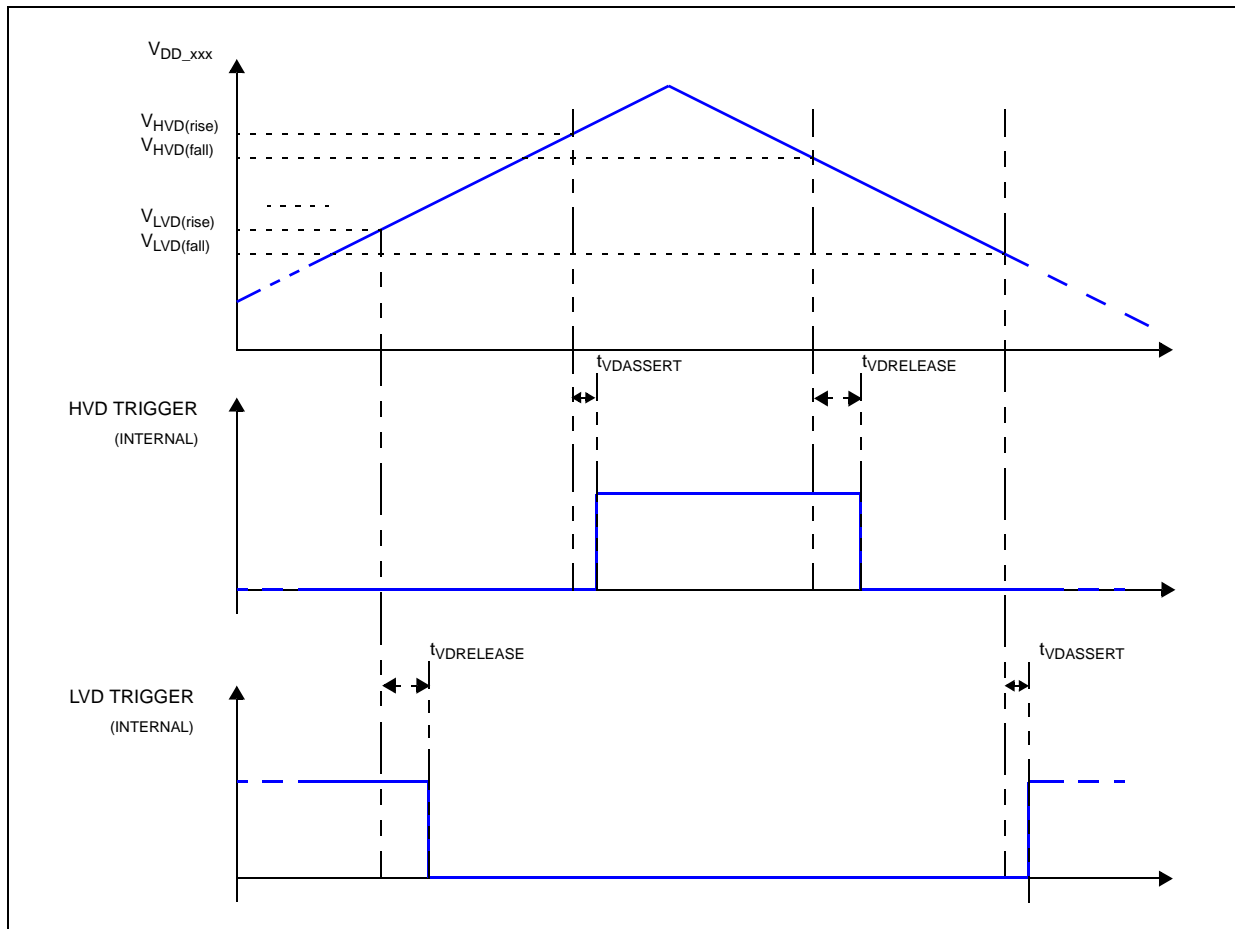


Figure 21. Voltage monitor threshold definition

Table 37. Voltage monitor electrical characteristics<sup>1</sup>

Symbol	Parameter	Conditions	Value			Unit
			Min	Typ	Max	
V <sub>PORUP_LV</sub> <sup>2</sup>	CC LV supply power on reset threshold	Rising voltage (power up)	1111	—	1235	mV
		Falling voltage (power down) <sup>3</sup>	1015	—	1125	
		Hysteresis on power-up	50	—	—	
V <sub>LVD096</sub>	CC LV internal <sup>4</sup> supply low voltage monitoring	See note <sup>5</sup>	1015	—	1145	mV
V <sub>LVD108</sub>	CC Core LV internal <sup>4</sup> supply low voltage monitoring	See note <sup>6</sup>	1150	—	1220	mV
V <sub>LVD112</sub>	CC LV external <sup>7</sup> supply low voltage monitoring	See note <sup>5</sup>	1175	—	1235	mV

Table 37. Voltage monitor electrical characteristics<sup>1</sup> (continued)

Symbol	Parameter	Conditions	Value			Unit
			Min	Typ	Max	
V <sub>HVD140</sub>	CC LV external <sup>10</sup> supply high voltage monitoring	See note <sup>8</sup>	1385	—	1475	mV
V <sub>HVD145</sub>	CC LV externa <sup>10</sup> supply high voltage reset threshold	—	1430	—	1510	mV
V <sub>PORUP_HV</sub> <sup>2</sup>	CC HV supply power on reset threshold <sup>9</sup>	Rising voltage (power up) on PMC/IO Main supply	4040	—	4480 <sup>10</sup>	mV
		Rising voltage (power up) on IO JTAG and Osc supply	2730	—	3030	
		Rising voltage (power up) on ADC supply	2870	—	3182	
		Falling voltage (power down) <sup>11</sup>	2850	—	3162	
		Hysteresis on power up <sup>12</sup>	878	—	1630	
V <sub>POR240</sub>	CC HV supply power-on reset voltage monitoring	Rising voltage	2420	—	2780	mV
		Falling voltage	2400	—	2760	
V <sub>LVD270</sub>	CC HV supply low voltage monitoring	Rising voltage	2750	—	3000	mV
		Falling voltage	2700	—	2950	
V <sub>LVD295</sub>	CC Flash supply low voltage monitoring <sup>13</sup>	Rising voltage	—	—	3120	mV
		Falling voltage	2920	—	3100	
V <sub>HVD360</sub>	CC Flash supply high voltage monitoring	Rising voltage	3435	—	3650	mV
		Falling voltage	3415	—	—	
V <sub>LVD360</sub>	CC HV supply low voltage monitoring	Rising voltage	—	—	4000	mV
		Falling voltage	3600	—	3880	
V <sub>LVD400</sub>	CC HV supply low voltage monitoring	Rising voltage	4110	—	4410	mV
		Falling voltage	3970	—	4270	
V <sub>HVD600</sub>	CC HV supply high voltage monitoring	Rising voltage	5560	—	5960	mV
		Falling voltage	5500	—	5900	
t <sub>VDASSERT</sub>	CC Voltage detector threshold crossing assertion	—	0.1	—	2	μs
t <sub>VDRELEASE</sub>	CC Voltage detector threshold crossing de-assertion	—	5	—	20	μs

<sup>1</sup> For V<sub>DD\_LV</sub> levels, a maximum of 30 mV IR drop is incurred from the pin to all sinks on the die. For other LVD, the IR drop is estimated by multiplying the supply current by 0.5 Ω.

<sup>2</sup> V<sub>PORUP\_LV</sub> and V<sub>PORUP\_HV</sub> threshold are untrimmed values before completion of the power-up sequence. All other LVD/HVD thresholds are provided after trimming.

<sup>3</sup> Assume all of LVDs on LV supplies disabled.

<sup>4</sup> LV internal supply levels are measured on device internal supply grid after internal voltage drop.

<sup>5</sup> LVD is released after t<sub>VDRELEASE</sub> temporization when *upper* threshold is crossed, LVD is asserted t<sub>VDASSERT</sub> after detection when *lower* threshold is crossed.

## Electrical characteristics

- <sup>6</sup> This specification is driven by LVD108\_C. There are additional LVDs on PLL and Flash VDD\_LV supply nets which will assert at voltage below LVD108\_C.
- <sup>7</sup> LV external supply levels are measured on the die side of the package bond wire after package voltage drop. This is monitoring external regulator supply voltage and board voltage drop. This does not guarantee device is working down to minimum threshold. For minimum supply, refer to operating condition table.
- <sup>8</sup> HVD is released after  $t_{VDRELEASE}$  temporization when *lower* threshold is crossed, HVD is asserted  $t_{VDASSERT}$  after detection when *upper* threshold is crossed. HVD140 does not cause reset.
- <sup>9</sup> This supply also needs to be below 5472 mV (untrimmed HVD600 min)
- <sup>10</sup> The PMC supply also needs to be below 5472 mV (untrimmed HVD600 mV).
- <sup>11</sup> Untrimmed LVD300\_A will be asserted first on power down.
- <sup>12</sup> Hysteresis is implemented only between the VDD\_HV\_IO\_MAIN High voltage Supplies and the ADC high voltage supply. When these two supplies are shorted together, the hysteresis is as is shown in [Table 37](#). If the supplies are not shorted (VDD\_IO\_MAIN and ADC high voltage supply), then there will be no hysteresis on the high voltage supplies.
- <sup>13</sup> V<sub>DD\_HV\_FL A</sub> supply range is guaranteed by internal regulator.

### 3.14.5 Power up/down sequencing

[Table 38](#) shows the constraints and relationships for the different power supplies

**Table 38. Device supply relation during power-up/power-down sequence**

		Supply 2 <sup>1</sup>							
		V <sub>DD_LV</sub>	V <sub>DD_HV_PMC</sub>	V <sub>DD_HV_IO</sub>	V <sub>DD_HV_FL A</sub>	V <sub>DD_HV_ADV</sub>	V <sub>DD_HV_ADR</sub>	ALTREFn <sup>2</sup>	V <sub>DDSTBY</sub>
Supply 1 <sup>1</sup>	V <sub>DD_LV</sub>	Black							
	V <sub>DD_HV_PMC</sub>		Black						
	V <sub>DD_HV_IO</sub>			Black					
	V <sub>DD_HV_FL A</sub>		2 mA <sup>3</sup>		Black				
	V <sub>DD_HV_ADV</sub>					Black			
	V <sub>DD_HV_ADR</sub>					5 mA	Black		
	ALTREFn			10 mA <sup>4</sup>		10 mA <sup>4</sup>		Black	
	V <sub>DDSTBY</sub>								Black

<sup>1</sup> Red cells: supply1 (row) can exceed supply2 (column), granted that external circuitry ensure current flowing from supply1 is less than absolute maximum rating current value provided.

<sup>2</sup> ALTREFn are the alternate references for the ADC that can be used in place of the default reference (V<sub>DD\_HV\_ADR\_\*</sub>). They are SARB.ALTREF and SAR2.ALTREF.

<sup>3</sup> V<sub>DD\_HV\_FL A</sub> is generated internally in normal mode. Above current constraints is guaranteed.

<sup>4</sup> ADC performances is not guaranteed with ALTREFn above V<sub>DD\_HV\_IO</sub> / V<sub>DD\_HV\_ADV</sub>

During power-up, all functional terminals are maintained into a known state as described within the following table.

Table 39. Functional terminals state during power-up and reset

TERMINAL TYPE <sup>1</sup>	POWERUP <sup>2</sup> pad state	RESET pad state	DEFAULT pad state <sup>3</sup>	Comments
PORST	Strong pull-down <sup>4</sup>	Weak pull-down	Weak pull-down	Power-on reset pad
ESR0 <sup>5</sup>	Strong pull-down	Strong pull-down	Weak pull-up	Functional reset pad.
ESR1	High impedance	Weak pull-up	Weak pull-up	—
TESTMODE	Weak pull-down	Weak pull-down <sup>6</sup>	Weak pull-down <sup>6</sup>	—
GPIO	Weak pull-up <sup>4</sup>	Weak pull-up	Weak pull-up	—
ANALOG	High impedance	High impedance	High impedance	—
ERROR0	High impedance	High impedance	High impedance	During functional reset, pad state can be overridden by FCCU
JCOMP	High impedance	Weak pull-down	Weak pull-down	—
TCK	High impedance	Weak pull-down	Weak pull-down	—
TMS	High impedance	Weak pull-up	Weak pull-up	—
TDI	High impedance	Weak pull-up	Weak pull-up	—
TDO	High impedance	Weak pull-up	High impedance	—

<sup>1</sup> Refer to pinout information for terminal type

<sup>2</sup> POWERUP state is guaranteed from  $V_{DD\_HV\_IO} > 1.1$  V and maintained until supply cross the power-on reset threshold:  $V_{PORUP\_LV}$  for LV supply,  $V_{PORUP\_HV}$  for high voltage supply.

<sup>3</sup> Before software configuration

<sup>4</sup> Pull-down and pull-up strength are provided as part of Table 13 in Section 3.6.1, I/O input DC characteristics. Pull-up/Pull-down are activated within 2  $\mu$ s after internal reset has been asserted. Actual pad transition will depend on external capacitance.

<sup>5</sup> Unlike ESR0, ESR1 is provided as normal GPIO and implements weak pull-up during power-up.

<sup>6</sup> An internal pull-down is implemented on the TESTMODE pin to prevent the device from entering test mode if the package TESTMODE pin is not connected. It is recommended to connect the TESTMODE pin to  $V_{SS\_HV\_IO}$  on the board for maximum robustness, but not required. The value of TESTMODE is latched at the negation of reset and has no affect afterward. The device will not exit functional reset with the TESTMODE pin asserted during power-up. The TESTMODE pin can be connected externally directly to ground without any other components.

## 3.15 Flash memory electrical characteristics

The following sections contain flash memory electrical specifications.

### 3.15.1 Flash memory program and erase specifications

#### NOTE

All timing, voltage, and current numbers specified in this section are defined for a single embedded flash memory within an SoC, and represent average currents for given supplies and operations.

## Electrical characteristics

Table 40 shows the estimated Program/Erase times.

**Table 40. Flash memory program and erase specifications (pending characterization)**

Symbol	Characteristic <sup>1</sup>	Typ <sup>2</sup>	Factory Programming <sup>3,4</sup>		Field Update			Units
			Initial Max	Initial Max Full Temp	Typical End of Life <sup>5</sup>	Lifetime Max <sup>6</sup>		
			20°C ≤ T <sub>a</sub> ≤ 30°C	-40°C ≤ T <sub>J</sub> ≤ 150°C	-40°C ≤ T <sub>J</sub> ≤ 150 °C	≤ 1,000 cycles	≤ 250,000 cycles	
t <sub>dwpgm</sub>	Doubleword (64 bits) program time	43	100	150	55	500		μs
t <sub>ppgm</sub>	Page (256 bits) program time	73	200	300	108	500		μs
t <sub>qppgm</sub>	Quad-page (1024 bits) program time	268	800	1,200	396	2,000		μs
t <sub>16kers</sub>	16 KB Block erase time	168	290	320	250	1,000		ms
t <sub>16kpgn</sub>	16 KB Block program time	34	45	50	40	1,000		ms
t <sub>32kers</sub>	32 KB Block erase time	217	360	390	310	1,200		ms
t <sub>32kpgm</sub>	32 KB Block program time	69	100	110	90	1,200		ms
t <sub>64kers</sub>	64 KB Block erase time	315	490	590	420	1,600		ms
t <sub>64kpgm</sub>	64 KB Block program time	138	180	210	170	1,600		ms
t <sub>256kers</sub>	256 KB Block erase time	884	1,520	2,030	1,080	4,000	—	ms
t <sub>256kpgm</sub>	256 KB Block program time	552	720	880	650	4,000	—	ms

<sup>1</sup> Program times are actual hardware programming times and do not include software overhead. Block program times assume quad-page programming.

<sup>2</sup> Typical program and erase times represent the median performance and assume nominal supply values and operation at 25 °C. Typical program and erase times may be used for throughput calculations.

<sup>3</sup> Conditions: ≤ 150 cycles, nominal voltage.

<sup>4</sup> Plant Programming times provide guidance for timeout limits used in the factory.

<sup>5</sup> Typical End of Life program and erase times represent the median performance and assume nominal supply values. Typical End of Life program and erase values may be used for throughput calculations.

<sup>6</sup> Conditions: -40°C ≤ T<sub>J</sub> ≤ 150°C; full spec voltage.



### 3.15.2 Flash memory FERS program and erase specifications

Table 41. Flash memory FERS program and erase specifications (pending characterization)

Symbol	Characteristic <sup>1</sup>	Factory Programming with FERS=1 and Vfers pin is 5V ± 5% <sup>2</sup>			Units
		Typ <sup>3</sup>	Initial Max	Initial Max Full Temp	
			20°C ≤ T <sub>A</sub> ≤ 30°C <sup>4</sup>	-40°C ≤ T <sub>J</sub> ≤ 150°C <sup>4</sup>	
t <sub>dwp<sub>pgm</sub></sub>	Doubleword (64 bits) program time	30	90	135	µs
t <sub>pp<sub>pgm</sub></sub>	Page (256 bits) program time	43	145	218	µs
t <sub>qpp<sub>pgm</sub></sub>	Quad-page (1024 bits) program time	134	530	795	µs
t <sub>16k<sub>ers</sub></sub>	16 KB erase time	160	782	782	ms
t <sub>16k<sub>pgn</sub></sub>	16 KB program time	18	24	35	ms
t <sub>32k<sub>ers</sub></sub>	32 KB erase time	190	782	782	ms
t <sub>32k<sub>pgm</sub></sub>	32 KB program time	36	47	68	ms
t <sub>64k<sub>ers</sub></sub>	64 KB erase time	250	782	782	ms
t <sub>64k<sub>pgm</sub></sub>	64 KB program time	72	94	135	ms
t <sub>256k<sub>ers</sub></sub>	256 KB erase time	600	1,380	2,070	ms
t <sub>256k<sub>pgm</sub></sub>	256 KB program time	288	374	568	ms

<sup>1</sup> Program times are actual hardware programming times and do not include software overhead. Block program times assume quad-page programming.

<sup>2</sup> Conditions: ≤150 cycles, nominal voltage.

<sup>3</sup> Typical program and erase times represent the median performance and assume nominal supply values and operation at 25 °C. Typical program and erase times may be used for throughput calculations.

<sup>4</sup> Plant Programming times provide guidance for timeout limits used in the factory.

### 3.15.3 Flash memory Array Integrity and Margin Read specifications

**Table 42. Flash memory Array Integrity and Margin Read specifications (characterized but not tested)**

Symbol	Characteristic	Min	Typical	Max <sup>1</sup>	Units <sup>2</sup>
$t_{ai16kseq}$	Array Integrity time for sequential sequence on 16KB block.	—	—	$512 \times T_{period} \times N_{read}$	—
$t_{ai32kseq}$	Array Integrity time for sequential sequence on 32KB block.	—	—	$1024 \times T_{period} \times N_{read}$	—
$t_{ai64kseq}$	Array Integrity time for sequential sequence on 64KB block.	—	—	$2048 \times T_{period} \times N_{read}$	—
$t_{ai256kseq}$	Array Integrity time for sequential sequence on 256KB block.	—	—	$8192 \times T_{period} \times N_{read}$	—
$t_{aifullseq}$	Array Integrity time for sequential sequence full array.	—	—	$3.77e5 \times T_{period} \times N_{read}$	—
$t_{aifullprop}$	Array Integrity time for proprietary sequence (applies to full array or single block).	—	—	$9.96e6 \times T_{period} \times N_{read}$	—
$t_{mr16kseq}$	Margin Read time for sequential sequence on 16KB block.	73.81	—	110.7	$\mu s$
$t_{mr32kseq}$	Margin Read time for sequential sequence on 32KB block.	128.43	—	192.6	$\mu s$
$t_{mr64kseq}$	Margin Read time for sequential sequence on 64KB block.	237.65	—	356.5	$\mu s$
$t_{mr256kseq}$	Margin Read time for sequential sequence on 256KB block.	893.01	—	1,339.5	$\mu s$
$t_{mrfull}$	Margin Read time for sequential sequence full array.	45.21	—	60.26	ms

<sup>1</sup> Array Integrity times need to be calculated and are dependent on system frequency and number of clocks per read. The equation presented require  $T_{period}$  (which is the unit accurate period, thus for 200 MHz,  $T_{period}$  would equal  $5e-9$ ) and  $N_{read}$  (which is the number of clocks required for read, including pipeline contribution. Thus for a read setup that requires 6 clocks to read with no pipeline,  $N_{read}$  would equal 6. For a read setup that requires 6 clocks to read, and has the address pipeline set to 2,  $N_{read}$  would equal 4 (or  $6 - 2$ .)

<sup>2</sup> The units for Array Integrity are determined by the period of the system clock. If unit accurate period is used in the equation, the results of the equation are also unit accurate.

### 3.15.4 Flash memory module life specifications

Table 43. Flash memory module life spec (pending characterization)

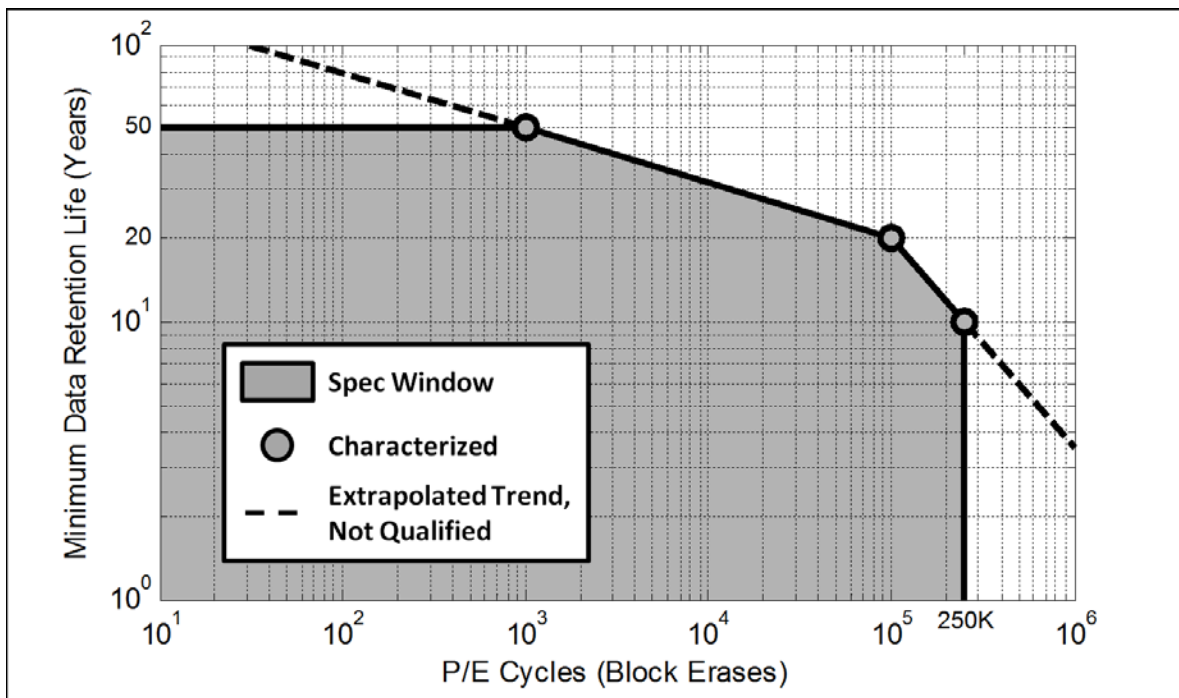
Symbol	Characteristic	Conditions	Min	Typical	Units
Array P/E cycles	Number of program/erase cycles per block for 16 KB, 32 KB and 64 KB blocks. <sup>1</sup>	—	250,000	—	P/E cycles
	Number of program/erase cycles per block for 256 KB blocks. <sup>2</sup>	—	1,000	250,000	P/E cycles
Data retention	Minimum data retention.	Blocks with 0 – 1,000 P/E cycles.	50	—	Years
		Blocks with 100,000 P/E cycles.	20	—	Years
		Blocks with 250,000 P/E cycles.	10	—	Years

<sup>1</sup> Program and erase supported across standard temperature specs.

<sup>2</sup> Program and erase supported across standard temperature specs.

### 3.15.5 Data retention vs program/erase cycles

Graphically, Data Retention versus Program/Erase Cycles can be represented by the following figure. The spec window represents qualified limits. The extrapolated dotted line demonstrates technology capability, however is beyond the qualification limits.



### 3.15.6 Flash memory AC timing specifications

Table 44. Flash memory AC timing specifications (characterized but not tested)

Symbol	Characteristic	Min	Typical	Max	Units
$t_{psus}$	Time from setting the MCR-PSUS bit until MCR-DONE bit is set to a 1.	—	7 plus four system clock periods	9.1 plus four system clock periods	$\mu s$
$t_{esus}$	Time from setting the MCR-ESUS bit until MCR-DONE bit is set to a 1.	—	16 plus four system clock periods	20.8 plus four system clock periods	$\mu s$
$t_{res}$	Time from clearing the MCR-ESUS or PSUS bit with EHV = 1 until DONE goes low.	—	—	100	ns
$t_{done}$	Time from 0 to 1 transition on the MCR-EHV bit initiating a program/erase until the MCR-DONE bit is cleared.	—	—	5	ns
$t_{dones}$	Time from 1 to 0 transition on the MCR-EHV bit aborting a program/erase until the MCR-DONE bit is set to a 1.	—	16 plus four system clock periods	20.8 plus four system clock periods	$\mu s$
$t_{drcv}$	Time to recover once exiting low power mode.	16 plus seven system clock periods	—	45 plus seven system clock periods	$\mu s$
$t_{aistart}$	Time from 0 to 1 transition of UT0-AIE initiating a Margin Read or Array Integrity until the UT0-AID bit is cleared. This time also applies to the resuming from a suspend or breakpoint by clearing AISUS or clearing NAIBP	—	—	5	ns
$t_{aistop}$	Time from 1 to 0 transition of UT0-AIE initiating an Array Integrity abort until the UT0-AID bit is set. This time also applies to the UT0-AISUS to UT0-AID setting in the event of a Array Integrity suspend request.	—	—	80 plus fifteen system clock periods	ns
$t_{mrstop}$	Time from 1 to 0 transition of UT0-AIE initiating a Margin Read abort until the UT0-AID bit is set. This time also applies to the UT0-AISUS to UT0-AID setting in the event of a Margin Read suspend request.	10.36 plus four system clock periods	—	20.42 plus four system clock periods	$\mu s$

### 3.15.7 Flash read wait state and address pipeline control settings

Table 45 describes the recommended RWSC and APC settings at various operating frequencies based on specified intrinsic flash access times of the C55FMC array at 150 °C.

**Table 45. Flash Read Wait State and Address Pipeline Control Combinations**

Flash Frequency	RWSC setting	APC setting
0 MHz < fFLASH ≤ 33 MHz	0	0
33 MHz < fFLASH ≤ 100 MHz	2	1
100 MHz < fFLASH ≤ 133 MHz	3	1
133 MHz < fFLASH ≤ 167 MHz	4	1
167 MHz < fFLASH ≤ 200 MHz	5	2

## 3.16 AC specifications

All AC timing specifications are valid up to 150 °C, except where explicitly noted.

### 3.16.1 Debug and calibration interface timing

#### 3.16.1.1 JTAG interface timing

**Table 46. JTAG pin AC electrical characteristics<sup>1,2</sup>**

#	Symbol	Characteristic	Value		Unit
			Min	Max	
1	t <sub>JCYC</sub>	CC TCK cycle time	100	—	ns
2	t <sub>JDC</sub>	CC TCK clock pulse width	40	60	%
3	t <sub>TCKRISE</sub>	CC TCK rise and fall times (40%–70%)	—	3	ns
4	t <sub>TMSS</sub> , t <sub>TDIS</sub>	CC TMS, TDI data setup time	5	—	ns
5	t <sub>TMSH</sub> , t <sub>TDIH</sub>	CC TMS, TDI data hold time	5	—	ns
6	t <sub>TDOV</sub>	CC TCK low to TDO data valid	—	16 <sup>3</sup>	ns
7	t <sub>TDOI</sub>	CC TCK low to TDO data invalid	0	—	ns
8	t <sub>TDOHZ</sub>	CC TCK low to TDO high impedance	—	15	ns
9	t <sub>JCOMPW</sub>	CC JCOMP assertion time	100	—	ns
10	t <sub>JCMPS</sub>	CC JCOMP setup time to TCK low	40	—	ns
11	t <sub>BSDV</sub>	CC TCK falling edge to output valid	—	600 <sup>4</sup>	ns
12	t <sub>BSDVZ</sub>	CC TCK falling edge to output valid out of high impedance	—	600	ns
13	t <sub>BSDHZ</sub>	CC TCK falling edge to output high impedance	—	600	ns
14	t <sub>BSDST</sub>	CC Boundary scan input valid to TCK rising edge	15	—	ns
15	t <sub>BSDHT</sub>	CC TCK rising edge to boundary scan input invalid	15	—	ns

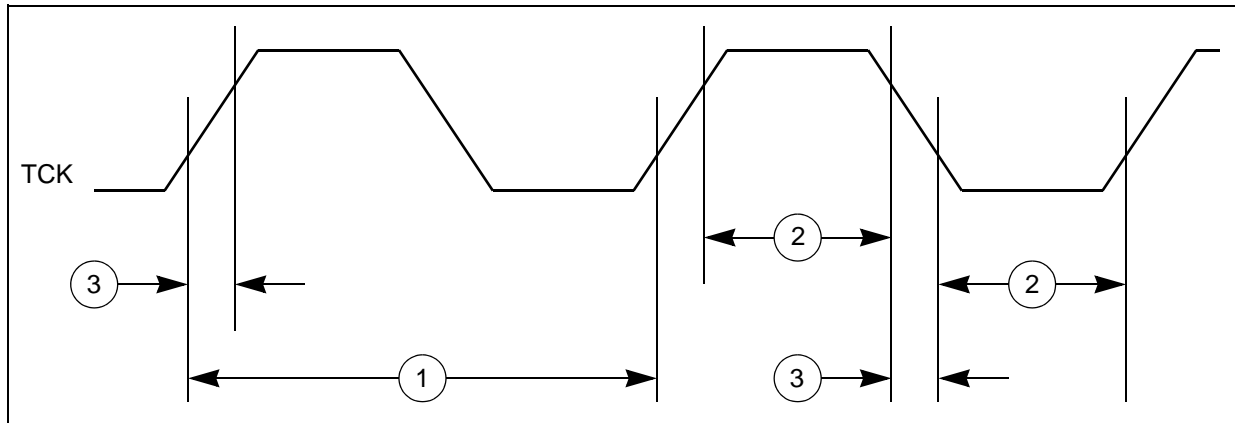
<sup>1</sup> These specifications apply to JTAG boundary scan only. See [Table 47](#) for functional specifications.

<sup>2</sup> JTAG timing specified at V<sub>DD\_HV\_IO\_JTAG</sub> = 4.0 V to 5.5 V, and maximum loading per pad type as specified in the I/O section of the data sheet.

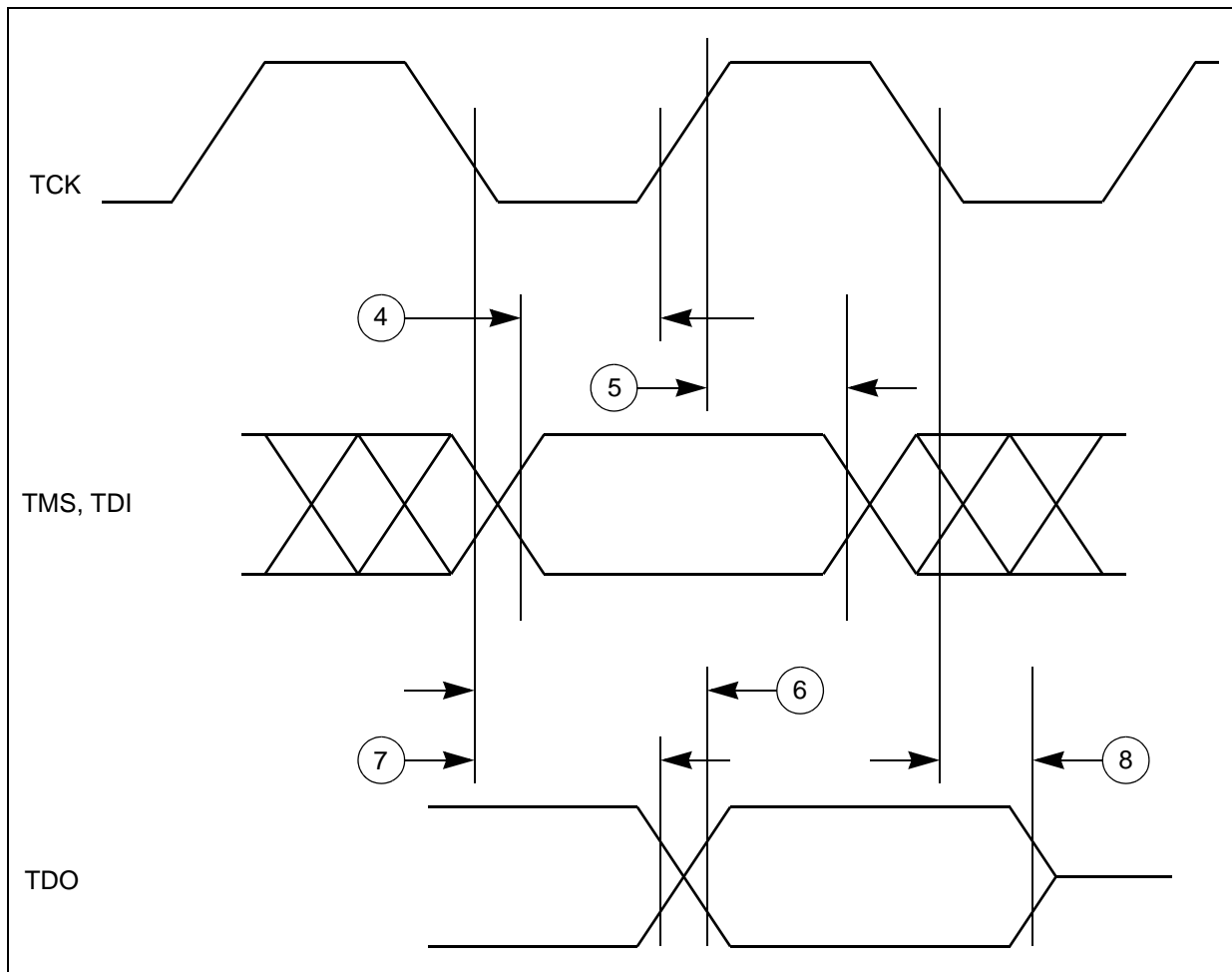
<sup>3</sup> Timing includes TCK pad delay, clock tree delay, logic delay and TDO output pad delay.

**Electrical characteristics**

<sup>4</sup> Applies to all pins, limited by pad slew rate. Refer to IO delay and transition specification and add 20 ns for JTAG delay.



**Figure 22. JTAG test clock input timing**



**Figure 23. JTAG test access port timing**

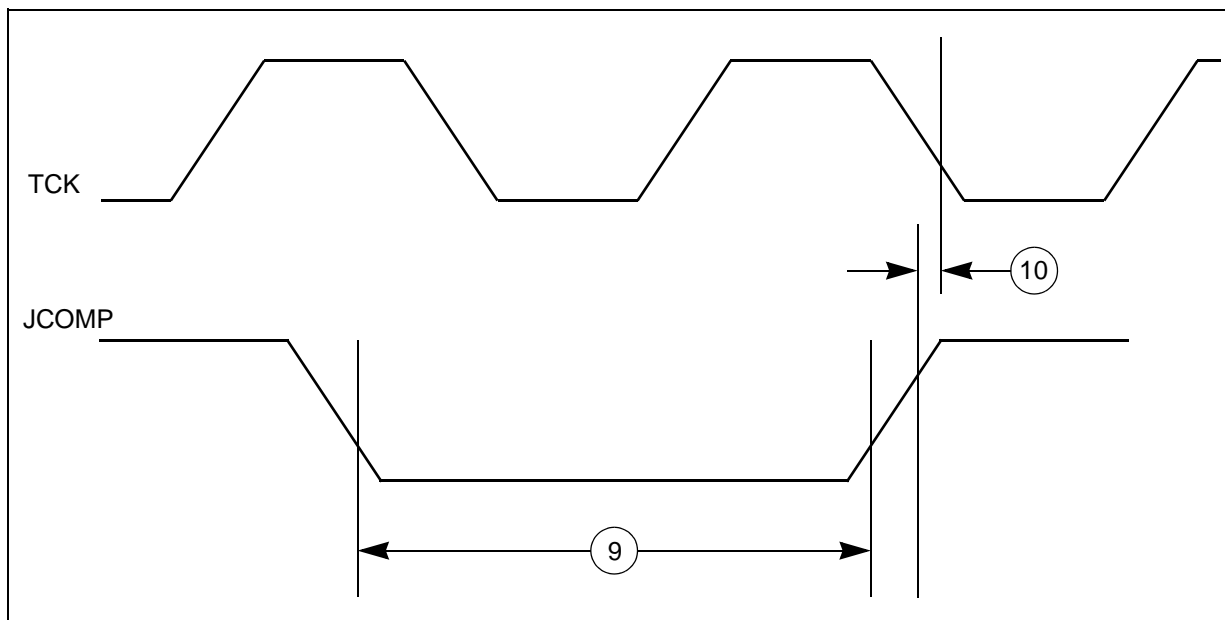


Figure 24. JTAG JCOMP timing

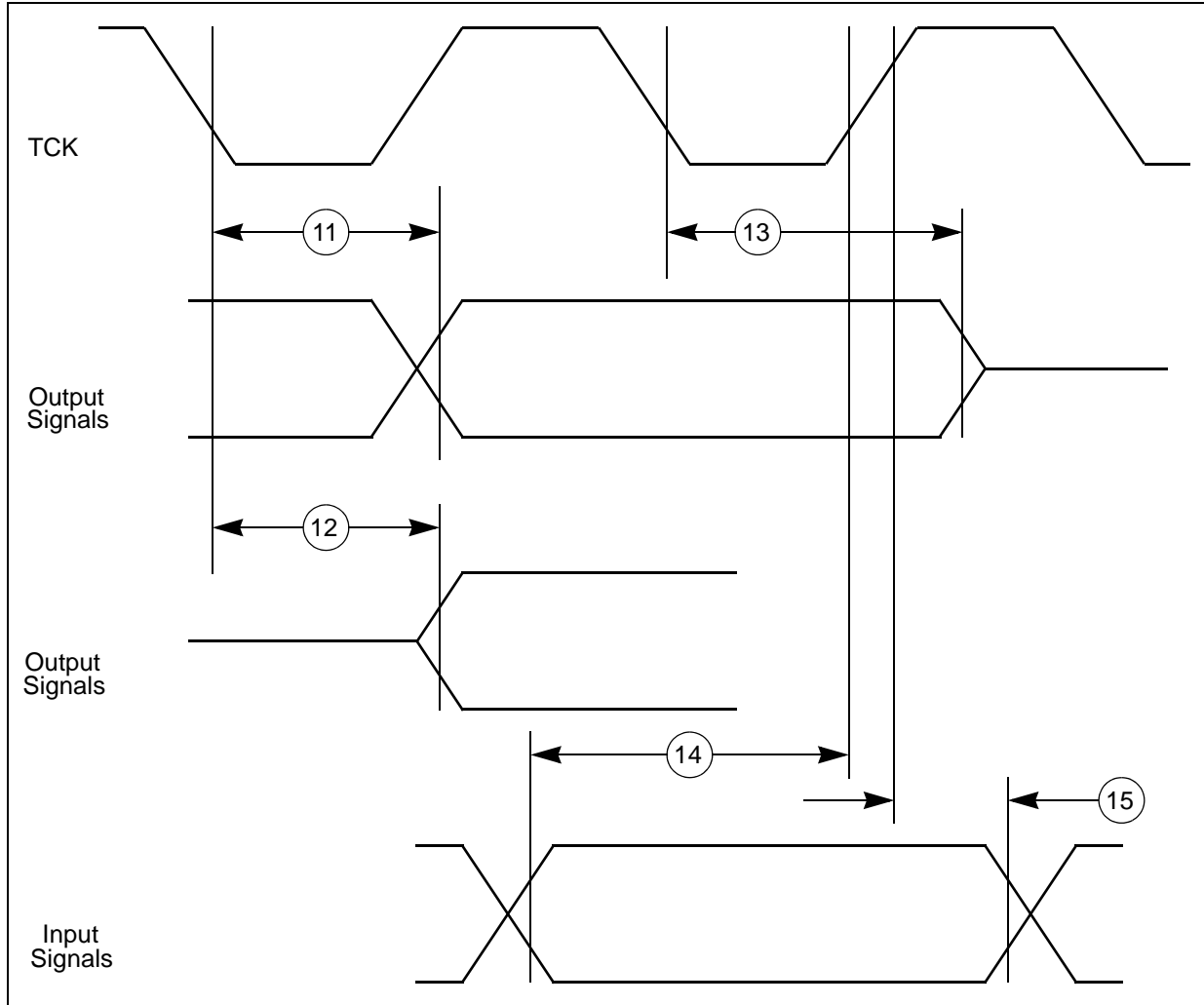


Figure 25. JTAG boundary scan timing

### 3.16.1.2 Nexus interface timing

Table 47. Nexus debug port timing<sup>1</sup>

#	Symbol	Characteristic	Value		Unit
			Min	Max	
7	$t_{EVTIPW}$	CC $\overline{EVTI}$ pulse width	4	—	$t_{CYC}^2$
8	$t_{EVTOPW}$	CC $\overline{EVTO}$ pulse width	40	—	ns
9	$t_{TCYC}$	CC TCK cycle time	2 <sup>3,4</sup>	—	$t_{CYC}^2$
9	$t_{TCYC}$	CC Absolute minimum TCK cycle time <sup>5</sup> (TDO/TDOC sampled on posedge of TCK)	40 <sup>6</sup>	—	ns
		CC Absolute minimum TCK cycle time <sup>7</sup> (TDO/TDOC sampled on negedge of TCK)	20 <sup>6</sup>	—	
11 <sup>8</sup>	$t_{NTDIS}$	CC TDI/TDIC data setup time	5	—	ns



Table 47. Nexus debug port timing<sup>1</sup> (continued)

#	Symbol	Characteristic	Value		Unit
			Min	Max	
12	$t_{\text{NTDIH}}$	CC TDI/TDIC data hold time	5	—	ns
13 <sup>9</sup>	$t_{\text{NTMSS}}$	CC TMS/TMSC data setup time	5	—	ns
14	$t_{\text{NTMSH}}$	CC TMS/TMSC data hold time	5	—	ns
15 <sup>10</sup>	—	CC TDO/TDOC propagation delay from falling edge of TCK <sup>11</sup>	—	16	ns
16	—	CC TDO/TDOC hold time with respect to TCK falling edge (minimum TDO/TDOC propagation delay)	2.25	—	ns

<sup>1</sup> Nexus timing specified at  $V_{\text{DD\_HV\_IO\_JTAG}} = 4.0 \text{ V to } 5.5 \text{ V}$ , and maximum loading per pad type as specified in the I/O section of the data sheet.

<sup>2</sup>  $t_{\text{CYC}}$  is system clock period.

<sup>3</sup> Achieving the absolute minimum TCK cycle time may require a maximum clock speed (system frequency / 8) that is less than the maximum functional capability of the design (system frequency / 4) depending on the actual peripheral frequency being used. To ensure proper operation TCK frequency should be set to the peripheral frequency divided by a number greater than or equal to that specified here.

<sup>4</sup> This is a functionally allowable feature. However, it may be limited by the maximum frequency specified by the Absolute minimum TCK period specification.

<sup>5</sup> This value is TDO/TDOC propagation time 36ns + 4 ns setup time to sampling edge.

<sup>6</sup> This may require a maximum clock speed (system frequency / 8) that is less than the maximum functional capability of the design (system frequency / 4) depending on the actual system frequency being used.

<sup>7</sup> This value is TDO/TDOC propagation time 16ns + 4 ns setup time to sampling edge.

<sup>8</sup> TDIC represents the TDI bit frame of the scan packet in compact JTAG 2-wire mode.

<sup>9</sup> TMSC represents the TMS bit frame of the scan packet in compact JTAG 2-wire mode.

<sup>10</sup> TDOC represents the TDO bit frame of the scan packet in compact JTAG 2-wire mode.

<sup>11</sup> Timing includes TCK pad delay, clock tree delay, logic delay and TDO/TDOC output pad delay.

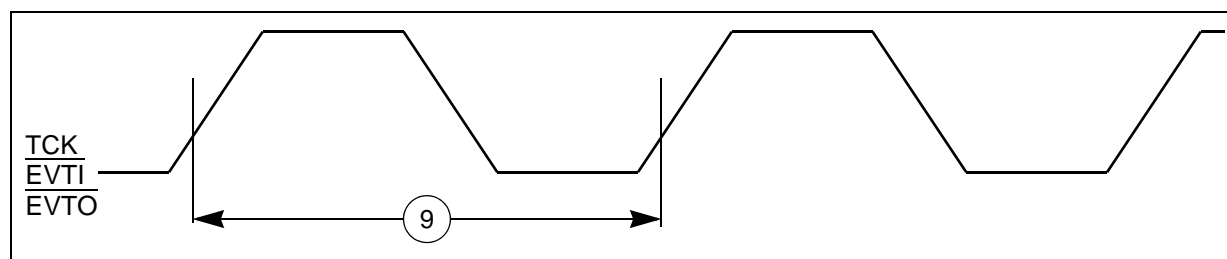


Figure 26. Nexus event trigger and test clock timings

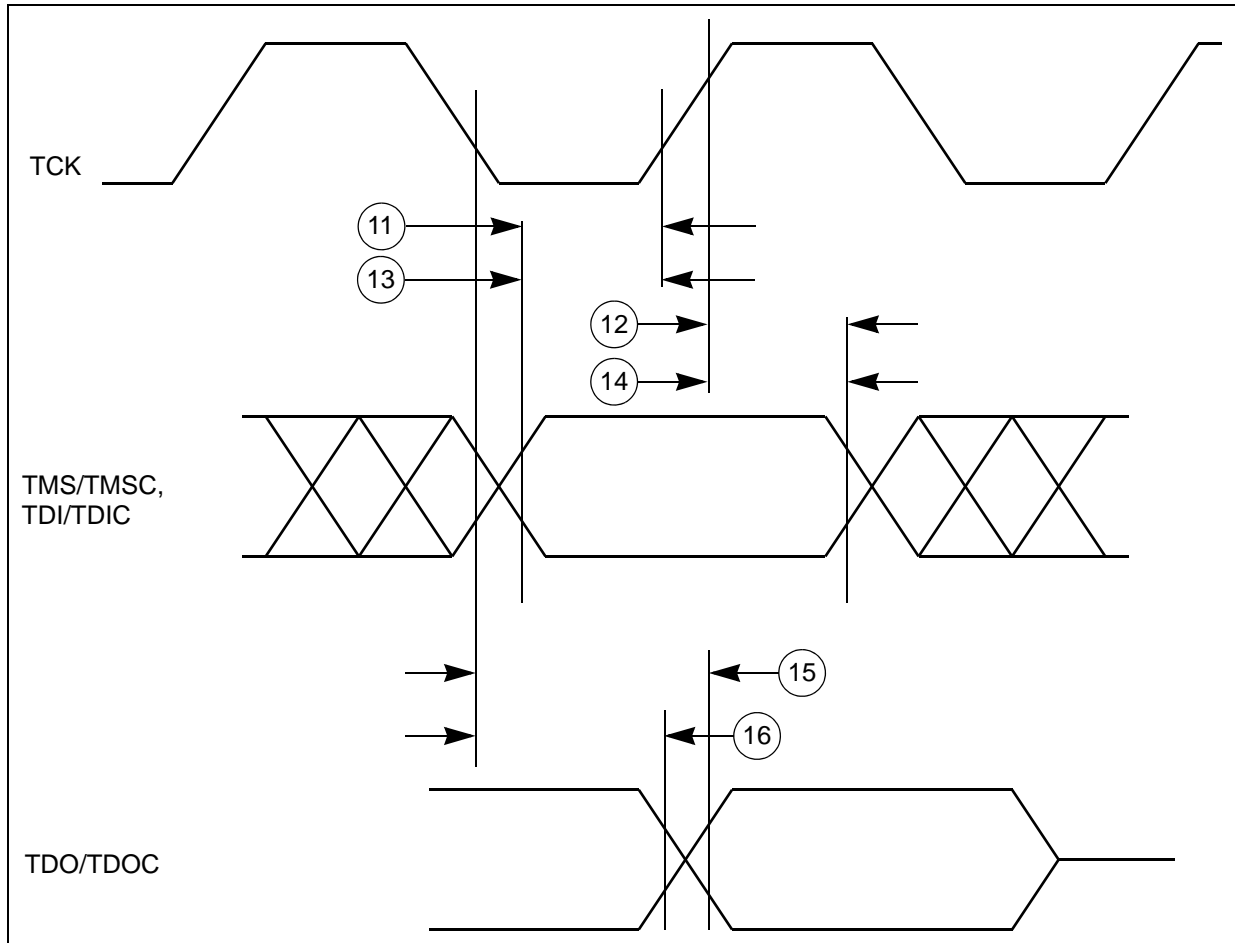


Figure 27. Nexus TDI/TDIC, TMS/TMSC, TDO/TDOC timing

### 3.16.1.3 Aurora LVDS interface timing

Table 48. Aurora LVDS interface timing specifications

Symbol	Parameter		Value			Unit
			Min	Typ	Max	
Data Rate						
—	SR	Data rate	—	—	1250	Mbps
STARTUP						
$t_{\text{STRT\_BIAS}}$	CC	Bias startup time <sup>1</sup>	—	—	5	$\mu\text{s}$
$t_{\text{STRT\_TX}}$	CC	Transmitter startup time <sup>2</sup>	—	—	5	$\mu\text{s}$
$t_{\text{STRT\_RX}}$	CC	Receiver startup time <sup>3</sup>	—	—	4	$\mu\text{s}$

<sup>1</sup> Startup time is defined as the time taken by LVDS current reference block for settling bias current after its pwr\_down (power down) has been deasserted. LVDS functionality is guaranteed only after the startup time.

<sup>2</sup> Startup time is defined as the time taken by LVDS transmitter for settling after its pwr\_down (power down) has been deasserted. Here it is assumed that current reference is already stable (see Bias start-up time). LVDS functionality is guaranteed only after the startup time.

- <sup>3</sup> Startup time is defined as the time taken by LVDS receiver for settling after its pwr\_down (power down) has been deasserted. Here it is assumed that current reference is already stable (see Bias start-up time). LVDS functionality is guaranteed only after the startup time.

### 3.16.1.4 Aurora debug port timing

Table 49. Aurora debug port timing

#	Symbol		Characteristic	Value		Unit	
				Min	Max		
1	$t_{REFCLK}$	CC	Reference clock frequency	625	1250	MHz	
1a	$t_{MCYC}$	CC	Reference clock rise/fall time	—	400	ps	
2	$t_{RCDC}$	CC	Reference clock duty cycle	45	55	%	
3	$J_{RC}$	CC	Reference clock jitter	—	40	ps	
4	$t_{STABILITY}$	CC	Reference clock stability	50	—	PPM	
5	BER	CC	Bit error rate	—	$10^{-12}$	—	
6	$J_D$	SR	Transmit lane deterministic jitter	—	0.17	OUI	
7	$J_T$	SR	Transmit lane total jitter	—	0.35	OUI	
8	$S_O$	CC	Differential output skew	—	20	ps	
9	$S_{MO}$	CC	Lane to lane output skew	—	1000	ps	
10	OUI	CC	Aurora lane unit interval <sup>1</sup>	625 Mbps	1600	1600	ps
				1.25 Gbps	800	800	

<sup>1</sup> ± 100 PPM

Electrical characteristics

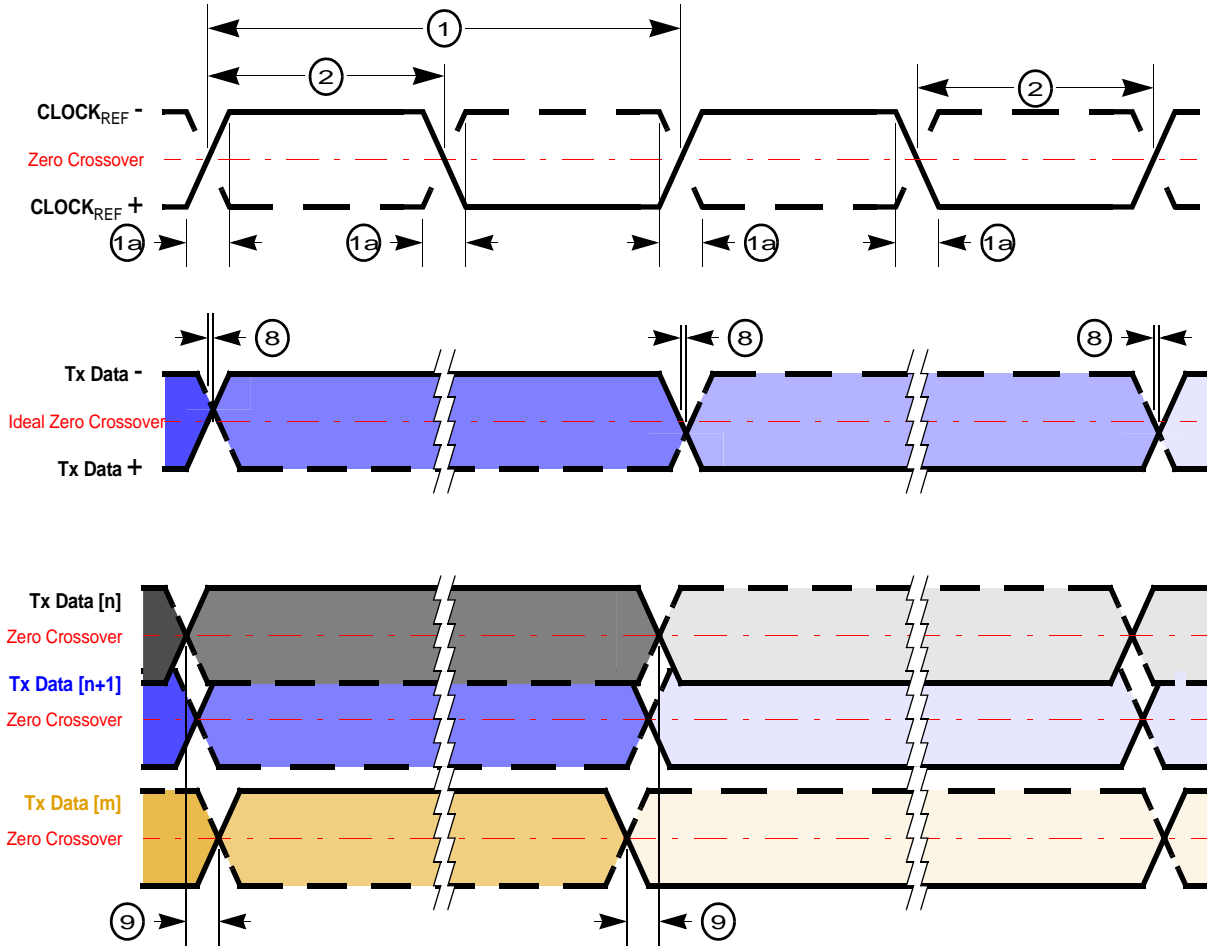


Figure 28. Aurora timings

### 3.16.2 DSPI timing with CMOS and LVDS<sup>1</sup> pads

DSPI channel frequency support is shown in [Table 50](#). Timing specifications are shown in [Table 51](#), [Table 52](#), [Table 54](#), [Table 55](#) and [Table 56](#).

**Table 50. DSPI channel frequency support**

DSPI use mode		Max usable frequency (MHz) <sup>1,2</sup>
CMOS (Master mode)	Full duplex – Classic timing ( <a href="#">Table 51</a> )	17
	Full duplex – Modified timing ( <a href="#">Table 52</a> )	30
	Output only mode (SCK/SOUT/PCS) ( <a href="#">Table 51</a> and <a href="#">Table 52</a> )	30
	Output only mode TSB mode (SCK/SOUT/PCS) ( <a href="#">Table 56</a> )	30
LVDS (Master mode) <sup>3</sup>	Full duplex – Modified timing ( <a href="#">Table 54</a> )	33
	Output only mode TSB mode (SCK/SOUT/PCS) ( <a href="#">Table 55</a> )	40

<sup>1</sup> Maximum usable frequency can be achieved if used with fastest configuration of the highest drive pads.

<sup>2</sup> Maximum usable frequency does not take into account external device propagation delay.

<sup>3</sup>  $\mu$ S Channel and LVDS timing is not supported for DSPI12.

#### 3.16.2.1 DSPI master mode full duplex timing with CMOS and LVDS pads

##### 3.16.2.1.1 DSPI CMOS Master Mode – Classic Timing

**Table 51. DSPI CMOS master classic timing (full duplex and output only) – MTFE = 0, CPHA = 0 or 1<sup>1</sup>**

#	Symbol		Characteristic	Condition		Value <sup>2</sup>		Unit
				Pad drive <sup>3</sup>	Load (C <sub>L</sub> )	Min	Max	
1	t <sub>SCK</sub>	CC	SCK cycle time	SCK drive strength				ns
				Very strong	25 pF	33.0	—	
				Strong	50 pF	80.0	—	
				Medium	50 pF	200.0	—	
2	t <sub>CSC</sub>	CC	PCS to SCK delay	SCK and PCS drive strength				ns
				Very strong	25 pF	$(N^4 \times t_{SYS}^5) - 16$	—	
				Strong	50 pF	$(N^4 \times t_{SYS}^5) - 16$	—	
				Medium	50 pF	$(N^4 \times t_{SYS}^5) - 16$	—	
				PCS medium and SCK strong	PCS = 50 pF SCK = 50 pF	$(N^4 \times t_{SYS}^5) - 29$	—	

1. DSPI in TSB mode with LVDS pads can be used to implement Micro Second Channel bus protocol.

Table 51. DSPI CMOS master classic timing (full duplex and output only) – MTFE = 0, CPHA = 0 or 1<sup>1</sup>

#	Symbol		Characteristic	Condition		Value <sup>2</sup>		Unit
				Pad drive <sup>3</sup>	Load (C <sub>L</sub> )	Min	Max	
3	t <sub>ASC</sub>	CC	After SCK delay	SCK and PCS drive strength				ns
				Very strong	PCS = 0 pF SCK = 50 pF	$(M^6 \times t_{SYS}^5) - 35$	—	
				Strong	PCS = 0 pF SCK = 50 pF	$(M^6 \times t_{SYS}^5) - 35$	—	
				Medium	PCS = 0 pF SCK = 50 pF	$(M^6 \times t_{SYS}^5) - 35$	—	
4	t <sub>SDC</sub>	CC	SCK duty cycle <sup>7</sup>	SCK drive strength				ns
				Very strong	0 pF	$\frac{1}{2}t_{SCK} - 2$	$\frac{1}{2}t_{SCK} + 2$	
				Strong	0 pF	$\frac{1}{2}t_{SCK} - 2$	$\frac{1}{2}t_{SCK} + 2$	
				Medium	0 pF	$\frac{1}{2}t_{SCK} - 5$	$\frac{1}{2}t_{SCK} + 5$	
PCS strobe timing								
5	t <sub>PCSC</sub>	CC	PCSx to $\overline{\text{PCSS}}$ time <sup>8</sup>	PCS and PCSS drive strength				ns
				Strong	25 pF	16.0	—	
6	t <sub>PASC</sub>	CC	PCSS to PCSx time <sup>8</sup>	PCS and PCSS drive strength				ns
				Strong	25 pF	16.0	—	
SIN setup time								
7	t <sub>SUI</sub>	CC	SIN setup time to SCK <sup>9</sup>	SCK drive strength				ns
				Very strong	25 pF	25.0	—	
				Strong	50 pF	32.75	—	
				Medium	50 pF	52.0	—	
SIN hold time								
8	t <sub>HI</sub>	CC	SIN hold time from SCK <sup>9</sup>	SCK drive strength				ns
				Very strong	0 pF	-1.0	—	
				Strong	0 pF	-1.0	—	
				Medium	0 pF	-1.0	—	
SOUT data valid time (after SCK edge)								
9	t <sub>SUO</sub>	CC	SOUT data valid time from SCK <sup>10</sup>	SOUT and SCK drive strength				ns
				Very strong	25 pF	—	7.0	
				Strong	50 pF	—	8.0	
				Medium	50 pF	—	16.0	
SOUT data hold time (after SCK edge)								

Table 51. DSPI CMOS master classic timing (full duplex and output only) – MTFE = 0, CPHA = 0 or 1<sup>1</sup>

#	Symbol		Characteristic	Condition		Value <sup>2</sup>		Unit
				Pad drive <sup>3</sup>	Load (C <sub>L</sub> )	Min	Max	
10	t <sub>HO</sub>	CC	SOUT data hold time after SCK <sup>10</sup>	SOUT and SCK drive strength				ns
				Very strong	25 pF	-7.7	—	
				Strong	50 pF	-11.0	—	
				Medium	50 pF	-15.0	—	

<sup>1</sup> All output timing is worst case and includes the mismatching of rise and fall times of the output pads.

<sup>2</sup> All timing values for output signals in this table are measured to 50% of the output voltage.

<sup>3</sup> Timing is guaranteed to same drive capabilities for all signals, mixing of pad drives may reduce operating speeds and may cause incorrect operation.

<sup>4</sup> N is the number of clock cycles added to time between PCS assertion and SCK assertion and is software programmable using DSPI\_CTARx[PSSCK] and DSPI\_CTARx[CSSCK]. The minimum value is 2 cycles unless TSB mode or Continuous SCK clock mode is selected, in which case, N is automatically set to 0 clock cycles (PCS and SCK are driven by the same edge of DSPI\_CLKn).

<sup>5</sup> t<sub>SYS</sub> is the period of DSPI\_CLKn clock, the input clock to the DSPI module. Maximum frequency is 100 MHz (min t<sub>SYS</sub> = 10 ns).

<sup>6</sup> M is the number of clock cycles added to time between SCK negation and PCS negation and is software programmable using DSPI\_CTARx[PASC] and DSPI\_CTARx[ASC]. The minimum value is 2 cycles unless TSB mode or Continuous SCK clock mode is selected, in which case, M is automatically set to 0 clock cycles (PCS and SCK are driven by the same edge of DSPI\_CLKn).

<sup>7</sup> t<sub>SDC</sub> is only valid for even divide ratios. For odd divide ratios the fundamental duty cycle is not 50:50. For these odd divide ratios cases, the absolute spec number is applied as jitter/uncertainty to the nominal high time and low time.

<sup>8</sup> PCSx and PCSS using same pad configuration.

<sup>9</sup> Input timing assumes an input slew rate of 1 ns (10% – 90%) and uses TTL / Automotive voltage thresholds.

<sup>10</sup> SOUT Data Valid and Data hold are independent of load capacitance if SCK and SOUT load capacitances are the same value.

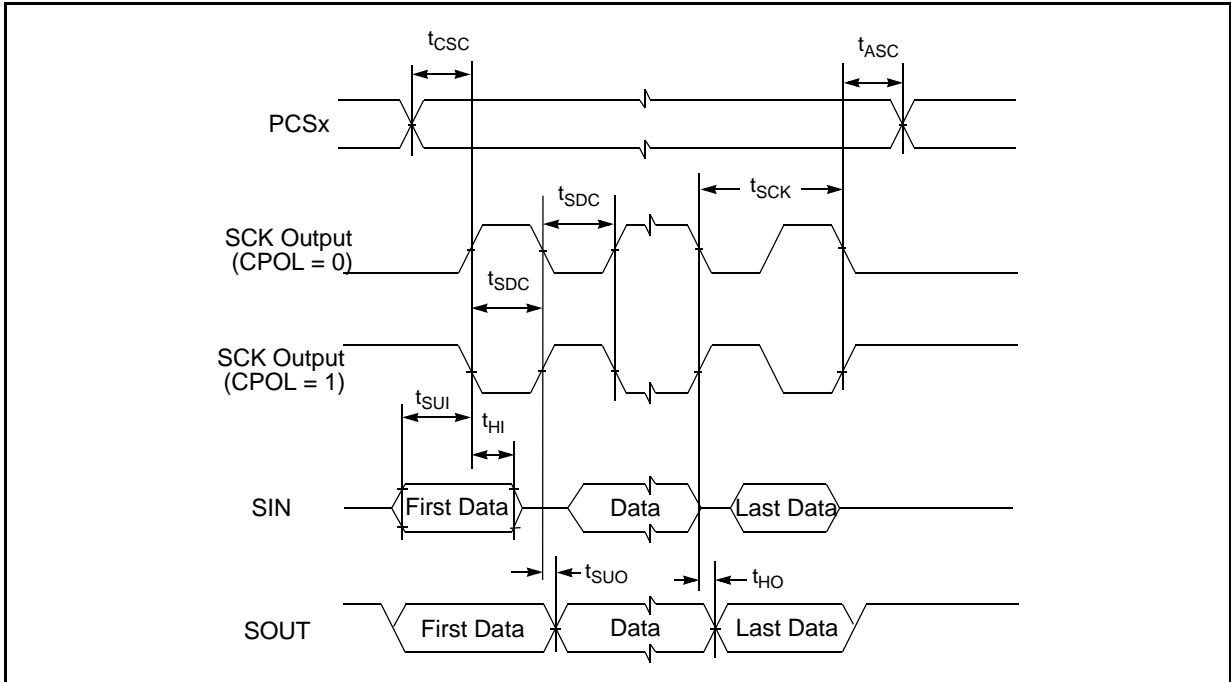


Figure 29. DSPI CMOS master mode – classic timing, CPHA = 0

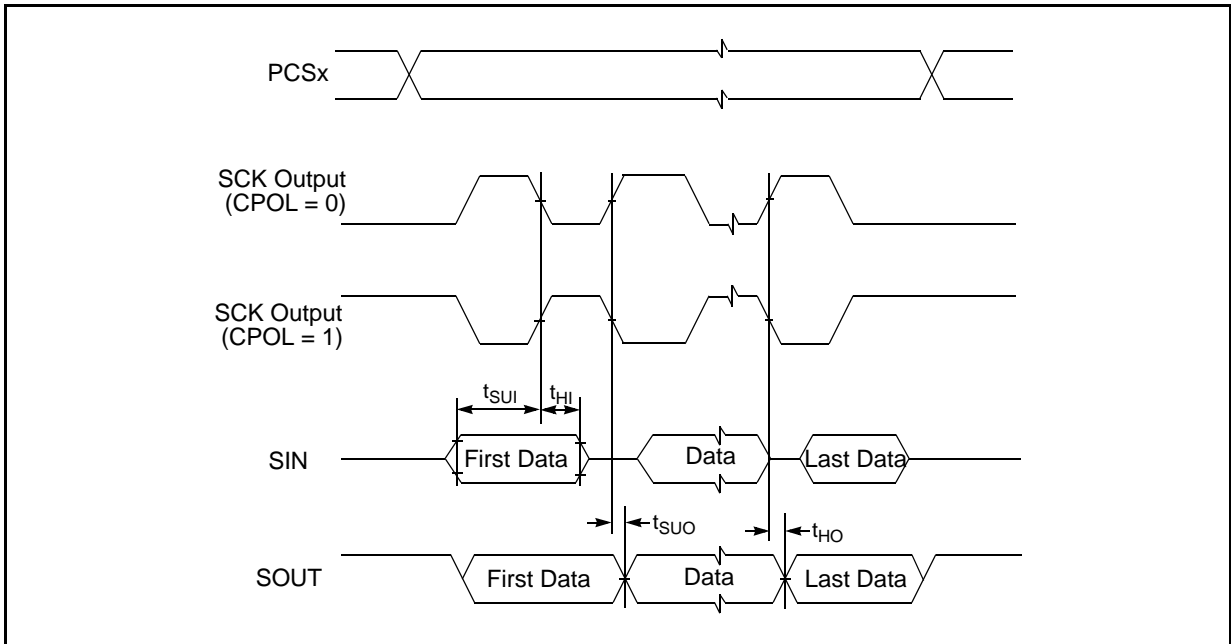


Figure 30. DSPI CMOS master mode – classic timing, CPHA = 1



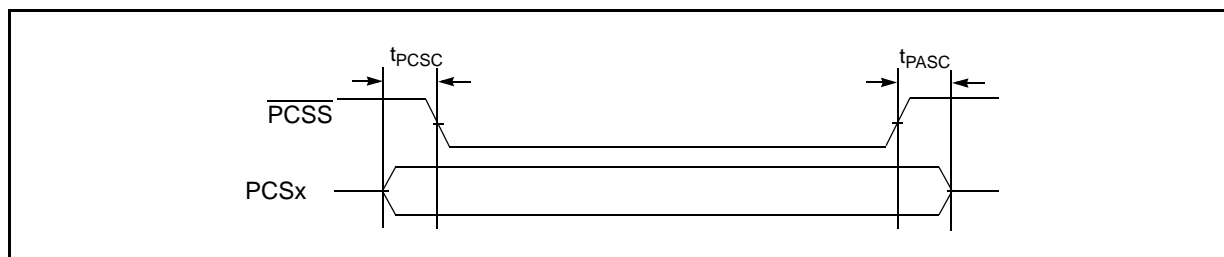


Figure 31. DSPI PCS strobe (PCSS) timing (master mode)

### 3.16.2.1.2 DSPI CMOS Master Mode – Modified Timing

Table 52. DSPI CMOS master modified timing (full duplex and output only) – MTFE = 1, CPHA = 0 or 1<sup>1</sup>

#	Symbol	Characteristic	Condition		Value <sup>2</sup>		Unit
			Pad drive <sup>3</sup>	Load (C <sub>L</sub> )	Min	Max	
1	t <sub>SCK</sub>	CC SCK cycle time	SCK drive strength				ns
			Very strong	25 pF	33.0	—	
			Strong	50 pF	80.0	—	
			Medium	50 pF	200.0	—	
2	t <sub>CSC</sub>	CC PCS to SCK delay	SCK and PCS drive strength				ns
			Very strong	25 pF	$(N^4 \times t_{SYS}^5) - 16$	—	
			Strong	50 pF	$(N^4 \times t_{SYS}^5) - 16$	—	
			Medium	50 pF	$(N^4 \times t_{SYS}^5) - 16$	—	
			PCS medium and SCK strong	PCS = 50 pF SCK = 50 pF	$(N^4 \times t_{SYS}^5) - 29$	—	
3	t <sub>ASC</sub>	CC After SCK delay	SCK and PCS drive strength				ns
			Very strong	PCS = 0 pF SCK = 50 pF	$(M^6 \times t_{SYS}^5) - 35$	—	
			Strong	PCS = 0 pF SCK = 50 pF	$(M^6 \times t_{SYS}^5) - 35$	—	
			Medium	PCS = 0 pF SCK = 50 pF	$(M^6 \times t_{SYS}^5) - 35$	—	
			PCS medium and SCK strong	PCS = 0 pF SCK = 50 pF	$(M^6 \times t_{SYS}^5) - 35$	—	
4	t <sub>SDC</sub>	CC SCK duty cycle <sup>7</sup>	SCK drive strength				ns
			Very strong	0 pF	$\frac{1}{2}t_{SCK} - 2$	$\frac{1}{2}t_{SCK} + 2$	
			Strong	0 pF	$\frac{1}{2}t_{SCK} - 2$	$\frac{1}{2}t_{SCK} + 2$	
			Medium	0 pF	$\frac{1}{2}t_{SCK} - 5$	$\frac{1}{2}t_{SCK} + 5$	
PCS strobe timing							

Electrical characteristics

Table 52. DSPI CMOS master modified timing (full duplex and output only) – MTFE = 1, CPHA = 0 or 1<sup>1</sup>

#	Symbol	Characteristic	Condition		Value <sup>2</sup>		Unit
			Pad drive <sup>3</sup>	Load (C <sub>L</sub> )	Min	Max	
5	t <sub>PCSC</sub>	CC PCSx to PCSS time <sup>8</sup>	PCS and PCSS drive strength				ns
			Strong	25 pF	16.0	—	
6	t <sub>PASC</sub>	CC PCSS to PCSx time <sup>8</sup>	PCS and PCSS drive strength				ns
			Strong	25 pF	16.0	—	
SIN setup time							
7	t <sub>SUI</sub>	CC SIN setup time to SCK CPHA = 0 <sup>9</sup>	SCK drive strength				ns
			Very strong	25 pF	$25 - (P^{10} \times t_{SYS}^5)$	—	
			Strong	50 pF	$32.75 - (P^{10} \times t_{SYS}^5)$	—	
			Medium	50 pF	$52 - (P^{10} \times t_{SYS}^5)$	—	
		CC SIN setup time to SCK CPHA = 1 <sup>9</sup>	SCK drive strength				ns
			Very strong	25 pF	25.0	—	
			Strong	50 pF	32.75	—	
			Medium	50 pF	52.0	—	
SIN hold time							
8	t <sub>HI</sub>	CC SIN hold time from SCK CPHA = 0 <sup>9</sup>	SCK drive strength				ns
			Very strong	0 pF	$-1 + (P^9 \times t_{SYS}^4)$	—	
			Strong	0 pF	$-1 + (P^9 \times t_{SYS}^4)$	—	
			Medium	0 pF	$-1 + (P^9 \times t_{SYS}^4)$	—	
		CC SIN hold time from SCK CPHA = 1 <sup>9</sup>	SCK drive strength				ns
			Very strong	0 pF	-1.0	—	
			Strong	0 pF	-1.0	—	
			Medium	0 pF	-1.0	—	
SOUT data valid time (after SCK edge)							
9	t <sub>SUO</sub>	CC SOUT data valid time from SCK CPHA = 0 <sup>10</sup>	SOUT and SCK drive strength				ns
			Very strong	25 pF	—	$7.0 + t_{SYS}^5$	
			Strong	50 pF	—	$8.0 + t_{SYS}^5$	
			Medium	50 pF	—	$16.0 + t_{SYS}^5$	
		CC SOUT data valid time from SCK CPHA = 1 <sup>10</sup>	SOUT and SCK drive strength				ns
			Very strong	25 pF	—	7.0	
			Strong	50 pF	—	8.0	
			Medium	50 pF	—	16.0	
SOUT data hold time (after SCK edge)							

Table 52. DSPI CMOS master modified timing (full duplex and output only) – MTFE = 1, CPHA = 0 or 1<sup>1</sup>

#	Symbol	Characteristic	Condition		Value <sup>2</sup>		Unit
			Pad drive <sup>3</sup>	Load (C <sub>L</sub> )	Min	Max	
10	t <sub>HO</sub>	SOUT data hold time after SCK CPHA = 0 <sup>11</sup>	SOUT and SCK drive strength				ns
			Very strong	25 pF	-7.7 + t <sub>SYS</sub> <sup>5</sup>	—	
			Strong	50 pF	-11.0 + t <sub>SYS</sub> <sup>5</sup>	—	
			Medium	50 pF	-15.0 + t <sub>SYS</sub> <sup>5</sup>	—	
		SOUT data hold time after SCK CPHA = 1 <sup>11</sup>	SOUT and SCK drive strength				ns
			Very strong	25 pF	-7.7	—	
			Strong	50 pF	-11.0	—	
			Medium	50 pF	-15.0	—	

<sup>1</sup> All output timing is worst case and includes the mismatching of rise and fall times of the output pads.

<sup>2</sup> All timing values for output signals in this table are measured to 50% of the output voltage.

<sup>3</sup> Timing is guaranteed to same drive capabilities for all signals, mixing of pad drives may reduce operating speeds and may cause incorrect operation.

<sup>4</sup> N is the number of clock cycles added to time between PCS assertion and SCK assertion and is software programmable using DSPI\_CTARx[PSSCK] and DSPI\_CTARx[CSSCK]. The minimum value is 2 cycles unless TSB mode or Continuous SCK clock mode is selected, in which case, N is automatically set to 0 clock cycles (PCS and SCK are driven by the same edge of DSPI\_CLKn).

<sup>5</sup> t<sub>SYS</sub> is the period of DSPI\_CLKn clock, the input clock to the DSPI module. Maximum frequency is 100 MHz (min t<sub>SYS</sub> = 10 ns).

<sup>6</sup> M is the number of clock cycles added to time between SCK negation and PCS negation and is software programmable using DSPI\_CTARx[PASC] and DSPI\_CTARx[ASC]. The minimum value is 2 cycles unless TSB mode or Continuous SCK clock mode is selected, in which case, M is automatically set to 0 clock cycles (PCS and SCK are driven by the same edge of DSPI\_CLKn).

<sup>7</sup> t<sub>SDC</sub> is only valid for even divide ratios. For odd divide ratios the fundamental duty cycle is not 50:50. For these odd divide ratios cases, the absolute spec number is applied as jitter/uncertainty to the nominal high time and low time.

<sup>8</sup> PCSx and PCSS using same pad configuration.

<sup>9</sup> Input timing assumes an input slew rate of 1 ns (10% – 90%) and uses TTL / Automotive voltage thresholds.

<sup>10</sup> P is the number of clock cycles added to delay the DSPI input sample point and is software programmable using DSPI\_MCR[SMPL\_PT]. The value must be 0, 1 or 2. If the baud rate divide ratio is /2 or /3, this value is automatically set to 1.

<sup>11</sup> SOUT Data Valid and Data hold are independent of load capacitance if SCK and SOUT load capacitances are the same value.

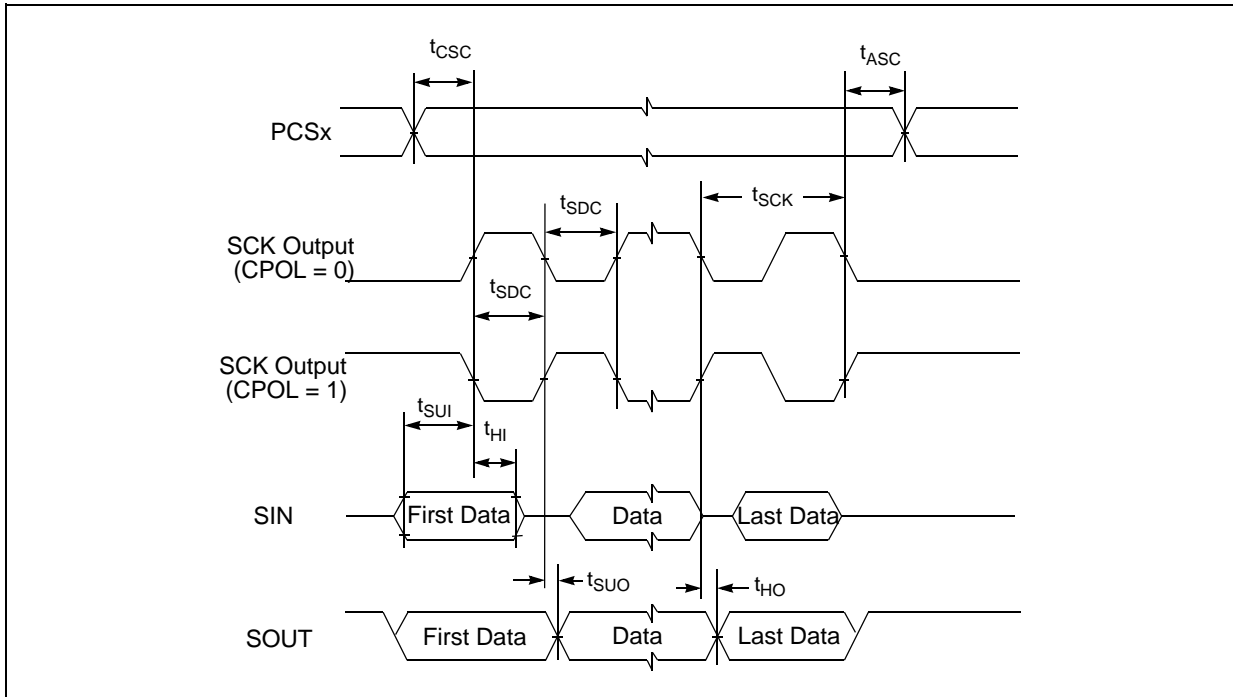


Figure 32. DSPI CMOS master mode – modified timing, CPHA = 0

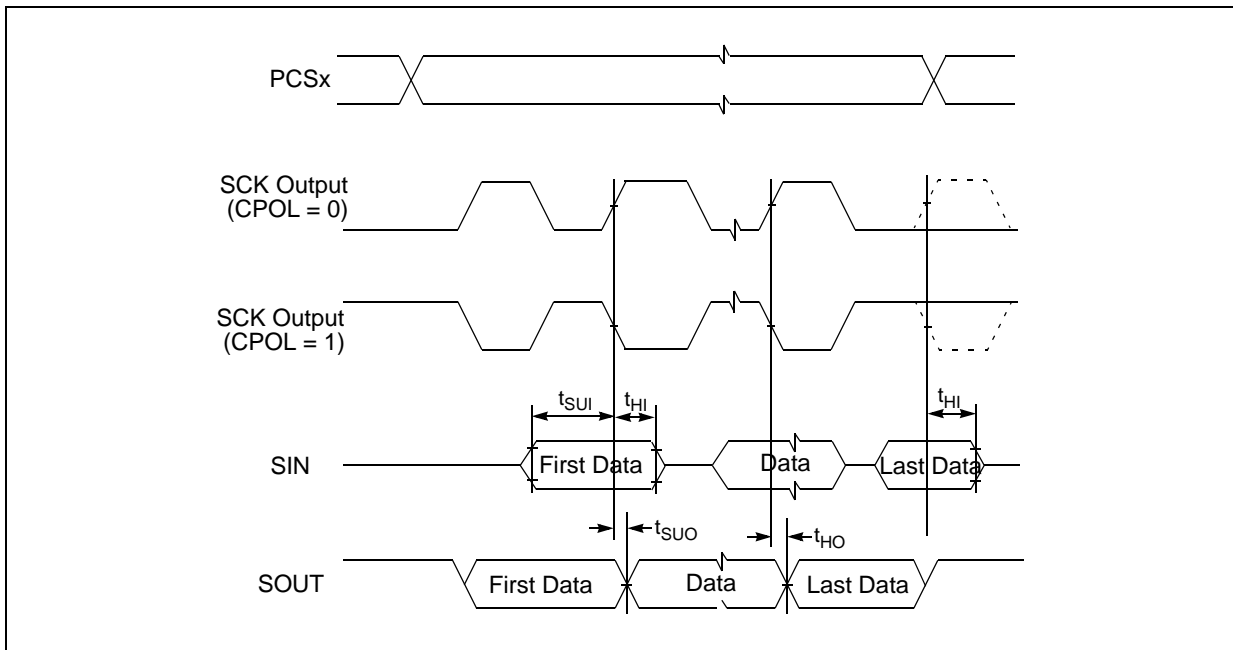


Figure 33. DSPI CMOS master mode – modified timing, CPHA = 1

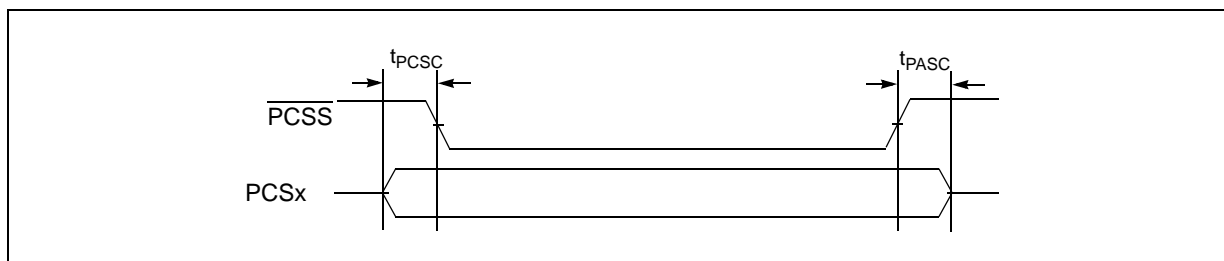


Figure 34. DSPI PCS strobe (PCSS) timing (master mode)

### 3.16.2.1.3 DSPI LVDS Master Mode – Modified Timing

Table 53. DSPI LVDS master timing – full duplex – modified transfer format (MTFE = 1), CPHA = 0 or 1

#	Symbol	Characteristic	Condition		Value <sup>1</sup>		Unit	
			Pad drive	Load	Min	Max		
1	t <sub>SCK</sub>	CC SCK cycle time	LVDS	15 pF to 25 pF differential	30.0	—	ns	
2	t <sub>CSC</sub>	CC PCS to SCK delay (LVDS SCK)	PCS drive strength					
			Very strong	25 pF	$(N^2 \times t_{SYS}^3) - 10$	—	ns	
			Strong	50 pF	$(N^2 \times t_{SYS}^3) - 10$	—	ns	
			Medium	50 pF	$(N^2 \times t_{SYS}^3) - 32$	—	ns	
3	t <sub>ASC</sub>	CC After SCK delay (LVDS SCK)	Very strong	PCS = 0 pF SCK = 25 pF	$(M^4 \times t_{SYS}^3) - 8$	—	ns	
			Strong	PCS = 0 pF SCK = 25 pF	$(M^4 \times t_{SYS}^3) - 8$	—	ns	
			Medium	PCS = 0 pF SCK = 25 pF	$(M^4 \times t_{SYS}^3) - 8$	—	ns	
4	t <sub>SDC</sub>	CC SCK duty cycle <sup>5</sup>	LVDS	15 pF to 25 pF differential	$\frac{1}{2}t_{SCK} - 2$	$\frac{1}{2}t_{SCK} + 2$	ns	
7	t <sub>SUI</sub>	CC	SIN setup time					
			SIN setup time to SCK CPHA = 0 <sup>6</sup>	SCK drive strength				
				LVDS	15 pF to 25 pF differential	$23 - (P^7 \times t_{SYS}^3)$	—	ns
			SIN setup time to SCK CPHA = 1 <sup>6</sup>	SCK drive strength				
LVDS	15 pF to 25 pF differential	23		—	ns			

Table 53. DSPI LVDS master timing – full duplex – modified transfer format (MTFE = 1), CPHA = 0 or 1

#	Symbol	Characteristic	Condition		Value <sup>1</sup>		Unit	
			Pad drive	Load	Min	Max		
8	t <sub>HI</sub>	CC	SIN Hold Time					
			SIN hold time from SCK CPHA = 0 <sup>6</sup>	SCK drive strength				
				LVDS	0 pF differential	$-1 + (P^7 \times t_{SYS}^3)$	—	ns
			SIN hold time from SCK CPHA = 1 <sup>6</sup>	SCK drive strength				
LVDS	0 pF differential	-1		—	ns			
9	t <sub>SUO</sub>	CC	SOUT data valid time (after SCK edge)					
			SOUT data valid time from SCK CPHA = 0 <sup>8</sup>	SOUT and SCK drive strength				
				LVDS	15 pF to 25 pF differential	—	$7.0 + t_{SYS}^3$	ns
			SOUT data valid time from SCK CPHA = 1 <sup>8</sup>	SOUT and SCK drive strength				
LVDS	15 pF to 25 pF differential	—		7.0	ns			
10	t <sub>HO</sub>	CC	SOUT data hold time (after SCK edge)					
			SOUT data hold time after SCK CPHA = 0 <sup>8</sup>	SOUT and SCK drive strength				
				LVDS	15 pF to 25 pF differential	$-7.5 + t_{SYS}^3$	—	ns
			SOUT data hold time after SCK CPHA = 1 <sup>8</sup>	SOUT and SCK drive strength				
LVDS	15 pF to 25 pF differential	-7.5		—	ns			

<sup>1</sup> All timing values for output signals in this table are measured to 50% of the output voltage.

<sup>2</sup> N is the number of clock cycles added to time between PCS assertion and SCK assertion and is software programmable using DSPI\_CTARx[PSSCK] and DSPI\_CTARx[CSSCK]. The minimum value is 2 cycles unless TSB mode or Continuous SCK clock mode is selected, in which case, N is automatically set to 0 clock cycles (PCS and SCK are driven by the same edge of DSPI\_CLKn).

<sup>3</sup> t<sub>SYS</sub> is the period of DSPI\_CLKn clock, the input clock to the DSPI module. Maximum frequency is 100 MHz (min t<sub>SYS</sub> = 10 ns).

<sup>4</sup> M is the number of clock cycles added to time between SCK negation and PCS negation and is software programmable using DSPI\_CTARx[PASC] and DSPI\_CTARx[ASC]. The minimum value is 2 cycles unless TSB mode or Continuous SCK clock mode is selected, in which case, M is automatically set to 0 clock cycles (PCS and SCK are driven by the same edge of DSPI\_CLKn).

<sup>5</sup> t<sub>SDC</sub> is only valid for even divide ratios. For odd divide ratios the fundamental duty cycle is not 50:50. For these odd divide ratios cases, the absolute spec number is applied as jitter/uncertainty to the nominal high time and low time.

<sup>6</sup> Input timing assumes an input slew rate of 1 ns (10% – 90%) and LVDS differential voltage = ±100 mV.

<sup>7</sup> P is the number of clock cycles added to delay the DSPI input sample point and is software programmable using DSPI\_MCR[SMPL\_PT]. The value must be 0, 1 or 2. If the baud rate divide ratio is /2 or /3, this value is automatically set to 1.

- <sup>8</sup> SOUT Data Valid and Data hold are independent of load capacitance if SCK and SOUT load capacitances are the same value.

**Table 54. DSPI LVDS slave timing – full duplex – modified transfer format (MTFE = 0/1)<sup>1</sup>**

#	Symbol		Characteristic	Condition		Value		Unit
				Pad drive	Load	Min	Max	
1	$t_{SCK}$	CC	SCK cycle time <sup>2</sup>	—	—	62	—	ns
2	$t_{CSC}$	SR	$\overline{SS}$ to SCK delay <sup>2</sup>	—	—	16	—	ns
3	$t_{ASC}$	SR	SCK to $\overline{SS}$ delay <sup>2</sup>	—	—	16	—	ns
4	$t_{SDC}$	CC	SCK duty cycle <sup>2</sup>	—	—	30	—	ns
5	$t_A$	CC	Slave Access Time <sup>2, 3, 4</sup> ( $\overline{SS}$ active to SOUT driven)	Very strong	25 pF	—	50	ns
				Strong	50 pF	—	50	ns
				Medium	50 pF	—	60	ns
6	$t_{DIS}$	CC	Slave SOUT Disable Time <sup>2, 3, 4</sup> ( $\overline{SS}$ inactive to SOUT High-Z or invalid)	Very strong	25 pF	—	5	ns
				Strong	50 pF	—	5	ns
				Medium	50 pF	—	10	ns
7	$t_{SUI}$	CC	Data setup time for inputs <sup>2</sup>	—	—	10	—	ns
8	$t_{HI}$	CC	Data hold time for inputs <sup>2</sup>	—	—	10	—	ns
9	$t_{SUO}$	CC	SOUT Valid Time <sup>2, 3, 4</sup> (after SCK edge)	Very strong	25 pF	—	30	ns
				Strong	50 pF	—	30	ns
				Medium	50 pF	—	50	ns
10	$t_{HO}$	CC	SOUT Hold Time <sup>2, 3, 4</sup> (after SCK edge)	Very strong	25 pF	2.5	—	ns
				Strong	50 pF	2.5	—	ns
				Medium	50 pF	2.5	—	ns

<sup>1</sup> DSPI slave operation is only supported for a single master and single slave on the device. Timing is valid for that case only.

<sup>2</sup> Input timing assumes an input slew rate of 1 ns (10% - 90%) and uses TTL / Automotive voltage thresholds.

<sup>3</sup> All timing values for output signals in this table, are measured to 50% of the output voltage.

<sup>4</sup> All output timing is worst case and includes the mismatching of rise and fall times of the output pads.

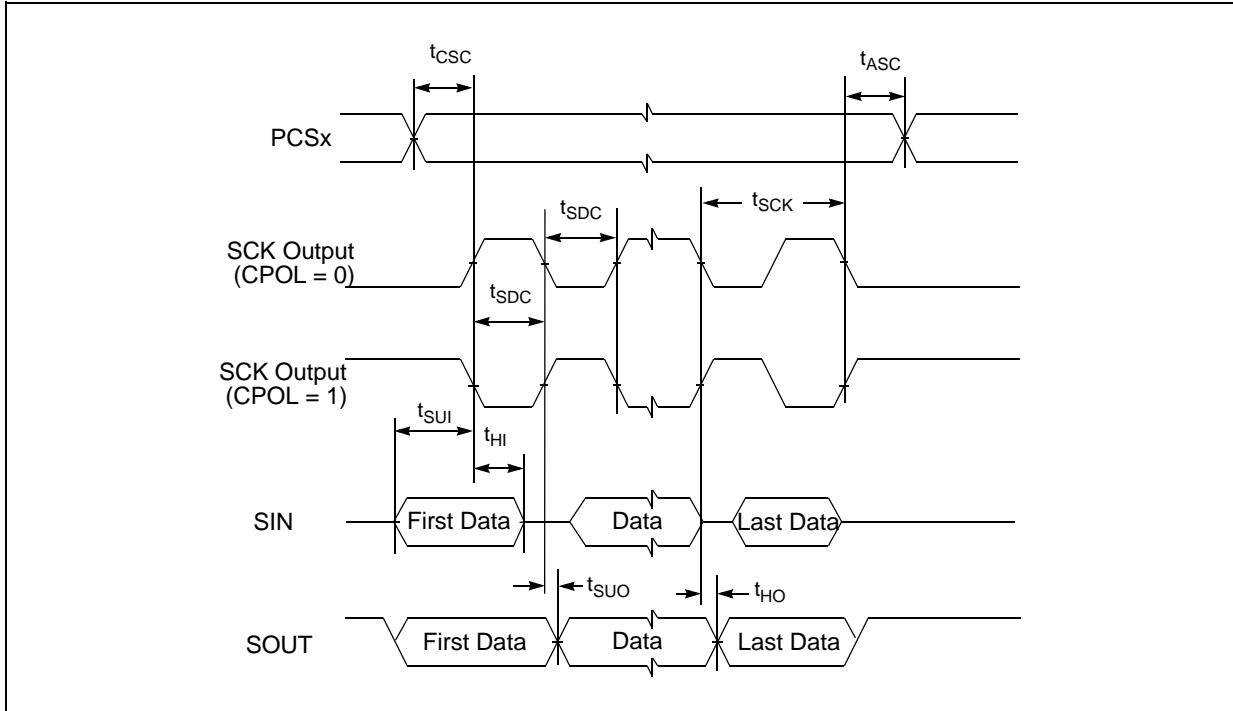


Figure 35. DSPI LVDS master mode – modified timing, CPHA = 0

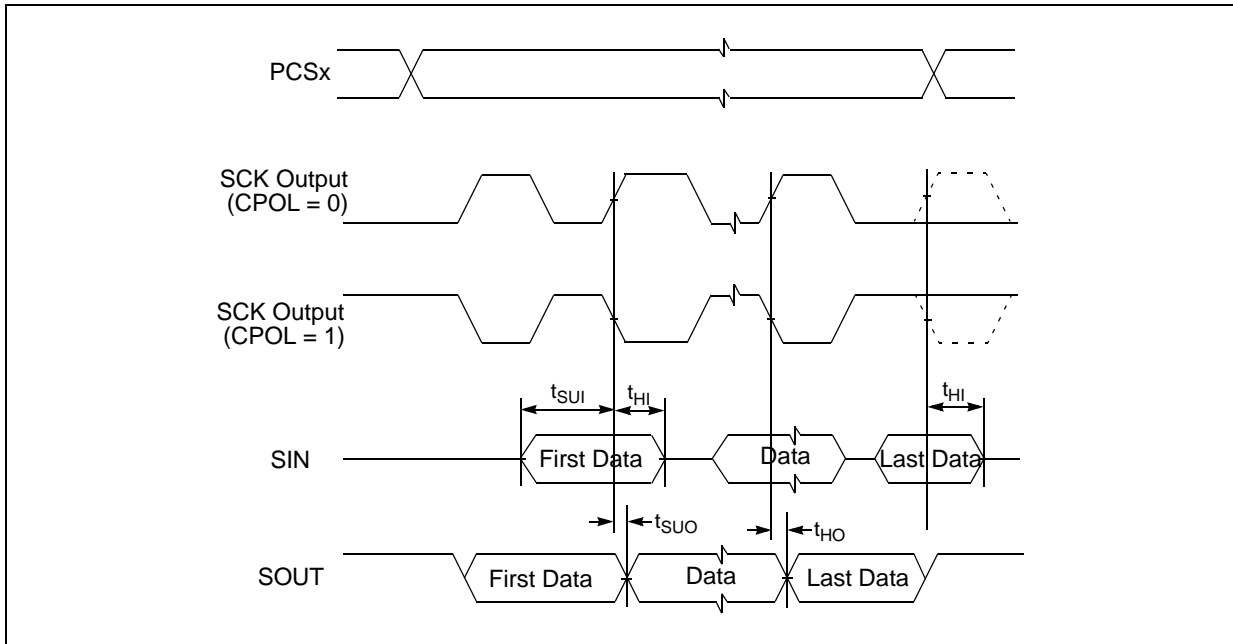


Figure 36. DSPI LVDS master mode – modified timing, CPHA = 1



## 3.16.2.1.4 DSPI Master Mode – Output Only

Table 55. DSPI LVDS master timing – output only – timed serial bus mode TSB = 1 or ITSB = 1, CPOL = 0 or 1, continuous SCK clock<sup>1,2</sup>

#	Symbol		Characteristic	Condition		Value		Unit
				Pad drive	Load	Min	Max	
1	t <sub>SCK</sub>	CC	SCK cycle time	LVDS	15 pF to 50 pF differential	25.0	—	ns
2	t <sub>CSV</sub>	CC	PCS valid after SCK <sup>3</sup> (SCK with 50 pF differential load cap.)	Very strong	25 pF	—	6.0	ns
				Strong	50 pF	—	10.5	ns
3	t <sub>CSH</sub>	CC	PCS hold after SCK <sup>3</sup> (SCK with 50 pF differential load cap.)	Very strong	0 pF	-4.0	—	ns
				Strong	0 pF	-4.0	—	ns
4	t <sub>SDC</sub>	CC	SCK duty cycle (SCK with 50 pF differential load cap.)	LVDS	15 pF to 50 pF differential	$\frac{1}{2}t_{SCK} - 2$	$\frac{1}{2}t_{SCK} + 2$	ns
SOUT data valid time (after SCK edge)								
5	t <sub>SUO</sub>	CC	SOUT data valid time from SCK <sup>4</sup>	SOUT and SCK drive strength				
				LVDS	15 pF to 50 pF differential	—	3.5	ns
SOUT data hold time (after SCK edge)								
6	t <sub>HO</sub>	CC	SOUT data hold time after SCK <sup>4</sup>	SOUT and SCK drive strength				
				LVDS	15 pF to 50 pF differential	-3.5	—	ns

<sup>1</sup> All DSPI timing specifications apply to pins when using LVDS pads for SCK and SOUT and CMOS pad for PCS with pad driver strength as defined. Timing may degrade for weaker output drivers.

<sup>2</sup> TSB = 1 or ITSB = 1 automatically selects MTFE = 1 and CPHA = 1.

<sup>3</sup> With TSB mode or Continuous SCK clock mode selected, PCS and SCK are driven by the same edge of DSPI\_CLKn. This timing value is due to pad delays and signal propagation delays.

<sup>4</sup> SOUT Data Valid and Data hold are independent of load capacitance if SCK and SOUT load capacitances are the same value.

Table 56. DSPI CMOS master timing – output only – timed serial bus mode TSB = 1 or ITSB = 1, CPOL = 0 or 1, continuous SCK clock<sup>1,2</sup>

#	Symbol		Characteristic	Condition		Value <sup>3</sup>		Unit
				Pad drive <sup>4</sup>	Load (C <sub>L</sub> )	Min	Max	
1	t <sub>SCK</sub>	CC	SCK cycle time	SCK drive strength				
				Very strong	25 pF	33.0	—	ns
				Strong	50 pF	80.0	—	ns
				Medium	50 pF	200.0	—	ns

Electrical characteristics

Table 56. DSPI CMOS master timing – output only – timed serial bus mode TSB = 1 or ITSB = 1, CPOL = 0 or 1, continuous SCK clock<sup>1,2</sup> (continued)

#	Symbol		Characteristic	Condition		Value <sup>3</sup>		Unit
				Pad drive <sup>4</sup>	Load (C <sub>L</sub> )	Min	Max	
2	t <sub>CSV</sub>	CC	PCS valid after SCK <sup>5</sup>	SCK and PCS drive strength				
				Very strong	25 pF	7	—	ns
				Strong	50 pF	8	—	ns
				Medium	50 pF	16	—	ns
				PCS medium and SCK strong	PCS = 50 pF SCK = 50 pF	29	—	ns
3	t <sub>CSH</sub>	CC	PCS hold after SCK <sup>5</sup>	SCK and PCS drive strength				
				Very strong	PCS = 0 pF SCK = 50 pF	-14	—	ns
				Strong	PCS = 0 pF SCK = 50 pF	-14	—	ns
				Medium	PCS = 0 pF SCK = 50 pF	-33	—	ns
				PCS medium and SCK strong	PCS = 0 pF SCK = 50 pF	-35	—	ns
4	t <sub>SDC</sub>	CC	SCK duty cycle <sup>6</sup>	SCK drive strength				
				Very strong	0 pF	$\frac{1}{2}t_{SCK} - 2$	$\frac{1}{2}t_{SCK} + 2$	ns
				Strong	0 pF	$\frac{1}{2}t_{SCK} - 2$	$\frac{1}{2}t_{SCK} + 2$	ns
				Medium	0 pF	$\frac{1}{2}t_{SCK} - 5$	$\frac{1}{2}t_{SCK} + 5$	ns
SOUT data valid time (after SCK edge)								
9	t <sub>SUO</sub>	CC	SOUT data valid time from SCK CPHA = 1 <sup>7</sup>	SOUT and SCK drive strength				
				Very strong	25 pF	—	7.0	ns
				Strong	50 pF	—	8.0	ns
				Medium	50 pF	—	16.0	ns
SOUT data hold time (after SCK edge)								
10	t <sub>HO</sub>	CC	SOUT data hold time after SCK CPHA = 1 <sup>7</sup>	SOUT and SCK drive strength				
				Very strong	25 pF	-7.7	—	ns
				Strong	50 pF	-11.0	—	ns
				Medium	50 pF	-15.0	—	ns

<sup>1</sup> TSB = 1 or ITSB = 1 automatically selects MTFE = 1 and CPHA = 1.

<sup>2</sup> All output timing is worst case and includes the mismatching of rise and fall times of the output pads.

<sup>3</sup> All timing values for output signals in this table are measured to 50% of the output voltage.

<sup>4</sup> Timing is guaranteed to same drive capabilities for all signals, mixing of pad drives may reduce operating speeds and may cause incorrect operation.

<sup>5</sup> With TSB mode or Continuous SCK clock mode selected, PCS and SCK are driven by the same edge of DSPI\_CLKn. This timing value is due to pad delays and signal propagation delays.

- <sup>6</sup>  $t_{SDC}$  is only valid for even divide ratios. For odd divide ratios the fundamental duty cycle is not 50:50. For these odd divide ratios cases, the absolute spec number is applied as jitter/uncertainty to the nominal high time and low time.
- <sup>7</sup> SOUT Data Valid and Data hold are independent of load capacitance if SCK and SOUT load capacitances are the same value.

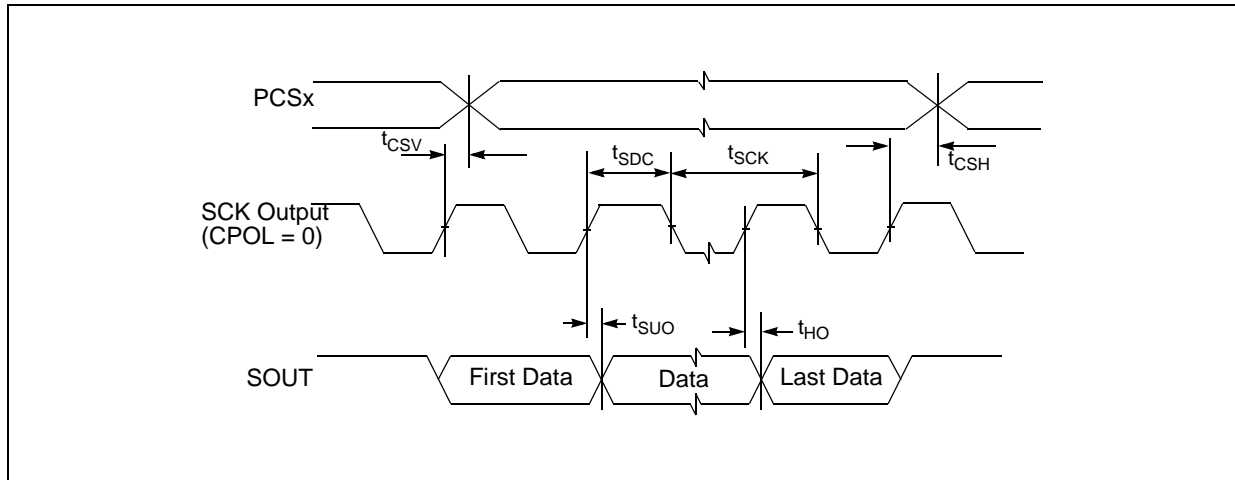


Figure 37. DSPI LVDS and CMOS master timing – output only – modified transfer format MTFE = 1, CHPA = 1

### 3.16.2.2 Slave Mode timing

Table 57. DSPI CMOS Slave timing - Modified Transfer Format (MTFE = 0/1)<sup>1</sup>

#	Symbol	Characteristic	Condition		Min	Max	Unit	
			Pad Drive	Load				
1	$t_{SCK}$	CC	SCK Cycle Time <sup>2</sup>	-	-	62	—	ns
2	$t_{CSC}$	SR	$\overline{SS}$ to SCK Delay <sup>2</sup>	-	-	16	—	ns
3	$t_{ASC}$	SR	SCK to $\overline{SS}$ Delay <sup>2</sup>	-	-	16	—	ns
4	$t_{SDC}$	CC	SCK Duty Cycle <sup>2</sup>	-	-	30	—	ns
5	$t_A$	CC	Slave Access Time <sup>2,3,4</sup> ( $\overline{SS}$ active to SOUT driven)	Very Strong	25 pF	—	50	ns
				Strong	50 pF	—	50	ns
				Medium	50 pF	—	60	ns
6	$t_{DIS}$	CC	Slave SOUT Disable Time <sup>2,3,4</sup> ( $\overline{SS}$ inactive to SOUT High-Z or invalid)	Very Strong	25 pF	—	5	ns
				Strong	50 pF	—	5	ns
				Medium	50 pF	—	10	ns
9	$t_{SUI}$	CC	Data Setup Time for Inputs <sup>2</sup>	—	—	10	—	ns
10	$t_{HI}$	CC	Data Hold Time for Inputs <sup>2</sup>	—	—	10	—	ns

**Table 57. DSPI CMOS Slave timing - Modified Transfer Format (MTFE = 0/1)<sup>1</sup>**

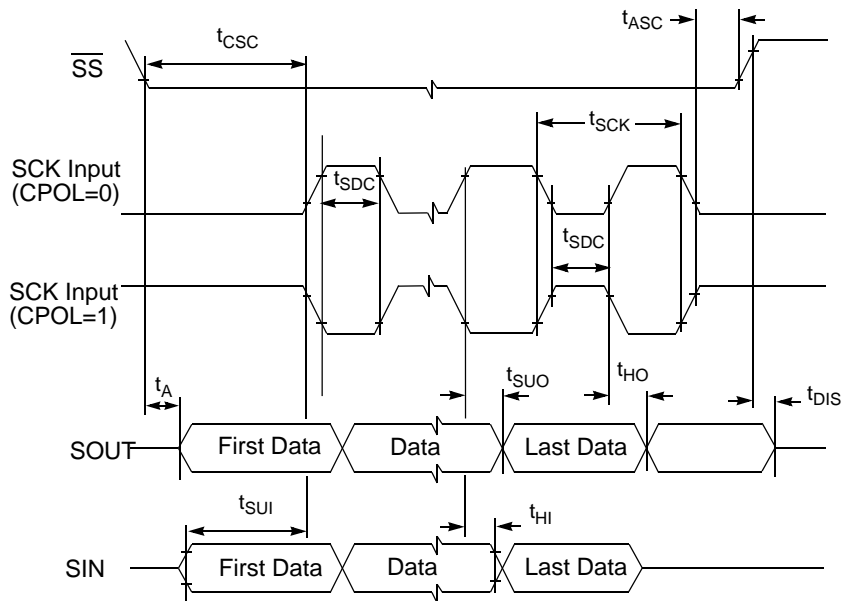
#	Symbol	Characteristic	Condition		Min	Max	Unit
			Pad Drive	Load			
11	t <sub>SUO</sub>	SOUT Valid Time <sup>2,3,4</sup> (after SCK edge)	Very Strong	25 pF	—	30	ns
			Strong	50 pF	—	30	ns
			Medium	50 pF	—	50	ns
12	t <sub>HO</sub>	SOUT Hold Time <sup>2,3,4</sup> (after SCK edge)	Very Strong	25 pF	2.5	—	ns
			Strong	50 pF	2.5	—	ns
			Medium	50 pF	2.5	—	ns

<sup>1</sup> DSPI slave operation is only supported for a single master and single slave on the device. Timing is valid for that case only.

<sup>2</sup> Input timing assumes an input slew rate of 1 ns (10% - 90%) and uses TTL / Automotive voltage thresholds.

<sup>3</sup> All timing values for output signals in this table, are measured to 50% of the output voltage.

<sup>4</sup> All output timing is worst case and includes the mismatching of rise and fall times of the output pads.



**Figure 38. DSPI Slave Mode - Modified transfer format timing (MFTE = 0/1) — CPHA = 0**

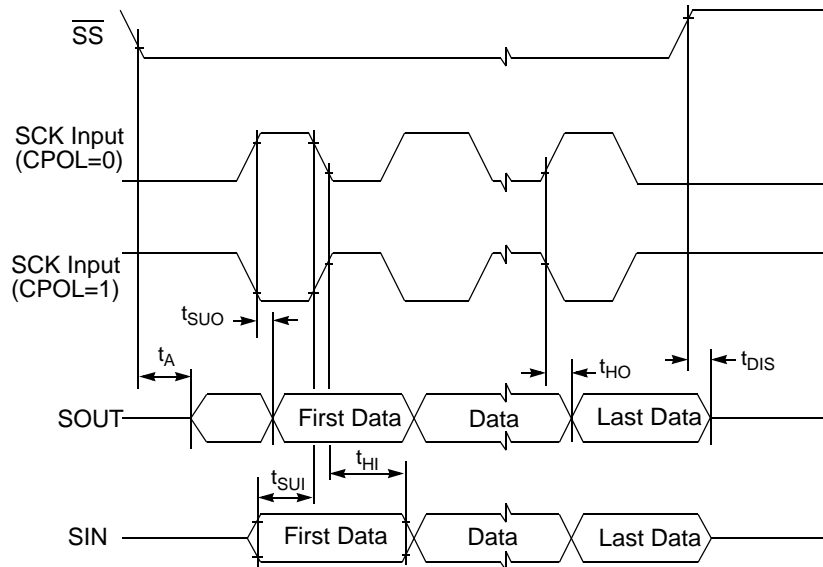


Figure 39. DSPI Slave Mode - Modified transfer format timing (MFTE = 0/1) — CPHA = 1

### 3.16.3 FEC timing

The FEC provides both MII and RMI interfaces in the 416 TEPBGA and 512 TEPBGA packages, and the MII and RMI signals can be configured for either CMOS or TTL signal levels compatible with devices operating at either 5.0 V or 3.3 V.

#### 3.16.3.1 MII receive signal timing (RXD[3:0], RX\_DV, RX\_ER, and RX\_CLK)

The receiver functions correctly up to a RX\_CLK maximum frequency of 25 MHz +1%. There is no minimum frequency requirement. The system clock frequency must be at least equal to or greater than the RX\_CLK frequency.

Table 58. MII receive signal timing<sup>1</sup>

Symbol	Characteristic	Value		Unit
		Min	Max	
M1	CC RXD[3:0], RX_DV, RX_ER to RX_CLK setup	5	—	ns
M2	CC RX_CLK to RXD[3:0], RX_DV, RX_ER hold	5	—	ns
M3	CC RX_CLK pulse width high	35%	65%	RX_CLK period
M4	CC RX_CLK pulse width low	35%	65%	RX_CLK period

<sup>1</sup> All timing specifications are referenced from RX\_CLK = 1.4 V to the valid input levels, 0.8 V and 2.0 V.

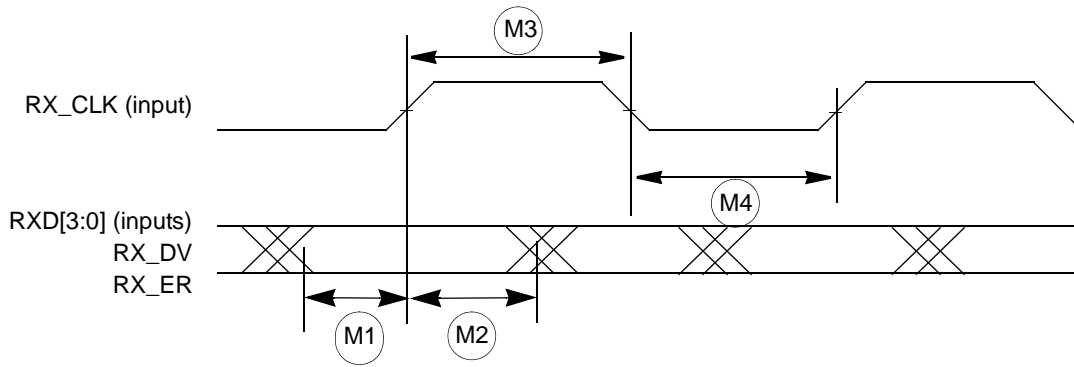


Figure 40. MII receive signal timing diagram

### 3.16.3.2 MII transmit signal timing (TXD[3:0], TX\_EN, TX\_ER, TX\_CLK)

The transmitter functions correctly up to a TX\_CLK maximum frequency of 25 MHz +1%. There is no minimum frequency requirement. The system clock frequency must be at least equal to or greater than the TX\_CLK frequency.

The transmit outputs (TXD[3:0], TX\_EN, TX\_ER) can be programmed to transition from either the rising or falling edge of TX\_CLK, and the timing is the same in either case. This options allows the use of non-compliant MII PHYs.

Refer to the *MPC5777M Microcontroller Reference Manual's* Fast Ethernet Controller (FEC) chapter for details of this option and how to enable it.

Table 59. MII transmit signal timing<sup>1</sup>

Symbol	Characteristic	Value <sup>2</sup>		Unit
		Min	Max	
M5	CC TX_CLK to TXD[3:0], TX_EN, TX_ER invalid	5	—	ns
M6	CC TX_CLK to TXD[3:0], TX_EN, TX_ER valid	—	25	ns
M7	CC TX_CLK pulse width high	35%	65%	TX_CLK period
M8	CC TX_CLK pulse width low	35%	65%	TX_CLK period

<sup>1</sup> All timing specifications are referenced from TX\_CLK = 1.4 V to the valid output levels, 0.8 V and 2.0 V.

<sup>2</sup> Output parameters are valid for C<sub>L</sub> = 25 pF, where C<sub>L</sub> is the external load to the device. The internal package capacitance is accounted for, and does not need to be subtracted from the 25 pF value.

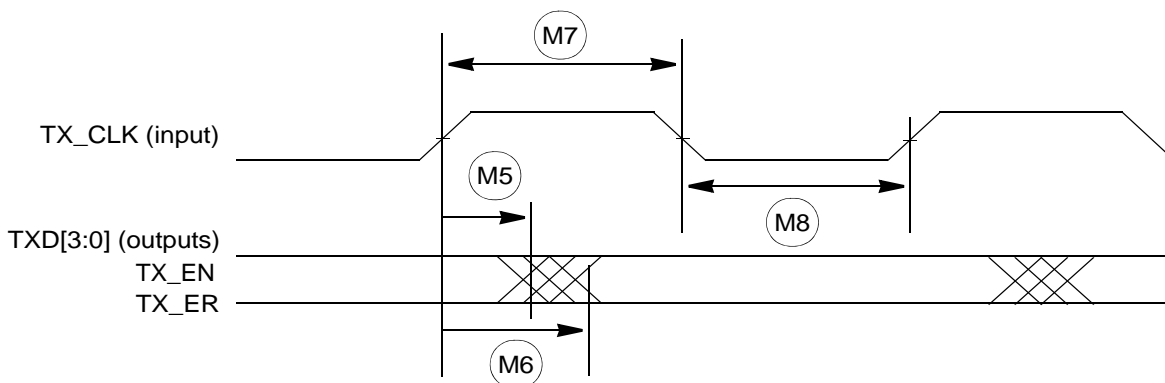


Figure 41. MII transmit signal timing diagram

### 3.16.3.3 MII async inputs signal timing (CRS and COL)

Table 60. MII async inputs signal timing

Symbol	Characteristic	Value		Unit
		Min	Max	
M9	CC CRS, COL minimum pulse width	1.5	—	TX_CLK period

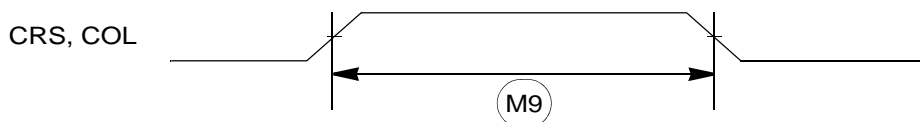


Figure 42. MII async inputs timing diagram

### 3.16.3.4 MII and RMI serial management channel timing (MDIO and MDC)

The FEC functions correctly with a maximum MDC frequency of 2.5 MHz.

Table 61. MII serial management channel timing<sup>1</sup>

Symbol	Characteristic	Value <sup>2</sup>		Unit
		Min	Max	
M10	CC MDC falling edge to MDIO output invalid (minimum propagation delay)	0	—	ns
M11	CC MDC falling edge to MDIO output valid (max prop delay)	—	25	ns
M12	CC MDIO (input) to MDC rising edge setup	10	—	ns
M13	CC MDIO (input) to MDC rising edge hold	0	—	ns
M14	CC MDC pulse width high	40%	60%	MDC period
M15	CC MDC pulse width low	40%	60%	MDC period

<sup>1</sup> All timing specifications are referenced from MDC = 1.4 V (TTL levels) to the valid input and output levels, 0.8 V and 2.0 V (TTL levels). For 5 V operation, timing is referenced from MDC = 50% to 2.2 V/3.5 V input and output levels.

## Electrical characteristics

- <sup>2</sup> Output parameters are valid for  $C_L = 25$  pF, where  $C_L$  is the external load to the device. The internal package capacitance is accounted for, and does not need to be subtracted from the 25 pF value.

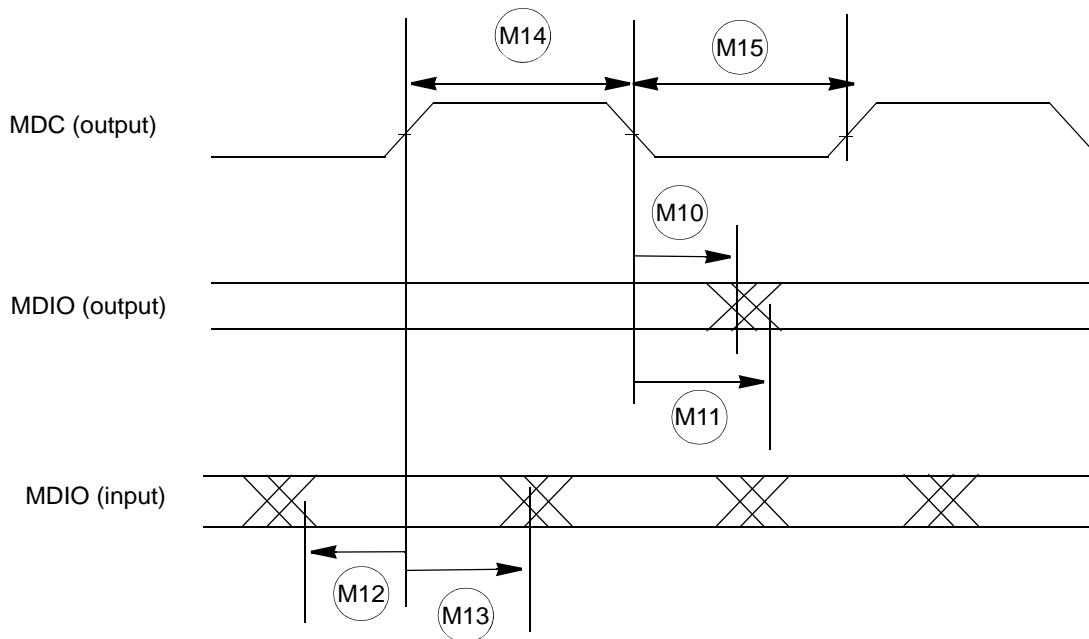


Figure 43. MII serial management channel timing diagram

### 3.16.3.5 RMII receive signal timing (RXD[1:0], CRS\_DV)

The receiver functions correctly up to a REF\_CLK maximum frequency of 50 MHz +1%. There is no minimum frequency requirement. The system clock frequency must be at least equal to or greater than the RX\_CLK frequency, which is half that of the REF\_CLK frequency.

Table 62. RMII receive signal timing<sup>1</sup>

Symbol	Characteristic	Value		Unit
		Min	Max	
R1	CC RXD[1:0], CRS_DV to REF_CLK setup	4	—	ns
R2	CC REF_CLK to RXD[1:0], CRS_DV hold	2	—	ns
R3	CC REF_CLK pulse width high	35%	65%	REF_CLK period
R4	CC REF_CLK pulse width low	35%	65%	REF_CLK period

<sup>1</sup> All timing specifications are referenced from REF\_CLK = 1.4 V to the valid input levels, 0.8 V and 2.0 V.



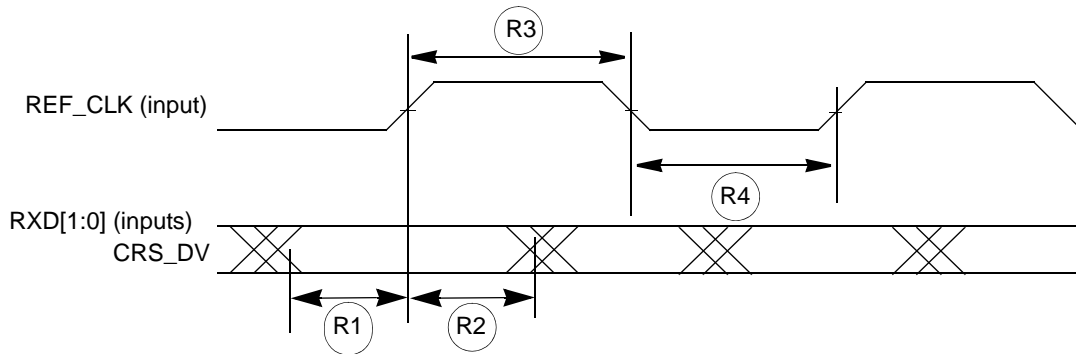


Figure 44. RMII receive signal timing diagram

### 3.16.3.6 RMII transmit signal timing (TXD[1:0], TX\_EN)

The transmitter functions correctly up to a REF\_CLK maximum frequency of 50 MHz + 1%. There is no minimum frequency requirement. The system clock frequency must be at least equal to or greater than the TX\_CLK frequency, which is half that of the REF\_CLK frequency.

The transmit outputs (TXD[1:0], TX\_EN) can be programmed to transition from either the rising or falling edge of REF\_CLK, and the timing is the same in either case. These options allows the use of non-compliant RMII PHYs.

Table 63. RMII transmit signal timing<sup>1, 2</sup>

Symbol	Characteristic	Value <sup>3</sup>		Unit
		Min	Max	
R5	CC REF_CLK to TXD[1:0], TX_EN invalid	2	—	ns
R6	CC REF_CLK to TXD[1:0], TX_EN valid	—	16	ns
R7	CC REF_CLK pulse width high	35%	65%	REF_CLK period
R8	CC REF_CLK pulse width low	35%	65%	REF_CLK period

<sup>1</sup> RMII timing is valid only up to a maximum of 150 °C junction temperature.

<sup>2</sup> All timing specifications are referenced for TTL or CMOS input levels for REF\_CLK to the valid output levels, 0.8 V and 2.0 V.

<sup>3</sup> Output parameters are valid for  $C_L = 25$  pF, where  $C_L$  is the external load to the device. The internal package capacitance is accounted for, and does not need to be subtracted from the 25 pF value.

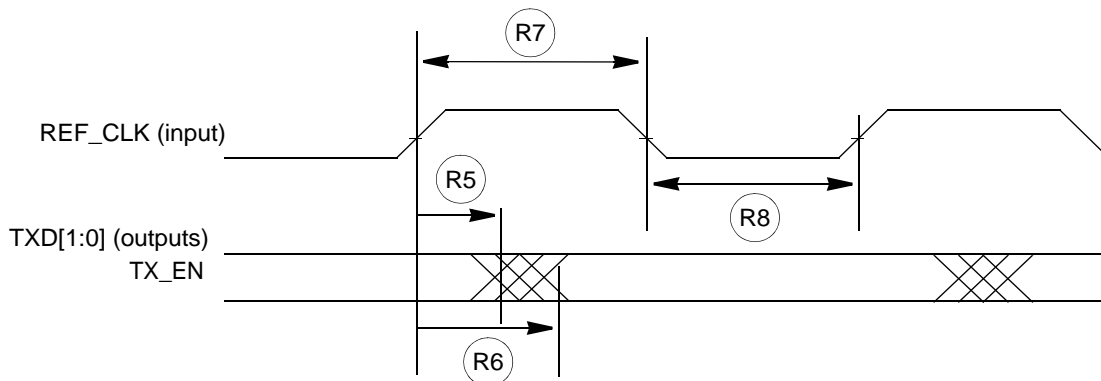


Figure 45. RMII transmit signal timing diagram

### 3.16.4 FlexRay timing

This section provides the FlexRay Interface timing characteristics for the input and output signals.

These are recommended numbers as per the FlexRay EPL v3.0 specification.

#### 3.16.4.1 TxEN

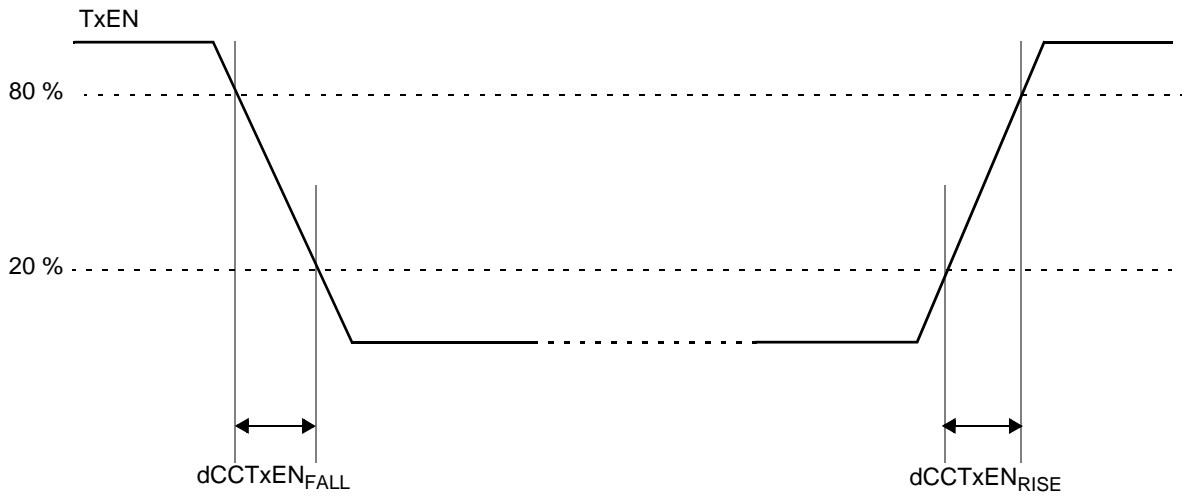


Figure 46. TxEN signal

Table 64. TxEN output characteristics<sup>1</sup>

Symbol		Characteristic	Value		Unit
			Min	Max	
dCCTxEN <sub>RISE25</sub>	CC	Rise time of TxEN signal at CC	—	9	ns
dCCTxEN <sub>FALL25</sub>	CC	Fall time of TxEN signal at CC	—	9	ns
dCCTxEN <sub>01</sub>	CC	Sum of delay between Clk to Q of the last FF and the final output buffer, rising edge	—	25	ns
dCCTxEN <sub>10</sub>	CC	Sum of delay between Clk to Q of the last FF and the final output buffer, falling edge	—	25	ns

<sup>1</sup> TxEN pin load maximum 25 pF

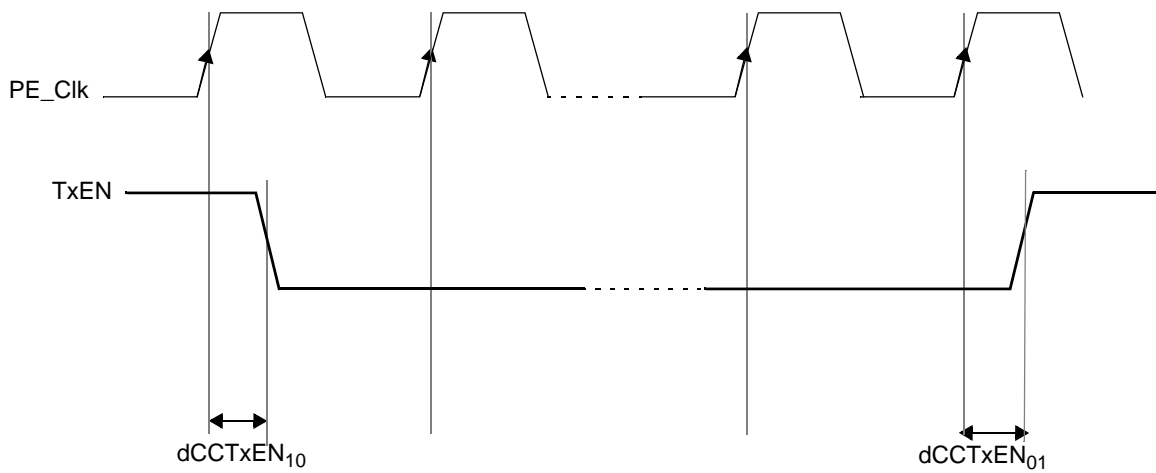


Figure 47. TxEN signal propagation delays

### 3.16.4.2 TxD

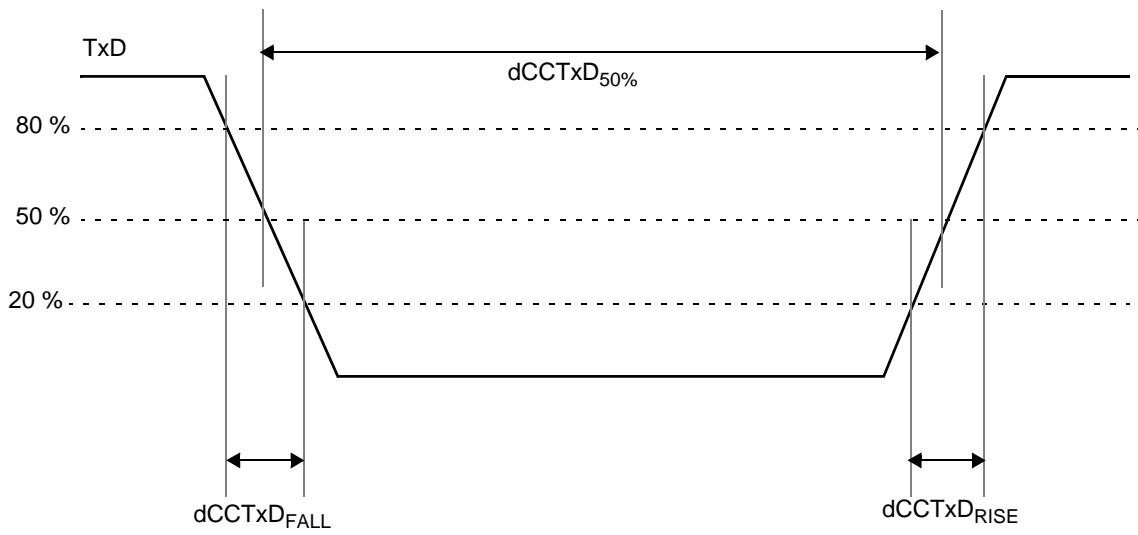


Figure 48. TxD signal

**Table 65. TxD output characteristics<sup>1,2</sup>**

Symbol	Characteristic	Value		Unit
		Min	Max	
dCCTxAsym	CC Asymmetry of sending CC at 25 pF load (= dCCTxD <sub>50%</sub> – 100 ns)	-2.45	2.45	ns
dCCTxD <sub>RISE25</sub> +dCCTxD <sub>FALL25</sub>	CC Sum of Rise and Fall time of TxD signal at the output pin <sup>3,4</sup>	—	g <sup>5</sup>	ns
		—	g <sup>6</sup>	
dCCTxD <sub>01</sub>	CC Sum of delay between Clk to Q of the last FF and the final output buffer, rising edge	—	25	ns
dCCTxD <sub>10</sub>	CC Sum of delay between Clk to Q of the last FF and the final output buffer, falling edge	—	25	ns

<sup>1</sup> TxD pin load maximum 25 pF

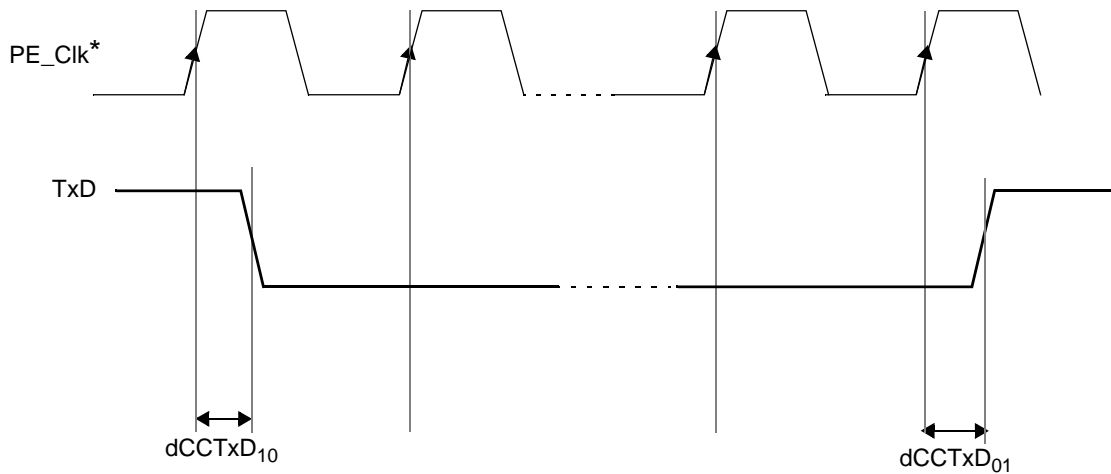
<sup>2</sup> Specifications valid according to FlexRay EPL 3.0.1 standard with 20%–80% levels and a 10pF load at the end of a 50 Ohm, 1 ns stripline. Please refer to the Very Strong I/O pad specifications.

<sup>3</sup> Pad configured as VERY STRONG

<sup>4</sup> Sum of transition time simulation is performed according to Electrical Physical Layer Specification 3.0.1 and the entire temperature range of the device has been taken into account.

<sup>5</sup> V<sub>DD\_HV\_IO</sub> = 5.0 V ± 10%, Transmission line Z = 50 ohms, t<sub>delay</sub> = 1 ns, C<sub>L</sub> = 10 pF

<sup>6</sup> V<sub>DD\_HV\_IO</sub> = 3.3 V ± 10%, Transmission line Z = 50 ohms, t<sub>delay</sub> = 0.6 ns, C<sub>L</sub> = 10 pF



\* FlexRay Protocol Engine Clock

**Figure 49. TxD Signal propagation delays**

### 3.16.4.3 RxD

Table 66. RxD input characteristics<sup>1</sup>

Symbol		Characteristic	Value		Unit
			Min	Max	
C_CCRxD	CC	Input capacitance on RxD pin	—	7	pF
uCCLogic_1	CC	Threshold for detecting logic high	35	70	%
uCCLogic_0	CC	Threshold for detecting logic low	30	65	%
dCCRxD <sub>01</sub>	CC	Sum of delay from actual input to the D input of the first FF, rising edge	—	10	ns
dCCRxD <sub>10</sub>	CC	Sum of delay from actual input to the D input of the first FF, falling edge	—	10	ns
dCCRxAsymAccept15	CC	Acceptance of asymmetry at receiving CC with 15 pF load	-31.5	44	ns
dCCRxAsymAccept25	CC	Acceptance of asymmetry at receiving CC with 25 pF load	-30.5	43	ns

<sup>1</sup> FlexRay RxD timing is valid for Automotive input levels with hysteresis enabled (hysteresis permanently enabled in Automotive input levels) and CMOS input levels with hysteresis disabled,  $4.5\text{ V} \leq V_{DD\_HV\_IO} \leq 5.5\text{ V}$  for both cases.

### 3.16.5 PSI5 timing

The following table describes the PSI5 timing.

Table 67. PSI5 timing

Symbol		Parameter	Value		Unit
			Min	Max	
t <sub>MSG_DLY</sub>	CC	Delay from last bit of frame (CRC0) to assertion of new message received interrupt	—	3	μs
t <sub>SYNC_DLY</sub>	CC	Delay from internal sync pulse to sync pulse trigger at the SDOUT_PSI5_n pin	—	2	μs
t <sub>MSG_JIT</sub>	CC	Delay jitter from last bit of frame (CRC0) to assertion of new message received interrupt	—	1	cycles <sup>1</sup>
t <sub>SYNC_JIT</sub>	CC	Delay jitter from internal sync pulse to sync pulse trigger at the SDOUT_PSI5_n pin	—	±(1 PSI5_1μs_CLK + 1 PBRIDGE_n_CLK)	cycles

<sup>1</sup> Measured in PSI5 clock cycles (PBRIDGE\_n\_CLK on the device). Minimum PSI5 clock period is 20 ns.

### 3.16.6 UART timing

UART channel frequency support is shown in the following table.

Table 68. UART frequency support

LINFlexD clock frequency LIN_CLK (MHz)	Oversampling rate	Voting scheme	Max usable frequency (Mbaud)
80	16	3:1 majority voting	5
	8		10
	6	Limited voting on one sample with configurable sampling point	13.33
	5		16
	4		20
100	16	3:1 majority voting	6.25
	8		12.5
	6	Limited voting on one sample with configurable sampling point	16.67
	5		20
	4		25

### 3.16.7 External Bus Interface (EBI) Timing

Table 69. Bus Operation Timing<sup>1</sup>

Spec	Characteristic	Symbol	66.7 MHz (Ext. Bus Freq) <sup>2 3</sup>		Unit
			Min	Max	
1	CLKOUT Period <sup>4</sup>	$t_C$	15.15	—	ns
2	CLKOUT Duty Cycle	$t_{CDC}$	45%	55%	$t_C$
3	CLKOUT Rise Time	$t_{CRT}$	—	— <sup>5</sup>	ns
4	CLKOUT Fall Time	$t_{CFT}$	—	— <sup>5</sup>	ns
5	CLKOUT Posedge to Output Signal Invalid or High Z (Hold Time) <sup>6</sup>  ADDR[12:31] ADDR[8:11]/WE[0:3]/BE[0:3] BDIP CS[0:3] DATA[0:31] OE RD_WR TS	$t_{COH}$	1.0	—	ns
6	CLKOUT Posedge to Output Signal Valid (Output Delay) <sup>7,8</sup>  ADDR[12:31] ADDR[8:11]/WE[0:3]/BE[0:3] BDIP CS[0:3] DATA[0:31] OE RD_WR TS	$t_{COV}$	—	8.0	ns

Table 69. Bus Operation Timing<sup>1</sup> (continued)

Spec	Characteristic	Symbol	66.7 MHz (Ext. Bus Freq) <sup>2 3</sup>		Unit
			Min	Max	
7	Input Signal Valid to CLKOUT Posedge (Setup Time) DATA[0:31]	$t_{CIS}$	7.0	—	ns
8	CLKOUT Posedge to Input Signal Invalid (Hold Time) DATA[0:31]	$t_{CIH}$	1.0	—	ns

<sup>1</sup> EBI timing specified at  $V_{DD\_HV\_IO\_EBI}$  and  $V_{DD\_HV\_IO\_FLEXE} = 3.0\text{ V to }3.6\text{ V}$ ,  $T_A = T_L$  to  $T_H$ , and  $C_L = 30\text{ pF}$  with  $DSC = 0b10$  for ADDR/CTRL and  $DSC = 0b11$  for CLKOUT/DATA.

<sup>2</sup> Speed is the nominal maximum frequency. Max speed is the maximum speed allowed including PLL jitter.

<sup>3</sup> Depending on the internal bus speed, set the CGM\_SC\_DC4 register bits correctly not to exceed maximum external bus frequency. The maximum external bus frequency is 66.7 MHz.

<sup>4</sup> Signals are measured at 50%  $V_{DD\_HV\_IO\_EBI}$  or  $V_{DD\_HV\_IO\_FLEXE}$ .

<sup>5</sup> Refer to Fast pad timing in Table 18.

<sup>6</sup> CLKOUT may be required at the highest drive strength in order to meet the hold time specification.

<sup>7</sup> One wait state must be added for all write accesses to external memories at the maximum external bus frequency.

<sup>8</sup> One wait state must be added to the output signal valid delay for external writes.

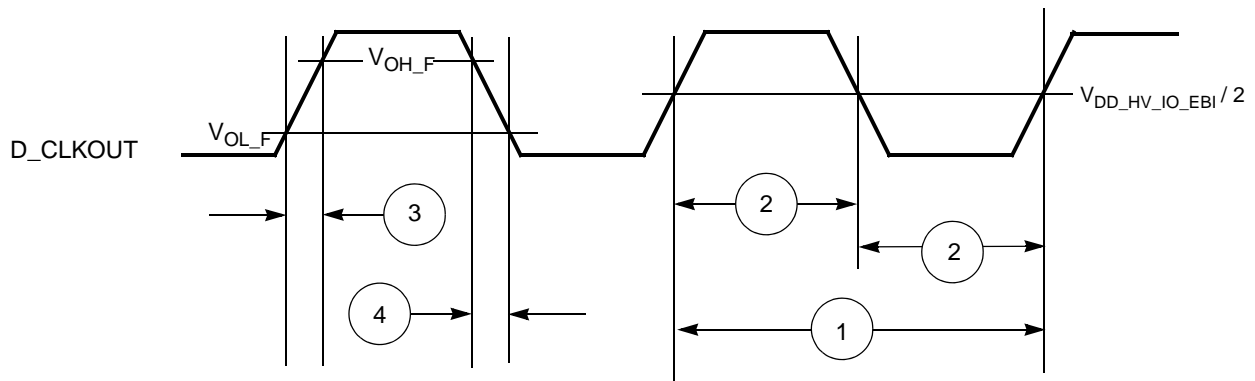


Figure 50. D\_CLKOUT Timing

Electrical characteristics

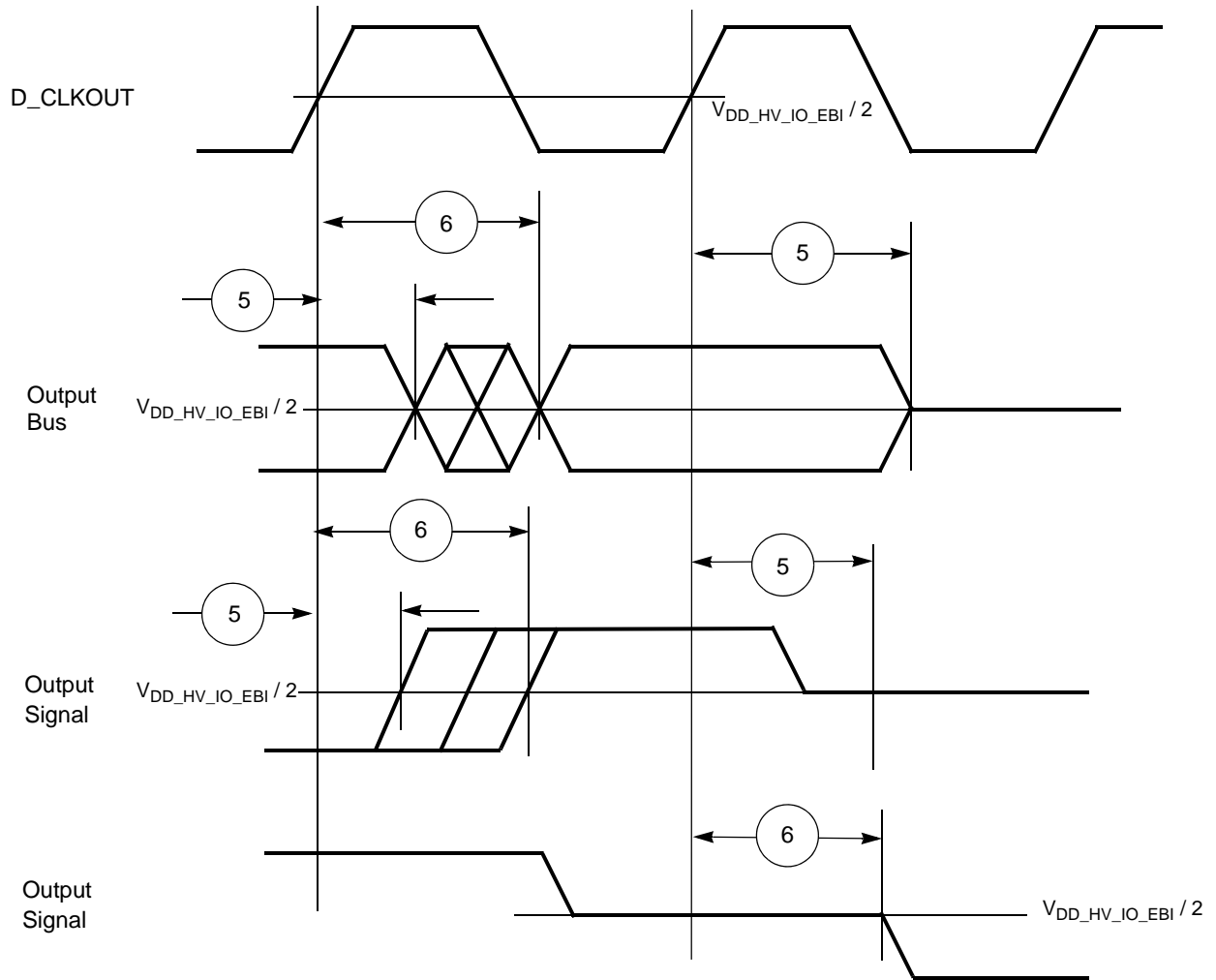


Figure 51. Synchronous Output Timing



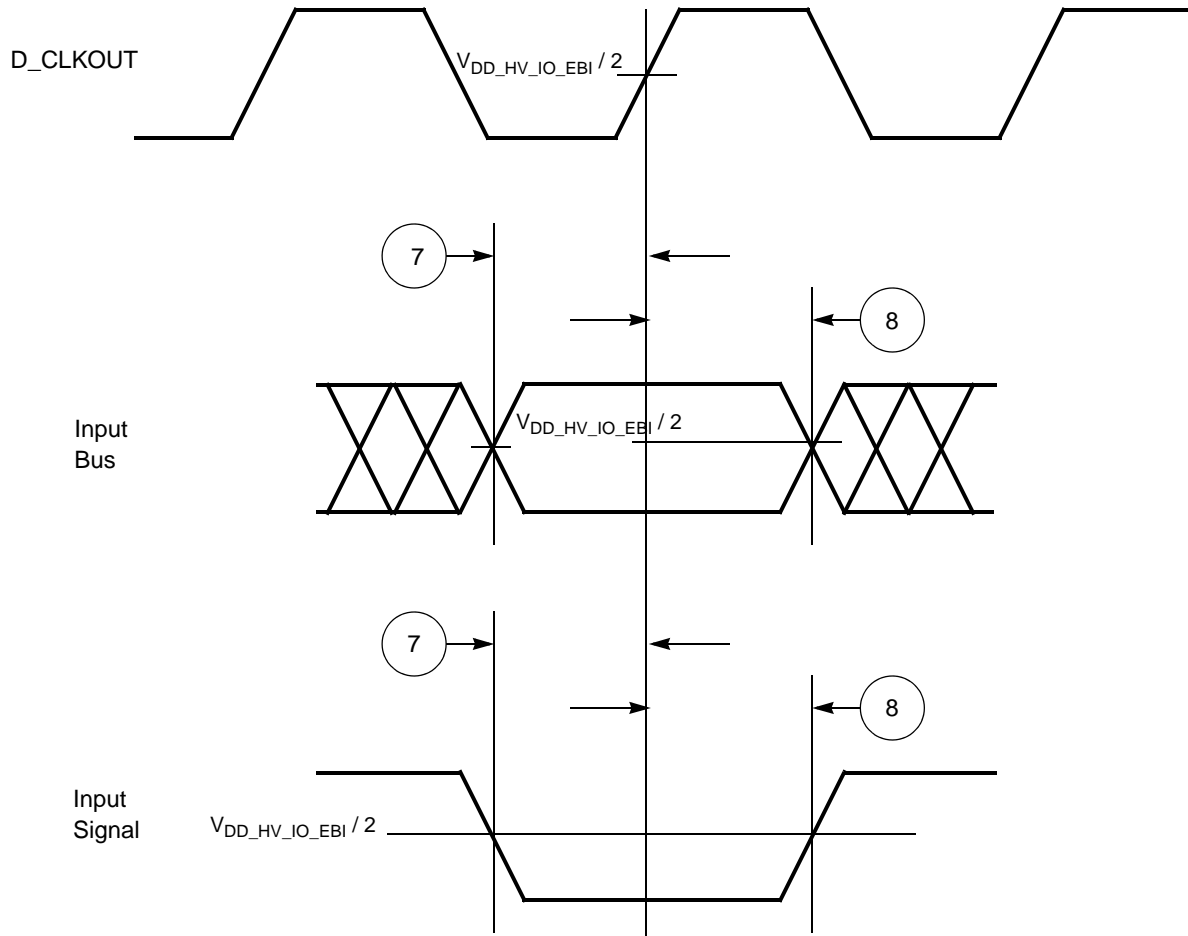


Figure 52. Synchronous Input Timing

### 3.16.8 I<sup>2</sup>C timing

The I<sup>2</sup>C AC timing specifications are provided in the following tables.

Table 70. I<sup>2</sup>C input timing specifications — SCL and SDA<sup>1</sup>

No.	Symbol	Parameter	Value		Unit
			Min	Max	
1	—	CC Start condition hold time	2	—	PER_CLK Cycle <sup>2</sup>
2	—	CC Clock low time	8	—	PER_CLK Cycle
3	—	CC Bus free time between Start and Stop condition	4.7	—	μs
4	—	CC Data hold time	0.0	—	ns

Table 70. I<sup>2</sup>C input timing specifications — SCL and SDA<sup>1</sup> (continued)

No.	Symbol		Parameter	Value		Unit
				Min	Max	
5	—	CC	Clock high time	4	—	PER_CLK Cycle
6	—	CC	Data setup time	0.0	—	ns
7	—	CC	Start condition setup time (for repeated start condition only)	2	—	PER_CLK Cycle
8	—	CC	Stop condition setup time	2	—	PER_CLK Cycle

<sup>1</sup> I<sup>2</sup>C input timing is valid for Automotive and TTL inputs levels, hysteresis enabled, and an input edge rate no slower than 1 ns (10% – 90%).

<sup>2</sup> PER\_CLK is the SoC peripheral clock, which drives the I<sup>2</sup>C BIU and module clock inputs. See the Clocking chapter in the device reference manual for more detail.

Table 71. I<sup>2</sup>C output timing specifications — SCL and SDA<sup>1,2,3,4</sup>

No.	Symbol		Parameter	Value		Unit
				Min	Max	
1	—	CC	Start condition hold time	6	—	PER_CLK Cycle <sup>5</sup>
2	—	CC	Clock low time	10	—	PER_CLK Cycle
3	—	CC	Bus free time between Start and Stop condition	4.7	—	μs
4	—	CC	Data hold time	7	—	PER_CLK Cycle
5	—	CC	Clock high time	10	—	PER_CLK Cycle
6	—	CC	Data setup time	2	—	PER_CLK Cycle
7	—	CC	Start condition setup time (for repeated start condition only)	20	—	PER_CLK Cycle
8	—	CC	Stop condition setup time	10	—	PER_CLK Cycle

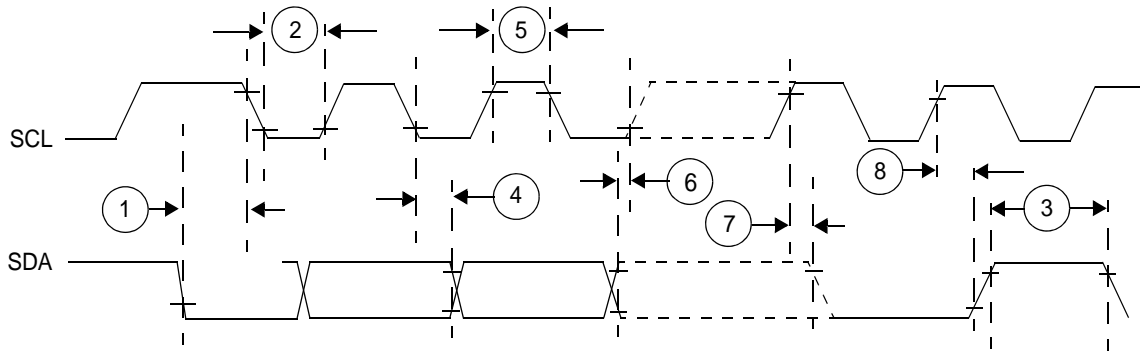
<sup>1</sup> All output timing is worst case and includes the mismatching of rise and fall times of the output pads.

<sup>2</sup> Output parameters are valid for C<sub>L</sub> = 25 pF, where C<sub>L</sub> is the external load to the device (lumped). The internal package capacitance is accounted for, and does not need to be subtracted from the 25 pF value.

<sup>3</sup> Timing is guaranteed to same drive capabilities for all signals, mixing of pad drives may reduce operating speeds and may cause incorrect operation.

<sup>4</sup> Programming the IBFD register (I<sup>2</sup>C bus Frequency Divider) with the maximum frequency results in the minimum output timings listed. The I<sup>2</sup>C interface is designed to scale the data transition time, moving it to the middle of the SCL low period. The actual position is affected by the pre-scale and division values programmed in the IBC field of the IBFD register.

<sup>5</sup> PER\_CLK is the SoC peripheral clock, which drives the I<sup>2</sup>C BIU and module clock inputs. See the Clocking chapter in the device reference manual for more detail.

Figure 53. I<sup>2</sup>C input/output timing

### 3.16.9 GPIO delay timing

The GPIO delay timing specification is provided in the following table.

Table 72. GPIO delay timing

Symbol		Parameter	Value		Unit
			Min	Max	
IO_delay	CC	Delay from SIUL2 MSCR register bit update to pad function enable at the input of the I/O pad	5	25	ns

### 3.16.10 Package characteristics

The following table lists the case numbers for each available package for the device.

Table 73. Package case numbers

Package Type	Device Type	Case Outline Number
416TEPBGA	Production	98ARE10523D
416TEPBGA	Emulation	98ASA00493D
512TEPBGA	Production or Emulation	98ASA00262D

### 3.17 416 TEPBGA (production) case drawing

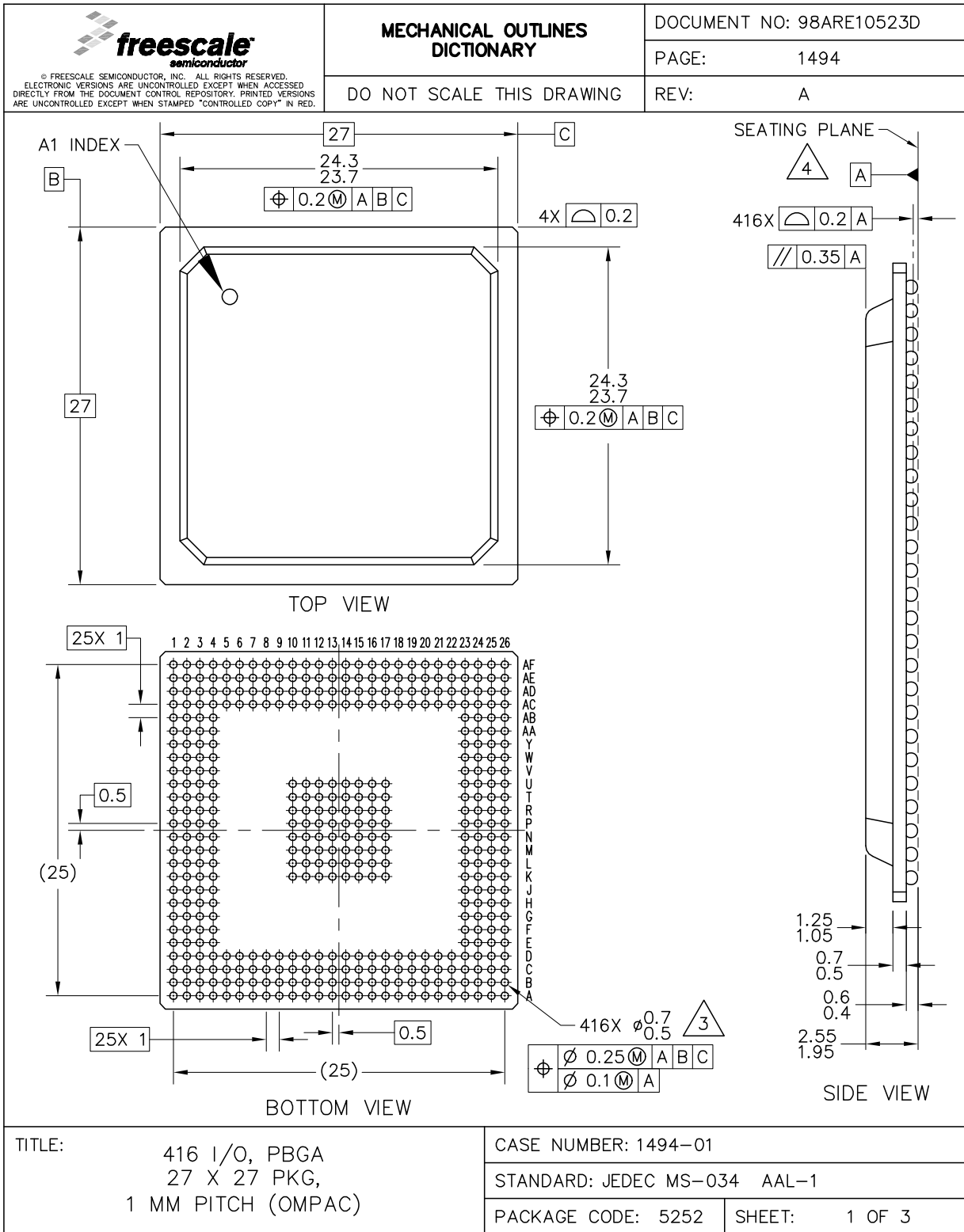



Figure 54. 416 TEPBGA (production) package mechanical drawing (Sheet 1 of 2)

 <p>© FREESCALE SEMICONDUCTOR, INC. ALL RIGHTS RESERVED. ELECTRONIC VERSIONS ARE UNCONTROLLED EXCEPT WHEN ACCESSED DIRECTLY FROM THE DOCUMENT CONTROL REPOSITORY. PRINTED VERSIONS ARE UNCONTROLLED EXCEPT WHEN STAMPED "CONTROLLED COPY" IN RED.</p>	<b>MECHANICAL OUTLINES DICTIONARY</b>		DOCUMENT NO: 98ARE10523D	
	DO NOT SCALE THIS DRAWING		PAGE:	1494
			REV:	A
<p>NOTES:</p> <ol style="list-style-type: none"> <li>1. ALL DIMENSIONS IN MILLIMETERS.</li> <li>2. DIMENSIONING AND TOLERANCING PER ASME Y14.5M-1994.</li> <li>3. MAXIMUM SOLDER BALL DIAMETER MEASURED PARALLEL TO DATUM A.</li> <li>4. DATUM A, THE SEATING PLANE, IS DETERMINED BY THE SPHERICAL CROWNS OF THE SOLDER BALLS.</li> </ol>				
TITLE:		416 I/O, PBGA 27 X 27 PKG, 1 MM PITCH (OMPAC)		CASE NUMBER: 1494-01
				STANDARD: JEDEC MS-034 AAL-1
		PACKAGE CODE: 5252	SHEET: 2 OF 3	

**Figure 55. 416 TEPBGA (production) package mechanical drawing (Sheet 2 of 2)**

### 3.18 416 TEPBGA (emulation) case drawing

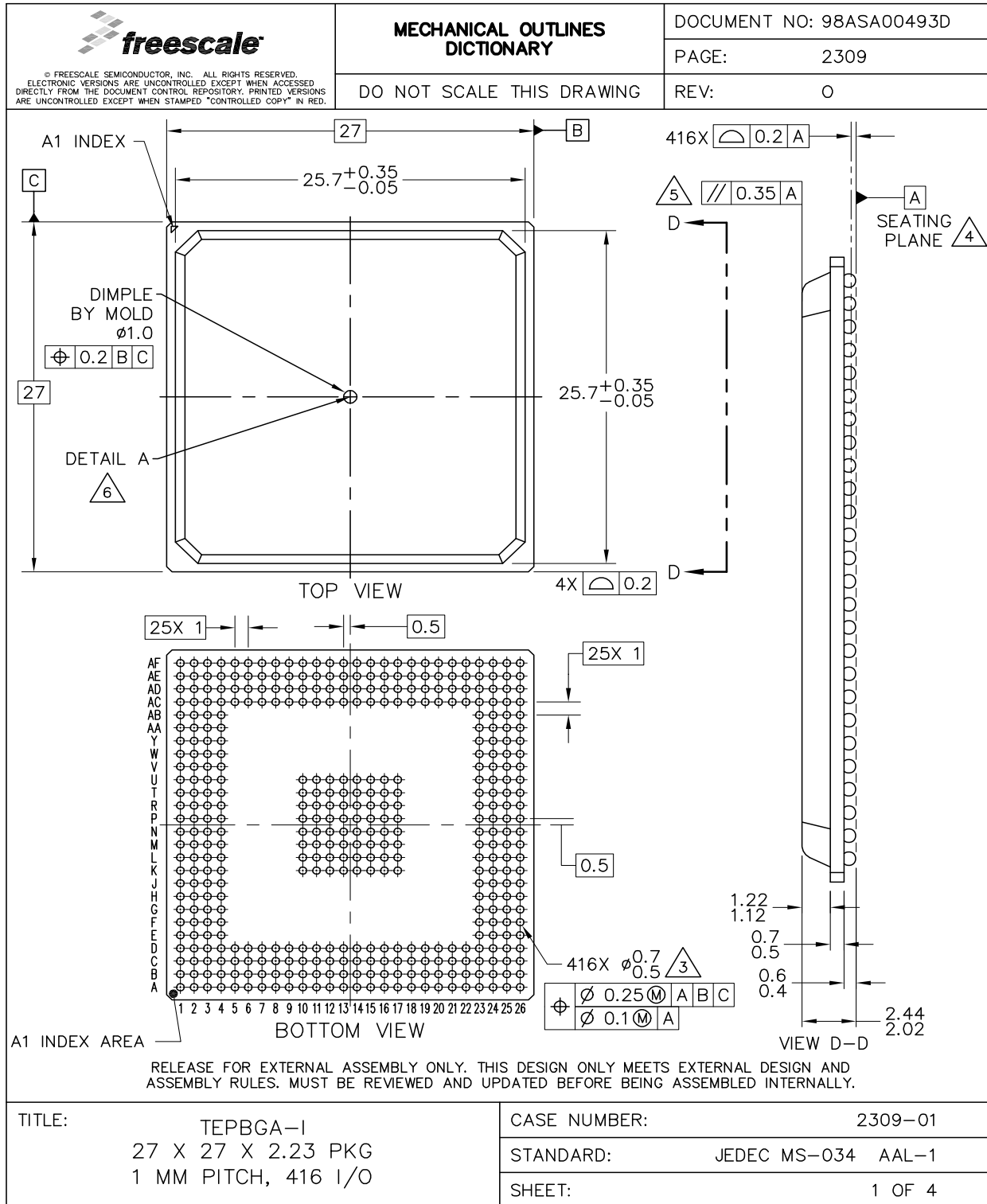
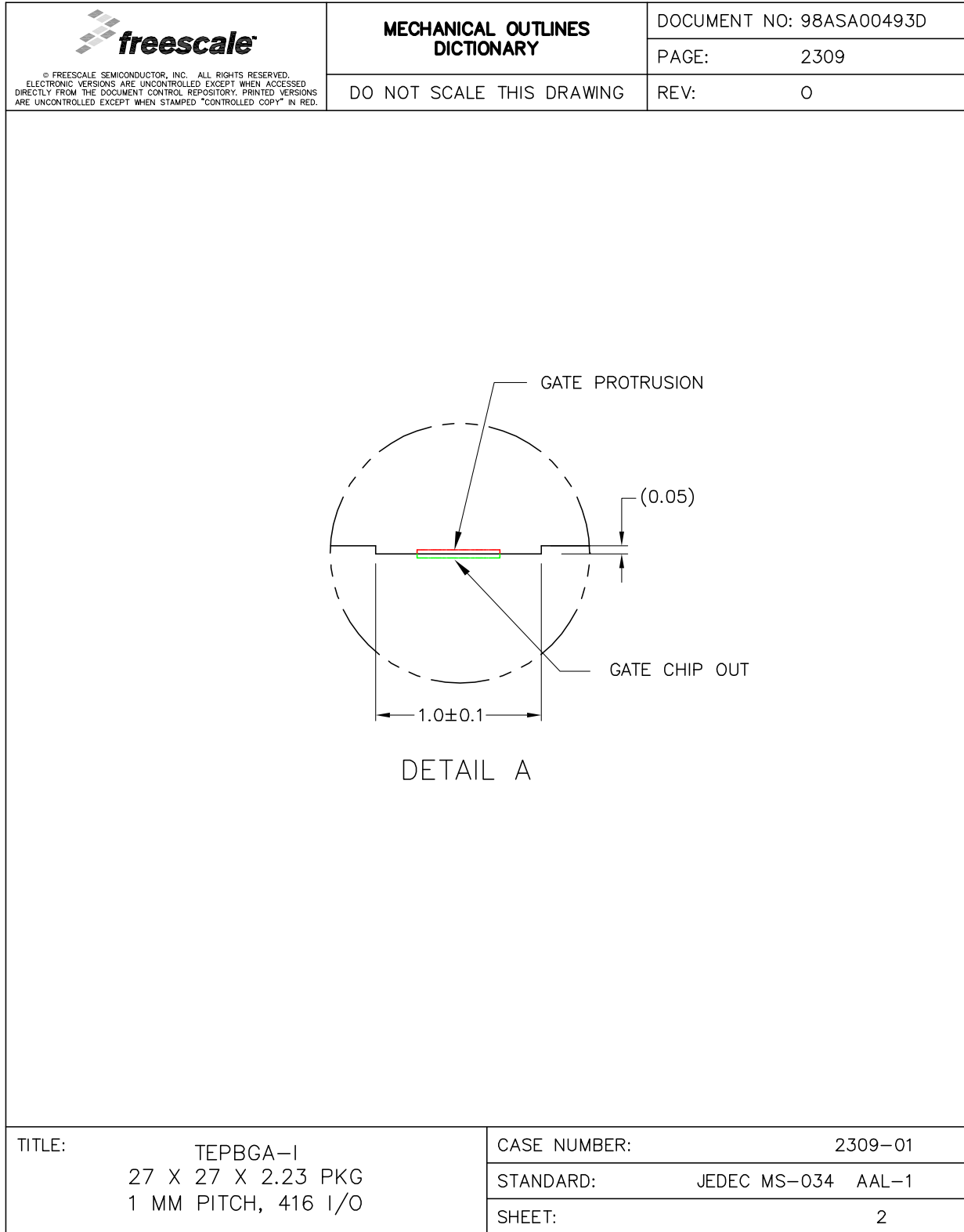


Figure 56. 416 TEPBGA (emulation) package mechanical drawing (Sheet 1 of 3)



**Figure 57. 416 TEPBGA (emulation) package mechanical drawing (Sheet 2 of 3)**


 <small>© FREESCALE SEMICONDUCTOR, INC. ALL RIGHTS RESERVED.          ELECTRONIC VERSIONS ARE UNCONTROLLED EXCEPT WHEN ACCESSED          DIRECTLY FROM THE DOCUMENT CONTROL REPOSITORY. PRINTED VERSIONS          ARE UNCONTROLLED EXCEPT WHEN STAMPED "CONTROLLED COPY" IN RED.</small>	<b>MECHANICAL OUTLINES DICTIONARY</b>	DOCUMENT NO: 98ASA00493D
	DO NOT SCALE THIS DRAWING	PAGE: 2309 REV: 0
<p>NOTES:</p> <ol style="list-style-type: none"> <li>1. ALL DIMENSIONS IN MILLIMETERS.</li> <li>2. DIMENSIONING AND TOLERANCING PER ASME Y14.5M-1994.</li> <li>3. MAXIMUM SOLDER BALL DIAMETER MEASURED PARALLEL TO DATUM A.</li> <li>4. DATUM A, THE SEATING PLANE, IS DETERMINED BY THE SPHERICAL CROWNS OF THE SOLDER BALLS.</li> <li>5. PARALLELISM MEASUREMENT SHALL EXCLUDE ANY EFFECT OF MARK ON TOP SURFACE OF PACKAGE.</li> <li>6. GATE PROTRUSION HEIGHT OR CHIP OUT DEPTH: MAXIMUM 0.049MM.</li> </ol>		
TITLE:	TEPBGA-I 27 X 27 X 2.23 PKG 1 MM PITCH, 416 I/O	CASE NUMBER: 2309-01 STANDARD: JEDEC MS-034 AAL-1 SHEET: 3

Figure 58. 416 TEPBGA (emulation) package mechanical drawing (Sheet 3 of 3)



### 3.19 512 TEPBGA case drawing

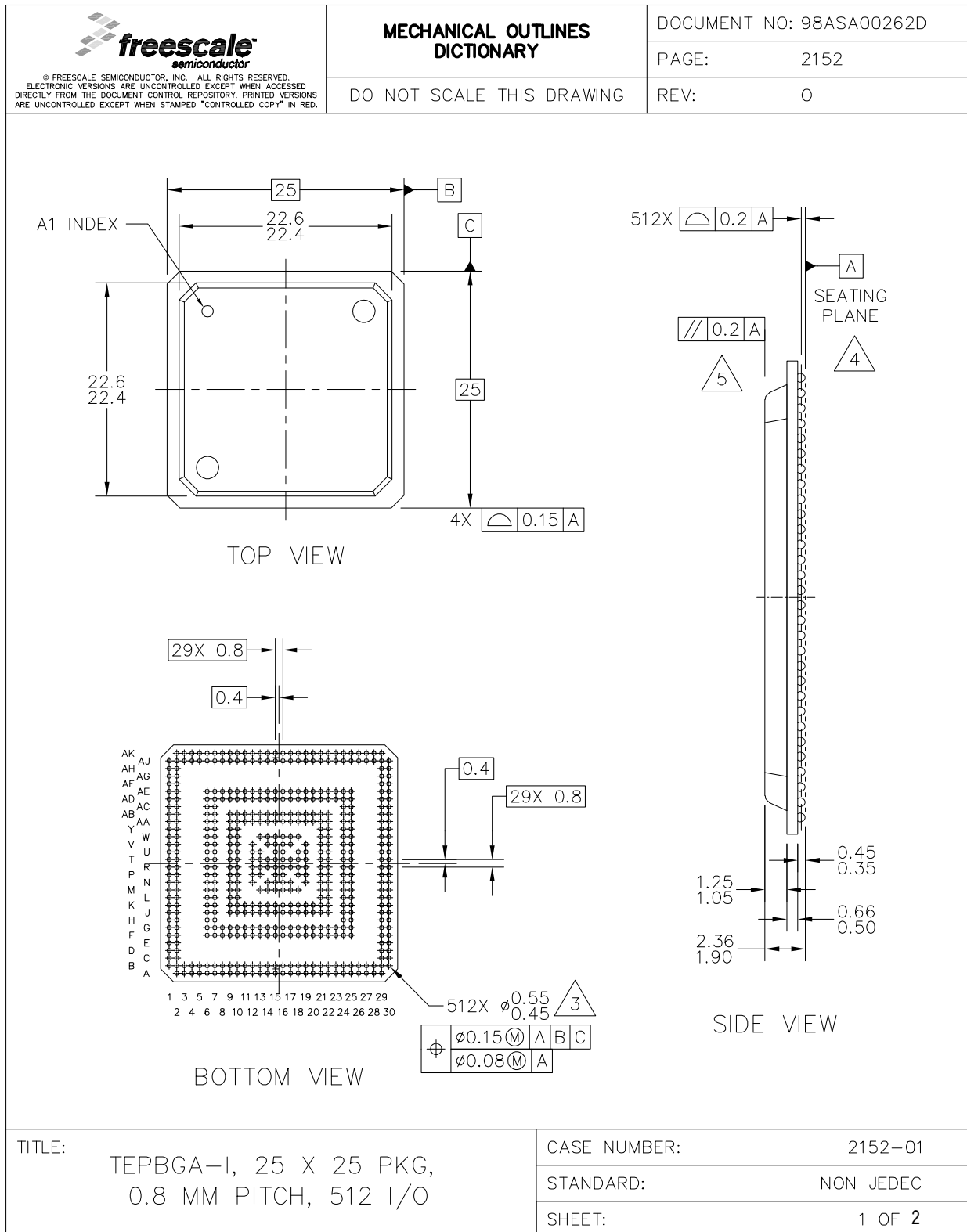



Figure 59. 512 TEPBGA package mechanical drawing (Sheet 1 of 2)

**Electrical characteristics**

 <p>© FREESCALE SEMICONDUCTOR, INC. ALL RIGHTS RESERVED. ELECTRONIC VERSIONS ARE UNCONTROLLED EXCEPT WHEN ACCESSED DIRECTLY FROM THE DOCUMENT CONTROL REPOSITORY. PRINTED VERSIONS ARE UNCONTROLLED EXCEPT WHEN STAMPED "CONTROLLED COPY" IN RED.</p>	<b>MECHANICAL OUTLINES DICTIONARY</b>		DOCUMENT NO: 98ASA00262D
			PAGE: 2152
	DO NOT SCALE THIS DRAWING		REV: 0
<p>NOTES:</p> <ol style="list-style-type: none"> <li>1. ALL DIMENSIONS IN MILLIMETERS.</li> <li>2. DIMENSIONING AND TOLERANCING PER ASME Y14.5M-1994.</li> <li>3. MAXIMUM SOLDER BALL DIAMETER MEASURED PARALLEL TO DATUM A.</li> <li>4. DATUM A, THE SEATING PLANE, IS DETERMINED BY THE SPHERICAL CROWNS OF THE SOLDER BALLS.</li> <li>5. PARALLELISM MEASUREMENT SHALL EXCLUDE ANY EFFECT OF MARK ON TOP SURFACE OF PACKAGE.</li> </ol>			
TITLE: TEPBGA-1, 25 X 25 PKG, 0.8 MM PITCH, 512 I/O		CASE NUMBER: 2152-01	
		STANDARD: NON JEDEC	
		SHEET: 2	

**Figure 60. 512 TEPBGA package mechanical drawing (Sheet 2 of 2)**

## 3.20 Thermal characteristics

The following tables describe the thermal characteristics of the device.

**Table 74. Thermal characteristics**

Symbol	Parameter	Conditions	416 Value	512 Value	Unit	Notes
$R_{\theta JA}$	Junction-to-Ambient, Natural Convection	Single Layer board (1s)	25	24.1	°C/W	1,2
		Four layer board (2s2p)	17.2	16.8		1,2,3
$R_{\theta JMA}$	Junction-to-Moving-Air, Ambient	@200 ft/min., single layer board (1s)	18.1	16.6	°C/W	1,3
		@200 ft/min., four layer board (2s2p)	13.4	12.4		1,3
$R_{\theta JB}$	Junction-to-board	—	8.6	8.8	°C/W	4
$R_{\theta JC}$	Junction-to-case	—	5.0	5.0	°C/W	5
$\Psi_{JT}$	Junction-to-package top	Natural convection	0.2	0.2	°C/W	6
$\Psi_{JB}$	Junction-to-package bottom/solder balls	Natural convection	3.5	3.0	°C/W	7

<sup>1</sup> Junction temperature is a function of die size, on-chip power dissipation, package thermal resistance, mounting site (board) temperature, ambient temperature, air flow, power dissipation of other components on the board, and board thermal resistance.

<sup>2</sup> Per SEMI G38-87 and JEDEC JESD51-2 with the single layer board horizontal.

<sup>3</sup> Per JEDEC JESD51-6 with the board horizontal.

<sup>4</sup> Thermal resistance between the die and the printed circuit board per JEDEC JESD51-8. Board temperature is measured on the top surface of the board near the package.

<sup>5</sup> Thermal resistance between the die and the case top surface as measured by the cold plate method (MIL SPEC-883 Method 1012.1).

<sup>6</sup> Thermal characterization parameter indicating the temperature difference between package top and the junction temperature per JEDEC JESD51-2.

<sup>7</sup> Thermal characterization parameter indicating the temperature difference between package bottom center and the junction temperature per JEDEC JESD51-12.

### 3.20.1 General notes for specifications at maximum junction temperature

An estimation of the chip junction temperature,  $T_J$ , can be obtained from the equation:

$$T_J = T_A + (R_{\theta JA} * P_D) \quad \text{Eqn. 1}$$

where:

$T_A$  = ambient temperature for the package (°C)

$R_{\theta JA}$  = junction-to-ambient thermal resistance (°C/W)

$P_D$  = power dissipation in the package (W)

The thermal resistance values used are based on the JEDEC JESD51 series of standards to provide consistent values for estimations and comparisons. The difference between the values determined for the single-layer (1s) board compared to a four-layer board that has two signal layers, a power and a ground plane (2s2p), demonstrate that the effective thermal resistance is not a constant. The thermal resistance depends on the:

## Electrical characteristics

- Construction of the application board (number of planes)
- Effective size of the board which cools the component
- Quality of the thermal and electrical connections to the planes
- Power dissipated by adjacent components

Connect all the ground and power balls to the respective planes with one via per ball. Using fewer vias to connect the package to the planes reduces the thermal performance. Thinner planes also reduce the thermal performance. When the clearance between the vias leave the planes virtually disconnected, the thermal performance is also greatly reduced.

As a general rule, the value obtained on a single-layer board is within the normal range for the tightly packed printed circuit board. The value obtained on a board with the internal planes is usually within the normal range if the application board has:

- One oz. (35 micron nominal thickness) internal planes
- Components are well separated
- Overall power dissipation on the board is less than 0.02 W/cm<sup>2</sup>

The thermal performance of any component depends on the power dissipation of the surrounding components. In addition, the ambient temperature varies widely within the application. For many natural convection and especially closed box applications, the board temperature at the perimeter (edge) of the package is approximately the same as the local air temperature near the device. Specifying the local ambient conditions explicitly as the board temperature provides a more precise description of the local ambient conditions that determine the temperature of the device.

At a known board temperature, the junction temperature is estimated using the following equation:

$$T_J = T_B + (R_{\theta JB} * P_D) \quad \text{Eqn. 2}$$

where:

- $T_B$  = board temperature for the package perimeter (°C)
- $R_{\theta JB}$  = junction-to-board thermal resistance (°C/W) per JESD51-8
- $P_D$  = power dissipation in the package (W)

When the heat loss from the package case to the air does not factor into the calculation, the junction temperature is predictable if the application board is similar to the thermal test condition, with the component soldered to a board with internal planes.

The thermal resistance is expressed as the sum of a junction-to-case thermal resistance plus a case-to-ambient thermal resistance:

$$R_{\theta JA} = R_{\theta JC} + R_{\theta CA} \quad \text{Eqn. 3}$$

where:

- $R_{\theta JA}$  = junction-to-ambient thermal resistance (°C/W)
- $R_{\theta JC}$  = junction-to-case thermal resistance (°C/W)
- $R_{\theta CA}$  = case to ambient thermal resistance (°C/W)

$R_{\theta JC}$  is device related and is not affected by other factors. The thermal environment can be controlled to change the case-to-ambient thermal resistance,  $R_{\theta CA}$ . For example, change the air flow around the device, add a heat sink, change the mounting arrangement on the printed circuit board, or change the thermal dissipation on the printed circuit board surrounding the device. This description is most useful for packages with heat sinks where 90% of the heat flow is through the case to heat sink to ambient. For most packages, a better model is required.

A more accurate two-resistor thermal model can be constructed from the junction-to-board thermal resistance and the junction-to-case thermal resistance. The junction-to-case thermal resistance describes when using a heat sink or where a substantial amount of heat is dissipated from the top of the package. The junction-to-board thermal resistance describes the thermal performance when most of the heat is conducted to the printed circuit board. This model can be used to generate simple estimations and for computational fluid dynamics (CFD) thermal models. More accurate compact Flotherm models can be generated upon request.

To determine the junction temperature of the device in the application on a prototype board, use the thermal characterization parameter ( $\Psi_{JT}$ ) to determine the junction temperature by measuring the temperature at the top center of the package case using the following equation:

$$T_J = T_T + (\Psi_{JT} \times P_D) \quad \text{Eqn. 4}$$

where:

$T_T$  = thermocouple temperature on top of the package ( $^{\circ}\text{C}$ )

$\Psi_{JT}$  = thermal characterization parameter ( $^{\circ}\text{C}/\text{W}$ )

$P_D$  = power dissipation in the package (W)

The thermal characterization parameter is measured in compliance with the JESD51-2 specification using a 40-gauge type T thermocouple epoxied to the top center of the package case. Position the thermocouple so that the thermocouple junction rests on the package. Place a small amount of epoxy on the thermocouple junction and approximately 1 mm of wire extending from the junction. Place the thermocouple wire flat against the package case to avoid measurement errors caused by the cooling effects of the thermocouple wire.

When board temperature is perfectly defined below the device, it is possible to use the thermal characterization parameter ( $\Psi_{JPB}$ ) to determine the junction temperature by measuring the temperature at the bottom center of the package case (exposed pad) using the following equation:

$$T_J = T_B + (\Psi_{JPB} \times P_D) \quad \text{Eqn. 5}$$

where:

$T_T$  = thermocouple temperature on bottom of the package ( $^{\circ}\text{C}$ )

$\Psi_{JT}$  = thermal characterization parameter ( $^{\circ}\text{C}/\text{W}$ )

$P_D$  = power dissipation in the package (W)

## 4 Ordering information

Table 75 shows the orderable part numbers for the MPC5777M series.

**Table 75. Orderable part number summary**

Part Number	Device Type <sup>1,2</sup>	Package
PPC5777MK0MVU8B	Sample	416 TEPBGA
PPC5777MK0MVA8B	Sample	512 TEPBGA
PPC5777M2K0MVU8B	Sample ED	416 TEPBGA
PPC5777M2K0MVA8B	Sample ED	512 TEPBGA
SPC5777MK0MVU8	Production PD	416 TEPBGA
SPC5777MK0MVU8R	Production PD	416 TEPBGA w/Tape and Reel
SPC5777MK0MVA8	Production PD	512 TEPBGA
SPC5777MK0MVA8R	Production PD	512 TEPBGA w/Tape and Reel

<sup>1</sup> "PD" refers to a production device, orderable in quantity

---

## Ordering information

- <sup>2</sup> "ED" refers to an emulation device, orderable in limited quantities. An emulation device (ED) is for use during system development only and is not to be used in production. An ED is a Production PD chip combined with a companion chip to form an Emulation and Debug Device (ED) and includes additional RAM memory and debug features. EDs are provided "as is" without warranty of any kind. In the event of a suspected ED failure, NXP agrees to exchange the suspected failing ED from the customer at no additional charge; however, NXP will not analyze ED returns.

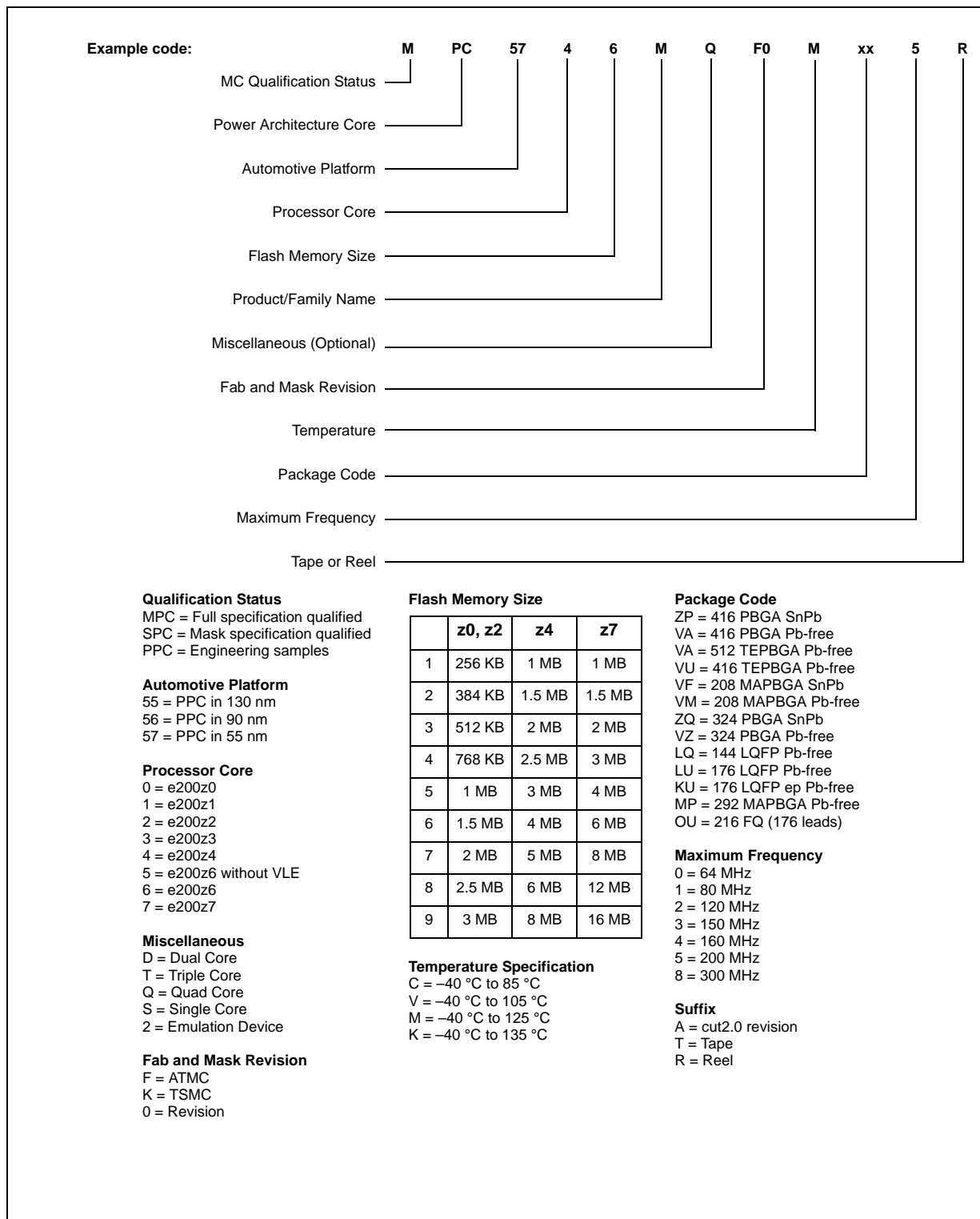


Figure 61. Product code structure

## 5 Document revision history

Table 76 summarizes revisions to this document.

**Table 76. Revision history**

Revision	Date	Description of changes
1	12/2011	Initial release
2	4/2013	<p style="text-align: center;"><b>Throughout</b></p> <ul style="list-style-type: none"> <li>Data sheet now includes both KGD (<math>T_J \leq 165^\circ\text{C}</math>) and non-KGD (<math>T_J \leq 150^\circ\text{C}</math>) specifications</li> <li>The interfaces and components formerly including the name “DigRF” have been renamed to “LFAST.”</li> </ul> <p style="text-align: center;"><b>Introduction</b></p> <ul style="list-style-type: none"> <li>Changed on-chip general-purpose SRAM to 404 KB (was 384 KB)</li> <li>Changed item describing Boot Assist Flash support to “Boot Assist Module (BAM) supports factory programming using serial bootload through ‘UART Serial Boot Mode Protocol’. Physical interface (PHY) can be: UART/LIN, CAN, FlexRay”</li> </ul> <p><a href="#">Table 1 (Family comparison):</a></p> <ul style="list-style-type: none"> <li>Changed feature from “Zipwire/LFAST<sup>7</sup> bus” to “Zipwire (SIPI / LFAST<sup>7</sup>) Interprocessor Communication Interface”</li> </ul> <p><a href="#">Figure 1 (Block diagram):</a></p> <ul style="list-style-type: none"> <li>Changed SRAM from 320 to 340 KB</li> <li>Changed figure to include “Triple INTC”</li> <li>Added “LFAST Switch” block to Computational Shell</li> <li>Added “Debug SIPI” block to the Peripheral Domain 50 MHz Concentrator</li> </ul> <p><a href="#">Figure 2 (Periphery allocation):</a></p> <ul style="list-style-type: none"> <li>Added PSI5_S_0 module</li> <li>Changed “Peripheral Cluster A” to “Peripheral Cluster B” and “Peripheral Cluster B” to “Peripheral Cluster A”</li> <li>Added PSI5_S_0 module</li> </ul> <p style="text-align: center;"><b>Package pinouts and signal descriptions</b></p> <p><a href="#">Figure 3 (292-ball BGA production device pinout (top view))</a>  <a href="#">Figure 4 (292-ball BGA emulation device pinout (top view))</a>  <a href="#">Figure 5 (512-ball BGA production device pinout (top view))</a>  <a href="#">Figure 8 (512-ball BGA emulation device pinout (top view)):</a></p> <ul style="list-style-type: none"> <li>Changed “VDD_HV_PMC_BYP” to “VDD_HV_IO_MAIN”</li> </ul> <p><a href="#">Table 2 (Power supply and reference pins):</a></p> <ul style="list-style-type: none"> <li>Removed V<sub>DD_HV_PMC_BYP</sub> (PMC Voltage Supply Bypass Capacitor) row.</li> </ul> <p><a href="#">Table 3 (System pins):</a></p> <ul style="list-style-type: none"> <li>Clarification of TESTMODE pin definition: “TESTMODE pull-down is implemented to prevent the device from entering TESTMODE. It is recommended to connect the TESTMODE pin to VSS_HV_IO on the board. The value of the TESTMODE pin is latched at the negation of reset and has no affect afterward. The device will not exit reset with the TESTMODE pin asserted during power-up.” (Added detail regarding when TESTMODE pin value is latched and that device will not exit reset when pin is asserted during power-up)</li> </ul>



Table 76. Revision history (continued)

Revision	Date	Description of changes
2	4/2013	<b>Package pinouts and signal descriptions (con't)</b>
		<p><a href="#">Table 4 (LVDS pin descriptions):</a></p> <ul style="list-style-type: none"> <li>In SIPI/LFAST, Differential DSPI2, and Differential DSPI 5 groups, changed port pin “PF[7]” to “PD[7]”</li> <li>Changed the polarity of the signal assigned to several port pins. For example, the signal for port pin PD[7] has been changed to “SIPI_RXP” (was SIPI_RXN) and “Interprocessor Bus LFAST, LVDS Receive Positive Terminal” (was “Interprocessor Bus LFAST, LVDS Receive Negative Terminal”). This change affects port pins PD[7], PF[13], PA[14], PD[6], PA[7], PA[8], PD[2], PD[3], PD[0], PD[1], PF[10], PF[9], PF[11], PF[12], PQ[8], PQ[9], PQ[10], PQ[11], PI[14], and PI[15].</li> <li>Added package ball locations</li> </ul>
		<b>Electrical characteristics—Miscellaneous</b>
		<p><a href="#">Section 3, Electrical characteristics:</a></p> <ul style="list-style-type: none"> <li>Thermal characteristics section has been moved to Package characteristics section.</li> <li>Following note removed: “All parameter values in this document are tested with nominal supply voltage values (<math>V_{DD\_LV} = 1.25\text{ V}</math>, <math>V_{DD\_HV} = 5.0\text{ V} \pm 10\%</math>, <math>V_{DD\_HV\_IO} = 5.0\text{ V} \pm 10\%</math> or <math>3.3\text{ V} \pm 10\%</math>) and <math>T_A = -40</math> to <math>125\text{ }^\circ\text{C}</math> unless otherwise specified.”. Operating conditions will appear elsewhere in the data sheet.</li> <li>Added <math>V_{DD\_HV\_IO\_FLEX}</math> before <math>V_{DD\_HV\_FLA}</math> in the second note on the page</li> </ul>
		<b>Electrical characteristics—Absolute maximum ratings</b>
<p><a href="#">Table 6 (Absolute maximum ratings):</a></p> <ul style="list-style-type: none"> <li><math>I_{MAXD}</math> specification now given by pad type (Medium, Strong, and Very Strong)</li> <li><math>I_{MAXA}</math> specification deleted.</li> <li>New specification: <math>I_{INJD}</math> (Maximum DC injection current for digital pad)</li> <li>New specification: <math>I_{INJA}</math> (Maximum DC injection current for analog pad)</li> <li>New specification: <math>I_{MAXSEG}</math> (Maximum current per power segment)</li> <li>New specification: <math>V_{FERS}</math> (Flash erase acceleration supply)</li> <li>New specification: <math>V_{DD\_HV\_IO\_EBI}</math> (External Bus Interface supply)</li> <li>Changed “Emulation module supply” to “BD supply” in the <math>V_{DD\_LV\_BD} - BDD\_LV</math> row</li> <li>Maximum junction temperature changed from <math>125\text{ }^\circ\text{C}</math> to <math>165\text{ }^\circ\text{C}</math> in cumulative time limits on voltage levels for <math>V_{DD\_LV}</math> and <math>V_{DD\_LV\_BD}</math></li> <li>Footnote added to <math>V_{FERS}</math>: <math>V_{FERS}</math> is a factory test supply pin that is used to reduce the erase time of the flash. It is only available in bare die devices. There is no <math>V_{FERS}</math> pin in the packaged devices. The <math>V_{FERS}</math> supply pad can be bonded to ground (<math>V_{SS\_HV}</math>) to disable, or connected to <math>5.0\text{ V} \pm 5\%</math> to use the flash erase acceleration feature. Pad can be left at <math>5\text{ V} \pm 5\%</math> in normal operation.</li> <li>Footnote added to <math>V_{IN}</math>: “The maximum input voltage on an I/O pin tracks with the associated I/O supply maximum. For the injection current condition on a pin, the voltage will be equal to the supply plus the voltage drop across the internal ESD diode from I/O pin to supply. The diode voltage varies greatly across process and temperature, but a value of <math>0.3\text{ V}</math> can be used for nominal calculations.”</li> <li>Footnote <math>V_{DD\_LV}</math> changed: “<math>1.32 - 1.375\text{ V}</math> range allowed periodically for supply with sinusoidal shape and average supply value below <math>1.288\text{ V}</math> at maximum <math>T_J = 165\text{ }^\circ\text{C}</math>” (was <math>1.275</math>)</li> </ul>		

Table 76. Revision history (continued)

Revision	Date	Description of changes
2	4/2013	<b>Electrical characteristics—Operating conditions</b>
		<a href="#">Table 8 (Device operating conditions)</a> <ul style="list-style-type: none"><li>• Changed VSTBY_BO minimum from 0.7V to 0.8V.</li></ul>
		<b>Electrical characteristics—DC electrical specifications</b>
		<a href="#">Table 10 (DC electrical specifications)</a> <ul style="list-style-type: none"><li>• Replaced table; significant changes throughout, including parameter names, descriptions, and values.</li></ul>

Table 76. Revision history (continued)

Revision	Date	Description of changes
2	4/2013	<p style="text-align: center;"><b>Electrical characteristics—I/O pad specification</b></p> <p><a href="#">Table 11 (I/O pad specification descriptions)</a></p> <ul style="list-style-type: none"> <li>Revised “Very strong configuration” description to include EBI data bus.</li> <li>Added “EBI configuration” row.</li> <li>Changed “Input only pads” description to “These pads, which ensure low input leakage, are associated with the ADC channels” (was “These pads are associated with the ADC channels and 32 kHz low power external crystal oscillator providing low input leakage”)</li> <li>Changed note following table to “Each I/O pin on the device supports specific drive configurations. See the signal description table in the device reference manual for the available drive configurations for each I/O pin” (was “All pads can be configured in all configurations”)</li> </ul> <p><a href="#">Table 12 (I/O input DC electrical characteristics)</a></p> <ul style="list-style-type: none"> <li>New specification: <math>V_{DRFTTTL}</math> (Input <math>V_{IL}/V_{IH}</math> temperature drift TTL)</li> <li>New specification: <math>V_{DRFTAUT}</math> (Input <math>V_{IL}/V_{IH}</math> temperature drift)</li> <li>New specification: <math>V_{DRFTCMOS}</math> (Input <math>V_{IL}/V_{IH}</math> temperature drift CMOS)</li> <li>Conditions for <math>V_{IHC MOS\_H}</math>, <math>V_{IHC MOS}</math>, <math>V_{ILCMOS\_H}</math>, <math>V_{ILCMOS}</math>, <math>V_{HYSC MOS}</math>, <math>V_{DRFTCMOS}</math> are now <math>3.0\text{ V} &lt; V_{DD\_HV\_IO} &lt; 3.6\text{ V}</math> and <math>4.5\text{ V} &lt; V_{DD\_HV\_IO} &lt; 5.5\text{ V}</math> (was <math>2.7\text{ V} &lt; V_{DD\_HV\_IO} &lt; 3.6\text{ V}</math> and <math>4.0\text{ V} &lt; V_{DD\_HV\_IO} &lt; 5.5\text{ V}</math>)</li> <li>New specification: <math>I_{LKG\_MED}</math> (Digital input leakage for MEDIUM pad)</li> <li>Footnotes give formulas for approximation of the variation of the <i>minimum</i> value with supply of <math>V_{IHAUT}</math> and <math>V_{HYSAUT}</math> (previously stated formulas approximated <i>upper</i> value instead of minimum value). Changed formula for <math>V_{IHAUT}</math> to “<math>0.69 \times V_{DD\_HV\_IO}</math>” (was “<math>0.69</math> supply”). Changed formula for <math>V_{HYSAUT}</math> to “<math>0.11 \times V_{DD\_HV\_IO}</math>” (was “<math>0.11</math> supply”).</li> <li>Footnote gives formula for approximation of the variation of the <i>maximum</i> value with supply of <math>V_{ILAUT}</math> (previously stated formula approximated <i>upper</i> value instead of maximum value). Changed formula for <math>V_{ILAUT}</math> to “<math>0.49 \times V_{DD\_HV\_IO}</math>” (was “<math>0.49</math> supply”).</li> <li>Added footnote: “In a 1 ms period, assuming stable voltage and a temperature variation of <math>\pm 30^\circ\text{C}</math>, <math>V_{IL}/V_{IH}</math> shift is within <math>\pm 50\text{ mV}</math>.”</li> <li><math>V_{HYSAUT}</math> conditions column: replaced dash with <math>4.5\text{ V} &lt; V_{DD\_HV\_IO} &lt; 5.5\text{ V}</math></li> <li><math>C_{IN}</math> row, changed GPIO input pins conditions Max value from “10” to 7pF and EBI input pins Max value from “8” to “7pF”</li> </ul> <p><a href="#">Table 13 (I/O pull-up/pull-down DC electrical characteristics)</a></p> <ul style="list-style-type: none"> <li>Significant revisions throughout this table, including new conditions for <math> I_{WPU} </math> and <math> I_{WPD} </math></li> <li>New specification: <math>R_{WPU}</math> (Weak pull-up resistance)</li> <li>New specification: <math>R_{WPD}</math> (Weak pull-down resistance)</li> <li>New figure: <a href="#">Figure 8 (Weak pull-up electrical characteristics definition)</a></li> <li>New figure: <a href="#">Figure 18 (I/O output DC electrical characteristics definition)</a></li> </ul>

Table 76. Revision history (continued)

Revision	Date	Description of changes
2	4/2013	<p align="center"><b>Electrical characteristics—I/O pad specification (con't)</b></p> <p><a href="#">Table 14 (WEAK configuration output buffer electrical characteristics)</a></p> <ul style="list-style-type: none"> <li>• <math>R_{OH\_W}</math> (PMOS output impedance weak configuration) condition is now 4.5 V &lt; <math>V_{DD\_HV\_IO}</math> &lt; 5.9 V, Push pull <math>I_{OH}</math> &lt; 0.5 mA (was 4.0 V &lt; <math>V_{DD\_HV\_IO}</math> &lt; 5.9 V). Removed 3.0 V &lt; <math>V_{DD\_HV\_IO}</math> &lt; 4.0 V condition.</li> <li>• <math>R_{OL\_W}</math> (NMOS output impedance WEAK configuration) condition is now 4.5 V &lt; <math>V_{DD\_HV\_IO}</math> &lt; 5.9 V, Push pull <math>I_{OL}</math> &lt; 0.5 mA (was 4.0 V &lt; <math>V_{DD\_HV\_IO}</math> &lt; 5.9 V). Removed 3.0 V &lt; <math>V_{DD\_HV\_IO}</math> &lt; 4.0 V condition.</li> <li>• <math>t_{TR\_W}</math> (Transition time output pin WEAK configuration) conditions changed for <math>C_L = 25</math> pF, <math>C_L = 50</math> pF, <math>C_L = 200</math> pF: 4.5 V &lt; <math>V_{DD\_HV\_IO}</math> &lt; 5.9 V (was 4.0 V &lt; <math>V_{DD\_HV\_IO}</math> &lt; 5.9 V)</li> <li>• Specification change: <math>t_{TR\_W}</math>, <math>C_L = 200</math> pF, 4.5 V &lt; <math>V_{DD\_HV\_IO}</math> &lt; 5.9 V max value is 820 ns (was 1000)</li> <li>• Specification change: <math>t_{TR\_W}</math>, <math>C_L = 25</math> pF, 3.0 V &lt; <math>V_{DD\_HV\_IO}</math> &lt; 3.6 V min value is 50 ns (was TBD)</li> <li>• Specification change: <math>t_{TR\_W}</math>, <math>C_L = 50</math> pF, 3.0 V &lt; <math>V_{DD\_HV\_IO}</math> &lt; 3.6 V min value is 100 ns (was TBD)</li> <li>• Specification change: <math>t_{TR\_W}</math>, <math>C_L = 200</math> pF, 3.0 V &lt; <math>V_{DD\_HV\_IO}</math> &lt; 3.6 V min value is 350 ns (was TBD) and max value is 1050 ns (was TBD)</li> <li>• Conditions column heading, added footnote: All <math>V_{DD\_HV\_IO}</math> conditions for 4.5V to 5.9V are valid for <math>VSIO[VSIO\_xx] = 1</math>, and all specifications for 3.0V to 3.6V are valid for <math>VSIO[VSIO\_xx] = 0</math></li> </ul> <p><a href="#">Table 15 (MEDIUM configuration output buffer electrical characteristics)</a></p> <ul style="list-style-type: none"> <li>• <math>R_{OH\_M}</math> (PMOS output impedance MEDIUM configuration) condition is now 4.5 V &lt; <math>V_{DD\_HV\_IO}</math> &lt; 5.9 V, Push pull <math>I_{OH}</math> &lt; 2 mA (was 4.0 V &lt; <math>V_{DD\_HV\_IO}</math> &lt; 5.9 V). Removed 3.0 V &lt; <math>V_{DD\_HV\_IO}</math> &lt; 4.0 V condition.</li> <li>• <math>R_{OL\_M}</math> (NMOS output impedance MEDIUM configuration) condition is now 4.5 V &lt; <math>V_{DD\_HV\_IO}</math> &lt; 5.9 V, Push pull <math>I_{OL}</math> &lt; 2 mA (was 4.0 V &lt; <math>V_{DD\_HV\_IO}</math> &lt; 5.9 V). Removed 3.0 V &lt; <math>V_{DD\_HV\_IO}</math> &lt; 4.0 V condition.</li> <li>• <math>t_{TR\_M}</math> (Transition time output pin MEDIUM configuration) conditions changed for <math>C_L = 25</math> pF, <math>C_L = 50</math> pF, <math>C_L = 200</math> pF: 4.5 V &lt; <math>V_{DD\_HV\_IO}</math> &lt; 5.9 V (was 4.0 V &lt; <math>V_{DD\_HV\_IO}</math> &lt; 5.9 V)</li> <li>• Specification change: <math>t_{TR\_M}</math>, <math>C_L = 200</math> pF, 4.5 V &lt; <math>V_{DD\_HV\_IO}</math> &lt; 5.9 V max value is 200 ns (was 240)</li> <li>• Specification change: <math>t_{TR\_M}</math>, <math>C_L = 25</math> pF, 3.0 V &lt; <math>V_{DD\_HV\_IO}</math> &lt; 3.6 V min value is 12 ns (was TBD)</li> <li>• Specification change: <math>t_{TR\_M}</math>, <math>C_L = 50</math> pF, 3.0 V &lt; <math>V_{DD\_HV\_IO}</math> &lt; 3.6 V min value is 24 ns (was TBD)</li> <li>• Specification change: <math>t_{TR\_M}</math>, <math>C_L = 200</math> pF, 3.0 V &lt; <math>V_{DD\_HV\_IO}</math> &lt; 3.6 V min value is 70 ns (was TBD) and max value is 300 ns (was TBD)</li> <li>• New specification: <math>I_{DCMAX\_M}</math> (Maximum DC current)</li> <li>• New specification: <math> t_{SKEW\_M} </math> (Difference between rise and fall time)</li> <li>• Formula given for transition time typical value changed to: <math>t_{TR\_M}(ns) = 5.6 ns + C_L(pF) \times 1.11 ns/pF</math> (when 0 pF &lt; <math>C_L</math> &lt; 50 pF) and <math>t_{TR\_M}(ns) = 13 ns + C_L(pF) \times 0.96 ns/pF</math> (when 50 pF &lt; <math>C_L</math> &lt; 200 pF)</li> <li>• Footnote added: <math>R_{OX\_M}(min)</math> may decrease by 10% at <math>T_J = 165</math> °C.</li> <li>• Footnote added: <math>R_{OX\_M}(max)</math> may increase by 10% at <math>T_J = 165</math> °C.</li> <li>• Conditions column heading, added footnote: All <math>V_{DD\_HV\_IO}</math> conditions for 4.5V to 5.9V are valid for <math>VSIO[VSIO\_xx] = 1</math>, and all specifications for 3.0V to 3.6V are valid for <math>VSIO[VSIO\_xx] = 0</math></li> </ul>

Table 76. Revision history (continued)

Revision	Date	Description of changes
2	4/2013	<p align="center"><b>Electrical characteristics—I/O pad specification (con't)</b></p> <p><a href="#">Table 16 (STRONG configuration output buffer electrical characteristics)</a></p> <ul style="list-style-type: none"> <li>• New specification: <math>I_{DCMAX\_S}</math> (Maximum DC current)</li> <li>• Renamed: <math>R_{OH\_F}</math> (PMOS output impedance STRONG configuration) is now <math>R_{OH\_S}</math></li> <li>• Renamed: <math>R_{OL\_F}</math> (NMOS output impedance STRONG configuration) is now <math>R_{OL\_S}</math></li> <li>• Renamed: <math>f_{MAX\_M}</math> (Output frequency STRONG configuration) is now <math>f_{MAX\_S}</math></li> <li>• <math>R_{OH\_S}</math> condition is now <math>4.5\text{ V} &lt; V_{DD\_HV\_IO} &lt; 5.9\text{ V}</math>, Push pull <math>I_{OH} &lt; 8\text{ mA}</math> (was <math>4.0\text{ V} &lt; V_{DD\_HV\_IO} &lt; 5.9\text{ V}</math>). Removed <math>3.0\text{ V} &lt; V_{DD\_HV\_IO} &lt; 4.0\text{ V}</math> condition.</li> <li>• <math>R_{OL\_S}</math> condition is now <math>4.5\text{ V} &lt; V_{DD\_HV\_IO} &lt; 5.9\text{ V}</math>, Push pull <math>I_{OH} &lt; 8\text{ mA}</math> (was <math>4.0\text{ V} &lt; V_{DD\_HV\_IO} &lt; 5.9\text{ V}</math>). Removed <math>3.0\text{ V} &lt; V_{DD\_HV\_IO} &lt; 4.0\text{ V}</math> condition.</li> <li>• <math>t_{TR\_S}</math> conditions changed for <math>C_L = 25\text{ pF}</math>, <math>C_L = 50\text{ pF}</math>, <math>C_L = 200\text{ pF}</math>: <math>4.5\text{ V} &lt; V_{DD\_HV\_IO} &lt; 5.9\text{ V}</math> (was <math>4.0\text{ V} &lt; V_{DD\_HV\_IO} &lt; 5.9\text{ V}</math>)</li> <li>• Specification change: <math>f_{MAX\_S}</math>, <math>C_L = 200\text{ pF}</math> max value is 5 MHz (was “—”)</li> <li>• Specification change: <math>t_{TR\_S}</math>, <math>C_L = 25\text{ pF}</math>, <math>3.0\text{ V} &lt; V_{DD\_HV\_IO} &lt; 3.6\text{ V}</math> min value is 4 ns (was TBD) and max value is 15 ns (was TBD)</li> <li>• Specification change: <math>t_{TR\_S}</math>, <math>C_L = 50\text{ pF}</math>, <math>3.0\text{ V} &lt; V_{DD\_HV\_IO} &lt; 3.6\text{ V}</math> min value is 6 ns (was TBD) and max value is 27 ns (was TBD)</li> <li>• Specification change: <math>t_{TR\_S}</math>, <math>C_L = 200\text{ pF}</math>, <math>3.0\text{ V} &lt; V_{DD\_HV\_IO} &lt; 3.6\text{ V}</math> min value is 20 ns (was TBD) and max value is 83 ns (was TBD)</li> <li>• Footnote added: <math>R_{OX\_S}(\text{min})</math> may decrease by 10% at <math>T_J = 165\text{ }^\circ\text{C}</math>.</li> <li>• Footnote added: <math>R_{OX\_S}(\text{max})</math> may increase by 10% at <math>T_J = 165\text{ }^\circ\text{C}</math>.</li> <li>• Conditions column heading, added footnote: All <math>V_{DD\_HV\_IO}</math> conditions for 4.5V to 5.9V are valid for <math>VSIO[VSIO\_xx] = 1</math>, and all specifications for 3.0V to 3.6V are valid for <math>VSIO[VSIO\_xx] = 0</math></li> </ul> <p><a href="#">Table 17 (VERY STRONG configuration output buffer electrical characteristics)</a></p> <ul style="list-style-type: none"> <li>• New specification: <math>I_{DCMAX\_M}</math> (Maximum DC current)</li> <li>• New condition added to <math>t_{TR\_V}</math>: <math>V_{DD\_HV\_IO} = 5.0\text{ V} \pm 10\%</math>, <math>C_L = 200\text{ pF}</math></li> <li>• Footnote added: <math>R_{OX\_V}(\text{min})</math> may decrease by 10% at <math>T_J = 165\text{ }^\circ\text{C}</math>.</li> <li>• Footnote added: <math>R_{OX\_V}(\text{max})</math> may increase by 10% at <math>T_J = 165\text{ }^\circ\text{C}</math>.</li> <li>• Conditions column heading, added footnote: All <math>V_{DD\_HV\_IO}</math> conditions for 4.5V to 5.9V are valid for <math>VSIO[VSIO\_xx] = 1</math>, and all specifications for 3.0V to 3.6V are valid for <math>VSIO[VSIO\_xx] = 0</math></li> </ul> <p><a href="#">Table 18 (EBI pad output electrical specification)</a></p> <ul style="list-style-type: none"> <li>• Replaced this table “EBI output driver electrical characteristics” with new table “EBI pad electrical specification”</li> </ul> <p align="center"><b>Electrical characteristics—I/O pad current specification</b></p> <p>New section</p> <p align="center"><b>Electrical characteristics—Reset pad (PORST, ESR0) electrical characteristics</b></p> <p><a href="#">Section 3.8, Reset pad (PORST, ESR0) electrical characteristics:</a></p> <ul style="list-style-type: none"> <li>• Added note on <math>\overline{\text{PORST}}</math> and active control</li> </ul> <p><a href="#">Figure 11 (Noise filtering on reset signal):</a></p> <ul style="list-style-type: none"> <li>• Replaced; significant detail added</li> <li>• Clarification: <math>V_{\overline{\text{ESR0}}}</math> is also described by <math>V_{\overline{\text{PORST}}}</math> behavior shown in illustration.</li> <li>• Figure prefaced with more detailed <math>\overline{\text{PORST}}</math> description.</li> </ul>

**Table 76. Revision history (continued)**

Revision	Date	Description of changes
2	4/2013	<p><b>Electrical characteristics—Reset pad (PORST, ESR0) electrical characteristics (con't)</b></p> <p><a href="#">Table 20 (Reset electrical characteristics)</a></p> <ul style="list-style-type: none"> <li>• New specification: <math>W_{FNMI}</math> (ESR1 input filtered pulse)</li> <li>• New specification: <math>W_{NFMNI}</math> (ESR1 input not filtered pulse)</li> <li>• New specification: <math>V_{DD\_POR}</math> (Minimum supply for strong pull-down activation)</li> <li>• <math>I_{OL\_R}</math> condition changed (<math>V_{DD\_HV\_IO} = 1.0\text{ V}</math> is now <math>V_{DD\_HV\_IO} = V_{DD\_POR}</math>, <math>V_{DD\_HV\_IO} = 4.0\text{ V}</math> is now <math>3.0\text{ V} &lt; V_{DD\_HV\_IO} &lt; 5.5\text{ V}</math>, and <math>V_{OL} = 0.35 \cdot V_{DD\_HV\_IO}</math> is now <math>V_{OL} &gt; 0.9\text{ V}</math>)</li> <li>• Specification change: <math>I_{OL\_R}</math> (<math>3.0\text{ V} &lt; V_{DD\_HV\_IO} &lt; 5.5\text{ V}</math>, <math>V_{OL} &gt; 0.9\text{ V}</math>) min value is 11 mA (was 15)</li> <li>• Added footnote: An external 4.7 K<math>\Omega</math> pull-up resistor is recommended to be used with the PORST and ESR0 pins for fast negation of the signals.</li> <li>• Added footnote: <math>I_{OL\_R}</math> applies to both PORST and ESR0: Strong pull-down is active on PHASE0 for PORST. Strong pull-down is active on PHASE0, PHASE1, PHASE2, and the beginning of PHASE3 for ESR0.</li> <li>• Added note on reset signal slew rate restrictions</li> </ul> <p><b>Electrical characteristics—Oscillator and FMPLL</b></p> <p><a href="#">Section 3.12, Oscillator and FMPLL</a></p> <p><a href="#">Table 21 (PLL0 electrical characteristics)</a></p> <ul style="list-style-type: none"> <li>• New specification: <math>f_{PLL0PHI0}</math> (PLL0 output frequency)</li> <li>• Specification change: <math>t_{PLL0LOCK}</math> (PLL0 lock time) maximum is 100 <math>\mu\text{s}</math> (was 100–110 <math>\mu\text{s}</math>)</li> <li>• <math>\Delta_{PLL0LTJ}</math> specification parameter and conditions change: “PLL0 output long term jitter, <math>f_{PLL0IN} = 20\text{ MHz}</math> (resonator), VCO frequency = 800 MHz” (was “PLL0 output long term jitter, <math>f_{PLL0IN} = 20\text{ MHz}</math> (resonator)”). Conditions significantly revised.</li> <li>• Revised footnote: “VDD_LV noise due to application in the range <math>V_{DD\_LV} = 1.25\text{ V} \pm 5\%</math> with frequency below PLL bandwidth (40 KHz) will be filtered” (was “1.25 V <math>\pm 5\%</math> application noise below 40kHz at VDD_LV pin”)</li> <li>• Removed “F” from “FXOSC” in footnote 1</li> </ul> <p><a href="#">Table 22 (PLL1 electrical characteristics)</a></p> <ul style="list-style-type: none"> <li>• Specification change: <math>f_{PLL1PHI}</math> (PLL1 output clock PHI) is now <math>f_{PLL1PHI0}</math> (PLL1 output clock PHI0)</li> <li>• Specification change: <math>f_{PLL1PHI0}</math> (PLL1 output clock PHI0) max is 200 MHz (was 625 MHz)</li> <li>• <math>f_{PLL1PHI}</math> parameter, Max column, changed 200MHz to 300MHz.</li> <li>• Removed “F” from “FXOSC” in footnote 1</li> </ul>

Table 76. Revision history (continued)

Revision	Date	Description of changes
2	4/2013	<p style="text-align: center;"><b>Electrical characteristics—Oscillator and FMPLL (con't)</b></p> <p><a href="#">Table 23 (External Oscillator electrical specifications):</a></p> <ul style="list-style-type: none"> <li>• New specification: <math>V_{HYS}</math> (Comparator Hysteresis)</li> <li>• New specification: <math>V_{EXTAL}</math> (Oscillation Amplitude on the EXTAL pin after startup)</li> <li>• Specification change: <math>f_{XTAL}</math> range values changed: <math>f_{XTAL}</math> ranges are 4–8 MHz, &gt;8–20 MHz, and &gt;20–40 MHz (previously stated as 4–8 MHz, 8–16 MHz, and 20–40 MHz)</li> <li>• Specification change <math>t_{cst}</math> (Crystal start-up time) is now specified by temperature range</li> <li>• Specification change: <math>V_{IHEXT}</math> specified at <math>V_{REF} = 0.28 * V_{DD\_HV\_IO\_JTAG}</math> (previously specified at <math>V_{DDOSC} = 3.0\text{ V}</math> and <math>V_{DDOSC} = 5.5\text{ V}</math>)</li> <li>• Specification change: <math>V_{ILEXT}</math> specified at <math>V_{REF} = 0.28 * V_{DD\_HV\_IO\_JTAG}</math> (previously specified at <math>V_{DDOSC} = 3.0\text{ V}</math> and <math>V_{DDOSC} = 5.5\text{ V}</math>)</li> <li>• Specification change: <math>C_{S\_EXTAL}</math> values specified by package (was previously based on selected load capacitance value)</li> <li>• Specification change: <math>C_{S\_XTAL}</math> values specified by package (was previously based on selected load capacitance value)</li> <li>• Specification change: <math>g_m</math> (Oscillator Transconductance) is now specified by temperature and frequency range conditions (was previously specified without conditions)</li> <li>• Footnote added: “All oscillator specifications are valid for <math>V_{DD\_HV\_IO\_JTAG} = 3.0\text{ V} - 5.5\text{ V}</math>.”</li> <li>• Footnote added to <math>C_{S\_EXTAL}</math>, <math>C_{S\_XTAL}</math> to refer to crystal manufacturer's specifications for load capacitance values.</li> <li>• Footnote added: “Amplitude on the EXTAL pin after startup is determined by the ALC block, i.e., the Automatic Level Control Circuit. The function of the ALC is to provide high drive current during oscillator startup, but reduce current after oscillation in order to reduce power, distortion, and RFI, and to avoid over-driving the crystal. The operating point of the ALC is dependent on the crystal value and loading conditions.”</li> <li>• Footnote added: “<math>I_{XTAL}</math> is the oscillator bias current out of the XTAL pin with both EXTAL and XTAL pins grounded. This is the maximum current during startup of the oscillator. The current after oscillation is typically in the 2–3 mA range and is dependent on the load and series resistance of the crystal.”</li> <li>• <math>V_{ILEXT}</math> parameter, changed “External Reference” to “External Clock Input”</li> <li>• <math>V_{ILEXT}</math> parameter, added footnote: This parameter is guaranteed by design rather than 100% tested.</li> </ul> <p><a href="#">Table 24 (Selectable load capacitance):</a></p> <ul style="list-style-type: none"> <li>• Changed footnote 2 from “Values in this table do not include 8 pF routing and ESD structure on die and package trace capacitance.” to “Values in this table do not include the die and package capacitances given by <math>C_{s\_xtal}/C_{s\_extal}</math> in <a href="#">Table 23 (External Oscillator electrical specifications)</a>.”</li> </ul> <p style="text-align: center;"><b>Electrical characteristics—ADC specifications</b></p> <p><a href="#">Section 3.10.1, ADC input description</a></p> <p><a href="#">Table 26 (ADC pin specification)</a></p> <ul style="list-style-type: none"> <li>• <math>I_{LK\_IN}</math> specification change: removed <math>T_A = 125\text{ °C}</math> row from (<math>T_A = 125\text{ °C}</math>)</li> <li>• <math>I_{LK\_INUD}</math>, <math>I_{LK\_INUSD}</math>, <math>I_{LK\_INREF}</math>, and <math>I_{LK\_INOUT}</math> specification changes to parameters, conditions, and values.</li> <li>• Specification change: <math>I_{INJ}</math> min value is <math>-3\text{ mA}</math> (was <math>-1</math>)</li> <li>• Specification change: <math>C_S</math> max value is <math>8.5\text{ pF}</math> (was 7)</li> <li>• Specification change: <math>R_{SWn}</math> max value for SARn channels is <math>1.1\text{ k}\Omega</math> (was 0.6)</li> </ul>

**Table 76. Revision history (continued)**

Revision	Date	Description of changes
2	4/2013	<p align="center"><b>Electrical characteristics—ADC specifications (con't)</b></p> <p><a href="#">Section 3.10.1, ADC input description</a>  <a href="#">Table 26 (ADC pin specification)</a>:</p> <ul style="list-style-type: none"> <li>• Specification change: <math>R_{SWn}</math> max value for SARB channels is 1.7 k<math>\Omega</math> (was 1.2)</li> <li>• Specification change: <math>R_{CMSW}</math> max value is 2.6 k<math>\Omega</math> (was 2)</li> <li>• Removed <math>V_{REF\_BG}</math> specification</li> <li>• Added <math>V_{REF\_BG\_LR}</math> and <math>V_{REF\_BG\_TC}</math> specifications</li> <li>• Added footnote: Specifications in this table apply to both packaged parts and Known Good Die (KGD) parts, except where noted.</li> <li>• Added footnote: The temperature coefficient and line regulation specifications are used to calculate the reference voltage drift at an operating point within the specified voltage and temperature operating conditions.</li> <li>• Parameter <math>I_{LK\_INOUT}</math> description column, changed MEDIUM output buffer with GPIO output buffer.</li> </ul> <p><a href="#">Table 27 (SARn ADC electrical specification)</a></p> <ul style="list-style-type: none"> <li>• Replaced table</li> </ul> <p><a href="#">Section 3.13.3, S/D ADC electrical specification</a></p> <ul style="list-style-type: none"> <li>• Revised sentence to indicate that the ADCs are 14-bit (was 16-bit)</li> </ul> <p><a href="#">Table 28 (SDn ADC electrical specification)</a></p> <ul style="list-style-type: none"> <li>• New specification: <math>f_{PASSBAND}</math> (Pass band)</li> <li>• Removed <math>V_{DD}</math> and <math>V_{SS}</math> specifications</li> <li>• Removed <math>f_{IN}</math> specification</li> <li>• Throughout table, appended <math>\_D</math> to change to <math>V_{DD\_HV\_ADV\_D}</math> (was <math>V_{DD\_HV\_ADV}</math>), <math>V_{SS\_HV\_ADV\_D}</math> (was <math>V_{SS\_HV\_ADV}</math>), <math>V_{DD\_HV\_ADR\_D}</math> (was <math>V_{DD\_HV\_ADR}</math>), and <math>V_{SS\_HV\_ADR\_D}</math> (was <math>V_{SS\_HV\_ADR}</math>).</li> <li>• <math>V_{IN\_PK2PK}</math> (Input range peak to peak <math>V_{IN\_PK2PK} = V_{INP} - V_{INM}</math>): single ended specification extended to include multiple conditions</li> <li>• Multiple condition changes for the <math> \delta_{GAIN} </math> and <math>SNR_{DIFF150}</math> parameters</li> <li>• <math>\delta_{GAIN}</math>: changed maximum value for Before calibration condition to “1.5 %” (was 1 %).</li> <li>• SFDR conditions revised to include different GAIN settings</li> <li>• Specification change: <math>\delta V_{BIAS}</math> min value is -2.5% (was -10) and the max value is +2.5% (was +10)</li> <li>• Significant revisions to footnotes, including one added to voltage range conditions in all SNR specs: “In the range <math>3.6\text{ V} &lt; V_{DD\_HV\_ADV} &lt; 4.0\text{ V}</math> and <math>&lt; 3.0\text{ V} &lt; V_{DD\_HV\_ADR} &lt; 4.0\text{ V}</math>, SNR parameter degrades by 9 dB”</li> <li>• <math>f_{ADCD\_M}</math>, changed “S/D clock 3(4)” to “S/D Modulator Input Clock” and replaced “—” with “4” in Min column</li> <li>• <math>f_{ADCD\_S}</math> changed “conversion rate” to “output conversion rate”</li> <li>• Changed SNR specifications Unit column from “dB” to “dBFS”</li> <li>• Changed SFDR specification Unit column from “dB” to “dBc”</li> <li>• Add to footnote: Input impedance is calculated in megaohms by the formula <math>25.6 / (\text{Gain } f_{adcd\_m})</math></li> <li>• Changed Group delay, <math>OSR = 75</math>, Max value from “546” to “596”</li> <li>• Added new specifications: <math>SINAD_{DIFF150}</math>, <math>SINAD_{DIFF333}</math>, <math>SINAD_{SE150}</math>, <math>THD_{DIFF150}</math>, <math>THD_{DIFF333}</math>, <math>THD_{SE150}</math></li> </ul> <p align="center"><b>Electrical characteristics—Temperature sensor specifications</b></p> <p><a href="#">Table 29 (Temperature sensor electrical characteristics)</a></p> <ul style="list-style-type: none"> <li>• <math>T_{SENS}</math>, <math>T_{ACC}</math>, and <math>I_{TEMP\_SENS}</math> added to Symbol column.</li> <li>• Condition change for <math>T_{ACC}</math> (Accuracy): added 150 °C and 165 °C conditions</li> <li>• Specification change: <math>T_{ACC}</math> min value for <math>T_J &lt; 165^\circ\text{C}</math> is 7 °C (was -3) and max value is 7 °C (was 3)</li> <li>• Specification change: <math>I_{TEMP\_SENS}</math> max value is 700 <math>\mu\text{A}</math> (was 600).</li> </ul>



Table 76. Revision history (continued)

Revision	Date	Description of changes
2	4/2013	<p style="text-align: center;"><b>Electrical characteristics—LFAST electrical specifications</b></p> <p>Formerly named “DigRF interface electrical characteristics”; renamed to “LVDS Fast Asynchronous Serial Transmission (LFAST) pad electrical characteristics. The change from “DigRF” to “LFAST” applies throughout.</p> <p><a href="#">Figure 16 (LFAST and MSC/DSPI LVDS timing definition)</a>. Figure updated.</p> <p><a href="#">Section Table 30., LVDS pad startup and receiver electrical characteristics,</a></p> <ul style="list-style-type: none"> <li>• Specification change: added <math>I_{LVDS\_BIAS}</math></li> <li>• TRANSMITTER parameters moved to separate table: <math>V_{OS\_DRF}</math> (Common mode voltage), <math> D_{VOD\_DRF} </math> (Differential output voltage swing (terminated)), <math>t_{TR\_DRF}</math> (Rise/Fall time (10%–90% of swing)), <math>R_{OUT\_DRF}</math> (Terminating resistance), <math>C_{OUT\_DRF}</math> (Capacitance)</li> <li>• Receiver requirement <math>V_{ICOM\_DRF}</math> renamed to <math>V_{ICOM}</math></li> <li>• Receiver requirement <math> \Delta V_{I\_DRF} </math> renamed to <math> \Delta V_I </math></li> <li>• Receiver specification <math>V_{HYS\_DRF}</math> renamed to <math>V_{HYS}</math></li> <li>• Receiver specification <math>R_{IN\_DRF}</math> renamed to <math>R_{IN}</math></li> <li>• Receiver specification <math>C_{IN\_DRF}</math> renamed to <math>C_{IN}</math></li> <li>• Receiver specification <math>L_{IN\_DRF}</math> deleted</li> <li>• Extensive changes throughout table footnotes.</li> </ul> <p><a href="#">Table 31 (LFAST transmitter electrical characteristics,):</a></p> <p>Differential output voltage swing parameter:</p> <ul style="list-style-type: none"> <li>• Removed the delta symbol from <math> VOD </math></li> <li>• Changed Min = 100, Typ = 171, Max = 285. removed the “+/-” from each value.</li> </ul> <p>Rise/Fall time parameter:</p> <ul style="list-style-type: none"> <li>• Changed “(10%–90% of swing)” to (absolute value of the differential output voltage swing)</li> </ul> <p><a href="#">Table 32 (MSC/DSPI LVDS transmitter electrical characteristics ,):</a></p> <p>Differential output voltage swing parameter:</p> <ul style="list-style-type: none"> <li>• Removed the delta symbol from <math> VOD </math></li> <li>• Changed Min +/- 150 to 150</li> <li>• Changed Typ +/- 200 to 214</li> <li>• Changed Max +/- 400 to 400</li> </ul> <p>Rise/Fall time parameter:</p> <ul style="list-style-type: none"> <li>• Changed “(10%–90% of swing)” to (absolute value of the differential output voltage swing)</li> </ul> <p><a href="#">Table 33 (LFAST PLL electrical characteristics)</a></p> <ul style="list-style-type: none"> <li>• Changed footnote 2, from “320” to “640” MHz frequency</li> </ul> <p><a href="#">Table 34 (Aurora LVDS electrical characteristics,)</a></p> <ul style="list-style-type: none"> <li>• Extensive changes throughout table</li> </ul>

Table 76. Revision history (continued)

Revision	Date	Description of changes
2	4/2013	<p><b>Electrical characteristics—Power management: PMC, POR/LVD, sequencing</b></p> <p><a href="#">Table 40 (PMC operating conditions and external regulators supply voltage)</a></p> <ul style="list-style-type: none"> <li>• Specification change: <math>V_{DD\_HV\_PMC}</math>, Reduced internal regulator output capacity max value is 3.5 V (was 5.5)</li> <li>• Specification change: <math>V_{DD\_HV\_PMC}</math>, Monitoring activity only min value is 2.7 V (was 3.0) and max value is 3.15 V (was 5.5)</li> </ul> <p><a href="#">Section 3.14.2, Power management integration</a></p> <ul style="list-style-type: none"> <li>• Entire section replaced</li> </ul> <p><a href="#">Table 36 (Flash power supply):</a></p> <ul style="list-style-type: none"> <li>• New</li> </ul> <p><a href="#">Section 3.14.4, Device voltage monitoring</a></p> <ul style="list-style-type: none"> <li>• Added <a href="#">Figure 24 (Voltage monitor threshold definition)</a></li> </ul> <p><a href="#">Table 37 (Voltage monitor electrical characteristics)</a></p> <ul style="list-style-type: none"> <li>• <math>V_{PORUP\_LV}</math> Added footnote2, “Hysteresis is only true with the High voltage Supplies for the I/O Main and the ADC are connected together. (There is actually around 1V of Hysteresis using these two supplies.)”</li> <li>• New specification: <math>V_{POR240}</math> (HV supply power-on reset voltage monitoring)</li> <li>• New specification: <math>t_{VDASSERT}</math> (Voltage detector threshold crossing assertion)</li> <li>• New specification: <math>t_{VDRELEASE}</math> (Voltage detector threshold crossing deassertion)</li> <li>• Specification change: <math>V_{PORUP\_LV}</math>, Rising voltage max value is 1180 mV (was 1170)</li> <li>• Specification change: <math>V_{PORUP\_LV}</math> Falling voltage max value is 1100 mV</li> <li>• Significant changes to footnotes for this table.</li> <li>• <math>V_{LVD096}</math> (LV internal supply low voltage monitoring). Footnote added: “LV internal supply levels are measured on device internal supply grid after internal voltage drop.”</li> <li>• <math>V_{LVD108}</math> (LV internal supply low voltage monitoring). Footnote added: “LV internal supply levels are measured on device internal supply grid after internal voltage drop.”</li> <li>• Specification change: <math>V_{LVD112}</math> max value is 1180 mV (was 1190)</li> <li>• Specification change: <math>V_{HVD140}</math> is 1440 mV (was 1420)</li> <li>• Specification change: <math>V_{PORUP\_HV}</math> Rising voltage max value is 4480 mV (was 4200); min value is 4040. in addition, the Falling voltage min value is 2830 mV (was 2700) and the max value of 3210 mV was added</li> <li>• Specification change: <math>V_{LVD270}</math> max value is 2950 mV (was 2980)</li> <li>• Specification change: <math>V_{LVD400}</math> max value is 4410 mV (was 4400); min value added for Rising voltage. Also, changed min value for Falling voltage is 3970 mV (was 3980)</li> </ul> <p>Specification change: <math>V_{HVD600}</math> min value is 5560 mV (was 5520) and max value is 6000 mV (was 5960)</p> <p><a href="#">Table 39 (Functional terminals state during power-up and reset)</a></p> <ul style="list-style-type: none"> <li>• Corrected ESR1 RESET pad state to “Weak pull-up” (was “pull-down”) and DEFAULT pad state to “Weak pull-up” (was “pull-down”)</li> <li>• Corrected TMS RESET pad state to “Weak pull-up” (was “pull-down”) and DEFAULT pad state to “Weak pull-up” (was “pull-down”)</li> <li>• Changed TDO RESET pad state to “High impedance” (was “Weak pull-up”)</li> <li>• Revised TESTMODE footnote: “An internal pull-down is implemented on the TESTMODE pin to prevent the device from entering test mode if the package TESTMODE pin is not connected. It is recommended to connect the TESTMODE pin to <math>V_{SS\_HV\_IO}</math> on the board for maximum robustness, but not required. The value of TESTMODE is latched at the negation of reset and has no affect afterward. The device will not exit functional reset with the TESTMODE pin asserted during power-up. The TESTMODE pin can be connected externally directly to ground without any other components.”</li> </ul>

Table 76. Revision history (continued)

Revision	Date	Description of changes
2	4/2013	<p><b>Electrical characteristics—Flash memory electrical characteristics</b></p> <p><a href="#">Section 3.15, Flash memory electrical characteristics</a></p> <ul style="list-style-type: none"> <li>This section completely revised.</li> </ul> <p><b>Electrical characteristics—AC specifications—Debug and Calibration</b></p> <p><a href="#">Table 46 (JTAG pin AC electrical characteristics,):</a></p> <ul style="list-style-type: none"> <li>Specification change: <math>t_{JCYC}</math> (TCK cycle time) now consists of a single specification—minimum value is 100 ns. Footnotes from previous entries have been removed.</li> <li>Specification change: <math>t_{TDOHZ}</math> (TCK low to TDO high impedance) is now 15 ns (was 16)</li> <li>Classification change: All specifications are “D” (were “P” and “C”)</li> </ul> <p><a href="#">Table 47 (Nexus debug port timing)</a></p> <ul style="list-style-type: none"> <li>New specification: <math>t_{EVTIPW}</math> (EVTI pulse width)</li> <li>New specification: <math>t_{EVTOPW}</math> (EVTO pulse width)</li> <li>Clarification: footnote added to <math>T_{CYC}</math>, defining it as the system clock period</li> <li>Specification change: TDO propagation delay from falling edge of TCK max is 16 ns (was 12.5 ns)</li> <li>Specification change: TCK cycle time is min value is <math>2 t_{CYC}</math> (was 4)</li> <li>Specification change: Absolute minimum TCK cycle time min value is 40 ns (was 25)</li> <li>Specification change: TDI Data Hold Time min value is 5 ns (was 17.5)</li> <li>Specification change: TMS Data Hold Time min value is 5 ns (was 17.5)</li> <li>TDO propagation delay from falling edge of TCK max value is 16 ns (was 12.5)</li> <li>Specification change: <math>t_{TCYC}</math> (absolute minimum TCK cycle time) now consists of two specifications—one with TDO sampled on posedge of TCK and one sampled with TDO sampled on negedge of TCK.</li> </ul> <p><a href="#">Table 48 (Aurora LVDS interface timing specifications)</a></p> <ul style="list-style-type: none"> <li>Specification change: Data rate typ. value is undefined (was 1200 Mbps)</li> <li>Specification change: Data rate max. value is 1250 Mbps (was “Typ+1%”)</li> </ul> <p><a href="#">Table 49 (Aurora debug port timing)</a></p> <ul style="list-style-type: none"> <li>Specification change: <math>t_{REFCLK}</math> (Reference clock frequency) max value is 1250 MHz (was 1200)</li> <li>Specification change: OUI (Aurora lane unit interval) is now specified by data rate</li> <li>Characteristic vs. Requirement change: <math>J_D</math> (Transmit lane deterministic jitter) is “SR” (was “CC”)</li> <li>Characteristic vs. Requirement change: <math>J_T</math> (Transmit lane total jitter) is “SR” (was “CC”)</li> </ul> <p><b>Electrical characteristics—AC specifications—DSPI</b></p> <p><a href="#">Section 3.19.2, DSPI timing with CMOS and LVDS pads:</a> Substantive changes to entire section, including reclassification of content as:</p> <ul style="list-style-type: none"> <li><a href="#">Table 51 (DSPI CMOS master classic timing (full duplex and output only) – MTFE = 0, CPHA = 0 or 1)</a></li> <li><a href="#">Table 52 (DSPI CMOS master modified timing (full duplex and output only) – MTFE = 1, CPHA = 0 or 1)</a></li> <li><a href="#">Table 54 (DSPI LVDS slave timing – full duplex – modified transfer format (MTFE = 0/1))</a></li> <li><a href="#">Table 55 (DSPI LVDS master timing – output only – timed serial bus mode TSB = 1 or ITSB = 1, CPOL = 0 or 1, continuous SCK clock,)</a></li> <li><a href="#">Table 56 (DSPI CMOS master timing – output only – timed serial bus mode TSB = 1 or ITSB = 1, CPOL = 0 or 1, continuous SCK clock,)</a></li> </ul>

**Table 76. Revision history (continued)**

Revision	Date	Description of changes
2	4/2013	<p><b>Electrical characteristics—AC specifications—Fast Ethernet Controller (FEC)</b></p> <p>Section 3.16.3, “FEC timing                      Table 58 (MII receive signal timing)</p> <ul style="list-style-type: none"> <li>• Column added: SR/CC (system requirement or controller characteristic)</li> <li>• Column added: Classification (parameters are guaranteed by design)</li> </ul> <p>Table 59 (MII transmit signal timing)</p> <ul style="list-style-type: none"> <li>• Column added: SR/CC (system requirement or controller characteristic)</li> <li>• Column added: Classification (parameters are guaranteed by design)</li> <li>• Footnote added to max and min values columns: “Output parameters are valid for <math>C_L = 25</math> pF, where <math>C_L</math> is the external load to the device. The internal package capacitance is accounted for, and does not need to be subtracted from the 25 pF value.”</li> </ul> <p>Table 60 (MII async inputs signal timing)</p> <ul style="list-style-type: none"> <li>• Column added: SR/CC (system requirement or controller characteristic)</li> <li>• Column added: Classification (parameters are guaranteed by design)</li> </ul> <p>Table 61 (MII serial management channel timing):</p> <ul style="list-style-type: none"> <li>• Column added: SR/CC (system requirement or controller characteristic)</li> <li>• Column added: Classification (parameters are guaranteed by design)</li> </ul> <p>Table 62 (RMII receive signal timing):</p> <ul style="list-style-type: none"> <li>• Column added: SR/CC (system requirement or controller characteristic)</li> <li>• Column added: Classification (parameters are guaranteed by design)</li> </ul> <p>Table 63 (RMII transmit signal timing.):</p> <ul style="list-style-type: none"> <li>• Column added: SR/CC (system requirement or controller characteristic)</li> <li>• Column added: Classification (parameters are guaranteed by design)</li> <li>• Specification change: REF_CLK to TXD[1:0], TX_EN valid max value is 16 ns (was 14)</li> <li>• Added footnote 2 to value column “Output parameters are valid for <math>CL = 25</math> pF, where <math>CL</math> is the external load to the device. The internal package capacitance is accounted for, and does not need to be subtracted from the 25 pF value.”</li> </ul> <p><b>Electrical characteristics—AC specifications—FlexRay</b></p> <p>Section 3.16.4, FlexRay timing                      Table 64 (TxEN output characteristics):</p> <ul style="list-style-type: none"> <li>• Column added: SR/CC (system requirement or controller characteristic)</li> <li>• Column added: Classification (parameters are guaranteed by design)</li> </ul> <p>Table 65 (TxD output characteristics):</p> <ul style="list-style-type: none"> <li>• <math>\Sigma t_{TR20-80}</math> specification for <math>V_{DD\_HV\_IO} = 5.0</math> V <math>\pm</math> 10%, Transmission line <math>Z = 50</math> ohms, <math>t_{delay} = 1</math> ns, <math>C_L = 10</math> pF, moved from Table 17 (VERY STRONG configuration output buffer electrical characteristics)</li> <li>• <math>\Sigma t_{TR20-80}</math> specification combined with dCCTxD<sub>RISE25</sub>+dCCTxD<sub>FALL25</sub> specification. Footnotes added for conditions. 3.3V specification added.</li> <li>• Footnote added: “Specifications valid according to FlexRay EPL 3.0.1 standard with 20%-80% levels and a 10pF load at the end of a 50ohm, 1ns stripline. Please refer to the Very Strong I/O pad specifications.”</li> <li>• Column added: SR/CC (system requirement or controller characteristic)</li> <li>• Column added: Classification (parameters are guaranteed by design)</li> </ul>

Table 76. Revision history (continued)

Revision	Date	Description of changes
2	4/2013	<b>Electrical characteristics—AC specifications—FlexRay (con't)</b>
		<p><a href="#">Table 66 (RxD input characteristics)</a>:</p> <ul style="list-style-type: none"> <li>• New specification: dCCRxAAsymAccept15 (Acceptance of asymmetry at receiving CC with 15 pF load)</li> <li>• New specification: dCCRxAAsymAccept25 (Acceptance of asymmetry at receiving CC with 25 pF load)</li> <li>• Column added: SR/CC (system requirement or controller characteristic)</li> <li>• Column added: Classification (parameters are guaranteed by design)</li> </ul>
		<b>Electrical characteristics—AC specifications—PSI5</b>
		<p><a href="#">Section 3.19.6, PSI5 timing</a>  <a href="#">Table 67 (PSI5 timing)</a>:</p> <ul style="list-style-type: none"> <li>• Specification description for <math>t_{MSG\_DLY}</math> changed to, "Delay from last bit of frame (CRC0) to assertion of new message received interrupt" (was, "Delay from last bit of frame (end of idle time) ...")</li> <li>• Specification description for <math>t_{MSG\_JIT}</math> changed to, "Delay jitter from last bit of frame (CRC0) to assertion of new message received interrupt" (was, "Delay from last bit of frame (end of idle time) ...")</li> <li>• Maximum value for <math>t_{SYNC\_JIT}</math> changed to <math>\pm(1 \text{ PSI5\_1}\mu\text{s\_CLK} + 1 \text{ PBRIDGE}_n\text{\_CLK})</math>; was 1 cycle</li> <li>• Footnote 2 ("Measured in PSI5 1 MHz clock cycles (PSI5_1us_CLK on the device).") on the unit for <math>t_{SYNC\_JIT}</math> deleted</li> <li>• Classification change: <math>t_{MSG\_DLY}</math> (Delay from last bit of frame (CRC0) to assertion of new message received interrupt) is "D" (was "C")</li> <li>• Classification change: <math>t_{SYNC\_DLY}</math> (Delay from internal sync pulse to sync pulse trigger at the SDOUT_PSI5_n pin) is "D" (was "C")</li> <li>• Classification change: <math>t_{MSG\_JIT}</math> (Delay jitter from last bit of frame (CRC0) to assertion of new message received interrupt) is "D" (was "C")</li> <li>• Classification change: <math>t_{SYNC\_JIT}</math> (Delay jitter from internal sync pulse to sync pulse trigger at the SDOUT_PSI5_n pin) is "D" (was "C")</li> </ul>
		<b>Electrical characteristics—AC specifications—UART</b>
		<p><a href="#">Section 3.18.7, UART timing</a></p> <ul style="list-style-type: none"> <li>• New</li> </ul>
		<b>Electrical characteristics—AC specifications—EBI</b>
		<p><a href="#">Section 3.16.7, External Bus Interface (EBI) Timing</a>:</p> <ul style="list-style-type: none"> <li>• New</li> </ul>
		<b>Package characteristics</b>
		<ul style="list-style-type: none"> <li>• 292 MAPBGA case drawing Rev. A included.</li> <li>• 416 TEPBGA case drawing Rev. 0 included.</li> </ul>
<b>Electrical characteristics—Thermal Characteristics</b>		
<p><a href="#">Table 74 (Thermal characteristics)</a></p> <ul style="list-style-type: none"> <li>• This table consolidates what were formerly separate thermal specifications tables for each package. All values have been updated.</li> </ul>		

**Table 76. Revision history (continued)**

Revision	Date	Description of changes
2	4/2013	<b>Ordering Information</b>
		<a href="#">Section 4, Ordering information:</a> <ul style="list-style-type: none"> <li>• New</li> </ul>
3	3/2014	<b>Throughout</b>
		<ul style="list-style-type: none"> <li>• Changed document ID to “MPC5777M.”</li> <li>• Updated the “e200_z720n3” cores to “e200_z710n3” and the “e200_z719” core to “e200_z709.”</li> <li>• Removed references to the 292 MAPBGA and LFBGA292 packages.</li> <li>• Editorial (non-technical) changes and improvements.</li> <li>• Removed references to KGD and 165°C ratings.</li> </ul>
		<b>Introduction</b>
		<a href="#">Table 1 (Family comparison):</a> <ul style="list-style-type: none"> <li>• SPC5744K column, ADC (SD) feature, changed “3” to “2”.</li> <li>• MPC5777M column, removed 292 MAPBGA.</li> <li>• Changed feature from “SIPI/LFAST<sup>7</sup> bus” to “Zipwire<sup>®</sup> (SIPI / LFAST<sup>7</sup>) Interprocessor Communication Interface”.</li> <li>• Removed “To be confirmed for final silicon” footnote from Local RAM row for SPC5744K.</li> <li>• Removed “Only on the I/O processor core” footnote from LSP row for all devices.</li> <li>• Changed System SRAM for MPC5777M to “404 KB” (was 384 KB).</li> <li>• Changed Flash memory for MPC5777M to “8640 KB” (was 7.9 MB).</li> <li>• Changed DMA Nexus Class for SPC5744K, MPC5746M, and MPC5777M to “3+” (was 3).</li> <li>• Changed GTM RAM for MPC5777M to “58 KB” (was 52 KB).</li> <li>• Changed Interrupt Controller entry for MPC5777M to “727 sources” (was 930 sources).</li> <li>• Removed “Integrated switch mode voltage regulator” row.</li> <li>• Removed “Degraded performance below 4.0 V” footnote from 5 V value in External power supplies row.</li> </ul> <a href="#">Figure 1 (Block diagram):</a> <ul style="list-style-type: none"> <li>• Updated the “e200_z720n3” cores to “e200_z710n3” and the “e200_z719” core to “e200_z709”.</li> </ul> <a href="#">Section 1.5, Feature overview</a> <ul style="list-style-type: none"> <li>• Changed item describing main CPUs to “single issue” (was “dual issue”).</li> <li>• Changed item describing on-chip flash memory to “8640 KB” (was “8528 KB”).</li> <li>• Removed FlexRay as an option for BAM serial port.</li> </ul>

Table 76. Revision history (continued)

Revision	Date	Description of changes
3	3/2014	<p align="center"><b>Package pinouts and signal descriptions</b></p> <p><a href="#">Section 2.1, Package pinouts:</a></p> <ul style="list-style-type: none"> <li>Removed “292” from the first sentence.</li> <li>Removed figure “292-ball BGA production device pinout (top view)” and figure “292-ball BGA production device pinout (bottom view)”.</li> </ul> <p><a href="#">Table 2 (Power supply and reference pins)</a> and <a href="#">Table 3 (System pins):</a></p> <ul style="list-style-type: none"> <li>Removed the “292PD” and 292ED” BGA ball columns.</li> <li><math>V_{SS\_LV}</math>: Added K13 and K14 for 416PD/416ED. Added M15 and M16 for 512PD/512ED.</li> <li><math>V_{DD\_LV\_BD}</math>: R1/R4 now applies only to 416ED (416PD changed to “—”). M13/N12 now applies only to 512ED (512PD changed to “—”).</li> <li>Removed <math>V_{DD\_HV\_OSC}</math> row.</li> <li>Changed <math>V_{DD\_HV\_JTAG}</math> Description to "JTAG/Oscillator power supply."</li> <li><math>V_{DDSTBY}</math>: removed "Input" from description.</li> <li>Significantly revised <math>V_{SS\_HV\_ADV\_S}</math>, <math>V_{DD\_HV\_ADV\_S}</math>, <math>V_{SS\_HV\_ADV\_D}</math>, and <math>V_{DD\_HV\_ADV\_D}</math> rows. Added rows for <math>V_{SS\_HV\_ADR\_S}</math>, <math>V_{DD\_HV\_ADR\_S}</math>, <math>V_{SS\_HV\_ADR\_D}</math>, <math>V_{DD\_HV\_ADR\_D}</math>.</li> </ul> <p><a href="#">Table 4 (LVDS pin descriptions):</a></p> <ul style="list-style-type: none"> <li>Changed title to “LVDS pin descriptions” (was “LVDSM”).</li> <li>Removed the “292 PD, 292 ED” BGA ball column.</li> <li>In the BGA ball (416 PD, 416 ED) column, added ball locations.</li> <li>In the BGA ball (512 PD, 512 ED) column, added ball locations.</li> <li>Changed SIPI_TXP to P25 for 512BGA (was T25).</li> <li>DSPI 4: Changed SCK_N to G17 for 512BGA (was G18).</li> <li>DSPI 2: Changed SIN_P to G23 for 416BGA (was D17).</li> <li>DSPI 5: For SCK_P, changed PI[15] to PF[10], G26 to J24, and P22 to W24.</li> <li>DSPI 5: For SCK_N, changed PI[15] to PF[9], J23 to K23, and R22 to W25.</li> <li>Added another pair of SIN_P/SIN_N rows for DSPI_5.</li> </ul> <p align="center"><b>Electrical characteristics—Absolute maximum ratings</b></p> <p><a href="#">Section 3.1, Introduction:</a></p> <ul style="list-style-type: none"> <li>Added <math>V_{DD\_HV\_IO\_FLEXE}</math> and <math>V_{DD\_HV\_IO\_EBI}</math> to list in supply pins note.</li> </ul> <p><a href="#">Table 7 (Parameter classifications):</a></p> <ul style="list-style-type: none"> <li>Changed Tag description for C classification to “Parameters are guaranteed. . .” (was “Those parameters are achieved. . .”)</li> <li>Changed Tag description for T classification to “Parameters are guaranteed. . .” (was “Those parameters are achieved. . .”)</li> </ul> <p><a href="#">Table 6 (Absolute maximum ratings):</a></p> <ul style="list-style-type: none"> <li>Changed <math>V_{SS}</math> to <math>V_{SS\_HV}</math>.</li> <li>Removed “<math>V_{SS} - V_{SS\_HV\_ADV}</math>” parameter row.</li> <li>Removed <math>V_{FERS}</math> row.</li> <li>Removed “<math>V_{FERS}</math> is a factory test supply pin . . .” footnote.</li> <li><math>V_{SS\_HV\_ADR}</math>: Added "Reference to <math>V_{SS\_HV}</math>" to Conditions field.</li> <li>Removed <math>V_{SS} - V_{SS\_HV\_ADR\_D}</math> and <math>V_{SS} - V_{SS\_HV\_ADR\_S}</math> rows.</li> <li>In <math>V_{DD\_HV\_IO}</math> footnote, added <math>V_{DD\_HV\_IO\_JTAG}</math> to list of power supplies to which <math>V_{DD\_HV\_IO}</math> applies.</li> <li>In ADC grounds footnote, removed <math>V_{SS\_HV\_ADV\_D2}</math>.</li> <li>In ADC supplies footnote, changed <math>V_{DD\_HV\_ADV}</math> to <math>V_{DD\_HV\_ADV\_S}</math>.</li> <li>In ADC low and high references footnote, removed <math>V_{SS\_HV\_ADR\_D2}</math> and <math>V_{DD\_HV\_ADR\_D2}</math>.</li> <li>In ADC supplies footnote, removed <math>V_{DD\_HV\_ADV\_D2}</math>.</li> </ul> <p><a href="#">Table 7 (ESD ratings):</a></p> <ul style="list-style-type: none"> <li>Changed ESD for Human Body Model (HBM) parameter classification to “T” (was SR)</li> </ul>

Table 76. Revision history (continued)

Revision	Date	Description of changes
3	3/2014	<p><b>Electrical characteristics—Electromagnetic Compatibility (EMC)</b></p> <ul style="list-style-type: none"> <li>Removed section.</li> </ul> <p><b>Electrical characteristics—Operating conditions</b></p> <p><b>Table 8 (Device operating conditions):</b></p> <ul style="list-style-type: none"> <li>V<sub>DDSTBY</sub> added new footnote: The VDDSTBY pin should be connected to ground in the application when the standby RAM feature is not used.'</li> <li>Added "Vin" specification, Min = 0V, Max = 5.5 V.</li> <li>V<sub>DD_HV_ADV</sub> changed Min value from 3.6 V to 3.7 V.</li> <li>V<sub>DD_HV_IO_MAIN</sub>, LVD400/HVD 600 disabled and LVD360/HVD600 disabled conditions: changed max to "5.5 V" (was "5.9 V").</li> <li>V<sub>DD_HV_IO_MAIN</sub>: Added footnote "V<sub>DD_HV_IO_MAIN</sub> range limited to 4.75–5.25 V when FERS = 1 to enable the fast erase time of the flash memory."</li> <li>V<sub>DD_HV_ADR_D</sub>: Changed Typ value from V<sub>DD_HV_ADV</sub> to V<sub>DD_HV_ADV_D</sub>.</li> <li>Changed "V<sub>DD_HV_ADR_D</sub>–V<sub>DD_HV_ADV</sub>" parameter to "V<sub>DD_HV_ADR_D</sub>–V<sub>DD_HV_ADV_D</sub>".</li> <li>V<sub>SS_HV_ADR_D</sub>: Changed V<sub>SS_HV_ADV</sub> to V<sub>SS_HV_ADV_D</sub>.</li> <li>Changed "V<sub>SS_HV_ADR_D</sub>–V<sub>SS_HV_ADV</sub>" parameter to "V<sub>SS_HV_ADR_D</sub>–V<sub>SS_HV_ADV_D</sub>".</li> <li>V<sub>DD_HV_ADR_S</sub>: Added typ value of V<sub>DD_HV_ADV_S</sub></li> <li>Added V<sub>SS_HV_ADR_S</sub> parameter.</li> <li>Changed "V<sub>DD_HV_ADR_S</sub>–V<sub>DD_HV_ADV</sub>" parameter to "V<sub>DD_HV_ADR_S</sub>–V<sub>DD_HV_ADV_S</sub>".</li> <li>Changed "V<sub>SS_HV_ADR_S</sub>–V<sub>SS_HV_ADV</sub>" parameter to "V<sub>SS_HV_ADR_S</sub>–V<sub>SS_HV_ADV_S</sub>".</li> <li>For V<sub>DD_HV_ADV</sub> specification, changed parameter to "SARADC, SDADC, Temperature Sensor, and Bandgap Reference supply voltage" (was SARADC and SDADC). For LVD400 disabled and LVD360 disabled conditions, referenced new footnote: "V<sub>DD_HV_ADV_S</sub> is required to be between 4.5V and 5.5V to read to read the internal Temp Sensor and Bandgap Reference."</li> <li>Changed V<sub>RAMP</sub> to V<sub>RAMP_LV</sub>, and changed parameter to "slew rate on core power supply pins".</li> <li>Added V<sub>RAMP_HV</sub> specification, parameter "Slew rate on HV power supply pins", max value 500 V/ms.</li> <li>Changed V<sub>DD_HV_IO_JTAG</sub>, V<sub>DD_HV_IO_FLEX</sub>, and V<sub>DD_HV_IO_EBI</sub> values from 4.0 V Min to 4.5 V Min, and changed "5.9 V" Max to "5.5 V" Max.</li> <li>Moved V<sub>REF_BG_T</sub>, V<sub>REF_BG_TC</sub> and V<sub>REF_BG_LR</sub> specifications from ADC pin specification table to Device operating conditions table.</li> <li>Removed footnote "Maximum frequency for the 292BGA is TBD, and may be lower due to package thermal considerations." from f<sub>SYS</sub> specification, Max value "300" MHz.</li> <li>V<sub>DD_HV_ADV</sub> changed "LVD400 disabled" condition to "LVD360 disabled" for the 3.7V-5.9 V case.</li> <li>V<sub>DD_HV_IO_FLEXE</sub> added specification.</li> <li>V<sub>STBY_BO</sub> and V<sub>DD_LV_STBY_SW</sub> removed from the Device operating conditions table and added to the DC electrical specifications table.</li> <li>V<sub>por_rel</sub> and V<sub>por_hys</sub> specifications added.</li> <li>Removed V<sub>FERS</sub> row and associated footnote.</li> </ul> <p><b>Table 9 (Emulation (buddy) device operating conditions):</b></p> <ul style="list-style-type: none"> <li>Changed V<sub>DD_LV_BD</sub> minimum value from blank to "1.2" V.</li> <li>V<sub>DD_LV_BD</sub>: Maximum changed to 1.365 V (was 1.32 V).</li> <li>Changed V<sub>RAMP_BD</sub> to V<sub>RAMP_LV_BD</sub> and added specification V<sub>RAMP_HV_BD</sub>.</li> </ul>



Table 76. Revision history (continued)

Revision	Date	Description of changes
3	3/2014	<p align="center"><b>Electrical characteristics—DC electrical specification</b></p> <p><a href="#">Table 10 (DC electrical specifications):</a></p> <ul style="list-style-type: none"> <li>• Changed footnote 11, to “The standby RAM regulator current is present on the VDDSTBY pin whenever a voltage is applied to the pin. This also applies to normal operation where the RAM is powered by the VDD_LV supply. Connecting the VDDSTBY pin to ground when not using the standby RAM feature will remove the leakage current on the VDDSTBY pin.”</li> <li>• Moved <math>V_{REF\_BG\_T}</math>, <math>V_{REF\_BG\_TC}</math> and <math>V_{REF\_BG\_LR}</math> specifications from ADC pin specification table to DC electrical specifications table.</li> <li>• Removed <math>I_{FERS}</math> row.</li> <li>• <math>V_{STBY\_BO}</math> and <math>V_{DD\_LV\_STBY\_SW}</math> removed from the Device operating conditions table and added to the DC electrical specifications table.</li> <li>• Changed <math>I_{DD\_LV}</math> maximum value to 850 mA (was 910).</li> </ul> <p align="center"><b>Electrical characteristics—DC electrical specification (con't)</b></p> <p><a href="#">Table 10 (DC electrical specifications):</a></p> <ul style="list-style-type: none"> <li>• Changed <math>I_{DD\_LV}</math> maximum value to 850 mA (was 910).</li> <li>• <math>I_{DD\_LV\_BD}</math>, changed “250” to “290” mA.</li> <li>• <math>I_{DD\_BD\_STBY}</math>, 150 °C condition, changed “120” to “230” mA.</li> <li>• <math>I_{DD\_MAIN\_CORE\_AC}</math>: Added footnote “There is an additional 25mA when FERS=1 to enable the fast erase time of the flash memory.”</li> <li>• In <math>V_{DD\_HV\_PMC}</math> availability footnote, changed “QFP” to “416 BGA” and “BGA” to “512 BGA.”</li> <li>• Revised footnote “If Aurora and JTAGM/LFAST not used, <math>V_{DD\_LV\_BD}</math> current is reduced by ~20mA.”</li> <li>• Removed silicon characterization footnote.</li> </ul> <p><a href="#">Table 12 (I/O input DC electrical characteristics):</a></p> <ul style="list-style-type: none"> <li>• <math>V_{DRFTAUT}</math> specification, conditions column, added “4.5 V &lt; <math>V_{DD\_HV\_IO}</math> &lt; 5.5 V”.</li> <li>• <math>V_{DRFTCMOS}</math> specification, added 3.0 V &lt; <math>V_{DD\_HV\_IO}</math> &lt; 3.6 V and 4.5 V &lt; <math>V_{DD\_HV\_IO}</math> &lt; 5.5 V conditions.</li> <li>• <math>I_{LKG}</math> specification, entire row revised.</li> <li>• Changed footnote 6 “in the range 4.5 V &lt; <math>V_{DD\_HV\_IO}</math> &lt; 5.9 V.” to “in the range 4.5 V &lt; <math>V_{DD\_HV\_IO}</math> &lt; 5.5 V.”</li> <li>• <math>V_{HYSAUT}</math> conditions column: replaced dash with 4.5 V &lt; <math>V_{DD\_HV\_IO}</math> &lt; 5.5 V.</li> <li>• <math>C_{IN}</math> row, changed GPIO input pins conditions Max value from “10” to “7” pF and EBI input pins Max value from “8” to “7” pF.</li> <li>• <math>I_{LKG\_EBI}</math> removed “<math>V_{in} = 10\%/90\%</math>” from parameter column.</li> </ul> <p><a href="#">Figure 18 (I/O output DC electrical characteristics definition):</a> Replaced figure.</p>

**Table 76. Revision history (continued)**

Revision	Date	Description of changes
3	3/2014	<p align="center"><b>Electrical characteristics—I/O pad specification</b></p> <p><a href="#">Table 13 (I/O pull-up/pull-down DC electrical characteristics)</a>:</p> <ul style="list-style-type: none"> <li>• <math>I_{WPU}</math>, <math>I_{WPD}</math>: substantially revised these specifications.</li> </ul> <p><a href="#">Table 14</a>, <a href="#">Table 15</a>, <a href="#">Table 16</a>, <a href="#">Table 17</a>:</p> <ul style="list-style-type: none"> <li>• Added footnote to “C” classification header: “Once device characterization is correlated to production I/O testing, the test classification of output resistance parameters may be subject to change in future revisions of this document.”</li> <li>• <math>R_{OH\_W}</math>, <math>R_{OL\_W}</math>, <math>R_{OH\_M}</math>, <math>R_{OL\_M}</math>, <math>R_{OH\_S}</math>, <math>R_{OL\_S}</math>, <math>R_{OH\_V}</math>, <math>R_{OL\_V}</math>: Changed classification to C (was P).</li> <li>• Removed all VSIO conditions (<math>VSIO[VSIO\_xx] = 1</math> and <math>VSIO[VSIO\_xx] = 0</math>) from conditions column and added footnote: “All <math>V_{DD\_HV\_IO}</math> conditions for 4.5 V to 5.9 V are valid for <math>VSIO[VSIO\_xx] = 1</math>, and all specifications for 3.0 V to 3.6 V are valid for <math>VSIO[VSIO\_xx] = 0</math>.”</li> <li>• Removed <math>T_{PHL/PLH}</math> specification from WEAK, MEDIUM, and STRONG configuration output buffer electrical characteristics.</li> <li>• Removed characterization and validation footnotes (total 2) for each table.</li> </ul> <p><a href="#">Table 14</a>, <a href="#">Table 15</a>, <a href="#">Table 16</a>:</p> <ul style="list-style-type: none"> <li>• <math>R_{OH}</math>, <math>R_{OL}</math>, <math>t_{TR}</math>: Changed 5.9 V conditions to 5.5 V.</li> </ul> <p><a href="#">Table 15</a>, <a href="#">Table 16</a>, <a href="#">Table 17</a>:</p> <ul style="list-style-type: none"> <li>• Added <math>t_{TPD10-90}</math> specification.</li> </ul> <p><a href="#">Table 16</a>, <a href="#">Table 17</a>:</p> <ul style="list-style-type: none"> <li>• In footnotes, changed 5.9 V to 5.5 V.</li> </ul> <p><a href="#">Table 18 (EBI pad output electrical specification)</a>:</p> <ul style="list-style-type: none"> <li>• Replaced this table “EBI output driver electrical characteristics” with new table “EBI pad electrical specification”.</li> </ul> <p><a href="#">Table 19 (I/O consumption)</a>:</p> <ul style="list-style-type: none"> <li>• <math>I_{RMS\_EBI}</math>: In Conditions column, changed 66MHz references to 66.7MHz. Removed <math>C_{DRV} = 6</math> pF condition row.</li> <li>• <math>I_{DYN\_EBI}</math>: revised specification.</li> </ul> <p align="center"><b>Electrical characteristics—I/O pad current specification</b></p> <p><a href="#">Section 3.7, I/O pad current specification</a>: Changed the first note: from “In order to ensure correct functionality for SENT, the sum of all pad usage ratio within the SENT segment should remain below 50%.” to “In order to maintain the required input thresholds for the SENT interface, the sum of all I/O pad output percent IR drop as defined in the I/O Signal Description table, must be below 50 %. See the I/O Signal Description attachment.”</p> <p align="center"><b>Electrical characteristics—Reset pad (PORST, ESR0) electrical characteristics</b></p> <p><a href="#">Table 20 (Reset electrical characteristics)</a>:</p> <ul style="list-style-type: none"> <li>• <math> I_{WPU} </math> parameter, changed Min value from “25” to “23” and Max value from “100” to “82” <math>\mu</math>A.</li> <li>• <math> I_{WPD} </math> parameter, changed Min value from “25” to “40” and Max value from “100” to “130” <math>\mu</math>A.</li> </ul>

Table 76. Revision history (continued)

Revision	Date	Description of changes
3	3/2014	<p style="text-align: center;"><b>Electrical characteristics—Oscillator and FMPLL</b></p> <p><a href="#">Section 3.12, Oscillator and FMPLL</a></p> <ul style="list-style-type: none"> <li>Updated text to reflect that there is one FMPLL on the chip.</li> </ul> <p><a href="#">Table 22 (PLL1 electrical characteristics)</a></p> <ul style="list-style-type: none"> <li><math>f_{PLL1PHI}</math> parameter, changed Max freq from “200” MHz to “600” MHz.</li> <li>First footnote, changed “FXOSC” to “XOSC”.</li> </ul> <p><a href="#">Table 23 (External Oscillator electrical specifications):</a></p> <ul style="list-style-type: none"> <li>Added footnote to both <math>V_{IHEXT}</math> and <math>V_{ILEXT}</math> parameter column “Applies to an external clock input and not to crystal mode”.</li> <li>Added footnote to <math>V_{ILEXT}</math> parameter column “This parameter is guaranteed by design rather than 100% tested.”</li> <li><math>V_{ILEXT}</math> parameter, changed “External Reference” to “External Clock Input”.</li> <li>Combined <math>C_{S\_XTAL}</math> and <math>C_{S\_EXTAL}</math> parameters into one specification <math>C_{S\_xtal}</math>, updated Min and Max values and removed the “BG292” condition.</li> </ul> <p><a href="#">Table 24 (Selectable load capacitance):</a></p> <ul style="list-style-type: none"> <li>Removed last 16 rows “10000” to “11111”.</li> <li>Changed footnote 2 from “Values in this table do not include 8 pF routing and ESD structure on die and package trace capacitance.” to “Values in this table do not include the die and package capacitances given by <math>C_{s\_xtal}/C_{s\_extal}</math> in <a href="#">Table 23 (External Oscillator electrical specifications)</a>.”</li> <li><a href="#">Table 25 (Internal RC Oscillator electrical specifications):</a> <math>\delta f_{var\_SW}</math> parameter added footnote “IRC software trimmed accuracy is performed either with the CMU_0 clock monitor, using the XOSC as a reference or through the CCCU (CAN clock control Unit), extracting reference clock from CAN master clock. Software trim must be repeated as the device operating temperature varies in order to maintain the specified accuracy.”</li> </ul> <p style="text-align: center;"><b>Electrical characteristics—ADC specifications</b></p> <p><a href="#">Table 36 (ADC pin specification):</a></p> <ul style="list-style-type: none"> <li><math>I_{LK\_INUD}</math>, <math>I_{LK\_INUSD}</math>, <math>I_{LK\_INREF}</math>, <math>I_{LK\_INOUT}</math>: Removed footnote “Leakage current is a parameter potentially showing variation with process maturity. This table is based on current process model, and will be validated when preliminary silicon data of ADC modules and I/O module is available.”</li> <li>Parameter <math>I_{LK\_INOUT}</math> description column, changed “MEDIUM” output buffer with “GPIO” output buffer.</li> </ul> <p><a href="#">Table 27 (SARn ADC electrical specification):</a></p> <ul style="list-style-type: none"> <li>Added new condition for “<math>\Delta V_{PRECH}</math>” - “<math>V_{PRECH} = V_{DD\_HV\_ADR}/2</math> <math>T_J &lt; 150</math> °C <math>CTR_n[PRECHG] &gt; 2</math>”</li> <li><math>I_{ADCREFL}</math> specification: added <math>V_{DD\_HV\_ADR\_S} \leq 5.5</math> V to all modes in condition column.</li> <li><math>D_{NL}</math>, “Differential non-linearity” parameter, conditions column, replaced “—” with “<math>V_{DD\_HV\_ADV} &gt; 4V</math>, <math>V_{DD\_HV\_ADR\_S} &gt; 4V</math>”.</li> <li><math>I_{NL}</math>: Conditions column, first row, removed <math>T_J &lt; 150C</math> and added <math>4.0V &lt; V_{DD\_HV\_ADV\_S} &lt; 5.5V</math>. Conditions column, second row, removed <math>T_J &lt; 150C</math> and added <math>V_{DD\_HV\_ADV\_S} = 2V</math>.</li> </ul>

Table 76. Revision history (continued)

Revision	Date	Description of changes
3	3/2014	<p style="text-align: center;"><b>Electrical characteristics—ADC specifications (con't)</b></p> <p><b>Table 28 (SDn ADC electrical specification):</b></p> <ul style="list-style-type: none"> <li>Removed the <math>I_{LK\_IN}</math> specification from table.</li> <li>For <math>SNR_{DIFF150}</math>, <math>SNR_{DIFF333}</math>, and <math>SNR_{SE150}</math> specifications, added reference to “S/D ADC is functional in the range <math>3.0\text{ V} &lt; VDD\_HV\_ADR\_D</math>, <math>4.0\text{ V} \dots</math>” footnote.</li> <li>Moved <math>V_{REF\_BG\_T}</math>, <math>V_{REF\_BG\_TC}</math> and <math>V_{REF\_BG\_LR}</math> specifications from ADC pin specification table to Device operating table.</li> <li>Removed <math>I_{BG}</math> specification as it is already provided in the DC electrical table.</li> <li>Maximum value of parameter “GAIN” changed from “16” to “15”</li> </ul> <p><b>Table 28 (SDn ADC electrical specification):</b></p> <ul style="list-style-type: none"> <li>Changed footnote from “The <math>\pm 1\%</math> passband ripple specification is equivalent to <math>20 * \log_{10}(0.99) = 0.87\text{ dB}</math>.” to “The <math>\pm 1\%</math> passband ripple specification is equivalent to <math>20 * \log_{10}(0.99) = 0.087\text{ dB}</math>.”</li> <li>Max value of <math>\delta_{GROUP}</math> modified for all values of OSR.</li> <li><math>t_{LATENCY}</math>, <math>t_{SETTLING}</math> and <math>t_{ODRECOVERY}</math>: “HPF = ON” and “HPF = OFF” conditions added. New max values.</li> <li>Added SINAD and THD specifications.</li> <li>RESOLUTION specification, added footnote “When using a GAIN setting of 16, the conversion result will always have a value of zero in the least significant bit. The gives an effective resolution of 15 bits.”</li> <li><math> \delta_{GAIN} </math> specification, changed Max value from “1” % to “1.5” %, “0.1” % to “5” mV, “0.25” % to “7.5” mV, and “0.5 %” to “10” mV”.</li> <li>VOFFSET specification, added 3 “After calibration” conditions, <math>\Delta VDD\_HV\_ADR\_D &lt; 5\%</math> <math>\Delta VDD\_HV\_ADV\_D &lt; 10\%</math> <math>\Delta T_J &lt; 50\text{ }^\circ\text{C}</math>, Max value of “5” mV, <math>\Delta VDD\_HV\_ADR\_D &lt; 5\%</math> <math>\Delta VDD\_HV\_ADV\_D &lt; 10\%</math> <math>\Delta T_J &lt; 100\text{ }^\circ\text{C}</math>, Max value of “7.5” mV and “After calibration” conditions, <math>\Delta VDD\_HV\_ADR\_D &lt; 5\%</math> <math>\Delta VDD\_HV\_ADV\_D &lt; 10\%</math> <math>\Delta T_J &lt; 150\text{ }^\circ\text{C}</math>, Max value of “10” mV.</li> <li>Changed all SNR specification “Unit”s from “dB” to “dBFS”.</li> <li>Changed SFDR specification “Unit” from “dB” to “dBc”.</li> <li><math>Z_{IN}</math> specification, changed footnote to “Input impedance is valid over the full input frequency range. Input impedance is calculated in megaohms by the formula <math>25.6 / (\text{Gain} * f_{ADCD\_M})</math>.”</li> <li>Common mode rejection ratio parameter changed symbol from “—” to “<math>V_{cmrr}</math>”.</li> <li>Anti-aliasing filter parameter, changed symbol “—” to “<math>R_{Caaf}</math>”.</li> <li>Stop band attenuation parameter, changed symbol “—” to “<math>F_{rolloff}</math>”.</li> <li>Changed footnote in 13 “full input range (specified by <math>V_{in}</math>)” to “full input frequency range.”</li> <li>Changed in footnote 15 “0.873” dB to “0.087” dB.</li> <li><math>f_{ADCD\_M}</math>, changed “S/D clock 3(4)” to “S/D Modulator Input Clock” and replaced “—” with “4” in Min column.</li> <li><math>f_{ADCD\_S}</math> changed “conversion rate” to “output conversion rate”.</li> </ul>

Table 76. Revision history (continued)

Revision	Date	Description of changes
3	3/2014	<p align="center"><b>Electrical characteristics—LFAST electrical specifications</b></p> <p><a href="#">Table 30 (LVDS pad startup and receiver electrical characteristics,):</a></p> <ul style="list-style-type: none"> <li>• <math> \Delta_{VI} </math> specification, Differential input voltage parameter, added footnote 12 “The LXRXP[0] bit in the LFAST LVDS Control Register (LCR) must be set to one to ensure proper LFAST receive timing.”</li> </ul> <p><a href="#">Table 31 (LFAST transmitter electrical characteristics,):</a></p> <ul style="list-style-type: none"> <li>• <math> V_{OD} </math>: removed the delta from symbol. Changed values to Min = 110, Typ = 171, Max = 285 and removed the “+/-” from each value.</li> <li>• <math>t_{TR}</math>: changed “(10%–90% of swing)” to “(absolute value of the differential output voltage swing).”</li> </ul> <p><a href="#">Table 32 (MSC/DSPI LVDS transmitter electrical characteristics ,):</a></p> <ul style="list-style-type: none"> <li>• <math> V_{OD} </math>: removed the delta from symbol. Changed values to Min = 150, Typ = 214, Max = 400 and removed the “+/-” from each value.</li> <li>• <math>t_{TR}</math>: Changed “(10%–90% of swing)” to “(absolute value of the differential output voltage swing).”</li> </ul> <p><a href="#">Table 33 (LFAST PLL electrical characteristics):</a></p> <ul style="list-style-type: none"> <li>• <math> \Delta_{VI} </math> specification, Differential input voltage parameter, added footnote 12 “The LXRXP[0] bit in the LFAST LVDS Control Register (LCR) must be set to one to ensure proper LFAST receive timing.”</li> </ul> <p><a href="#">Table 32 (MSC/DSPI LVDS transmitter electrical characteristics ,), Rise/Fall time parameter:</a></p> <ul style="list-style-type: none"> <li>• Changed “(10%–90% of swing)” to (absolute value of the differential output voltage swing).</li> </ul> <p><a href="#">Table 33 (LFAST PLL electrical characteristics):</a></p> <ul style="list-style-type: none"> <li>• Changed footnote 2, from “320” to “640” MHz frequency.</li> </ul> <p align="center"><b>Electrical characteristics—Aurora LVDS electrical characteristics</b></p> <p><a href="#">Table 34 (Aurora LVDS electrical characteristics,):</a></p> <ul style="list-style-type: none"> <li>• Removed <math>V_{DD\_HV\_IO\_BD}</math> and <math>V_{DD\_LV}</math> specifications as they are supplied in the device operating conditions table.</li> <li>• Changed “<math>C_{AC}</math>” specification name to “<math>C_{ac\_clk}</math>”.</li> <li>• Added specification “<math>C_{ac\_tx}</math>”.</li> </ul>

**Table 76. Revision history (continued)**

Revision	Date	Description of changes
3	3/2014	<p><b>Electrical characteristics—Power management: PMC, POR/LVD, sequencing</b></p> <p><b>Figure 20 (Recommended supply pin circuits):</b></p> <ul style="list-style-type: none"> <li>For VDD_LV supply: Changed "nxClv" to "Clv."</li> </ul> <p><b>Table 35 (Device power supply integration):</b></p> <ul style="list-style-type: none"> <li>C<sub>HV_IO</sub> removed footnote.</li> <li>C<sub>HV_FL A</sub> parameter, added footnote "Start-up time of the internal flash regulator from release of the LVD360 is worst case 500 us. This is based on the typical CHV_FL A bulk capacitance value."</li> <li>C<sub>LV</sub>: Changed the 3 for Bypass capacitance at pin to "Note3." Changed parameter "Bypass capacitance at pin" to "Total bypass capacitance at external pin."</li> <li>Significantly revised C<sub>HV_PMC_BYP</sub>, including changing spec name to C<sub>HV_PMC</sub>, min value to 2.2 μF (was 200 nF), and typ value to 4.7 μF (was "—"). Added footnote "For noise filtering it is recommended to add a high frequency bypass capacitance of 0.1 μF between VDD_HV_PMC and VSS_HV."</li> </ul> <p><b>Table 36 (Flash power supply):</b></p> <ul style="list-style-type: none"> <li>V<sub>DD_HV_FL A</sub>, after trimming, Min value "3.2" changed to "3.15". Added two notes.</li> <li>Removed I<sub>REG_FL A</sub> specification.</li> </ul> <p><b>Table 39 (Functional terminals state during power-up and reset):</b></p> <ul style="list-style-type: none"> <li>Changed "TRST" to "JCOMP."</li> </ul>

Table 76. Revision history (continued)

Revision	Date	Description of changes
3	3/2014	<p><b>Electrical characteristics—Device voltage monitoring electrical characteristics</b></p> <p><a href="#">Table 37 (Voltage monitor electrical characteristics):</a></p> <ul style="list-style-type: none"> <li>• <math>V_{PORUP\_LV}</math> Rising voltage (power up) condition, changed Min value “1040” to “1111” and Max value “1180” to “1235”.</li> <li>• <math>V_{PORUP\_LV}</math> Falling voltage (power down) condition, changed Min value “960” to “1015” and Max value “1100” to “1125”. Added footnote.</li> <li>• <math>V_{LVD096}</math> “960” to “1015” and Max value “1100” to “1145”.</li> <li>• <math>V_{LVD108}</math> changed Min value “1080” to “1125” and Max value “1140” to “1235”.</li> <li>• <math>V_{LVD112}</math> changed Min value “1110” to “1175” and Max value “1180” to “1235”.</li> <li>• <math>V_{HVD140}</math> changed Min value “1320” to “1385” and Max value “1440” to “1475”.</li> <li>• Added new specification <math>V_{HVD145}</math>.</li> <li>• Added “HVD140 does not cause reset” at end of footnote “HVD is released after <math>t_{VDRELEASE}</math> temporization when lower threshold is crossed, HVD is asserted <math>t_{VDASSERT}</math> after detection when upper threshold is crossed.”</li> <li>• <math>JV_{PORUP\_HV}</math>, added footnote “the PMC supply also needs to be below 5472 mV (untrimmed HVD600)”. Added new conditions: Rising voltage (power up) on IO JTAG, and Osc supply, Rising voltage (power up) on ADC supply, and Hysteresis on Power-up.</li> <li>• <math>V_{PORUP\_HV}</math>: Changed Falling voltage (power down) minimum value to “2850” (was “2680”) and maximum value to 3162 (was “2980”).</li> <li>• Revised Falling voltage footnote to read “Untrimmed LVD300_A will be asserted first on power down” (was “Assume all LVDs except LVD270 on HV supplies disabled”).</li> <li>• <math>V_{LVD295}</math> Rising voltage condition changed Max value “3100” to “3120”.</li> <li>• <math>V_{LVD295}</math> Falling voltage condition changed Min value “2950” to “2920” and Max value “3080” to “3100”.</li> <li>• <math>V_{HVD360}</math> Rising voltage condition changed Min value “3420” to “3435” and Max value “3610” to “3650”.</li> <li>• <math>V_{HVD360}</math> Falling voltage condition changed Min value “3400” to “3415”.</li> </ul> <p><b>Electrical characteristics—Flash memory electrical characteristics</b></p> <p><a href="#">Section 3.15, Flash memory electrical characteristics:</a></p> <ul style="list-style-type: none"> <li>• This section completely revised.</li> </ul> <p><b>Electrical characteristics—AC specifications—Debug and Calibration</b></p> <p><a href="#">Table 46 (JTAG pin AC electrical characteristics):</a></p> <ul style="list-style-type: none"> <li>• Added footnote “JTAG timing specified at <math>V_{DD\_HV\_IO\_JTAG} = 4.0\text{ V to }5.5\text{ V}</math>, and maximum loading per pad type as specified in the I/O section of the data sheet.”</li> </ul> <p><a href="#">Table 47 (Nexus debug port timing)</a></p> <ul style="list-style-type: none"> <li>• Footnote 1 changed to “Nexus timing specified at <math>V_{DD\_HV\_IO\_JTAG} = 4.0\text{ V to }5.5\text{ V}</math>, and maximum loading per pad type as specified in the I/O section of the data sheet.”</li> <li>• Changed “TDI” to “TDI/TDIC,” “TMS” to “TMS/TMSC,” and “TDO” to “TDO/TDOC.”</li> </ul> <p><a href="#">Figure 27 (Nexus TDI/TDIC, TMS/TMSC, TDO/TDOC timing):</a></p> <ul style="list-style-type: none"> <li>• Changed “TDI” to “TDI/TDIC,” “TMS” to “TMS/TMSC,” and “TDO” to “TDO/TDOC.”</li> </ul>

**Table 76. Revision history (continued)**

Revision	Date	Description of changes
3	3/2014	<b>Electrical characteristics—AC specifications—Fast Ethernet Controller (FEC)</b>
		<p><a href="#">Table 61 (MII serial management channel timing):</a></p> <ul style="list-style-type: none"> <li>Added footnote to “Value” column: “Output parameters are valid for <math>C_L = 25</math> pF, where <math>C_L</math> is the external load to the device. The internal package capacitance is accounted for, and does not need to be subtracted from the 25 pF value.”</li> </ul> <p><a href="#">Table 63 (RMII transmit signal timing,):</a></p> <ul style="list-style-type: none"> <li>Added footnote to “Value” column “Output parameters are valid for <math>C_L = 25</math> pF, where <math>C_L</math> is the external load to the device. The internal package capacitance is accounted for, and does not need to be subtracted from the 25 pF value.”</li> <li>Added footnote to table title: “RMII timing is valid only up to a maximum of 150 °C junction temperature.”</li> </ul>
		<b>Electrical characteristics—AC specifications—FlexRay</b>
		<p><a href="#">Section 3.16.4, FlexRay timing:</a></p> <ul style="list-style-type: none"> <li>Removed reference to “292 MAPBGA”.</li> <li>Removed “. . . and subject to change per the final timing analysis of the device” from FlexRay specification sentence.</li> </ul> <p><a href="#">Table 66 (RxD input characteristics):</a></p> <ul style="list-style-type: none"> <li>Added footnote: “FlexRay RxD timing is valid for all input levels and hysteresis disabled.”</li> </ul>
		<b>Electrical characteristics—AC specifications—EBI</b>
		<p><a href="#">Table 69 (Bus Operation Timing):</a></p> <ul style="list-style-type: none"> <li>Changed bus frequency in table heading to “66.7 MHz” (was “66 MHz”).</li> <li>Footnote 1, added “with DSC = 0b10 for ADDR/CTRL and DSC = 0b11 for CLKOUT/DATA.”</li> <li>Footnote 3, changed “[Clock Register TBD]” TO “CGM_SC_DC4 register”.</li> <li>Footnote 4, changed “VDDE” to “VDD_HV_IO_EBI or VDD_HV_IO_FLEXE.”</li> <li>Spec 5, Characteristic column, added “ADDR[8:11]/WE[0:3]/BE[0:3],” “BDIP,” and overbar on CS, OE, and TS. Changed “ADDR[8:31]” to “ADDR[12:31].”</li> <li>Spec 6, Characteristic column, added “ADDR[8:11]/WE[0:3]/BE[0:3],” “BDIP,” overbar on CS, OE, TS, and footnote “One wait state must be added to the output signal valid delay for external writes.” Changed “ADD[8:31]” to “ADDR[12:31].”</li> <li>Spec 7, change Min value from “6.0” to “7.0” ns.</li> <li>Spec 8, Characteristic column, changed to “DATA[0:31]”.</li> <li>Removed cut 1 footnotes associated with output delay and setup time (total 2).</li> </ul> <p><a href="#">Figure 50 (D_CLKOUT Timing)</a></p> <p><a href="#">Figure 51 (Synchronous Output Timing)</a></p> <p><a href="#">Figure 52 (Synchronous Input Timing):</a></p> <ul style="list-style-type: none"> <li>Changed “VDDE” to “VDD_HV_IO_EBI” throughout.</li> </ul>
		<b>Electrical characteristics—AC specifications—I2C</b>
		<p><a href="#">Section 3.16.8, “I2C timing:</a></p> <p>New section.</p>
		<b>Electrical characteristics—AC specifications—GPIO delay</b>
		<p><a href="#">Section 3.19.10, GPIO delay timing</a></p> <ul style="list-style-type: none"> <li>New section</li> </ul>



Table 76. Revision history (continued)

Revision	Date	Description of changes
3	3/2014	<b>Package characteristics</b>
		<p><a href="#">Section 4, Package characteristics</a>:</p> <ul style="list-style-type: none"> <li>Removed the “292 MAPBGAcase drawing” figures.</li> <li><a href="#">Table 73 (Package case numbers)</a>: Removed the 292MAPBGA row.</li> </ul>
		<b>Electrical characteristics—Thermal Characteristics</b>
		<p><a href="#">Table 74 (Thermal characteristics)</a>:</p> <ul style="list-style-type: none"> <li>Removed “292 Value” column.</li> </ul>
		<b>Ordering Information</b>
		<p><a href="#">Table 75 (Orderable part number summary)</a></p> <ul style="list-style-type: none"> <li>Changed Freescale part numbers: 416 MAPBGA PD to TEPBGA “PPC5777MK0MVU8A” (was PPC5777MQK0MVU8), 512 TEPBGA PD to “PPC5777MK0MVA8A” (was PPC5777MQK0MVA8), 416 MAPBGA ED to TEPBGA “PPC5777M2K0MVU8A” (was PPC5777M2K0MVU8), and 512 TEPBGA ED to “PPC5777M2K0MVA8A” (was PPC5777M2K0MVA8)</li> <li>Removed KGD and Production PD rows.</li> <li>Removed “Flash/SRAM,” “Emulation RAM,” and “Frequency” columns.</li> </ul> <p><a href="#">Figure 61 (Product code structure)</a>:</p> <ul style="list-style-type: none"> <li>Package Code, added “VA = 512 TEPBGA Pb-Free”.</li> <li>Package Code, added “VU = 416 TEPBGA Pb-Free”.</li> <li>Miscellaneous, added “2 = Emulation Device”.</li> <li>Changed “Tape and Reel” to “Suffix” and added “A = cut2.0 revision”.</li> <li>In “Fab and Mask Revision” codes, changed “K = TBD” to “K = TSMC.”</li> </ul>
4	9/2014	<b>Throughout</b>
		<ul style="list-style-type: none"> <li>Removed parameter classifications from specification tables.</li> <li>Editorial changes and improvements.</li> </ul>
		<b>Introduction</b>
		<ul style="list-style-type: none"> <li>In <a href="#">Figure 1 (Block diagram)</a>, added “LFAST &amp; SIPI” block to 50 MHz concentrator.</li> <li>In <a href="#">Figure 2 (Periphery allocation)</a>, changed block to “2 x SIPI” (was “SIPI_0”) and removed double arrow on its right side.</li> </ul>
		<b>Electrical characteristics—Operating conditions</b>
		<ul style="list-style-type: none"> <li>Extensive revisions to <a href="#">Table 8 (Device operating conditions)</a>.</li> </ul>

**Table 76. Revision history (continued)**

Revision	Date	Description of changes
4	9/2014	<p style="text-align: center;"><b>Electrical characteristics—DC electrical specification</b></p> <ul style="list-style-type: none"> <li>• In <a href="#">Section 3.1, Introduction</a>, added the following to note text: "V<sub>DD_HV_ADV</sub> refers to ADC supply pins V<sub>DD_HV_ADV_S</sub> and V<sub>DD_HV_ADV_D</sub>. V<sub>DD_HV_ADR</sub> refers to ADC reference pins V<sub>DD_HV_ADR_S</sub> and V<sub>DD_HV_ADR_D</sub>. V<sub>SS_HV_ADV</sub> refers to ADC ground pins V<sub>SS_HV_ADV_S</sub> and V<sub>SS_HV_ADV_D</sub>. V<sub>SS_HV_ADR</sub> refers to ADC reference pins V<sub>SS_HV_ADR_S</sub> and V<sub>SS_HV_ADR_D</sub>."</li> <li>• In <a href="#">Table 10 (DC electrical specifications)</a>, changed I<sub>DD_HV_PMC</sub> maximum for PMC only condition (was 5 mA, is 25 mA). Added "This includes PMC consumption, LFAST PLL regulator current, and Nwell bias regulator current" to footnote associated with this value.</li> <li>• In <a href="#">Table 10 (DC electrical specifications)</a>, changed I<sub>DD_LV</sub> maximum to 1140 mA (was 600 mA) and added "V<sub>DD_LV</sub> = 1.325 V" to conditions.</li> <li>• In <a href="#">Table 10 (DC electrical specifications)</a>, added I<sub>DDAPP_LV</sub> specification.</li> <li>• In <a href="#">Table 10 (DC electrical specifications)</a>, changed the conditions for I<sub>DDSTBY_RAM</sub> and I<sub>DDSTBY_REG</sub> (were "...to 6 V...", are "...to 5.5 V...").</li> <li>• In <a href="#">Table 10 (DC electrical specifications)</a>, I<sub>DDSTBY_RAM</sub> specification: changed max value for 40°C condition to 60 µA (was 40). Changed max value for 85°C condition to 100 µA (was 60).</li> <li>• In <a href="#">Table 10 (DC electrical specifications)</a>, V<sub>STBY_BO</sub> specification: changed min value to 0.9 V (was 0.8).</li> </ul> <p style="text-align: center;"><b>Electrical characteristics—I/O pad current specification</b></p> <ul style="list-style-type: none"> <li>• <a href="#">Table 12 (I/O input DC electrical characteristics)</a>, <a href="#">Table 13 (I/O pull-up/pull-down DC electrical characteristics)</a>, <a href="#">Table 14 (WEAK configuration output buffer electrical characteristics)</a>, <a href="#">Table 15 (MEDIUM configuration output buffer electrical characteristics)</a>, <a href="#">Table 16 (STRONG configuration output buffer electrical characteristics)</a>, <a href="#">Table 17 (VERY STRONG configuration output buffer electrical characteristics)</a>, <a href="#">Table 19 (I/O consumption)</a> added the following footnote to Conditions heading: "During power up operation, the minimum required voltage to come out of reset state is determined by the V<sub>PORUP_HV</sub> monitor, which is defined in the voltage monitor electrical characteristics table. Note that the V<sub>PORUP_HV</sub> monitor is connected to the V<sub>DD_HV_IO_MAIN0</sub> physical I/O segment."</li> <li>• <a href="#">Table 12 (I/O input DC electrical characteristics)</a>: V<sub>HYSTTL</sub> specification: changed min value to 0.275 (was 0.3). V<sub>HYSAUT</sub> specification: changed min value to 0.4 (was 0.5).</li> <li>• <a href="#">Table 12 (I/O input DC electrical characteristics)</a>, changed V<sub>IHCMOS_H</sub> min value to "0.70 * V<sub>DD_HV_IO</sub>" (was 0.65 * V<sub>DD_HV_IO</sub>).</li> <li>• In <a href="#">Table 12 (I/O input DC electrical characteristics)</a>, changed V<sub>IHAUT</sub> min value to 3.9 V (was 3.8).</li> <li>• <a href="#">Table 12 (I/O input DC electrical characteristics)</a>, revised I<sub>LKG</sub> and I<sub>LKG_EBI</sub> rows.</li> </ul>

Table 76. Revision history (continued)

Revision	Date	Description of changes
4	9/2014	<p style="text-align: center;"><b>Electrical characteristics—I/O pad current specification</b></p> <ul style="list-style-type: none"> <li>• <a href="#">Table 14 (WEAK configuration output buffer electrical characteristics)</a>, <math>R_{OH\_W}</math> and <math>R_{OL\_W}</math>: changed min value to 517 (was 560) and max value to 1052 (was 1040).</li> <li>• <a href="#">Table 15 (MEDIUM configuration output buffer electrical characteristics)</a>, <math>R_{OH\_M}</math> and <math>R_{OL\_M}</math>: changed min value to 135 (was 140).</li> <li>• <a href="#">Table 16 (STRONG configuration output buffer electrical characteristics)</a>, <math>R_{OH\_S}</math> and <math>R_{OL\_S}</math>: changed min value to 30 (was 35) and max value to 77 (was 65).</li> <li>• <a href="#">Table 17 (VERY STRONG configuration output buffer electrical characteristics)</a>, revised <math>R_{OH\_V}</math> and <math>R_{OL\_V}</math> conditions.</li> <li>• <a href="#">Table 17 (VERY STRONG configuration output buffer electrical characteristics)</a>, <math>R_{OH\_V}</math> and <math>R_{OL\_V}</math>: changed max values to 72 (was 60) and 90 (was 75).</li> <li>• <a href="#">Table 18 (EBI pad output electrical specification)</a>, <math>R_{OH\_EBI\_GPIO}</math> and <math>R_{OL\_EBI\_GPIO}</math>: changed max value to 400 (was 260).</li> <li>• In <a href="#">Table 18 (EBI pad output electrical specification)</a>: <math>V_{IHCMS\_H\_EBI}</math> specification: changed max value to "<math>V_{DD\_HV\_IO\_EBI} + 0.3</math>" (was "<math>V_{DD\_HV\_IO} + 0.3</math>"). <math>R_{OH\_EBI\_GPIO}</math> specification: changed condition to "<math>4.5\text{ V} &lt; V_{DD\_HV\_IO\_EBI} &lt; 5.5\text{ V}</math>" (was "<math>3.0\text{ V} &lt; V_{DD\_HV\_IO} &lt; 3.6\text{ V}</math>"). <math>R_{OL\_EBI\_GPIO}</math> specification: changed condition to "<math>4.5\text{ V} &lt; V_{DD\_HV\_IO\_EBI} &lt; 5.5\text{ V}</math>" (was "<math>3.0\text{ V} &lt; V_{DD\_HV\_IO} &lt; 3.6\text{ V}</math>").</li> </ul> <p style="text-align: center;"><b>Electrical characteristics—Oscillator and FMPLL</b></p> <ul style="list-style-type: none"> <li>• In <a href="#">Table 23 (External Oscillator electrical specifications)</a>, deleted the transconductance specification (<math>g_m</math>).</li> </ul> <p style="text-align: center;"><b>Electrical characteristics—ADC specifications</b></p> <ul style="list-style-type: none"> <li>• <a href="#">Table 26 (ADC pin specification)</a>, <math>I_{LK\_INUD}</math> specification: changed <math>T_J &lt; 40\text{ °C}</math> condition max value to 50 nA (was 70). Changed <math>T_J &lt; 150\text{ °C}</math> condition max value to 150 nA (was 220).</li> <li>• In <a href="#">Table 27 (SARn ADC electrical specification)</a>: added condition rows for full and fast precharge to <math>t_{ADCPRECH}</math>, revised condition entries for <math>\Delta V_{PRECH}</math>.</li> <li>• In <a href="#">Table 28 (SDn ADC electrical specification)</a>, changed the max value for <math>t_{LATENCY}</math> at HPF = OFF (was <math>2 \cdot \delta_{GROUP}</math>, is <math>\delta_{GROUP}</math>).</li> <li>• In <a href="#">Table 28 (SDn ADC electrical specification)</a>, changed the max value for GAIN (was 15, is 16).</li> <li>• <a href="#">Table 28 (SDn ADC electrical specification)</a>, <math>SNR_{SE150}</math>: changed GAIN=1 min value to 72 (was 74), GAIN=2 min value to 69 (was 71), GAIN=4 min value to 66 (was 68), GAIN=8 min value to 63 (was 65), and GAIN=16 min value to 60 (was 62).</li> <li>• <a href="#">Table 28 (SDn ADC electrical specification)</a>, <math>\delta_{GROUP}</math> specification: changed OSR = 75 max value to 696 Tclk (was 746), changed OSR = 96 max value to 946.5 Tclk (was 946.4).</li> <li>• In <a href="#">Table 28 (SDn ADC electrical specification)</a>, added footnote to parameter column for <math>t_{LATENCY}</math>.</li> </ul> <p style="text-align: center;"><b>Electrical characteristics—Power management: PMC, POR/LVD, sequencing</b></p> <ul style="list-style-type: none"> <li>• In <a href="#">Section 3.16, Power management: PMC, POR/LVD, sequencing</a>, replaced PMC operating conditions and external regulators supply voltage table with a cross reference to <a href="#">Table 8 (Device operating conditions)</a>.</li> <li>• In <a href="#">Table 35 (Device power supply integration)</a>, changed minimum <math>V_{DD\_LV}</math> external capacitance footnote to "variation over voltage, temperature, and aging" (was "variation over process, voltage, temperature, and aging.")</li> <li>• In <a href="#">Table 36 (Flash power supply)</a>, revised table footnotes and added new "After trimming; <math>25\text{ °C} &lt; T_J \leq 150\text{ °C}</math>" condition to <math>V_{DD\_HV\_FLA}</math>.</li> </ul>

Table 76. Revision history (continued)

Revision	Date	Description of changes
4	9/2014	<b>Electrical characteristics—Device voltage monitoring electrical characteristics</b>
		<ul style="list-style-type: none"> <li>In <a href="#">Table 37 (Voltage monitor electrical characteristics)</a>, revised the entries for <math>V_{LVD108}</math> and <math>V_{LVD145}</math>.</li> </ul>
		<b>Electrical characteristics—Flash memory electrical characteristics</b>
		<ul style="list-style-type: none"> <li>Multiple changes throughout <a href="#">Section 3.15, Flash memory electrical characteristics</a>.</li> </ul>
		<b>Electrical characteristics—AC specifications—GPIO delay</b>
		<ul style="list-style-type: none"> <li>In <a href="#">Table 72</a>, changed parameter to “Delay from SIUL2 MSCR register bit update to pad function enable at the input of the I/O pad” (was “Delay from MSCR bit update to pad function enable”).</li> </ul>
		<b>Electrical characteristics—Thermal Characteristics</b>
		<ul style="list-style-type: none"> <li>Updated <a href="#">Table 74 (Thermal characteristics)</a>.</li> </ul>
		<b>Ordering Information</b>
<ul style="list-style-type: none"> <li>Revised <a href="#">Table 75 (Orderable part number summary)</a>.</li> </ul>		
5	6/2015	<b>Electrical characteristics—Absolute maximum ratings</b>
		<a href="#">Table 6 (Absolute maximum ratings)</a> <ul style="list-style-type: none"> <li><math>V_{DD\_LV\_BD}</math>: corrected footnote numbering.</li> <li>Revised footnote (“Allowed 1.38– 1.45 V...”) text to 1.38 (was 1.375). Revised footnote (“1.32 – 1.38 V range...”) text to 1.38 (was 1.375) and “1.326 V at maximum” (was “1.288 V at maximum”).</li> </ul>
		<b>Electrical characteristics—Operating conditions</b>
		<a href="#">Table 8 (Device operating conditions)</a> <ul style="list-style-type: none"> <li>Consolidated duplicate footnotes throughout table.</li> <li><math>V_{DD\_HV\_ADV}</math>: added footnote (“SAR ADC only...”) to LVD disabled conditions.</li> <li>Revised <math>V_{DD\_HV\_ADR\_D}</math> row.</li> <li>Changed <math>V_{RAMP\_LV}</math> max value to 100 V/mx (was 500).</li> <li>Revised footnote (“RAM data retention is guaranteed at a voltage...”) (was “RAM data retention is not guaranteed below...”).</li> </ul>
		<a href="#">Table 9 (Emulation (buddy) device operating conditions)</a> <ul style="list-style-type: none"> <li>Changed <math>V_{RAMP\_LV\_BD}</math> max value to 100 V/ms (was 500).</li> </ul>
		<b>Electrical characteristics—DC electrical specification</b>
		<a href="#">Table 10 (DC electrical specifications)</a> <ul style="list-style-type: none"> <li><math>I_{DD\_MAIN\_CORE\_AC}</math>: changed max value to 115 mA (was 105).</li> <li><math>I_{DD\_CHKR\_CORE\_AC}</math>: changed max value to 80 mA (was 45).</li> <li><math>I_{DDSTBY\_REG}</math>: changed max value to 50 <math>\mu</math>A (was 30).</li> <li><math>V_{STBY\_BO}</math> specification: changed minimum to no value (was 0.9 V) and maximum to 0.9 V (was no value) with footnote (“<math>V_{STBY\_BO}</math> is the maximum voltage...”).</li> <li><math>V_{DD\_LV\_STBY\_SW}</math>: changed min value to 0.93 V (was 0.95).</li> </ul>
<b>Electrical characteristics—Reset pad (PORST, ESR0) electrical characteristics</b>		
<a href="#">Table 20 (Reset electrical characteristics)</a> <ul style="list-style-type: none"> <li>Changed <math>V_{IH}</math> min value to 2.2 V (was 2.0).</li> <li>Changed <math>W_{FNMI}</math> max value to 15 ns (was 20).</li> </ul>		

Table 76. Revision history (continued)

Revision	Date	Description of changes
5	6/2015	<p align="center"><b>Electrical characteristics—I/O pad current specification</b></p> <p>Replaced <a href="#">Figure 18 (I/O output DC electrical characteristics definition)</a>.  <a href="#">Table 12 (I/O input DC electrical characteristics)</a></p> <ul style="list-style-type: none"> <li>• <math>V_{IH\text{AUT}}</math> specification: changed min value to 3.8 V.</li> <li>• <math>V_{HYSTTL}</math>: Changed min value to 0.250 V (was 0.275). Removed footnote (“Minimum hysteresis...”)</li> </ul> <p><a href="#">Table 13 (I/O pull-up/pull-down DC electrical characteristics)</a></p> <ul style="list-style-type: none"> <li>• Added “AUTO” and “CMOS” designations to conditions for <math> I_{WPU} </math> and <math> I_{WPD} </math>.</li> <li>• <math> I_{WPU} </math> specification: changed final condition row to “<math>V_{IN} = 0.35 \cdot V_{DD\_HV\_IO}</math>” (was “<math>V_{IN} = 0.65 \cdot V_{DD\_HV\_IO}</math>”).</li> </ul> <p><a href="#">Table 14 (WEAK configuration output buffer electrical characteristics)</a></p> <ul style="list-style-type: none"> <li>• <math>R_{OH\_W}</math> specification: changed min value to 520 <math>\Omega</math> (was 517).</li> <li>• <math>R_{OL\_W}</math> specification: changed min value to 520 <math>\Omega</math> (was 517).</li> </ul> <p><a href="#">Table 15 (MEDIUM configuration output buffer electrical characteristics)</a>, <a href="#">Table 16 (STRONG configuration output buffer electrical characteristics)</a>, and <a href="#">Table 17 (VERY STRONG configuration output buffer electrical characteristics)</a></p> <ul style="list-style-type: none"> <li>• Changed specification to <math>t_{TPD50-50}</math> and revised row.</li> </ul> <p><a href="#">Table 16 (STRONG configuration output buffer electrical characteristics)</a></p> <ul style="list-style-type: none"> <li>• Added <math> t_{SKEW\_S} </math> specification.</li> </ul> <p><a href="#">Table 17 (VERY STRONG configuration output buffer electrical characteristics)</a></p> <ul style="list-style-type: none"> <li>• Added <math>I_{DCMAX\_VS}</math> specification.</li> </ul> <p><a href="#">Table 18 (EBI pad output electrical specification)</a></p> <ul style="list-style-type: none"> <li>• Removed all specifications in Input Specifications section and changed table title to “EBI Pad Output Electrical Specifications.”</li> <li>• <math>t_{PD\_EBI}</math>: changed parameter to “50% – 50% threshold...” (was “50% - 10% 90% threshold...”) and changed max value to 4.0 ns (was 5.5).</li> <li>• <math>R_{OH\_EBI\_GPIO}</math> specification: change min value to 100 <math>\Omega</math> (was 150).</li> </ul> <p align="center"><b>Electrical characteristics—Oscillator and FMPLL</b></p> <p><a href="#">Table 21 (PLL0 electrical characteristics)</a></p> <ul style="list-style-type: none"> <li>• Added footnote (“<math>f_{PLL0IN}</math> frequency must be...”)</li> <li>• Changed footnote text to “Noise on the <math>V_{DD\_LV}</math> supply...” (was “<math>V_{DD\_LV}</math> noise due...”).</li> <li>• Added footnote (“PLL jitter is guaranteed when...”) to <math> \Delta_{PLL0PHISPJ} </math>, <math> \Delta_{PLL0PHI1SPJ} </math>, and <math>\Delta_{PLL0LTJ}</math> specifications.</li> <li>• Added <math>f_{PLL0VCOFR}</math> specification.</li> </ul> <p><a href="#">Table 22 (PLL1 electrical characteristics)</a>,</p> <ul style="list-style-type: none"> <li>• Added <math>f_{PLL1VCOFR}</math> specification.</li> </ul> <p><a href="#">Table 24 (Selectable load capacitance)</a></p> <ul style="list-style-type: none"> <li>• Significant changes throughout table.</li> </ul>

**Table 76. Revision history (continued)**

Revision	Date	Description of changes
5	6/2015	<p style="text-align: center;"><b>Electrical characteristics—ADC specifications</b></p> <p>In <a href="#">Table 27 (SARn ADC electrical specification)</a></p> <ul style="list-style-type: none"> <li>• <math>I_{ADCREFH}</math> specification: changed min value for Run mode <math>t_{conv} \geq 5 \mu s</math> condition to <math>7 \mu A</math> (was 3.5). Changed max value for Power Down mode condition to <math>6 \mu A</math> (was 1).</li> <li>• <math>I_{ADV\_S}</math> specification, Power Down mode: changed max value to 1.0 mA (was 0.04).</li> <li>• INL and DNL rows: removed injection current footnote.</li> <li>• <math>TUE_{12}</math> row: changed footnote text to “This parameter is guaranteed...” (was “TUE, INL, and DNL are granted...”). Removed <math>T_J &lt; 150 \text{ }^\circ C</math>, <math>V_{DD\_HV\_ADV\_S} &gt; 4 \text{ V}</math>, <math>V_{DD\_HV\_ADR\_S} &gt; 4 \text{ V}</math> condition row.</li> </ul> <p>In <a href="#">Table 28 (SDn ADC electrical specification)</a></p> <ul style="list-style-type: none"> <li>• <math>V_{OFFSET}</math>: Changed parameter name to “Input Referred Offset Error” (was “Conversion Offset”) and added footnote (“Conversion offset error must be...”).</li> <li>• <math>SNR_{DIFF150}</math>, <math>SNR_{DIFF333}</math>, <math>SNR_{SE150}</math>: removed footnote (“SNR degraded by 3dB...”) and changed conditions range to 4.5 (was 4.0).</li> <li>• <math>SNR_{SE150}</math> specification: revised min values for each condition. Added footnote (“This parameter is guaranteed...”).</li> <li>• For first footnote “S/D ADC is functional in the range...” changed voltage range to 3.6 V–4.5 V (was <math>3.6 \text{ V} &lt; V_{DD\_HV\_ADV\_D} &lt; 4.0 \text{ V}</math>) and added “Degraded SNR value based on simulation.”</li> <li>• For second footnote “S/D ADC is functional in the range...” changed voltage range to 3.0 V–4.5 V and added “Degraded SNR value based on simulation.”</li> <li>• <math>V_{cmrr}</math> specification: changed min value to 54 dB (was 20 dB).</li> <li>• <math>\delta_{GROUP}</math> specification: increased the max value for each condition by 3 Tclk.</li> <li>• <math>\Sigma I_{ADR\_D}</math> specification: changed max value to <math>30 \mu A</math> (was 20). Added “<math>f_{ADCD\_M} = 14.4 \text{ MHz}</math>” to condition.</li> </ul> <p style="text-align: center;"><b>Electrical characteristics—LFAST electrical specifications</b></p> <p><a href="#">Table 30 (LVDS pad startup and receiver electrical characteristics.)</a></p> <ul style="list-style-type: none"> <li>• Revised entire <math>R_{IN}</math> specification row.</li> </ul> <p><a href="#">Table 31 (LFAST transmitter electrical characteristics.)</a></p> <ul style="list-style-type: none"> <li>• <math>f_{DATA}</math>: Changed max value to “312/320” (was 320) and added footnote.</li> </ul> <p><a href="#">Table 33 (LFAST PLL electrical characteristics)</a></p> <ul style="list-style-type: none"> <li>• Changed <math>ERR_{REF}</math> and <math>DC_{REF}</math> parameter descriptions to “PLL input reference clock” (was “PLL reference clock”).</li> </ul> <p style="text-align: center;"><b>Electrical characteristics—Power management: PMC, POR/LVD, sequencing</b></p> <p><a href="#">Table 36 (Flash power supply)</a></p> <ul style="list-style-type: none"> <li>• Removed <math>V_{DD\_HV\_PMC}</math> row (this specification documented in <a href="#">Table 8 (Device operating conditions)</a>).</li> </ul> <p style="text-align: center;"><b>Electrical characteristics—Flash memory electrical characteristics</b></p> <ul style="list-style-type: none"> <li>• Added <a href="#">Section 3.15.7, Flash read wait state and address pipeline control settings</a>.</li> </ul> <p style="text-align: center;"><b>Electrical characteristics—AC specifications—DSPI</b></p> <ul style="list-style-type: none"> <li>• Substantial revisions to <a href="#">Section 3.16.2, DSPI timing with CMOS and LVDS pads</a>.</li> </ul> <p style="text-align: center;"><b>Electrical characteristics—AC specifications—FlexRay</b></p> <p><a href="#">Table 66 (RxD input characteristics)</a></p> <ul style="list-style-type: none"> <li>• Revised footnote (“FlexRay RxD timing is valid . . .”).</li> </ul>

Table 76. Revision history (continued)

Revision	Date	Description of changes
5	6/2015	<b>Ordering Information</b>
		<a href="#">Table 75 (Orderable part number summary)</a> <ul style="list-style-type: none"> <li>Revised ED footnote (“‘ED’ refers to . . .”).</li> </ul>
6	6/2016	<b>Introduction</b>
		<a href="#">Section 1.3, Device feature</a> <ul style="list-style-type: none"> <li>Changed the name of the section to Device feature.</li> <li><a href="#">Table 1 (MPC5777M feature)</a> Changed the name of the table to MPC5777M feature.</li> </ul>
		<a href="#">Figure 1</a> <ul style="list-style-type: none"> <li>Removed the 50 MHz from the concentrator box and added 50 MHz and 100 Mhz to the connection arrows.</li> </ul>
		<b>Electrical characteristics—I/O pad specification</b>
		<a href="#">Section 3.7, I/O pad current specification</a> <ul style="list-style-type: none"> <li>Added paragraph (In order to ensure device reliability....., and In order to ensure device functionality...).</li> <li>Removed the entries <math>I_{RMS\_SEG}</math> and <math>I_{DYN\_SEG}</math> in <a href="#">Table 19 (I/O consumption)</a>.</li> </ul>
		<a href="#">Table 12 (I/O input DC electrical characteristics)</a> <ul style="list-style-type: none"> <li><math>V_{HYSTTL}</math> specification: Changed min value to 0.275 V (was 0.250 V)</li> </ul>
		<b>Electrical characteristics—Oscillator and FMPLL</b>
		<a href="#">Table 25 (Internal RC Oscillator electrical specifications)</a> <ul style="list-style-type: none"> <li>Added <math>\delta f_{TRIM}</math> specification.</li> </ul>
<b>Electrical characteristics—ADC Specifications</b>		
<a href="#">Table 28 (SDn ADC electrical specification)</a> , <ul style="list-style-type: none"> <li><math>Z_{DIFF}</math>, <math>Z_{CM}</math> and <math>\Delta V_{INTCM}</math> specifications added. <math>R_{BIAS}</math> specification has been updated.</li> </ul>		
		<b>Electrical characteristics—AC specifications—FlexRay</b>
		<a href="#">Table 66 (Rx/D input characteristics)</a> <ul style="list-style-type: none"> <li>Changed footnote (“FlexRay Rx/D timing is valid . . .”).</li> </ul>

## How to Reach Us:

**Home Page:**  
nxp.com

**Web Support:**  
nxp.com/support

Information in this document is provided solely to enable system and software implementers to use NXP products. There are no express or implied copyright licenses granted hereunder to design or fabricate any integrated circuits based on the information in this document. NXP reserves the right to make changes without further notice to any products herein.

NXP makes no warranty, representation, or guarantee regarding the suitability of its products for any particular purpose, nor does NXP assume any liability arising out of the application or use of any product or circuit, and specifically disclaims any and all liability, including without limitation consequential or incidental damages. "Typical" parameters that may be provided in NXP data sheets and/or specifications can and do vary in different applications, and actual performance may vary over time. All operating parameters, including "typicals," must be validated for each customer application by customers technical experts. NXP does not convey any license under its patent rights nor the rights of others. NXP sells products pursuant to standard terms and conditions of sale, which can be found at the following address: [nxp.com/SalesTermsandConditions](http://nxp.com/SalesTermsandConditions).

NXP, the NXP logo, NXP SECURE CONNECTIONS FOR A SMARTER WORLD, COOLFLUX, EMBRACE, GREENCHIP, HITAG, I2C BUS, ICODE, JCOP, LIFE VIBES, MIFARE, MIFARE CLASSIC, MIFARE DESFire, MIFARE PLUS, MIFARE FLEX, MANTIS, MIFARE ULTRALIGHT, MIFARE4MOBILE, MIGLO, NTAG, ROADLINK, SMARTLX, SMARTMX, STARPLUG, TOPFET, TRENCHMOS, UCODE, Freescale, the Freescale logo, Altivec, C-5, CodeTest, CodeWarrior, ColdFire, ColdFire+, C-Ware, the Energy Efficient Solutions logo, Kinetis, Layerscape, MagniV, mobileGT, PEG, PowerQUICC, Processor Expert, QorIQ, QorIQ Qonverge, Ready Play, SafeAssure, the SafeAssure logo, StarCore, Symphony, VortiQa, Vybrid, Airfast, BeeKit, BeeStack, CoreNet, Flexis, MXC, Platform in a Package, QUICC Engine, SMARTMOS, Tower, TurboLink, and UMEMS are trademarks of NXP B.V. All other product or service names are the property of their respective owners. ARM, AMBA, ARM Powered, Artisan, Cortex, Jazelle, Keil, SecurCore, Thumb, TrustZone, and iVision are registered trademarks of ARM Limited (or its subsidiaries) in the EU and/or elsewhere. ARM7, ARM9, ARM11, big.LITTLE, CoreLink, CoreSight, DesignStart, Mali, mbed, NEON, POP, Sensinode, Socrates, ULINK and Versatile are trademarks of ARM Limited (or its subsidiaries) in the EU and/or elsewhere. All rights reserved. Oracle and Java are registered trademarks of Oracle and/or its affiliates. The Power Architecture and Power.org word marks and the Power and Power.org logos and related marks are trademarks and service marks licensed by Power.org.

© 2016 NXP B.V.

Document Number: MPC5777M  
Rev. 6  
06/2016





## X-ON Electronics

Largest Supplier of Electrical and Electronic Components

*Click to view similar products for [32-bit Microcontrollers - MCU category](#):*

*Click to view products by [NXP manufacturer](#):*

Other Similar products are found below :

[MB91F575BHSPMC-GSE1](#) [MB91F594BSPMC-GSE1](#) [PIC32MX120F032B-50I/ML](#) [MB91F464AAPMC-GSE2](#) [MB91F577BHSPMC-GSE1](#)  
[MB91F528USCPMC-GSE2](#) [MB91F248PFV-GE1](#) [MB91F594BPMC-GSE1](#) [MB91243PFV-GS-136E1](#) [MB91F577BHSPMC1-GSE1](#)  
[PIC32MM0032GPL020-E/ML](#) [PIC32MM0016GPL028-E/SS](#) [PIC32MM0016GPL028-E/ML](#) [PIC32MM0032GPL028-E/ML](#)  
[PIC32MM0032GPL028-E/M6](#) [SPC5604BF2VLL6](#) [MB91F526KSEPMC-GSE1](#) [TLE9872QTW40XUMA1](#) [FT902L-T](#) [R5F564MLCDFB#31](#)  
[R5F564MLCDFC#31](#) [R5F523E5ADFL#30](#) [R5F524TAADFF#31](#) [MCF51AC256ACPUE](#) [PIC32MX150F128D-I/ML](#) [PIC32MX230F064D-](#)  
[I/PT](#) [PIC32MM0064GPL028-I/ML](#) [PIC32MM0064GPL028-I/SP](#) [PIC32MM0064GPL028-I/SO](#) [PIC32MX120F032D-I/TL](#)  
[PIC32MX130F064D-I/ML](#) [PIC32MZ2064DAB169-I/HF](#) [PIC32MZ2064DAB288-I/4J](#) [ATUC256L4U-AUT](#) [R5F56318CDBG#U0](#)  
[PIC32MX150F128C-I/TL](#) [PIC32MX130F064C-ITL](#) [PIC32MX230F064D-IML](#) [PIC32MX154F128D-I/PT](#) [PIC32MX154F128B-V/SO](#)  
[AT32UC3L0128-AUT](#) [PIC32MX254F128B-I/SO](#) [PIC32MX230F128H-I/MR](#) [PIC32MX150F128D-50I/TL](#) [PIC32MZ1064DAB288-I/4J](#)  
[PIC32MZ1064DAB169-I/HF](#) [ATUC64D4-Z1UT](#) [AT32UC3A3128S-CTUT](#) [ATUC128L3U-Z3UT](#) [ATUC64L3U-Z3UT](#)