

TDA8037

Low power 3V smart card interface

Rev. 1.2 — 30 June 2016

Product data sheet

1. General description

The TDA8037 is the cost efficient successor of the established integrated contact smart card reader IC TDA8035. It offers a high level of security for the card performing current limitation, short circuit detection, ESD protection as well as supply supervision. Operating in 3 V supply domain, the current consumption during the shutdown mode of the contact reader is very low. It is therefore the ideal component for a power efficient contact reader.

2. Features and benefits

2.1 Protection of the contact smart card

- Thermal and short-circuit protection on all card contacts
- V_{CC} regulation:
 - ◆ $3\text{ V} \pm 5\%$ on $2 \times 220\text{ nF}$ multilayer ceramic capacitors with low ESR
 - ◆ Current spikes of 40 nA up to 20 MHz, with controlled rise and fall times, filtered overload detection approximately 120 mA
- Automatic activation and deactivation sequences initiated by software or by hardware in the event of a short-circuit, card take-off, overheating, $V_{DD\text{host}}$, VREG and V_{DD} dropping
- Enhanced card-side ElectroStatic Discharge (ESD) protection of (> 8 kV)
- Supply supervisor for killing spikes during power on and off:
 - ◆ threshold internally fixed
 - ◆ externally by a resistor bridge (with SO28 package only)

2.2 Easy integration into your contact reader

- SW compatible to TDA8024, TDA8034 and TDA8035
- 3 V smart card supply
- Three protected half-duplex bidirectional buffered I/O lines (C4, C7 and C8)
- External clock input up to 20 MHz
- Card clock generation up to 20 MHz using pin CLKDIV with synchronous frequency changes of f_{CLKIN} , $f_{\text{CLKIN}}/2$ (with SO28 package only)
- Non-inverted control of pin RST using pin RSTIN
- Built-in debouncing on card presence contact
- Multiplexed status signal using pin OFFN
- Chip Select digital input for parallel operation of several TDA8037 ICs (with SO28 package only)



2.2.1 Other

- TSSOP16 and SO28 package
- SO28 version is footprint compatible with TDA8024T
- Compliant with ISO 7816, Cisco technology and EMV 4.3 payment systems

3. Applications

- Pay TV
- Electronic payment
- Identification
- IC card readers for banking

4. Quick reference data

Table 1. Quick reference data

$V_{DDP} = 3.3\text{ V}$; $V_{DD(INTF)} = 3.3\text{ V}$; $f_{Xtal} = 10\text{ MHz}$; $GND = 0\text{ V}$; $T_{amb} = 25\text{ °C}$; unless otherwise specified

Symbol	Parameter	Conditions	Min	Typ	Max	Unit
Supply						
V_{DD}	supply voltage		3	3.3	3.6	V
I_{DD}	supply current	Shutdown mode; $f_{CLKIN} = \text{stopped}$	-	250	400	μA
		active mode; CLK = CLKIN; no-load	-	-	5	mA
		active mode; CLK = CLKIN; $I_{CC} = 65\text{ mA}$	-	-	70	mA
Supply voltage for the card: pin V_{CC}						
V_{CC}	supply voltage	DC $I_{CC} < 65\text{ mA}$	2.85	-	3.15	V
		AC current spikes of 40 nA	2.76	-	3.24	V
$V_{\text{ripple(p-p)}}$	peak-to-peak ripple voltage	from 20 kHz to 200 MHz	-	-	150	mV
I_{CC}	supply current		-	-	65	mA
General						
t_{deact}	deactivation time	total sequence	35	90	250	μs
P_{tot}	total power dissipation	$T_{amb} = -25\text{ °C}$ to $+85\text{ °C}$	-	-	0.1	W
T_{amb}	ambient temperature		-25	-	+85	$^{\circ}\text{C}$

5. Ordering information

Table 2. Ordering information

Type number	Package		
	Name	Description	Version
TDA8037TT	TSSOP16	plastic thin shrink small outline package; 16 leads; body width 4.4 mm	SOT403-1
TDA8037T	SO28	plastic small outline package; 28 leads; body width 7.5 mm	SOT136-1

6. Block diagram

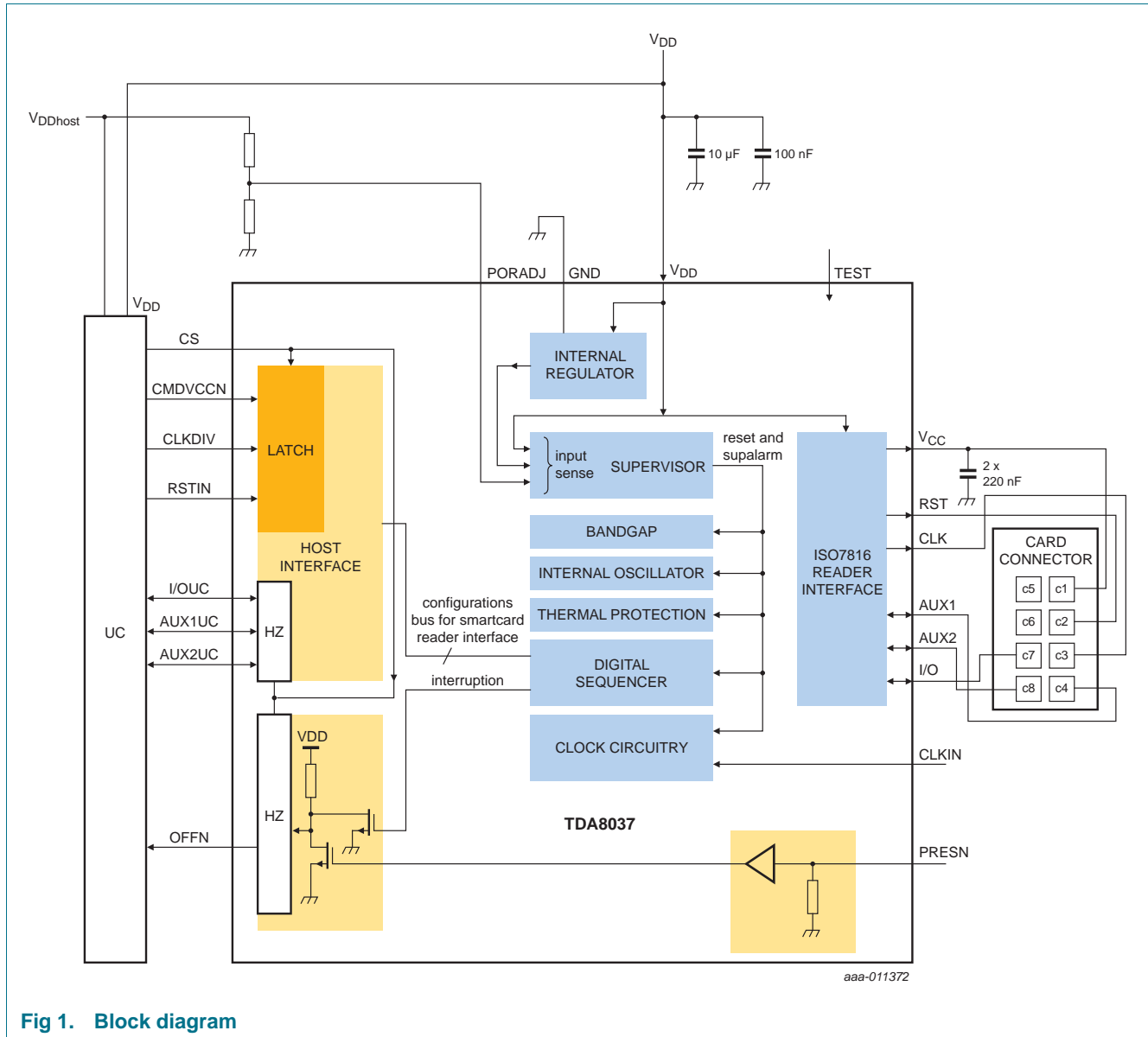
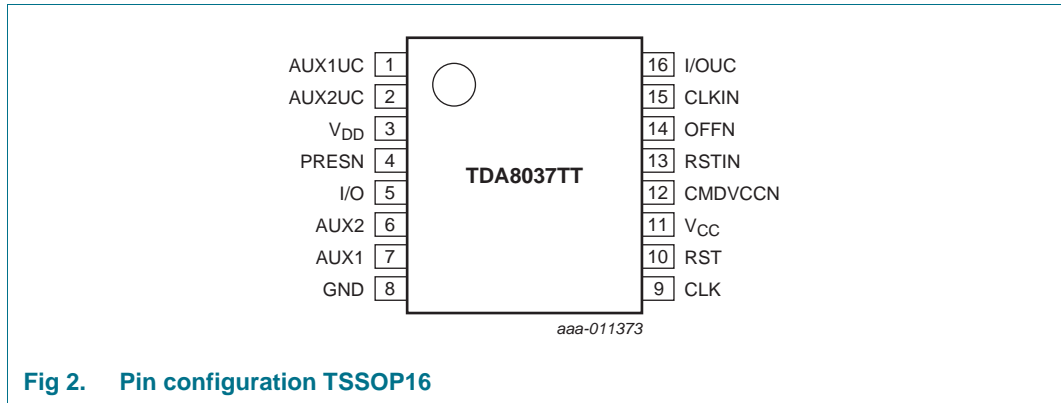


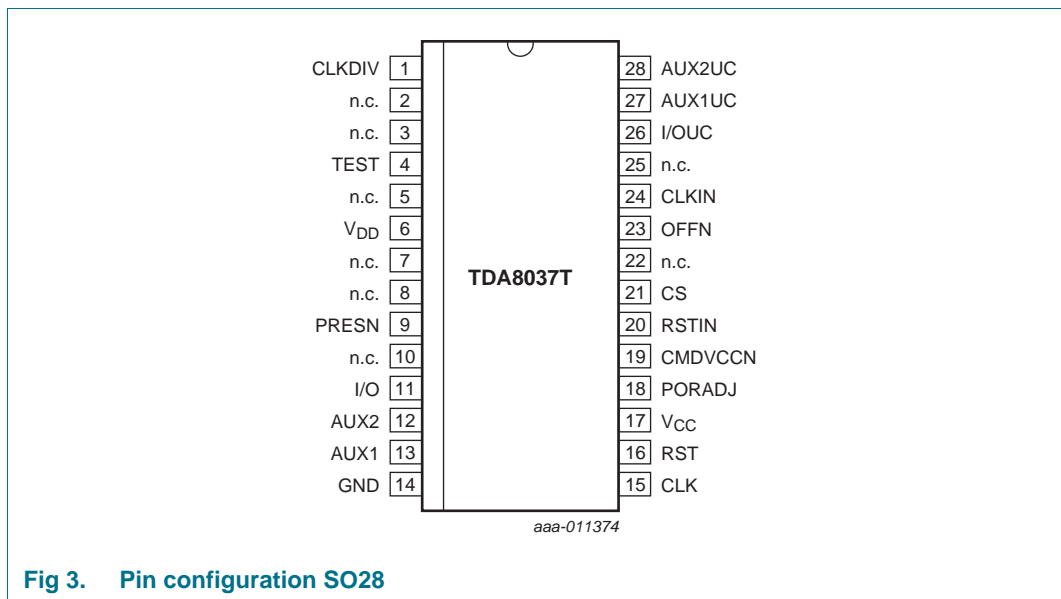
Fig 1. Block diagram

7. Pinning information

7.1 Pinning



7.2 Pinning



7.3 Pin description

Table 3. Pin description

Symbol	Pin SO28	Pin TSSOP16	Supply	Type	Description
AUX1UC	27	1	V _{DD}	I/O	auxiliary data line to/from the host (internal 10 k pull-up resistor to V _{DD})
AUX2UC	28	2	V _{DD}	I/O	auxiliary data line to/from the host (internal 10 k pull-up resistor to V _{DD})
V _{DD}	6	3	V _{DD}	supply	supply voltage
PRESN	9	4	V _{DD}	I	card presence contact input (active LOW); if PRESN is true, then the card is considered as present. A debouncing feature of 4.05 ms typ. is built in.
I/O	11	5	V _{CC}	I/O	data line to/from the card (C7)(internal 10 k pull up resistor to V _{CC})
AUX2	12	6	V _{CC}	I/O	auxiliary data line to/from the card (C8) (internal 10 k pull up resistor to V _{CC})
AUX1	13	7	V _{CC}	I/O	auxiliary data line to/from the card (C4) (internal 10 k pull up resistor to V _{CC})
GND	14	8	-	supply	ground
CLK	15	9	V _{CC}	O	clock to the card (C3)
RST	16	10	V _{CC}	O	card reset (C2)
V _{CC}	17	11	V _{CC}	O	supply for the card (C1) (decouple to GND with 2x 220 nF capacitors with ESR<100 mΩ).
CMDVCCN	19	12	V _{DD}	I	start activation sequence input from the host (active LOW)
RSTIN	20	13	V _{DD}	I	card reset input from the host (active HIGH)
OFFN	23	14	V _{DD}	O	NMOS interrupt to the host (active LOW) with 10 k internal pull-up resistor to V _{DD} (see fault detection)
CLKIN	24	15	V _{DD}	I	external clock
I/OUC	26	16	V _{DD}	I/O	host data I/O line (internal 10k pull-up resistor to V _{DD})
CLKDIV	1	nc	V _{DD}	I	control for choosing CLK frequency
TEST	4	nc	V _{DD}	I	test mode
PORADJ	18	nc	V _{DD}	I	input for V _{DDhost} supervisor. PORADJ threshold can be changed with an external R bridge.
CS	21	nc	V _{DD}	I	chip select input from the host (active High)

8. Functional description

Remark: The ISO 7816 terminology convention has been adhered to throughout this document, and it is assumed that the reader is familiar with this convention.

8.1 Power supply

Power supply voltage V_{DD} is from 3 V to 3.6 V.

All interface signals with the system controller are referenced to V_{DD} . All card contacts remain inactive during powering up or powering down.

Internal regulator V_{REG} is 1.8 V.

After powering the device, OFFN remains low until CMDVCCN is set high and PRESN is low.

During power off, OFFN falls low when V_{DD} is below the threshold voltage falling.

The frequency of the internal oscillator ($f_{osc(int)}$) used for the activation sequences is put in low frequency mode. It is to save power consumption while CMDVCCN is kept at high level (card not activated).

8.2 Voltage supervisor

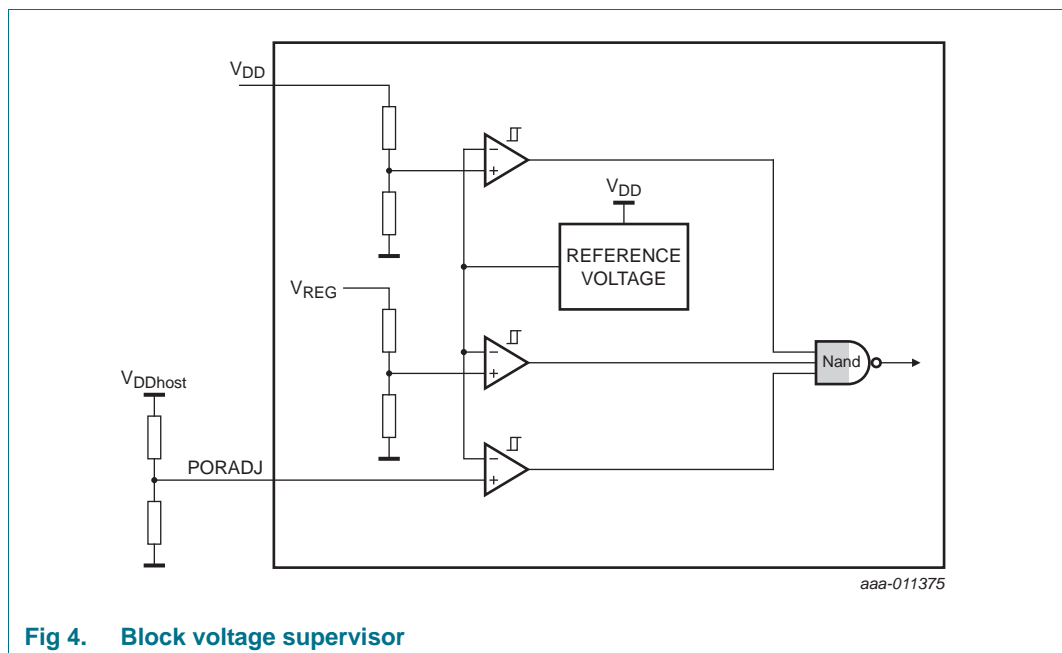


Fig 4. Block voltage supervisor

The voltage supervisor is used as a power-on reset, and also as supply drop detection during a card session. The threshold of the voltage supervisor is set internally in the IC for V_{DD} and V_{REG} . The threshold can be adjusted externally for V_{DDhost} using the PORADJ pin. As long as V_{DD} is less than $V_{th}(V_{DD}) + V_{hys}(V_{DD})$, the IC remains inactive whatever the levels on the command lines are. It lasts during t_w after V_{DD} has reached a level higher than $V_{th}(V_{DD}) + V_{hys}(V_{DD})$. The outputs of the V_{DD} , V_{REG} and V_{DDhost} supervisors, are combined and sent to a digital controller in order to reset the TDA8037. The defined reset

pulse of approximately 5.7 ms ($t_w = 2048 \times 1/(f_{osc(int_Low)})$), is used internally for maintaining the IC in an inactive mode during the supply voltage power-on (see [Figure 5](#), [Figure 6](#), [Figure 7](#), [Figure 8](#) and [Figure 9](#)). When V_{DD} falls below $V_{th}(V_{DD})$, $V_{th}(V_{REG})$ or V_{DDhost} falls below $V_{th}(V_{DDhost})$, a deactivation sequence is performed.

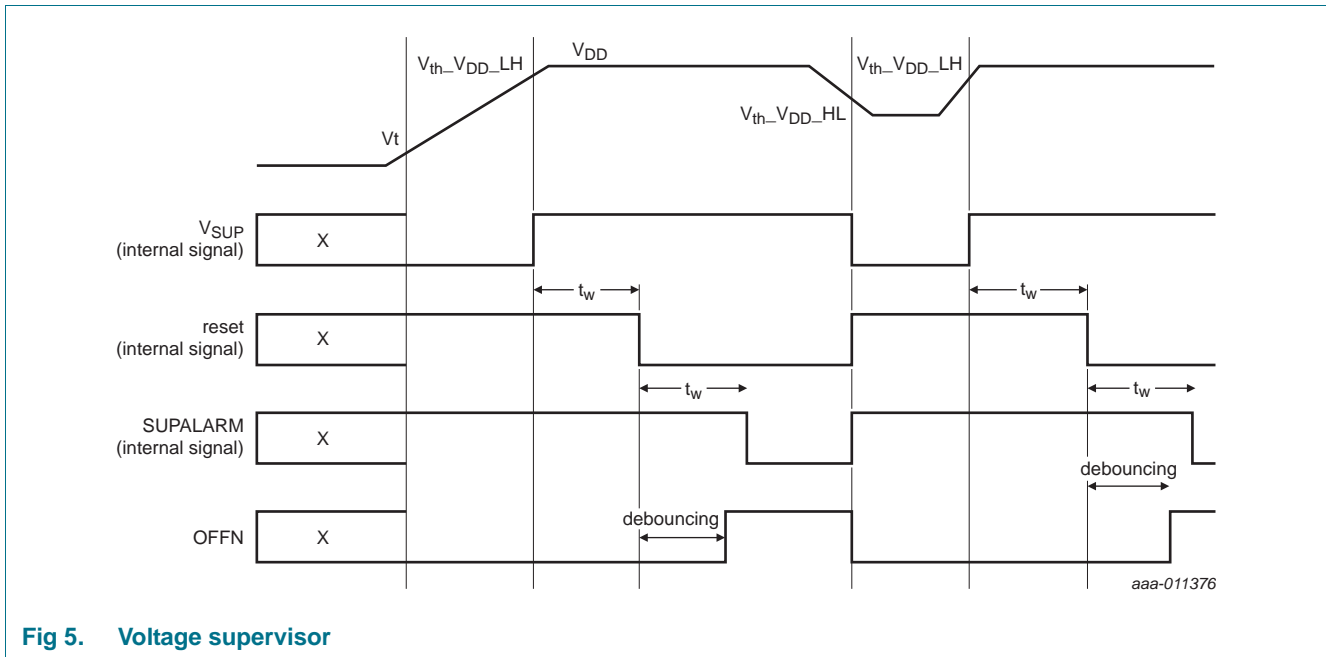


Fig 5. Voltage supervisor

8.3 Clock circuitry

To generate the card clock CLK, the TDA8037 uses an external clock provided on CLKIN pin. Apply the external clock to CLKIN before CMDVCCN falling edge signal.

The frequency is chosen as f_{CLKIN} , $f_{CLKIN}/2$ via the pins CLKDIV.

The frequency change is synchronous, which means that during transition, no pulse is shorter than 45 % of the smallest period. It ensures that the first and last clock pulse around the change has the correct width. When changing the frequency dynamically, the change is effective for only 10 periods of CLKIN after the command.

The duty cycle on pin CLK shall be between 45 % and 55 %.

Table 4. Clock configuration (SO28 only)

CLKDIV	CLK
0	f_{CLKIN}
1	$f_{CLKIN}/2$

8.4 I/O circuitry

The three data lines I/O, AUX1 and AUX2 are identical.

By pulling both lines (I/O and I/OUC) HIGH via a 10 kΩ resistor (I/O to V_{CC} and I/OUC to V_{DD}), the idle state is realized.

I/O is referenced to V_{CC} , and I/OUC to V_{DD} , thus allowing operation with $V_{CC} \neq V_{DD}$.

The first side on which a falling edge occurs becomes the master. An anti-latch circuit disables the detection of falling edges on the other line, which becomes a slave.

After a time delay $t_{d(\text{edge})}$, the logic 0 on the master side is transmitted to the slave side.

When the master side returns to logic 1, the slave side transmits the logic 1 during the time delay t_{pu} . After which, both sides return to their Idle states.

This active pull-up feature ensures fast Low to High transitions. It is able to deliver more than 1 mA up to an output voltage of $0.9 V_{CC}$ on an 80 pF load. At the end of the active pull-up pulse, the output voltage only depends on the internal pull-up resistor, and on the load current.

The current to/from the cards I/O lines, is internally limited to 15 mA.

The maximum frequency on these lines is 1.5 MHz.

8.5 CS control

The CS (Chip Select) input allows multiple devices to operate in parallel. When CS is high, the system interface signals operate as described. When CS is low, the signals CMDVCCN, RSTIN and CLKDIV are latched. I/OUC, AUX1UC and AUX2UC are set to high impedance pull-up mode and data is no longer passed to or from the smart card. The OFFN output is a 3-state output.

8.6 Shutdown mode

After power-on reset, the circuit enters the Shutdown mode if CMDVCCN input pin is set to a logic high. A minimum number of circuits are active while waiting for the microcontroller to start a session.

1. All card contacts are inactive (approximately 200 Ω to GND).
2. I/OUC, AUX1UC and AUX2UC are high impedance (10 k Ω pull-up resistor connected to V_{DD}).
3. Voltage generators are stopped.
4. Voltage supervisor is active.
5. The internal oscillator runs at its low frequency.

8.7 Activation sequence

The following sequence then occurs with external clock (see [Figure 6](#)):

$$T = 64 \times T_{oscint} \text{ (freq high)}$$

1. CMDVCCN is pulled Low (t_0)
2. The internal oscillator changes to its high frequency ($t_1 = t_0 + \sim$)
3. V_{CC} rises from 0 to selected V_{CC} value (3 V) with a controlled slope ($t_2 = t_1 + 3T/2$)
4. I/O, AUX1 and AUX2 are enabled ($t_3 = t_1 + 10T$); they were pulled LOW until this moment
5. CLK is applied to the C3 contact ($t_4 = t_3 + x$) with $200 \text{ ns} < x < 10 \times 1/f_{CLKIN}$
6. RST is enabled ($t_5 = t_1 + 13T$).

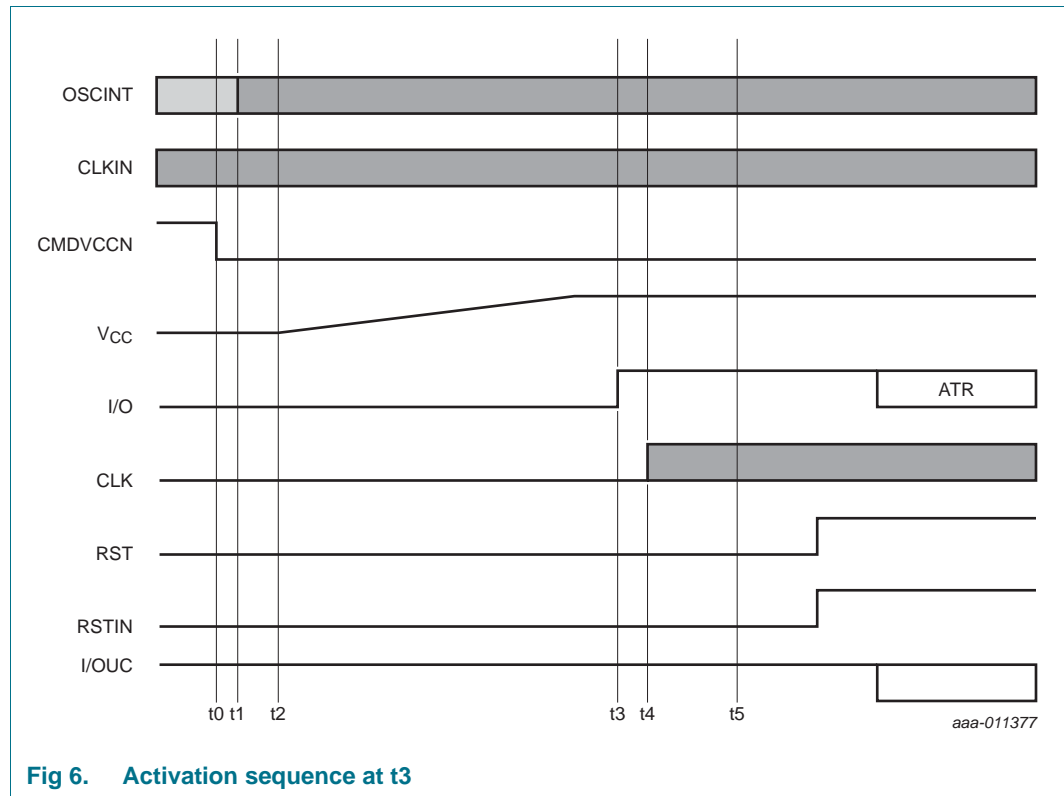


Fig 6. Activation sequence at t3

8.8 Deactivation sequence

When a session is completed, the microcontroller sets the CMDVCCN line to the HIGH state. The circuit then executes an automatic deactivation sequence by counting the sequencer back and ends in the inactive state (see [Figure 7](#)):

Note: CMDVCCN line should not be set to High state until activation sequence has not completed. Else, this deactivation command is not taken into account.

1. RST goes LOW ($t_{11} = t_{10} + 3T/64$)
2. CLK is stopped LOW ($t_{12} = t_{11} + T/2$)
3. I/O, AUX1 and AUX2 are pulled LOW ($t_{13} = t_{11} + T$)
4. V_{CC} falls to zero ($t_{14} = t_{11} + 3T/2$). The deactivation sequence is completed when V_{CC} reaches its inactive state
5. $V_{CC} < 0.4 V$ ($t_{de} = t_{11} + 3T/2 + V_{CC}$ fall time)
6. All card contacts become low-impedance to GND. I/OUC, AUX1UC and AUX2UC remain pulled up to V_{DD} via a 10 kΩ resistor.
7. The internal oscillator reverts to its lower frequency.

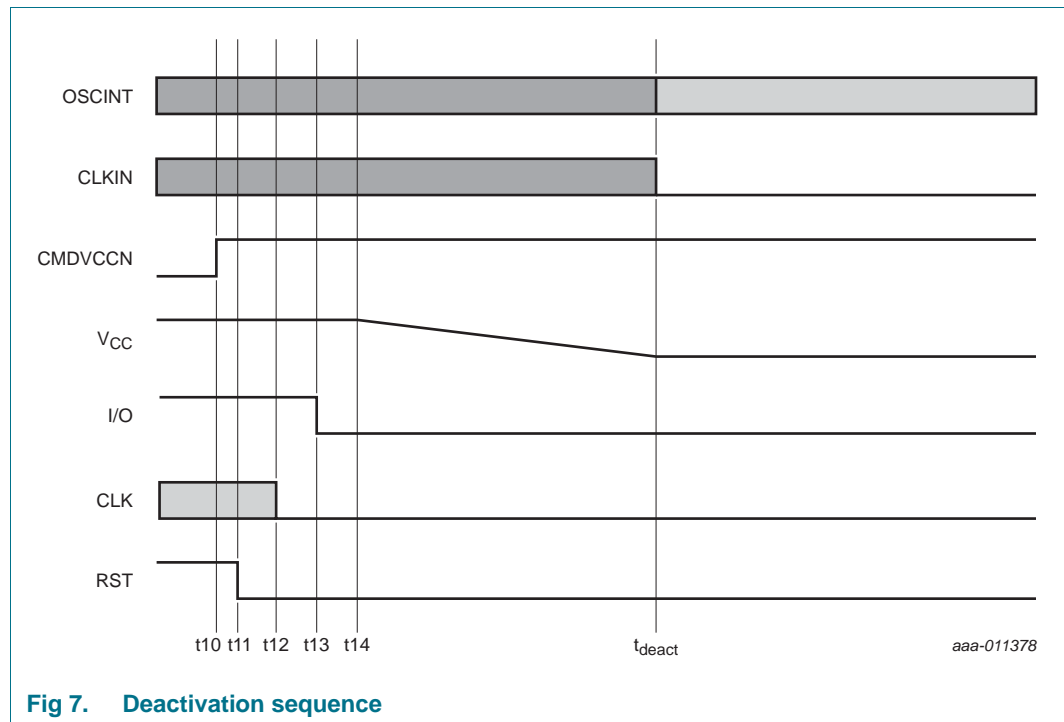


Fig 7. Deactivation sequence

8.9 V_{CC} regulator

V_{CC} buffer is able to deliver up to 65 mA continuously at $V_{CC} = 3 V$.

It has an internal overload detection at approximately 125 mA.

This detection is internally filtered, allowing the card to draw spurious current pulses up to 200 mA for some ms, without causing a deactivation. The average current value must stay below maximum.

8.10 Fault detection

The circuit monitors the following fault conditions:

- short-circuit or high current on V_{CC}
- Card removal during transaction
- V_{DD} , V_{REG} or V_{DDhost} dropping
- overheating.

There are two different cases (see [Figure 8 on page 12](#)):

1. CMDVCCN High: (outside a card session) then, if the card is not in the reader, OFFN is Low. It is High when the card is in the reader. The supply supervisor detects a supply voltage drop on V_{DD} . It generates an internal power-on reset pulse, but does not act upon OFFN. The card is not powered-up, so no short-circuit or overheating is detected.
2. CMDVCCN Low: (within a card session) then, OFFN falls Low in any of the aforementioned cases. As soon as the fault is detected, an emergency deactivation is automatically performed. When the system controller sets CMDVCCN back to High, it may sense OFFN again after complete deactivation sequence. It does it to distinguish between a hardware problem or a card extraction. If the card is still present, OFFN then returns High.

A bounce may occur on PRESN signal during card insertion or withdrawal. It depends on the type of card presence switch within the connector (normally close or normally open), and on the mechanical characteristics of the switch. To counter the bounce, a debounce feature of approximately 4.05 ms ($t_{deb} = 1280 \times 1/(f_{osc(int)_Low})$) is integrated in the device.

When the card is inserted, OFFN goes High only at the end of the debounce time (see [Figure 9 on page 12](#)).

When the card is extracted, an automatic deactivation sequence of the card is performed on the first True/False transition on PRESN, and OFFN goes Low.

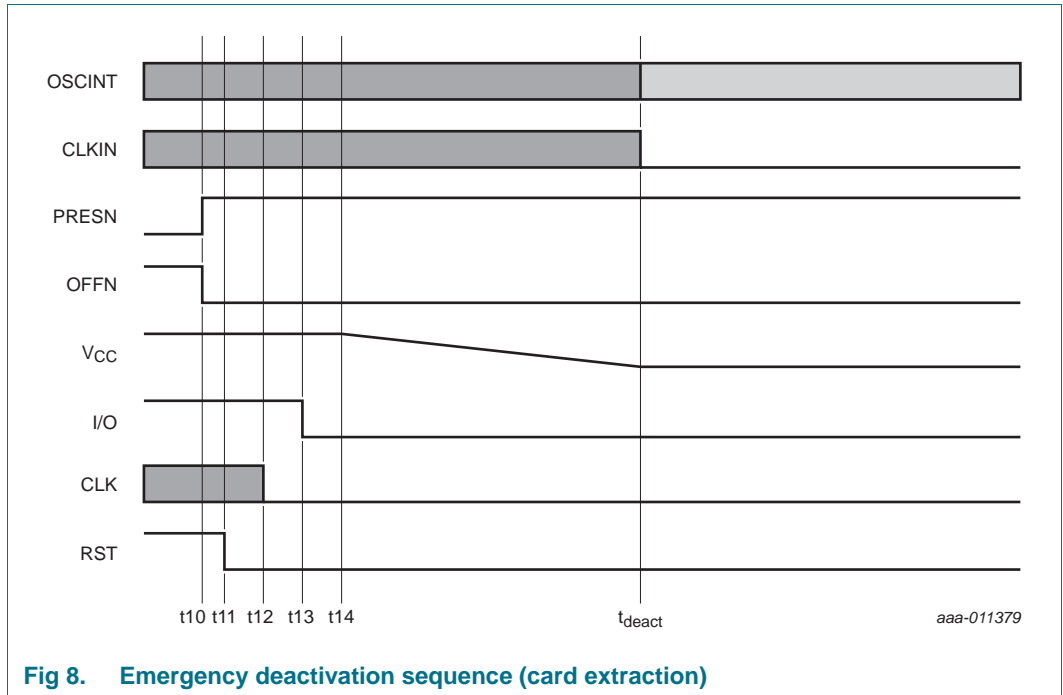


Fig 8. Emergency deactivation sequence (card extraction)

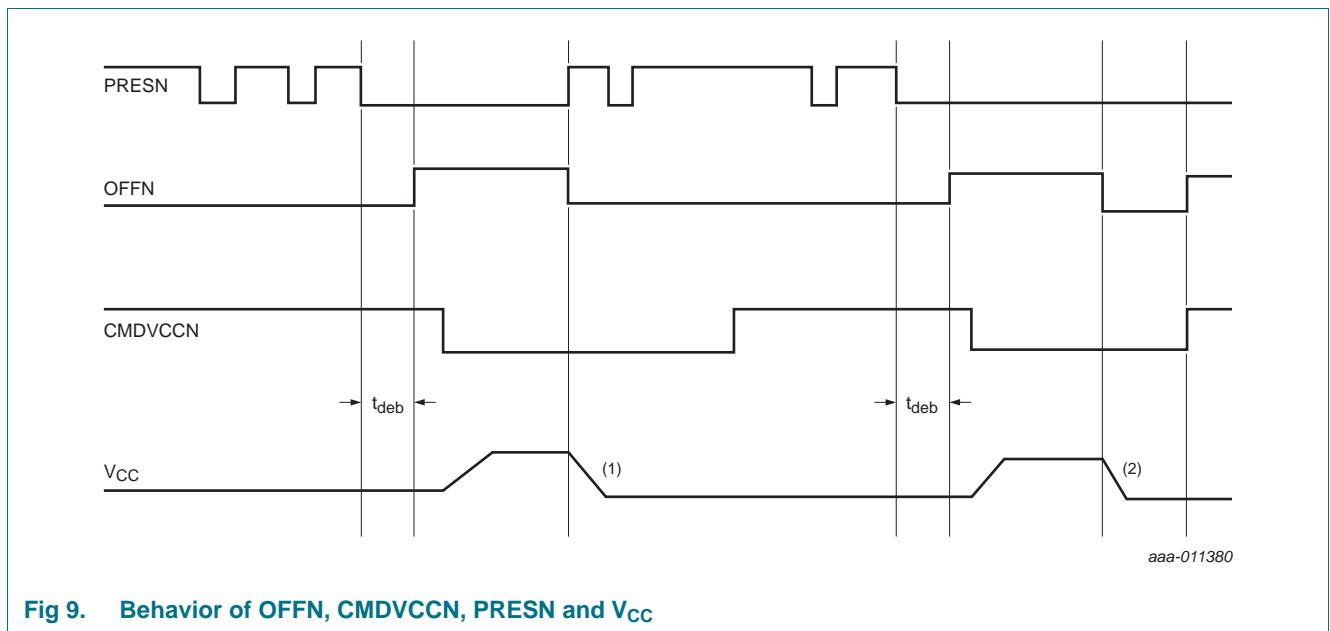


Fig 9. Behavior of OFFN, CMDVCCN, PRESN and V_{CC}

9. Limiting values

All card contacts are protected against a short-circuit with any other card contact.

Stress beyond the limiting values can damage the device permanently. The values are stress ratings only and functional operation of the device under these conditions is not implied.

Table 5. Limiting values

In accordance with the Absolute Maximum Rating System (IEC 60134).

Symbol	Parameter	Conditions	Min	Max	Unit
V _{DD}	supply voltage		-0.3	+4.5	V
V _{IH}	HIGH-level input voltage	CS, CLKDIV, PORADJ, PRESN, CMDVCCN, RSTIN, OFFN, CLKIN, I/OUC, AUX1UC, AUX2UC, V _{DD}	-0.3	+4.5	V
		I/O, RST, AUX1, AUX2 and CLK	-0.3	+4.5	V
T _{amb}	ambient temperature		-25	+85	°C
T _{stg}	storage temperature		-55	+150	°C
T _j	junction temperature		-	125	°C
P _{tot}	total power dissipation	T _{amb} = -25 °C to +85 °C	-	0.1	W
V _{ESD}	electrostatic discharge voltage	Human Body Model (HBM) on card pins I/O, RST, V _{CC} , AUX1, CLK, AUX2, PRESN within typical application	-8	+8	kV
		Human Body Model (HBM) on all other pins	-2	+2	kV
		Machine Model (MM) on all pins	-200	+200	V
		Field Charged Device Model (FCDM) on all pins	-500	+500	V

10. Thermal characteristics

Table 6. Thermal characteristics

Symbol	Package name	Parameter	Conditions	Typ	Unit
R _{th(j-a)}	TSSOP16	thermal resistance from junction to ambient	in free air	160	°C/W
R _{th(j-a)}	SO28	thermal resistance from junction to ambient	in free air	69	°C/W

11. Characteristics

Table 7. Characteristics of IC

$V_{DD} = 3.3\text{ V}$; Clock in = 10 MHz; GND = 0 V; $T_{amb} = 25\text{ }^{\circ}\text{C}$; unless otherwise specified

Symbol	Parameter	Conditions	Min	Typ	Max	Unit
Supply voltage						
V_{DD}	supply voltage		3	3.3	3.6	V
I_{DD}	supply current	Shutdown mode; $f_{CLKIN} = \text{stopped}$	-	250	400	μA
		active mode; CLK = CLKIN; No-load	-	-	5	mA
		active mode; CLK=CLKIN; $I_{CC} = 65\text{ mA}$	-	-	70	mA
$V_{th(VREG)}$	V_{REG} threshold voltage	falling	1.20	1.35	1.5	V
$V_{hys(VREG)}$	V_{REG} hysteresis voltage		60	75	90	mV
$V_{th(VDD)}$	V_{DD} threshold voltage	falling	2.45	2.6	2.75	V
$V_{hys(VDD)}$	V_{DD} hysteresis voltage		10	50	100	mV
t_w	pulse width		4.87	6.82	11.3	ms
$V_{th(L)(PORADJ)}$	LOW-level threshold voltage on pin PORADJ	external resistors on PORADJ	0.75	0.84	0.93	V
$V_{hys(PORADJ)}$	hysteresis voltage on pin PORADJ		20	75	130	mV
I_L	leakage current	pin PORADJ	-1	-	+1	μA
V_{REG}						
V_o	output voltage		1.62	1.8	1.98	V
Card supply voltage (V_{CC})^[1]						
C_{dec}	decoupling capacitance	connected on V_{CC} (220 nF + 220 nF 10 %)	396	-	484	nF
V_o	output voltage	inactive mode; no load	-0.1	-	+0.1	V
		inactive mode; $I_o = 1\text{ mA}$	-0.1	-	+0.3	V
I_o	output current	inactive mode at grounded pin V_{CC}	-	-	-1	mA
V_{CC}	supply voltage	active mode; $I_{CC} < 65\text{ mA DC}$	2.85	3.05	3.15	V
		active mode; current pulses of 40 nA/s with $I_{CC} < 200\text{ mA}$, $t < 400\text{ ns}$;	2.76	-	3.20	V
$V_{ripple(p-p)}$	peak-to-peak ripple voltage	from 20 kHz to 200 MHz	-	-	150	mV
I_{CC}	supply current		-	-	65	mA
SR	slew rate		0.030	0.075	0.120	V/ μs
External clock (CLKIN)						
$f_{ext(CLKIN)}$	external frequency on pin CLKIN		1	-	20	MHz
δ	duty cycle		48	-	52	%
V_{IL}	LOW-level input voltage		-0.3	-	$0.3V_{DD}$	V

Table 7. Characteristics of IC ...continued

$V_{DD} = 3.3\text{ V}$; Clock in = 10 MHz; GND = 0 V; $T_{amb} = 25\text{ }^{\circ}\text{C}$; unless otherwise specified

Symbol	Parameter	Conditions	Min	Typ	Max	Unit
V_{IH}	HIGH-level input voltage		$0.7V_{DD}$	-	$V_{DD} + 0.3$	V
$t_{r(i)}$	input rise time	$f_{CLK} = f_{CLKIN} = 20\text{ MHz}$ on external clock	-	-	4	ns
		$f_{CLK} = f_{CLKIN} = 10\text{ MHz}$ on external clock	-	-	8	ns
		$f_{CLK} = f_{CLKIN} = 5\text{ MHz}$ on external clock	-	-	16	ns
$t_{f(i)}$	input fall time	$f_{CLK} = f_{CLKIN} = 20\text{ MHz}$ on external clock	-	-	4	ns
		$f_{CLK} = f_{CLKIN} = 10\text{ MHz}$ on external clock	-	-	8	ns
		$f_{CLK} = f_{CLKIN} = 5\text{ MHz}$ on external clock	-	-	16	ns
Data lines (pins I/O, I/OUC, AUX1, AUX2, AUX1UC, AUX2UC)						
t_d	delay time	falling edge on pins I/O and I/OUC or I/OUC and I/O	-	-	200	ns
$t_{w(pu)}$	pull-up pulse width		200	-	400	ns
f_{max}	maximum frequency	on data lines	-	-	1	MHz
C_i	input capacitance	on data lines	-	-	10	pF
Data lines to the card (pins I/O, AUX1, AUX2); (Integrated 10 kΩ pull-up resistor connected to V_{CC})						
V_o	output voltage	inactive mode; no load	0	-	0.1	V
		inactive mode; $I_o = 1\text{ mA}$	0	-	0.3	V
I_o	output current	inactive mode at grounded pin I/O	-	-	-1	mA
V_{OL}	LOW-level output voltage	$I_{OL} = 1\text{ mA}$	0	-	0.3	V
		$I_{OL} \geq 15\text{ mA}$	$V_{CC} - 0.4$	-	V_{CC}	V
V_{OH}	HIGH-level output voltage	No DC load	$0.9V_{CC}$	-	$V_{CC} + 0.1$	V
		$I_{OH} < -40\text{ }\mu\text{A}$	$0.8V_{CC}$	-	$V_{CC} + 0.1$	V
		$I_{OH} \geq -15\text{ mA}$	0	-	0.4	V
V_{IL}	LOW-level input voltage		-0.3	-	+0.8	V
V_{IH}	HIGH-level input voltage		$0.6V_{CC}$	-	V_{CC}	V
V_{hys}	hysteresis voltage	on I/O	30	115	200	mV
I_{IL}	LOW-level input current	on I/O; $V_{IL} = 0$	-	-	600	μA
I_{IH}	HIGH-level input current	on I/O; $V_{IH} = V_{CC}$	-	-	10	μA
$t_{r(i)}$	input rise time	from $V_{IL\text{ max}}$ to $V_{IH\text{ min}}$	-	-	1.2	μs
$t_{f(i)}$	input fall time	from $V_{IL\text{ max}}$ to $V_{IH\text{ min}}$	-	-	1.2	μs
$t_{r(o)}$	output rise time	$C_L \leq 80\text{ pF}$; 10 % to 90 % from 0 to V_{CC}	-	-	0.1	μs
$t_{f(o)}$	output fall time	$C_L \leq 80\text{ pF}$; 10 % to 90 % from 0 to V_{CC}	-	-	0.1	μs
R_{pu}	pull-up resistance	connected to V_{CC}	8 k	10 k	12 k	Ω
I_{pu}	pull-up current	$V_{OH} = 0.9 V_{CC}$, $C = 80\text{ pF}$	-20	-12	-4	mA

Table 7. Characteristics of IC ...continued $V_{DD} = 3.3\text{ V}$; Clock in = 10 MHz; GND = 0 V; $T_{amb} = 25\text{ }^{\circ}\text{C}$; unless otherwise specified

Symbol	Parameter	Conditions	Min	Typ	Max	Unit
V_{high}	high voltage	instantaneous voltage level: 1 pF cross capacitance load between pin I/O and CLK	$0.7V_{CC}$	-	$V_{CC} + 0.3$	V
V_{low}	low voltage	instantaneous voltage level: 1 pF cross capacitance load between pin I/O and CLK	-0.3	-	+0.4	V
Data lines to the system; pins I/OμC, AUX1μC, AUX2μC (Integrated 10kΩ pull-up resistor to V_{DD})						
V_{OL}	LOW-level output voltage	$I_{OL} = 1\text{ mA}$	0	-	0.3	V
V_{OH}	HIGH-level output voltage	No DC load	$0.9V_{DD}$	-	$V_{DD} + 0.1$	V
		$I_{OH} \leq 40\text{ }\mu\text{A}$	$0.75V_{DD}$	-	$V_{DD} + 0.1$	V
V_{IL}	LOW-level input voltage		-0.3	-	$0.3V_{DD}$	V
V_{IH}	HIGH-level input voltage		$0.7V_{DD}$	-	$V_{DD} + 0.3$	V
V_{hys}	hysteresis voltage	on I/Ouc	$0.05V_{DD}$	-	$0.25V_{DD}$	V
I_{LH}	HIGH-level leakage current	$V_{IH} = V_{DD}$	-	-	10	μA
I_{IL}	LOW-level input current	$V_{IL} = 0$	-	-	600	μA
R_{pu}	pull-up resistance	connected to V_{DD}	8	11	14	k Ω
$t_{r(i)}$	input rise time	from V_{IL} max to V_{IH} min	-	-	1.2	μs
$t_{f(i)}$	input fall time	from V_{IL} max to V_{IH} min	-	-	1.2	μs
$t_{r(o)}$	output rise time	$C_L \leq 30\text{ pF}$; 10 % to 90 % from 0 to V_{DD}	-	-	0.1	μs
$t_{f(o)}$	output fall time	$C_L \leq 30\text{ pF}$; 10% to 90% from 0 to V_{DD}	-	-	0.1	μs
I_{pu}	pull-up current	$V_{OH} = 0.9 V_{DD}$, $C = 30\text{ pF}$	-1	-	-	mA
Internal oscillator						
$f_{osc(int)}$	internal oscillator frequency	inactive state: osc(int)_Low	180	300	420	kHz
		active state: osc(int)_High	1.5	2.5	3.5	MHz
Reset output to the card (RST)						
V_o	output voltage	inactive mode; no load	0	-	0.1	V
		inactive mode; $I_o = 1\text{ mA}$	0	-	0.3	V
I_o	output current	inactive mode at grounded pin RST	-	-	-1	mA
t_d	delay time	between RSTIN and RST, RST enabled	-	-	200	ns
V_{OL}	LOW-level output voltage	$I_{OL} = 200\text{ }\mu\text{A}$	0	-	0.2	V
		$I_{OL} = 20\text{ mA}$ (current limit)	$V_{CC} - 0.4$	-	V_{CC}	V
V_{OH}	HIGH-level output voltage	$I_{OH} = -200\text{ }\mu\text{A}$	$0.9V_{CC}$	-	V_{CC}	V
		$I_{OH} = -20\text{ mA}$ (current limit)	0	-	0.4	V
t_r	rise time	$C_L = 100\text{ pF}$	-	-	0.1	μs
t_f	fall time	$C_L = 100\text{ pF}$	-	-	0.1	μs
V_{high}	high voltage	instantaneous voltage level: 1 pF cross capacitance load between pin RST and CLK	$0.85V_{CC}$	-	$V_{CC} + 0.3$	V

Table 7. Characteristics of IC ...continued $V_{DD} = 3.3\text{ V}$; Clock in = 10 MHz; GND = 0 V; $T_{amb} = 25\text{ }^{\circ}\text{C}$; unless otherwise specified

Symbol	Parameter	Conditions	Min	Typ	Max	Unit
V_{low}	low voltage	instantaneous voltage level: 1 pF cross capacitance load between pin RST and CLK	-0.3	-	+0.32	V
Clock output to the card (CLK)						
V_o	output voltage	inactive mode; no load	0	-	0.1	V
		inactive mode; $I_o = 1\text{ mA}$	0	-	0.3	V
I_o	output current	inactive mode at grounded pin CLK	-	-	-1	mA
V_{OL}	LOW-level output voltage	$I_{OL} = 200\text{ }\mu\text{A}$	0	-	0.3	V
		$I_{OL} = 70\text{ mA}$ (current limit)	$V_{CC} - 0.4$	-	V_{CC}	V
V_{OH}	HIGH-level output voltage	$I_{OH} = -200\text{ }\mu\text{A}$	$0.9V_{CC}$	-	V_{CC}	V
		$I_{OH} = -70\text{ mA}$ (current limit)	0	-	0.4	V
t_r	rise time	$C_L = 30\text{ pF}$ [2], $f_{CLK} = 5\text{ MHz}$	-	-	16	ns
		$C_L = 30\text{ pF}$ [2], $f_{CLK} = 10\text{ MHz}$	-	-	8	ns
t_f	fall time	$C_L = 30\text{ pF}$ [2], $f_{CLK} = 5\text{ MHz}$	-	-	16	ns
		$C_L = 30\text{ pF}$ [2], $f_{CLK} = 10\text{ MHz}$	-	-	8	ns
f_{clk}	clock frequency on pin CLK	operational	0	-	10	MHz
δ	duty cycle	$C_L = 30\text{ pF}$ [2]	45	-	55	%
SR	slew rate	rise and fall; $C_L = 30\text{ pF}$	0.12	-	-	V/ns
V_{high}	high voltage	instantaneous voltage level: 1 pF cross capacitance load between pin CLK and RST or CLK and I/O	$0.85V_{CC}$	-	$V_{CC} + 0.3$	V
V_{low}	low voltage	instantaneous voltage level: 1 pF cross capacitance load between pin RST and I/O	-0.3	-	+0.50	V
Control inputs (pins CS, CMDVCCN, CLKDIV, RSTIN, TEST) [3]						
V_{IL}	LOW-level input voltage		-0.3	-	$+0.3V_{DD}$	V
V_{IH}	HIGH-level input voltage		$0.7V_{DD}$	-	$V_{DD} + 0.3$	V
V_{hys}	hysteresis voltage	on control input	$0.05V_{DD}$	-	$0.25V_{DD}$	V
I_{LL}	LOW-level leakage current	$V_{IL} = 0$	-	-	1	μA
I_{LH}	HIGH-level leakage current	$V_{IH} = V_{DD}$	-	-	1	μA
Card presence input (PRESN); PRESN has an integrated pull down resistor [3]						
V_{IL}	LOW-level input voltage		-0.3	-	$0.3V_{DD(INTF)}$	V
V_{IH}	HIGH-level input voltage		$0.7V_{DD}$	-	$V_{DD} + 0.3$	V
V_{hys}	hysteresis voltage		$0.05V_{DD}$	-	$0.1V_{DD}$	V
I_{LL}	LOW-level leakage current	$V_{IL} = 0$	-	-	1	μA
I_{LH}	HIGH-level leakage current	$V_{IH} = V_{DD}$	-	-	5	μA

Table 7. Characteristics of IC ...continued

$V_{DD} = 3.3\text{ V}$; Clock in = 10 MHz; GND = 0 V; $T_{amb} = 25\text{ }^{\circ}\text{C}$; unless otherwise specified

Symbol	Parameter	Conditions	Min	Typ	Max	Unit
OFFN output (pin OFFN is an NMOS drain with a 10 kΩ pull-up resistor to V_{DD})						
V _{OL}	LOW-level output voltage	I _{OL} = 2 mA	0	-	0.3	V
V _{OH}	HIGH-level output voltage	I _{OH} = -15 μA	0.75V _{DD}	-	-	V
R _{pu}	pull-up resistance		8	10	13	kΩ
Protections and limitations						
T _{sd}	shutdown temperature	at die	-	150	-	°C
I _{Olim}	output current limit	on pin I/O, AUX1 and AUX2	-15	-	+15	mA
		on pin CLK	-70	-	+70	mA
		on pin RST	-20	-	+20	mA
		on pin V _{CC}	94	130	160	mA
I _{sd}	shutdown current	on pin V _{CC}	90	120	150	mA
Timing						
t _{act}	activation time	see Figure 6 on page 9	182	-	554	μs
t _{deact}	deactivation time	see Figure 7 on page 10	35	-	250	μs
t _{act}	activation time	time of the window for sending CLK to the card with CLKIN				
		t _{act(start)} = t3; see Figure 6 on page 9	182	256	426	μs
		t _{act(end)} = t5; see Figure 6 on page 9	237	332	554	μs
t _{deb}	debounce time	on pin PRESN	3.04	4.26	7.11	ms

- [1] To meet these specifications, V_{CC} is decoupled to CGND using two ceramic multilayer capacitors of low ESR with both capacitors having a value of 220 nF.
- [2] The transition time and the duty factor definitions are shown in [Figure 10 on page 18](#); $d = t1/(t1 + t2)$
- [3] PRESN and CMDVCCN are active LOW; RSTIN is active HIGH; for CLKDIV see [Table 4](#).

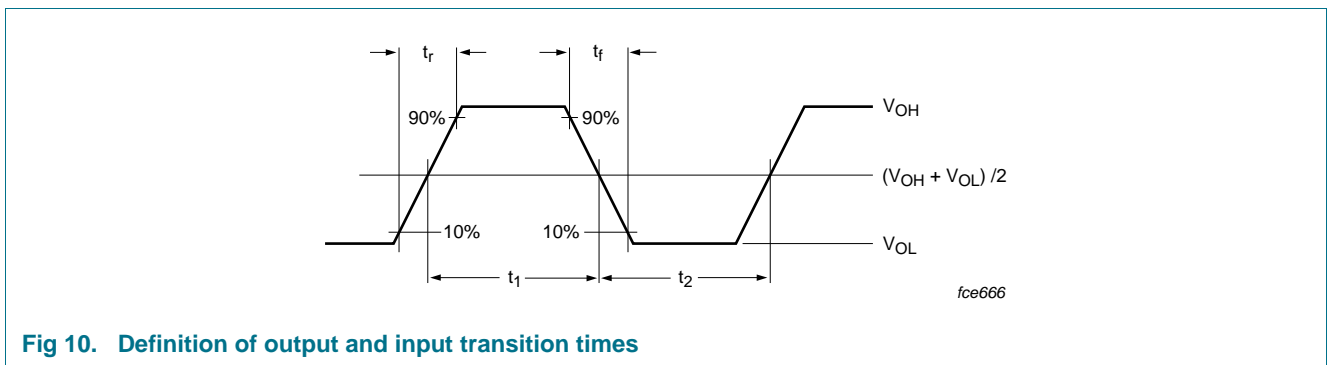


Fig 10. Definition of output and input transition times

12. Application information

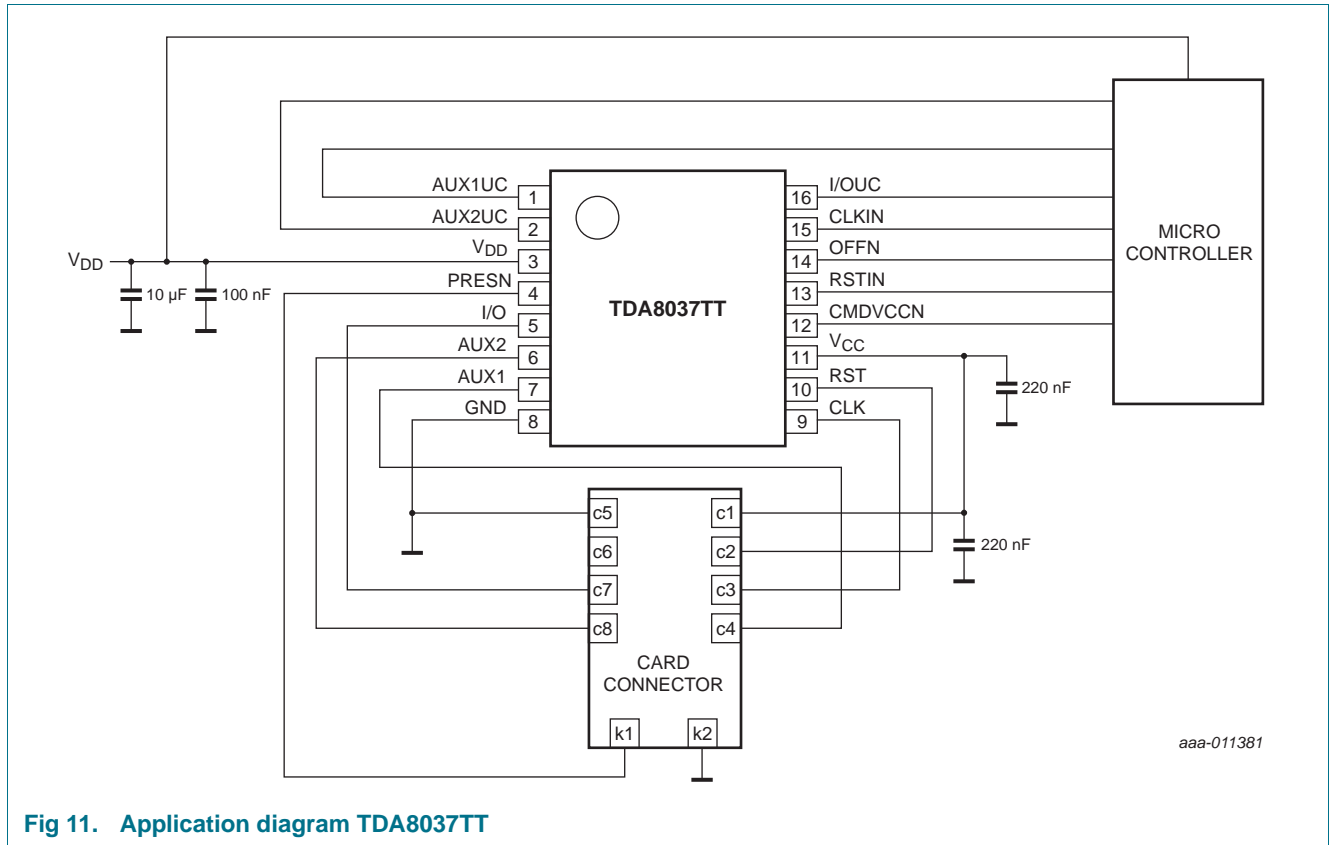


Fig 11. Application diagram TDA8037TT

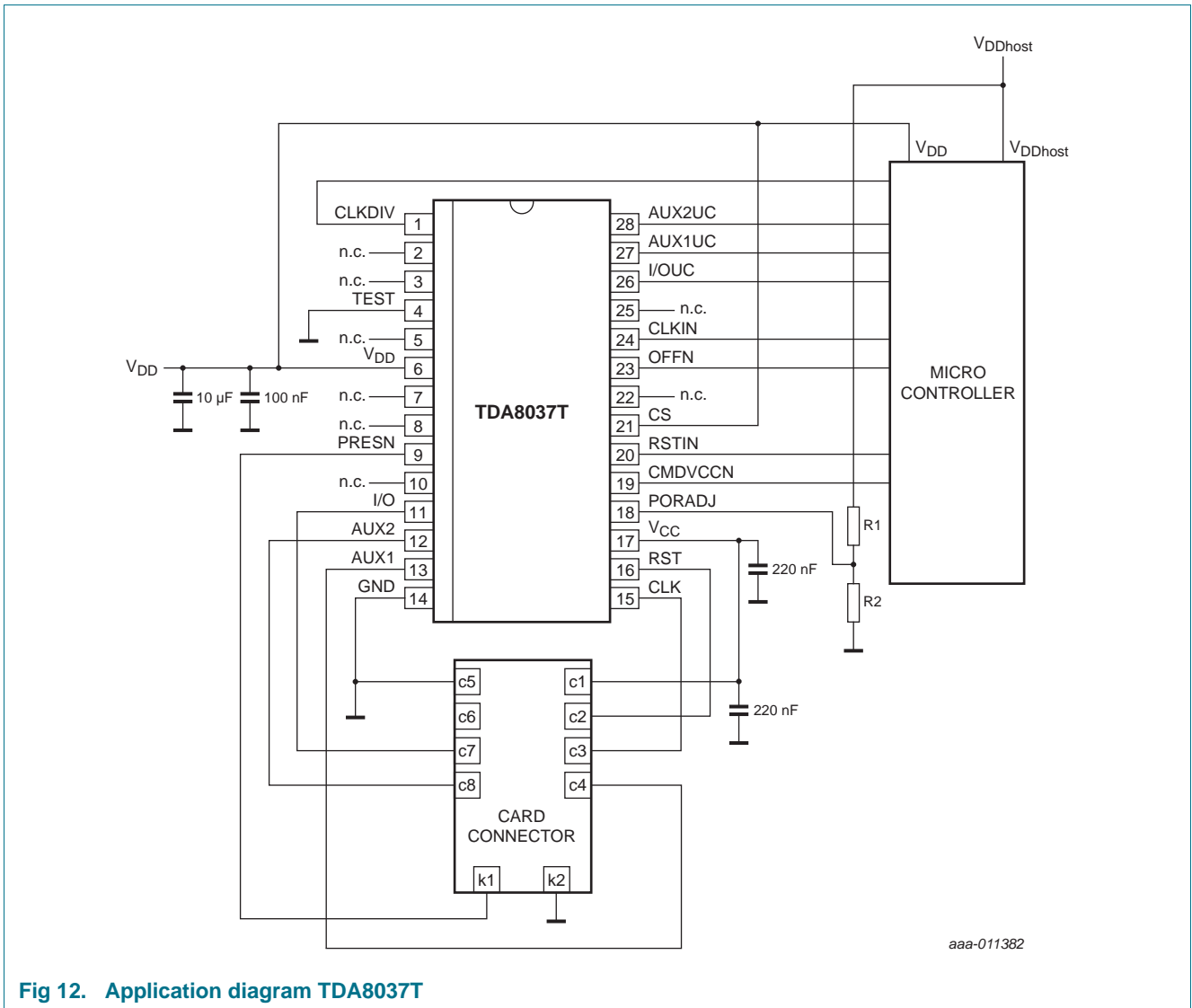


Fig 12. Application diagram TDA8037T

13. Package outline

SO28: plastic small outline package; 28 leads; body width 7.5 mm

SOT136-1

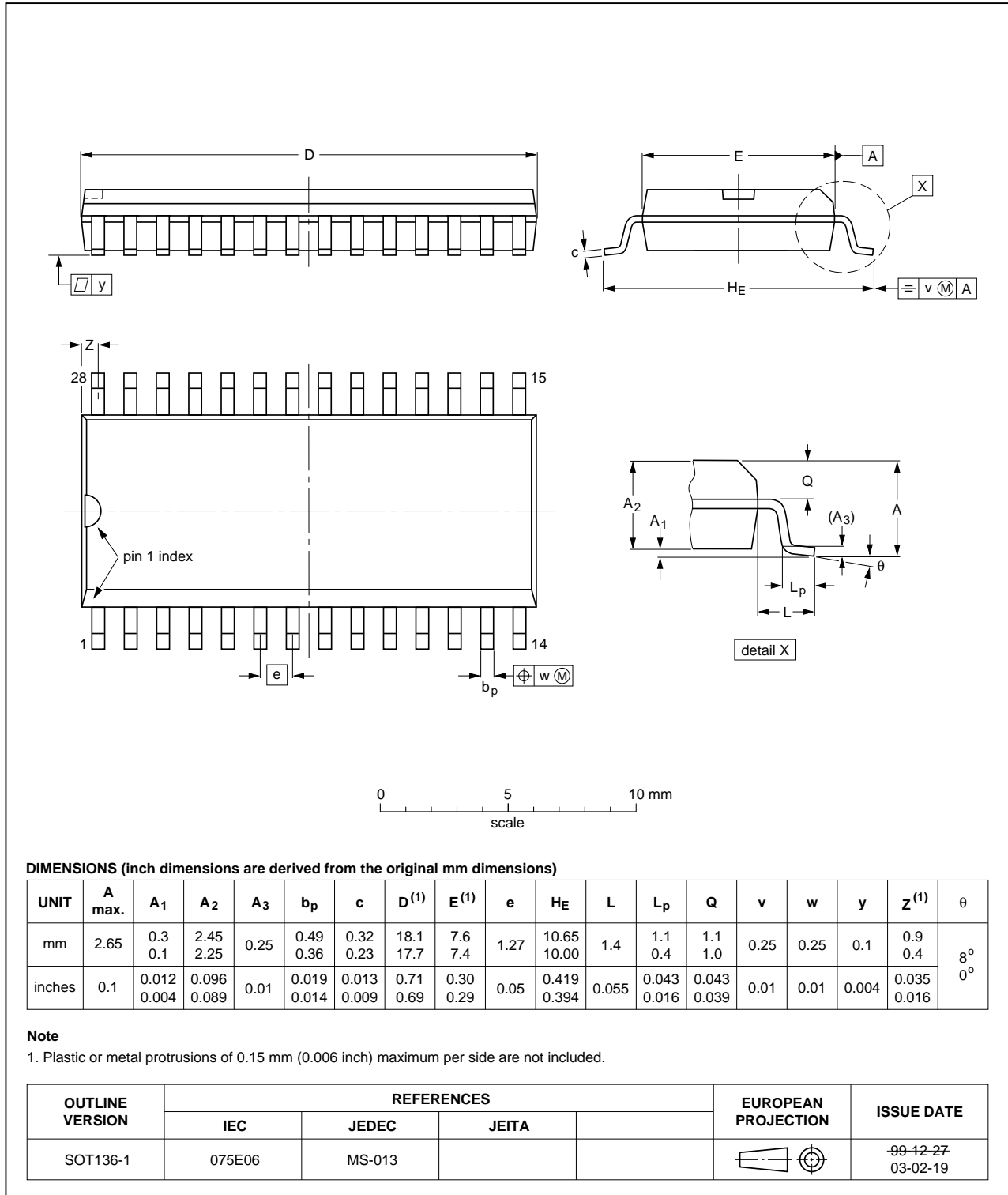


Fig 13. Package outline SOT136-1

TSSOP16: plastic thin shrink small outline package; 16 leads; body width 4.4 mm

SOT403-1

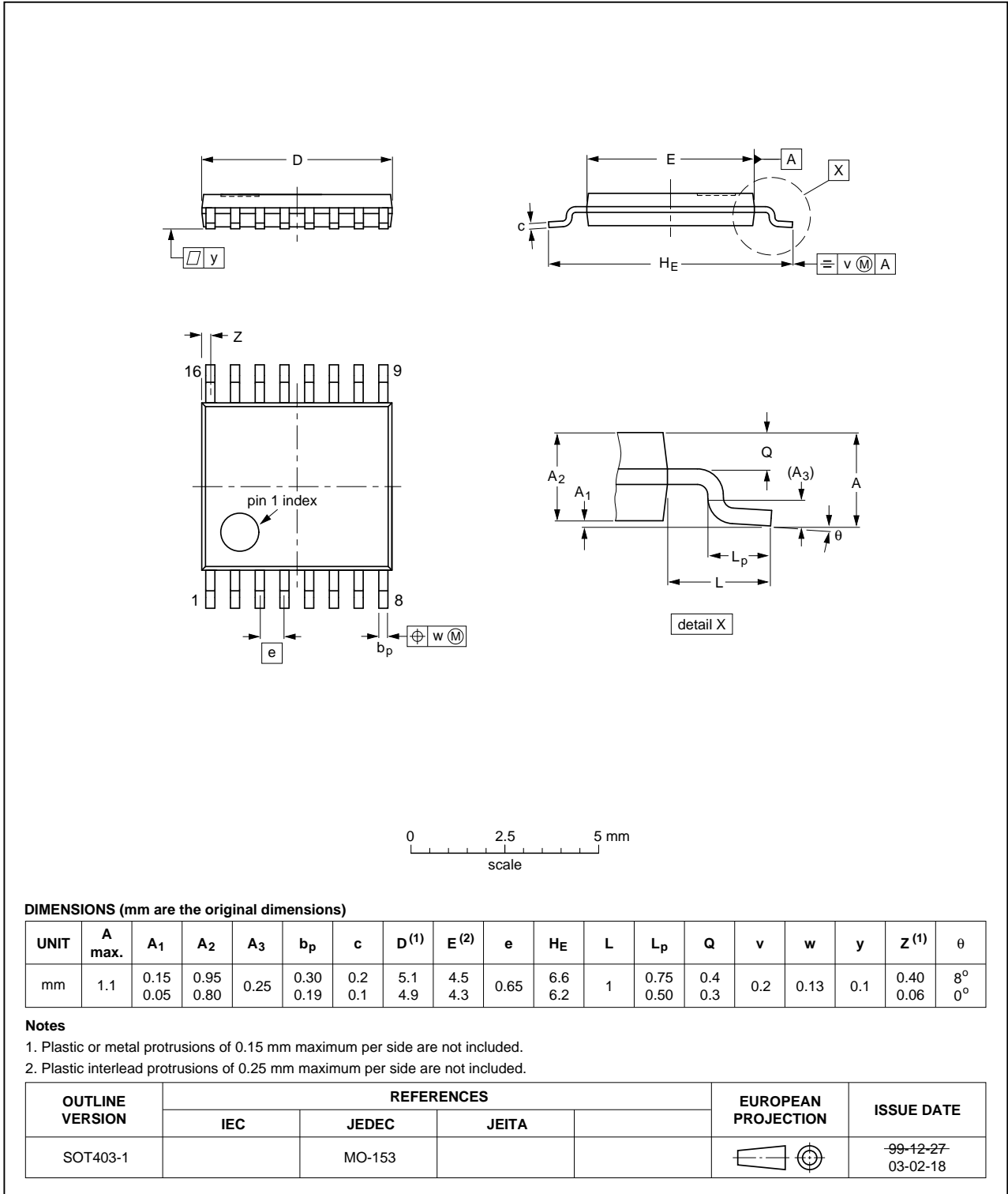


Fig 14. Package outline SOT403-1

14. Soldering of SMD packages

This text provides a very brief insight into a complex technology. A more in-depth account of soldering ICs can be found in Application Note *AN10365 "Surface mount reflow soldering description"*.

14.1 Introduction to soldering

Soldering is one of the most common methods through which packages are attached to Printed Circuit Boards (PCBs), to form electrical circuits. The soldered joint provides both the mechanical and the electrical connection. There is no single soldering method that is ideal for all IC packages. Wave soldering is often preferred when through-hole and Surface Mount Devices (SMDs) are mixed on one printed wiring board; however, it is not suitable for fine pitch SMDs. Reflow soldering is ideal for the small pitches and high densities that come with increased miniaturization.

14.2 Wave and reflow soldering

Wave soldering is a joining technology in which the joints are made by solder coming from a standing wave of liquid solder. The wave soldering process is suitable for the following:

- Through-hole components
- Leaded or leadless SMDs, which are glued to the surface of the printed circuit board

Not all SMDs can be wave soldered. Packages with solder balls, and some leadless packages which have solder lands underneath the body, cannot be wave soldered. Also, leaded SMDs with leads having a pitch smaller than ~0.6 mm cannot be wave soldered, due to an increased probability of bridging.

The reflow soldering process involves applying solder paste to a board, followed by component placement and exposure to a temperature profile. Leaded packages, packages with solder balls, and leadless packages are all reflow solderable.

Key characteristics in both wave and reflow soldering are:

- Board specifications, including the board finish, solder masks and vias
- Package footprints, including solder thieves and orientation
- The moisture sensitivity level of the packages
- Package placement
- Inspection and repair
- Lead-free soldering versus SnPb soldering

14.3 Wave soldering

Key characteristics in wave soldering are:

- Process issues, such as application of adhesive and flux, clinching of leads, board transport, the solder wave parameters, and the time during which components are exposed to the wave
- Solder bath specifications, including temperature and impurities

14.4 Reflow soldering

Key characteristics in reflow soldering are:

- Lead-free versus SnPb soldering; note that a lead-free reflow process usually leads to higher minimum peak temperatures (see [Figure 15](#)) than a SnPb process, thus reducing the process window
- Solder paste printing issues including smearing, release, and adjusting the process window for a mix of large and small components on one board
- Reflow temperature profile; this profile includes preheat, reflow (in which the board is heated to the peak temperature) and cooling down. It is imperative that the peak temperature is high enough for the solder to make reliable solder joints (a solder paste characteristic). In addition, the peak temperature must be low enough that the packages and/or boards are not damaged. The peak temperature of the package depends on package thickness and volume and is classified in accordance with [Table 8](#) and [9](#)

Table 8. SnPb eutectic process (from J-STD-020D)

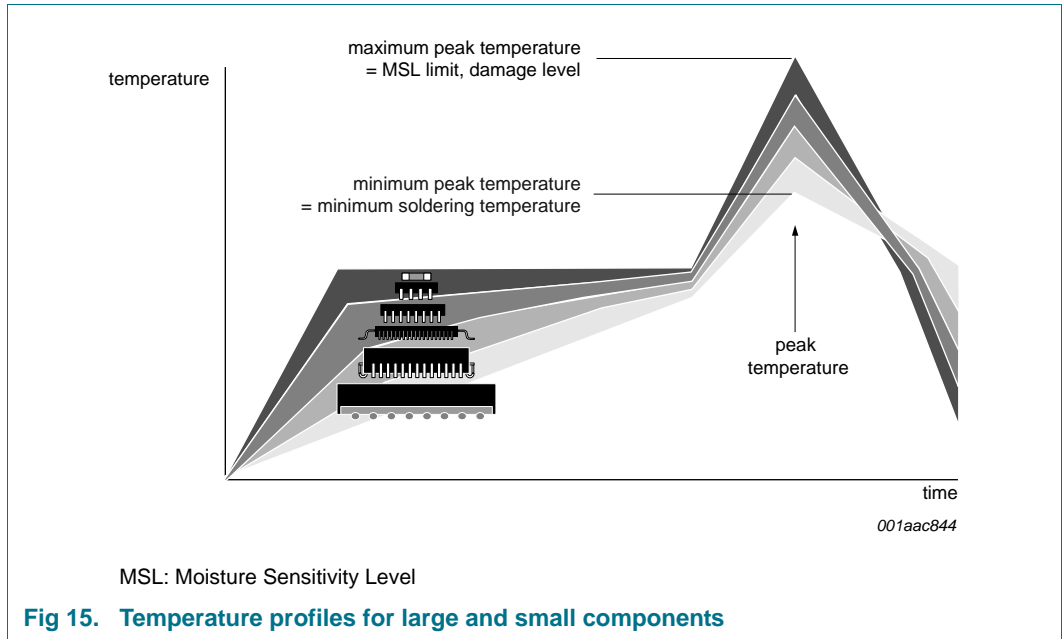
Package thickness (mm)	Package reflow temperature (°C)	
	Volume (mm ³)	
	< 350	≥ 350
< 2.5	235	220
≥ 2.5	220	220

Table 9. Lead-free process (from J-STD-020D)

Package thickness (mm)	Package reflow temperature (°C)		
	Volume (mm ³)		
	< 350	350 to 2000	> 2000
< 1.6	260	260	260
1.6 to 2.5	260	250	245
> 2.5	250	245	245

Moisture sensitivity precautions, as indicated on the packing, must be respected at all times.

Studies have shown that small packages reach higher temperatures during reflow soldering, see [Figure 15](#).



For further information on temperature profiles, refer to Application Note AN10365 “Surface mount reflow soldering description”.

15. Abbreviations

Table 10. Abbreviations

Acronym	Description
ESD	ElectroStatic Discharge

16. Revision history

Table 11. Revision history

Document ID	Release date	Data sheet status	Change notice	Supersedes
TDA8037 v.1.2	20160630	Product data sheet		TDA8037 v.1.1
Modifications:	<ul style="list-style-type: none"> EMVCo 4.3 compliance added Table 7 “Characteristics of IC”: values of “HIGH-level output voltage” and “HIGH-level input voltage” updated 			
TDA8037 v.1.1	20141117	Product data sheet	-	TDA8037 v.1
Modifications:	<ul style="list-style-type: none"> Table 3 “Pin description”: updated 			
TDA8037 v.1	20141007	Product data sheet	-	-

17. Legal information

17.1 Data sheet status

Document status ^{[1][2]}	Product status ^[3]	Definition
Objective [short] data sheet	Development	This document contains data from the objective specification for product development.
Preliminary [short] data sheet	Qualification	This document contains data from the preliminary specification.
Product [short] data sheet	Production	This document contains the product specification.

[1] Please consult the most recently issued document before initiating or completing a design.

[2] The term 'short data sheet' is explained in section "Definitions".

[3] The product status of device(s) described in this document may have changed since this document was published and may differ in case of multiple devices. The latest product status information is available on the Internet at URL <http://www.nxp.com>.

17.2 Definitions

Draft — The document is a draft version only. The content is still under internal review and subject to formal approval, which may result in modifications or additions. NXP Semiconductors does not give any representations or warranties as to the accuracy or completeness of information included herein and shall have no liability for the consequences of use of such information.

Short data sheet — A short data sheet is an extract from a full data sheet with the same product type number(s) and title. A short data sheet is intended for quick reference only and should not be relied upon to contain detailed and full information. For detailed and full information see the relevant full data sheet, which is available on request via the local NXP Semiconductors sales office. In case of any inconsistency or conflict with the short data sheet, the full data sheet shall prevail.

Product specification — The information and data provided in a Product data sheet shall define the specification of the product as agreed between NXP Semiconductors and its customer, unless NXP Semiconductors and customer have explicitly agreed otherwise in writing. In no event however, shall an agreement be valid in which the NXP Semiconductors product is deemed to offer functions and qualities beyond those described in the Product data sheet.

17.3 Disclaimers

Limited warranty and liability — Information in this document is believed to be accurate and reliable. However, NXP Semiconductors does not give any representations or warranties, expressed or implied, as to the accuracy or completeness of such information and shall have no liability for the consequences of use of such information. NXP Semiconductors takes no responsibility for the content in this document if provided by an information source outside of NXP Semiconductors.

In no event shall NXP Semiconductors be liable for any indirect, incidental, punitive, special or consequential damages (including - without limitation - lost profits, lost savings, business interruption, costs related to the removal or replacement of any products or rework charges) whether or not such damages are based on tort (including negligence), warranty, breach of contract or any other legal theory.

Notwithstanding any damages that customer might incur for any reason whatsoever, NXP Semiconductors' aggregate and cumulative liability towards customer for the products described herein shall be limited in accordance with the *Terms and conditions of commercial sale* of NXP Semiconductors.

Right to make changes — NXP Semiconductors reserves the right to make changes to information published in this document, including without limitation specifications and product descriptions, at any time and without notice. This document supersedes and replaces all information supplied prior to the publication hereof.

Suitability for use — NXP Semiconductors products are not designed, authorized or warranted to be suitable for use in life support, life-critical or safety-critical systems or equipment, nor in applications where failure or malfunction of an NXP Semiconductors product can reasonably be expected to result in personal injury, death or severe property or environmental damage. NXP Semiconductors and its suppliers accept no liability for inclusion and/or use of NXP Semiconductors products in such equipment or applications and therefore such inclusion and/or use is at the customer's own risk.

Applications — Applications that are described herein for any of these products are for illustrative purposes only. NXP Semiconductors makes no representation or warranty that such applications will be suitable for the specified use without further testing or modification.

Customers are responsible for the design and operation of their applications and products using NXP Semiconductors products, and NXP Semiconductors accepts no liability for any assistance with applications or customer product design. It is customer's sole responsibility to determine whether the NXP Semiconductors product is suitable and fit for the customer's applications and products planned, as well as for the planned application and use of customer's third party customer(s). Customers should provide appropriate design and operating safeguards to minimize the risks associated with their applications and products.

NXP Semiconductors does not accept any liability related to any default, damage, costs or problem which is based on any weakness or default in the customer's applications or products, or the application or use by customer's third party customer(s). Customer is responsible for doing all necessary testing for the customer's applications and products using NXP Semiconductors products in order to avoid a default of the applications and the products or of the application or use by customer's third party customer(s). NXP does not accept any liability in this respect.

Limiting values — Stress above one or more limiting values (as defined in the Absolute Maximum Ratings System of IEC 60134) will cause permanent damage to the device. Limiting values are stress ratings only and (proper) operation of the device at these or any other conditions above those given in the Recommended operating conditions section (if present) or the Characteristics sections of this document is not warranted. Constant or repeated exposure to limiting values will permanently and irreversibly affect the quality and reliability of the device.

Terms and conditions of commercial sale — NXP Semiconductors products are sold subject to the general terms and conditions of commercial sale, as published at <http://www.nxp.com/profile/terms>, unless otherwise agreed in a valid written individual agreement. In case an individual agreement is concluded only the terms and conditions of the respective agreement shall apply. NXP Semiconductors hereby expressly objects to applying the customer's general terms and conditions with regard to the purchase of NXP Semiconductors products by customer.

No offer to sell or license — Nothing in this document may be interpreted or construed as an offer to sell products that is open for acceptance or the grant, conveyance or implication of any license under any copyrights, patents or other industrial or intellectual property rights.

Export control — This document as well as the item(s) described herein may be subject to export control regulations. Export might require a prior authorization from competent authorities.

Quick reference data — The Quick reference data is an extract of the product data given in the Limiting values and Characteristics sections of this document, and as such is not complete, exhaustive or legally binding.

Non-automotive qualified products — Unless this data sheet expressly states that this specific NXP Semiconductors product is automotive qualified, the product is not suitable for automotive use. It is neither qualified nor tested in accordance with automotive testing or application requirements. NXP Semiconductors accepts no liability for inclusion and/or use of non-automotive qualified products in automotive equipment or applications.

In the event that customer uses the product for design-in and use in automotive applications to automotive specifications and standards, customer (a) shall use the product without NXP Semiconductors' warranty of the

product for such automotive applications, use and specifications, and (b) whenever customer uses the product for automotive applications beyond NXP Semiconductors' specifications such use shall be solely at customer's own risk, and (c) customer fully indemnifies NXP Semiconductors for any liability, damages or failed product claims resulting from customer design and use of the product for automotive applications beyond NXP Semiconductors' standard warranty and NXP Semiconductors' product specifications.

Translations — A non-English (translated) version of a document is for reference only. The English version shall prevail in case of any discrepancy between the translated and English versions.

17.4 Trademarks

Notice: All referenced brands, product names, service names and trademarks are the property of their respective owners.

18. Contact information

For more information, please visit: <http://www.nxp.com>

For sales office addresses, please send an email to: salesaddresses@nxp.com

19. Tables

Table 1. Quick reference data	2	Table 7. Characteristics of IC	14
Table 2. Ordering information	2	Table 8. SnPb eutectic process (from J-STD-020D)	24
Table 3. Pin description	5	Table 9. Lead-free process (from J-STD-020D)	24
Table 4. Clock configuration (SO28 only)	7	Table 10. Abbreviations	25
Table 5. Limiting values	13	Table 11. Revision history	25
Table 6. Thermal characteristics	13		

20. Figures

Fig 1. Block diagram	3
Fig 2. Pin configuration TSSOP16	4
Fig 3. Pin configuration SO28	4
Fig 4. Block voltage supervisor	6
Fig 5. Voltage supervisor	7
Fig 6. Activation sequence at t3	9
Fig 7. Deactivation sequence	10
Fig 8. Emergency deactivation sequence (card extraction)	12
Fig 9. Behavior of OFFN, CMDVCCN, PRESN and V _{CC}	12
Fig 10. Definition of output and input transition times	18
Fig 11. Application diagram TDA8037TT	19
Fig 12. Application diagram TDA8037T	20
Fig 13. Package outline SOT136-1	21
Fig 14. Package outline SOT403-1	22
Fig 15. Temperature profiles for large and small components	25

21. Contents

1	General description	1	21	Contents	29
2	Features and benefits	1			
2.1	Protection of the contact smart card	1			
2.2	Easy integration into your contact reader	1			
2.2.1	Other	2			
3	Applications	2			
4	Quick reference data	2			
5	Ordering information	2			
6	Block diagram	3			
7	Pinning information	4			
7.1	Pinning	4			
7.2	Pinning	4			
7.3	Pin description	5			
8	Functional description	6			
8.1	Power supply	6			
8.2	Voltage supervisor	6			
8.3	Clock circuitry	7			
8.4	I/O circuitry	7			
8.5	CS control	8			
8.6	Shutdown mode	8			
8.7	Activation sequence	9			
8.8	Deactivation sequence	10			
8.9	V _{CC} regulator	10			
8.10	Fault detection	11			
9	Limiting values	13			
10	Thermal characteristics	13			
11	Characteristics	14			
12	Application information	19			
13	Package outline	21			
14	Soldering of SMD packages	23			
14.1	Introduction to soldering	23			
14.2	Wave and reflow soldering	23			
14.3	Wave soldering	23			
14.4	Reflow soldering	24			
15	Abbreviations	25			
16	Revision history	25			
17	Legal information	26			
17.1	Data sheet status	26			
17.2	Definitions	26			
17.3	Disclaimers	26			
17.4	Trademarks	27			
18	Contact information	27			
19	Tables	28			
20	Figures	28			

Please be aware that important notices concerning this document and the product(s) described herein, have been included in section 'Legal information'.

© NXP Semiconductors N.V. 2016.

All rights reserved.

For more information, please visit: <http://www.nxp.com>

For sales office addresses, please send an email to: salesaddresses@nxp.com

Date of release: 30 June 2016

Document identifier: TDA8037

X-ON Electronics

Largest Supplier of Electrical and Electronic Components

Click to view similar products for [Interface - Specialised category](#):

Click to view products by [NXP manufacturer](#):

Other Similar products are found below :

[CY7C910-51LMB](#) [MC33689DPEWR2](#) [MC33975ATEKR2](#) [MEC1632-AUE](#) [NVT4555UKZ](#) [RKSAS4](#) [HMC677G32](#) [LPC47N207-JV](#) [FTP-637DSL633R](#) [SM712GX04LF04-BA](#) [MC33689DPEW](#) [PCA9704PWJ](#) [MCW1001A-I/SS](#) [HOA6241-001](#) [SC74HC4066ADTR2G](#) [AS3935-BQFT](#) [NCN5120MNTWG](#) [NCN5150DR2G](#) [NCN8025MTTBG](#) [C100N50Z4A](#) [DG407AK/883B](#) [SRT2-ATT01](#) [TDA8035HN/C1/S1J](#) [LTC1694CS5#TRMPBF](#) [TLE9221SXXUMA2](#) [DS90UB947TRGCRQ1](#) [NCS2300MUTAG](#) [HMC677LP5E](#) [HMC677LP5ETR](#) [LTC1756EGN#PBF](#) [LTC1955EUH#PBF](#) [LT3669EUFD-2#PBF](#) [LTC6820HMS#3ZZTRPBF](#) [MXL1543BCAI](#) [MAX3170CAI+](#) [XL1192D](#) [TLE9221SX](#) [CP82C59AZ](#) [KTU1109EFAA-TR](#) [CH368L](#) [CH7307C-DEF](#) [LTC1694CS5#TRPBF](#) [LTC1694IS5#TRM](#) [LTS 25-NP](#) [73S8024RN-20IMF](#) [73S8024RN-IL/F](#) [78P2352-IGT/F](#) [DS2406+](#) [DS2413P+](#) [DS2413P+T&R](#)